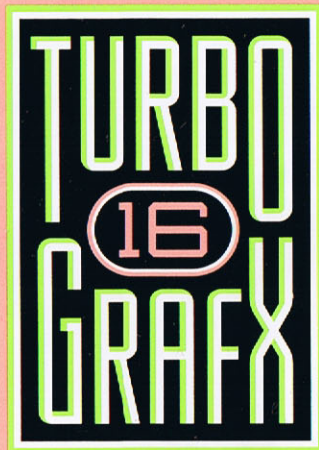


INSTRUCTIONS



ENTERTAINMENT SUPERSYSTEM

Wait a Second!

Before you connect your TURBOGRAFX SuperSystem and dive into the “turbo-charged” action, do three things:

- read these instructions
- understand the precautions on page 11
- save all receipts, cartons, and packing material for warranty purposes.

OK. Let's go!

CAUTION—ELECTRICALLY OPERATED PRODUCT:

Not recommended for children under 6 years of age. As with all electric products, precautions should be observed during handling and use to prevent electric shock.



The TURBOGRAFX Seal is your assurance of quality, reliability, and great entertainment value. Be sure to look for it whenever you shop for software and accessories for your TURBOGRAFX Entertainment SuperSystem. Products that don't carry this seal are not guaranteed to meet NEC's high standards of excellence.

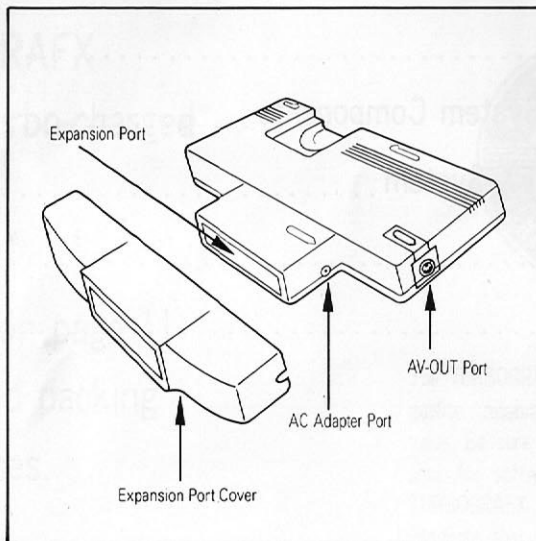
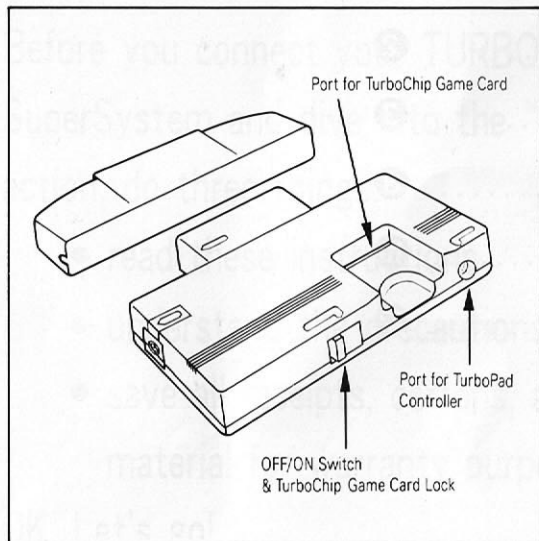
Contents

What's in the Box	2
Connecting TURBOGRAFX System Components	3
Operating Your TURBOGRAFX System	8
Care and Precautions	10
Troubleshooting	12

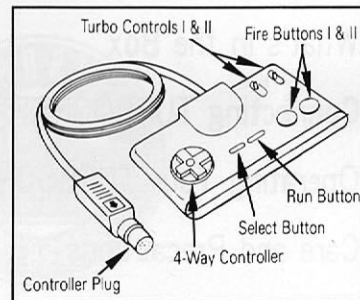
Note: The connected TV should be PAL System receiver

What's in the Box?

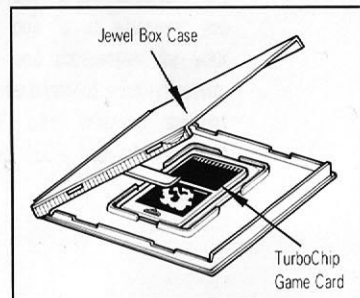
TURBOGRAFX Unit



TurboPad Controller



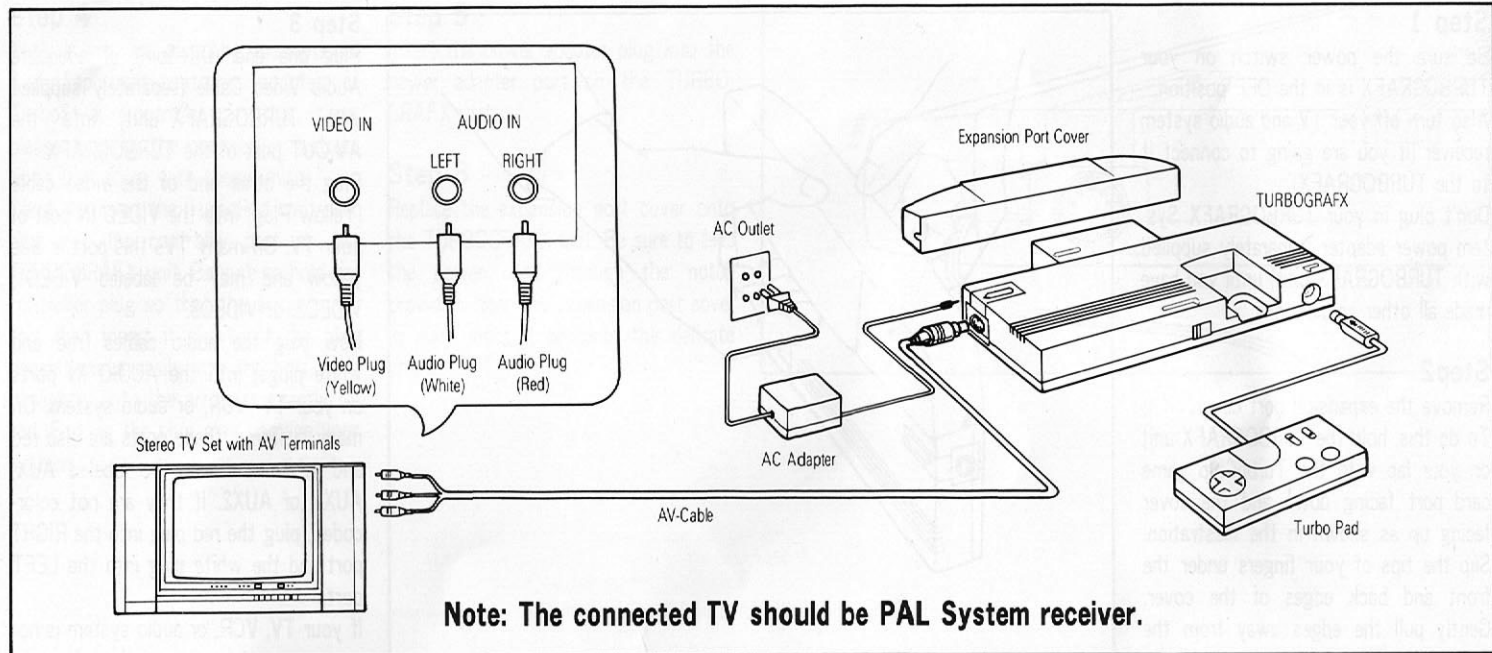
Bundling Game Soft



Connecting TURBOGRAFX System Components

Note: AC Adapter and AV Cable are separately supplied with TURBOGRAFX unit.

A. Connecting to the TV with AV terminals.



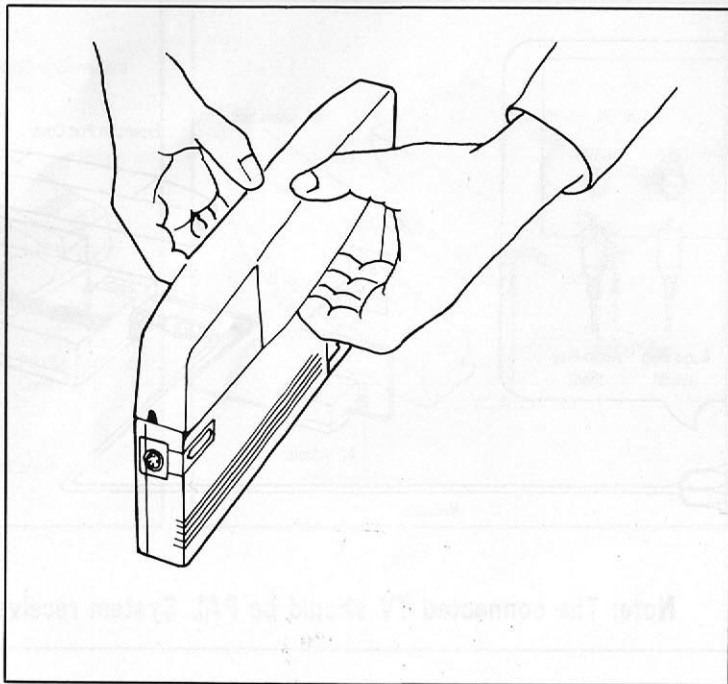
Step 1

Be sure the power switch on your TURBOGRAFX is in the OFF position. Also turn off your TV and audio system receiver (if you are going to connect it to the TURBOGRAFX).

Don't plug in your TURBOGRAFX System power adapter (separately supplied with TURBOGRAFX unit) until you have made all other connections.

Step 2

Remove the expansion port cover. To do this, hold the TURBOGRAFX unit on your lap with the TurboChip game card port facing down and the cover facing up as shown in the illustration. Slip the tips of your fingers under the front and back edges of the cover. Gently pull the edges away from the TURBOGRAFX unit and lift the cover up.



Step 3

Plug one end (DIN-5pin) of adequate Audio Video Cable (separately supplied with TURBOGRAFX unit) into the AV-OUT port of the TURBOGRAFX.

Plug the other end of the video cable (Yellow Plug) into the VIDEO IN port of your TV. On many TVs this port is also yellow and may be labeled VIDEO1, VIDEO2, or VIDEO3.

Now plug the audio cables (red and white plugs) into the AUDIO IN ports on your TV, VCR, or audio system. On many systems, these ports are also red and white and may be labeled AUX, AUX1, or AUX2. If they are not color-coded, plug the red plug into the RIGHT port and the white plug into the LEFT port.

If your TV, VCR, or audio system is not a stereo model, connect the left audio cable (white plug) to the AUDIO IN port.

A. Connecting to the TV with AV terminals. (Continued)

Step 4

Note: if you are installing the optional TurboTap multi-controller adapter or TurboStick controller at this time, please refer to the connection instructions that come with those units.

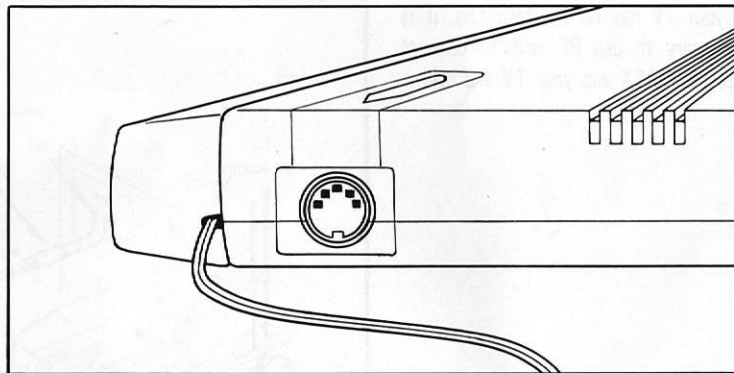
Carefully insert the TurboPad controller plug into the controller port on the TURBOGRAFX unit. Be sure to hold the controller plug so that the arrow is on top, then insert it slowly. If the plug doesn't move easily into the port, turn it slightly until the arrow is exactly on top. Forcing the plug may damage your system.

Step 5

Insert the power adapter plug into the power adapter port on the TURBOGRAFX unit.

Step 6

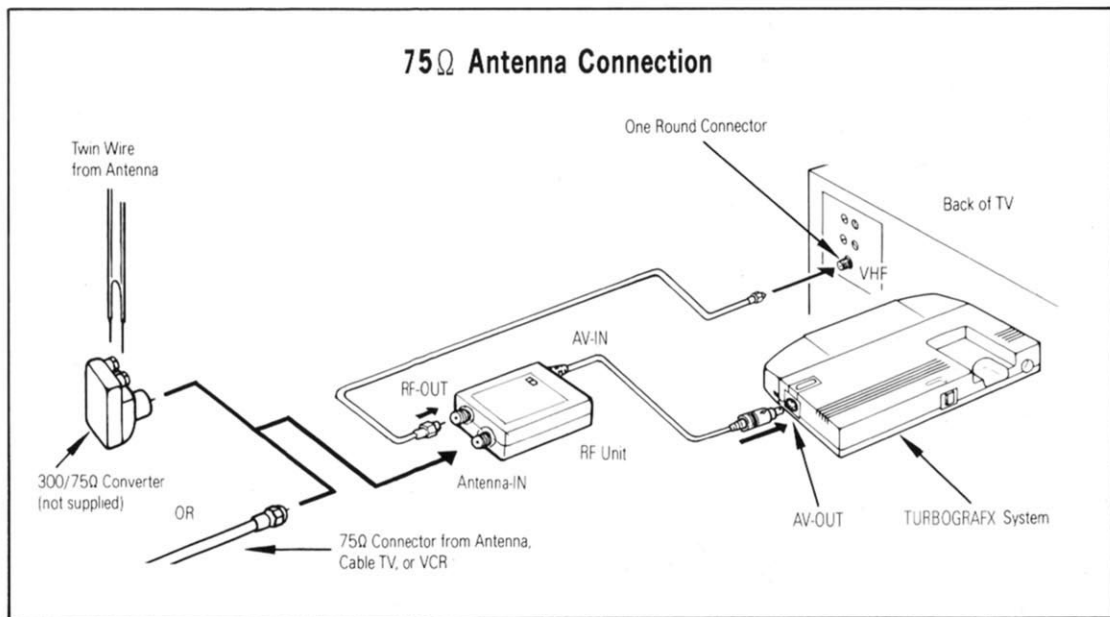
Replace the expansion port cover onto the TURBOGRAFX unit. Be sure to feed the power cord through the notch provided. Keep the expansion port cover in place since it protects the delicate connector.



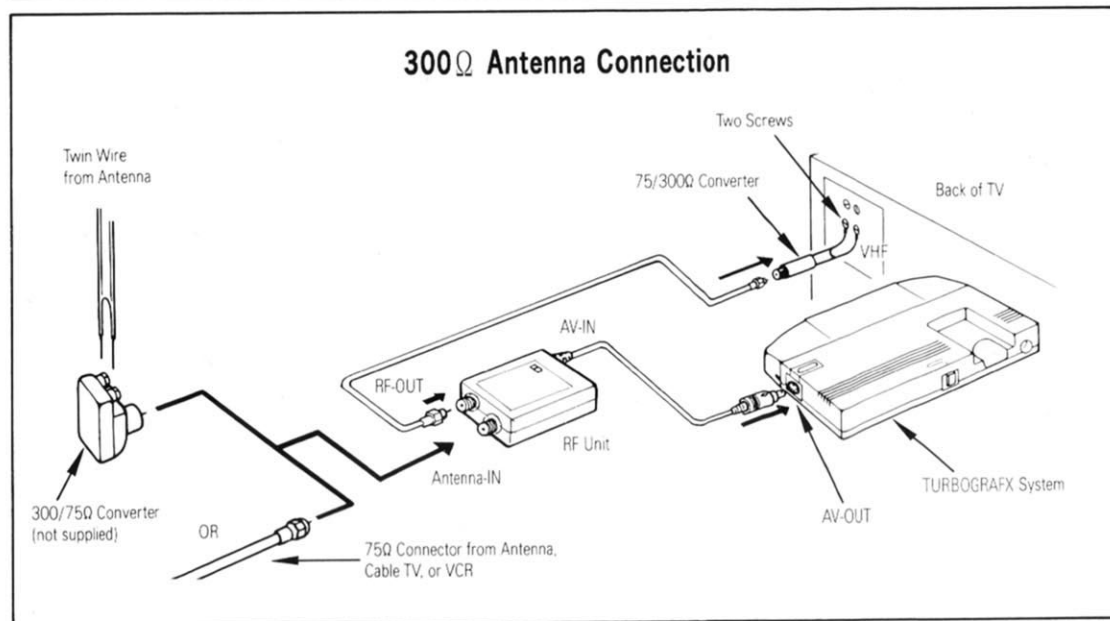
Note: RF unit is also separately supplied with TURBOGRAFX unit.

B. Connecting to the TV without AV terminals.

If your TV has no AV terminals, it is necessary to use RF unit to connect TURBOGRAFX and your TV like below.



B. Connecting to the TV without AV terminals. (Continued)



Operating Your TURBOGRAFX SuperSystem

Powering Up

Step 1

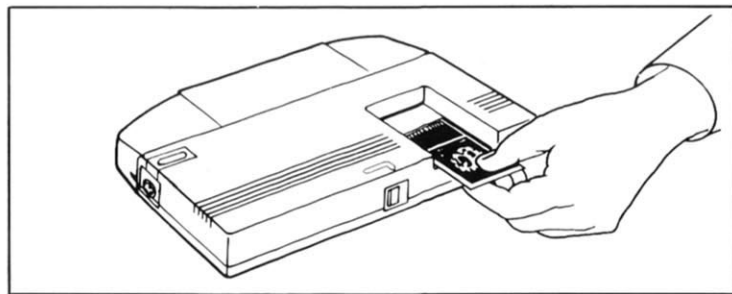
Make sure the TURBOGRAFX unit power switch is turned off and the TurboChip game card port is empty.

Step 2

Plug the AC adapter into a wall outlet. (Remember to unplug the AC adapter when the TURBOGRAFX system isn't in use.)

Step 3

Switch on your TV and other components as you normally do. If necessary select AUX, AUX1, AUX2, VIDEO1, VIDEO2, or VIDEO3 on your TV or audio system to match the ports connected to the TURBOGRAFX system.



Step 4

Take the TurboChip game card out of its plastic case. Hold it with the title side up and gently slide the end with the metal contacts into the TurboChip game card port until you feel a firm click. Don't bend the game card or touch the metal parts since this could damage the game program.

Step 5

Slide the TURBOGRAFX unit power switch to the ON position. If your game card isn't inserted all the way, the power switch won't move. Don't force the slide switch. Don't try to remove your TurboChip game card while the power is ON.

Step 6

Now the "turbo-charged" fun begins! To get all the action and excitement out of your system, be sure to follow the instructions that come with the game you have chosen.

Changing TurboChip Game Cards

Step 1

Slide the TURBOGRAFX unit power switch to the OFF position.

Step 2

Gently slide the TurboChip game card from the port and put it back in its plastic case. Don't try to bend the TurboChip game card out of the TURBOGRAFX unit or touch its metal parts since this could damage the game program.

Step 3

Slide in a new TurboChip game card and slide the power switch ON as in Steps 5 and 6 in the Powering Up section. Now you're ready to play again!

Powering Down

Step 1

Slide the TURBOGRAFX unit power switch to the OFF position.

Step 2

Gently slide the TurboChip game card from the port and put it back in its plastic case. Remember not to bend the game card or touch the metal parts.

Step 3

Unplug the AC adapter from the wall outlet. Don't leave the power adapter plugged in when the TURBOGRAFX system isn't in use.

Returning Your TV to Normal Viewing

A. In the case of AV connection

Slide the TURBOGRAFX unit power switch to the OFF position and select the TV mode on your TV.

B. In the case of RF connection

Every time you slide the TURBOGRAFX unit power switch to the OFF position, your TV will return to normal program viewing. (Remember to turn the TV channel selector to the channel you want.) You don't have to disconnect the RF unit, but be sure to unplug the AC adapter from the wall outlet.

Taking Care of Your TURBOGRAFX SuperSystem

General Precautions

- Handle your TURBOGRAFX system components with care. Dropping them can damage the system.
- This product should be examined from time to time for potential hazards.
- Don't try to take your system apart. There are no owner-serviceable parts inside. Opening components can damage them and will void your warranty.
- Don't expose your TURBOGRAFX system components to extreme cold or heat. Don't place the system on a warm surface such as a heater or the top of your TV. Don't place it in direct sun light.
- Don't use your system in rooms with high humidity such as the kitchen or bathroom.
- Don't spill liquids on your TURBOGRAFX system components. When necessary, wipe components clean with a cloth or sponge slightly dampened with water.
- Unplug your AC adapter and the antenna plug during thunder storms in your area. This will protect your system from damaging electrical surges.

Like other high-performance entertainment components, your TURBOGRAFX system contains precision electronics. By taking a few precautions, you can operate your TURBOGRAFX safely and keep it in top condition.

TurboPad and TurboStick Controllers

- Be sure the power switch is turned off whenever you connect or disconnect a controller.
- Remember to hold the connector plug with the arrow on top.

AC Adapter & RF unit Box

- Use only the NEC AC adapter and RF unit separately supplied with your system.
- Don't leave the AC adapter plugged into the wall outlet when your system is not in use.

TurboChip Game Cards

- Use only TurboChip game cards marked:



in your TURBOGRAFX system.

- Slide your TurboChip game card slowly into its port. Shoving it may damage the metal contacts.
- Always remove your TurboChip game card from the TURBOGRAFX unit after you have finished playing.

- Don't drop or bend your game cards or touch the metal contacts. Doing so may damage the program. If the contacts get dirty, gently wipe them clean with a piece of gauze moistened with ethyl alcohol and dry with a soft cloth.
- Store your game cards in their plastic cases when you're not using them.

Wires & Plugs

- When disconnecting a component, pull on the plug, not the wire.
- Don't stretch, twist, tie, or yank any wires.

Expansion Port

- Keep the expansion port cover in place when the port is not in use.
- Do not touch the delicate metal contacts.

Troubleshooting

If you have a problem getting your TURBOGRAFX system to work, check the chart below to find a solution.

Problem	Solution	Problem	Solution
TV screen does not come on.	Be sure your TV is plugged in and turned on.	TV picture blinks or is distorted.	Press the RUN button on your TurboPad or TurboStick controller to reset the game.
TV is on, but you can't see game on screen.	Be sure your AC adapter is plugged into the wall outlet and into the TURBOGRAFX unit.	Game rolls on TV screen or has lines on it.	Slide the TURBOGRAFX unit power switch to the OFF position, remove and replace the TurboChip game card, and restart the game.
	Be sure your TurboChip game card is completely inserted into the game card port.	Game rolls on TV screen or has lines on it.	Adjust the vertical and horizontal hold controls on your TV.
	Be sure the TURBOGRAFX unit power switch is completely in the ON position.	TV picture is OK but you can't hear the sound.	Be sure your TV volume is turned up. Press the TurboPad or TurboStick controller start button. (In some games, the sound begins after the game begins.)

Specifications

- Product code : HES-TGX-11
- Rating : DC10.5 V 780 mA
(Use only the AC adapter designed for this product.)
- Consumption : approx. 4 W
- Operating conditions : Temperature 0°C ~ 35°C
Humidity 20% ~ 80%
(non condensing)
- Accessories : TurboPad Controller
TurboChip Game Card
(Accessory Box)
AC Adapter
RF Unit
AV-Cable
75/300Ω Converter



NEC

© NEC Corporation
Rev. No. 1 Printed in Taiwan
78124581