

Parts and Operating Manual



Bally

MIDWAY MFG. CO.

10601 W. Belmont Avenue
Franklin Park, Illinois 60131
U.S.A.



Phone: (312) 451-9200 Cable Address: MIDCO Telex No.: 72-1596

WARNING

THIS GAME MUST BE GROUNDED. FAILURE TO DO SO MAY RESULT IN DESTRUCTION TO ELECTRONIC COMPONENTS.

WARNING: This equipment generates, uses, and can radiate radio frequency energy and if not used in accordance with the instructions manual, may cause interference to radio communications. It has been tested and found to comply with the limits for a CLASS A computing device pursuant to SUBPART J of PART 15 of FCC RULES, which are designed to provide reasonable protection against such interference when operated in a commercial environment. Operation of this equipment in a residential area is likely to cause interference in which case the user at his own expense will be required to take whatever measures may be required to correct the interference.

ELECTRICAL BULLETIN: FOR ALL APPARATUS COVERED BY THE CANADIAN STANDARDS ASSOCIATION (CSA) STANDARD C22.2 NO. 1, WHICH EMPLOYS A SUPPLY CORD TERMINATED WITH A POLARIZED 2-PRONG ATTACHMENT PLUG.

CAUTION: TO PREVENT ELECTRIC SHOCK DO NOT USE THIS (POLARIZED) PLUG WITH AN EXTENSION CORD, RECEPTACLE OR OTHER OUTLET UNLESS THE BLADES CAN BE FULLY INSERTED TO PREVENT BLADE EXPOSURE.

ATTENTION: POUR PREVENIR CHOCS ELECTRIQUES NE PAS UTILISER CETTE FICHE POLARISEE AVEC UN PROLONGATEUR. UNE PRISE DE COURANT OU UNE AUTRE SORTIE DE COURANT, SAUF SI LES LAMES PEUVENT ETRE INSEREES A FOND SANS EN LAISSER AUCUNE PARTIE A DECOUVERT.

Bally MIDWAYTM

Invites You To Use

**OUR TOLL FREE NUMBERS FOR
SERVICE INFORMATION CONCERNING THIS GAME, OR ANY
OTHER BALLY MIDWAY GAME YOU NOW HAVE ON LOCATION.**

**CALL US FOR PROMPT, COURTEOUS
ANSWERS TO YOUR PROBLEMS.**

VIDEO → Continental U.S. 1-800-323-7182

PINBALL → Continental U.S. 1-800-323-3555

Bally MIDWAYTM

10601 West Belmont Avenue, Franklin Park, Illinois, 60131

phone (312)451-9200

© COPYRIGHT MCMLXXXIII BY BALLY/MIDWAY CO. ALL RIGHTS RESERVED.

NO PART OF THIS PUBLICATION MAY BE REPRODUCED BY ANY MECHANICAL, PHOTOGRAPHIC, OR ELECTRONIC PROCESS, OR IN THE FORM OF A PHONOGRAPHIC RECORDING, NOR MAY IT BE TRANSMITTED, OR OTHERWISE COPIED FOR PUBLIC OR PRIVATE USE, WITHOUT PERMISSION FROM THE PUBLISHER. THIS MANUAL IS FOR SERVICE USE ONLY, AND NOT FOR GENERAL DISTRIBUTION. FOR PERMISSION REQUESTS, WRITE: MIDWAY MFG. CO., 10750 W. GRAND AVE., FRANKLIN PARK, IL 60131

Printed in U.S.A.

TAPPER

GAME OPERATION

ATTRACT MODE

1. The Attract mode starts:
 - Just after power has been turned on to the game. (Self-Test switch is in the "OFF" position.)
 - After a Self-Test has been completed and there are no more credits left in the games memory.
 - After a play has been finished, the score was not high enough to put the game into the High Score/Initial mode, and there are no more credits left in the games memory.
 - After the High Score/Initial mode when there are no more credits left in its memory.
 - No matter where the game is in the Attract mode sequence, it will immediately go to the Ready-To-Play mode display as soon as a game has been paid for.

READY-TO-PLAY MODE

1. The Ready-To-Play mode starts when enough coins have been accepted for a 1 player game. Additional coins may be deposited for a 2 player game.
2. The Ready-To-Play mode ends when the "START" button is pressed.

PLAY MODE

1. The Play mode begins when the "START" button is pressed.
2. The Play mode ends when all of your BAR TENDERS have been eliminated. When this happens, "GAME OVER" is written across the monitor screen.

HIGH SCORE/INITIAL MODE:

If your score was high enough to become one of the ten best scores, the game will go into the High Score/Initial mode immediately after the "GAME OVER" display. If your score is not high enough to cause the game to go into the High Score/Initial mode, it will either go to the Attract mode (if there are no more credits left in its memory) or into the Ready-To-Play mode (if there are still credits left in its memory).

Follow the ON-SCREEN instructions to enter your initials next to your score in the league of the best ten players to date.

After the High Score/Initial mode, the game will either go to the Attract mode (if there are no more credits left in its memory) or into the Ready-To-Play mode (if there are still credits left in its memory).

**T A P P E R
S C O R I N G**

DESCRIPTION	POINTS AWARDED	NOTES
PICK UP TIP	1500 POINTS	
GET DRINKERS OUT OF DOOR		
	50 POINTS	FOR EVERY COWBOY
	75 POINTS	FOR EVERY SPORTS PERSON
	100 POINTS	FOR EVERY PUNK ROCKER
	150 POINTS	FOR EVERY SPACE CREATURE
CATCH AN EMPTY MUG	100 POINTS	FOR EACH ONE CAUGHT
COMPLETING A RACK	1000 POINTS	
COMPLETING BONUS RACK	3000 POINTS	

TAPPER

OPTION SWITCH SETTINGS

//////////////////////////////////// SWITCH NO. 1 - AT B 3 - LOCATED ON SOUND I/O P.C. BOARD //////////////////////////////////////

DURING GAME PLAY:	SW#1	SW#2	SW#3	SW#4	SW#5	SW#6	SW#7	SW#8	SW#9	SW#10
	NOT USED	NOT USED		NOT USED	NOT USED	NOT USED		NOT USED	NOT USED	
ATTRACT MODE SOUNDS ON **ATTRACT MODE SOUNDS OFF	ON OFF									
COCKTAIL MODEL GAME **UPRIGHT MODEL GAME	ON OFF									
FREEZE VIDEO **NORMAL OPERATION	ON OFF									

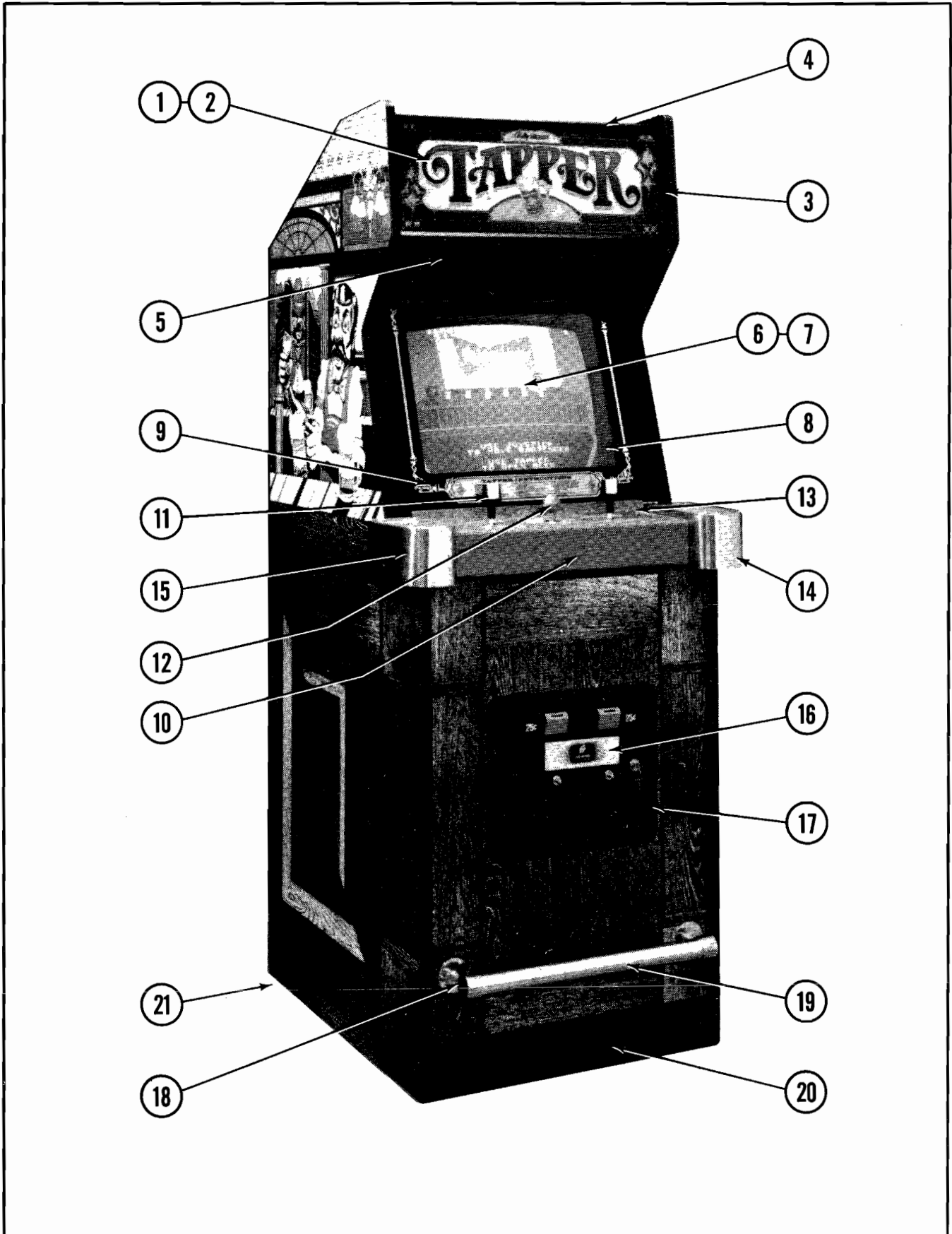
//////////////////////////////////// SWITCH NO. 3 - AT D 14 - LOCATED ON SOUND I/O P.C. BOARD //////////////////////////////////////

**NORMAL OPERATION SOUND I/O DIAGNOSTIC MODE	SW#1	*SW#2	*SW#3	*SW#4
	OFF			
**NORMAL OPERATION RAM/ROM TEST INDICATES TEST RESULTS VIA YELLOW L E D ON SOUND I/O BOARD: FAST FLASH = BAD ROM SLOW FLASH = BAD RAM	OFF ON			
**NORMAL OPERATION OSCILLATOR TEST	OFF ON			
**NORMAL OPERATION FILTER TEST	OFF ON			

*NO EFFECT IF SW#1 OF SWITCH NO. 3 IS IN THE "OFF" POSITION. **FACTORY RECOMMENDED SETTINGS.	PART NO. M051-00A11-A007
---	---------------------------------

THE REMAINDER OF YOUR NEW GAME'S MOST COMMON OPTION SETTINGS ARE CONDUCTED DURING THE
MACHINE SETUP PORTION OF THE SELF-TEST MODE.

NO. 0A11 - TAPPER UPRIGHT - FRONT

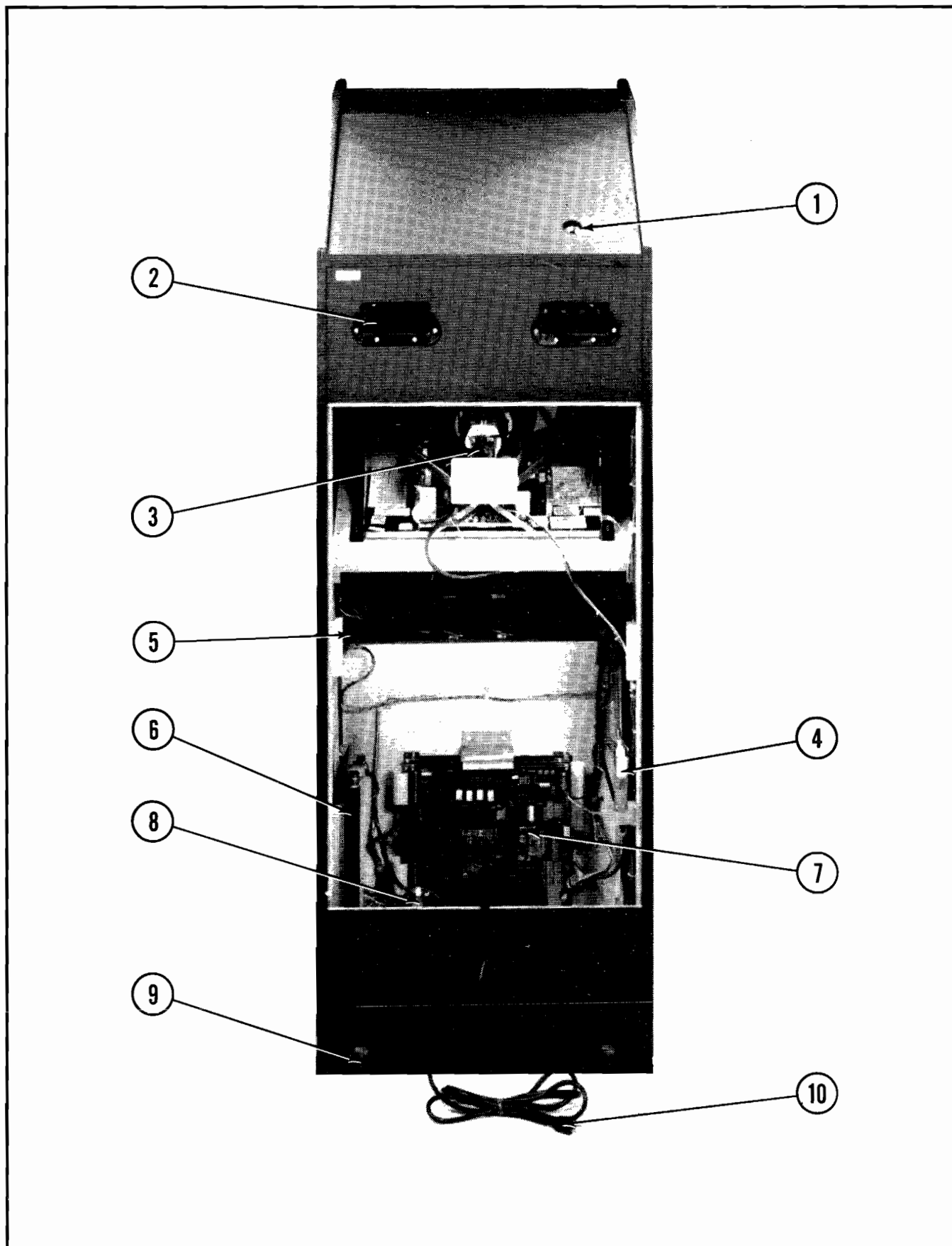


NO. 0A11 - TAPPER UPRIGHT - FRONT PARTS LIST

ORDER BY PART NUMBER ONLY

ITEM	PART NO.	DESCRIPTION	
1	0A11-00900-00XF	HEADER GLASS	
2	A595-00011-0000	FLUORESCENT HEADER LIGHT ASSY.	
3	0537-00903-0055	GLASS CHANNEL - 7-7/8" LG. (2 REQ'D)	
4	0574-00903-0100	HEADER RETAINING BRKT. (2 REQ'D)	
5	0017-00101-0138	#8x5/8 TORX PAN HD. TAMPER PROOF SCR. (10 REQ'D)	
	0017-00009-0393	BLACK SPEAKER GRILLE W/SLOTS (2 REQ'D)	
	0017-00003-0430	6"x9" SPEAKER - 4 OHM, 10W. (2 REQ'D)	
	0017-00003-0461	6"x9" SPEAKER - 4 OHM, 15W. (2 REQ'D)	
	0017-00101-0127	#8-32x1-1/2 CARRIAGE BOLT (8 REQ'D)	
6	0017-00103-0061	#8-32 HEX NUT W/SEMS (8 REQ'D)	
	A311-00002-0000	19" HORIZ. MONITOR ASSY.	
7	0333-00902-0000	PLEXI-DIFFUSER	
	0508-00901-0000	PLEXI-GLASS MTG. CLIPS (4 REQ'D)	
	0017-00101-0141	#8x11/16 UNSLOT. HEX HD. SCREW (4 REQ'D)	
8	0017-00042-0314	19" BEZEL - INJECTION MOLDED	
9	0A11-00901-00XF	MAIN VIEWING GLASS	
	0A11-00902-0100	GLASS HOLDER - RIGHT	
	0A11-00902-0200	GLASS HOLDER - LEFT	
	AA11-00016-0000	CONTROL SHELF PLATE ASSY.	
10	0A11-00904-0000	DECORATIVE OVERLAY	
	0A11-00100-01XF	CONTROL SHELF MTG. BRKT. - RIGHT	
	0A11-00100-02XF	CONTROL SHELF MTG. BRKT. - LEFT	
	0555-00901-0000	PLASTIC LOCATING PIN (4 REQ'D)	
	0017-00009-0534	BASSICK CLAMP (2 REQ'D)	
	0017-00101-0141	#8x11/16 UNSLOT. HEX HD. SCREW (8 REQ'D)	
	11	AA11-00015-0000	HANDLE CONTROL ASSY. (2 REQ'D)
	12	A982-00017-0000	CONTROL ASSY.
	13	0017-00032-0106	SMALL RED PUSH BUTTON SWITCH (2 REQ'D)
	14	0A11-00902-0100	GLASS HOLDER - RIGHT
15	0A11-00902-0200	GLASS HOLDER - LEFT	
16	A982-00014-0000	DOUBLE COIN DOOR & CABLE ASSY.	
17	0090-00002-04BK	LARGE COIN DOOR FRAME	
	0017-00101-0121	#6-32x5/16 PHIL. TRS. HD. SCR. (3 REQ'D) (MOUNTS COIN DOOR TO FRAME)	
	A950-00004-0000	COIN BOX ASSEMBLY	
	A950-00006-0100	WIRE COIN BOX CRADLE ASSY.	
	0950-00105-0000	COIN BOX COVER	
	0950-00104-0000	COIN BOX HANDLE	
	0950-00101-0000	COIN DEFLECTOR (2 REQ'D)	
	0950-00900-0000	LARGE PLASTIC COIN BOX	
	0950-00103-0000	COIN BOX DIVIDER - OPTIONAL	
	0017-00101-0142	1/4-20x1-3/8 BLACK RND. HD. BOLT (4 REQ'D)	
	0017-00104-0014	7/8" DISH WASHER (4 REQ'D)	
	0017-00103-0018	1/4-20 HEX NUT (4 REQ'D)	
	18	0A11-00106-0000	BRASS END POST (2 REQ'D)
	19	0017-00009-0558	BRASS RAIL
	20	0935-00906-0100	KICK PLATE - 23" LG.
	21	0017-00102-0048	3/8-16x2" LEG LEVELERS (4 REQ'D)
		0017-00103-0026	3/8-16 LEG LEVELER HEX NUTS (4 REQ'D)

NO. 0A11 - TAPPER UPRIGHT - REAR ACCESS

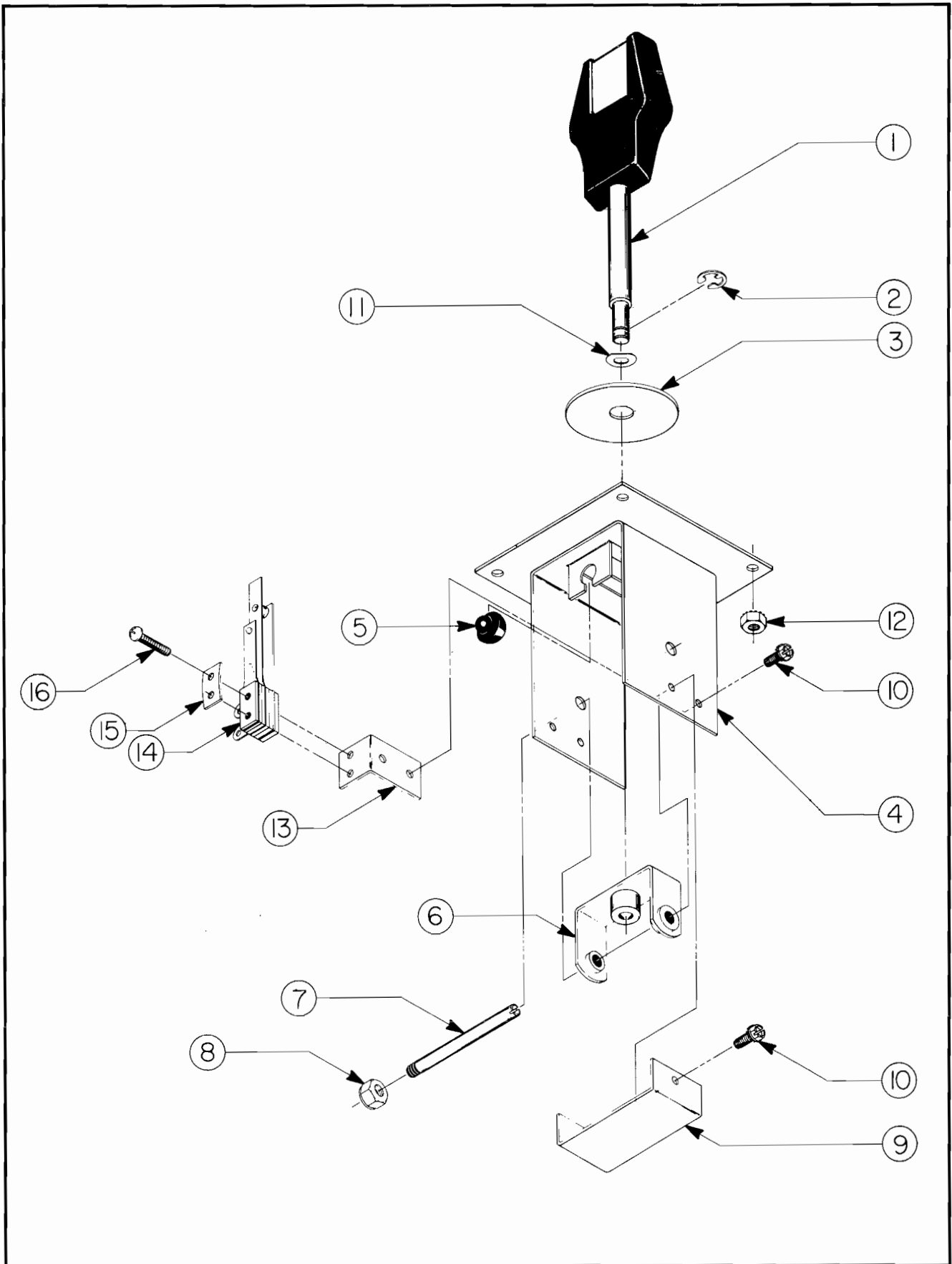


NO. 0A11 - TAPPER UPRIGHT - REAR ACCESS PARTS LIST

ORDER BY PART NUMBER ONLY

ITEM	PART NO.	DESCRIPTION
1	A945-00038-0000	ON-OFF SWITCH & PLATE ASSY.
2	0894-00916-0000	PLASTIC PULL & VENT (2 REQ'D)
	0017-00101-0141	#8x11/16 UNSLOT. HEX HD. M.S. (8 REQ'D)
3	0017-00003-0339	ELECTROHOME - 19" COLOR MONITOR (OR)
3	0017-00003-0439	WELLS-GARDNER - 19" COLOR MONITOR (OR)
3	0017-00003-0454	ZENITH - 19" COLOR DUAL SYNC MONITOR
	0636-00101-0000	MONITOR RAIL (2 REQ'D)
	0555-00901-0000	PLASTIC LOCATING PINS (4 REQ'D)
	0017-00101-0141	#8x11/16 UNSLOT. HEX HD. M.S. (8 REQ'D)
4	A088-00016-0000	INTERLOCK SWITCH & SPRING BRKT. ASSY.
	0303-00904-0000	INTERLOCK SWITCH COVER
5	A084-90910-F000	DUAL POWER AMP ASSY.
6	A084-90412-D000	POWER SUPPLY P.C. ASSY. - 125VA.
	0624-00902-0100	P.C. SUPPORT BRKT. - 12" LG. (2 REQ'D)
	0624-00902-0500	P.C. SUPPORT BRKT. - 6-1/2" LG. (2 REQ'D)
	0017-00101-0141	#8x11/16 UNSLOT. HEX HD. M.S. (10 REQ'D)
	0017-00104-0037	#8 WASHER (10 REQ'D)
7	AA11-00007-0000	CARD RACK W/BOARDS ASSY.
8	A945-00020-0000	POWER CHASSIS ASSY. -125VA., 115V.
9	A961-00007-0000	CASTER ASSEMBLY (2 REQ'D)
10	A945-00019-0000	LINE CORD ASSY. -115V.
		ADDITIONAL PARTS LIST
	A097-00009-0000	BACK DOOR LOCK ASSY.
	0017-00009-0490	5-5/8" SQR. BACK DOOR VENT GRILLE (4 REQ'D)
7	AA11-00007-0000	CARD RACK W/ BOARDS ASSY.
	A084-90913-AA11	PROG. SUPER SOUND I/O P.C. BRD. ASSY.
	A639-00060-0000	SHIELD & BARRIER ASSY.
	0017-00101-0134	#6-32x1/4" PHIL. RND. HD. M.S. (4 REQ'D)
	A084-91490-AA11	PROG. C.P.U. P.C. BOARD ASSY.
	A358-00016-0000	SHIELD & SPACER ASSY. - INNER
	A084-91464-AA11	PROG. SUPER VIDEO GENERATOR P.C.B. ASSY.
	A358-00017-0000	SHIELD & SPACER ASSY. - OUTER
	0017-00101-0153	#6-32x1" PHIL. RND. HD. M.S. (8 REQ'D)

NO. 0A11 - TAPPER UPRIGHT - HANDLE CONTROL ASSY.

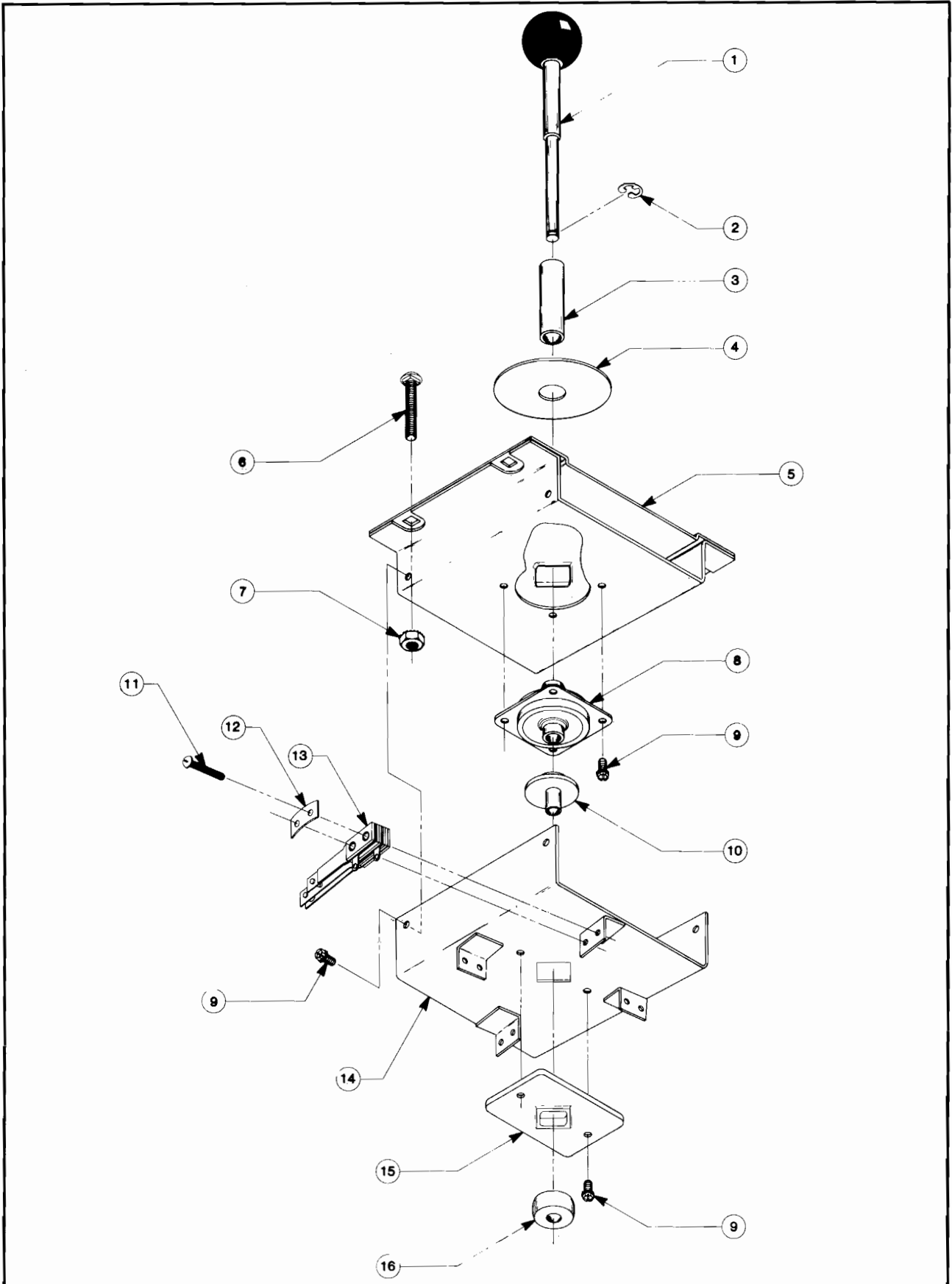


NO. 0A11 - TAPPER UPRIGHT - HANDLE CONTROL ASSY. - PARTS LIST

ORDER BY PART NUMBER ONLY

ITEM	PART NO.	DESCRIPTION
1	AA11-00012-0000	HANDLE & SHAFT ASSY.
2	0017-00100-0025	1/4" E-RING
3	0852-00106-0000	FOLLOWER PLATE
4	AA11-00013-0000	TOP PLATE TO MAIN CONTROL BRKT. ASSY.
5	0017-00041-0616	RUBBER BUMPER - 90 DUROMETER (2 REQ'D)
6	A866-00027-0000	PIVOT BRKT. HUB & BEARING ASSY.
7	0852-00701-00XF	PIVOT PIN
8	0017-00103-0011	#10-32 LOCK NUT
9	0508-00112-00XF	BRACE - MAIN BRKT.
10	0017-00101-0555	#6-32x5/16 SLT. HEX HD. SCREW (3 REQ'D)
11	0017-00104-0116	SPRING WASHER
12	0017-00103-0061	#8-32 LOCK NUT W/SEMS (4 REQ'D)
13	0353-00108-0000	SWITCH BRKT.
14	A353-00020-0000	LEAF SWITCH ASSY.
15	0020-00202-0000	SWITCH PLATE
16	0017-00101-0527	#5-40x5/8 PHIL. RND. HD. M.S. (2 REQ'D)
	0A11-00905-0000	HANDLE OVERLAY (NOT SHOWN)

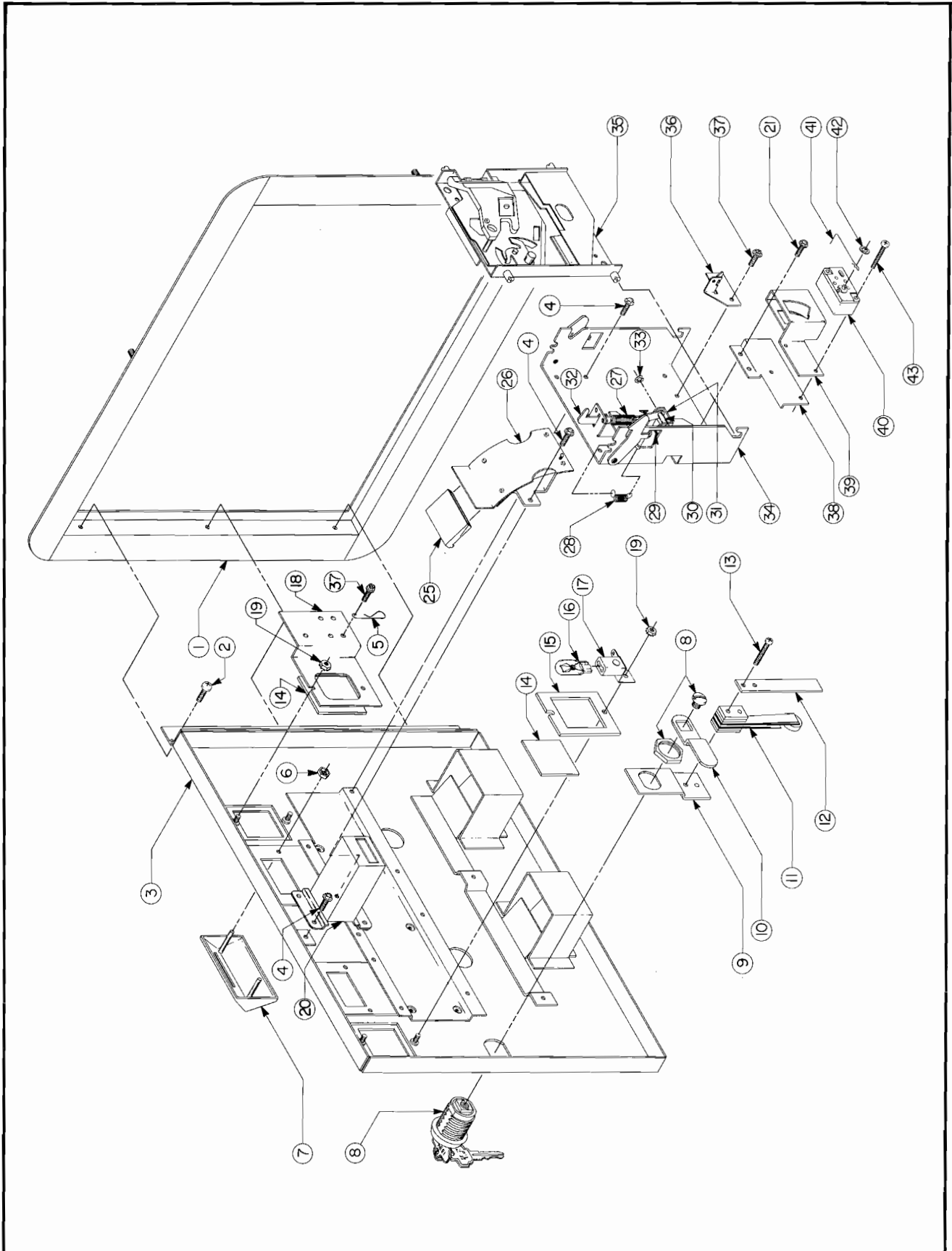
NO. 0A11 - TAPPER UPRIGHT - CONTROL ASSY.



NO. 0A11 - TAPPER UPRIGHT - CONTROL ASSY. - PARTS LIST*ORDER BY PART NUMBER ONLY*

ITEM	PART NO.	DESCRIPTION
1	A932-00022-0000	BALL & SHAFT ASSEMBLY
2	0017-00100-0025	1/4 E-RING
3	0921-00702-0000	STOP SPACER
4	0921-00902-0000	SLIDE PLATE
5	A982-00019-0000	PIVOT PLATE WELD ASSY.
6	0017-00101-0637	#8-32 x 1" CARRIAGE BOLT (4 REQ'D.)
7	0017-00103-0061	#8-32 HEX NUT W/SEMS (4 REQ'D.)
8	0932-00902-0000	GROMMET
9	0017-00101-0598	#8-32 x 5/16 SLT. HEX HD. M.S. (10 REQ'D.)
10	0962-00904-0000	SLEEVE
11	0017-00101-0527	#5-40 x 5/8 SLT. RND. HD. SCR. (8 REQ'D.)
12	0020-00202-0000	SWITCH PLATE (4 REQ'D.)
13	A932-00009-0000	SWITCH ASSEMBLY (4 REQ'D.)
14	A932-00012-0000	STOP PLATE & SWITCH BRKT. ASSY.
15	0932-00905-0000	WEAR PLATE
16	0921-00700-0000	ACTUATOR

FRONT DOOR ASSEMBLY — U.S.A. 25¢

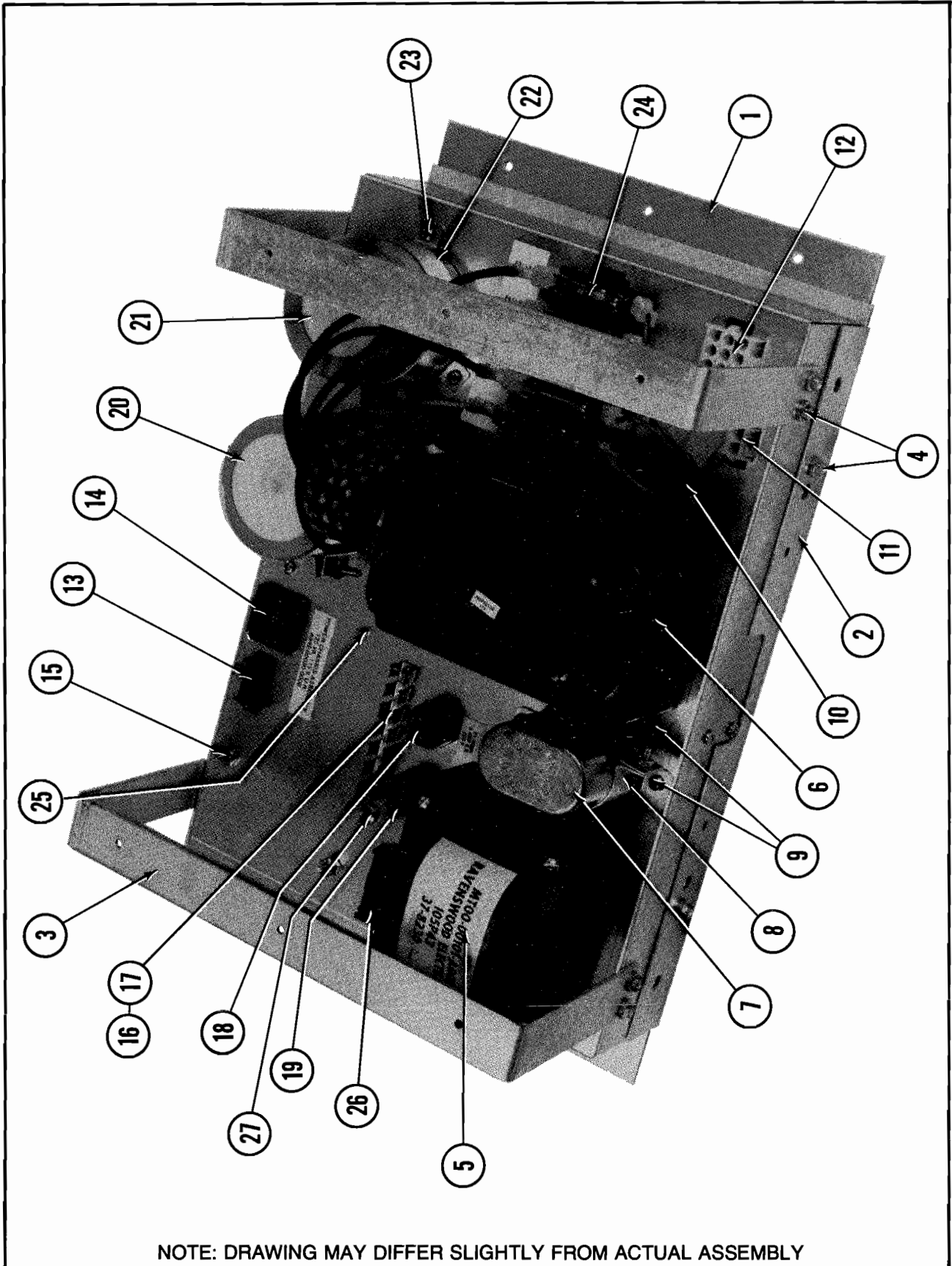


FRONT DOOR ASSEMBLY — U.S.A. 25¢ — PARTS LIST

ORDER BY PART NUMBER ONLY

ITEM	PART NO.	DESCRIPTION
1	0090-00002-04BK	DOUBLE ENTRY COIN DOOR FRAME
2	0017-00101-0121	#6-32 x 5/16 PHIL. TRS. HD. SCR. (3 REQ'D.)
3	A090-00073-02BK	DOUBLE ENTRY COIN DOOR W/DRESS PLATE
4	0017-00101-0123	#8 x 1/4 UNSLOT. HEX HD. SCREW (12 REQ'D.)
5	0017-00007-0019	KEY HOOK
6	0017-00103-0059	PUSH NUT (4 REQ'D.)
7	0090-00912-0000	COIN ENTRY PLATE — 25¢ (2 REQ'D.)
8	A097-00005-0000	DOOR LOCK & KEY W/SCREW & NUT (OR)
8	A097-00006-0000	DOOR LOCK & KEY W/SCREW. & NUT
9	0090-00128-00XF	DOOR TILT SWITCH BRKT.
10	0017-00005-0225	DOOR CAM
11	A090-00095-0000	DOOR TILT SWITCH
12	0090-00126-03XF	SWITCH BACK-UP PLATE
13	0017-00101-0525	#5-40 x 9/16" PHIL. HD. M.S. (2 REQ'D.)
	A090-00096-0000	DOOR TILT SWITCH & BRKT. ASSY. (ITEMS 9 & 11 THRU 13)
14	0090-00903-9500	25¢ WINDOW (2 REQ'D.)
15	0090-00143-00XF	COIN PLEX RETAINER
16	0017-00003-0219	12 VOLT LAMP — G.E. #194 (2 REQ'D.)
17	0017-00031-0048	WEDGE SOCKET W/BRKT. (2 REQ'D.)
18	A090-00100-0000	BRKT. ASSY.
19	0017-00103-0084	#6-32 HEX NUT W/SEMS (4 REQ'D.)
20	A090-00089-0000	COIN METER W/DIODE
21	0017-00101-0124	#6 x 1/4 UNSLOT. HEX HD. SCR. (4 REQ'D.)
25	0090-00911-0000	INSULATOR (2 REQ'D.)
26	A090-00112-0000	COIN CHUTE & TOP ASSY. (2 REQ'D.)
27	0010-00134-0000	SPRING
28	0010-00181-0000	SPRING
29	0017-00007-0083	1/8 x 1-5/8 ROLL PIN
30	0090-00129-00XF	PIVOT POST
31	0090-00167-00XF	PIVOT LEVER
32	0090-00182-00XF	REJECT LEVER
33	0017-00100-0018	E-RING
	A090-00088-0000	REJECT LEVER ASSY. (2 REQ'D.) (ITEMS 30 THRU 33)
34	A090-00105-0000	COIN ACCEPTOR FRAME ASSY. (2 REQ'D.)
35	0017-00005-0003	COIN ACCEPTOR W/STRING CUTTER (2 REQ'D.) (OR)
35	0017-00005-0211	COIN ACCEPTOR W/ANTI STRING DEVICE (2 REQ'D.) (OR)
35	0017-00005-0214	COIN ACCEPTOR W/STRING CUTTER (2 REQ'D.)
36	A090-00064-0000	ANTI-PENNY DEVICE
37	0017-00101-0099	#6 x 1/4 SLT. HEX HD. M.S. (2 REQ'D.)
38	0090-00162-00XF	COIN SWITCH MTG. BRKT.
39	0017-00005-0203	COIN SWITCH CHUTE
40	0017-00005-0195	COIN SWITCH
41	0010-00599-0000	COIN SWITCH WIRE
42	0017-00007-0015	PUSH-ON RING
	A090-00059-0400	COIN SWITCH & WIRE ASSY. (ITEMS 40 THRU 42)
43	0017-00101-0147	#4-40 x 3/4 PHIL. PAN. HD. M.S. (2 REQ'D.)
	A090-00077-0000	COIN GUIDE & SWITCH ASSY. (ITEMS 38 THRU 43)

— POWER CHASSIS ASSY. — 125VA., 115V.



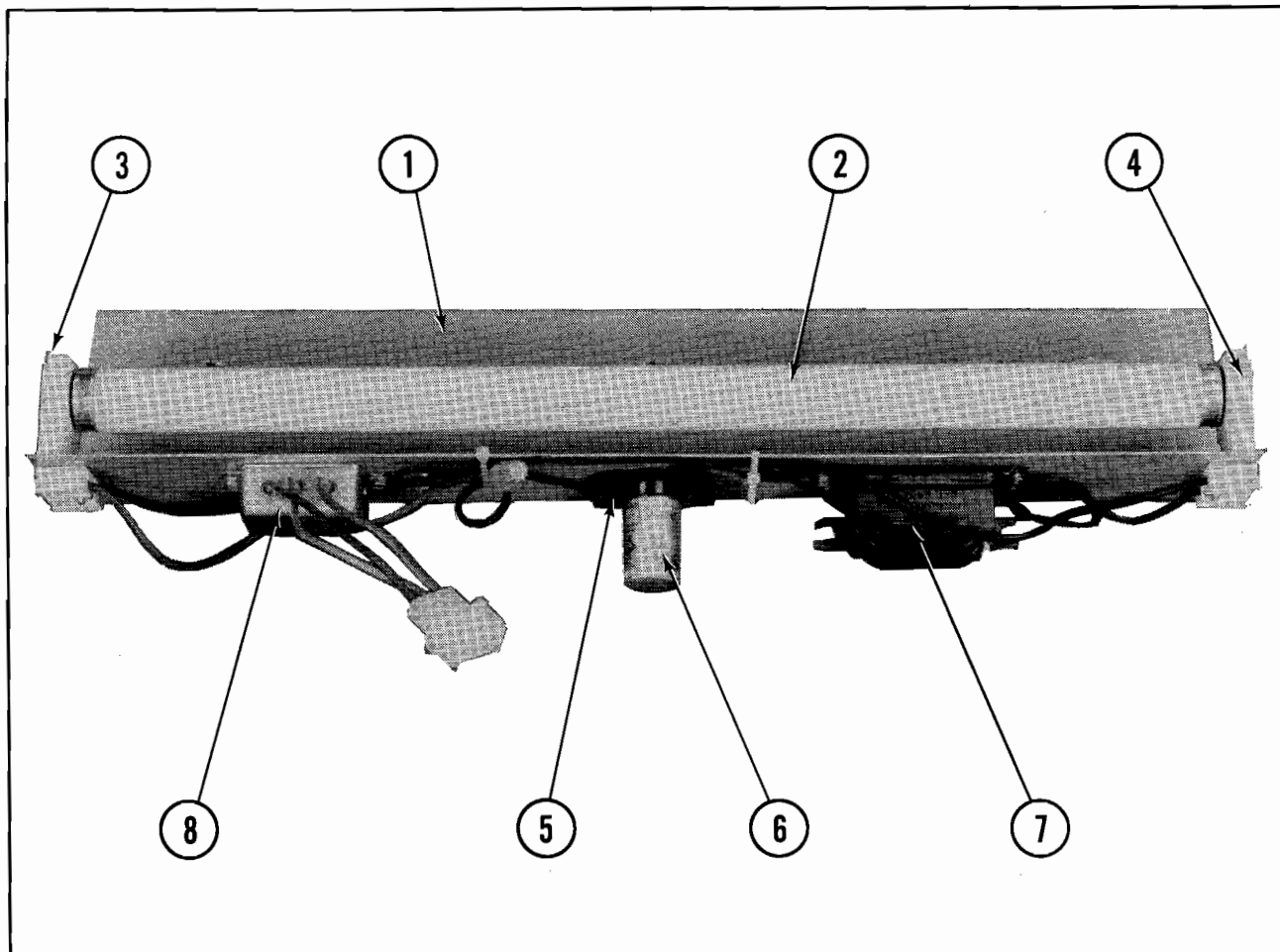
NOTE: DRAWING MAY DIFFER SLIGHTLY FROM ACTUAL ASSEMBLY

POWER CHASSIS ASSY.—125VA., 115V.—PARTS LIST

ORDER BY PART NUMBER ONLY

ITEM	PART NO.	DESCRIPTION
1	A945-00046-00XF	CHASSIS & PARTITION ASSY.
2	A945-00029-0100	MTG. PLATE & BARRIER ASSY.
3	0945-00107-01XF	STRAP (2 REQ'D.)
4	0017-00101-0123	#8 x 1/4 UNSLOT. HEX HD. SCR. (12 REQ'D.)
5	MT00-00101-A000	ISOLATION TRANSFORMER W/O SHIELD ASSY. — 115V., 50/60 HZ.
	0017-00103-0061	#8-32 HEX NUT W/SEMS (4 REQ'D.)
6	MT00-00099-A000	POWER TRANSFORMER ASSY. — 115V., 60 HZ.
	0017-00103-0084	#6-32 HEX NUT W/SEMS (4 REQ'D.)
7	0175-181T4-GXJK	CAPACITOR — 3.5 M.F., 440V.
8	0017-00009-0535	CLAMP
	0017-00101-0565	#6-32 x 7/16 SLT. PAN HD. SCR.
	0017-00103-0084	#6-32 HEX NUT W/SEMS
9	0017-00101-0067	#6 x 3/8 PHIL. PAN HD. SCR. (11 REQ'D.)
10	0945-00902-0000	SNAP BUSHING (3 REQ'D.)
11	0017-00021-0297	2 POSITION CONNECTOR
12	A945-00030-0100	CONNECTOR & CABLE ASSY. #1
13	A945-00030-0200	CONNECTOR & CABLE ASSY. #2
14	A945-00021-0000	CONVENIENCE OUTLET ASSY.
15	0017-00101-0573	#6-32 x 1/2 PHIL. RND. HD. SCR. (2 REQ'D.)
	0017-00103-0084	#6-32 HEX NUT W/SEMS (2 REQ'D.)
	A945-00025-0000	FILTER ASSEMBLY — 125V. — UNDER CHASSIS (NOT SEEN)
16	0017-00021-0510	TERMINAL STRIP
17	0017-00101-0140	#4-40 x 5/16 PHIL. PAN HD. SCR. (2 REQ'D.)
18	0017-00003-0263	SLO-BLO FUSE — 4A., 250V.
19	0017-00003-0005	FUSE — 2A., 250V.
	0017-00003-0444	QUICK CONN. FUSEHOLDER (2 REQ'D.) — FOR ABOVE FUSES
20	0945-00816-1902	CAPACITOR — 100,000 M.F.
21	0945-00816-1901	CAPACITOR — 55,000 M.F.
	0017-00104-0107	#10 FLAT WASHER (4 REQ'D.)
	0017-00103-0081	#10-32 HEX NUT W/SEMS (4 REQ'D.)
22	0017-00009-0422	CLAMP (2 REQ'D.)
	0017-00101-0758	#8-32 x 3/4 PHIL. RND. HD. SCREW (2 REQ'D.)
	0017-00103-0061	#8-32 HEX NUT W/SEMS (2 REQ'D.)
23	0017-00101-0067	#6 x 3/8 PHIL. PAN HD. SCR. (6 REQ'D.)
24	0945-00904-0000	5 POSITION FUSE HOLDER
	0017-00003-0263	SLO-BLO FUSE — 4A., 250V.
	0017-00003-0217	SLO-BLO FUSE — 2.5A., 250V. (2 REQ'D.)
	0017-00003-0007	SLO-BLO FUSE — 3A., 250V. (2 REQ'D.)
	0945-00903-0000	FUSE HOLDER BARRIER
	A945-00022-0000	HEATSINK & DIODE ASSY.
	0017-00101-0067	#6 x 3/8 PHIL. PAN HD. SCR. (2 REQ'D.)
25	0017-00101-0780	#6 x 1/2 PHIL. PAN HD. SCREW (2 REQ'D.)
	0017-00021-0629	5 POSITION TERMINAL STRIP — (UNDER CHASSIS)
	A945-00019-0000	LINE CORD ASSY. — 115V. (NOT SHOWN)
26	A945-00030-0500	CONNECTOR & CABLE ASSY.
27	0017-00101-0660	#10-32 x 3/4 PAN HD. SCREW
	0017-00104-0107	#10 FLAT WASHER
	0017-00103-0081	#10-32 HEX NUT W/SEMS

HEADER FLOURESCENT FIXTUTRE ASSY.



HEADER FLOURESCENT FIXTUTRE ASSY. - PARTS LIST

ORDER BY PART NUMBER ONLY

ITEM	PART NO.	DESCRIPTION
1	0595-00105-0000	FLUORESCENT BRKT.
2	0017-00003-0043	18" COOL WHITE FLUORESCENT LAMP
3	0017-00003-0445	LAMP LOCKS (2 REQ'D.)
4	0017-00031-0036	FLUORESCENT SOCKET (2 REQ'D.)
5	0017-00003-0412	FLUORESCENT STARTER HOLDER W/LEADS
	0017-00101-0573	#6-32 x 1/2 PHIL. RND. HD. M.S. (4 REQ'D.)
	0017-00104-0009	#6 EXT. WASHER (4 REQ'D.)
6	0017-00003-0019	FLUORESCENT STARTER
7	0017-00003-0026	BALLAST
	0017-00101-0598	#8-32 x 5/16 SLT. HEX HD. SCR. (4 REQ'D.)
8	A961-00042-0000	LINE FILTER ASSY.

BALLY/MIDWAY'S TAPPER
U.R. #A11
ROM/EPROM PART NUMBERS

UNPROGRAMED SUPER VIDEO GEN. A084-91464-L000
PROGRAMED SUPER VIDEO GEN. A084-91464-AA11

POS.	MIDWAY PART NUMBER
1A	0A11-00803-0001
2A	0A11-00803-0002
3A	0A11-00803-0003
4A	0A11-00803-0004
5A	0A11-00803-0005
6A	0A11-00803-0006
7A	0A11-00803-0007
8A	0A11-00803-0008

JUMPERS	IN	OUT
JW1		**
JW2	**	

UNPROGRAMED 5 MHZ CPU A084-91490-H000
PROGRAMED 5 MHZ CPU A084-91490-AA11

POS.	MIDWAY PART NUMBER
5F	0A11-00803-0013
6F	0A11-00803-0014
1C	0A11-00803-0009
2C	0A11-00803-0010
3C	0A11-00803-0011
4C	0A11-00803-0012

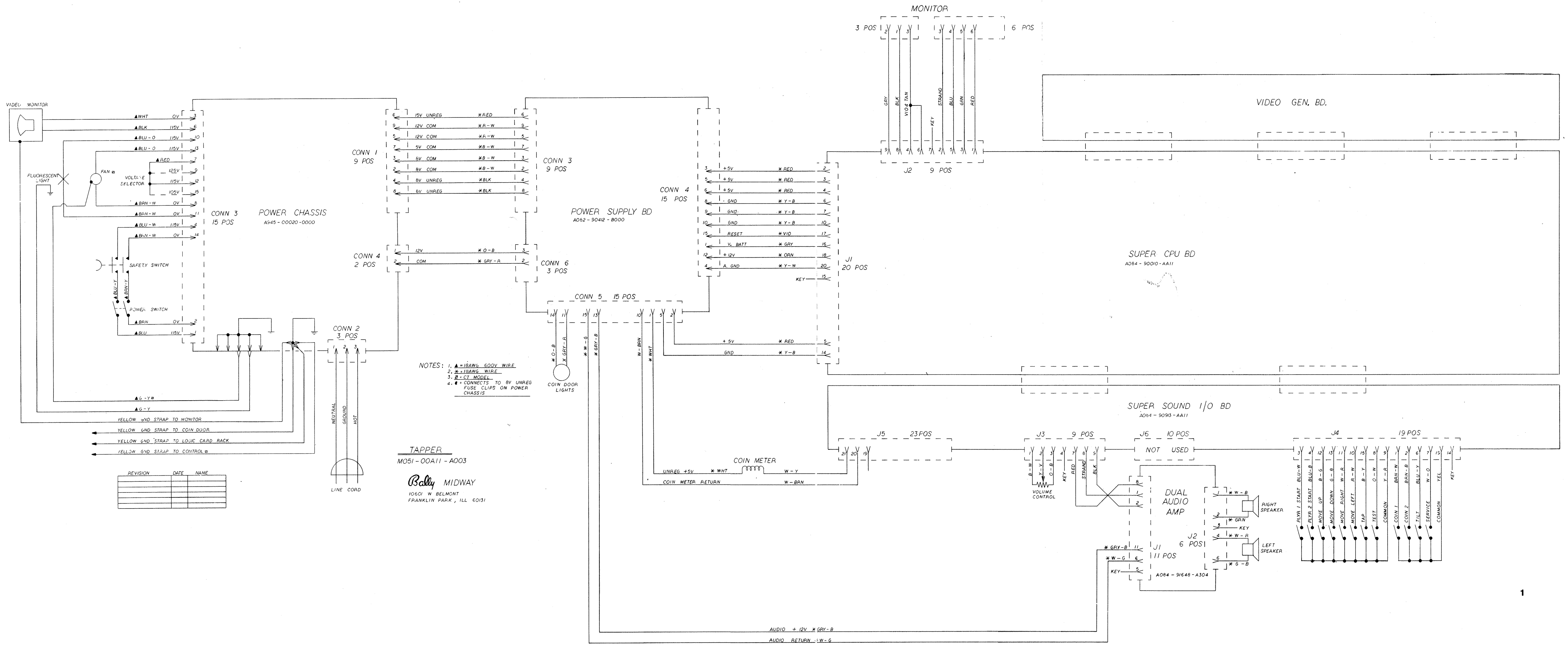
JUMPERS	IN	OUT
JW1		**
JW2		**
JW3	**	
JW4		**
JW5		**
JW6		**

UNPROGRAMED S/S I/O A084-90913-G000
PROGRAMED S/S I/O A084-90913-AA11

POS.	MIDWAY PART NUMBER
7A	0A11-00803-0015
8A	0A11-00803-0016
9A	0A11-00803-0017
10A	0A11-00803-0018

EPROM	JUMPERS	IN	OUT
2532	JW1		**
2532	JW2	**	
2732	JW1	**	
2732	JW2		**

REVISIONS		
12/19/83	RELEASE FOR PRODUCTION	

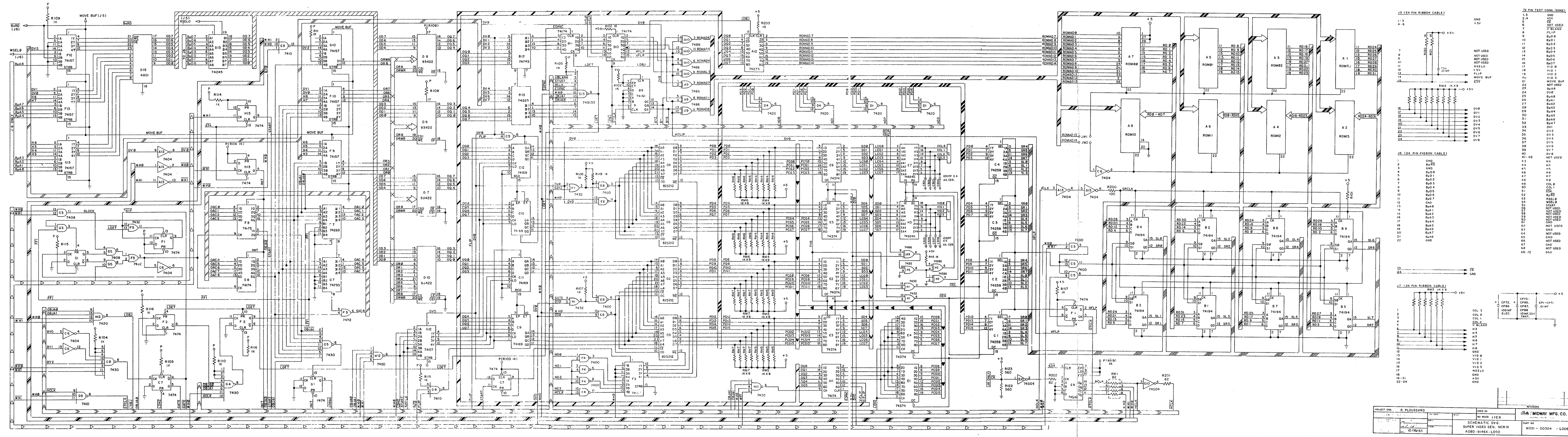


NOTES: 1. #18AWG BODY WIRE
 2. #20AWG WIRE
 3. #14CT MODEL
 4. * CONNECTS TO 8V UNREG FUSE CLIPS ON POWER CHASSIS

TAPPER
 MO51-00A11-A003
Bally MIDWAY
 10601 W BELMONT
 FRANKLIN PARK, ILL 60131

REVISION	DATE	NAME

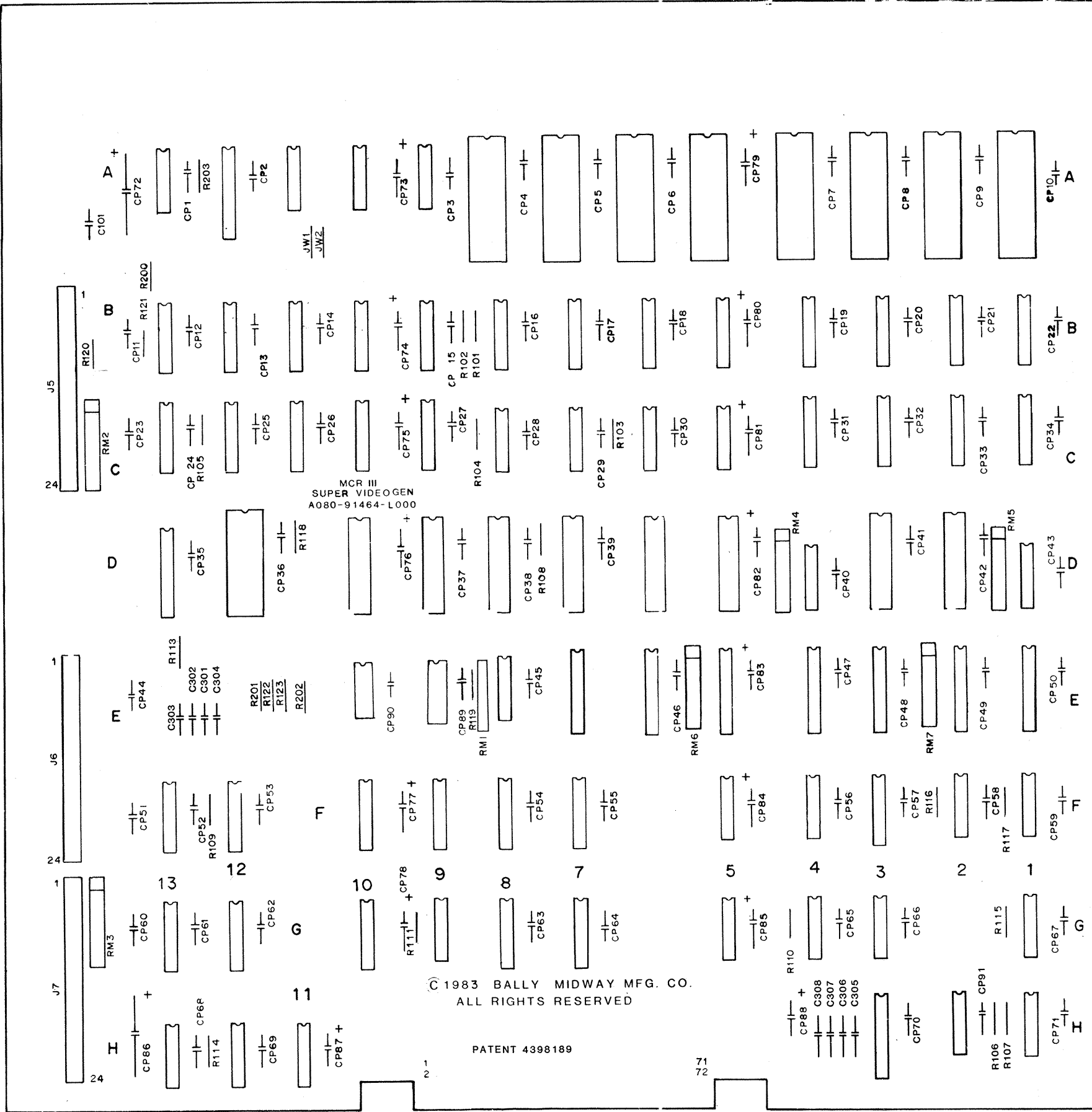
AUDIO +12V *GRY-B
 AUDIO RETURN *W-G



13 124 PIN RIBBON CABLE		74 PIN TEST CONN. LEVEL	
1-3	0V	13	0V
4-6	+5V	14	0V
		15	0V
		16	0V
		17	0V
		18	0V
		19	0V
		20	0V
		21	0V
		22	0V
		23	0V
		24	0V
		25	0V
		26	0V
		27	0V
		28	0V
		29	0V
		30	0V
		31	0V
		32	0V
		33	0V
		34	0V
		35	0V
		36	0V
		37	0V
		38	0V
		39	0V
		40	0V
		41	0V
		42	0V
		43	0V
		44	0V
		45	0V
		46	0V
		47	0V
		48	0V
		49	0V
		50	0V
		51	0V
		52	0V
		53	0V
		54	0V
		55	0V
		56	0V
		57	0V
		58	0V
		59	0V
		60	0V
		61	0V
		62	0V
		63	0V
		64	0V
		65	0V
		66	0V
		67	0V
		68	0V
		69	0V
		70	0V
		71	0V
		72	0V
		73	0V
		74	0V
		75	0V
		76	0V
		77	0V
		78	0V
		79	0V
		80	0V
		81	0V
		82	0V
		83	0V
		84	0V
		85	0V
		86	0V
		87	0V
		88	0V
		89	0V
		90	0V
		91	0V
		92	0V
		93	0V
		94	0V
		95	0V
		96	0V
		97	0V
		98	0V
		99	0V
		100	0V

DESIGNATION LIST

DESIGNATION	DESCRIPTION	DESIGNATION	DESCRIPTION
C101	.01 MF AX CER	IC 1D	7420
C301-C308	100 PF AX CER	IC 2D	93479
CP1-CP71	.01 MF AX CER	IC 3D	93479
CP72,CP86	100 MF AX ELECT.	IC 4D	7420
CP73-CP85,CP87,CP88	10 MF 25V AX TANT.	IC 5D	93479
CP89,CP90,CP91	.01MF AX. CER.	IC 6D	93479
		IC 7D	93422
		IC 8D	93422
R101-R111,R113-R121	1K OHM 1/4W	IC 9D	93422
R122,R123	560 OHM 1/4W	IC 10D	93422
R200	100 OHM 1/4W	IC 12D	74LS245
R201 R202	82 OHM 1/4W	IC 13D	
R203	1K OHM 1/4W		
RM1	82 OHM 8 PIN SIP	IC 1E	74LS374
RM 2	1K 10 PIN SIP	IC 2E	74LS374
RM 3	1K 10 PIN SIP	IC 3E	74LS374
RM 4	1K 9 PIN SIP	IC 4E	74LS374
RM 5	1K 9 PIN SIP	IC 5E	74LS374
RM 6	1K 9 PIN SIP	IC 6E	74LS374
RM 7	1K 9 PIN SIP	IC 7E	74LS240
		IC 8E	74LS00
		IC 9E	74S161
		IC 10E	74S04
IC 1A	EPROM	IC 1F	74LS74
IC 2A	EPROM	IC 2F	74LS74
IC 3A	EPROM	IC 3F	74LS157
IC 4A	EPROM	IC 4F	74S00
IC 5A	EPROM	IC 5F	74LS32
IC 6A	EPROM	IC 7F	74LS283
IC 7A	EPROM	IC 8F	74LS175
IC 8A	EPROM	IC 9F	74LS157
IC 9A	74LS86	IC 10F	74LS157
IC 10A	74LS86	IC 12F	74LS157
IC 11A	74LS174	IC 13F	74LS157
IC 12A	74LS273	IC 1G	74LS74
IC 13A	74S04	IC 3G	74S08
		IC 4G	74LS30
		IC 5G	74LS30
		IC 7G	74LS283
		IC 8G	74LS174
		IC 9G	74LS10
		IC 10G	74LS157
		IC 12G	74LS157
		IC 13G	74LS157
IC 1B	74LS194	IC 1H	74LS32
IC 2B	74LS194	IC 2H	74S86
IC 3B	74LS194	IC 3H	74LS240
IC 4B	74LS194	IC 11H	7420
IC 5B	74LS194	IC 12H	7420
IC 6B	74LS194	IC 13H	74LS74
IC 7B	74LS194		
IC 8B	74LS194		
IC 9B	74LS161		
IC 10B	74LS174		
IC 11B	74LS174		
IC 12B	74S283		
IC 13B	74S283		
IC 1C	74LS258	ICS1A-ICS8A	28 PIN SOCKET
IC 2C	74LS258	ICS D2,D3,D5-D10	22 PIN SOCKET
IC 3C	74LS258	ICS D12	24 PIN SOCKET
IC 4C	74LS258		
IC 5C	74LS00		
IC 6C	74LS04	J5,J6,J7	KK100 RT. ANGLE 24 PIN CONN.
IC 7C	74LS74		
IC 8C	74LS30		
IC 9C	74LS169	JW 1, JW2	JUMPER WIRE
IC 10C	74LS169		
IC 11C	74LS169	MCR III SUPER VIDEO GEN.	A082-91464-L000
IC 12C	74LS169		
IC 13C	74S133		



© 1983 BALLY MIDWAY MFG. CO. ALL RIGHTS RESERVED

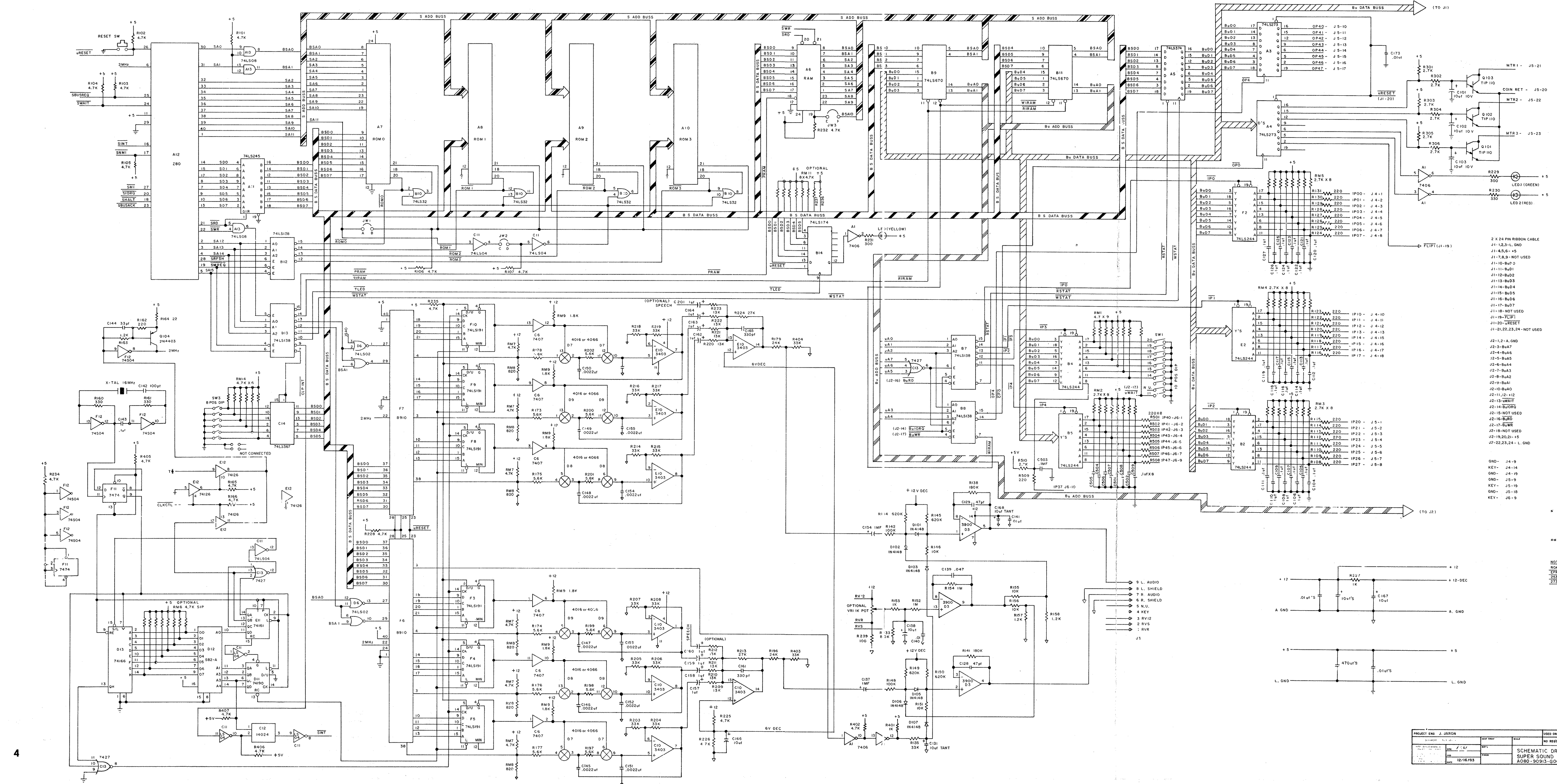
PATENT 4398189

CROSS REFERENCE LIST

DESCRIPTION	QTY	DESIGNATION NO.	PART NOS.
CAP 100 PF	8	C301-C308	0986-00800-1000
CAP .01MF	75	C101,CP1-CP71,CP89,CP90,CP91	0986-00800-2500
CAP 10MF	15	CP73-CP85,CP87,CP88	0986-00800-2400
CAP 100MF	2	CP72,CP86	0986-00800-1800
82 OHM 1/4 W RES.	2	R201,R202	100E-00005-0031
100 OHM 1/4 W RES.	1	R200	100E-00005-0033
1K OHM 1/4 W RES.	21	R101-R111,R113-R121,R203	100E-00005-0061
560 OHM 1/4W RES.	2	R122,R123	100E-00005-0054
8 PIN SIP	1	RM1	102E-00004-0035
9 PIN SIP	4	RM4-RM7	102E-00004-0011
10 PIN SIP	2	RM2, RM3	102E-00004-0013
74S00	1	4F	0304-00803-0047
74LS00	2	5C,8E	0304-00803-0010
74S04	2	13A,10E	0304-00803-0011
74LS04	1	6C	0304-00803-0012
74S08	1	3G	0304-00803-0037
74LS10	1	9G	0304-00803-0014
7420	4	1D,4D,11H,12H	0304-00803-0015
74LS30	3	8C,4G,5G	0304-00803-0016
74LS32	2	5F,1H	0304-00803-0017
74LS74	5	7C,1F,2F,1G,13H	0304-00803-0018
74S86	1	2H	0304-00803-0049
74LS86	2	9A,10A	0304-00803-0019
74S133	1	13C	0304-00803-0020
74LS157	8	3F,9F,10F,12F,13F,10G,12G,13G	0304-00803-0021
74S161	1	9E	0304-00803-0038
74LS161	1	9B	0304-00803-0022
74LS169	4	9C-12C	0304-00803-0023
74LS174	4	11A,10B,11B,8G	0304-00803-0024
74LS175	1	8F	0304-00803-0025
74LS194	8	1B-8B	0304-00803-0026
74LS240	2	7E,3H	0304-00803-0050
74LS245	1	13D	0304-00803-0027
74LS258	4	1C-4C,	0304-00803-0028
74LS273	1	12A	0304-00803-0029
74S283	2	12B,13B	0304-00803-0039
74LS283	2	7F,7G	0304-00803-0030
74LS374	6	1E-6E	0304-00803-0031
93422	4	7D-10D	0304-00803-0032
93479	4	2D,3D,5D,6D	0304-00803-0033
STAT. RAM	1	12D	0304-00803-0034
EPROM KIT	8	IC1A-8A	SEE NOTE
28 PIN SOCKET	8	ICS 1A-8A	0986-00804-0300
22 PIN SOCKET	8	ICS 2D,3D,5D,6D,7D-10D	0986-00804-0700
24 PIN SOCKET	1	ICS 12D	0986-00804-1600
KK100 RT. ANGLE 24 PIN CONN.	3	J5,J6,J7	0986-00804-4700
JUMPER WIRE	2	JW1, JW2	0986-00805-0200
MCR III SUPER VIDEO GEN.			A082-91464-L000

NOTE: ROM PART NUMBERS AT BACK OF CATALOG.

PROJECT ENG: R. PLOUSSARD		USED ON	
DO NOT SCALE DWG.		HEAT TREAT	SCALE FULL
DIM TOLERANCES UNLESS SPECIFIED		NO. REQ'D 1 PER	
CONCENTRICITY ± 0.01		SUPER VIDEO GEN. MCR III ASSY DWG A082-91464-L000	
FRACTIONAL ± 0.005		PART NO. M051-00304-L005	
DECIMAL ± 0.005		FRANKLIN PK. ILL.	
HOLE DIA ± 0.02 ± 0.005		DATE 12/19/83	



72 PIN TEST CONN

1 - L GND	37 - SA4
2 - +5	38 - SA5
3 - L GND	39 - SA6
4 - +5	40 - SA7
5 - +5	41 - SA8
6 - A GND	42 - SA9
7 - +5	43 - SA10
8 - NOT USED	44 - SA11
9 - B GND	45 - SA12
10 - B GND	46 - SA13
11 - B GND	47 - SA14
12 - B GND	48 - SA15
13 - B GND	49 - SW1
14 - B GND	50 - SW2
15 - B GND	51 - SW3
16 - B GND	52 - SW4
17 - B GND	53 - SW5
18 - B GND	54 - SW6
19 - B GND	55 - SW7
20 - B GND	56 - SW8
21 - B GND	57 - SW9
22 - B GND	58 - SW10
23 - B GND	59 - SW11
24 - B GND	60 - SW12
25 - B GND	61 - SW13
26 - B GND	62 - SW14
27 - B GND	63 - SW15
28 - B GND	64 - SW16
29 - B GND	65 - SW17
30 - B GND	66 - SW18
31 - B GND	67 - SW19
32 - B GND	68 - SW20
33 - B GND	69 - NOT USED
34 - B GND	70 - +5
35 - SA2	71 - L GND
36 - SA3	72 - +5

* USED ON VERSION W/PANNING
 NOT USED ON VERSION W/PANNING

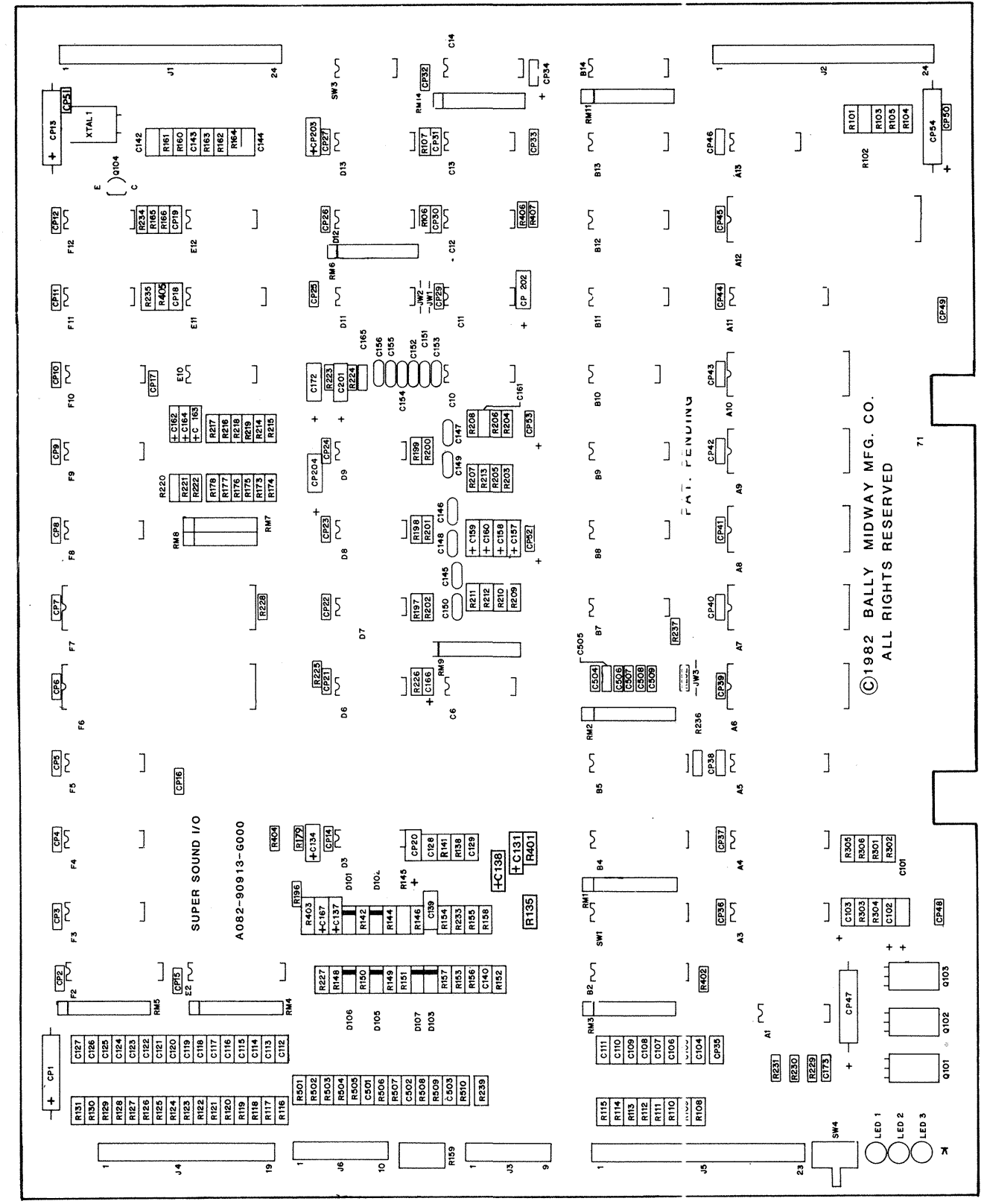
** NOT USED ON VERSION W/PANNING
 USED ON VERSION W/PANNING

NOTE
 BOARD NUMBER OPTIONS
 EPROM FROM
 TEST COMPATIBILITY
 2762 COMPATIBILITY

JW1	JW2
x	x
x	x

DESIGNATION LIST

DESIGNATION NO.	DESCRIPTION	DESIGNATION NO.	DESCRIPTION	DESIGNATION NO.	DESCRIPTION
C101-C103	10 MF 25V AX. TANT.	R152	1MEG. OHM 1/4W 5X CRBN.	D101-D103 D105-D107	1N4148 1N4148
C104-C127 C128, C129 C131	.1 MF 50V AX. CER. 47 PF 50V AX. CER. 10 MF 25V AX. TANT.	R153	1K OHM 1/4W 5X CRBN.	Q101-Q103 Q104	T1P110 2N4403
C134-C137 C138	1 MF 20V AX. TANT. 10 MF 25V AX. TANT.	R155, R156 R157, R158	10K OHM 1/4W 5X CRBN. 1.2K OHM 1/4W 5X CRBN.	IC1A IC3A, 4A IC5A IC6A IC7A IC8A IC9A IC10A IC11A IC12A IC13A	7406 74LS273 74LS374 1K X 8 RAM ROM/EPROM 0 ROM/EPROM 1 ROM/EPROM 2 ROM/EPROM 3
C139	.047 MF 100V MYLAR	R160, R161	330 OHM 1/4W 5X CRBN.	IC12B, 13B IC14B	74LS138 74LS174
C140	.01 MF 50V AX. CER.	R162	220 OHM 1/4W 5X CRBN.	IC6C IC10C IC11C IC12C	7407 MC3403 74LS04 MC14024 7427
C142	100 PF 50V AX. CER.	R163	1.2K OHM 1/4W 5X CRBN.	IC14C LM3900 IC6D IC7B-9D IC11D IC12D IC13D IC2E IC10E IC11E IC12E IC2F	74LS245 74LS670 74LS191 AY-3-8910 IC6F, 7F IC8F-10F 7474 74S04
C143	.1 MF 50V AX. CER.	R164	22 OHM 1/4W 5X CRBN.	IC12F IC11F IC12F IC56A-ICS10A ICS12A ICS12D ICS6F, 7F	74LS08 74LS138 74LS174 7407 MC3403 74LS04 MC14024 7427 74LS367 LM3900 74LS02 MC14016 74190 PROMSB2A 74166 74LS244 MC3403 74161 74126 IC2F 74LS244 74LS191
C144	.0022 MF 100V 10X MYLAR	R165, R166	4.7K OHM 1/4W 5X CRBN.	IC11F IC12F IC11F IC12F	7474 74S04
C157-C159 C161	1 MF 20V AX. TANT. 330 PF 50V AX. CER.	R173-R178	5.6K OHM 1/4W 5X CRBN.	IC56A-ICS10A ICS12A ICS12D ICS6F, 7F	24 PIN IC SOCKET 40 PIN IC SOCKET 16 PIN IC SOCKET 40 PIN IC SOCKET
C162-C164 C165	1 MF 20V AX. TANT. 330 PF 50V AX. CER.	R179	24K OHM 1/4W 5X CRBN.	J1, J2 J3 J4 J5 J6	24 PIN KK100 RT. ANGLE 9 PIN KK100 RT. ANGLE OMIT 4 19 PIN KK100 RT. ANGLE OMIT 14 23 PIN KK100 RT. ANGLE OMIT 19 10 PIN KK100 RT. ANGLE OMIT 8
C166, C167	10 MF 25V AX. TANT.	R197-R202	5.6K OHM 1/4W 5X CRBN.	JW1, JW2	JUMPER WIRE
C172	10 MF 25V AX. TANT.	R203-R208	33K OHM 1/4W 5X CRBN.	LED 3	YELLOW LED
C173	.01 MF 50V AX. CER.	R209-R211	13K OHM 1/4W 5X CRBN.	SW1 SW3 SW4	10 POSITION DIP 8 POSITION DIP PUSHBUTTON S.W.
C501-C509	.1 MF 50V AX. CER.	R213	27K OHM 1/4W 5X CRBN.	XTAL 1	16 MHZ XTAL
CP1	470 MF 16V AX. ELECT.	R214-R219	33K OHM 1/4W 5X CRBN.	MHQ101-MHQ103	SNAP
CP2-CP12	.01 MF 50V AX. CER.	R220-R222	13K OHM 1/4W 5X CRBN.	A080-90913-G000	SUPER SND. I/O BD.
CP13	470 MF 16V AX. ELECT.	R224	27K OHM 1/4W 5X CRBN.		
CP14-CP19	.01 MF 50V AX. CER.	R225, R226	4.7K OHM 1/4W 5X CRBN.		
CP20	10 MF 25V AX. TANT.	R227	1K OHM 1/4W 5X CRBN.		
CP21-CP27	.01 MF 50V AX. CER.	R228	4.7K OHM 1/4W 5X CRBN.		
CP29-CP33	.01 MF 50V AX. CER.	R231	300 OHM 1/4W 5X CRBN.		
CP34	10 MF 25V AX. TANT.	R232	4.7K OHM 1/4W 5X CRBN.		
CP35-CP46	.01 MF 50V AX. CER.	R233	3K OHM 1/4W 5X CRBN.		
CP47	470 MF 16V AX. ELECT.	R234, R235	4.7K OHM 1/4W 5X CRBN.		
CP48-CP51	.01 MF 50V AX. CER.	R239	100 OHM 1/4W 5X CRBN.		
CP52, CP53	10 MF 25V AX. TANT.	R301-R306	2.7K OHM 1/4W 5X CRBN.		
CP54	470 MF 16V AX. ELECT.	R401	1K OHM 1/4W 5X CRBN.		
CP202-CP204	10 MF 25V AX. TANT.	R402	4.7K OHM 1/4W 5X CRBN.		
R101-R107	4.7K OHM 1/4W 5X CRBN.	R403, R404	33K OHM 1/4W 5X CRBN.		
R108-R131	220 OHM 1/4W 5X CRBN.	R405-R407	4.7K OHM 1/4W 5X CRBN.		
R135	33K OHM 1/4W 5X CRBN.	R501-R509	220 OHM 1/4W 5X CRBN.		
R138, R141	180K OHM 1/4W 5X CRBN.	R510	2.7K OHM 1/4W 5X CRBN.		
R142	100K OHM 1/4W 5X CRBN.	RM1	4.7K OHM 10 PIN S.I.P.		
R144, R145	620K OHM 1/4W 5X CRBN.	RM2-RM5	2.7K OHM 10 PIN S.I.P.		
R146	10K OHM 1/4W 5X CRBN.	RM7	4.7K OHM 8 PIN S.I.P.		
R148	100K OHM 1/4W 5X CRBN.	RM8	820 OHM 8 PIN S.I.P.		
R149, R150	620K OHM 1/4W 5X CRBN.	RM9	1.8K OHM 10 PIN S.I.P.		
R151	10K OHM 1/4W 5X CRBN.	RM14	4.7K OHM 10 PIN S.I.P.		

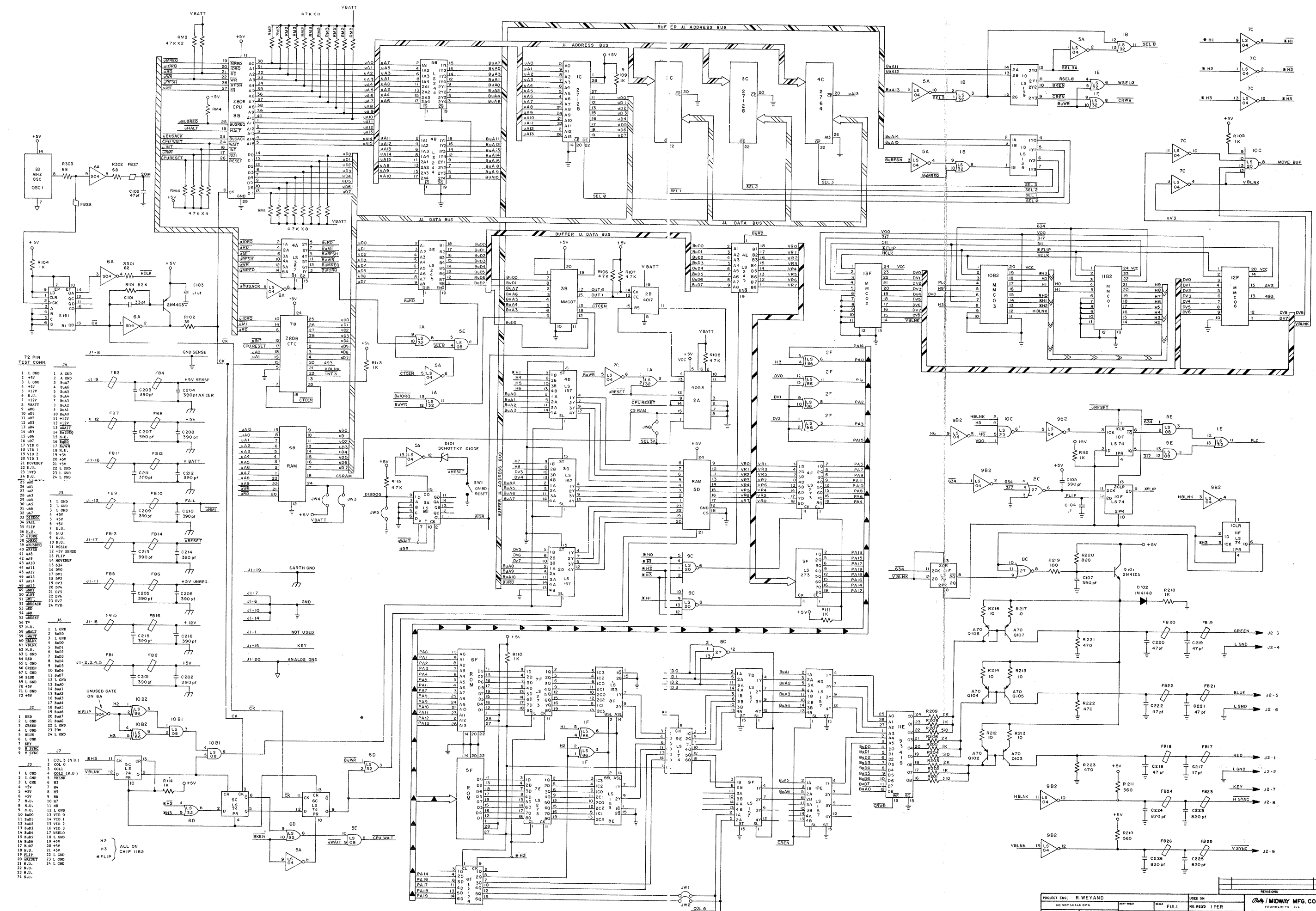


CROSS REFERENCE LIST

DESCRIPTION	QTY	DESIGNATION NO.	PART NOS.	DESCRIPTION	QTY	DESIGNATION NO.	PART NOS.
33 PF 50V 5X AX. CER.	1	C144	0986-00800-0300	1N4148	6	D101-D103, D105-D107	0986-00801-0200
47 PF 50V AX. CER.	2	C128, C129	0986-00800-2800	2N4403	1	Q104	0986-00802-0500
100 PF 50V 5X AX. CER.	1	C142	0986-00800-1000	T1P110	3	Q101-Q103	0986-00802-0400
330 PF 50V AX. CER.	2	C161, C165	0986-00800-1300	74LS02	1	IC 6D	0986-00803-7400
.0022 MF 100V 10X MYLAR	12	C145-C156	0986-00800-1200	74LS04	1	IC 11C	0986-00803-6900
.047 MF 100V MYLAR	1	C139	0986-00800-2600	7406	1	IC 12F	0986-00803-6600
.01 MF 50V AX. CER.	47	CP2-CP12, CP14-CP19, CP21-CP27, CP29-CP33, CP35-CP46, CP48-CP51, C140, C173	0986-00800-2000	7474	1	IC 1A	0986-00803-7600
.1 MF 50V AX. CER.	34	C104-C127, C143, C501-C509	0986-00800-1100	74126	1	IC 6C	0986-00803-5900
1 MF 20V AX. TANT.	8	C134, C137, C157-C159, C162-C164	0986-00800-1400	74LS138	4	IC 13A	0986-00803-7300
10 MF 25V AX. TANT.	15	CP30, CP34, CP32, CP53, CP202-CP204, C101-C103, C131, C138, C166, C167, C172	0986-00800-0700	74LS174	1	IC 13C	0986-00803-7200
470 MF 16V AX. ELECT.	4	CP1, CP13, CP47, CP54	0986-00800-2700	74190	1	IC 10B	0986-00803-6100
22 OHM 1/4W 5X CRBN.	1	R164	0062-063B3-1XXX	74LS191	6	IC 11F	0986-00803-6700
100 OHM 1/4W 5X CRBN.	1	R239	0062-110B3-1XXX	74LS244	5	IC 12E	0986-00803-6800
220 OHM 1/4W 5X CRBN.	34	R108-R131, R162, R501-R509	0062-133B3-1XXX	IC2B, 4B, 5B	1	IC 12A	0986-00803-6500
300 OHM 1/4W 5X CRBN.	1	R231	0062-141B3-1XXX	13B	1	IC 11E	0986-00803-5100
330 OHM 1/4W 5X CRBN.	2	R160, R161	0062-144B3-1XXX	2E, 2F	1	IC 13B	0986-00803-5300
1K OHM 1/4W 5X CRBN.	3	R153, R227, R401	0062-179B3-1XXX	74LS245	1	IC 14B	0986-00803-7500
1.2K OHM 1/4W 5X CRBN.	3	R157, R158, R163	0062-183B3-1XXX	74LS273	2	IC 11D	0986-00803-9400
2.7K OHM 1/4W 5X CRBN.	7	R301-R306, R510	0062-199B3-1XXX	74LS367	1	IC3F-5F, 8F-10F	0986-00803-5600
3K OHM 1/4W 5X CRBN.	1	R233	0062-201B3-1XXX	74LS374	1	IC 12B, 4B, 5B	0986-00803-4800
4.7K OHM 1/4W 5X CRBN.	19	R101-R107, R165, R166, R225, R226, R228, R232, R234, R235, R402, R405-R407	0062-211B3-1XXX	74LS670	2	IC 11A	0986-00803-6400
5.6K OHM 1/4W 5X CRBN.	12	R173-R178, R197-R202	0062-215B3-1XXX	AY-3-8910	2	IC 14C	0986-00803-7000
10K OHM 1/4W 5X CRBN.	4	R146, R151, R155, R156	0062-227B3-1XXX	LM3900	1	IC 5A	0986-00803-4600
13K OHM 1/4W 5X CRBN.	6	R209-R211, R220-R222	0062-233B3-1XXX	MC3403	2	IC 9B, 11B	0986-00803-6300
24K OHM 1/4W 5X CRBN.	2	R179, R196	0062-245B3-1XXX	MC14016	3	IC 6F, 7F	0986-00803-8500
27K OHM 1/4W 5X CRBN.	2	R213, R224	0062-247B3-1XXX	MC14024	1	IC 3D	0986-00803-4900
33K OHM 1/4W 5X CRBN.	15	R135, R203-R208, R214-R219, R403, R404	0062-251B3-1XXX	PROMSB2A	1	IC 10C, 10E	0986-00803-5000
100K OHM 1/4W 5X CRBN.	2	R142, R148	0062-275B3-1XXX	74166	1	IC 7A	0986-00803-6200
180K OHM 1/4W 5X CRBN.	2	R138, R141	0062-287B3-1XXX	74LS244	1	IC 12C	0986-00803-7100
620K OHM 1/4W 5X CRBN.	4	R144, R145, R149, R150	0062-313B3-1XXX	74LS367	1	IC 12D	0986-00803-8200
1 MEG. OHM 1/4W 5X CRBN.	2	R152, R154	0062-323B3-1XXX	74LS374	1	IC 6A	0986-00803-8000
820 OHM 8 PIN S.I.P.	1	RM8	0986-00805-0800	74LS670	2	IC 7A	0986-00803-8000
1.8K OHM 10 PIN S.I.P.	1	RM9	0986-00805-0600	AY-3-8910	2	IC 8A	0986-00803-4600
2.7K OHM 10 PIN S.I.P.	4	RM2-RM5	0986-00805-0500	LM3900	1	IC 9A	0986-00803-6300
4.7K OHM 8 PIN S.I.P.	1	RM7	0986-00805-0400	MC3403	2	IC 10A	0986-00803-8500
4.7K OHM 10 PIN S.I.P.	2	RM1, RM14	0986-00805-0300	MC14016	3	IC 12A	0986-00803-5500

NOTE: ROM PART NUMBERS AT BACK OF CATALOG.

PROJECT ENG: C. MEDNICK		USED ON		REVISIONS	
DO NOT SCALE DWG		SCALE FULL		NO. REQ'D PER	
DIM. TOLERANCES UNLESS SPECIFIED		FRONT		BALLY / MIDWAY MFG. CO. FRANKLIN PK. ILL.	
UNCERTAINTY ± 0.005		DATE 12/19/83		PART NO. MO51-00986 - G015	
FRACTIONAL ± .005					
HOLE DIA ± .002 - .005					

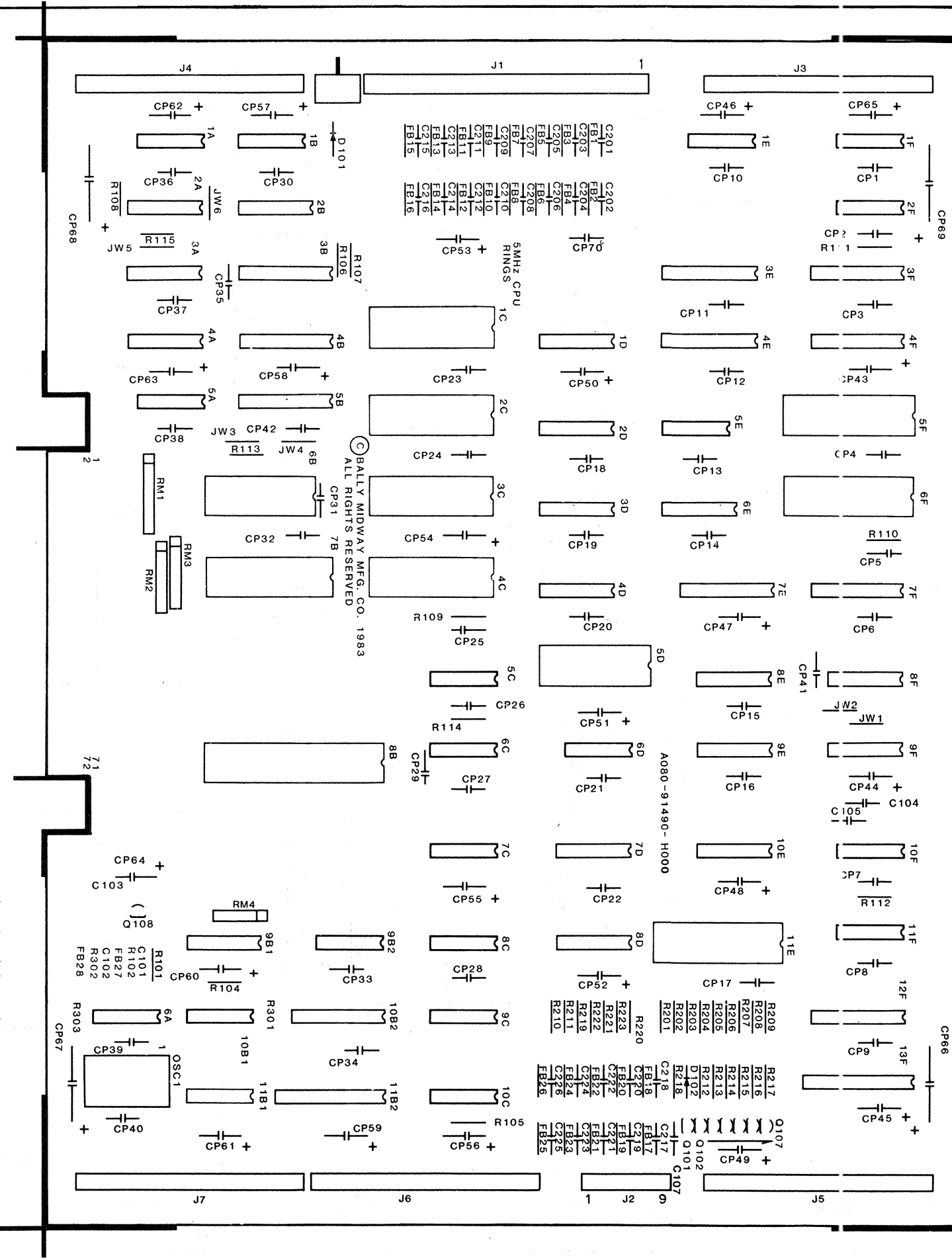


- 72 PIN TEST POINTS
- 1 L ODD
 - 2 L ODD
 - 3 L ODD
 - 4 L ODD
 - 5 L ODD
 - 6 L ODD
 - 7 L ODD
 - 8 L ODD
 - 9 L ODD
 - 10 L ODD
 - 11 L ODD
 - 12 L ODD
 - 13 L ODD
 - 14 L ODD
 - 15 L ODD
 - 16 L ODD
 - 17 L ODD
 - 18 L ODD
 - 19 L ODD
 - 20 L ODD
 - 21 L ODD
 - 22 L ODD
 - 23 L ODD
 - 24 L ODD
 - 25 L ODD
 - 26 L ODD
 - 27 L ODD
 - 28 L ODD
 - 29 L ODD
 - 30 L ODD
 - 31 L ODD
 - 32 L ODD
 - 33 L ODD
 - 34 L ODD
 - 35 L ODD
 - 36 L ODD
 - 37 L ODD
 - 38 L ODD
 - 39 L ODD
 - 40 L ODD
 - 41 L ODD
 - 42 L ODD
 - 43 L ODD
 - 44 L ODD
 - 45 L ODD
 - 46 L ODD
 - 47 L ODD
 - 48 L ODD
 - 49 L ODD
 - 50 L ODD
 - 51 L ODD
 - 52 L ODD
 - 53 L ODD
 - 54 L ODD
 - 55 L ODD
 - 56 L ODD
 - 57 L ODD
 - 58 L ODD
 - 59 L ODD
 - 60 L ODD
 - 61 L ODD
 - 62 L ODD
 - 63 L ODD
 - 64 L ODD
 - 65 L ODD
 - 66 L ODD
 - 67 L ODD
 - 68 L ODD
 - 69 L ODD
 - 70 L ODD
 - 71 L ODD
 - 72 L ODD

PROJECT ENG: R. WEYAND	DATE: 12/16/83	DESIGN: 5MHz CPU	REV: 01
DESIGNED BY: R. WEYAND	DATE: 12/16/83	SCHEMATIC DWG	NO. 00304-M-010
CHECKED BY: R. WEYAND	DATE: 12/16/83	ASSEMBLY DWG	
APPROVED BY: R. WEYAND	DATE: 12/16/83		

DESIGNATION LIST

DESIGNATION NO.	DESCRIPTION	DESIGNATION NO.	DESCRIPTION
CP1-CP42	.01 MF AX. CER.	IC 4A	74LS367
CP43-CP65	10 MF 25V AX. TANT.	IC 5A	74LS04
		IC 6A	74S04
CP66-CP69	470 MF 16V AX. ELECT.	IC 1B	74LS32
CP70	.01 MF AX. CER.	IC 2B	4017
C101	33 PF AX. CER.	IC 5B	MCM07
C102	47 PF AX. CER.	IC 4B, IC 5B	74LS244
C103	.1 UF AX. CER.	IC 6B	NV RAM
C104	.1 UF AX. CER.	IC 7B	Z80B CTC
C105	390 PF AX. CER.	IC 8B	Z80B
C107	390 PF AX. CER.	IC 9B1	74S161
C201-C216	390 PF AX. CER.	IC 9B2	74LS04
C217-C222	47 PF AX. CER.	IC 10B1	74LS08
C223-C226	820 PF AX. CER.	IC 10B2	MCM03
		IC 11B1	74LS86
R101	82K OHM 1/4W 5% CRBN.	IC 11B2	MCM01
		IC 1C, IC 2C,	EPROM
R102	39 OHM 1/4W 5% CRBN.	IC 3C, IC 4C	74LS74
R104, R105	1K OHM 1/4W 5% CRBN.	IC 5C, IC 6C	74LS04
		IC 7C	7427
R106-R108	4.7K OHM 1/4W 5% CRBN.	IC 8C	74LS20
		IC 9C, IC 10C	
R109-R114	1K OHM 1/4W 5% CRBN.	IC 1D	74LS139
		IC 2D, IC 3D,	74LS157
R115	4.7K OHM 1/4W 5% CRBN.	IC 4D, IC 7D	
		IC 8D	
R201	510 OHM 1/4W 5% CRBN.	IC 5D	RAM
		IC 6D	74LS32
R202	1K OHM 1/4W 5% CRBN.	IC 1E	74LS32
R203	2K OHM 1/4W 5% CRBN.	IC 3E, IC 4E	74LS245
R204	510 OHM 1/4W 5% CRBN.	IC 5E	74LS08
		IC 6E, IC 9E	74LS174
R205	1K OHM 1/4W 5% CRBN.	IC 7E	74LS273
		IC 8E	74LS153
R206	2K OHM 1/4W 5% CRBN.	IC 10E	74LS157
		IC 11E	93419
R207	510 OHM 1/4W 5% CRBN.	IC 1F, IC 2F	74LS86
		IC 3F, IC 4F,	74LS273
R208	1K OHM 1/4W 5% CRBN.	IC 7F	
		IC 5F, IC 6F	EPROM
R209	2K OHM 1/4W 5% CRBN.	IC 8F	74LS153
		IC 9F	74LS157
R210, R211	560 OHM 1/4W 5% CRBN.	IC 10F, IC 11F	74LS74
		IC 12F	MCM06
R212-R217	10 OHM 1/4W 5% CRBN.	IC 13F	MCM02
R218	1K OHM 1/4W 5% CRBN.	FB1-FB28	FERRITE BEAD
R219	100 OHM 1/4W 5% CRBN.	ICS 13FA,	8 PIN DIP SOCKET
		ICS 11B2A	
R220	820 OHM 1/4W 5% CRBN.	ICS 13FB,	16 PIN DIP SOCKET
		ICS 11B2B	
R221-R223	470 OHM 1/4W 5% CRBN.	ICS 3B, ICS 10B2,	20 PIN DIP SOCKET
		ICS 12F	
R301	82 OHM 1/4W 5% CRBN.	ICS 6B, 5D	24 PIN DIP SOCKET
R302, R303	68 OHM 1/4W 5% CRBN.	ICS 7B, ICS 1C-4C,	28 PIN DIP SOCKET
RM1	4.7K OHM 9 PIN SIP.	ICS 11E, ICS 5F,	
		ICS 6F	
RM2, RM3	4.7K OHM 8 PIN SIP.	ICS 8B	40 PIN DIP SOCKET
RM4	4.7K OHM 6 PIN SIP.	J1	20 PIN .156C CONN. OMIT 15
D101	1N5817	J2	9 PIN .100C CONN. OMIT 3
D102	1N4148	J3-J7	HEADER
Q101	2N4123	-	FLEX PACK JUMPERS
Q102-Q107	A 70	JW1-JW6	JUMPERS
Q108	2N4403	SW1	PUSH BUTTON SW.
OSC 1	20 MHZ ± 0.1% OSCILLATOR	A080-91490-H000	5 MHZ CPU BD.
IC 1A	74LS32		
IC 2A	4053		
IC 3A	74LS161		

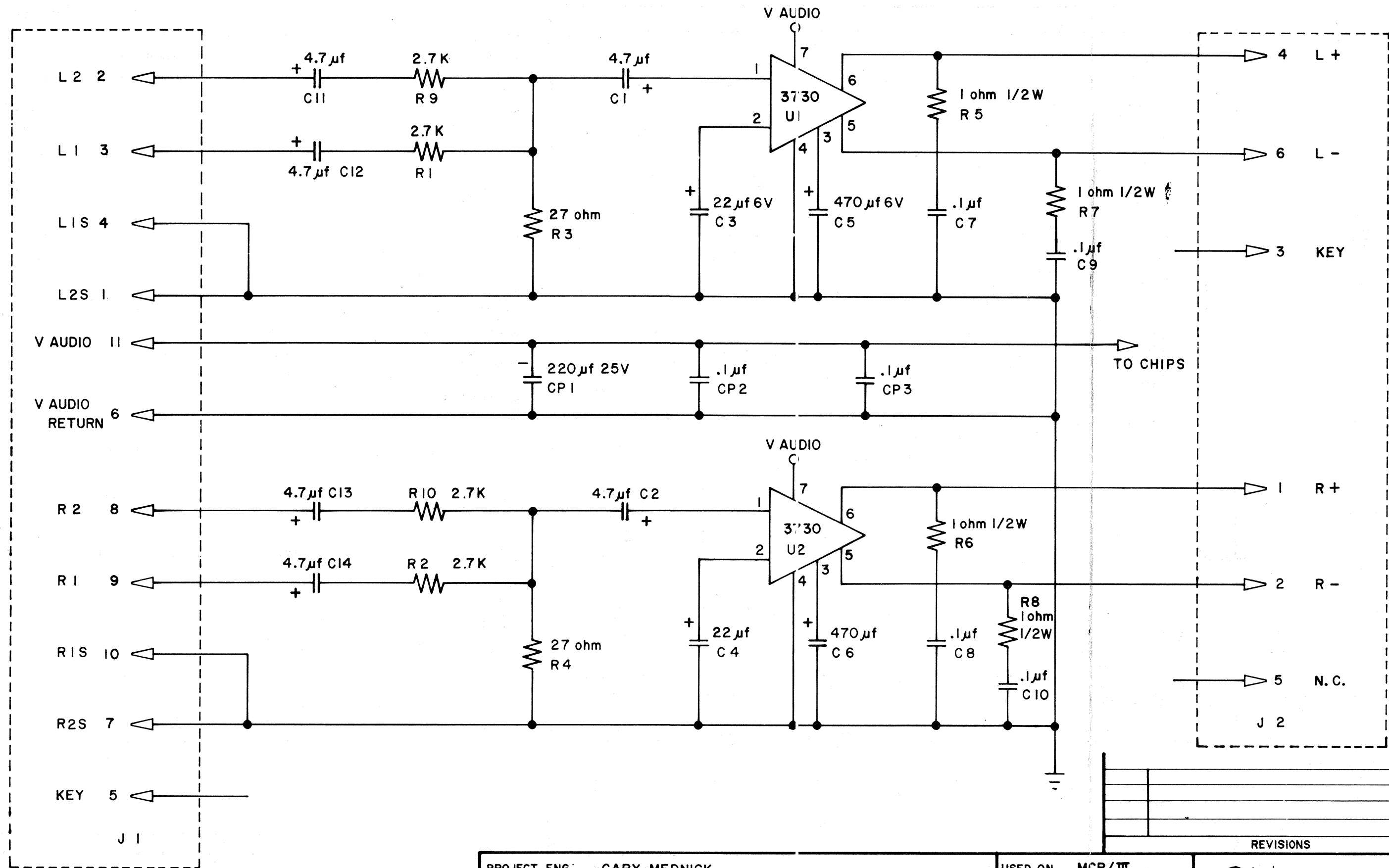


CROSS REFERENCE LIST

DESCRIPTION	QTY	DESIGNATION NO.	PART NOS.	DESCRIPTION	QTY	DESIGNATION NO.	PART NOS.
33 PF 50V AX. CER.	1	C101	0986-00800-0300	74LS32	4	IC 1A, 1B, 6D, 1E	0986-00803-0600
47 PF 50V AX. CER.	7	C102, C217-C222	0986-00800-2800	74LS74	4	IC 5C, 6C, 10F, 11F	0986-00803-1005
390 PF 50V AX. CER.	18	C105, C107, C201-C216	0986-00800-3000	74LS86	3	IC 11B1, 1F, 2F	0986-00803-9900
820 PF 50V AX. CER.	4	C223-C226	0945-00816-0400	74LS139	1	IC 1D	0304-00803-0042
.01 MF 50V 20% AX. CER.	43	CP1-CP42, CP70	0986-00800-2200	74LS153	2	IC 8E, 8F	0986-00803-1000
.1 MF 50V 20% AX. CER.	2	C103, C104	0986-00800-0200	74LS157	7	IC 2D, 3D, 4D, 7D, 8D	0986-00803-9700
10 MF 25V 10% AX. TANT.	23	CP43-CP65	0986-00800-3400	74LS161	1	IC 3A	0986-00803-1003
470 MF 16V AX. ELECT.	4	CP66-CP69	0986-00800-3300	74LS174	2	IC 6E, 9E	0986-00803-9800
10 OHM 1/4W 5% CRBN.	6	R212-R217	100E-00005-0011	74LS244	2	IC 4B, 5B	0986-00803-0800
39 OHM 1/4W 5% CRBN.	1	R102	100E-00005-0023	74LS245	2	IC 3E, 4E	0986-00803-0900
68 OHM 1/4W 5% CRBN.	2	R302, R303	100E-00005-0029	74LS273	4	IC 7E, 3F, 4F, 7F	0986-00803-1001
82 OHM 1/4W 5% CRBN.	1	R301	100E-00005-0031	74LS367	1	IC 4A	0986-00803-2200
100 OHM 1/4W 5% CRBN.	1	R219	100E-00005-0033	74S04	1	IC 6A	0986-00803-0400
470 OHM 1/4W 5% CRBN.	3	R221-R223	100E-00005-0051	74S161	1	IC 9B1	0304-00803-0038
510 OHM 1/4W 5% CRBN.	3	R201, R204, R207	100E-00005-0053	93419	1	IC 11E	0986-00803-9600
560 OHM 1/4W 5% CRBN.	2	R210, R211	100E-00005-0054	EPROM	6	IC 1C, 2C, 3C, 4C, 5F, 6F	SEE NOTE
820 OHM 1/4W 5% CRBN.	1	R220	100E-00005-0058	MMCO1	1	IC 11B2	0986-00803-8900
1K OHM 1/4W 5% CRBN.	12	R104, R105, R109-R114, R202, R205, R208, R218	100E-00005-0061	MMCO2	1	IC 13F	0986-00803-9000
2K OHM 1/4W 5% CRBN.	3	R203, R206, R209	100E-00005-0068	MMCO3	1	IC 10B2	0986-00803-9100
4.7K OHM 1/4W 5% CRBN.	4	R106-R108, R115	100E-00005-0079	MMCO7	1	IC 3B	0986-00804-3200
82K OHM 1/4W 5% CRBN.	1	R101	100E-00005-0112	NV RAM	1	IC 6B	0986-00803-8100
4.7K OHM 9 PIN SIP.	1	RM1	102E-00004-0024	RAM	1	IC 5D	0986-00803-1008
4.7K OHM 8 PIN SIP.	2	RM2, RM3	102E-00004-0025	Z80B	1	IC 8B	0304-00803-0041
4.7K OHM 6 PIN SIP.	1	RM4	102E-00004-0027	Z80B CTC	1	IC 7B	0304-00803-0040
1N5817	1	D101	103E-00003-0009	MCM06	1	IC 12F	0304-00803-9200
1N4148	1	D102	103E-00002-0005	FERRITE BEAD	28	FB1-FB28	0316-00804-0002
2N4123	1	Q101	104E-00001-0007	ICS 13FA,	2	ICS 13FA,	0986-00804-3600
A 70	6	Q102-Q107	104E-00002-0012	ICS 11B2A	2	ICS 11B2A	0986-00804-3700
2N4403	1	Q108	104E-00002-0006	ICS 13FB,	2	ICS 13FB,	0986-00804-3800
				ICS 11B2B	3	ICS 3B, ICS 10B2,	0986-00804-3800
20 MHZ ± 0.1% OSCILLATOR	1	OSC1	0304-00804-0007	ICS 12F	2	ICS 12F	0986-00804-3400
				ICS 6B, ICS 5D	2	ICS 6B, ICS 5D	0986-00804-3400
				ICS 7B, ICS 1C-4C,	8	ICS 7B, ICS 1C-4C,	0986-00804-3900
				ICS 11E, ICS 5F,	1	ICS 6F	0986-00804-3500
				ICS 8B	1	ICS 8B	0986-00804-3500
				FMD. HDR. .100C OMIT 3	1	J2	3000-16366-0902
				FMD. HDR. .156C OMIT 15	1	J1	3000-16387-2010
				HEADER	5	J3-J7	0986-00804-4700
				FLEX PACK JUMPERS	5	-	0986-00804-4800
				JUMPERS	6	JW1-JW6	0986-00804-4000
				PUSH BUTTON SW.	1	SW1	0986-00804-3100
				5 MHZ CPU BD.	1	A080-91490-H000	

NOTE: ROM PARTS NUMBERS AT BACK OF CATALOG.

PROJECT ENG: R. PLOUSSARD		USED ON	
DO NOT SCALE DWG.	HEAT TREAT	SCALE FULL	NO. REQ'D 1 PER
DIM. TOLERANCES UNLESS SPECIFIED	DRN RLL	ASSEMBLY DRAWING	
UNCERTAINTY ± 0.001	CHK.	5 MHZ CPU	
FRACTIONAL DECIMAL	FINISH	A082-91490-H000	
HOLE DIA ± 0.02 0.00	DATE 12/19/83	PART NO. M051 - 00304 - H009	

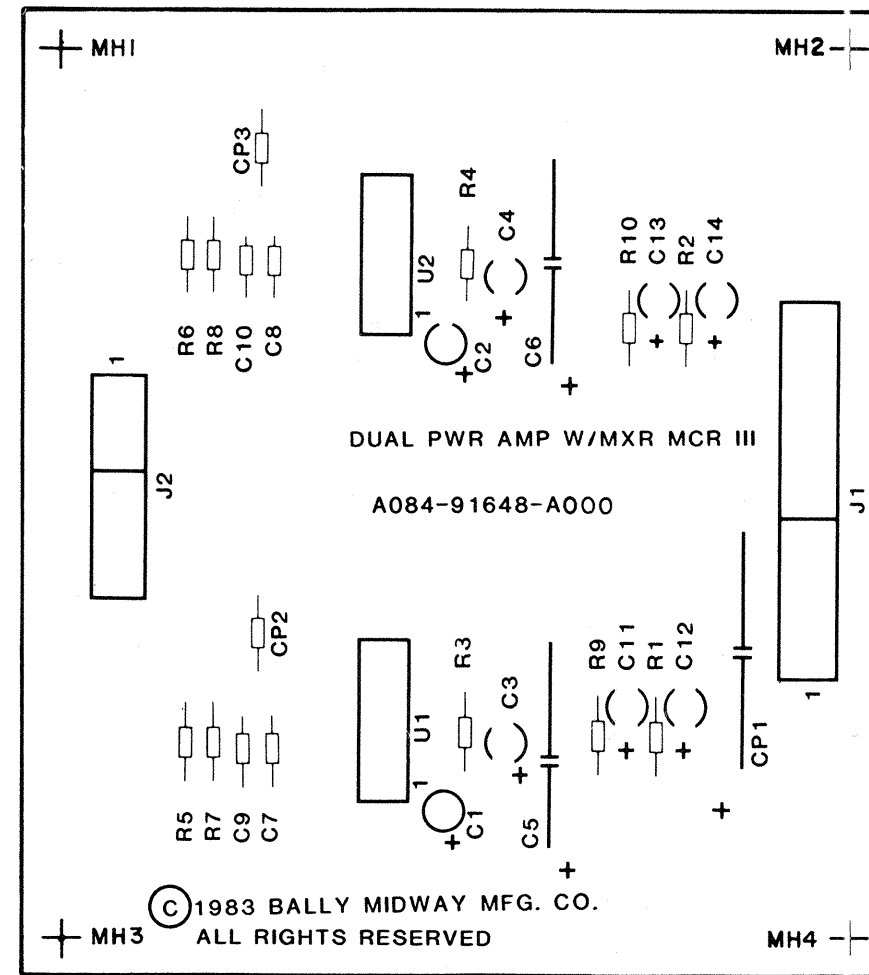


REVISIONS	

PROJECT ENG: CARY MEDNICK		USED ON MCR/III		Bally MIDWAY MFG. CO. FRANKLIN PK ILL	
DO NOT SCALE DWG		HEAT TREAT	SCALE	NO. REQ'D PER	
DIM TOLERANCES UNLESS SPECIFIED		MAT'L.	SCHEMATIC DRAWING		PART NO.
CONCENTRICITY ± .001		FINISH	DUAL PWR AMP W/MXR MCR III		M051 - 00304 - A013
FRACTIONAL ± .001		DATE 6/30/83	A084-91648-A000		
DECIMAL ± .005					
HOLE DIA + .002 000					

DESIGNATION LIST

DESIGNATION NO.	DESCRIPTION
C1,C2	4.7 MF 25V RD TANT.
C3,C4	22 MF 6V RD TANT.
C5,C6	470 MF 6V AX ELECT.
C7-C10	.1 MF 50V AX CR.
C11-C14	4.7 MF 25V RD TANT
CP1	220 MF 25V AX ELECT.
CP2,CP3	.1 MF 50V AX CR.
R1,R2	2.7K OHM 1/4W 5% CRBN.
R3,R4	27 OHM 1/4W 5% CRBN.
R5-R8	1 OHM 1/2W 5% CRBN.
R9,R10	2.7K OHM 1/4W 5%
U1,U2	MB3730
J1	.045 SQ. PIN
J2	.045 SQ. PIN
HSU1,U2	HEATSINK ASSY
MH1-MH4	1/4" SPACER FOR #8 SCREW
DUAL PWR AMP W/MXR	A080-91648-A000

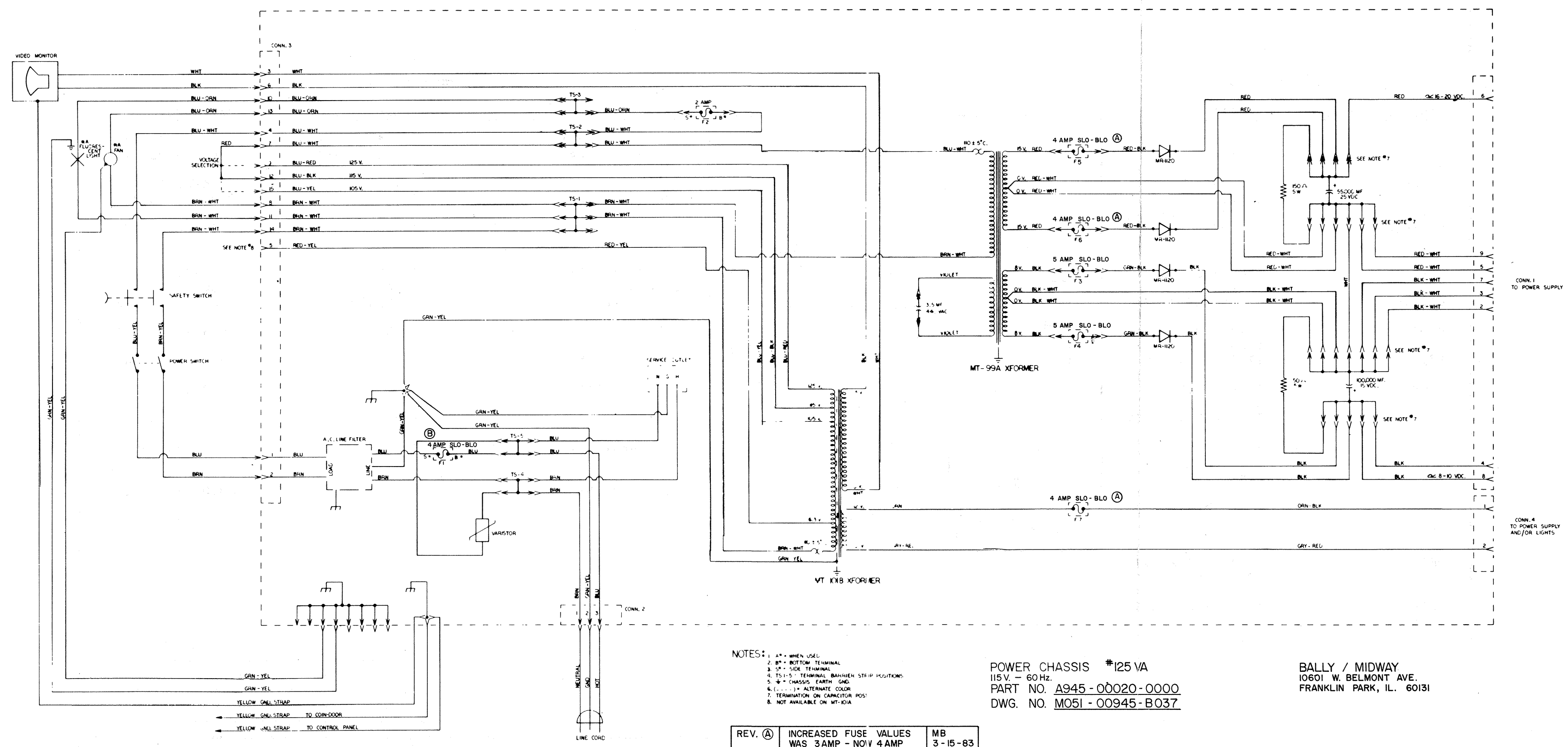


CROSS REFERENCE LIST

DESCRIPTION	QTY	DESIGNATION NO.	PART NOS.
.1 MF 50V AX CR.	6	C7-C10,CP2,CP3	0986-00800-1100
4.7 MF 25V RD TANT.	6	C1,C2,C11-C14	0986-00800-3100
22 MF 6V RD TANT	2	C3,C4	0986-00800-1600
220 MF 25V AX ELECT.	1	CP1	0986-00800-3200
470 MF 6V AX ELECT.	2	C5,C6	0986-00800-1700
1 OHM 1/2W 5%	4	R5-R8	0062-02603-1XXX
27 OHM 1/4W 5%	2	R3,R4	0062-068B3-1XXX
2.7K 1/4W 5%	4	R1,R2,R9,R10	0062-199B3-1XXX
MB3730	2	U1,U2	0066-188XX-XX4X
.045 SQ. PIN	5	J2	0017-00033-0480
.045 SQ. PIN	10	J1	0017-00033-0480
HEATSINK ASSY	2	HSU1,HSU2	A986-00010-0000
1/4" SPACER FOR #8 SCREW	4	MH1-MH4	0017-00042-0320
DUAL PWR AMP W/MXR	1		A080-91648-A000

REVISIONS	

PROJECT ENG: C. MEDNICK		USED ON MCR III		Bally / MIDWAY MFG. CO. FRANKLIN PK. ILL.	
DO NOT SCALE DIMS.		SCALE FULL	NO. REQ'D 1 PER		
DIM TOLERANCES UNLESS SPECIFIED		DRN. RLW	ASSEMBLY DWG.		PART NO.
UNLESS OTHERWISE SPECIFIED		CKD.	DUAL POWER AMP W/ MIXER MCR III		MO51 - 00304 - A012
HOLE DIA. + .002 .000		DATE 07/05/83	A080-91648-A000		



NOTES:
 1. * - WHEN USED.
 2. B* - BOTTOM TERMINAL.
 3. S* - SIDE TERMINAL.
 4. TS1-5 - TERMINAL BANQUET STRIP POSITIONS.
 5. * - CHASSIS EARTH GND.
 6. (...) - ALTERNATE COLOR.
 7. TERMINATION ON CAPACITOR POS.
 8. NOT AVAILABLE ON MT-101A.

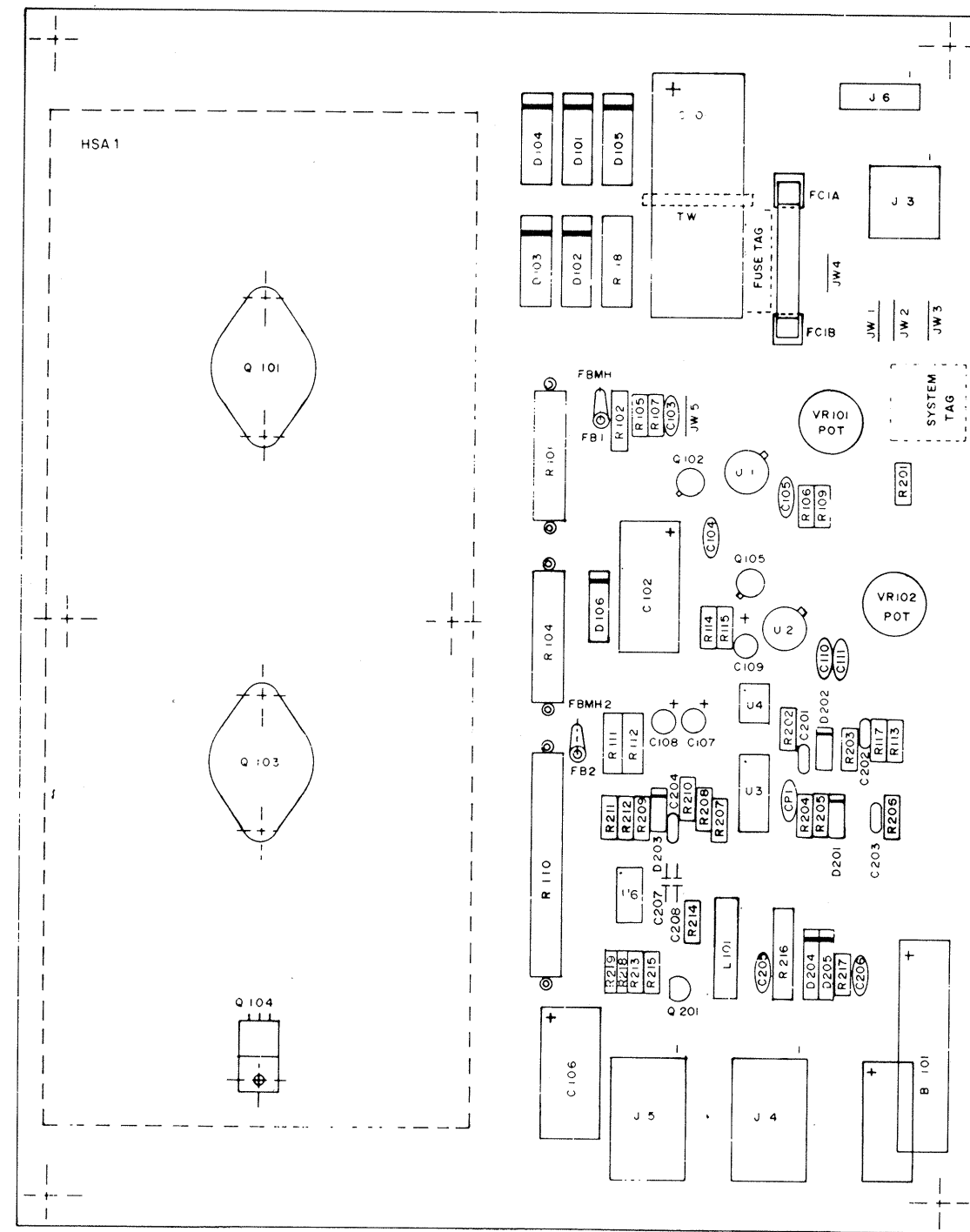
POWER CHASSIS *125 VA
 115 V. - 60 HZ.
 PART NO. A945-00020-0000
 DWG. NO. M051-00945-B037

BALLY / MIDWAY
 10601 W. BELMONT AVE.
 FRANKLIN PARK, IL. 60131

REV. (A)	INCREASED FUSE VALUES WAS 3 AMP - NOV 4 AMP ADDED PART NO. (UL)	MB 3-15-83
REV. (B)	INCREASED FUSE VALUE WAS 3AMP - NOV 4AMP	MB 3-24-83

DESIGNATION LIST

DESIGNATION #	DESCRIPTION	DESIGNATION #	DESCRIPTION
C101	4700uf AX. ELECT.		
C102	470uf AX. ELECT.		
C103	.1uf AX. CER.	D101	A15F
C104	.1uf AX. CER.	D102	A15F
C105	47pf AX. CER.	D103	A15F
C106	470uf AX. ELECT.	D104	A15F
C107	100uf RD. TANT.	D105	A15F
C108	1uf RD. TANT.	D106	1N4001
C109	4.7uf RD. TANT.	D201	1N4148
C110	.1uf AX. CER.	D202	1N4148
C111	.1uf AX. CER.	D203	1N4148
C201	.01uf MYLAR	D204	1N4001
C202	.033uf MYLAR	D205	1N4001
C203	.01uf MYLAR		
C204	.047uf MYLAR		
C205	820pf AX. CER.		
C206	.01uf AX. CER.		
C207	0.082uf MYLAR		
		Q102	2N2905
		Q105	2N2905
		Q201	2N4401
CP1	.1uf AX. CER.	U1	LM305 REG.
		U2	LM305 REG.
		U3	LM3900
		U4	4N28
		U6	555
R101	.18ohm 5W W/RES. SPACER		
R102	68ohm 1/2W 5%		
R104	10ohm 5W W/RES. SPACER	L101	.22uH INDUCTOR
R105	27ohm 1/4W 5%		
R106	270ohm 1/4W 5%		
R107	6.2K 1/4W 5%		
		B101	BATTERY 3.6VDC 60DEG-C
		F1	3 BA S BLO FUSE
R109	1K 1/4W 5%		
R110	.16ohm 15W W/RES. SPACER	FC1A,1B	FUSE CLIP
R111	6.8ohm 1/2W 5%		
R112	68ohm 1/2W 5%	FB1,2	FERRITE BEAD
R113	1.2K 1/4W 5%		
R114	47ohm 1/4W 5%		
R115	160ohm 1/4W 5%	TW1	TIE WRAP
R117	560ohm 1/4W 5%	J3	9PIN P.C. MOUNT CONN.(MALE)
R118	150ohm 2W	J4	15PIN P.C. MOUNT CONN.(FEMALE)
R201	270ohm 1/4W 5%	J5	15PIN P.C. MOUNT CONN.(MALE)
R202	1.2K 1/4W 5%	J6	3PIN P.C. MOUNT CONN.(MALE)
R203	1.1M 1/4W 5%		
R204	3.3M 1/4W 5%	LB1	FUSE TAG
R205	10M 1/4W 5%	LB2	SYSTEM TAG
R206	100K 1/4W 5%		
R207	33K 1/4W 5%	HSA1	HEAT SINK ASS'Y 1
R208	2M 1/4W 5%		
R209	1M 1/4W 5%	MHSA1	MOUNTING HARD WARE(HEAT SINK)
R210	1.2M 1/4W 5%		
R211	75K 1/4W 5%		
R212	75K 1/4W 5%		
R213	220K 1/4W 5%		
R214	3.9K 1/4W 5%		
R215	1.2K 1/4W 5%		
R216	82ohm 1W 10%	JW1-5	JUMPER WIRE
R217	270ohm 1/4W 5%		
R218	110K 1/4W 5%		
R219	68ohm 1/2W 5%	FBM1,2	FERRITE BEAD MOUNTING HARDWARE
VR101,102	100ohm POT		



DESCRIPTION	Q'ty	DESIGNATION #	PART #	DESCRIPTION	Q'ty	DESIGNATION #	PART #
.7pf AX. CER.	1	C105	0945-00811-0100	LM305 REG.	2	U1,2	0945-00813-0100
.120pf AX. CER.	1	C205	0945-00816-0400	FUSE 3/8A S-BLO	1	U6	0929-00810-4500
.31uf AX. CER.	2	C206,208	0945-00816-0100	FUSE CLIP	2	FC1A,1B	0945-00813-0200
.31uf MYLAR	2	C201,203	0945-00816-0200	TIE WRAP	1	TW1	0945-00813-0300
.333uf MYLAR	1	C202	0945-00816-0500	FERRITE BEAD	2	FB1,2	0017-00009-0225
.347uf MYLAR	1	C204	0945-00816-0300	FERRITE MOUNTING HDW.	2	FBM1,2	0017-00033-0139
0.082uf AX. CER.	1	C207	0945-00816-1900	BATTERY 3.6VDC 60DEG-C	1	B101	0017-00003-0377
.1uf AX. CER.	5	C103,104,110,111,CP1	0945-00811-0200	FUSE 3/8A S-BLO	1	F1	0945-00808-0400
1uf RAD. TANT.	1	C108	0915-00811-0300	FUSE CLIP	2	FC1A,1B	0017-00003-0214
4.7uf RAD. TANT.	1	C109	0945-00811-0400	TIE WRAP	1	TW1	0945-00814-0300
100uf RAD. TANT.	1	C107	0945-00811-0500	FERRITE BEAD	2	FB1,2	0017-00009-0225
470uf AX. ELECT.	2	C102,106	0945-00816-0600	FERRITE MOUNTING HDW.	2	FBM1,2	0017-00033-0139
470uf AX. ELECT.	1	C101	0945-00811-0700	BATTERY 3.6VDC 60DEG-C	1	B101	0017-00003-0377
				FUSE 3/8A S-BLO	1	F1	0945-00808-0400
.16ohm 15W 5%	1	R110	0945-00815-0100	FUSE CLIP	2	FC1A,1B	0017-00003-0214
.18ohm 5W 5%	1	R101	0945-00815-0200	TIE WRAP	1	TW1	0945-00814-0300
.8ohm 1/2W 5%	1	R111	0062-047D3-1XXX	FERRITE BEAD	2	FB1,2	0017-00009-0225
10ohm 5W 5%	1	R104	0945-00812-0100	FERRITE MOUNTING HDW.	2	FBM1,2	0017-00033-0139
27ohm 1/4W 5%	1	R105	0062-068B3-1XXX	BATTERY 3.6VDC 60DEG-C	1	B101	0017-00003-0377
47ohm 1/4W 5%	1	R114	0062-086B3-1XXX	FUSE 3/8A S-BLO	1	F1	0945-00808-0400
68ohm 1/2W 5%	3	R102,112,219	0062-098D3-1XXX	FUSE CLIP	2	FC1A,1B	0017-00003-0214
82ohm 1W 10%	1	R216	0062-104F5-1XXX	TIE WRAP	1	TW1	0945-00814-0300
150ohm 2W 5%	1	R118	0945-00812-0200	FERRITE BEAD	2	FB1,2	0017-00009-0225
160ohm 1/4W 5%	1	R115	0062-124B3-1XXX	FERRITE MOUNTING HDW.	2	FBM1,2	0017-00033-0139
270ohm 1/4W 5%	3	R106,201,217	0062-138B3-1XXX	BATTERY 3.6VDC 60DEG-C	1	B101	0017-00003-0377
560ohm 1/4W 5%	1	R117	0062-162B3-1XXX	FUSE 3/8A S-BLO	1	F1	0945-00808-0400
1K 1/4W 5%	1	R109	0062-179B3-1XXX	FUSE CLIP	2	FC1A,1B	0017-00003-0214
1.2K 1/4W 5%	3	R113,202,215	0062-183B3-1XXX	TIE WRAP	1	TW1	0945-00814-0300
3.9K 1/4W 5%	1	R214	0062-207B3-1XXX	FERRITE BEAD	2	FB1,2	0017-00009-0225
6.2K 1/4W 5%	1	R107	0062-207B3-1XXX	FERRITE MOUNTING HDW.	2	FBM1,2	0017-00033-0139
33K 1/4W 5%	1	R207	0062-217B3-1XXX	BATTERY 3.6VDC 60DEG-C	1	B101	0017-00003-0377
75K 1/4W 5%	2	R207	0062-251B3-1XXX	FUSE 3/8A S-BLO	1	F1	0945-00808-0400
100K 1/4W 5%	1	R211,212	0062-269B3-1XXX	FUSE CLIP	2	FC1A,1B	0017-00003-0214
10K 1/4W 5%	1	R206	0062-275B3-1XXX	TIE WRAP	1	TW1	0945-00814-0300
220K 1/4W 5%	1	R218	0062-277B3-1XXX	FERRITE BEAD	2	FB1,2	0017-00009-0225
1M 1/4W 5%	1	R213	0062-291B3-1XXX	FERRITE MOUNTING HDW.	2	FBM1,2	0017-00033-0139
1.1M 1/4W 5%	1	R209	0062-323B3-1XXX	BATTERY 3.6VDC 60DEG-C	1	B101	0017-00003-0377
1.2M 1/4W 5%	1	R203	0062-325B3-1XXX	FUSE 3/8A S-BLO	1	F1	0945-00808-0400
2M 1/4W 5%	1	R210	0062-327B3-1XXX	FUSE CLIP	2	FC1A,1B	0017-00003-0214
3.3M 1/4W 5%	1	R208	0062-337B3-1XXX	TIE WRAP	1	TW1	0945-00814-0300
10M 1/4W 5%	1	R204	0062-347B3-1XXX	FERRITE BEAD	2	FB1,2	0017-00009-0225
		R205	0062-371B3-1XXX	FERRITE MOUNTING HDW.	2	FBM1,2	0017-00033-0139
100ohm POT	2	VR101,102	0945-00814-0000	BATTERY 3.6VDC 60DEG-C	1	B101	0017-00003-0377

CROSS REFERENCE LIST

PROJ. ENG.: L. DEKKER		USED ON: SATAN'S HOLLOW		MIDWAY MFG. CO.	
DO NOT SCALE DWG	SCALE: FULL	NO REQ'D	FRANKLIN PK ILL		
ASSEMBLY DRAWING 125VA PWRSPLY		PART NO:		M051-00945-0006	
DATE: 5/17/82		A082-90412-D000			