

TANK II

Operation · Maintenance · Service Manual



KEE GAMES

A Subsidiary of Atari

ATARI, INC · 14600 Winchester Blvd · Los Gatos, CA 95030 · 408/374-2440 · Telex 357-488

TANK II



ASSEMBLY TITLE / TOP ASSEMBLY - TANK II

P/L 003521

PARTS LIST SPECIFICATION

Page 1 of 1

Drawn

Checked

M.J. 5/20/75

Mech. Eng.

Proj. Eng.

P. J. M. C. H.

Elec. Eng.

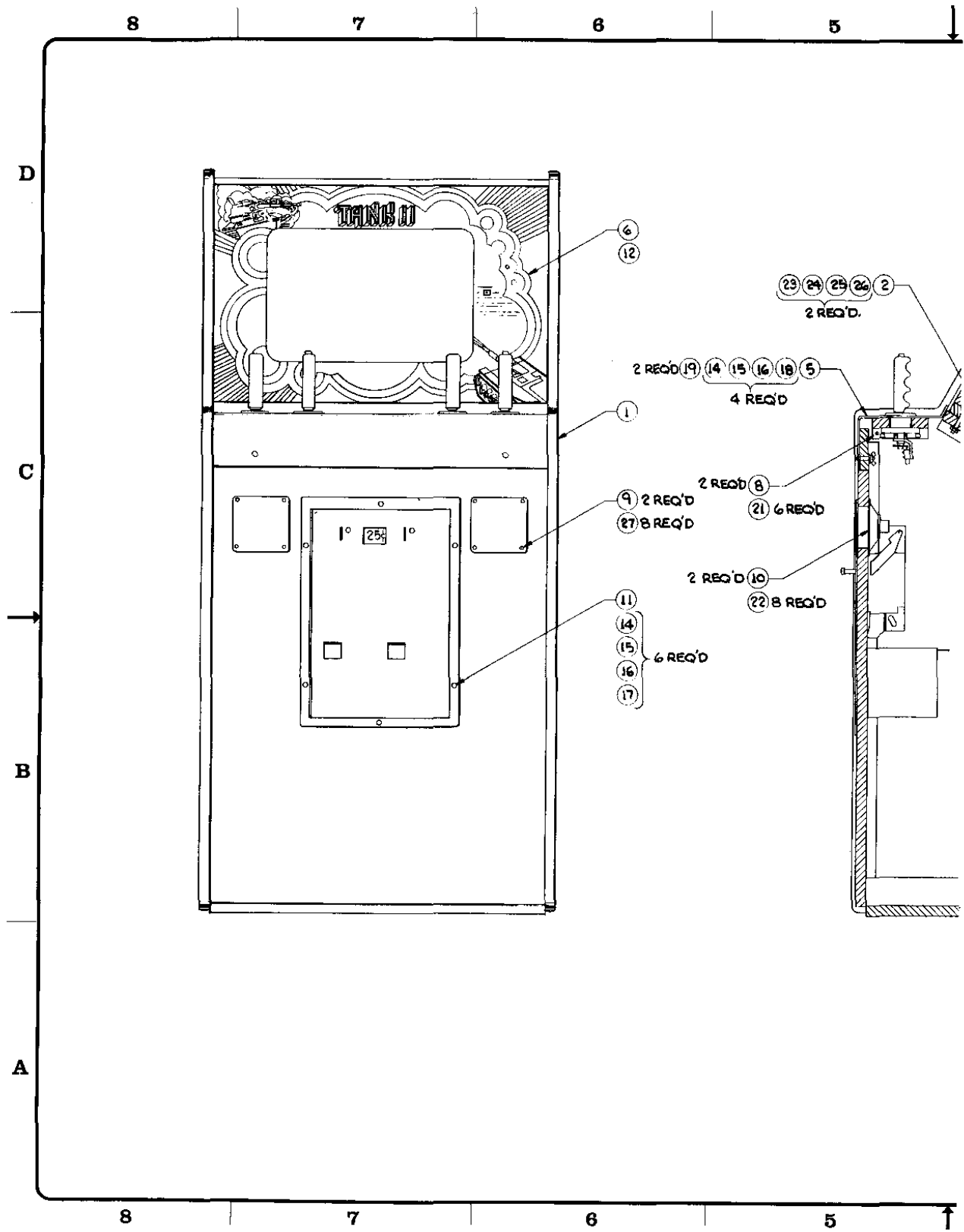
REV.

A

Rev.	Description	Date	Apprv.	Rev.	Description	Date	Apprv.
A	PROD REL	5/1/75	Z. H.				

Item	Part Number	Qty.	DESCRIPTION
1	A003522	1	Cabinet Assembly
2	A003544	1	TV Mount Board Assembly
3	A003534	1	PC Mount Board Assembly
4	A003538	1	Electronics Tray Assembly
5	A003540	1	Control Panel Assembly
6	003543	1	Plex Screen W/Artwork
7	001573	1	Retainer, Upper Plex.
8	002728	2	Panel Mtg. Brackets
9	000869	2	Speaker, Grill
10	* 48-004	2	Speaker, 4"
11	A003637	1	Coin Door Assembly
12	003542	1	"Coin" Decal
13	71-2112	1	Lock, Mech., Barrel Cartridge
14	75-5120N	12	Bolt, Carriage, #10-24 x 1.25" Long
15	75-010S	10	Washer, Flat, #10
16	75-040	12	Washer, Split-Lock, #10
17	75-911S	6	Nut, Hex, #10-24
18	75-931	6	Nut, Wing, #10-24
19	75-035S	2	Washer, Flat, 1/4" Wide Pattern
20	72-6620	4	Screw, SM, Pan Hd., Phil. #6 x 1.25" Lg.
21	72-6812	6	Screw, SM, Pan Hd., Phil. #8 x .75" Lg.
22	72-6608	8	Screw, SM, Pan Hd., Phil. #6 x .50" Lg.
23	75-5844	2	Bolt, Carriage, #4-20 x 2.75" Lg.
24	75-015S	2	Washer, Flat, 1/4"
25	75-045	2	Washer, Split Lock, 1/4"
26	75-935	2	Nut, Wing, 1/4-20
27	73-77004	8	Pop Rivet, Alum. 3/16" DIA. x .68 Lg.
28	003752	1	Bezel, Cardboard

* This speaker may be replaced by any speaker previously used on TANK.





ASSEMBLY TITLE / JOYSTICK ASSY (UP, DOWN & FIRE) P/L 002303-01

PARTS LIST SPECIFICATION Page 1 of 1

Drawn
 Checked *M.J. 5/20/75* Mech. Eng. *[Signature]*
 Proj. Eng. Elec. Eng. *[Signature]* REV. E

Rev.	Description	Date	Apprv.	Rev.	Description	Date	Apprv.
A	PROD REL	4-3-75	<i>[Signature]</i>				
B	Rev per ECN 1285	4-3-75	<i>[Signature]</i>				
C	Rev per ECN 1333	4/21/75	<i>[Signature]</i>				
D	Rev per ECN 1470	6/6/75	<i>[Signature]</i>				
E	Rev per ECN 1503		<i>[Signature]</i>				

Item	Part Number	Qty.	DESCRIPTION
1	002299	1	Button
2			
3	002302	1	Spring Return
4			
5	002298	1	Rod
6	002294	1	Bushing
7	002296	2	Washer, Return
8	002293	1	Hub
9	002297	1	Spacer Ring
10	003207	1	Switch Plate 11
11	002301	1	Bracket, Switch
12	002300	1	Actuator
13	A003583-01	1	Handle Assy
14	75-2412S	2	Screw, Mach, Rd Hd, Phil #4-40x3/4
15	75-044	2	Washer, Split Lock, #4
16	75-914S	2	Nut, Hex #4-40
17	75-991202	1	Nut, Hex 1/4-28
18	75-019S	1	Washer, Flat, 5/16
19	75-06003	2	Washer, Belleville Spring
20	72-6410	4	Screw, Sheet Metal, Phil. #4 x 5/8
21	72-6412	4	Screw, Sheet Metal, Phil. #4 x 3/4
22	**65-081A	3	Micro Switch
23			
24	75-912S	2	Nut, Hex, #2-56

Notes:
 * Optional Handle Grip See DWG No. 003092
 ** Acceptable Substitutes
 65-091A, 65-101A, 65-111A.



ASSEMBLY TITLE / JOYSTICK ASSY (DUMMY BUTTON) P/L 002303-02

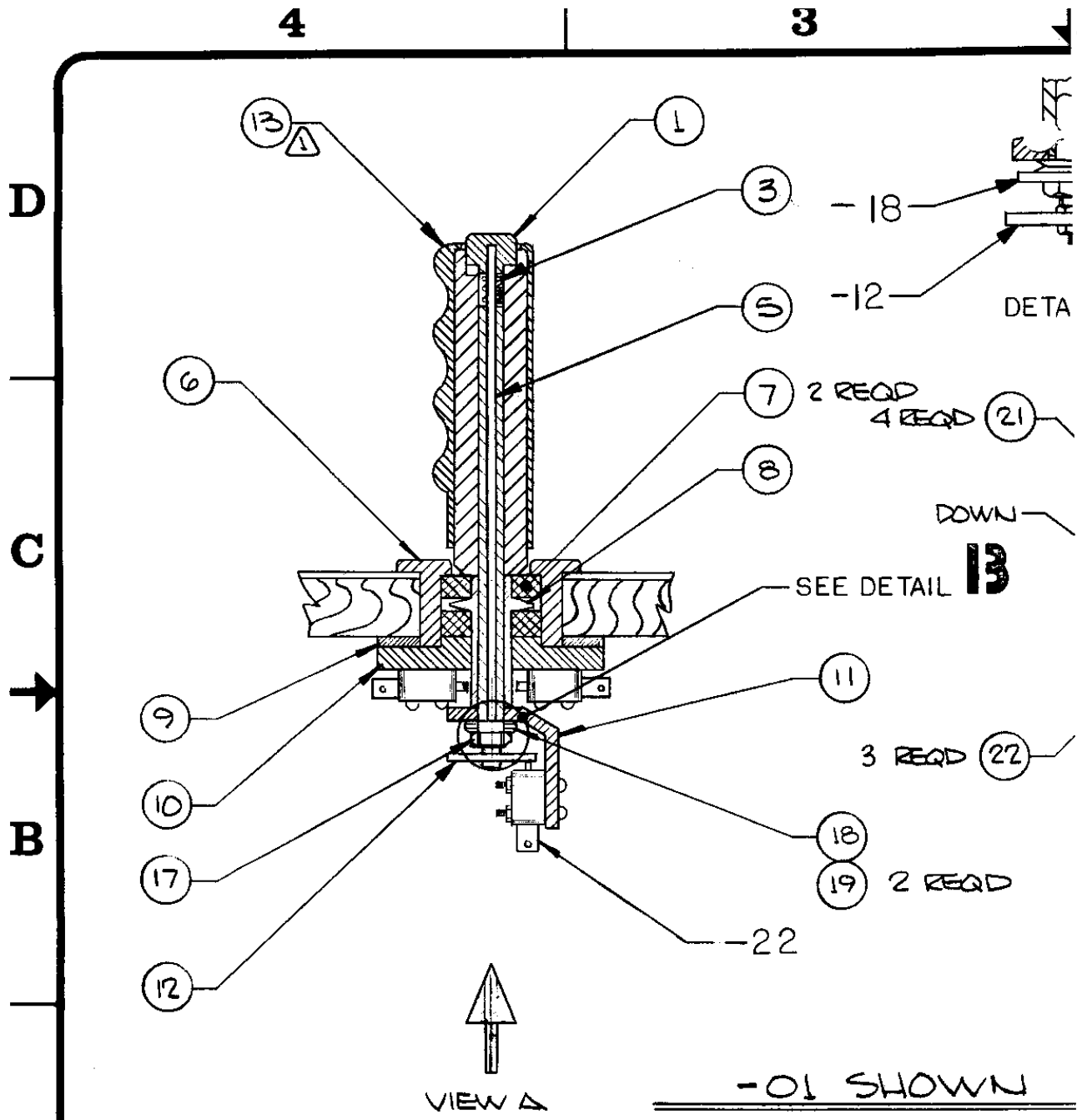
PARTS LIST SPECIFICATION Page 1 of 1

Drawn
 Checked *M.J. 5/20/75* Mech. Eng. *E.R.*
 Proj. Eng. Elec. Eng
 REV. E

Rev.	Description	Date	Apprv.	Rev.	Description	Date	Apprv.
B	Prod Rel/ECN 1285	4-3-75	<i>[Signature]</i>				
C	Rev per ECN 1333	4/21/75	<i>[Signature]</i>				
D	Rev per ECN 1470	6/6/75	<i>[Signature]</i>				
E	Rev per ECN 1503		<i>[Signature]</i>				

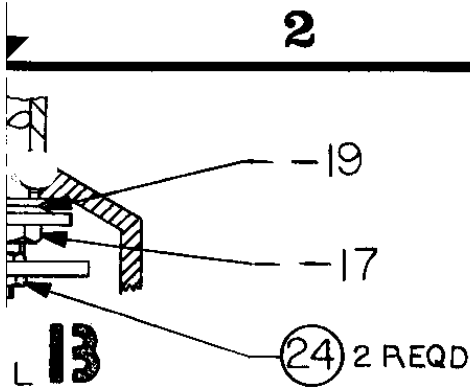
Item	Part Number	Qty.	DESCRIPTION
1		1	Bushing
2	002294	2	Washer, Return
3	002296	1	Hub
4	002293	1	Spacer Ring
5	002297	1	Switch Plate 11
6	003207	1	Handle Assy
7	A003583-02	1	Nut, Hex, 1/8-28
8	75-991202	2	Washer, Flat, 5/16
9	75-019S	4	Screw, Sheet Metal, Phil. #4 x 5/8
10	72-6410	4	Screw, Sheet Metal, Phil. #4 x 3/4
11	72-6412	2	Switch
12	**65-081A		

Notes:
 * Optional Handle Grip See DWG No. 003082
 ** Acceptable Substitutes
 65-091A
 65-110A
 65-111A

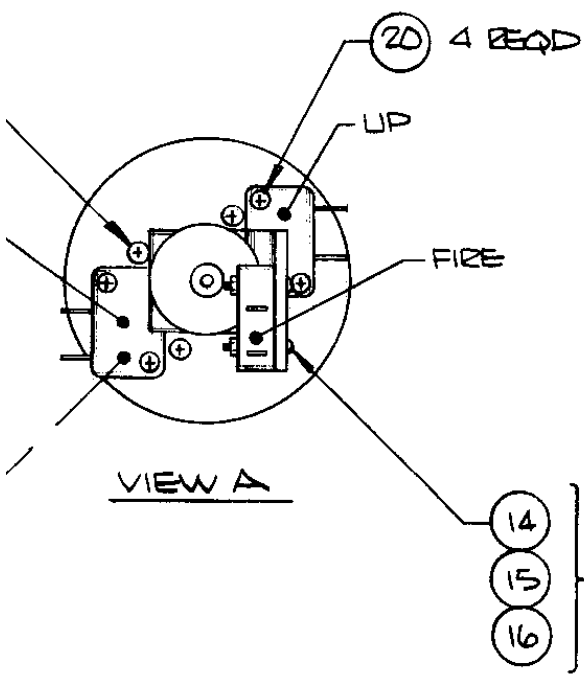


NOTICE TO ALL PERSONS RECEIVING THIS DRAWING
 CONFIDENTIAL: Reproduction Forbidden without the specific written permission of Atari Inc., Los Gatos, California. This drawing is only conditionally issued, and neither receipt nor possession thereof confers or transfers any right in, or license to use, the subject matter of the drawing or any design or technical information shown thereon, nor any right to reproduce this drawing or any part thereof, except for manufacture by vendors for Atari Incorporated and for manufacture under the corporation's written license, no right to reproduce this drawing is granted or the subject matter thereof unless by written agreement with or written permission from the corporation.


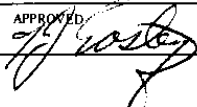
A0023
NEXT ASSY
APPLIC



REVISIONS				
SYM	DESCRIPTION	INITIALS and DATE		
		DRFTG.	CHECK	ENGRG.
A	PROD REL	1-14-75	DL	WS
B	REV PER ECN 1285	4-3-75	DL	WS
C	REV. PER ECN.1333SH.1	TEW	4/17/75	WS
D	REV. PER ECN 1470	6-6-75	DL	WS
E	REV PER ECN 1503	6-19-75	DL	WS



NOTES:
 ⚠ HANDLE ASSY IS NOT TO BE TIGHT AFTER TOTAL ASSY. HANDLE ASSY SHOULD ROTATE.

INTERPRET THIS DRAWING PER USAS1 Y14.5 UNLESS OTHERWISE SPECIFIED DIMENSIONS ARE IN INCHES TOLERANCES ON: FRACTIONS = ±1/16 .x = ±.1 ANGLES = ±1° .xx = ±.03 SURFACE FINISH ✓ .xxx = ±.010	DRAWN BY ZOOK	DATE 1-14-75	 ATARI INCORPORATED 14600 Winchester Boulevard Los Gatos, California 95030	
	CHECKED DESIGN ENGINEER PROJECT ENGINEER DOCUMENT CONTROL	TITLE ASSY, JOYSTICK (UP, DOWN & FIRE)		
MATERIAL: SEE PL 002303-01	APPROVED 	SIZE B	DRAWING NO. Δ002303-01	REV E
USED ON ACTION	SCALE		SHEET 1 OF	

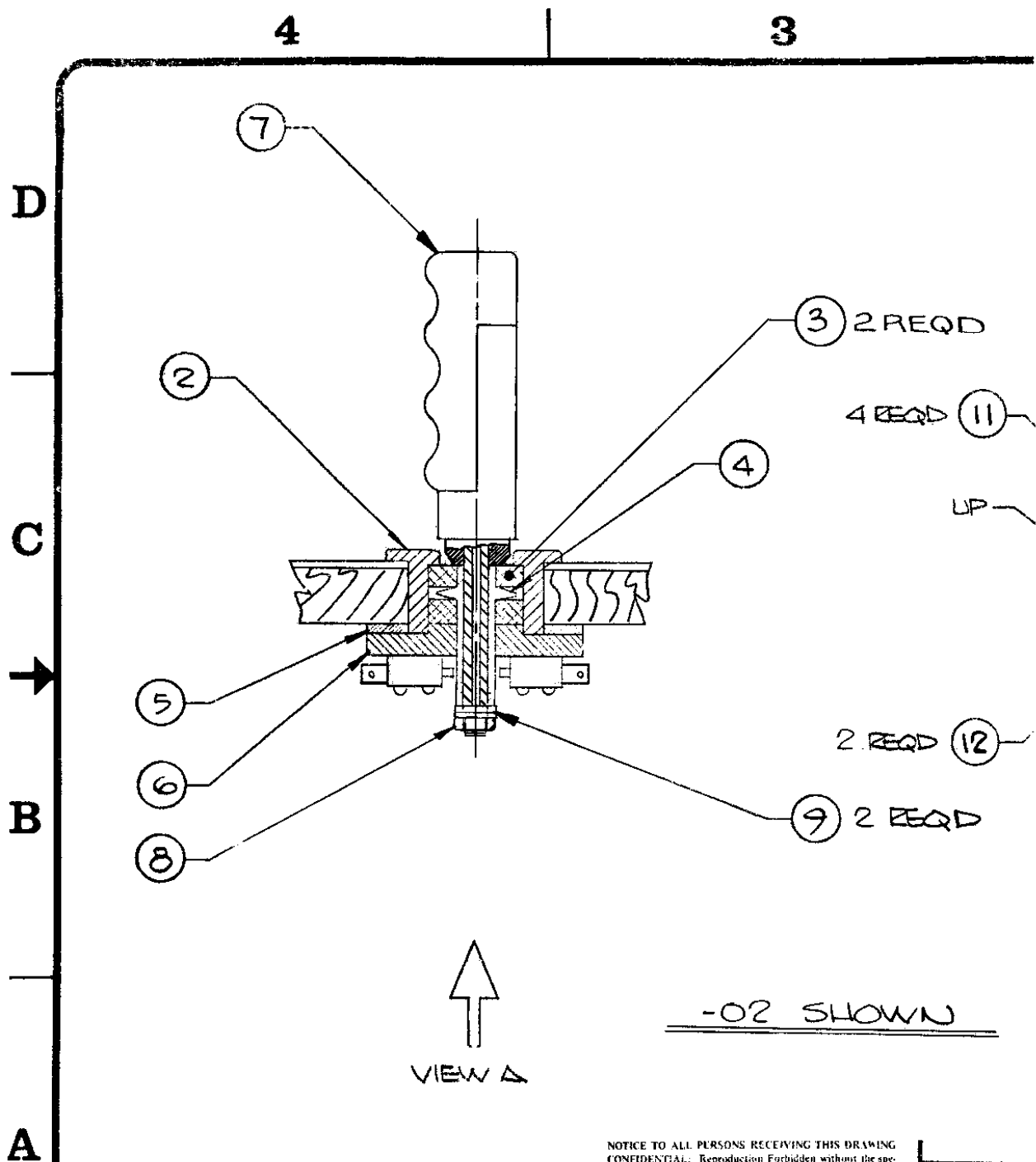
D
C
B
A

2

1

2

1

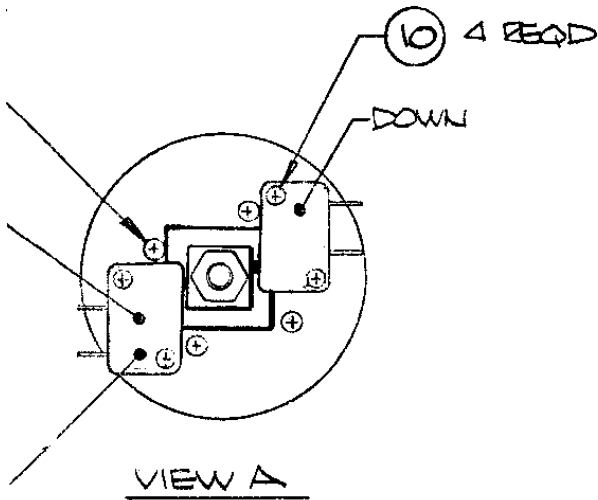


NOTICE TO ALL PERSONS RECEIVING THIS DRAWING
 CONFIDENTIAL: Reproduction Forbidden without the specific written permission of Atari Inc., Los Gatos, California. This drawing is only conditionally issued and neither receipt nor possession thereof confers or transfers any right in, or license to use, the subject matter of the drawing or any design or technical information shown thereon, nor any right to reproduce this drawing or any part thereof, except for manufacture by vendors for Atari Incorporated and for manufacture under the corporation's written license, no right to reproduce this drawing is granted or the subject matter thereof unless by written agreement with or written permission from the corporation.

10025
NEXT ASS
APP.

2 1

REVISIONS				
SYM	DESCRIPTION	INITIALS and DATE		
		DRFTG.	CHECK	ENGL'S
B	SEE SUT 1	-	-	-
C	REV. PER ECN.1333 SH.2	TEW.	9/21/75	EX.
D	REV. PER EC N 1470	66-75	XXX	WS
E	REV PER ECN 1503	6-19-75	XX	DC

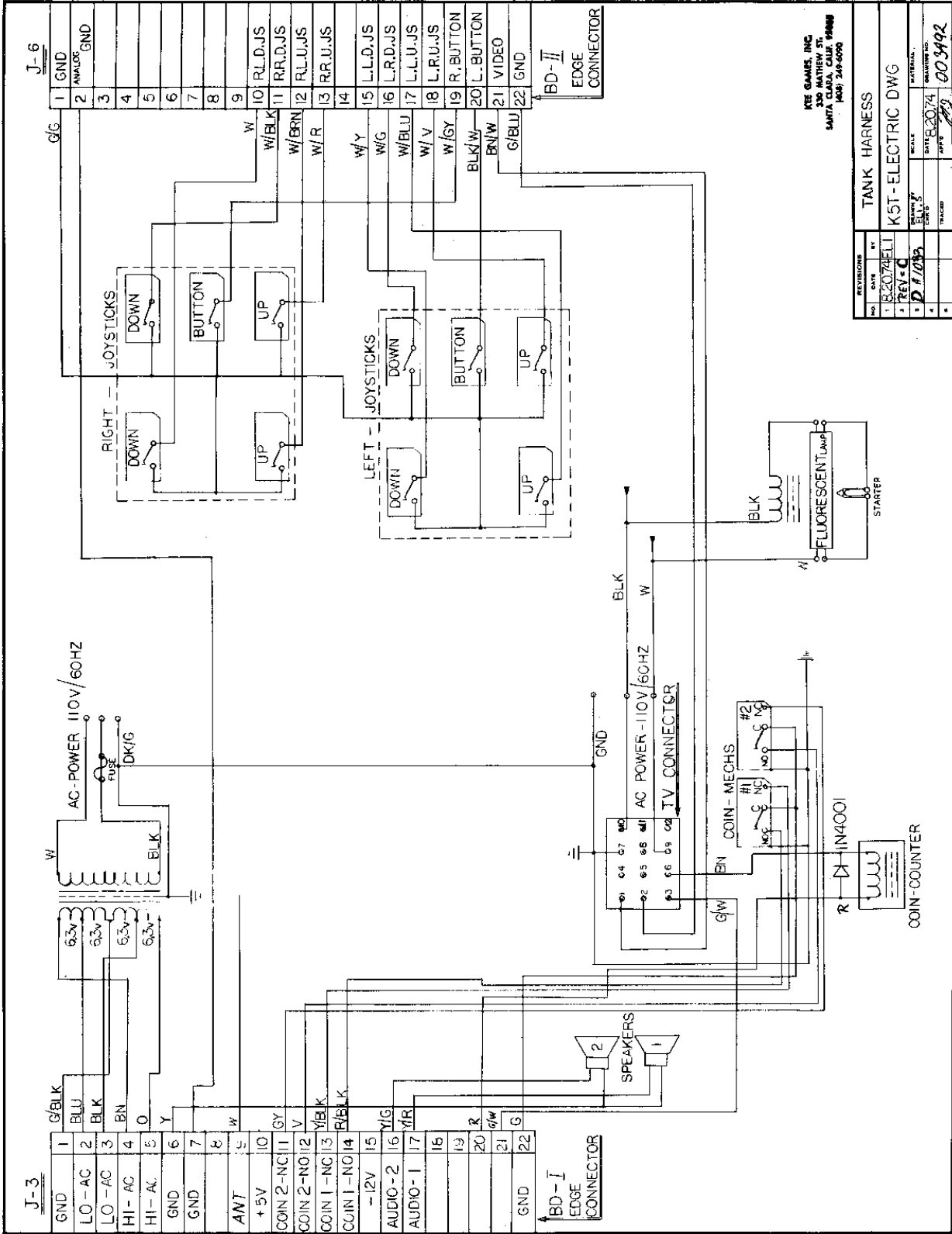


NOTES:

- ⚠ HANDLE ASSY IS NOT TO BE TIGHT AFTER TOTAL ASSY. HANDLE ASSY SHOULD ROTATE.

INTERPRET THIS DRAWING PER USASI Y14.5	DRAWN BY <u>ZOOK</u> DATE <u>1-14-75</u>	<p>ATARI INCORPORATED 14600 Winchester Boulevard Los Gatos, California 95030</p>												
UNLESS OTHERWISE SPECIFIED DIMENSIONS ARE IN INCHES TOLERANCES ON: FRACTIONS = +1/16 .X = +.J ANGLES = ±1° .XX = ±.03 SURFACE FINISH ✓ .XXX = ±.010	CHECKED _____ DESIGN ENGINEER <u>[Signature]</u> PROJECT ENGINEER _____	TITLE <p style="font-size: 1.2em; font-weight: bold;">ASSY, JOYSTICK (DUMMY BUTTON)</p>												
MATERIAL: <p style="font-size: 1.2em; font-weight: bold;">SEE PL 002303-02</p>	DOCUMENT CONTROL <u>MJ</u> APPROVED <u>[Signature]</u>	<table style="width: 100%; border: none;"> <tr> <td style="border: none;">SIZE</td> <td style="border: none;">DRAWING NO.</td> <td style="border: none;">REV</td> </tr> <tr> <td style="border: none;">B</td> <td style="border: none;">Δ002303-02</td> <td style="border: none;">E</td> </tr> <tr> <td style="border: none;">SCALE</td> <td style="border: none;">SHEET</td> <td style="border: none;">OF</td> </tr> <tr> <td style="border: none;"></td> <td style="border: none;">2</td> <td style="border: none;">2</td> </tr> </table>	SIZE	DRAWING NO.	REV	B	Δ002303-02	E	SCALE	SHEET	OF		2	2
SIZE	DRAWING NO.	REV												
B	Δ002303-02	E												
SCALE	SHEET	OF												
	2	2												

2 1



THE GAUGE, INC.
 5500 MARKET STREET
 SANTA CLARA, CALIF. 95050
 (408) 246-0090

REVISIONS		BY		DATE	
1	REV - C	1	REV - C	1	REV - C
2	REV - D	2	REV - D	2	REV - D

TANK HARNESS
 K5T-ELECTRIC DWG
 SCALE: 1" = 1'-0"
 DATE: 03/74
 DRAWING NO: 603992

TANK II



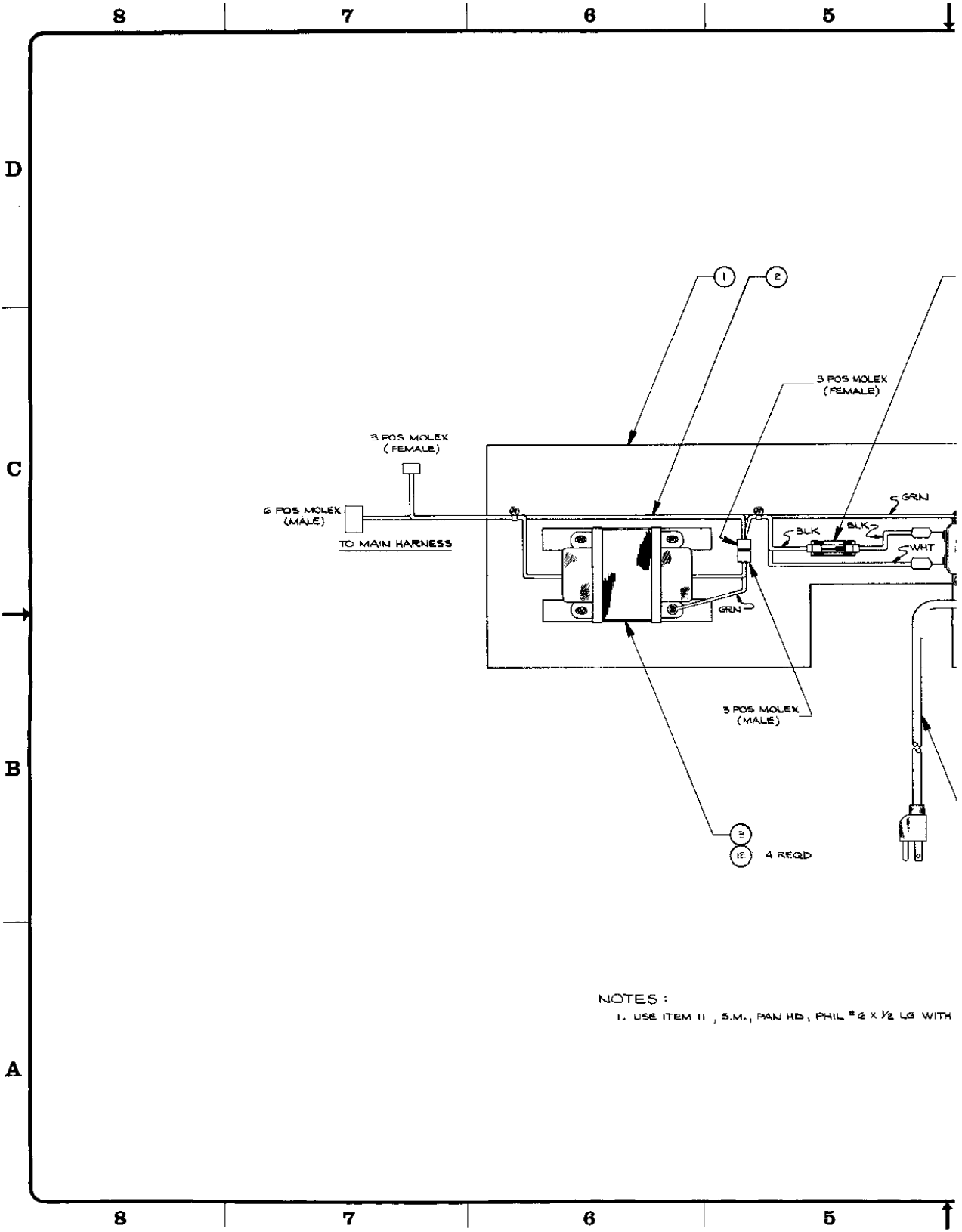
ASSEMBLY TITLE / ELECTRONICS TRAY ASSEMBLY P/L 003538

PARTS LIST SPECIFICATION Page 1 of 1

Drawn
 Checked *M.J. 9/11/75* Mech. Eng. *B...*
 Proj. Eng. *...* Elec. Eng. *...* REV. B

Rev.	Description	Date	Apprv.	Rev.	Description	Date	Apprv.
A	PROD REL	5-1-75	<i>[Signature]</i>				
B	Rev per ECN 1616	9-11-75	<i>[Signature]</i>				

Item	Part Number	Qty.	DESCRIPTION
1	003539	1	Electronics Tray
2	A003492	1	Main Harness Assy. (K5-T)
3	A003560-01	1	Transformer Assy.
4	A003460	1	AC Power Harness Assy.
5	A004244	1	8" Power Cord Assy
6	46-202202	1	Fuse
7	90-3001	1	Filter, Power Line
8	68-001	1	A.C. Power Interlock Switch
9	000268	1	Bracket, Switch MTG.
10	78-25002	2	Screw Down, Tie Wrap
11	72-6608	8	Screw, SM, Pan Hd, Phil #6 x 1/2" Lg.
12	72-6824	4	Screw, SM, Pan Hd, Phil #8 x 1 1/2" Lg.

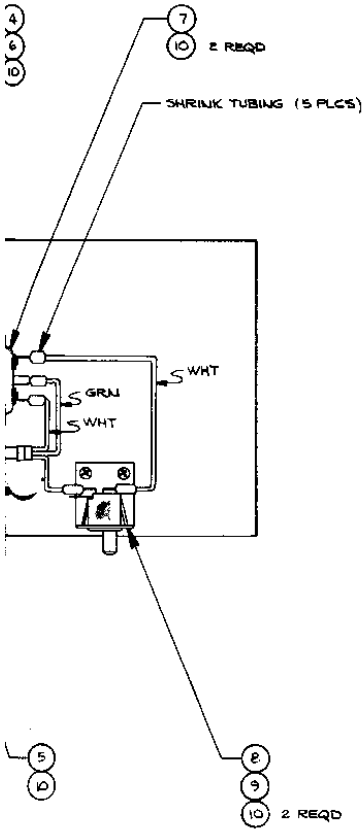


NOTES:
 1. USE ITEM 11, 5.M., PAN HD, PHIL # 6 X 1/2 LG WITH

4 REQD

4 3 2 1

REVISIONS				
SYM	DESCRIPTION	DETAILS and DATE		
		DRAFT	CHECK	ENGRG
B.	REVISED PER ECH 1616	ME	B-20-75	[Signature]



D
C
B
A

ARNESS TIE DOWNS

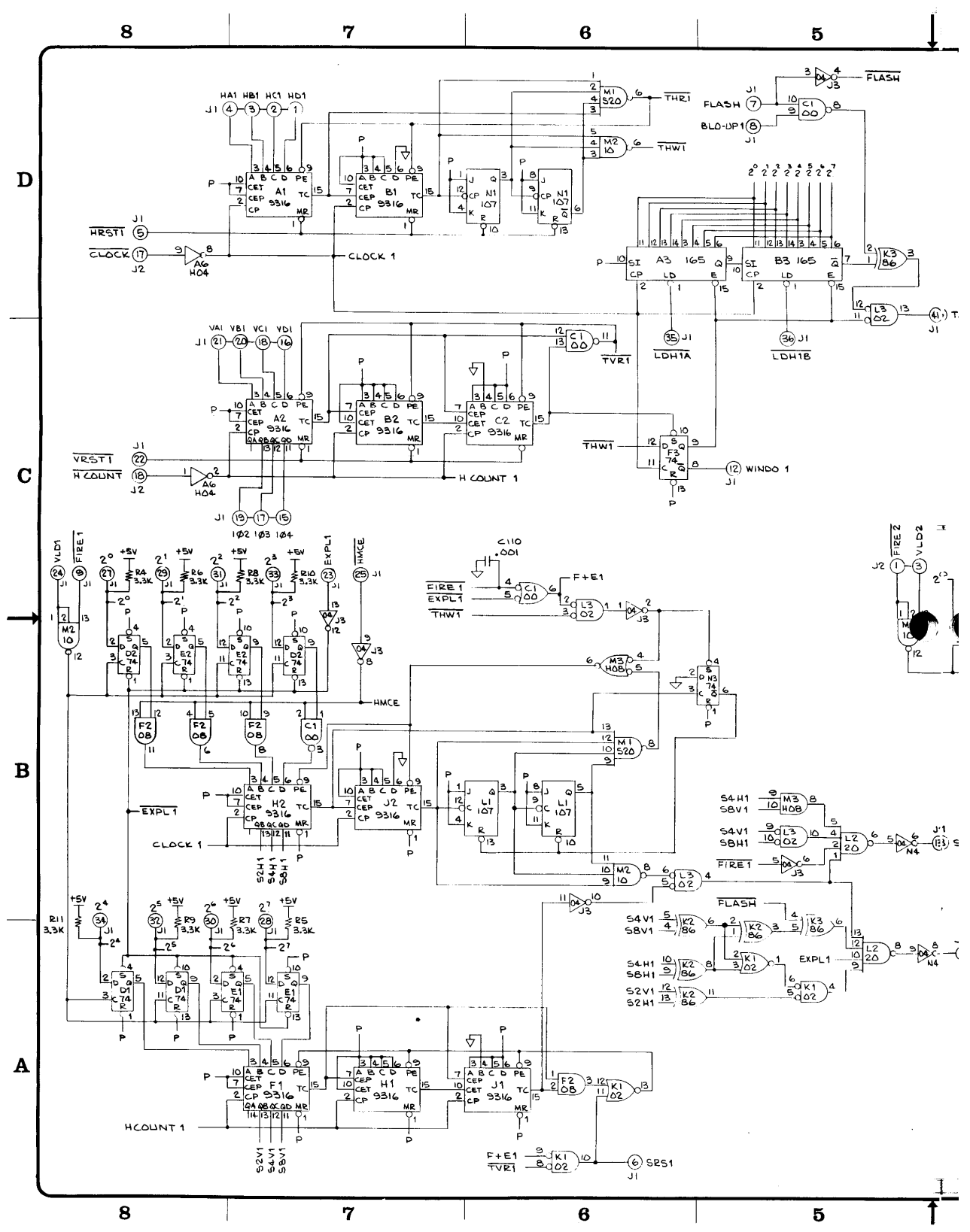
NOTICE TO ALL PERSONS RECEIVING THIS DRAWING
 CONFIDENTIAL. Reproduction Forbidden without the specific written permission of Atari Inc., Los Gatos, California. This drawing is only conditionally issued, and neither accepts nor promises correct details or transfers any right to, or license in use, the subject matter of the drawing or any design or technical information therein. Atari Inc. does not warrant the accuracy or completeness of the drawing, and will not be responsible for any errors or omissions. This drawing is issued as a guide only and is not to be used for manufacturing purposes without the specific written approval of Atari Inc. or its authorized agents.

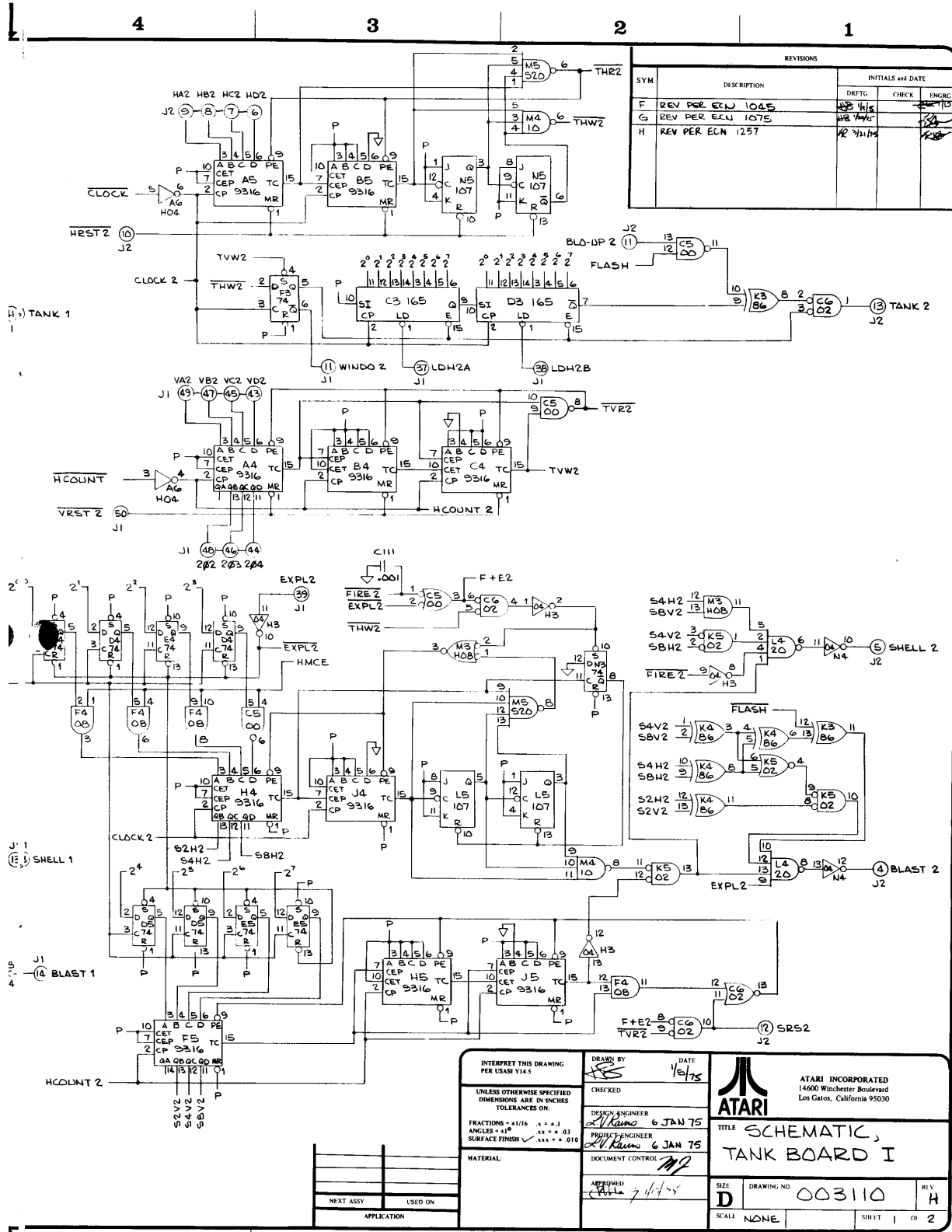
A003531	TANK II
NEXT ASST	USED ON
APPLICATION	

INTERPRET THIS DRAWING PER USAS 714.5	DRAWN BY AUSTIN	DATE AUG 20, 75	<p>ATARI INCORPORATED 14600 Winchester Boulevard Los Gatos, California 95030</p>
UNLESS OTHERWISE SPECIFIED DIMENSIONS ARE IN INCHES TOLERANCES ON:	CHECKED		
FRACTIONS = 41/16 x = +.1	DESIGN ENGINEER [Signature]	PROJECT ENGINEER	
ANGLES = 45°	PROJECT ENGINEER	PROJECT ENGINEER	
SURFACE FINISH ✓ .xxx = + .018	DOCUMENT CONTROL		TITLE ASSEMBLY, ELECTRONICS TRAY - TANK II
MATERIAL SEE P/L 003538	APPROVED [Signature]		SIZE D
			DRAWING NO. A003538
			REV B
			SCALE 1:2
			SHEET 1 OF 1

4 3 2 1

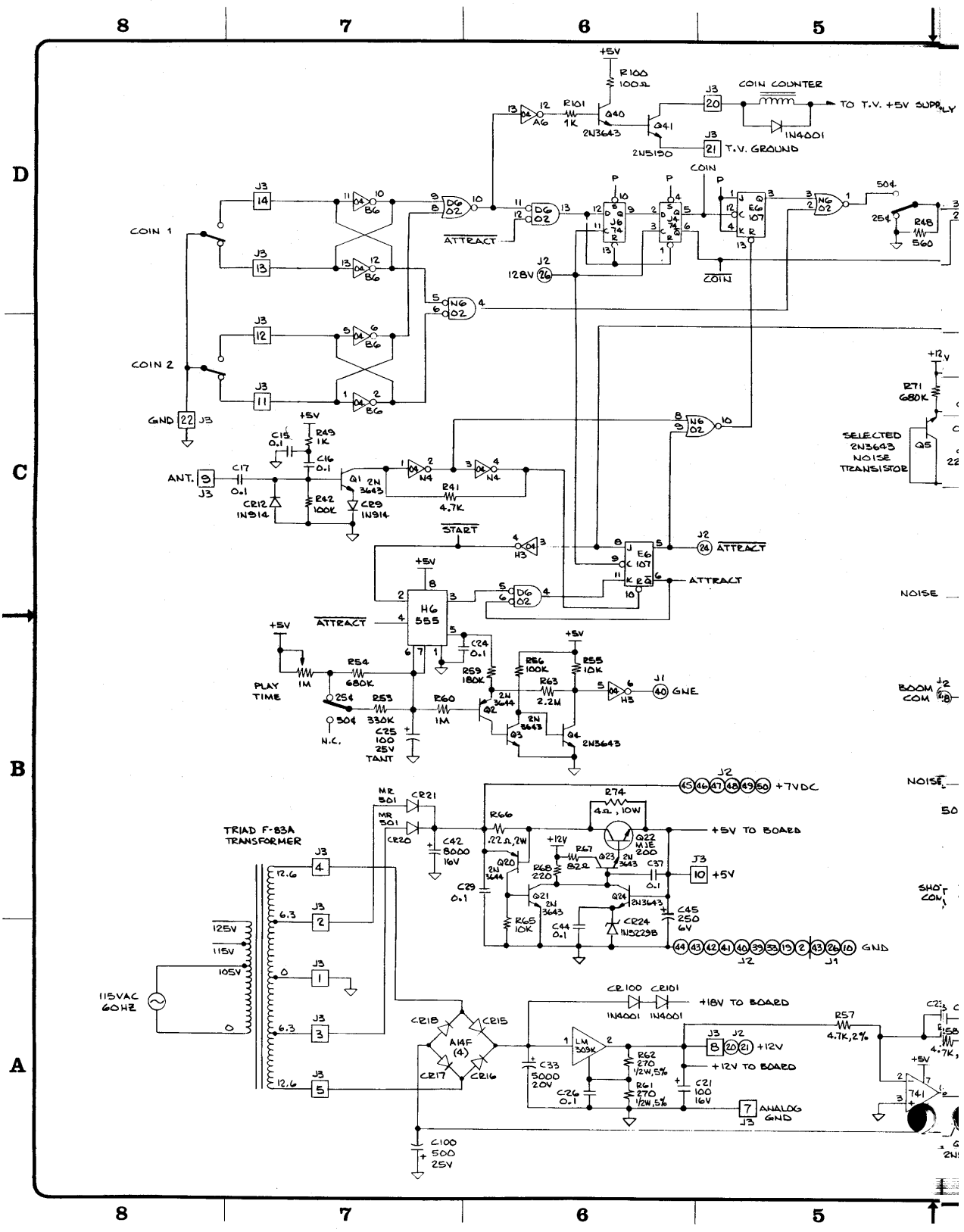
ON DRAWING
 LEGS
 ARE





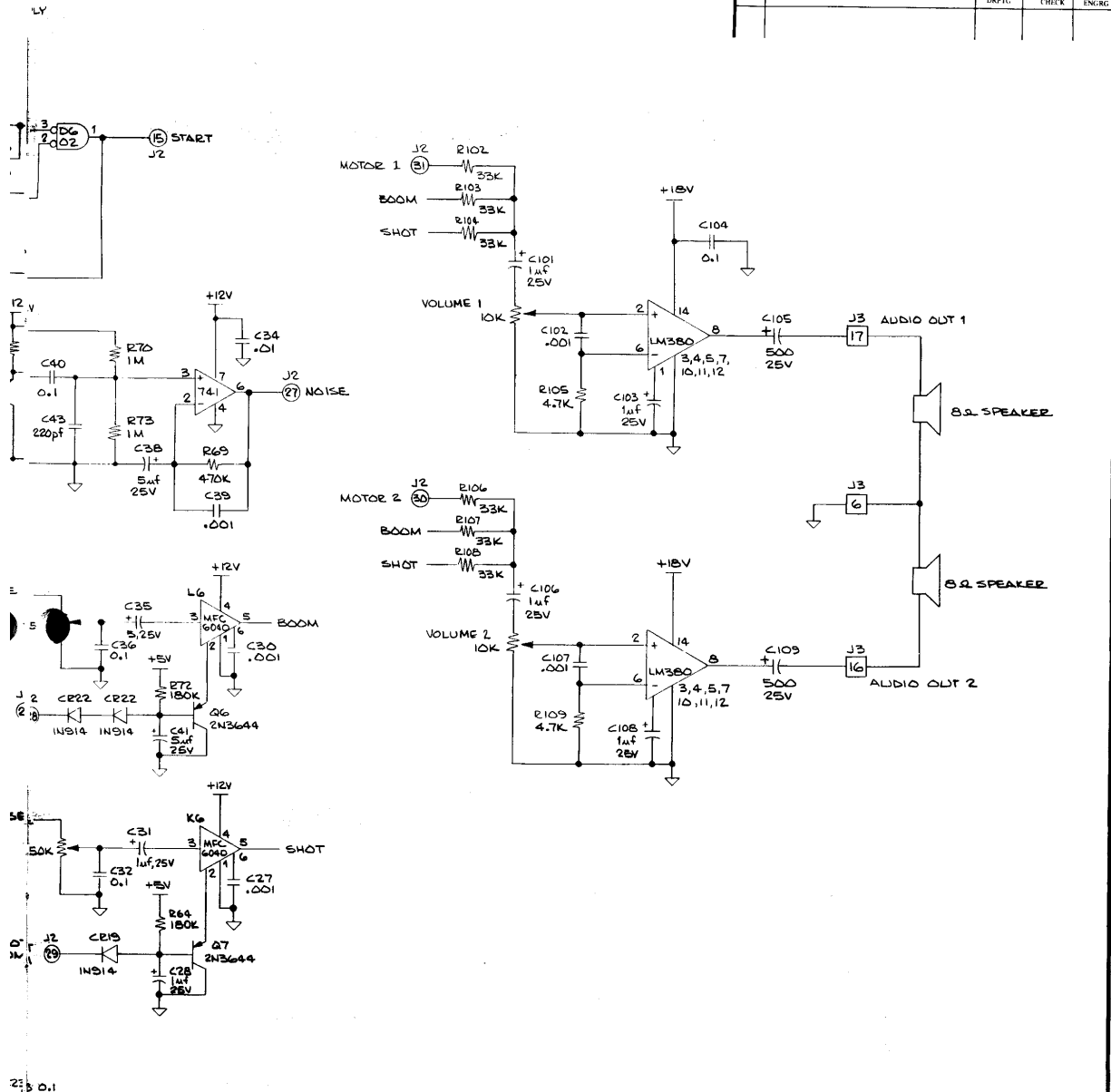
REVISIONS			
SYM	DESCRIPTION	INITIALS and DATE	
F	REV PER ECU 1045	WHS 1/5	CHK
G	REV PER ECU 1075	WHS 1/5	CHK
H	REV PER ECU 1257	WHS 1/5	CHK

INTERPRET THIS DRAWING PER USASI Y14.5 UNLESS OTHERWISE SPECIFIED DIMENSIONS ARE IN INCHES TOLERANCES ON: FRACTIONS - ±.116 ANGLES - ±1° SURFACE FINISH - xxx - .010 MATERIAL:	DRAWN BY: <i>WHS</i> DATE: 1/5/75 CHECKED:	ATARI INCORPORATED 14600 Winchester Boulevard Los Gatos, California 95030
	DESIGN ENGINEER: <i>W. Rouns</i> 6 JAN 75 PROJECT ENGINEER: <i>W. Rouns</i> 6 JAN 75 DOCUMENT CONTROL: <i>W. Rouns</i>	
NEXT ASSY: _____ USED ON: _____ APPLICATION: _____	APPROVED: <i>W. Rouns</i> 7/1/75	SIZE: D DRAWING NO: 003110 SCALE: NONE SHEET 1 OF 2



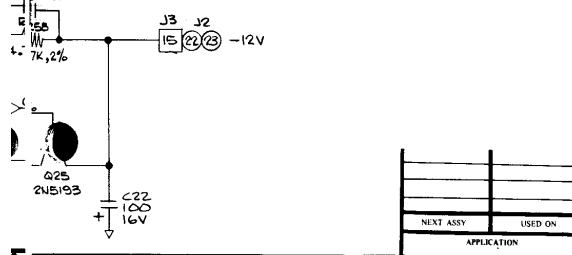
4 3 2 1

REVISIONS				
SYM	DESCRIPTION	INITIALS and DATE		
		DRFTG	CHECK	ENGRG



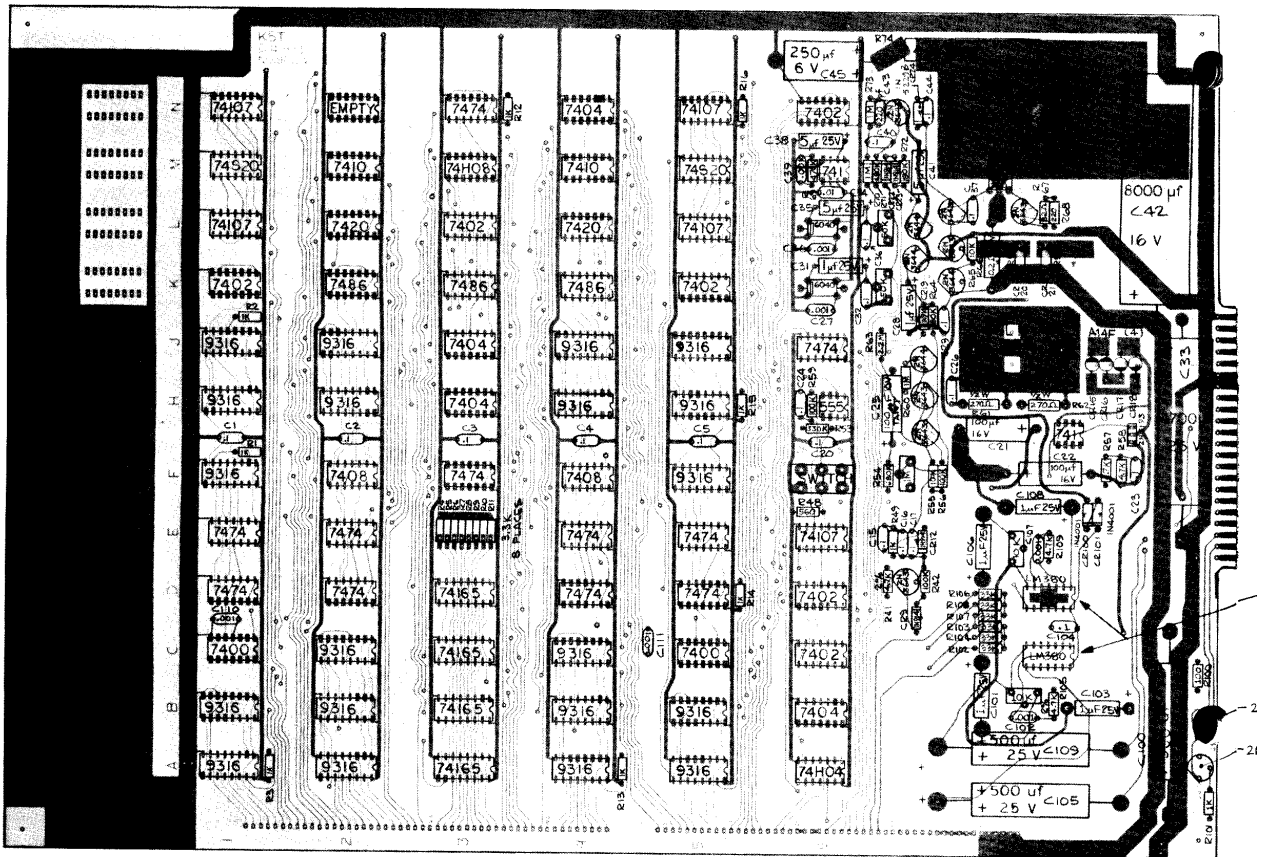
D
C
B
A

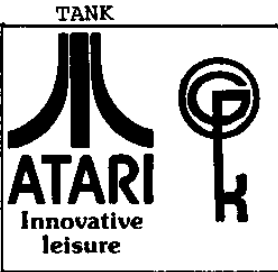
DRAWING NO.
SHEET
REV



INTERPRET THIS DRAWING PER USASI Y14.5 UNLESS OTHERWISE SPECIFIED DIMENSIONS ARE IN INCHES TOLERANCES ON: FRACTIONS ±.1/16 x ±.1 ANGLES ±1° x ±.03 SURFACE FINISH ✓ x ±.010	DRAWN BY 	DATE 1/9/75	ATARI INCORPORATED 14600 Winchester Boulevard Los Gatos, California 95030
	CHECKED DESIGN ENGINEER 10 JAN 75 PROJECT ENGINEER 10 JAN 75 DOCUMENT CONTROL 	TITLE SCHEMATIC, TANK BOARD I	
MATERIAL:	APPROVED 1/10/75	SIZE D	DRAWING NO. 003110
NEXT ASSY USED ON APPLICATION	SCALE	SHEET 2 OF 2	REV H

4 3 2 1





ASSEMBLY TITLE	TANK - BOARD 1	P/L003110
PARTS LIST SPECIFICATION		Page 1 of 2
Drawn		
Checked <i>MJ. A-15-75</i>	Mech. Eng.	
Proj. Eng. <i>L. Rains</i> 3 JAN 75	Elec. Eng. <i>L. Rains</i> 3 JAN 75	REV. H

Rev.	Description	Date	Apprv.	Rev.	Description	Date	Apprv.
D	PROD RE	11-22	<i>AK</i>				
D	Incorporates ECN 74-120	11-26	<i>AK</i>				
D	Incorporates ECN 74-124	12-14	<i>AK</i>				
F	REV PER ECN 1045	1/13/75	<i>AK</i>				
G	REV PER ECN 1075	1/20/75	<i>AK</i>				
H	Rev per ECN 1257	3/21/75	<i>AK</i>				

Item	Part Number	Qty.	DESCRIPTION
1	37-7400	2	Integrated Circuit, 7400
2	37-7402	6	" " 7402
3	37-7404	4	" " 7404
4	37-74H04	1	" " 74H04
5	37-7408	2	" " 7408
6	37-74H08	1	" " 74H08
7	37-7410	2	" " 7410
8	37-7420	2	" " 7420
9	37-74S20	2	" " 74S20
10	37-7474	11	" " 7474
11	37-7486	3	" " 7486
12	37-74107	5	" " 74107
13	37-74165	4	" " 74165
14	37-9316	20	" " 9316
15	37-555	1	" " 555
16	37-741	2	" " 741
17	37-LM380	2	" " LM380
18	37-MFC6040	2	" " MFC 6040
19	37-LM309	1	LM 309 K, Voltage Regulator
20	10-5101	1	Resistor, Carbon, 5%, 1/4 Watt, 100 ohm
21	10-5102	10	" " " " 1K ohm
22	10-5103	2	" " " " 10K ohm
23	10-5104	3	" " " " 100K ohm
24	10-5105	3	" " " " 1Meg ohm
25	10-5221	1	" " " " 220 ohm
26	10-5225	1	" " " " 2.2M ohm
27	10-5333	6	" " " " 33K ohm
28	10-5472	3	" " " " 4.7K ohm
29			
30	10-5474	1	" " " " 470K ohm
31	10-5561	1	" " " " 560 ohm
32			
33			
34	10-5684	2	" " " " 680K ohm
35	10-5820	1	" " " " 82 ohm
36			
37	10-5334	1	" " " " 330K ohm
38	14-2472	2	" " 2% " 4.7K ohm
39	11-5271	2	Resistor, Carbon, 5%, 1/2 Watt, 270 ohm

ASSEMBLY TITLE TANK - BOARD 1

P/L 003110

PARTS LIST SPECIFICATION

Page 2 of 2

Item	Part Number	Qty.	DESCRIPTION	Rev	H
40					
41	13-5P22	1	Resistor, Carbon, 5%, ½ Watt, .22 ohm		
42	19-808W4PO	1	Resistor, Wirewound, 20%, 10 Watt, 4 ohm		
43	31-1N914	5	Diodes, 1N 914		
44	31-1N4001	2	Diodes, 1N 4001		
45	32-1N5229	1	Diodes, Zener, 1N 5229B, 4.3V, 5%, Motorola		
46	31-MR501	2	Diodes, MR 501		
47	34-2N3643	8	Transistor, 2N 3643		
48	33-2N3644	4	Transistor, 2N 3644		
49	34-2N5190	1	Transistor, 2N 5190		
50	34-2N5193	1	Transistor, 2N 5193		
51	34-MJE200	1	Transistor, MJE 200		
52	19-311503	2	Trimpot, 50K		
53	19-311103	2	Trimpot, 10K		
54	19-311105	1	Trimpot, 1 Meg		
55	27-120104	19	Capacitor, Ceramic Disc Bypass, .1 uf		
56	27-101102	7	" " " .001 uf		
57	24-250105	6	" Electrolytic, 1 uf, 25V		
58	24-250505	3	" " 5 uf, 25V		
59	24-160107	2	" " 100 uf, 16V		
60	24-060257	1	" " 250 uf, 6V		
61	24-250478	1	" " 4700 uf, 25V		
62	24-200808	1	" " 8000 uf, 16V		
63	28-101221	1	" Dipped Mica, 220 pf		
64	29-001	1	" Tantalum, 100 uf, 10V		
65	69-001	1	Switch, DPDT		
66	78-06002	1	Heatsink, Thermalloy #6111B-66		
67	78-06003	2	HEATSINK, THERMALLOY #6011B		
68	72-1610S	2	Screw, Machine, , Pan Hd., Phil., 6-32 x 5/8"		
69	75-056	2	Washer, Lock, Internal Star, #6		
70	75-916S	2	Nut, Machine, Hex, 6-32		
71	72-1412S	2	Screw, Machine, , Pan Hd., Phil., 4-40 x 3/4"		
72	75-044	2	Washer, Split Lock, #4		
73	75-914S	2	Nut, Hex, 4-40		
74	003111	1	Printed Circuit Board, #90124		
75	10-5184	2	Resistor, Carbon, 5%, ¼W, 180K ohm		
76	27-101103	1	Capacitor, Ceramic Disc, .01 uf		
77	24-250507	3	Capacitor, Electrolytic, 500uf, 25V		
78	10-5332	8	RESISTOR CARBON, 5%, ¼W, 3.3K OHM		
79	31-A14F	4	Diode, G.E. Type A14F		

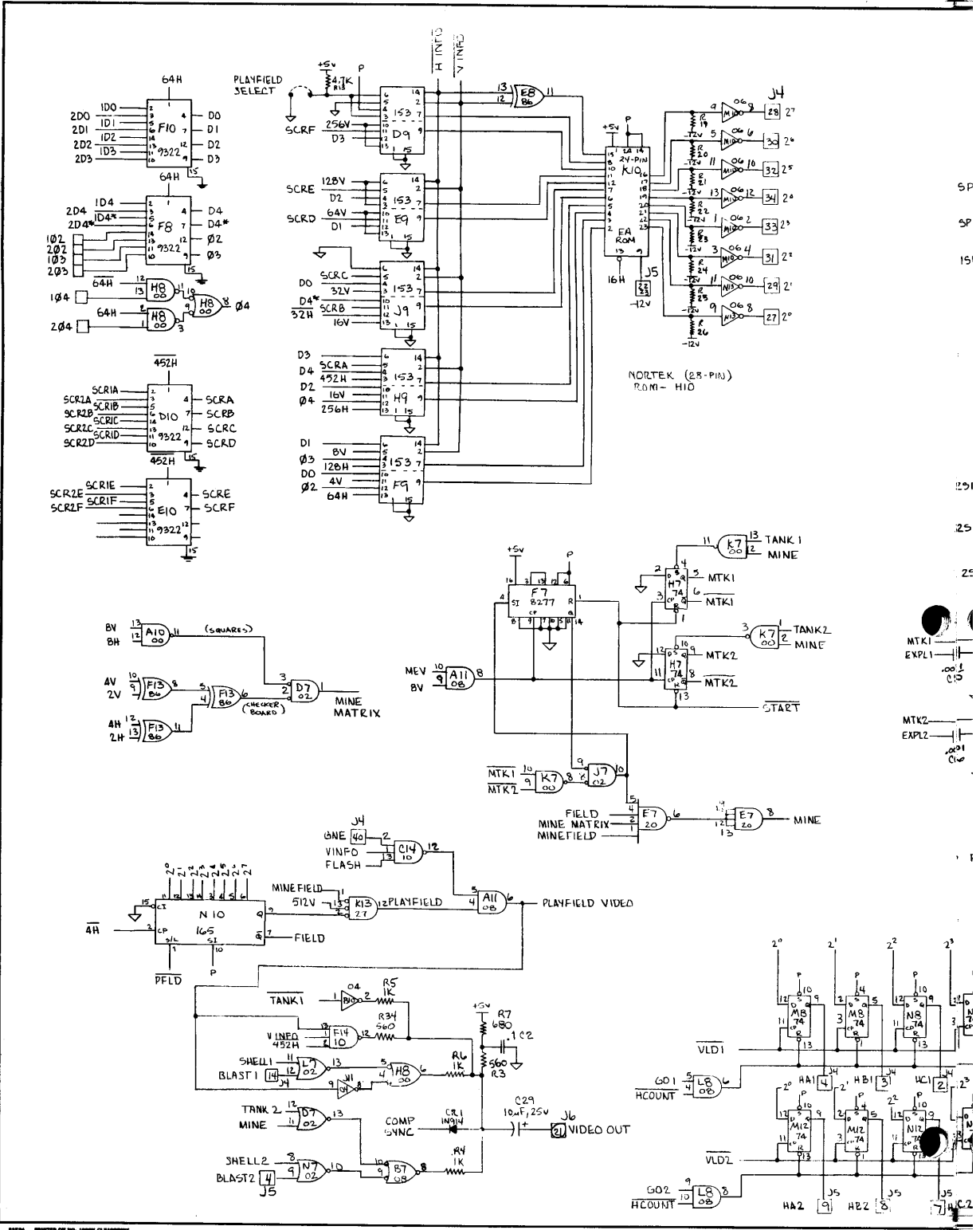
TANK



ASSEMBLY TITLE	TANK - BOARD 2	P/L 003112
PARTS LIST SPECIFICATION		Page 1 of 2
Drawn		
Checked	M.J. 8/25/75	Mech. Eng.
Proj. Eng.	A. Rain 3 JAN 75	Elec. Eng. A. Rain 3 JAN 75
		REV. G

Rev.	Description	Date	Apprv.	Rev.	Description	Date	Apprv.
D	PROD REF	11-22	AK				
D	Incorporates ECN 74-120	11-26	AK				
D	Incorporates ECN 74-122	12-11	AK				
F	PER ECN 1047	7/3/75	AK				
G	PER ECN 1482	6/11/75	AK				

Item	Part Number	Qty.	DESCRIPTION
1	37-7400	12	Integrated Circuit, 7400
2	37-7402	11	" " 7402
3	37-7404	4	" " 7404
4	37-74H04	1	" " 74H04
5	37-7406	3	" " 7406
6	37-7408	4	" " 7408
7	37-7410	6	" " 7410
8	37-7420	2	" " 7420
9	37-7427	1	" " 7427
10	37-7474	16	" " 7474
11	37-7486	2	" " 7486
12	37-7492	1	" " 7492
13	37-7493	7	" " 7493
14	37-74107	3	" " 74107
15	37-74153	5	" " 74153
16	37-74165	1	" " 74165
17	90-2006	1	16K Tank Rom E.A. #4800SD
18	37-74193	2	Integrated Circuit, 74193
19	37-8277	1	" " 8277
20	37-9316	4	" " 9316
21	37-9321	1	" " 9321
22	37-9322	4	" " 9322
23	37-9602	3	" " 9602
24	37-555	2	" " 555
25	37-556	1	" " 556
26	37-566	2	" " 566
27	37-MFC6040	2	" " MFC 6040
28	10-5101	10	Resistor, Carbon, 5%, 1/4 Watt, 100 ohm
29	10-5102	12	" " " " 1K ohm
30	10-5103	3	" " " " 10K ohm
31	10-5104	4	" " " " 100K ohm
32	10-5221	1	" " " " 220 ohm
33	10-5223	2	" " " " 22K ohm
34	10-5331	2	" " " " 330 ohm
35	10-5333	3	" " " " 33K ohm
36	10-5334	2	" " " " 330K ohm
37	10-5392	2	" " " " 3.9K ohm
38	10-5471	6	" " " " 470 ohm



5P

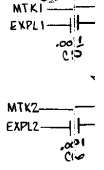
5P

15'

1201

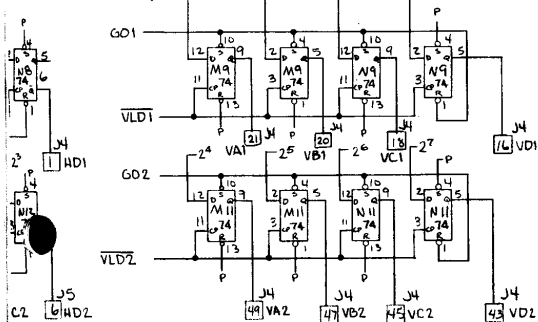
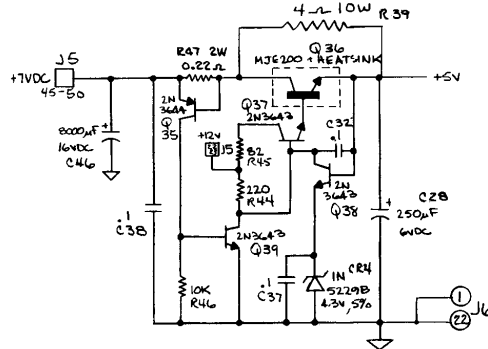
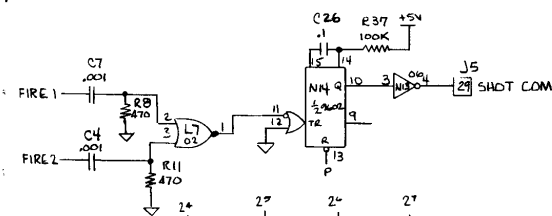
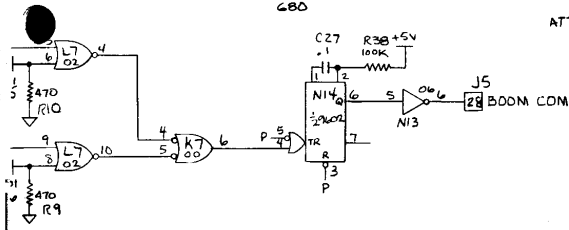
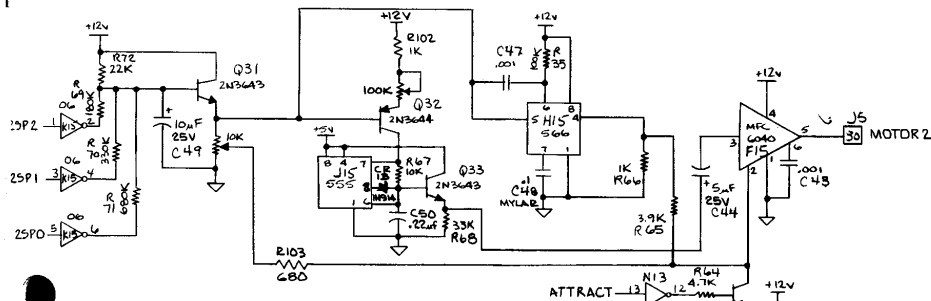
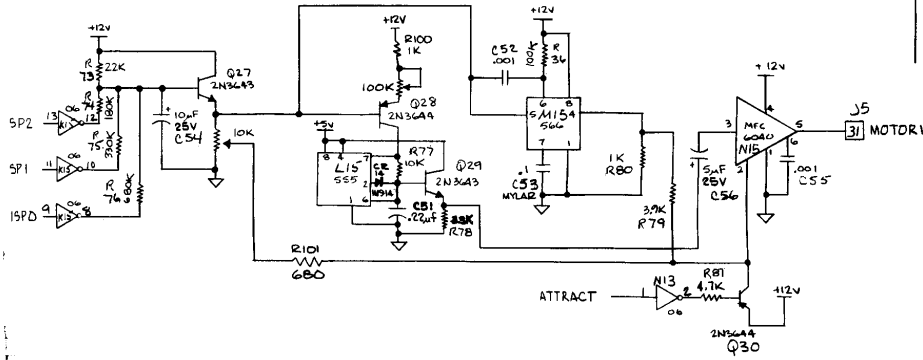
25

25



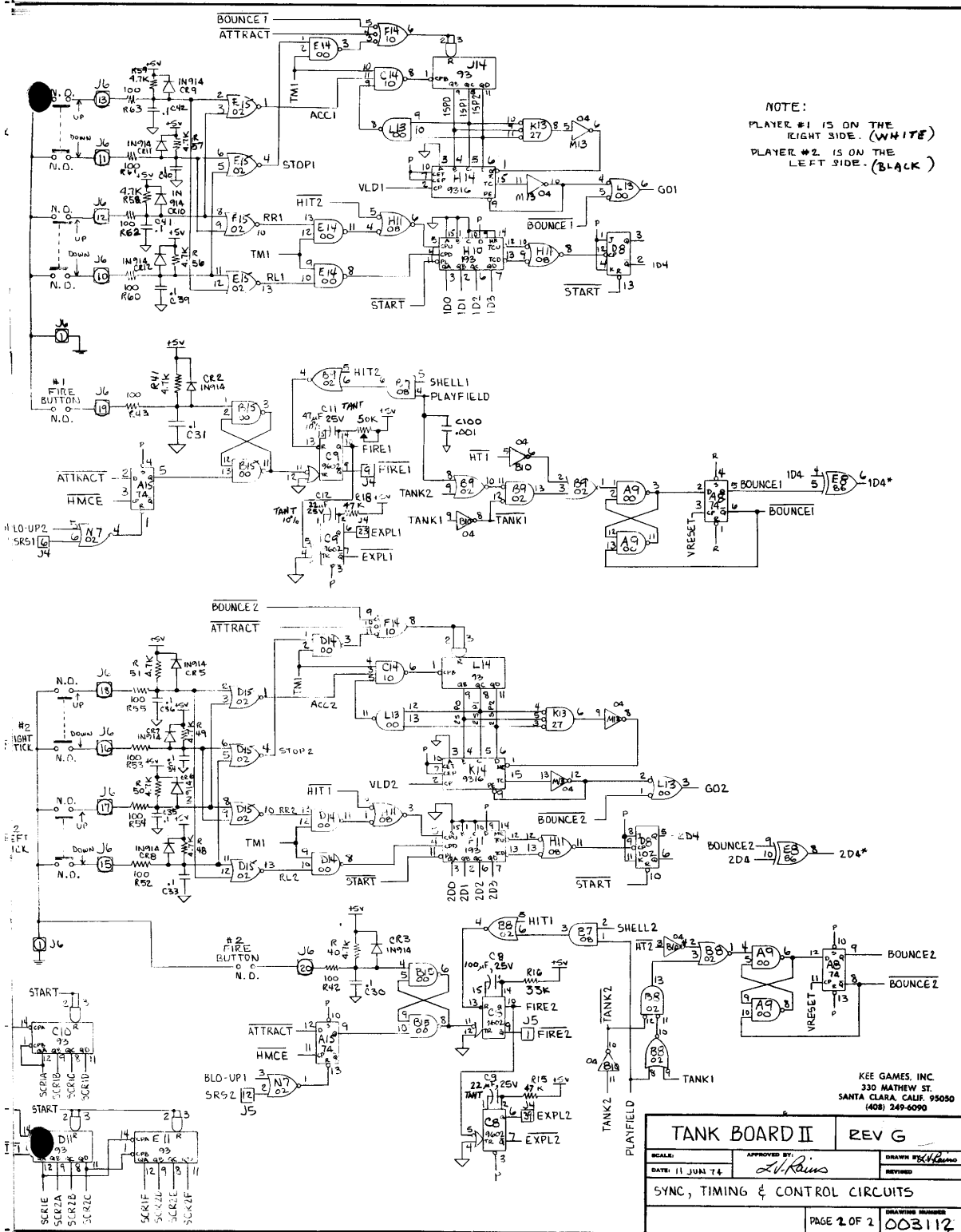
1

SYN	DESCRIPTION	DATE	APP
F	REV PER ECN 10A-7	10/7	
G	REV PER ECN 14-B2	10/7	



KEE GAMES, INC.
330 MATHEW ST.
SANTA CLARA, CALIF. 95050
(408) 249-6090

TANK BOARD II		REV G
SCALE:	APPROVED BY:	DRAWN BY: <i>[Signature]</i>
DATE: 10 JUNE 74		REVISED:
ROM MUXING, PLAYFIELD, MINEFIELD, SOUND		
PAGE 8 OF 2	DRAWING NUMBER: 003112	




NOTE:
 PLAYER #1 IS ON THE
 RIGHT SIDE. (WHITE)
 PLAYER #2 IS ON THE
 LEFT SIDE. (BLACK)

KEE GAMES, INC.
 330 MATHEW ST.
 SANTA CLARA, CALIF. 95050
 (408) 249-6090

TANK BOARD II		REV G
SCALE:	APPROVED BY: <i>W. Rains</i>	DRAWN BY: <i>W. Rains</i>
DATE: 11 JUN 74		REVISION:
SYNC, TIMING & CONTROL CIRCUITS		
DRAWING NUMBER		003112
PAGE 2 OF 2		

SYM	DESCRIPTION	DATE	APPV
F	REV PER ECW 1047	8/19/74	ECW
G	REV PER ECW 1482	8/19/74	ECW

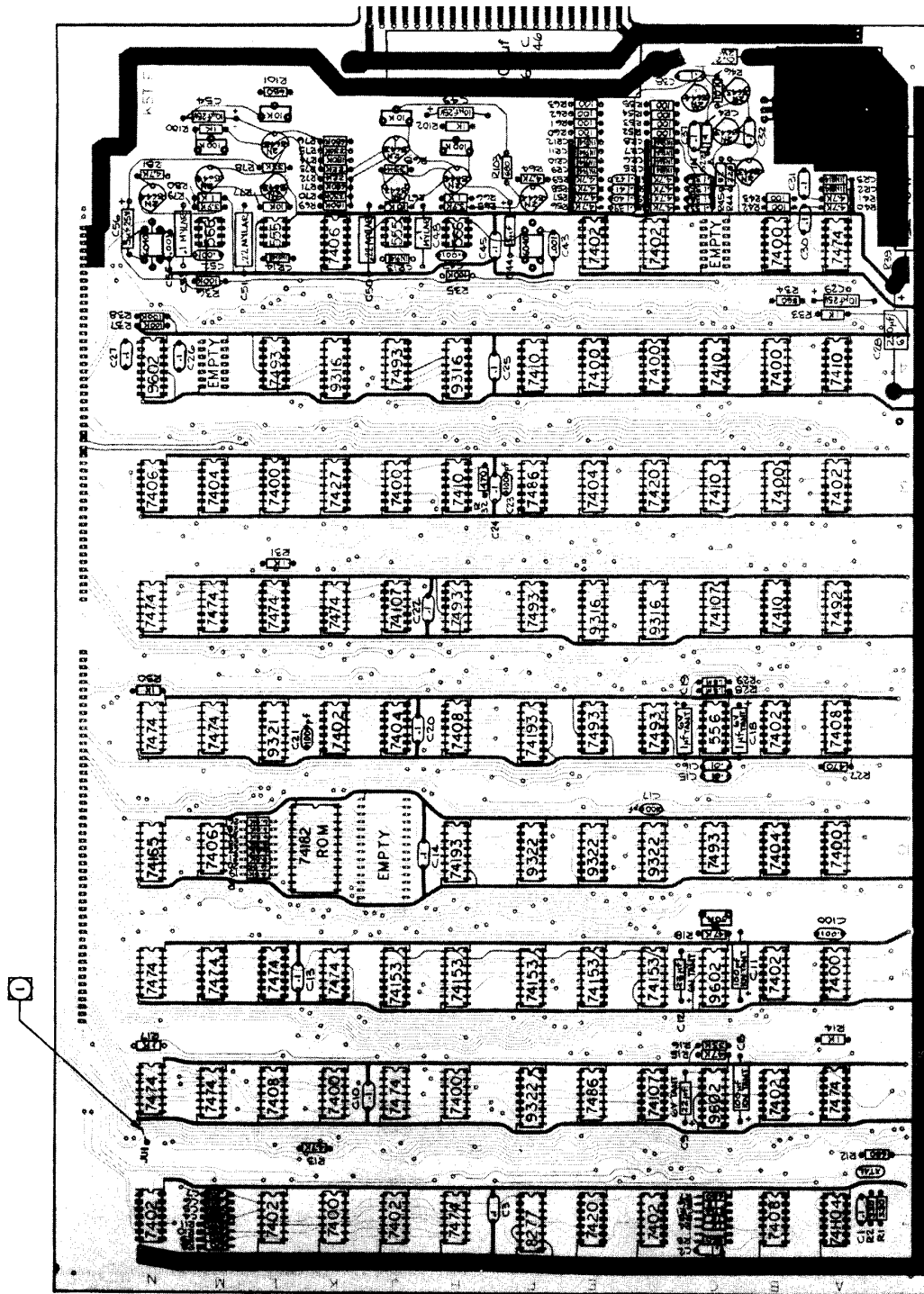
INTERPRET THIS DRAWING PER USAS 114.5 UNLESS OTHERWISE SPECIFIED DIMENSIONS ARE IN INCHES TOLERANCES ON:		DRAWN BY P.C.S.	DATE 12/74	 ATARI INCORPORATED 14600 Winchester Boulevard Los Gatos, California 95030
FRACTIONS = 1/16 0.0625 ANGLES = 1/2° 0.0044 SURFACE FINISH 32		DESIGN ENGINEER <i>[Signature]</i> 10 JAN 75	CHECKED <i>[Signature]</i> 10 JAN 75	
MATERIAL		DOCUMENT CONTROL <i>[Signature]</i>	DATE 7/11/75	ATARI
NEXT ASSY USED ON APPLICATION		SCALE D		DRAWING NO. A003112
				REV G

3
↑
2
1

PARTS LIST SPECIFICATION

Page 2 of 2

Item	Part Number	Qty.	DESCRIPTION	Rev	G
39	10-5472	14	Resistor, Carbon, 5%, 1/4 Watt, 4.7K ohm		
40	10-5473	1	" " " " 47K ohm		
41	10-5561	2	" " " " 560 ohm		
42	10-5681	4	" " " " 680 ohm		
43	10-5682	8	" " " " 6.8K ohm		
44	10-5820	1	" " " " 82 ohm		
45	10-5184	2	" " " " 180K ohm		
46	10-5185	2	" " " " 1.8M ohm		
47	13-5P22	1	" " " 2 Watt, .22 ohm		
48	19-808W4PO	1	" Wirewound, 20%, 10W, 4 ohm		
49	31-1N914	13	Diode, 1N 914		
50	32-1N5229	1	Diode, Zener, 1N 5229B, 4.3V, 5%, Motorola		
51	34-2N3643	7	Transistor, 2N 3643		
52	33-2N3644	5	Transistor, 2N 3644		
53	34-MJE200	1	Transistor, MJE 200		
54	19-311103	2	Trimpot, 10K		
55	19-311503	1	Trimpot, 50K		
56	90-101	1	Crystal, 14.31818 mhz		
57	27-120104	26	Capacitor, Ceramic Disc Bypass, .1 uf		
58	27-101103	2	" " " .01 uf		
59	27-250105	9	" " " .001 uf		
60	28-101101	3	" Dipped Mica, 100 pf		
61	29-004	2	" Tantalum, 1 uf, 6V		
62	29-003	2	" " 22 uf, 6V		
63	29-001	2	" " 100 uf, 10V		
64	21-101224	2	" Mylar, .22 uf		
65	24-250505	2	" Electrolytic, 5 uf, 25V		
66	24-250106	3	" " 10 uf, 25V		
67	24-060257	1	" " 250 uf, 6V		
68	24-200808	1	" " 8000 uf, 16V		
69	79-42424	1	Socket, 24 pin		
70	78-06002	1	Heatsink, Thermalloy #6111B-66		
71	55-6125	4	Flex Strip Jumper, 25 Conductor, Ansley #FSN-23A		
72	72-1412S	2	Screw, Machine, , Pan Hd., Phil., 4-40 x 3/4"		
73	75-044	2	Washer, Split Lock, #4		
74	75-914S	2	Nut, Hex 4-40		
75	003113	1	Printed Circuit Board, #90125		
76	10-5684	2	Resistor, Carbon, 5%, 1/4W, 680K ohm		
77	19311104	2	Trimpot, 100K ohm		
78	21-101104	2	Capacitor, Mylar .1 uf		
79	_____	1	Jumper, (30 AWG, Insulated)		



NOTES:
 1 J1 IS AN OPTIONAL JUMPER FOR ALTERNATE PLAYFIELD (± 30 AWG, INSULATED)

