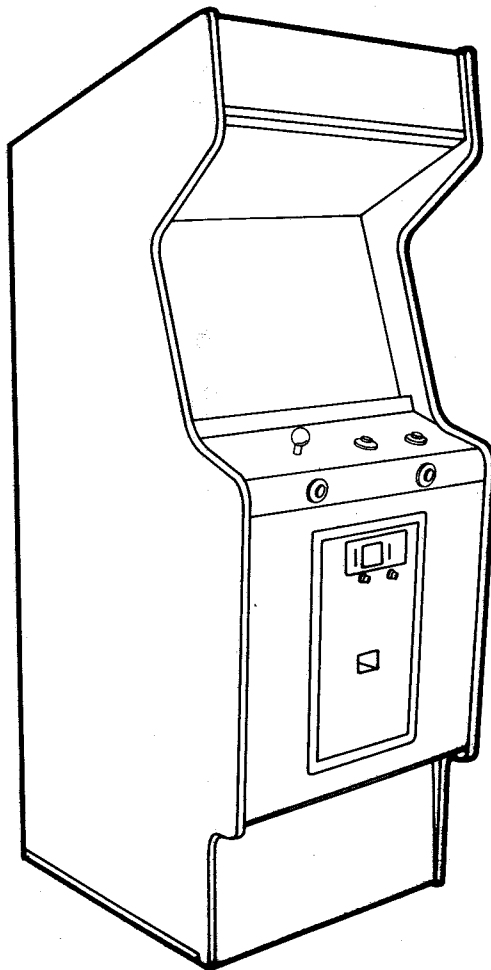


SEGA

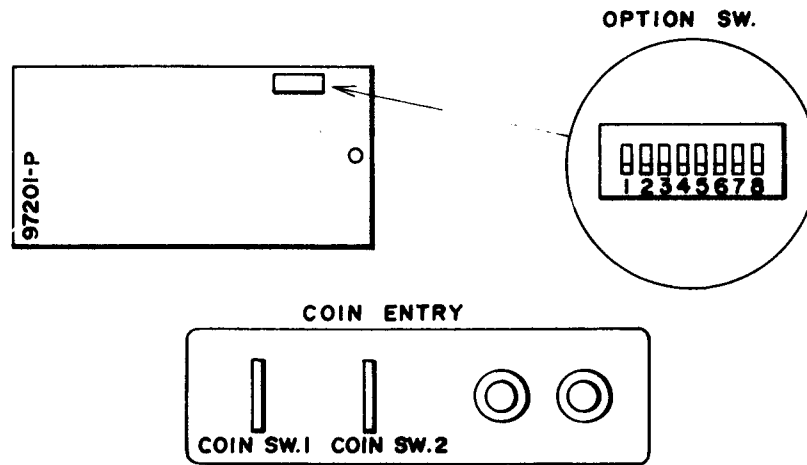
n - SUB

Service Manual & Parts Catalog



SEGA ENTERPRISES LTD.

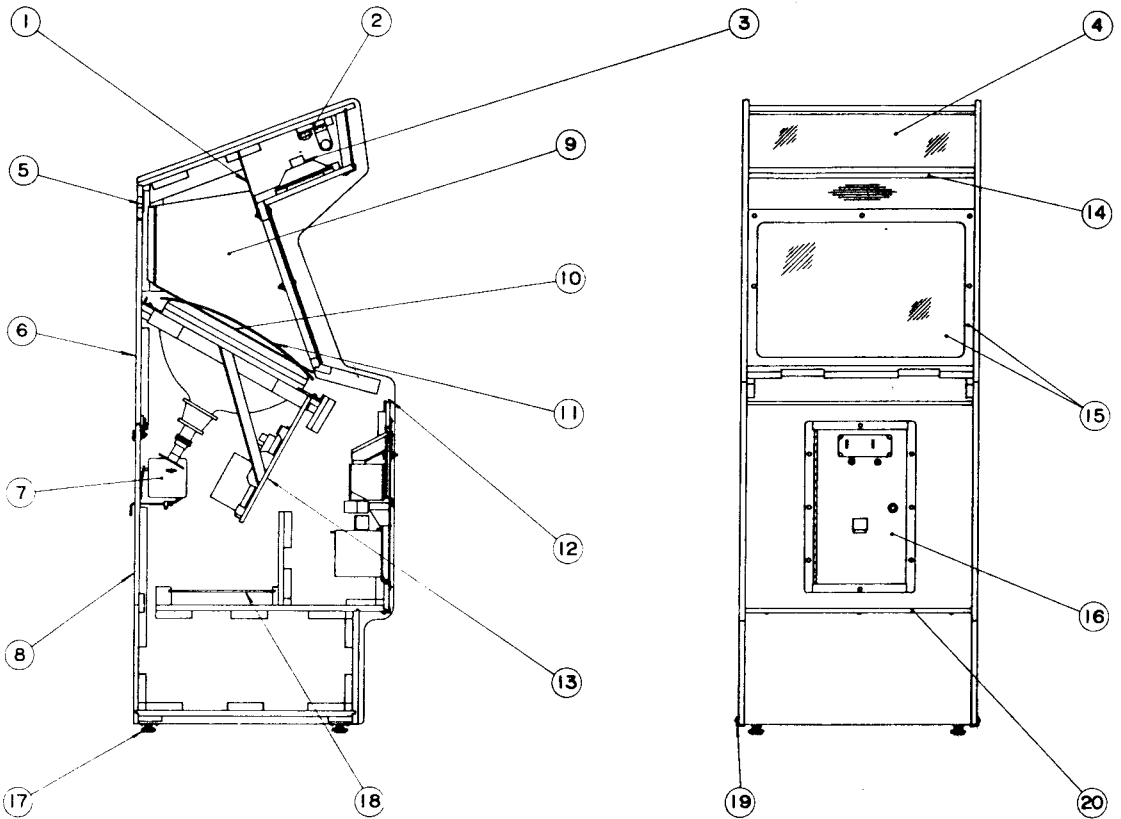
3. IC Board (97201-P) Adjustments Coin Calculator



		ON: 0 OFF: X							
		OPTION							
		1	2	3	4	5	6	7	8
COIN SW. 1	1 Coin 1 Play	0	X	X					
	2 Coins 1 Play	X	0	X					
	3 Coins 1 Play	0	0	X					
	4 Coins 1 Play	X	X	0					
	5 Coins 1 Play	0	X	0					
	6 Coins 1 Play	X	0	0					
	7 Coins 1 Play	0	0	0					
COIN SW. 2	1 Coin 1 Play	0	X	X					0
	2 Coins 1 Play	X	0	X					0
	3 Coins 1 Play	0	0	X					0
	4 Coins 1 Play	X	X	0					0
	5 Coins 1 Play	0	X	0					0
	6 Coins 1 Play	X	0	0					0
	7 Coins 1 Play	0	0	0					0
COIN SW. 2	1 Coin 1 Play				0	X	X	X	
	1 Coin 2 Plays				X	0	X	X	
	1 Coin 3 Plays				0	0	X	X	
	1 Coin 4 Plays				X	X	0	X	
	1 Coin 5 Plays				0	X	0	X	
	1 Coin 6 Plays				X	0	0	X	
	1 Coin 7 Plays				0	0	0	X	

NOT USED

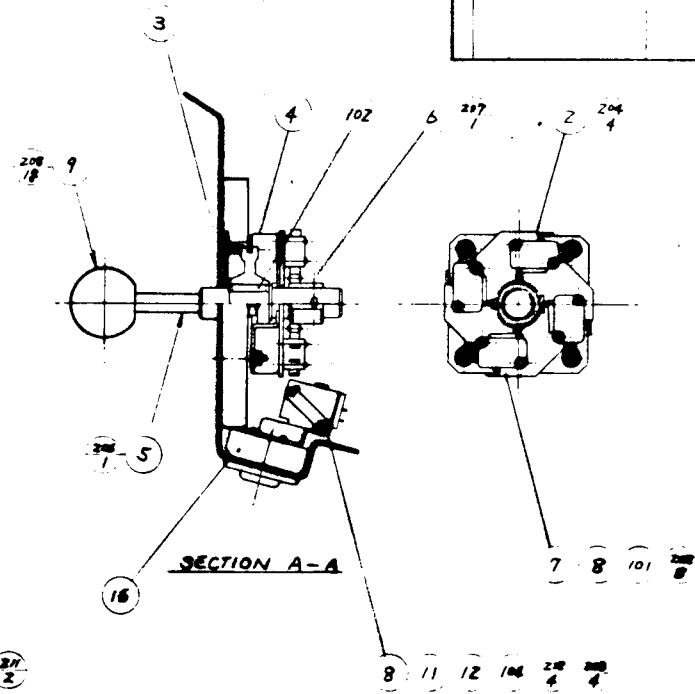
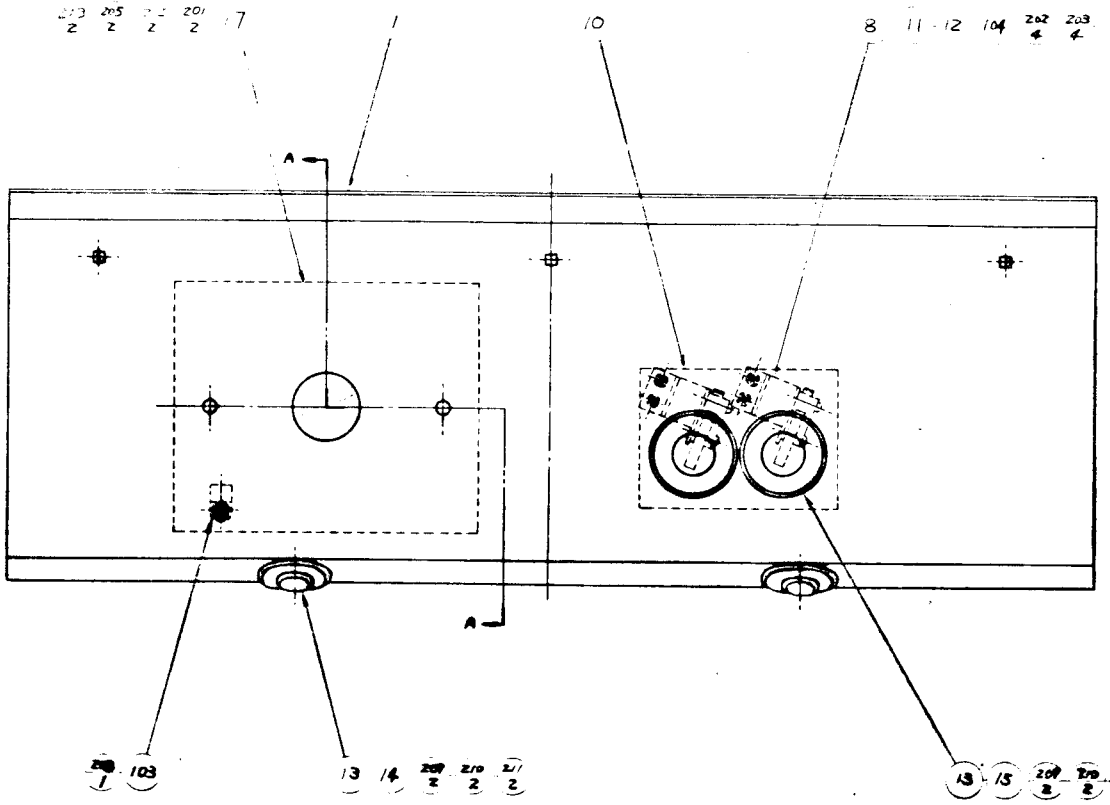
Cabinet Accessory Assy



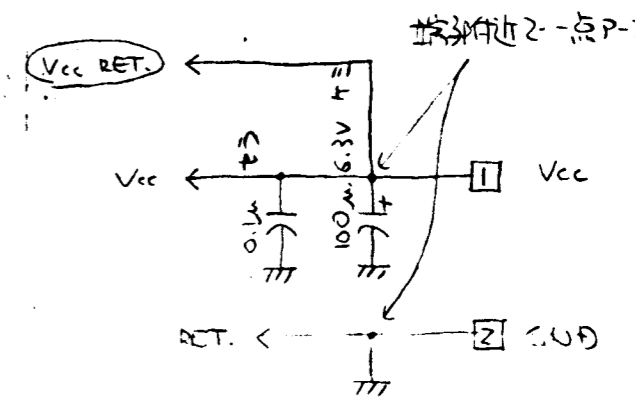
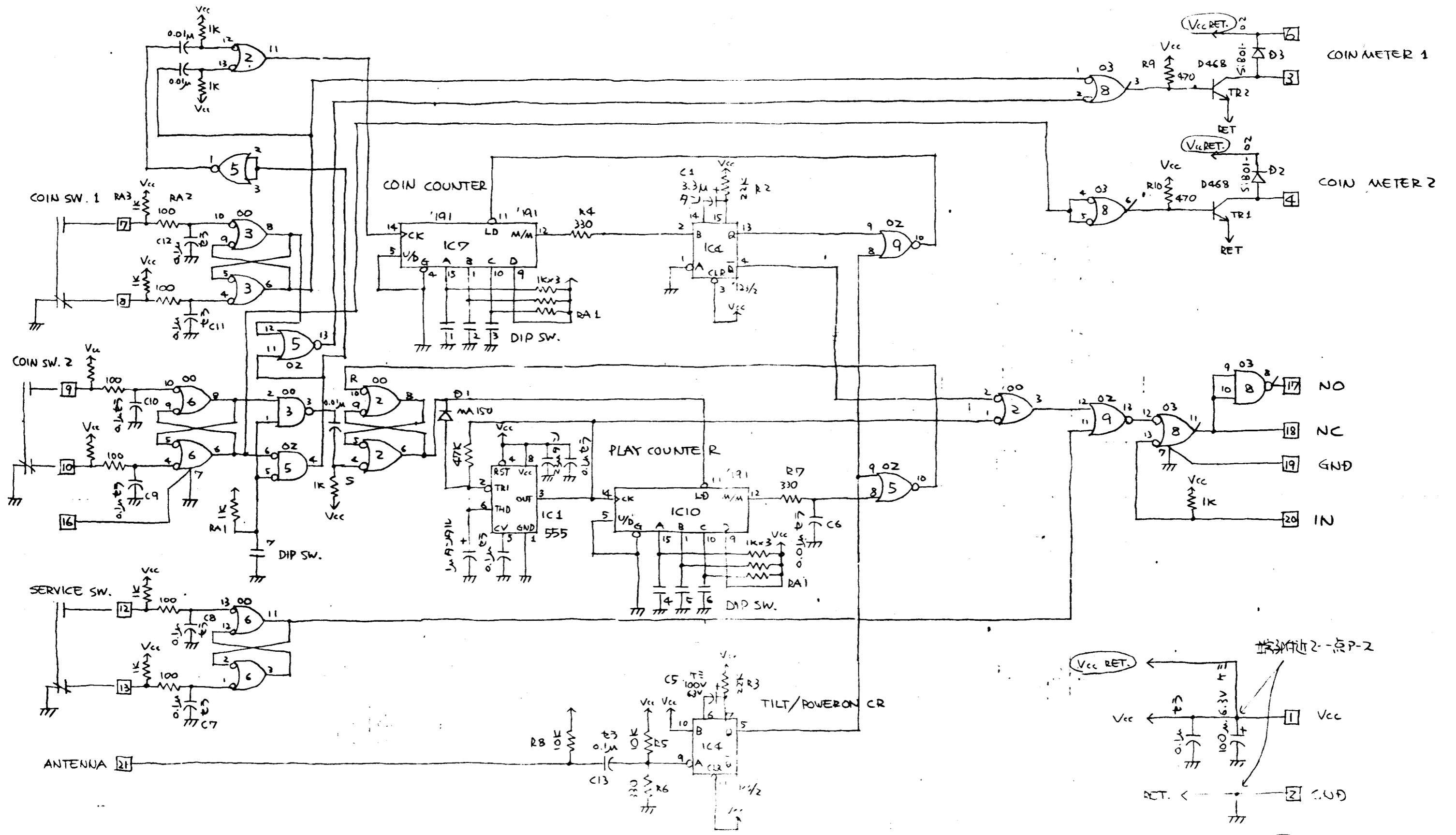
- 1 MR-1015 Light Baffle
- 2 NS-1039 FLUORESCENT LIGHT ASSY,15W
S-90201 Fluorescent Light,15W
- 3 MR-1009 Speaker Guard Plate
S-97336 Speaker,230 x 150mm,8Ω,6W
- 4 NS-1028 Top Panel
- 5 TA-1065X Nut Plate
PT-0015 Net
- 6 MR-1002 Back Door,Upper
- 7 MR-1019 JUNCTION BOX ASSY
NS-1037 JUNCTION BOX ASSY,200~240V
(See Page 14 for Detail)
- 8 NS-1038 Back Door,Lower
- 9 NS-1034 Scenery,Right
NS-1035 Scenery,Left
- 10 NS-1033 Scenery,Rear
- 11 MR-1024 TV Mask
- 12 MR-1005 Trim,Upper
- 13 97232-P CCLOR DISPLAY ASSY,20TYPE,120V
97397-P CCLOR DISPLAY ASSY,20TYPE,100V
- 14 MR-1007 Ornament Frame
- 15 MR-1013 Window Panel
- 16 MR-1014 Bezel Frame
MR-1200 COIN CHUTE DOOR & CASH BOX ASSY
(See Page 16 for Detail)
- 17 M-163-4(L) Leg Adjuster
Leg Adjuster Bracket
- 18 97399-P-16 IC BOARD ASSY, N-SUB
- 19 NS-1036 Corner Protector
- 20 MR-1006 Trim,Lower

A B C D E F G H I J K L

NO. 100	REV. 1
DATE	11-17-57
BY	W. J. W.
CHECKED	
APPROVED	



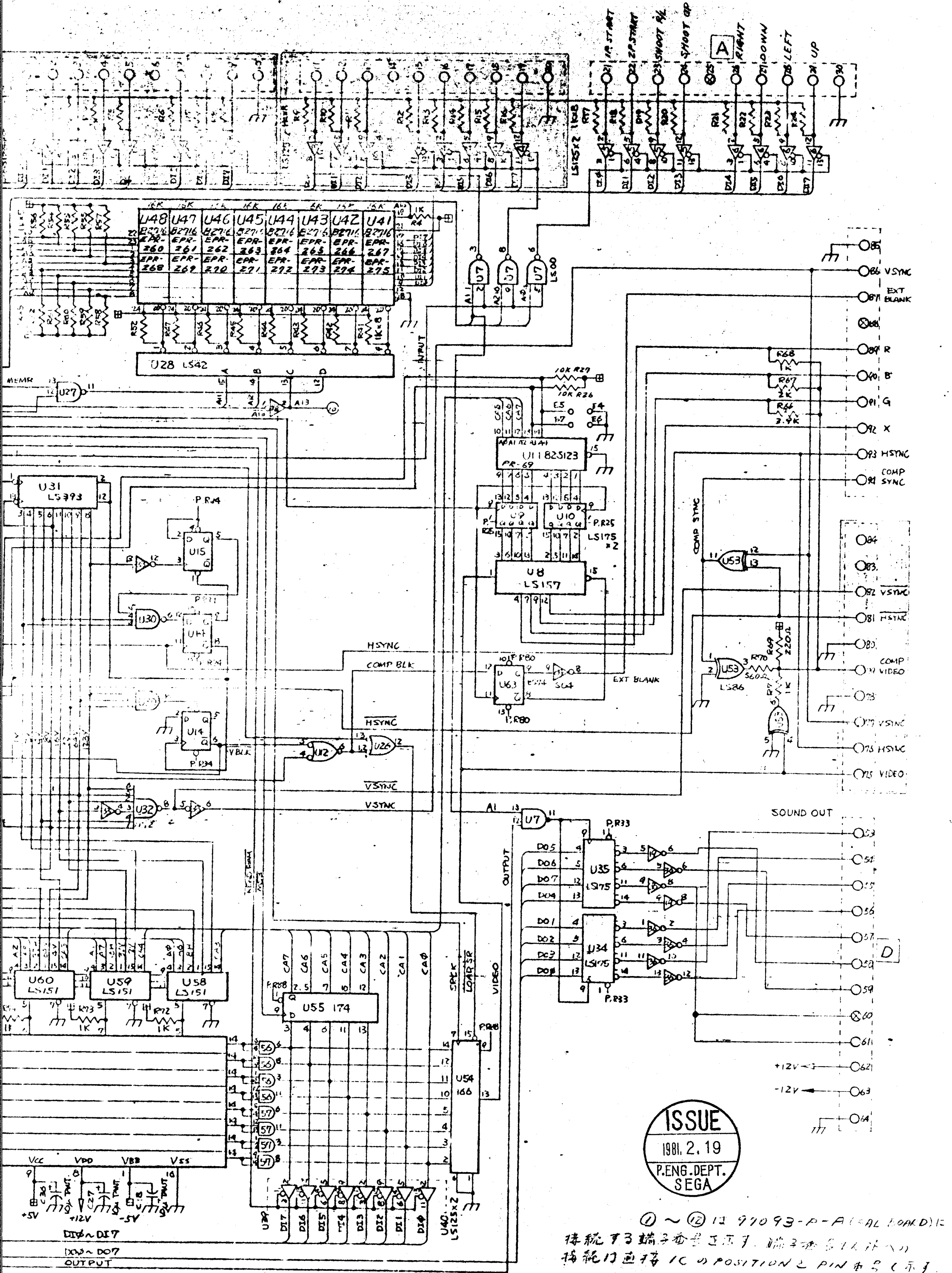
SECA ENTERPRISES LTD.		THIS DRAWING SHALL IN NO WAY BE COPIED OR REPRODUCED WITHOUT THE WRITTEN PERMISSION OF SECA ENTERPRISES LTD.	
LIMITS UNLESS OTHERWISE SPECIFIED		3RD A.T. DIM. DR. IN.	APP. ASS. V. CK. D. DR. W.
		SCALE 1/2	
		DWG. NO.	
INTERNAL	HEAT TREAT	FINISH	REMARK



ISSUE
1981. 2. 19
P.ENG. DEPT.
SEGA

△ C9 0.01VOID
△ 1/17-30
15/22-30
11/22-30

97201-P COIN CALCULATOR, LOGIC DIAGRAM



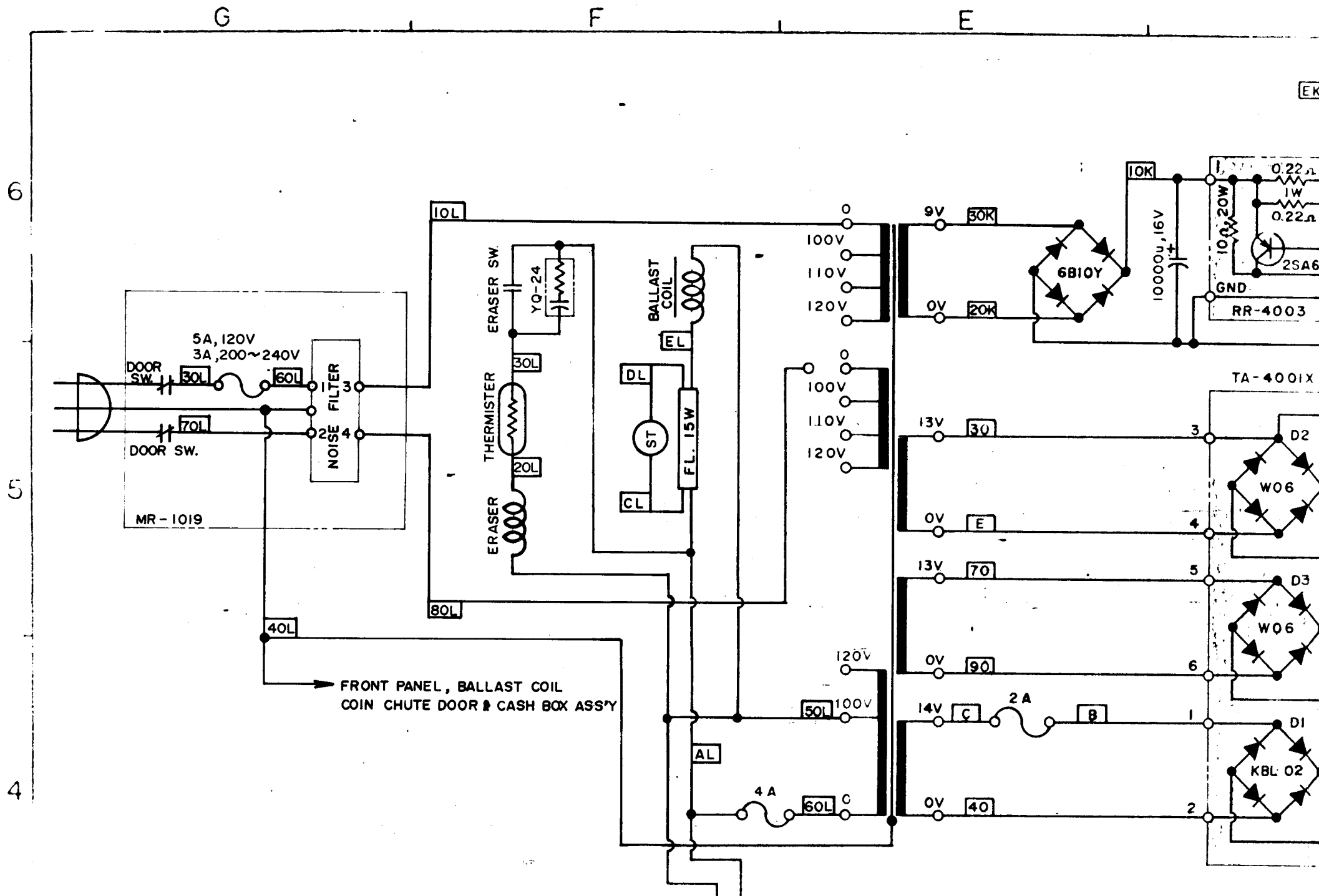
ISSUE
1981. 2. 19
P.ENG.DEPT.
SEGA

① ~ ⑫ は 97093-P-A (PAL BOARD) に
接続する端子番号を示す。端子番号は IC の
接続位置と IC の POSITION と PIN 番号 (示す)

97394-P-16 (W/PAL) (EPR-260~EPR-267)
97399-P-16 (W/O PAL) (EPR-268~EPR-275)

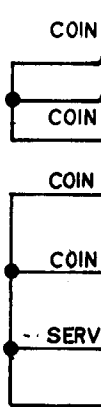
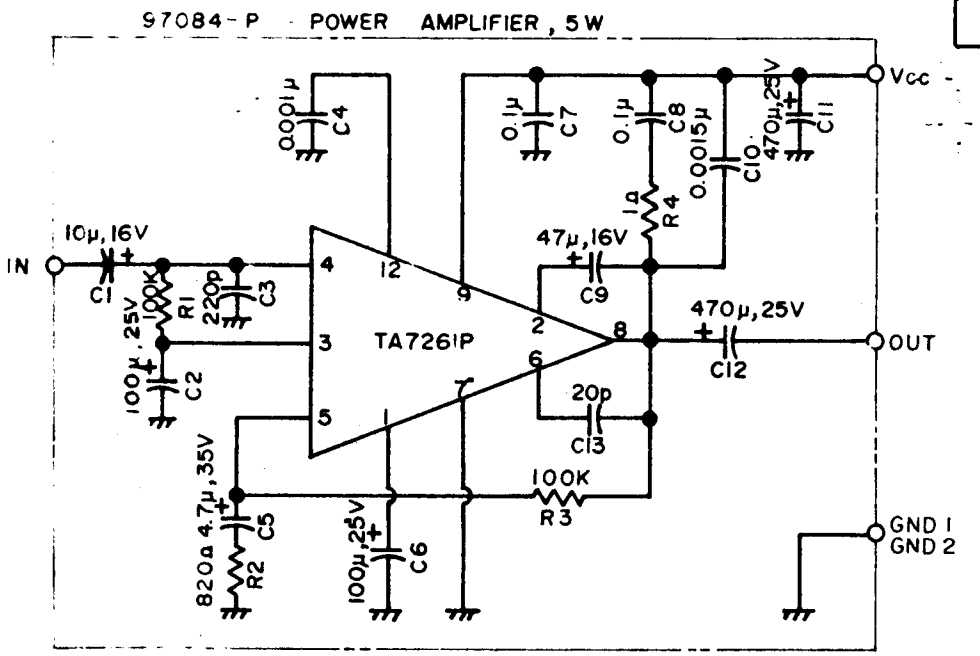
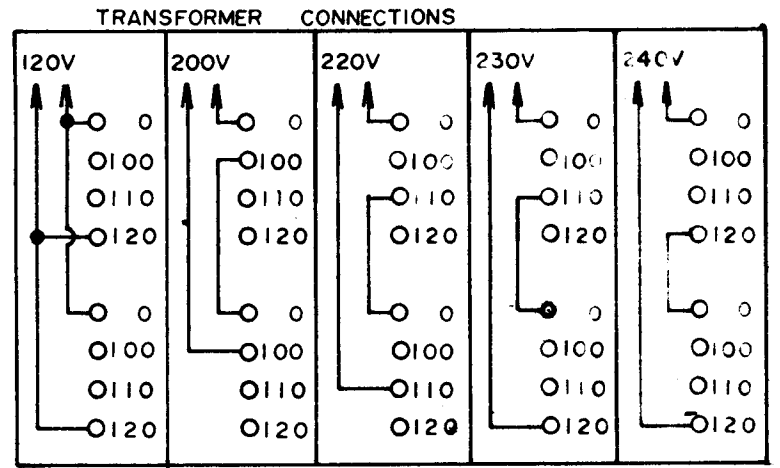
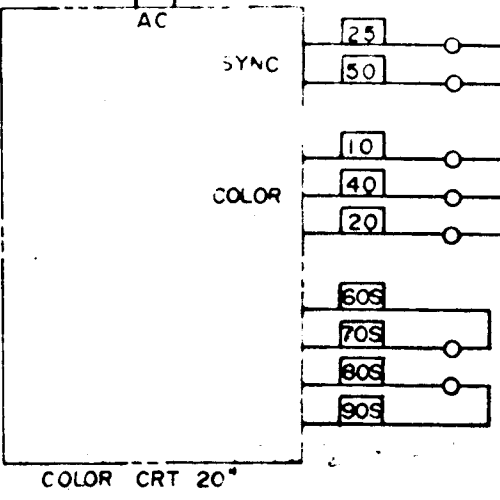
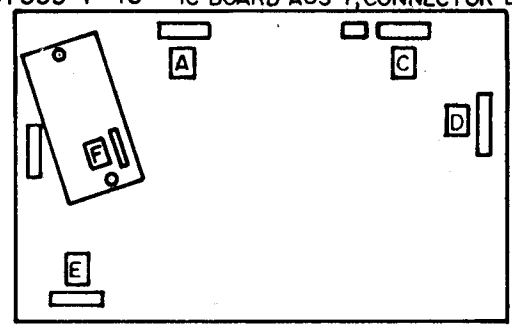
IC BOARD ASSY, N-SUB (UPRIGHT MODEL)

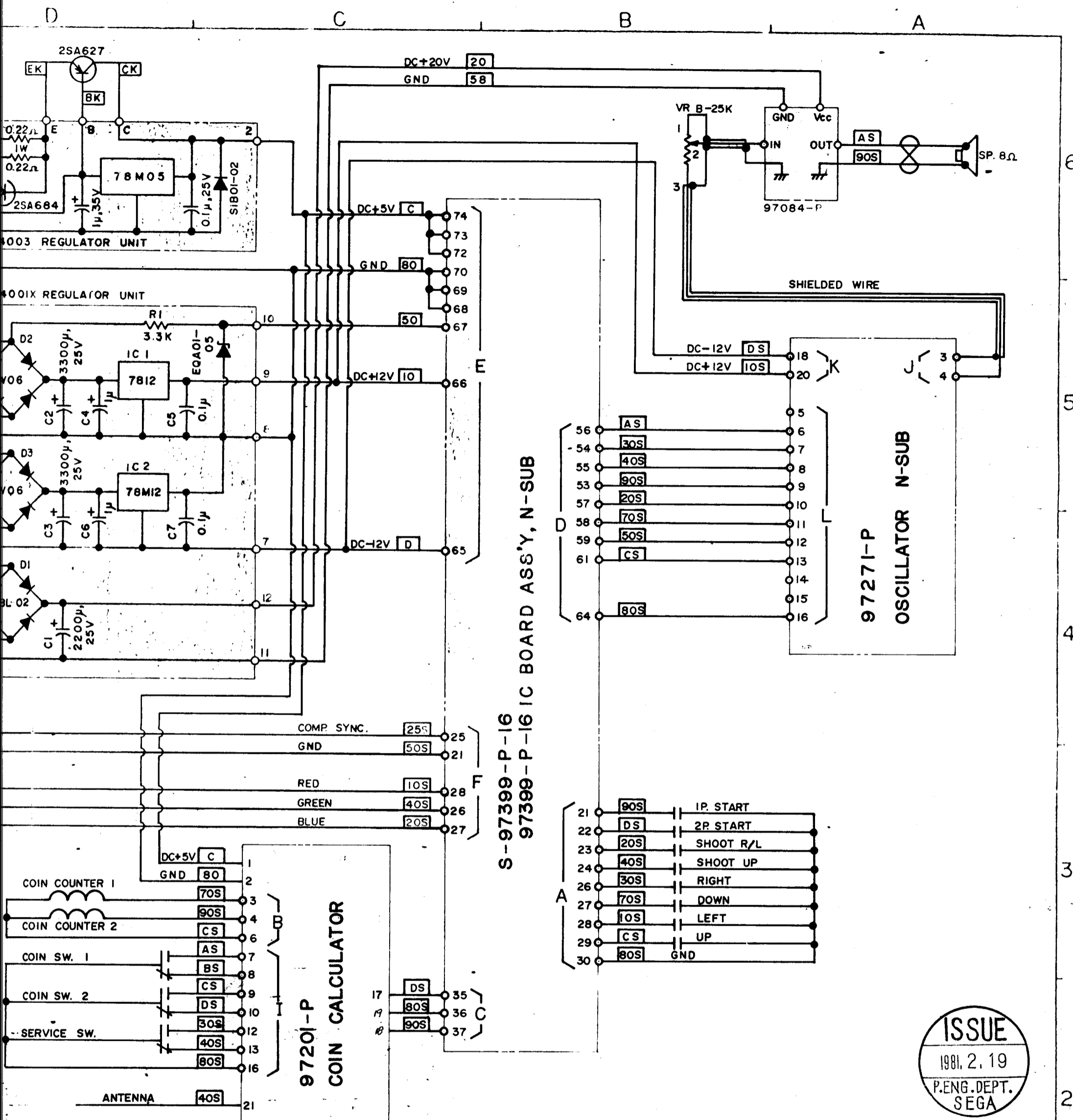
97269-P-B (配線) INST. NO. 407
INSTRUCTIONS, N-SUB = 31L.



FRONT PANEL, BALLAST COIL
COIN CHUTE DOOR & CASH BOX ASS'Y

S-97399-P-16
97399-P-16 IC BOARD ASS'Y, CONNECTOR LOCATION

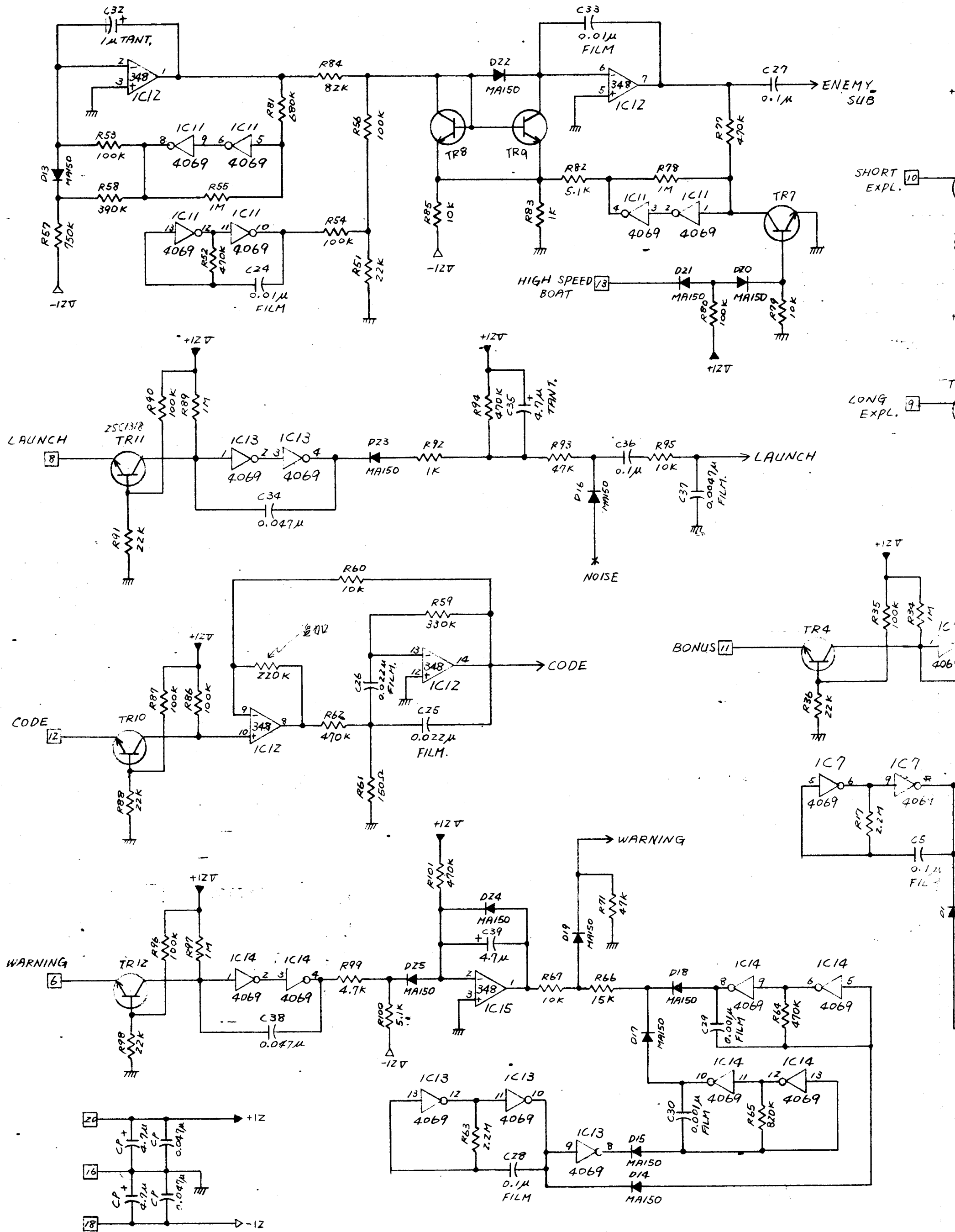




ISSUE
 1981. 2. 19
 P. ENG. DEPT.
 SEGA

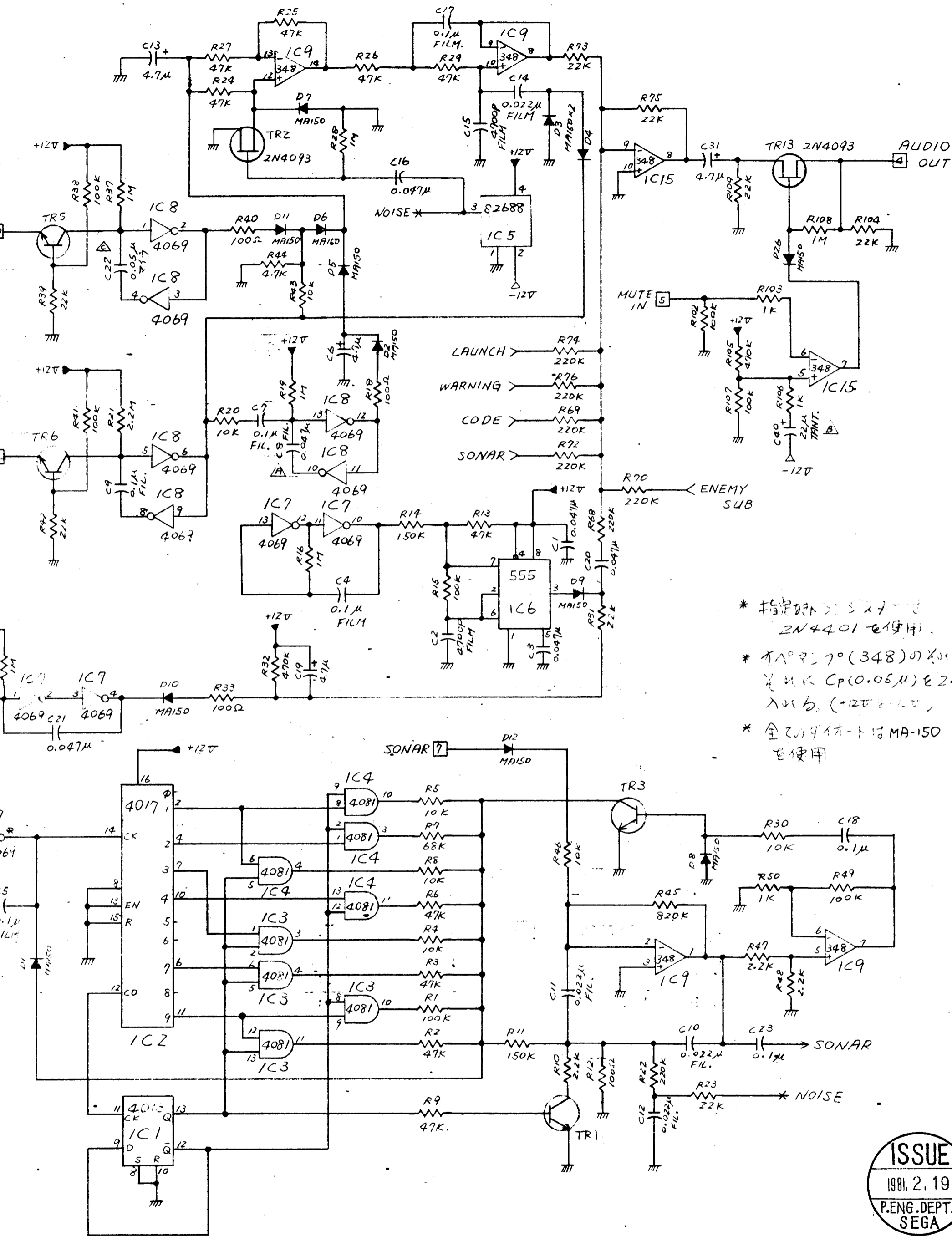
VOLTAGE	110-120V/200-240V	100V		CIRCLE IN THE SWITCH SYMBOLS INDICATES OPERATION BY A MOTOR
STAND-BY	W	140W		
MAXIMUM	USA 140W/1A/140V			MAKE AND BREAK SWITCH
POWERS				
9 8 7 6 5 4 3 2 1 NEW A B C D E F G H I J K L M N O P Q R S T U V W X Y Z CH 6 4 2 1	ALTERATION			NORMALLY CLOSED SWITCH OPEN WHEN ENERGIZED
	POWER CONSUMPTION			
	K KING WIRE (TO BE)			
	L LARGE WIRE			
	M JUMPER WIRE			
	N LIGHT GREEN			
	O PURPLE			
	P BROWN			
	Q SKY BLUE			
	R PINK			
S GRAY				
T JACK				
U CHANGE				
V MARKING				
W WHITE				
X GREEN				
Y YELLOW				
Z BLUE				
CH 1 RED				
WIRE COLOR CODE				
SW 50 AMP SW SWITCH RE RELAY ARE PRESENTATIONS USED				NORMALLY OPEN SWITCH CLOSED WHEN ENERGIZED
SWITCH SYMBOLS				
APR				
ASS				
CKD				
DRW				
SGB-2844			T W C CHART NO	
SEGA N-SUB (100-240V) (50-60HZ)			381-1	
DESCRIPTION			SCHEMATIC DIAGRAM NO	

SEGA N-SUB (100-240V) (50-60HZ)
381-1



97271-P

OSCILL



- * 指定値より27-30
2N4401を使用
- * 入力抵抗70(348)の
1/2μK Cp(0.05μ)を24
入出力(+12Vと-12V)
- * 全2014材料はMA-150
を使用

ISSUE
1981. 2. 19
P.ENG.DEPT.
SEGA

△ C22 WAS 27 1/2-80
△ C40 WAS 43 1/2-80
△ C8 WAS 23 1/2-80

10. 14 1981
10/8-80
10/12-80

LLATOR N-SUB