

NO GOOD GOFERS



OPERATIONS MANUAL INCLUDES

Operations & Adjustments • Testing & Problem Diagnosis • Parts Information
Wiring Diagrams & Schematics

Williams Electronics Games, Inc., 3401 N. California Avenue, Chicago, IL 60618

DIP SWITCH SETTINGS AND JUMPERS

EPROM Jumper Settings for G11		W1	W2
1MEG, 2MEG, 4 MEG EPROM		In	Out

DIP Switch Chart

COUNTRY	SW1	SW2	SW3	SW4	SW5	SW6	SW7	SW8
AMERICA	Off	Off	On	On	On	On	On	On
EUROPEAN	Off	Off	On	On	On	Off	On	On
FRENCH	Off	Off	On	On	On	On	Off	Off
GERMAN	Off	Off	On	On	On	On	On	Off
SPAIN	Off	Off	On	On	Off	On	On	On

SOLENOID/FLASHER TABLE

Sol. No.	Function	Solenoid Type	Voltage Connections		Drive Xistor	Drive Connections		Drive Wire Color	Solenoid Part Number	
			Playfield	Backbox Cabinet		Playfield	Backbox Cabinet		Flashlamp Type	Playfield Insert
01	AUTO FIRE	High Power	J133-2		Q72	J116-1		VIO-BRN	AE-23-800	
02	KICKBACK	High Power	J133-2	J134-3	Q68	J116-2		VIO-RED	AE-23-800	
03	CLUBHOUSE KICKER	High Power	J133-2		Q71	J116-4		VIO-ORG	AE-23-800	
04	LEFT GOFER UP	High Power	J133-2		Q67	J116-5		VIO-YEL	LE-23-1300	
05	RIGHT GOFER UP	High Power	J133-2		Q70	J116-6		VIO-GRN	LE-23-1300	
06	JET POPPER	High Power	J133-2		Q66	J116-7		VIO-BLU	AE-27-1200	
07	LEFT EJECT	High Power	J133-2		Q69	J116-8		VIO-BLK	AE-24-900	
08	UPPER RIGHT EJECT	High Power	J133-2		Q65	J116-9		VIO-GRY	AE-26-1200	
09	TROUGH EJECT	Low Power	J133-3		Q44	J113-1		BRN-BLK	AE-26-1500	
10	LEFT SLINGSHOT	Low Power	J133-3		Q48	J113-3		BRN-RED	AE-26-1200	
11	RIGHT SLINGSHOT	Low Power	J133-3		Q43	J113-4		BRN-ORG	AE-26-1200	
12	TOP JET BUMPER	Low Power	J133-3		Q47	J113-5		BRN-YEL	AE-26-1200	
13	MIDDLE JET BUMPER	Low Power	J133-3		Q42	J113-6		BRN-GRN	AE-26-1200	
14	BOTTOM JET BUMPER	Low Power	J133-3		Q46	J113-7		BRN-BLU	AE-26-1200	
15	LEFT GOFER DOWN	Low Power	J133-3		Q41	J113-8		BRN-VIO	AE-30-2000	
16	RIGHT GOFER DOWN	Low Power	J133-3		Q45	J113-9		BRN-GRY	AE-30-2000	
17	JET FLASHER	Flasher	J133-6		Q28	J111-1		BLK-BRN	#906	
18	LOWER LEFT FLASHER	Flasher	J133-6		Q32	J111-2		BLK-RED	#906	
19	LEFT SPINNER FLASHER	Flasher	J133-6		Q27	J111-3		BLK-ORG	#906	
20	RIGHT SPINNER FLASHER	Flasher	J133-6		Q31	J111-4		BLK-YEL	#906, #89	
21	LOWER RIGHT FLASHER	Flasher	J133-6		Q26	J111-5		BLU-GRN	#89	
22	NOT USED	Flasher	J133-6		Q30			BLU-BLK		
23	NOT USED	Flasher	J133-6		Q25			BLU-VIO		
24	UNDERGROUND PASS	Flasher	J133-1		Q29	J111-8		BLU-GRY	AE-27-1200	
25	SAND TRAP FLASHER	Gen. Purpose	J133-6		Q16	J109-1		BLU-BRN	#906 (2)	
26	WHEEL FLASHER	Gen. Purpose	J133-6		Q15	J109-2		BLU-RED	#906	
27	LEFT RAMP DOWN	Gen. Purpose	J133-1		Q14	J109-3		BLU-ORG	SM1-28-900	
28	RIGHT RAMP DOWN	Gen. Purpose	J133-1		Q13	J109-4		BLU-YEL	SM1-28-900	

General Illumination

01	LEFT SIDE STRING	G.I.	J105-1		Q5	J105-7		WHT-BRN	#555, #545
02	RIGHT SIDE STRING	G.I.	J105-2		Q4	J105-8		WHT-ORG	#555, #545
03	GOFER SPOTLIGHT	G.I.	J105-3		Q3	J105-9		WHT-YEL	#44 #555, #545
04	*ILLUMINATION STRING 4	G.I.	J106-5		Q2	J106-10		WHT-GRN	#44
05	*ILLUMINATION STRING 5	G.I.	J106-6	J104-3	Q1	J106-11	J104-1	WHT-VIO	#44

Flipper Circuits	Solenoid Type	Playfield Voltage Connection	Drive Xistors Power Hold	Playfield Drive Connections	Drive Wire Colors Hold	Coil Part No.	Coil Colors
29		Power	J119-1 (RED-GRN)	Q90	J120-13	YEL-GRN	
30	LOWER RIGHT FLIPPER	Hold	J119-1 (RED-GRN)	Q92	J120-11	ORG-GRN	FL-11629 BLUE
31		Power	J119-4 (RED-BLU)	Q87	J120-9	YEL-BLU	
32	LOWER LEFT FLIPPER	Hold	J119-4 (RED-BLU)	Q89	J120-7	ORG-BLU	FL-11629 BLUE
33		Power	J119-6 (RED-VIO)	Q84	J120-6	YEL-VIO	
34	UPPER RIGHT FLIPPER	Hold	J119-6 (RED-VIO)	Q86	J120-4	ORG-VIO	FL-11630 RED
35	BALL LAUNCH RAMP	Power	J119-8 (RED-GRY)	Q81	J120-3	YEL-GRY	LE-23-1300-T YELLOW
36	NOT USED	Hold	J119-8 (RED-GRY)	Q83	J120-1	ORG-GRY	

Motor Circuit	Solenoid Type	Playfield Voltage Connections	Drive Gates	Drive Connections Playfield	Drive Wire Color	Device Part Number Playfield	
37	WHEEL SPIN (counter clock-wise)	Low Power	J139-2	U3A, U3B	J110-1	BRN-WHT	SEE BELOW
38	WHEEL SPIN (clock-wise)	Low Power	J139-2	U3C, U3D	J110-3	ORG-WHT	SEE BELOW

Auxiliary Circuits	Solenoid Type	Voltage Connections Playfield	Drive Transistor	Drive Connections Playfield	Drive Wire Color	Device Part Number Playfield	
42	UPPER RIGHT 1 FLASHER	Flasher	J4-1	Q2	J4-2	BLU-BRN	#906
43	UPPER RIGHT 2 FLASHER	Flasher	J4-1	Q4	J4-3	BLU-RED	#906
44	UPPER RIGHT 3 FLASHER	Flasher	J4-1	Q6	J4-4	BLU-ORG	#906
45	UPPER PLAYFIELD RIGHT	Flasher	J4-1	Q8	J4-5	BLU-YEL	#906 (2)
46	UPPER PLAYFIELD LEFT	Flasher	J4-1	Q10	J4-7	BLU-GRN	#906 (2)
47	UPPER LEFT 3 FLASHER	Flasher	J4-1	Q12	J4-8	BLU-BLK	#906
48	UPPER LEFT 2 FLASHER	Flasher	J4-1	Q14	J4-9	BLU-VIO	#906
49	UPPER LEFT 1 FLASHER	Flasher	J4-1	Q16	J4-10	BLU-GRY	#906

*These general illumination strings do not brighten and dim, they are always on.

24-6549 =	#44 bulb	24-8768 =	#555 bulb
24-8704 =	#89 bulb	24-8802 =	#906 bulb

Tieback Diodes:
J109-8 & J109-9
J111-10 & J111-11

For solenoids #37 and #38:
Motor, 14-7955-1
DC Motor Control Board, A-16120
Motor 2-Opto Board, A-22026

DECLARATION OF CONFORMITY

WILLIAMS ELECTRONICS GAMES, INC.

3401 N. CALIFORNIA AVE.
CHICAGO, IL 60618
U.S.A.

**WE, HEREBY DECLARE UNDER SOLE RESPONSIBILITY THAT
THE MODEL: "NO GOOD GOFERS" 50261,50361,50461,50761,50961,
51061,51161,51361,51461,51861,52061,52261,52361,57261 PIN
TO WHICH THIS DECLARATION RELATES IS IN CONFORMITY WITH THE
FOLLOWING EUROPEAN PRODUCT SAFETY DIRECTIVES:**

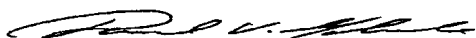
ELECTROMAGNETIC COMPATABILITY DIRECTIVE
(89/336/EEC AND AMENDMENTS 91/C162/08, 92/31/EEC,93/68/EEC

**ELECTRICAL EQUIPMENT DESIGNED FOR USE WITHIN
CERTAIN VOLTAGE LIMITS DIRECTIVE**
(73/23/EEC AND AMENDMENTS 88/C168/02, 92/C210/01,
93/68/EEC, 94/C199/03, 95/C214/02)

EN 55014:1993 EN55104:1995 EN61000-4-2: 1995
IEC 801-3: 1984 (EN61000-4-3) EN61000-4-4: 1995 EN61000-4-5: 1995
ENV50141: 1993 (EN61000-4-6) EN61000-4-11: 1994 EN60335-1: 1995
IEC 335-2-82 (DRAFT)

Date issued: SEPTEMBER 18, 1997

MANUFACTURE'S SIGNATURE



DAN GALARDE
CORPORATE V.P. OF QUALITY

ATTENTION

The Security CPU board has an added security chip that can be interchanged between other **NO GOOD GOFERS** games and software revision levels. The CPU board itself is interchangeable with later model games, but must be equipped with the correct security chip and software for that specific game.

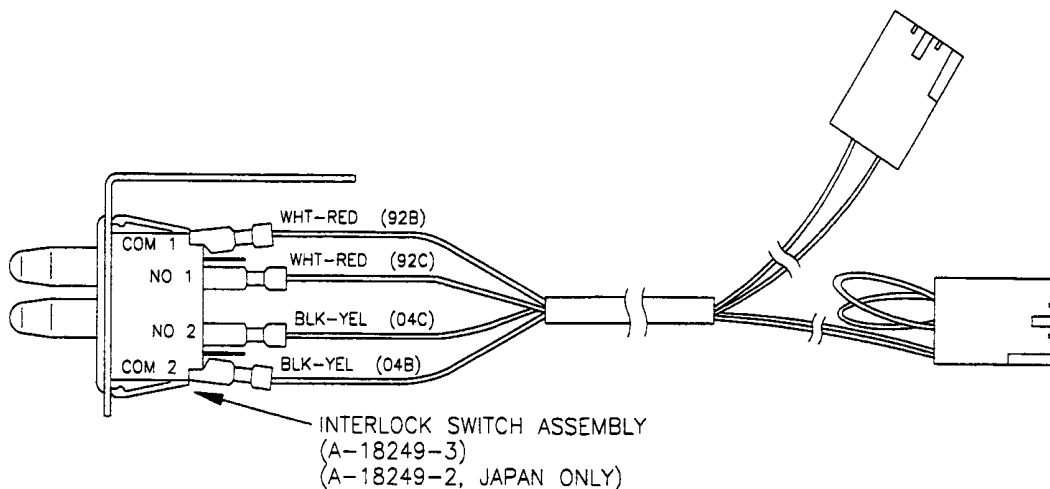
The games' electronic ID number is shown in the display during power-up. The number displayed is the same nine-digit number printed on the security chip label. The first three digits are the project number without the country specific code. An example of the power-up display is shown below, the electronic ID number is bolded.

TESTING		
50061		EPROM 1.0 A
561	100006	95749

IMPORTANT NOTICE

PLEASE READ

This pinball game is equipped with a SAFETY FEATURE to prevent shocks from the solenoid circuit when the coin door is opened. An interlock switch assembly (part no. A-18249-3), located at the left of the coin door opening, has been added to the game. This assembly consists of a bracket containing the existing memory protect switch on the bottom and a new interlock switch on the top. When the coin door is opened, this new interlock switch opens, breaking the connection to the +50V and +20V winding of the transformer secondary.



NO GOOD GOFERS

NO GOOD GOFERS™

- ◆ **OBJECT:** Play as many holes of golf as possible and attack **BUZZ** and **BUD**, the Gofers.
 - ◆ **GOLF:** To complete a hole of golf complete **LIT DRIVE SHOTS** then **SHOOT** for **PUTT-OUT**.
 - ◆ **WHEEL AWARDS:** The wheel award pointed at by the **WHEEL VALUE** lamp is **AWARDED** when you **PUTT-OUT**.
 - ◆ **MULTIBALL™:** **SHOOT** the **CENTER RAMP** when the **RAISE GOFER LAMP** is lit. **HIT RAISED GOFER** to light **LOCK**. **LOCK TWO BALLS** to **LIGHT CLUBHOUSE** for **MULTIBALL™**.
 - ◆ **JACKPOT:** In **MULTIBALL™** shoot **SIDE RAMP** for **JACKPOT**.
 - ◆ **SUPER JACKPOT:** After making a **JACKPOT** a **HOLE-IN-ONE** awards **SUPER JACKPOT!**
 - ◆ **EXTRA BALL:** Extra ball is awarded by **Completing Holes of Golf** and from the **WHEEL, BONUS X** and other hidden features!
 - ◆ **RIPOFF!:** Start Ripoff by **Hitting the CAPTIVE BALL**. While in Ripoff Shoot for the **Two center ramps**. Hit the **Captive Ball** to **Add another ball!**
 - ◆ **DRIVING RANGE:** When the **SLAM RAMP™** is lowered shoot the ball onto the **DRIVING RANGE** to **AWARD YARDAGE, HIT THE CART** or get a **HOLE-IN-ONE**.
- HINT: Complete nine holes of golf for chance at **HOLE-IN-ONE CHALLENGE!**

16-10525.2

The information is current as of the time of its release.

Fill out and mail in game Registration card. Be sure to include the game serial number. For your records, write the PIC and game serial numbers in manual.

PIC Number _____

Serial Number _____

Williams Electronics Games, Inc. reserves the rights to make modifications and improvements to its products. The specifications and parts identified in this manual are subject to change without notice.

TABLE OF CONTENTS

Section 1 - Game Operation & Test Information	1-1
(System WPC) ROM Summary.....	1-1
Pinball Game Assembly Instructions.....	1-2
Game Control Locations.....	1-6
Game Operation.....	1-7
Raising the Playfield.....	1-8
Menu System Operation and Main Menu.....	1-9
Bookkeeping Menu	1-10
B.1 Main Audits.....	1-10
B.2 Earnings Audits.....	1-10
B.3 Standard Audits.....	1-10
B.4 Feature Audits.....	1-11
B.5 Histograms.....	1-12
B.6 Time-Stamps.....	1-13
Printouts Menu	1-14
Test Menu	1-15
T.1 Switch Edges Test.....	1-15
T.2 Switch Levels Test.....	1-15
T.3 Single Switch Test.....	1-15
T.4 Solenoid Test.....	1-16
T.5 Flasher Test.....	1-16
T.6 G.I. Test.....	1-16
T.7 Sound and Music Test.....	1-17
T.8 Single Lamp Test.....	1-17
T.9 All Lamps Test.....	1-17
T.10 Lamp and Flasher Test.....	1-17
T.11 Display Test.....	1-17
T.12 Flipper Coil Test.....	1-18
T.13 Ordered Lamp Test.....	1-18
T.14 Lamp Row-Col.....	1-18
T.15 DIP Switch Test.....	1-18
T.16 Gofer Test.....	1-18
T.17 Wheel Test.....	1-19
T.18 Empty Balls Test.....	1-19
Utilities Menu	1-20
U.1 Clear Audits.....	1-20
U.2 Clear Coins.....	1-20
U.3 Reset H.S.T.D.....	1-20
U.4 Set Time & Date.....	1-20
U.5 Custom Messages.....	1-20
U.6 Set Game I.D.....	1-20
U.7 Factory Adjustment.....	1-21
U.8 Factory Reset.....	1-21

Section 1 Continued...

U.9 Presets.....	1-21
Game Difficulty Table for U.S., Canadian, French, German, and European Games.....	1-21
Preset Table for U.S./Canada.....	1-21
U.10 Clear Credits.....	1-23
U.11 Auto Burn-in.....	1-23
Adjustments Menu.....	1-24
A.1 Standard Adjustments.....	1-24
A.2 Feature Adjustments.....	1-29
A.3 Pricing Adjustments.....	1-33
Pricing Table.....	1-40
A.4 H.S.T.D. Adjustment.....	1-41
A.5 Printer Adjustments.....	1-42
Error Messages.....	1-43
CPU Board & Audio Visual Board Error Codes.....	1-45
Opto Theory.....	1-45
LED List.....	1-46
Fuse List.....	1-47
Maintenance Information.....	1-48

Section 2 - Game Parts Information..... 2-1

Backbox Assembly.....	2-2
Cabinet Assembly.....	2-3
Audio Visual Board Assembly.....	2-4
Power Driver Board Assembly.....	2-6
CPU Security Board.....	2-8
Trough IR LED Board Assembly.....	2-10
Trough IR Photo Transistor Board Assembly.....	2-10
Coin Door Interface Board Assembly.....	2-11
Flipper Opto Board Assembly.....	2-11
16-Opto Driver Board with Brackets.....	2-12
Auxiliary 8-Driver Board Assembly.....	2-13
DC Motor Control Board Assembly.....	2-14
Motor 2-Opto Board Assembly.....	2-14
Flipper Assembly	2-15
Flipper Assembly	2-16
Flipper Assembly.....	2-17
Ball Trough Assembly Complete.....	2-18
Kicker Arm (slingshot) Assembly.....	2-19
Jet Bumper Assemblies.....	2-20
Jet Bumper Coil Assembly.....	2-21
Shooter Lane Kicker Assembly.....	2-22
Right Popper Assembly.....	2-23
Driven Disc Assembly.....	2-24

Section 2 Continued...

Loop Assembly.....	2-25
Floating Ramp Coil & Bracket Assembly.....	2-26
Lift Coil Assembly.....	2-27
Gofer Assembly.....	2-28
Backtrap Assembly.....	2-30
Eject Assembly.....	2-32
Bottom Arch Kicker Assembly.....	2-33
Tilt Mechanism Assembly.....	2-33
Mini Playfield Assembly.....	2-34
Posts.....	2-35
Ball Shooter Rod Assembly.....	2-36
Power Interface Assembly.....	2-37
Upper Playfield Parts List.....	2-38
Upper Playfield Parts Locations.....	2-39
Lower Playfield Parts List.....	2-40
Lower Playfield Parts Locations.....	2-41
Lamp Locations List.....	2-42
Lamp Locations.....	2-43
Solenoid/Flashlamp Locations List.....	2-44
Solenoid/Flashlamp Locations.....	2-45
Rubber Rings Locations.....	2-46
Ramp Locations.....	2-47
Switch Locations List	2-48
Switch Locations.....	2-50
Switch Matrix.....	2-51
Lamp Matrix.....	2-52
Solenoid/Flashlamp Table.....	2-53
Power Interface/Cordset Application.....	2-54

Section 3 - Wiring Diagrams & Schematics..... 3-1

Connector & Component Identification.....	3-1
Switch Matrix and Switch Matrix Circuit.....	3-2
Dedicated Switch Circuit.....	3-3
Lamp Matrix and Lamp Matrix Circuit.....	3-4
Solenoid/Flashlamp Circuit Table.....	3-5
Solenoid Wiring.....	3-6
Flashlamp Wiring.....	3-7
High Power and Low Power Solenoid Circuits.....	3-8
Flashlamp and Special (General Purpose) Solenoid Circuits.....	3-9
General Illumination Circuit.....	3-10
Flipper Circuit Diagram.....	3-11
Flipper Coil and End-of-Stroke Circuits.....	3-12
Flipper Cabinet Switch Circuits.....	3-13
Flipper Opto Board Assembly.....	3-14
LED and Photo Transistor Board Assemblies	3-15

Section 3 Continued...

Trough IR LED Board Assembly.....	3-16
Trough IR Photo Transistor Board Assembly.....	3-17
16-Opto Switch Board Assembly.....	3-18
16-Opto Switch Board Schematic.....	3-19
Individual Playfield Opto Switch Wiring Diagram.....	3-20
Ball Trough Opto Switches Wiring Diagram.....	3-21
DC Motor Control Board.....	3-22
Motor 2-opto Board.....	3-23
Wheel Spin Motor Wiring Diagram.....	3-23
Auxiliary 8-driver Board.....	3-24
Step Flasher Wiring Diagram.....	3-24
Auxiliary 8-driver Board Schematic.....	3-25
Coin Door Interface Board Interboard Wiring List.....	3-26
Coin Door Interface Board Schematic.....	3-27
Security CPU Board Interboard Wiring List.....	3-28
Audio Visual Board Interboard Wiring List.....	3-29
Power Driver Board Interboard Wiring List.....	3-30

NOTES

SECTION ONE

GAME OPERATION AND TEST INFORMATION

(System WPC) ROM SUMMARY

IC	TYPE	BOARD	LOCATION	PART NUMBER
Game 1	27c040	CPU	G11	A-5343-50061-1
Security Chip	PIC16C57	CPU	G10	A-5400-50061-1
Music/Speech	27c040	Audio	SU2	A-5343-50061-S2
Music/Speech	M27c801	Audio	SU3	A-5343-50061-S3
Music/Speech	M27c801	Audio	SU4	A-5343-50061-S4
Music/Speech	M27c801	Audio	SU5	A-5343-50061-S5
Music/Speech	M27c801	Audio	SU6	A-5343-50061-S6

NOTICE

Order replacement ROMS from your authorized Williams Electronics Games, Inc. distributor. Specify (1), part number (if available); (2), ROM level (number) on label; (3) game in which ROM is used.

PINBALL GAME ASSEMBLY INSTRUCTIONS

-NO GOOD GOFERS IS A SIX BALL GAME- -Plus one captive ball-

Power: Domestic 120V @ 60Hz
Foreign 230V @ 50Hz
Japan 100V @ 50HZ

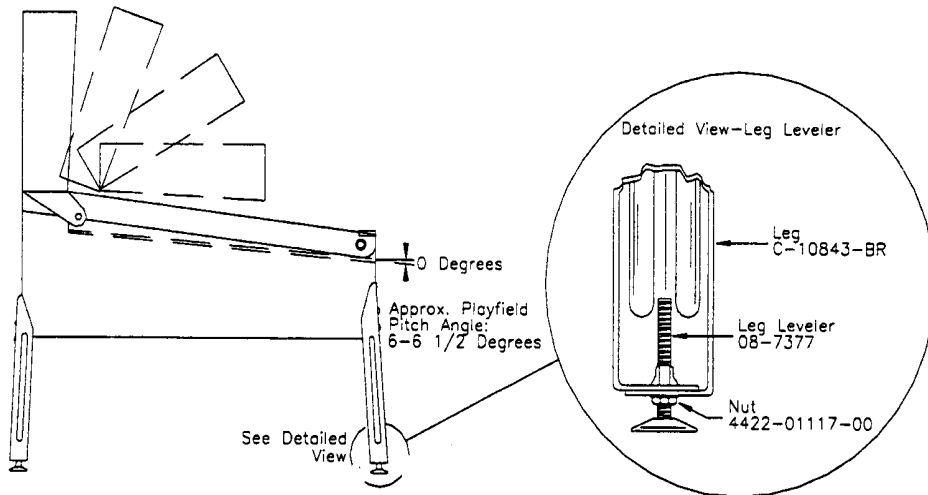
Temp: 32°F to 100° F, (0°C to 38°C)

Humidity: Not to exceed 95% relative.

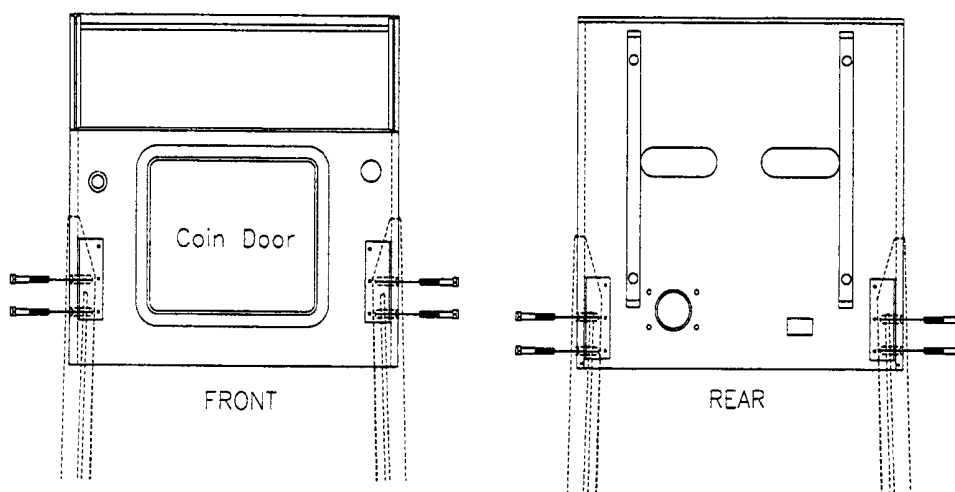
Dimensions: Width: 29" approx.
Depth: 52" approx.
Height: 75" approx.

Weight: 325 lb. approx. (crated)

1. Remove all cartons, parts, and other items from the shipping container and set them aside.
2. Leg levelers and leg bolts are among the parts in the cash box. Install leg levelers on the front and rear legs (View 1). Place cabinet on a support and attach rear legs using leg bolts (View 2).
3. Attach front legs using leg bolts (View 2).



VIEW 1



VIEW 2

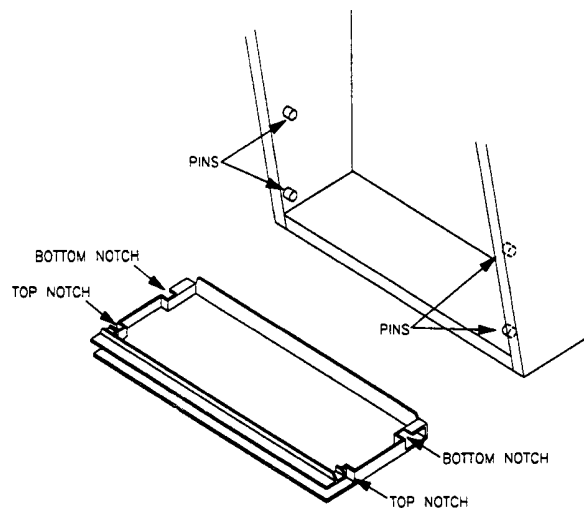
4. Reach into the cabinet and backbox and ensure that the interconnecting cables are not kinked or pinched. Be careful to avoid damaging wires at any stage of the assembly process.
5. Raise the hinged backbox upright and latch it into position.

Unlock the backbox. Carefully, lift the backglass/insert panel from the bottom. Slide it down and out of the backbox grooves. Rotate it forwards from the top, and lay it facedown on the playfield glass. Unplug the cables extending from the backbox to the backglass/insert panel. Carefully, set the backglass/insert panel aside.

Lift the speaker panel so that the top notches clear the top set of pins in the sides of the backbox. Rotate it forwards from the top, and lay it facedown on the playfield glass. The bottom of the speaker panel remains attached to the backbox.

Once the backglass/insert panel is removed and the speaker panel is lowered onto the playfield, the holes needed to secure the backbox upright are accessible. To secure the backbox, install the washer-head mounting bolts through the holes in the bottom of the backbox. Be sure that the bolts extend into the threaded fasteners in the cabinet.

Note: You have the option of removing the speaker panel completely. Lay the speaker panel on the playfield glass. Unplug the display cable, speaker cable, and the ground strap. Line up the bottom notches in the speaker panel with the bottom pins in the sides of the backbox. Lower the speaker panel through the notches and slide it under the backbox pins.



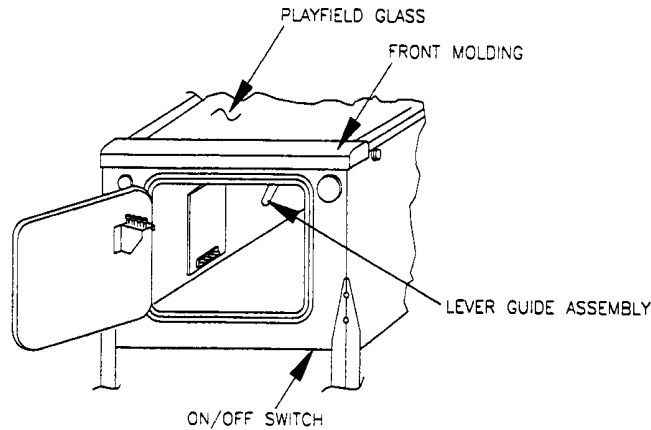
6. After the washer-head mounting bolts are installed, replace the speaker panel and the backglass/insert panel. Take care when plugging in the connectors. Connectors should plug in easily. Do not force the connectors.

CAUTION

FAILURE TO INSTALL the backbox mounting hardware properly can cause personal injury. **NEVER TRANSPORT** a pinball game with the hinged backbox erect. Always lower the backbox forward onto the playfield cabinet on a layer of protective material to prevent marring or damage and possible personal injury.

7. Extend each leg leveler *slightly* below the leg bottom, so that all four leg leveler pads are extended about the same distance. Remove the cabinet from its support and place it on the floor.

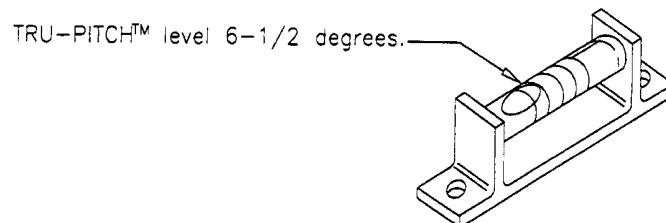
8. Unlock and open the coin door. Move the lever guide toward the left side of the game, and lift the front molding off of the playfield cover glass. Slide the lever guide to the right, and close the coin door. Carefully slide the glass downward, until it clears the grooves of the left and right side moldings. Lift the glass up and away from the game, storing it carefully to avoid breakage.



9. Place a level or an inclinometer on the playfield surface. Adjust the leg levelers for proper playfield level (side-to-side).

Note: This measurement must be made *ON* the playfield, not the cabinet or the playfield cover glass. Tighten the nut on each leg leveler shaft to maintain this setting.

10. The TRU-PITCH™ level is located on the right shooter rail. This allows the playfield pitch angle to be properly adjusted **WITHOUT REMOVING THE GLASS**. The first line (closest to the front of the game) on the level is approximately 6 degrees. Every line thereafter is approximately another 1/2 degree of pitch. The recommended pitch is 6-1/2 degrees. The **NOSE** of the bubble should be between the first and second line on the level (see diagram below).



IMPORTANT!

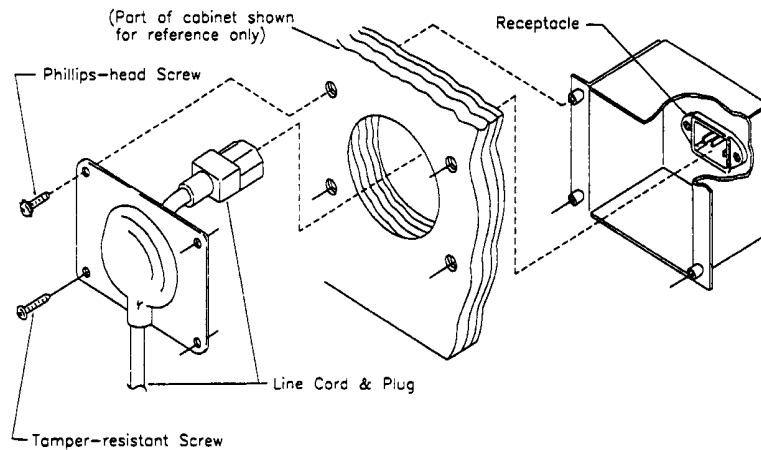
Playfield pitch angle can affect the operation of the plumb bob tilt. The plumb bob weight is among the parts in the cash box; the operator should install the weight and adjust this tilt mechanism for proper operation, after completion of the desired playfield pitch angle setting. The unit is factory installed for a 6-1/2 degree angle. If an adjustment is necessary, loosen the screw at the bottom of the unit. Move the pointer, one groove at a time to the left or the right, depending on the degree desired. Hold the pointer in place and tighten screw

11. Be sure the **required number** of balls is installed. The **NO GOOD GOFERS** game uses SIX balls, plus one captive ball.
12. Remove the foam from the captive ball feature. The captive ball is located next to the floating ramp.

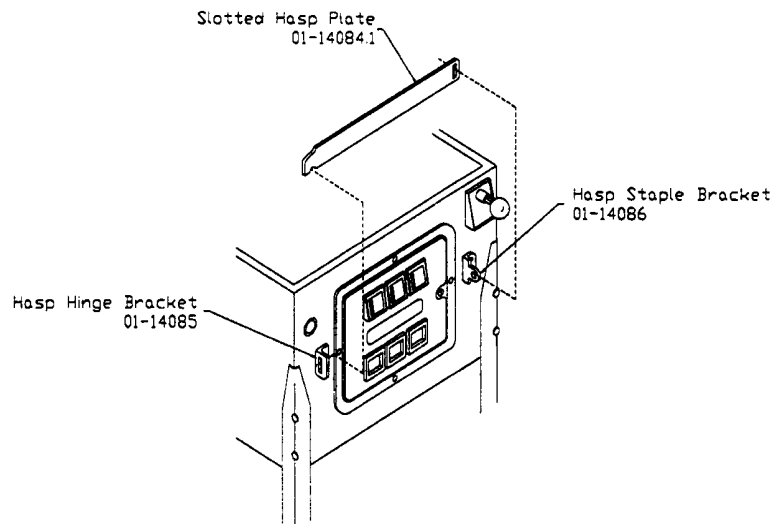
13. Install full playfield Mylar, if desired.

Note: The **NO GOOD GOFERS** playfield is coated with a special hardcoat surface and does not require a protective Mylar. However, mylars can be purchased through your local Williams Distributor.

14. Clean and reinstall the playfield cover glass. Replace and lock the front molding.
15. To attach the line cord, remove the four Phillips-head screws that mount to line cord cover plate to the rear cabinet. Match the prongs on the plug with the holes in the receptacle, and push the line cord securely into place. Make sure the cord is aligned with the indentation on the cover plate (indentation should point toward bottom of the cabinet). Remount line cord cover plate. If desired, four tamper resistant screws have been provided, in the unique parts bag, to remount cover plate.



16. Move the game into the desired location. Adjust the leg levelers so that the playfield pitch is the recommended 6-1/2 degrees. This places the game in a FIXED position.
17. If a padlock is desired, install the security bar as shown below.



18. **IMPORTANT:** Fill out and return the registration card.

GAME CONTROL LOCATIONS

NO GOOD GOFERS features a new coin door display. When the coin door is open (in Attract mode and game play), the display shows that the high-power has been disabled. It also shows the Test Report (if there is anything to report), and some game specific information. Use the flipper buttons to page through this information.

Cabinet Switches

The On-Off Switch is on the bottom of the cabinet near the right front leg.

The Start Button is a push-button to the left of the coin door on the cabinet exterior. Press the Start button to begin a game, or during the diagnostic mode, to ask for HELP.

Coin Door Buttons

The operator controls all game adjustments, obtains bookkeeping information, and diagnoses problems, using only four push-button switches mounted on the inside of the coin door. The coin door buttons have two modes of operation Normal Function and Test Function.

Normal Function

The Service Credits button puts credits on the games that are not included in any of the game audits.

The Volume Up (+) button raises the sound level of the game. Press and hold the button until the desired level is reached.

The Volume Down (-) button lowers the sound level of the game. Press and hold the button until the desired level is reached. See Adjustment A.1 28 to turn sound off completely.

The Begin Test button starts the Menu System operation and changes the coin door buttons from Normal Function to Test Function.

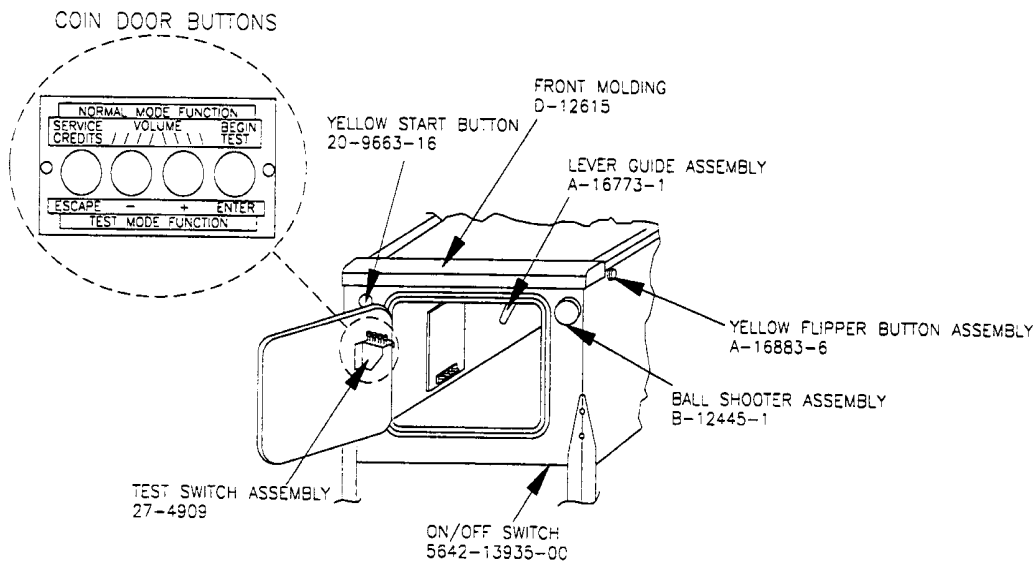
Test Function

The Escape button allows you to get out of a menu selection or return to the Attract mode.

The Up (+) button allows you to cycle forward through the menu selections or adjustment choices.

The Down (-) button allows you to cycle backward through the menu selections or adjustment choices.

The *Enter button allows you to get into a menu selection or lock in an adjustment choice.



****To reset High Score, hold down the Begin Test/Enter switch for five seconds while in the Attract mode.***

GAME OPERATION

CAUTION

After assembly and installation at its site location, this game must be plugged into a properly grounded outlet to prevent shock hazard, and to assure proper game operation. DO NOT use a 'cheater' plug to defeat the ground pin on the line cord. DO NOT cut off the ground pin.

POWERING UP. With the coin door closed, plug the game in, and switch it on. In normal operation, TESTING shows in the displays as the game performs Start-up tests. Once the Start-up tests have been successfully completed the last score is displayed and the game goes into the Attract mode.

Note: After the game has been on location for a time, the Start-up tests may contain messages concerning game problems. See 'Error Messages' for more detailed information regarding messages.

Open the coin door and press the Begin Test switch. The display shows the game name, number, and software revision. The message changes and the display will show the sound software revision, the revision level of the system software, and the date the software was revised.

<i>Example:</i>	NO GOOD GOFERS	Sound Rev. 1.0A
50061	Rev. 1.0A	SY. 0.X0
		XX-XX-97

Press the Enter button to enter the Menu System (refer to the section entitled "Menu System Operation" for more information). Perform the entire Test menu routine to verify that the game is operating satisfactorily.

In order to operate the tests that use the +50V or +20V circuits, pull the top interlock switch button out. The interlock switches are located on a bracket in the coin door opening.

ATTRACT MODE*. After completing the Test menu routine, press the Escape button three times to enter the Attract mode. During the Attract mode, the display shows a series of messages informing the player of the recent highest *scores, "**custom messages", and the score to obtain a replay *award.

CREDIT POSTING. Insert coin(s). A sound is heard for each coin, the music plays for one minute, and the display shows the number of credits purchased. So long as the number of maximum allowable credits* are NOT exceeded by coin purchase or high score, credits are posted correctly.

STARTING A GAME. Press the Start button. A startup sound plays, and the credit amount shown in the display decreases by one. The display flashes 00 (until the first playfield switch is actuated), and shows ball 1. If credits are posted, additional players may enter the game by pressing the Start button once for each player, before the end of play on the first ball.

TILTS. Actuating the cabinet slam tilt switch inside the cabinet ends the current game and proceeds to the Game Over mode. With the third closure* of the plumb bob tilt switch, the player loses the remaining play of that ball, but can complete the game.

END OF A GAME. All earned scores and bonuses are awarded. If a player's final score exceeds the specified value, the player receives a designated award for achieving the current highest score. A random digit set* appears in the display. Credits* may be awarded, when the last two digits of any player's score match the random digits. Match, high score, and game over sounds are made.

GAME OVER MODE. The Game Over display shows the high scores and the game proceeds to the Attract Mode.

* - Operator-adjustable feature

RAISING THE PLAYFIELD

CAUTION

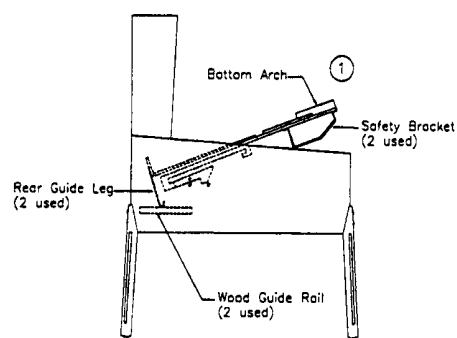
Do not raise the playfield straight up! This game uses a slide assembly to raise and lower the playfield.

Before Raising the Playfield:

Be sure there are no balls present in the ball trough or any of the other ball-holding playfield devices (i.e. poppers). Raising the playfield with balls present in these locations may cause them to come loose and damage the playfield. Use the "Empty Balls Test" to remove all of the balls from these locations.

To Raise the Playfield:

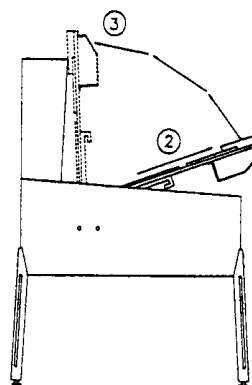
1. Grasp bottom arch and carefully lift up playfield only high enough to clear safety brackets. Rear guide legs should not hit wood guide rails, or be used to slide out playfield.



2. Pull the playfield out toward you until it stops (rest position), and raise it approximately 3".

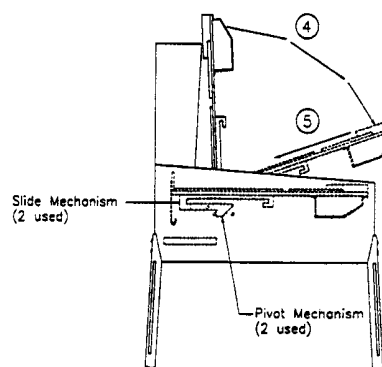
Be sure playfield is in locked position and does not slide back into cabinet. If it does, repeat Step 2 before proceeding to Step 3.

3. Rotate playfield to upright service position (lean on backbox) by pulling toward you and up. Listen for the sound of a click: this ensures locking and pivoting sequence. The latch will engage at the upper position.



To Lower the Playfield

4. Press down on the latch end to disengage (see decal) and rotate the playfield to the rest position. This unlocks the pivoting mechanism.
5. Push the playfield back into cabinet and into the playing position.



MENU SYSTEM OPERATION

The Main Menu allows you to choose from several options, which in turn lead to other menus to choose from. To access the Main Menu open the coin door, press the Begin Test button, then the Enter button. Press the Up and Down buttons to scroll through the Main Menu. To access a menu, (Bookkeeping, Printouts, etc.), from the Main Menu, press the Enter button. To return to the Main Menu (from Bookkeeping, Printouts, etc.) press the Escape button. Press the Start button for HELP.

MAIN MENU

B. BOOKKEEPING MENU		
	B.1 Main Audits	<u>Press Escape</u>
	B.2 Earning Audits	To move out of a menu selection.
	B.3 Standard Audits	
	B.4 Feature Audits	<u>Press Enter</u>
	B.5 Histograms	To get into a menu selection.
	B.6 Time-Stamps	
P. PRINTOUTS MENU		
	P.1 Earnings Data	<u>Press Up</u>
	P.2 Main Audits	Increases sequence; Example A.1, A.2, A.3, A.4.
	P.3 Standard Audits	<u>Press Down</u>
	P.4 Feature Audits	Decreases sequence; Example A.4, A.3, A.2, A.1.
	P.5 Score Histograms	
	P.6 Time Histograms	Use Up or Down to cycle through the selections in a menu.
	P.7 Time-Stamps	
	P.8 All Data	
T. TEST MENU		
	T.1 Switch Edges Test	Use Escape and Enter to move into and out of the selected menu.
	T.2 Switch Levels Test	
	T.3 Single Switches Test	
	T.4 Solenoid Test	
	T.5 Flasher Test	
	T.6 General Illumination Test	
	T.7 Sound and Music Test	
	T.8 Single Lamp Test	
	T.9 All Lamps Test	
	T.10 Lamp and Flasher Test	
	T.11 Display Test	
	T.12 Flipper Coil Test	
	T.13 Ordered Lamps Test	
	T.14 Lamp Row-Col.	
	T.15 DIP Switch Test	
	T.16 Gofer Test	
	T.17 Wheel Test	
	T.18 Empty Balls Test	
U. UTILITIES MENU		
	U.1 Clear Audits	
	U.2 Clear Coins	
	U.3 Reset H.S.T.D.	
	U.4 Set Time and Date	
	U.5 Custom Message	
	U.6 Set Game I.D.	
	U.7 Factory Adjustments	
	U.8 Factory Resets	
	U.9 Presets	
	U.10 Clear Credits	
	U.11 Auto Burn-in	
	U.12 Shipping	
A. ADJUSTMENT MENU		
	A.1 Standard Adjustments	
	A.2 Feature Adjustments	
	A.3 Pricing Adjustments	
	A.4 H.S.T.D. Adjustments	
	A.5 Printer Adjustments	

Press the Up or Down buttons to scroll through the Bookkeeping menu. Press the Enter button to access an audit menu. Press the Escape button to return to the Bookkeeping Menu.

B. BOOKKEEPING MENU

- B.1 Main Audits**
- B.2 Earning Audits**
- B.3 Standard Audits**
- B.4 Feature Audits**
- B.5 Histograms**
- B.6 Time-Stamps**

Using the One Button Audit System. The Bookkeeping Menu is obtainable directly from the Attract Mode. Repeatedly pressing the Enter button, while in the Attract Mode, will cycle through all of the game audits.

B.1 MAIN AUDITS

B.1 01	Total Earnings	00	B.1 06	Total Plays	00
B.1 02	Recent Earnings	00	B.1 07	Replay Awards	00
B.1 03	Free Play Percent	00	B.1 08	Percent Replays	00
B.1 04	Average Ball Time	00	B.1 09	Extra Balls	00
B.1 05	Time Per Credit	00	B.1 10	Percent Extra Ball	00

B.2 EARNING AUDITS

B.2 01	Recent Earnings	00	B.2 08	Total Earnings*	00
B.2 02	Recent Left Slot	00	B.2 09	Total Left Slot*	00
B.2 03	Recent Center Slot	00	B.2 10	Total Center Slot*	00
B.2 04	Recent Right Slot	00	B.2 11	Total Right Slot*	00
B.2 05	Recent 4th Slot	00	B.2 12	Total 4th Slot*	00
B.2 06	Recent Paid Credits	00	B.2 13	Total Paid Credits*	00
B.2 07	Recent Service Credits	00	B.2 14	Total Service Credits*	00

**These audits are NOT re-settable. They are a record of the earnings of the game since the "CLOCK 1ST SET" Time-stamp.*

B.3 STANDARD AUDITS

B.3 01	Games Started	00	B.3 22	Minutes On	00
B.3 02	Total Plays**	00	B.3 23	Balls Played	00
B.3 03	Total Free Play	00	B.3 24	Tilts	00
B.3 04	Free Play Percent	00	B.3 25	Replay 1 Awards	00
B.3 05	Replay Awards	00	B.3 26	Replay 2 Awards	00
B.3 06	Percent Replays	00	B.3 27	Replay 3 Awards	00
B.3 09	Match Awards	00	B.3 28	Replay 4 Awards	00
B.3 10	Percent Match	00	B.3 29	1 Player Games	00
B.3 11	H.S.T.D. Credits	00	B.3 30	2 Player Games	00
B.3 12	Percent H.S.T.D.	00	B.3 31	3 Player Games	00
B.3 13	Extra Ball	00	B.3 32	4 Player Games	00
B.3 14	Percent Extra Ball	00	B.3 33	H.S.T.D. Reset Count	00
B.3 15	Tickets Awarded	00	B.3 34	Burn-in Time†	00:00:00
B.3 16	Percent Tickets	00	B.3 35	1st Replay Level	00
B.3 17	Left Drains	00	B.3 36	Left Flipper	00
B.3 18	Right Drains	00	B.3 37	Right Flipper	00
B.3 19	Average Ball Time	00			
B.3 20	Average Game Time	00			
B.3 21	Play Time	00			

****Total Plays" only counts on completed games. A game is considered complete when the final ball begins. Audit information from incomplete games is ignored. Operation for test and service do not affect audits. †This Audit cannot be reset.*

B.4 FEATURE AUDITS		
B.4 01 KICKBACKS	00%	00
Number of times the kickback saved the ball.		
B.4 02 BALL SAVES	00%	00
Number of times the game performed a ball save.		
B.4 03 RAMP DROPS	00%	00
Number of times the Slam Ramp was dropped in main game play.		
B.4 04 SJ RAMP DROPS	00%	00
Number of times the Slam Ramp was dropped in Multiball.		
B.4 05 GOLF CART HITS	00%	00
Number of Golf Cart Hits after a Slam Ramp drop.		
B.4 06 HOLES-IN-ONE	00%	00
Number of Holes-in-One after a Slam Ramp drop.		
B.4 07 AROUND THE WORLD	00%	00
Number of times the ball traveled past the Cart and Hole-in-One Slam Ramp drop.		
B.4 08 MB START	00%	00
Number of times Multiball was started by the player.		
B.4 09 MB RE-OFFER	00%	00
Number of times Multiball Rematch was offered to the player.		
B.4 10 MB REMATCH	00%	00
Number of times Multiball Rematch was made by the player.		
B.4 11 MB JACKPOT	00%	00
Number of Multiball Jackpots awarded.		
B.4 12 MB SUPER JP	00%	00
Number of Multiball Super Jackpots awarded.		
B.4 13 SAND TRAP ARRIVES	00%	00
Number of times the ball landed in the Sand Trap.		
B.4 14 SAND TRAP ARRIVES	00%	00
Number of times the player won the Sand Trap award.		
B.4 15 BUD CLOBBERS	00%	00
Number of times Bud (the left Gofer) was hit.		
B.4 16 BUZZ CLOBBERS	00%	00
Number of times Buzz (the right Gofer) was hit.		
B.4 17 KICKBACKS LIT	00%	00
Number of times the kickback was lit from the K-I-C-K targets.		
B.4 18 PUTT OUTS	00%	00
Number of times the player completed a golf hole via a Putt-Out.		

Feature Audits Continued...

B.4 19 RIP-OFF HURRY-UP 00% 00
Number of times the Rip-off Hurry-up was started.

B.4 20 RIP-OFF STARTED 00% 00
Number of times the player hit the captive ball to start Rip-off Multiball.

B.4 21 CART STARTED 00% 00
Number of times Cart Attack was started by hitting the golf cart.

B.4 22 SKILL SHOTS 00% 00
Number of Skill Shots completed.

B.4 23 9TH HOLE STARTS 00% 00
Number of times the player completed the 9TH hole.

B.4 24 9TH HOLE SPECIALS 00% 00
Number of Specials awarded from the 9TH hole.

B.5 HISTOGRAMS

B.5 01	0 - 120,000 Scores	00%	00
B.5 02	120,000 to 250,000 Scores	00%	00
B.5 03	250,000 to 500,000 Scores	00%	00
B.5 04	500,000 to 1 Million Scores	00%	00
B.5 05	1 to 2 Million Scores	00%	00
B.5 06	2 to 4 Million Scores	00%	00
B.5 07	4 to 6 Million Scores	00%	00
B.5 08	6 to 12 Million Scores	00%	00
B.5 09	12 to 25 Million Scores	00%	00
B.5 10	25 to 50 Million Scores	00%	00
B.5 11	50 to 75 Million Scores	00%	00
B.5 12	75 to 99 Million Scores	00%	00
B.5 13	Over 99 Million Scores	00%	00
B.5 14	Game Time 0.0-1.0 Minute	00%	00
B.5 15	Game Time 1.0-1.5 Minutes	00%	00
B.5 16	Game Time 1.5-2.0 Minutes	00%	00
B.5 17	Game Time 2.0-2.5 Minutes	00%	00
B.5 18	Game Time 2.5-3.0 Minutes	00%	00
B.5 19	Game Time 3.0-3.5 Minutes	00%	00
B.5 20	Game Time 3.5-4.0 Minutes	00%	00
B.5 21	Game Time 4-5 Minutes	00%	00
B.5 22	Game Time 5-6 Minutes	00%	00
B.5 23	Game Time 6-8 Minutes	00%	00
B.5 24	Game Time 8-10 Minutes	00%	00
B.5 25	Game Time 10-15 Minutes	00%	00
B.5 26	Game Time Over 15 Minutes	00%	00

B.6 TIME-STAMPS

- B.6 01** Current Time
- B.6 02** Clock 1st Set
- B.6 03** Clock Last Set
- B.6 04** Audits Cleared
- B.6 05** Coins Cleared
- B.6 06** Factory Setting
- B.6 07** Last Game Start
- B.6 08** Last Replay
- B.6 09** Last H.S.T.D. Reset
- B.6 10** Champion Reset
- B.6 11** Last Printout
- B.6 12** Last Service Credit

Time-Stamp Menu allows you to view dates and times that are important to game software.

Press the Up or Down buttons to scroll through the Printouts menu. Press the Enter button to access a menu. Press the Escape button to return to the Printouts Menu.

P. PRINTOUTS MENU

(An optional board is required to use the Printouts feature.)

- P.1 Earnings Data**
- P.2 Main Audits**
- P.3 Standard Audits**
- P.4 Feature Audits**
- P.5 Score Histograms**
- P.6 Time Histograms**
- P.7 Time-Stamps**
- P.8 All Data**

The Printouts Menu is a combination of the other menus. This menu allows you to access and print information in the available menu selections.

If no printer is attached the message "Waiting for Printer" appears in the displays. **Note:** *Set the print specification from the Adjustment Menu, A.5 Printer Adjustments.*

Press the Up or Down buttons to scroll through the Test menu. Press the Enter button to access a test. Press the Escape button to return to the Test menu. During any test, press the Start button to obtain the wire color, driver number, connector number and fuse location.

T. TEST MENU

T.1 Switch Edges Test	T.10 Lamps And Flasher Test
T.2 Switch Levels Test	T.11 Display Test
T.3 Single Switch Test	T.12 Flipper Coil Test
T.4 Solenoid Test	T.13 Ordered Lamps Test
T.5 Flasher Test	T.14 Lamp Row-Col.
T.6 General Illumination Test	T.15 DIP Switch Test
T.7 Sound & Music Test	T.16 Gofer Test
T.8 Single Lamps Test	T.17 Wheel Test
T.9 All Lamps Test	T.18 Empty Balls Test

In order to operate the tests that use the +50V or +20V circuits, pull the top interlock switch button out. The interlock switches are located on a bracket just inside the coin door opening.

The switch matrix, on the left side of the display, shows the state of all switches. A dot indicates the switch is open, a square indicates the switch is closed. The numbers assigned to each switch indicate where the switch is located in the matrix. The number on the left indicates the column, the number on the right indicates the row. Example - Switch 23 is 2nd column, 3rd row.

A short to ground - on either the row or column wire - appears as a shorted row(s). However, a column wire shorted to ground disappears when all of the indicated row switches are open. A row wire shorted to ground does not disappear.

A shorted diode in the switch matrix can cause other switches to appear closed. These "phantom" switches (though not actually closed), complete a rectangle in the switch matrix. Therefore, if two switches in the same column are closed (example; #22 and #24), and a third switch is pressed in another column but in the same row as one of the first two (example; #32), the "phantom" switch #34 is falsely indicated as closed. The switch with the shorted diode is diagonally opposite the "phantom" switch (in this case #22).

T.1 SWITCH EDGES TEST

Press each of the switches one at a time. The name and number of the switch is shown in the display. If a switch other than the one pressed, or no switch at all is indicated, the system has detected a problem with the switch circuit. To return the Test menu, press the Escape button.

T.2 SWITCH LEVELS TEST

This test automatically cycles through all switches that are detected closed. The name and number of each switch that is detected is shown in the display. A filled square indicates the switch's position in the matrix. To return the Test menu, press the Escape button.

T.3 SINGLE SWITCHES TEST

This test isolates a single switch and shows its state in the display. A mechanical switch is 'made' when the display reads closed. An opto switch is 'made' (opto beam broken) when the display reads open. Use the Up or Down buttons to select the switch to be tested. To return the Test menu, press the Escape button.

T.4 SOLENOID TEST

The Solenoid test has three modes -- Repeat, Stop, and Run. Only one solenoid should pulse at a time. The system has detected a problem if more than one solenoid pulses, a solenoid comes on and stays on, or no solenoids pulse during the Repeat and Run modes.

Repeat: The Repeat mode pulses an individual solenoid. Press the Enter button to start this test. The name of the first solenoid shows in the display and the corresponding coil pulses. Press the Up or Down buttons to cycle through the solenoids, one at a time. The same solenoid pulses until you press the Up or Down buttons to advance to the next one. To return the Test menu, press the Escape button. To advance to the next test mode, press the Enter button.

Stop: The Stop mode halts the Solenoid test. No solenoids should be active. To return the Test menu, press the Escape button. To advance to the next test mode, press the Enter button.

Run: The Run mode cycles through the solenoids automatically. The display shows the name and number of the solenoid currently being pulsed. To return the Test menu, press the Escape button. To return to the Repeat mode, press the Enter button.

T.5 FLASHER TEST

This tests the flashlamp part of the solenoid circuit. There are three modes -- Repeat, Stop, and Run. During this test the flashlamp circuit named in the display should blink. The system has detected a problem if more than one flashlamp circuit blinks, the lamps stays on, or no lamps blink during the Repeat and Run modes.

Repeat: The Repeat mode pulses an individual flashlamp. Press the Enter button to start this test. The name and number of the first flashlamp is displayed and the corresponding bulb(s) blinks. The same bulb(s) blinks until you press the Up or Down buttons to advance to the next one. To return to the Test menu, press the Escape button. To advance to the next test mode, press the Enter button.

Stop: The Stop mode halts the Flasher test. There should not be any flashlamps lit during this mode. To return to the Test menu, press the Escape button. To advance to the next test mode, press the Enter button.

Run: The Run mode cycles through the flashlamps automatically. The display shows the name and number of the flashlamp circuit currently being pulsed as the corresponding bulb(s) flashes. To return to the Test menu, press the Escape button. To return to the Repeat mode, press the Enter button.

T.6 GENERAL ILLUMINATION TEST

This test checks all of the General Illumination circuits. There are two modes of operation -- Stop and Run.

Note: General Illumination strings four & five do not brighten or dim, they are always ON.

Stop: The Stop mode allows you to cycle through the General Illumination test manually. Press the Up or Down buttons to advance through the test. All illumination is tested first, followed by an individual circuit test. The circuit name and number shows in the display while the corresponding bulbs light. If any other results occur the system has detected an error. To return to the Test menu, press the Escape button. To advance to the next test mode, press the Enter button.

T.6 GENERAL ILLUMINATION TEST CONTINUED...

Run: The Run mode cycles through the General Illumination test automatically. For each circuit shown in the display the corresponding bulbs should light. If any other results occur, the system has detected a problem. To return to the Test menu, press the Escape button. To return to the Stop mode, press the Enter button.

T.7 SOUND AND MUSIC TEST

The Sound and Music test checks the audio circuits. This test has three modes for testing the sound and music circuits -- Run, Repeat, and Stop.

Run: The Run mode steps through a sequence of sounds and music. Press the Up or Down buttons to advance to a particular sound or tune. A sound or tune should be heard for each name and number that appears in the display. Any other results indicate the system has detected a problem. To return to the Test menu, press the Escape button. To advance to the next test mode, press the Enter button.

Repeat: The Repeat mode causes the program to stop and repeat a particular sound/tune. The same sound repeats continuously until you press the Up or Down buttons to advance to the next one. Any other results indicates the system has detected a problem. To return to the Test menu, press the Escape button. To advance to the next test mode, press the Enter button.

Stop: The Stop mode stops this test altogether. Nothing should be heard. Any other results indicate the system has detected a problem. To return to the Test menu, press the Escape button. To return to the Run mode, press the Enter button.

T.8 SINGLE LAMP TEST

The number assigned to each lamp indicates the lamp's position in the matrix. The number on the left indicates the column. The number on the right indicates the row. Example - Lamp 23 means 2nd column, 3rd row.

The Single Lamp test checks each lamp circuit individually. Press the Up or Down buttons to scroll through this test. A lamp should light for each name and number that is displayed. Any other results indicate the system has detected a problem. To return to the Test menu, press the Escape button.

T.9 ALL LAMPS TEST

This test causes all the controlled lamps to flash at the same time. Every controlled lamp should flash. Any other results indicate the system has detected a problem. To return to the Test menu, press the Escape button.

T.10 LAMP AND FLASHER TEST

This test causes all the flashlamps and the controlled lamps to flash at the same time. The controlled lamps blink, while the flashlamps cycle from highest to lowest. Any other results indicate the system has detected a problem. To return to the Test menu, press the Escape button.

T.11 DISPLAY TEST

This test automatically checks every dot in the Dot Matrix Display board. A series of patterns appear in sequence. Each pattern turns on and off a section of dots. Every dot on the matrix display should be turned on and off during this test. To return to the Test menu, press the Escape button.

T.12 FLIPPER COIL TEST

The Flipper Coil test has three modes -- Repeat, Stop, and Run. Only one flipper should pulse at a time. The system has detected a problem if more than one flipper pulses, a flipper comes on and stays on, or no flippers pulse during the Repeat and Run modes.

Repeat: The Repeat mode pulses an individual flipper. Press the Enter button to begin the test. Press the Up or Down buttons to cycle through the flipper coils one at a time. To return to the Test menu, press the Escape button. To advance to the next test mode, press the Enter button.

Stop: The Stop mode halts the Flipper Coil test. No coils should pulse while the test is stopped. To return to the Test menu, press the Escape button. To advance to the next test mode, press the Enter button.

Run: The Run mode cycles through the flippers automatically. The display shows the name and number of the flipper coil currently being pulsed. To return to the Test menu, press the Escape button. To return to the Repeat mode, press the Enter button.

T.13 ORDERED LAMPS TEST

The number assigned to each lamp indicates the lamp's position in the matrix. The number on the left indicates the column. The number on the right indicates the row. Example - Lamp 23 means 2nd column, 3rd row.

This test checks each lamp circuit individually. Press the Up or Down buttons to cycle through the lamps. Lamps light in a clock-wise or counter clock-wise direction starting from the bottom of the playfield. The direction depends on whether the Up or Down button is pressed. For each name and number that is shown in the display, the corresponding lamp should light. Any other results indicate the system has detected a problem. To return to the Test menu, press the Escape button.

T.14 LAMP ROW - COLUMN

This test allows individual rows and columns in the lamp matrix to be operated. This is useful for troubleshooting wiring and driver problems.

Press the Up and Down buttons to cycles through the different rows and columns.

To return to the Test menu, press the Escape button.

T.15 DIP SWITCH TEST

This test is used to show the positions of the DIP switches on the CPU board (U27).

To return to the Test menu, press the Escape button.

T.16 GOFER TEST

The Gofer test shows the state of the optos switches on the two Gofer mechanisms and shows the state of the two ramp switches. Close the coin door to begin the test, open the door and press Escape to stop the test and return to the Test menu.

The test will cycle the left Gofer and then the right Gofer, raising the head above the playfield, dropping the head, and then lowering the ramp. Any errors detected during the test will be shown on the display, and the suspected bad switch will be blinking on the display.

Possible Error Messages from Gofer Test:

CHECK COIL #xx: A coil used to raise or lower the gofer and/or ramp is believed to be faulty.

T.16 GOFER TEST CONTINUED...

OPTO FAILURE: The software cannot read the Gofer Down opto switch associated with this mechanism.

RAMP SW FAILURE: The software cannot read the Ramp Down microswitch associated with this mechanism.

WARNING GOFER DISABLED: The Gofer may not be operating in game play because it was disabled in the A2.12 or A2.13 adjustment(s).

T.17 WHEEL TEST

Use this test to check the orientation of the Wheel Award decal and check that the wheel motor is operating properly.

Press Enter to begin the test. The test will then spin the wheel and make sure that the wheel opto switches and the motor are functioning correctly. The display will then show what the game believes to be the current wheel position.

You may turn the wheel by hand to check the alignment of the wheel award decal. If you change the direction of the wheel's rotation, make sure to turn the wheel at least **ONE FULL REVOLUTION** to make sure that the game software can re-track where the pointer is pointing to.

Possible Error Messages from Wheel Test:

MOTOR WIRES REVERSED: The software has determined that the wires to the wheel motor or the wires that transmit the drive signal to the Motor board have been connected incorrectly. Reverse the orientation of the wheel motor's power wires and try this test again.

TRACKING FAILURE: The software cannot read the Wheel Inner Spin and Wheel Outer Spin optos. Check the 12-volt power supply to the Wheel Opto board, and check the individual switches using the T.1 Switch Test.

WARNING MOTOR DISABLED: The wheel may not be operating in game play because the Motor Disabled (A2.08) adjustment has been set to YES.

T.18 EMPTY BALLS TEST

This test kicks out all balls loaded in troughs, lockups, poppers, and kick-outs until no balls remain in those locations.

Note: *As the trough kicks out balls, they will stack up in the shooter groove, which may require manual clearing in order to allow further balls to be kicked out.*

To scroll through the Utilities menu, press the Up or Down buttons. To access a utility, press the Enter button. To see the setting choices of a utility option, press the Up and Down buttons. Press the Enter button to lock in a choice. If you make a mistake, press Escape while "Saving Adjustment Value" is in the display. The original setting is retained and the new setting is ignored. To return to the Utilities menu, press the Escape button.

U. UTILITIES MENU

U.1	Clear Audits	U.7	Factory Adjustments
U.2	Clear Coins	U.8	Factory Reset
U.3	Reset H.S.T.D.	U.9	Preset
U.4	Set Time & Date	U.10	Clear Coins
U.5	Custom Message	U.11	Auto Burn-in
U.6	Set Game I.D.		

U.1 CLEAR AUDITS

Press the Enter button to clear the Standard Audits (except Burn-in Time), Feature Audits, and Histograms.

U.2 CLEAR COINS

Press the Enter button to clear the Earnings Audits.

U.3 RESET H.S.T.D.

Press the Enter button to clear the High Score to Date Table and the Grand Champion.

U.4 SET TIME AND DATE

Press the Enter button to activate the time and date. Use the Up or Down buttons to change the value, then press the Enter button to lock in that value. If you make a mistake press the Escape button while "Saving Adjustment Value" is displayed. The new value is ignored and the original value is retained.

U.5 CUSTOM MESSAGE

Set A.1 20 to ON before trying to write a custom message.

Press the Enter button to begin entry of the custom message. Use the Up or Down buttons to cycle through letters. Use the Start button to cycle through punctuation marks. Press the Enter button to lock in the desired letter and punctuation. If you make a mistake, use Up and Down to select the "back-arrow" character. The "back-arrow" character is located before the space character and after the number nine. Press Enter while the back-arrow shows to erase the previously entered character. Once the message is complete, press and hold the Enter button until "Message Stored" is displayed.

Press the Escape button to cancel the new message. The message "Press Enter to Reset" appears. If Enter is pressed, the custom message is cleared and no message is displayed. If Escape is pressed, the original message remains intact.

U.6 SET GAME I.D.

This utility allows for the installation of a message, such as game location, that only appears on the printouts. Press the Enter button to activate Set Game I.D. Use the Up or Down buttons to cycle through letters. Use the Start button to cycle through punctuation marks. Press the Enter button to lock in desired letters and punctuation marks.

U.7 FACTORY ADJUSTMENT

Press the Enter button to restore the adjustments to factory settings.

U.8 FACTORY RESET

Press the Enter button to restore the adjustments to their factory setting, clear the Audits, H.S.T.D. Table, and Custom Message/Game I.D.

U.9 PRESETS

Use the Up or Down buttons to cycle through the available Presets. When the desired Preset is displayed, press the Enter button to lock in that Preset. If you make a mistake, press the Escape button while "Saving Adjustment Value" is displayed. The new value is ignored and the original value is retained.

Game Difficulty Levels The game play difficulty adjustments can be changed to a combination that is MUCH LESS to MUCH MORE difficult than Factory Settings. The Game Difficulty Setting Table lists the adjustments and settings that comprise the individual group.

U.9 01 INSTALL EXTRA EASY	MUCH LESS difficult than factory setting.
U.9 02 INSTALL EASY	Somewhat LESS difficult than factory setting.
U.9 03 INSTALL MEDIUM	Nearly the SAME as factory setting.
U.9 04 INSTALL HARD	Somewhat MORE difficult than factory setting.
U.9 05 INSTALL EXTRA HARD	MUCH MORE difficult than factory setting.

**DIFFICULTY SETTING TABLE FOR
U.S., CANADIAN, FRENCH, GERMAN, AND EUROPEAN GAMES**

Adj. #	Adj. Description	Extra Easy U.9 01	Easy U.9 02	Medium U.9 03 (factory)	Hard U.9 04	Extra Hard U.9 05
A.2 08	Ball Save After Ball 1	YES	YES	YES	YES	NO
A.2 15	Hole-in-One Reset	NO	NO	NO	NO	YES
A.2 22	K-I-C-K (Kickback) Starts	BLINKING	BLINKING	BLINKING	OFF	OFF
A.2 23	Stack Kickbacks	YES	YES	YES	NO	NO
A.2 25	First Cart Award At	2	2	3	3	4
A.2 26	Cart Award Interval	3	4	5	6	7
A.2 30	Cart Path Reset	NO	NO	YES	YES	YES

U.9 06 INSTALL 5 BALL

U.9 07 INSTALL 3 BALL

Adjustments U.9 06 and U.9 07 can be used to change a game to 3 or 5 ball play, including changing of certain features to the recommended 3-and 5-ball level. The Preset Game Adjustments Table for U.S./Canadian Games lists the adjustments and settings that comprise the individual groups.

PRESET ADJUSTMENTS TABLE FOR U.S. AND CANADIAN GAMES

Adj. #	Adj. Description	Install 5-ball U.9 06	Install 3-ball U.9 07
A.1 01	Ball Per Game	5	3
A.1 07	Replay Start	25,000,000	15,000,000
A.2 20	Cart Path Extra Ball Memory	NO	YES
A.2 21	Kickback Difficulty	HARD	MEDIUM
A.2 22	K-I-C-K (Kickback) Starts	OFF	BLINKING
A.2 23	Stack Kickbacks	NO	YES

U.9 08 INSTALL ADD-A-BALL

This option deletes all Free Play awards and replaces them with Extra Ball awards. Individual adjustments are affected, as follows:

Adjust.	Name	New Settings
A.1 13	Replay Boost	Off
A.1 14	Replay Award	Extra Ball
A.1 15	Special Award	Extra Ball
A.1 17	Extra Ball Ticket	No
A.1 19	Match Feature	Off
A.4 04	Champion Credits	00
A.4 05	High Score 1 Credits	00
A.4 06	High Score 2 Credits	00
A.4 07	High Score 3 Credits	00
A.4 08	High Score 4 Credits	00

U.9 09 INSTALL TICKET

This option deletes Credit awards and replaces them with Ticket awards. Individual adjustments are affected as follows:

Adjust.	Name	New Settings
A.1 14	Replay Award	Ticket
A.1 15	Special Award	Ticket
A.1 16	Match Award	Ticket
A.1 17	Extra Ball Ticket	Yes
A.1 31	Ticket Expansion Brd.	Yes
A.4 02	H.S.T.D. Award Ticket	Yes

U.9 10 INSTALL NOVELTY

This option removes all Free Play and Extra Ball awards. Individual adjustments are affected as follows:

Adjust.	Name	New Settings
A.1 04	Maximum Extra Ball	Off
A.1 05	Replay system	Fixed
A.1 09	Replay Level 1	Off
A.1 10	Replay Level 2	Off
A.1 11	Replay Level 3	Off
A.1 12	Replay Level 4	Off
A.1 15	Special Award	Points
A.1 19	Match Feature	Off
A.4 01	Highest Score	On
A.4 04	Champion Credit	00
A.4 05	High Score 1 Credits	00
A.4 06	High Score 2 Credits	00
A.4 07	High Score 3 Credits	00
A.4 08	High Score 4 Credits	00

U.9 11 NOT USED**U.9 12 SERIAL CAPTURE**

This sets up the printer adjustments for a serial transmission to a laptop computer, (9600 baud, 40 column, no page breaks, serial printer). This option requires the installation of the optional printer kit; part number 63110.

U.9 13 TO U.9 16 NOT USED

U.9 17 INSTALL GERMAN 1
U.9 18 INSTALL GERMAN 2
U.9 19 INSTALL GERMAN 3
U.9 20 INSTALL GERMAN 4
U.9 21 INSTALL GERMAN 5
U.9 22 INSTALL GERMAN 6

Adjustments U.9 17 through U.9 22 are used to modify game pricing and type of play.

U.9 23 INSTALL FRENCH 1
U.9 24 INSTALL FRENCH 2
U.9 25 INSTALL FRENCH 3
U.9 26 INSTALL FRENCH 4
U.9 27 INSTALL FRENCH 5
U.9 28 INSTALL FRENCH 6

Adjustments U.9 23 through U.9 28 are used to modify game pricing and type of play.

U.10 CLEAR CREDITS

Press the Enter button to clear the game Credits.

U.11 AUTO BURN-IN

Press the Enter button to activate Auto Burn-in. This utility automatically cycles through several tests. This helps in finding intermittent problems. The tests that Auto Burn-in cycles through are: the Display Test, the Sound and Music Test, the All Lamps Test, the Solenoid Test, the Flashers Test, the General Illumination Test, and the Flipper Coil Test. All of the tests run concurrently. The time spent on the burn-in cycle and the total time the game has spent in burn-in are displayed.

Press the Up or Down buttons to scroll through the Adjustments menu. To access an adjustment menu option, press the Enter button. To see the setting choices for that option press the Up and Down buttons. To lock in a setting choice, press the Enter button. If you make a mistake, press the Escape button while "Saving Adjustment Value" is in the display. The original value is retained and the new value is ignored. Press the Escape button to return to the Adjustment menu.

A. ADJUSTMENTS MENU

A.1 Standard Adjustments

A.2 Feature Adjustments

A.3 Pricing Adjustments

A.4 H.S.T.D Adjustments

A.5 Printer Adjustments (optional board required)

A.1 STANDARD ADJUSTMENTS

A.1 01 BALLS PER GAME

A "game" is defined by specifying the number of balls to be played.

Settings: 1 to 10

Factory Default: 3

A.1 02 TILT WARNINGS

The number of total actuation's of the plumb bob that can occur before the game is "tilted".

Settings: 1 to 10

Factory Default: 3

A.1 03 MAXIMUM EXTRA BALLS COUNT

The number of extra balls that a player may accumulate.

Settings: 0 to 10
NO EXTRA BALL - No extra balls may be accumulated.

Factory Default: 4

A.1 04 MAXIMUM EXTRA BALLS PER BALL IN PLAY

The number of extra balls to be awarded per ball in play.

Settings: OFF - No maximum number of extra balls per ball in play.
1 to 10 - 1 through 10 extra balls per ball in play.

Factory Default: OFF

A.1 05 REPLAY SYSTEM

The type of replay system to be used.

Settings: FIXED - Replay value is set and does not change during game play.
AUTO % - Replay starting value is set but changes every 50 games to comply with the percentage of replays desired.
OFF - Disable the replay system. No replays are awarded.

Factory Default: AUTO %

A.1 06 REPLAY PERCENT

The percentage of replays the players are able to earn when Auto Replay is used.

Settings: 5% to 50%

Factory Default: 10%

A.1 07 REPLAY START

Replay Start value when Auto % Replay is used.

Settings: 5,000,000 to 105,000,000

Factory Default: 24,000,000

A.1 08 REPLAY LEVELS

The number of replay levels used by the Auto % Replay mode. When two replay levels are chosen, the second replay level is automatically adjusted to twice the starting replay level. When three or four replay levels are chosen, their values are automatically adjusted to three or four times the starting replay level.

Settings: 1 to 4

Factory Default: 1

A.1 09 REPLAY LEVEL 1

A.1 10 REPLAY LEVEL 2

A.1 11 REPLAY LEVEL 3

A.1 12 REPLAY LEVEL 4

The value to be used for the 1st through 4th Fixed Replay.

Settings: 00 to 105,000,000.

A.1 13 REPLAY BOOST

The replay score can be temporarily boosted by the selected amount EACH time the player reaches or exceeds the replay score. This temporary boost is canceled when credits equal 0; the player inserts another coin, or when Begin Test is pressed.

Settings: AUTO - The Replay Boost value is half of the current Replay value.
ON - Score is boosted between 2,000,000 and 20,000,000 points.
OFF - Replay score is not boosted.

Factory Default: AUTO

A.1 14 REPLAY AWARD

The form of award automatically provided when the player exceeds any replay level for either Auto % Replay or Fixed Replay.

Settings: CREDIT - Reaching each replay level awards credit.
TICKET - Reaching each replay level awards a ticket.
BALL - Reaching each replay level awards an extra ball.
AUDIT - Reaching each replay level awards nothing to the player; it does increase the entry value of the audit item(s) maintaining a tally of these awards.

Factory Default: CREDIT

A.1 15 NOT USED

A.1 16 MATCH AWARD

The award automatically provided when the players win a match.

Settings: CREDIT - Winning a match awards a credit.
TICKET - Winning a match awards a ticket.

Factory Default: CREDIT

A.1 17 EXTRA BALL TICKET

A ticket is awarded when the player earns an extra ball.

Settings: YES - The player is awarded a ticket in addition to an extra ball.
NO - The player is not awarded a ticket.

Factory Default: NO

A.1 18 MAXIMUM TICKET/PLAYER

The amount of tickets each player can earn.

Settings: 00 to 100.

Factory Default: 25

A.1 19 MATCH FEATURE

This is the desired percentage for the Match Feature occurring at the end of the game.

Settings: OFF - Match Feature is not available.
1 to 50% - 1% is 'hard'; 50% is 'extremely easy'. The Match Feature selects random points score value at the end of the game and compares each player's score for an identical match. A match of an entire score value results in an award of a Credit or a Ticket.

Factory Default: 7%

A.1 20 CUSTOM MESSAGE

The message displayed during the Attract mode.

Settings: ON - A message is displayed
OFF - A message is not displayed.

Factory Default: ON

A.1 21 LANGUAGE

The language the game uses.

Settings: ENGLISH, FRENCH, OR GERMAN

Factory Default: ENGLISH

A.1 22 CLOCK STYLE

The style of clock the game uses.

Settings: A.M./P.M. or 24 hours.

Factory Default: A.M./P.M.

A.1 23 DATE STYLE

The style of dates the game uses.

Settings: MONTH/DATE/YEAR OR DATE/MONTH/YEAR

Factory Default: MONTH/DATE/YEAR

A.1 24 SHOW DATE AND TIME

The date and time show in the Attract mode.

Settings: YES - Show the date, time in status report or in the Attract mode.
NO - Do not show date, time in status report or in the Attract mode.

Factory Default: NO

A.1 25 ALLOW DIM ILLUMINATION

The game program dims the general illumination for special effects and during the Attract mode.

Settings: YES - Dim the general illumination during the Attract mode.
NO - Do not dim the general illumination.

Factory Default: YES

A.1 26 TOURNAMENT PLAY

Equalize random game features and global score values during multi-player games.

Settings: YES - Equalize random game features and global score values.
NO - Do not equalize random game features and global score values.

Factory Default: NO

A.1 27 EUROPEAN SCORE FORMAT

Use either commas or dots between digits when numbers are displayed.

Settings: YES - Dots instead of commas, (example- 1.000.000).
NO - Commas instead of dots, (example- 1, 000, 000).

Factory Default: NO

A.1 28 MINIMUM VOLUME OVERRIDE

The volume can be turned off.

Settings: YES - Volume can be turned off.
NO - Volume can be turned down but not off.

Factory Default: NO

A.1 29 GENERAL ILLUMINATION POWER SAVER

This allows the general illumination and controlled lamps to be dimmed following a time interval after a game is played. Power Saver Level (A.1 30) determines dimness of the lamps. Using this feature substantially increases the life of the lamps.

Settings: OFF, 2 to 60 minutes.

Factory Default: 15 minutes

A.1 30 POWER SAVER LEVEL

When General Illumination Power Saver (A.1 29) is set for 2 to 60 minutes, the Power Saver Level controls the intensity of the general illumination and controlled lamps after the game has been idle for the specified period of time.

Settings: 4 to 7 (4 = dimmest, 7 = brightest)

Factory Default: 5

A.1 31 TICKET EXPANSION BOARD

When a Ticket Expansion board is connected, full control of the ticket dispenser is available. This includes a ticket low/error lamp, resume on ticket jam switch and manual ticket dispense switch.

Settings: YES - Ticket Expansion board is connected.
NO - Ticket Expansion board is NOT installed in the game.

Factory Default: NO

A.1 32 NO BONUS FLIPS

The activation of flippers during the end of ball "bonus" sequence. Setting to "YES" may extend the life of the flipper mechanisms.

Settings: YES, NO

Factory Default: YES

A.1 33 GAME RESTART

When you press the Start button during or after the 2nd ball, the game in progress ends and a new game begins. This adjustment has three settings to determine how to handle this.

Settings: NEVER - Do not allow a new game start until the current game is over.
SLOW - Restart if the Start button is pressed continuously for over 1/2 second. This helps to prevent the unintended restart of the game in progress.
INSTANTLY - Restart as soon as the Start button is pressed.

When you press the Start button during game over, or during the 1st ball (to add a player), it is always handled instantly.

Factory Default: SLOW

A.2 FEATURE ADJUSTMENTS

A2.01 ATTRACT MODE SOUND

The operator can select whether or not the Attract mode has sounds on the flipper buttons to attract players.

Settings: YES, NO
Factory Default: YES

A2.02 ATTRACT MODE MUSIC

The operator can select whether or not the Attract mode plays a short tune to attract players.

Settings: YES, NO
Factory Default: NO

A2.04 PLAYER TOURNAMENT

When this adjustment is set to YES, holding both flipper buttons during Game Over mode for five seconds prompts the player with "TOURNAMENT MODE READY" and gives them ten seconds to start a game in Tournament mode.

Settings: YES, NO
Factory Default: YES

A2.05 BALL SAVES

This setting determines how many ball saves a player is allowed to have within a game.

Settings: OFF, OR 1 THROUGH 5
Factory Default: 1

A2.06 BALL SAVE TIME

This setting determines how long the ball saver is active (in seconds) once the player's ball is in play.

Settings: 3 to 15 seconds
Factory Default: 6 seconds

A2.07 TIMED PLUNGER

This setting allows the game to automatically plunge the ball from the shooter groove after a determined amount of inactivity. This time is shown in seconds after the ball is served.

Settings: ON, OFF
Factory Default: OFF

A2.08 BALL SAVE AFTER BALL 1

This decides if the player is allowed to have a ball save (or saves) after the first ball.

Settings: YES, NO
Factory Default: YES

A2.09 DISABLE MOTOR

Use this setting to disable the Wheel Award motor. If set to YES, the game will not attempt to use the motor and will compensate game rules accordingly.

Settings: YES, NO
Factory Default: NO

A2.10 DISABLE LEFT RAMP

Use this setting to disable the left ramp flap. If set to YES, the game will not attempt to use the left ramp lower coil and will compensate game rules accordingly.

Settings: YES, NO
Factory Default: NO

A2.11 DISABLE RIGHT RAMP

Use this setting to disable the Wheel Award motor. If set to YES, the game will not attempt to use the right ramp lower coil and will compensate game rules accordingly.

Settings: YES, NO
Factory Default: NO

A2.12 DISABLE LEFT GOFER

Use this setting to disable Bud, the left side gofer. If set to YES, the game will not attempt to operate this gofer and will compensate game rules accordingly.

Settings: YES, NO
Factory Default: NO

A2.13 DISABLE RIGHT GOFER

Use this setting to disable Buzz, the right side gofer. If set to YES, the game will not attempt to operate this gofer and will compensate game rules accordingly.

Settings: YES, NO
Factory Default: NO

A2.14 JETS DIFFICULTY

This determines how many jet bumpers are lit and flashing at game start.

Settings:	Jet Lit at Game Start	Jets Added/Lit on Next Ball	Carryover from Ball to Ball
Ex. Easy	3	2	YES
Easy	2	2	YES
Medium	1	1	NO
Hard	1	1	NO
Ex. Hard	0	1	NO

Settings: EXTRA EASY, EASY, MEDIUM, HARD, and EXTRA HARD.
Factory Default: MEDIUM

A2.15 HOLE-IN-ONE RESET

When set to YES, this will reset the Hole-in-One award when won by the player.

Settings: YES, NO
Factory Default: NO

A2.16 TRAP EXTRA BALL MEMORY

The operator selects whether or not the extra ball lit from completing Sand Traps remains lit from ball to ball.

Settings: YES, NO
Factory Default: YES

A2.17 GOLF EXTRA BALL COUNT

This determines how many Putt-Out awards will light Extra Ball. Choosing Auto % lets the game decide the count to keep the extra ball percentage around 25%.

Settings: 4, 5, 6, AUTO %
Factory Default: 5

A2.18 GOLF EXTRA BALL MEMORY

The operator selects whether or not the Extra Ball lit from completing Putt-Outs will remain lit from ball to ball.

Settings: YES, NO
Factory Default: YES

A2.19 WHEEL EXTRA BALL MEMORY

This decides if the Extra Ball lit from the Putt-Out Wheel award will remain lit from ball to ball.

Settings: YES, NO
Factory Default: NO

A2.20 CART PATH EXTRA BALL MEMORY

This decides if the Extra Ball lit from completing the Cart Path awards will remain lit from ball to ball.

Settings: YES, NO
Factory Default: YES

A2.21 KICKBACK DIFFICULTY

This decides how the kickback will be lit at the start of a player's ball, and how the light will carry over from ball to ball.

Settings:	Lit at Game Start	Lit at Ball Start
Ex. Easy	YES	YES
Easy	YES	MEMORY
Medium	YES	MEMORY
Hard	NO	MEMORY
Ex. Hard	NO	NO

Settings: EXTRA EASY, EASY, MEDIUM, HARD, and EXTRA HARD.
Factory Default: MEDIUM

A2.22 K-I-C-K (KICKBACK) STARTS

This decides how the K-I-C-K lamps are lit at game start.

Settings: OFF, BLINKING
Factory Default: BLINKING

A2.23 STACK KICKBACKS

If extra kickbacks are earned during game play, this setting decides if they are stored in memory or if they are discarded.

Settings: YES, NO
Factory Default: YES

A2.24 MAX KICKBACK STACK

If STACK KICKBACKS is set to YES, this decides how many kickbacks can be stored in memory.

Settings: 1 to 8
Factory Default: 1

A2.25 FIRST CART AWARD AT

This determines how many Cart Whacks are needed to start the first Cart Award.

Settings: 3 to 7
Factory Default: 3

A2.26 CART AWARD INTERVAL

This determines how many Cart Whacks are needed to start the next Cart Award (after the first).

Settings: 4 to 15
Factory Default: 5

A2.27 GOFER ATTITUDE

Buzz and Bud may say things that could upset more sensitive players. You can tone down their speech for a family setting by changing their attitude to just plain RUDE.

Settings: RUDE, VERY RUDE
Factory Default: VERY RUDE

A2.28 JET KICKBACK

This allows for a kickback on a very short time after the ball leaves the jet bumpers.

Settings: YES, NO
Factory Default: YES

A2.29 VOLUME INTERLOCK

This setting prevents accidental volume changes when adding service credits or entering the test mode. When set to YES, a flipper button needs to be held in while changing the game volume.

Settings: YES, NO
Factory Default: NO

A2.30 CART PATH RESET

This setting resets the cart path (multiplier) lamps after every ball.

Settings: YES, NO
Factory Default: YES

A2.31 HOLE IN ONE CHAMPION CREDITS

This sets the amount of credits given to a player that has become the new Hole-in-One Champion.

Settings: 00-10
Factory Default: 1

A2.32 DAILY HSTD CREDITS

This sets the amount of credits given to a player that has attained the daily High Score to Date.

Settings: 00-10
Factory Default: 00

A. 3 PRICING ADJUSTMENTS

A.3 01 GAME PRICING (If set to custom, then 02 to 09 are available).

The cost of a game is selected here from the Standard Pricing Table or by using the custom pricing editor (A.3 27).

A.3 02 to A.2 09 NOT USED

A.3 10 COIN DOOR TYPE (If set to custom, then 11 to 15, 20 and 25 are available).

This adjustment is used to preset adjustments 11 through 15, 20 and 25, based on standard coin doors.

A.3 11 COLLECTION TEXT

The coin system is used to display the Earning Audits.

A.3 12 LEFT SLOT VALUE

A.3 13 CENTER SLOT VALUE

A.3 14 RIGHT SLOT VALUE

A.3 15 4TH SLOT VALUE

These are the values for the coins for these respective coin slots. These values are used for determining collection totals. The corresponding adjustments A.3 28 (Left Slot Credit Value) through A.3 31 (4th Slot Credit Value) typically contain the same values and are used to determine the number of credits awarded for the coin slot. Whenever these values are changed, the new value is copied to the corresponding A.3 28 through A.3 31 adjustment. If a bonus is desired for a particular coin (such as three credits for dollar coin), then the corresponding A.3 28 through A.3 31 "Credit Value" adjustment should be modified to award the bonus. See "Bonus for Special Coin" section for more information.

A.3 16 MAXIMUM CREDITS

The maximum number of credits the game can accumulate, either through game plays awards or coin purchases. The range of this setting is 5 through 99. Reaching the specified setting prevents the award of any credits. Factory default is 10.

A.3 17 FREE PLAY

A player can operate the game without a coin (free play), or with a coin.

- NO - A coin is necessary for game play.
- YES - Game play is free; no coin required.

A.3 18 HIDE COIN AUDITS

The coin audits may, or may not, be displayed.

- YES - The coin audits are not displayed.
- NO - The coin audits are displayed.
- HIDE NAMES - The coin audit value is shown but not the audit name.

A.3 19 NOT USED

A.3 20 BASE COIN SIZE

This is the smallest unit of coin that may be used when creating a custom pricing mode using the Pricing Editor (A.3 27). For example, in the USA this is typically \$0.25. All pricing levels are then specified in 25 cents (or greater) increments.

A.3 21 COIN METER UNITS

The adjustment determines the value of each coin unit on the coin meter. For example, to show the total amount of money collected as total quarters, set the adjustment to 0.25. To show the total amount of money collected as "total dollars", set this adjustment to 1.00. Setting this adjustment to anything other than OFF establishes the coin unit for the meter installed on the Coin Door Interface board. **Note:** All WPC-95 games are cable ready to operate a coin meter mounted to the Coin Door Interface board. Boards without a meter can use the parts listed below to take advantage of the coin meter feature. The coin meter and spacer may be purchased from your distributor. coin meter +6V p/n 20-9302-3; spacer p/n 20-9914

A.3 22 DOLLAR BILL SLOT

The system normally requires 150 microseconds between coin pulses. This is too long a delay for a fast-pulsing dollar bill validator. This adjustment may be used to tell the game that there is a fast-pulsing dollar bill validator connected to one of the coin switches.

NONE = No validator connected.
LEFT = Validator connected to left slot.
CENTER = Validator connected to center slot.
RIGHT = Validator connected to right slot
FOURTH = Validator connected to fourth.

A.3 23 MINIMUM COIN MILLISECONDS

This is the minimum width required for coin pulses to be accepted as valid coins. This may be changed to prevent certain kinds of cheating.

A.3 24 NOT USED

A.3 25 ALLOW HUNDRETHS

This is used for a custom door specifier. If set to YES, then the values for A.3 12-15 are specified in units and hundredths (such as dollars and quarters). If set to NO, then all values are in units (such as Francs and Lire.)

A.3 26 CREDIT FRACTION

This determines the smallest fraction used for credits. It must be even to accommodate the extra ball buy-in option of 1/2 credit, and is typically 1/2 but may need to be a different value for modes requiring more coins per credit.

A.3 27 PRICING EDITOR

This function is now used to enter information for a custom pricing mode. The adjustment A.3 26 (Credit Fraction) may need to be set before entering the custom pricing editor. This specifies the smallest fraction available for partial credits.

Because of availability of an extra ball (buy-in) for 1/2 credit, this value is always even (1/2, 1/4, 1/6etc.). The typical setting for A.3 26 is 1/2 (such that there are only full credits and half credits) but you may need to use a different value for other pricing modes.

Please note that formerly, the coin values specified by custom coin doors adjustments A.3 12-15 only affected audit totals that showed collection totals. In the 10/94 pricing system, these coin values are added up for each coin received and credits are awarded based on pricing levels being reached. The pricing editor described here allows you to set these levels, however it may be necessary for you to set A.3 10 (Coin Door Type) to CUSTOM and then change A.3 11-15, 20 and 25 to reflect the value of the coins being used. This is usually NOT NECESSARY, but must be done BEFORE using the custom pricing editor when it is necessary.

Begin the custom pricing function by pressing the Enter button while A.3 27 Pricing Editor is showing in the display.

The pricing editor will now show the data for the currently selected pricing mode. If this is the 1st use of the pricing editor then this will show the last built-in pricing that was selected. Otherwise it will be the last custom mode created by this function. (Note that A.3 01 will display Custom any time a non-standard pricing has been selected.)

Assuming the last mode installed was 1/\$0.50, 2/\$0.75, 3/\$1.00 the display appears as follows:

CUSTOM PRICING EDITOR		
1)	\$0.25	1/2 cred.
2)	\$0.50	1 cred.
3)	\$0.75	2 cred.
4)	\$1.00	3 cred.

DISPLAY VIEW

The \$0.25 field will be flashing. You may now use the test mode buttons to perform the following functions:

Escape:

Undo any changes to the current field and move to the previous field.

"-" (Down):

Make the current field lower.

"+" (Up):

Make the current field higher.

Enter:

Save any changes to the current field and move to the next field. Note that there are 2 columns of fields. Price levels are in the left column and credit levels are in the right column. Pressing Enter will move from left column to right column before moving to the next line.

Start:

Save the current price mode or start over

By using the above functions, you simply enumerate each pricing level and the number of credits that should be awarded at that level. Please note that you must specify each fractional level in sequence.

Example:	1/\$0.50	2/\$1.00	4/\$1.50	6/\$2.00
1)	\$0.25	1/2 cred.		
2)	\$0.50	1 cred.		
3)	\$0.75	1 1/2 cred.		
4)	\$1.00	2 cred.		
5)	\$1.25	2 1/2 cred.		
6)	\$1.50	4 cred.		
7)	\$1.75	4 1/2 cred		
8)	\$2.00	6 cred.		

Also note that once the value of the coins repeat that no further specification is necessary.

Example:	1/\$0.50	2/\$1.00
1)	\$0.25	1/2 cred.

In the above example, only one line needs to be specified, indicating that 1/2 credit is awarded for each \$0.25 received.

Special Features:

There are some special features available by pressing the Down button while in the left column. The following words will be displayed instead of a pricing level:

<i>End</i>	<i>Repeat 3</i>	<i>Repeat 9</i>	<i>Repeat 15</i>
<i>Delete</i>	<i>Repeat 4</i>	<i>Repeat 10</i>	<i>Repeat 16</i>
<i>Insert</i>	<i>Repeat 5</i>	<i>Repeat 11</i>	<i>Repeat 17</i>
<i>Clear</i>	<i>Repeat 6</i>	<i>Repeat 12</i>	<i>Repeat 18</i>
<i>Repeat 1</i>	<i>Repeat 7</i>	<i>Repeat 13</i>	<i>Repeat 19</i>
<i>Repeat 2</i>	<i>Repeat 8</i>	<i>Repeat 14</i>	<i>Repeat 20</i>

Pressing Enter with the above words selected will activate the following instructions:

End

This is the same as pressing the Start button. A menu of choices will be provided (see Start Button later in this section).

Delete

This deletes the current level from the pricing mode.

Insert

This inserts a new pricing level ABOVE the current level. The current level will be unaffected. There must be room for at least one coin between the current level and the previous level, and at least one fractional credit unit between the current level and the previous level.

Example: Inserting a new pricing level.

CUSTOM PRICING EDITOR		
1)	\$0.50	1 cred.
2)	\$1.00	2 cred.
3)	\$1.50	4 cred.
4)	\$2.00	6 cred

DISPLAY VIEW

Use the Enter button to move to the \$1.50 field. Now press the Down button once to create the following display:

CUSTOM PRICING EDITOR		
1)	\$0.50	1 cred.
2)	\$1.00	2 cred.
3)	INSERT	4 cred.
4)	\$2.00	6 cred

DISPLAY VIEW

Now press the Enter button. The display will now show:

CUSTOM PRICING EDITOR		
1)	\$0.50	1 cred.
2)	\$1.00	2 cred.
3)	\$1.25	2 1/2 cred.
4)	\$1.50	4 cred

DISPLAY VI

Note that the line "5) \$2.00 6 cred." No longer fits on the display. Whenever there are more than four pricing levels that the display will scroll up and down as Enter and Escape are used to move from field to field. If you repeatedly press Enter the display will then show:

CUSTOM PRICING EDITOR		
2)	\$1.00	2 cred.
3)	\$1.25	2 1/2 cred.
4)	\$1.50	4 cred.
5)	\$2.00	6 cred

DISPLAY VIEW

Clear

This clears out the current entries to allow a new pricing mode to be entered.

Repeat (1-20)

This causes all of the entries above the current line to be repeated the number of times specified. This is only available when there are no pricing levels below the current line.

Example: 1/\$0.50 2/\$1.00 15/\$5.00

Use the "Edit New Pricing Mode" feature described below to clear out the current levels.

Use the Up and Enter buttons to specify 1/2 credit for \$0.25:

CUSTOM PRICING EDITOR		
1)	\$0.25	1/2 cred.

DISPLAY VIEW

Now, use the Up button until the display shows "Repeat 20". The display looks like this:

CUSTOM PRICING EDITOR		
1)	\$0.50	1 cred.
2)	REPEAT 20	

DISPLAY VIEW

Press the Enter button and the display will show the following:

CUSTOM PRICING EDITOR		
1)	\$0.25	1/2 cred.
2)	\$0.50	1 cred.
3)	\$0.75	1 1/2 cred.
4)	\$1.00	2 cred

DISPLAY VIEW

Actually, by repeating the 1st line 20 times the pricing mode is currently set up as follows, but only the 1st four lines are displayed.

CUSTOM PRICING EDITOR		
1)	\$0.25	1 /2 cred.
2)	\$0.50	1 cred.
3)	\$0.75	1 1/2 cred.
4)	\$1.00	2 cred.
5)	\$1.25	2 1/2 cred.
6)	\$1.50	3 cred.
7)	\$1.75	3 1/2 cred.
8)	\$2.00	4 cred.
9)	\$2.25	4 1/2 cred.
10)	\$2.50	5 cred.
11)	\$2.75	5 1/2 cred.
12)	\$3.00	6 cred.
13)	\$3.25	6 1/2 cred.
14)	\$3.50	7 cred.
15)	\$3.75	7 1/2 cred.
16)	\$4.00	8 cred.
17)	\$4.25	8 1/2 cred
18)	\$4.50	9 cred.
19)	\$4.75	9 1/2 cred.
20)	\$5.00	10 cred

DISPLAY VIEW

Now repeatedly press the Enter button to move the right hand column to the 20th level. The display will show (with "10 cred." Blinking):

CUSTOM PRICING EDITOR		
17)	\$4.25	8 1/2 cred.
18)	\$4.50	9 cred.
19)	\$4.75	9 1/2 cred.
20)	\$5.00	10 cred

DISPLAY VIEW

Now press the Up button repeatedly until the right hand column of line 20 reads "15 cred."

Start Button

Once the pricing mode has been specified, you exit the custom pricing editor by pressing the 'Start' button. This will bring up a menu with some or all of the following choices:

Choose an Option:
Return to Editor
Clear Pricing
Ignore Changes
Save Changes

DISPLAY VIEW

Use the Up and Down buttons to select your choice and press the Enter button to activate it. The selections cause the following actions:

Return To Editor

This option will allow you to continue to edit the pricing information.

Clear Pricing

This option will clear out all pricing levels and bring you back to the pricing editor to create a pricing mode from scratch.

Ignore Changes

This option will discard the work done in the previous pricing editor and leave the previously installed pricing mode in the game.

Save Changes

Press the Enter button to save your custom edited pricing mode and install it as the pricing for the game. Note that this choice will not be displayed if there is not at least one pricing level specified in the pricing editor, or if no changes have been made.

Exit Pricing Editor

This option will appear if no changes have been made. It will exit the Pricing Editor leaving the pricing as is.

Bonus for Special Coins

For most coin modes, the system allows the mixing of any combination of any size coin and awards credits as each appropriate amount is accumulated. With A.3 10 (Coin Door Type) set to "custom", the value of each coin slot may be entered for adjustments A.3 12 (Left Slot Value) through A.3 15 (4th slot value). Whenever these values are changed, the new values are copied to A.3 28 (Left Slot Credit Value) through A.3 31 (4th Slot Credit Value) respectively. To give a bonus for a particular coin, you need to modify the Credit Value adjustment to specify the value to be given for the bonus coin.

For example, in a game with a Left Coin Slot that takes quarters and a center coin slot that takes dollars, if you wish to charge 50 cents for 1 play and \$1.00 for 2 plays, you setup the pricing editor to show:

CUSTOM PRICING EDITOR		
1)	\$0.25	1/2 cred.
2)	\$0.50	1 cred.
3)	\$0.75	1-1/2 cred.
4)	\$1.00	2 cred

DISPLAY VIEW

If you set A.3 10 (Coin Door Type) to Custom you will see the following coin door specifier adjustments:

A.3 12	Left Slot Value	0.25
A.3 13	Center Slot Value	1.00
A.3 28	Left Slot Credit Value	0.25
A.3 29	Center Slot Credit Value	1.00

To change the pricing to 1 play for \$0.50, 2 plays for \$1.00 and 3 plays for a dollar coin, you change A.3 29 (Center Slot Credit Value) to 1.50. This will result in the following settings:

A.3 12	Left Slot Value	0.25
A.3 13	Center Slot Value	1.00
A.3 28	Left Slot Credit Value	0.25
A.3 29	Center Slot Credit Value	1.50

This will cause \$1.50 worth of credits (3) to be awarded for each coin inserted in the center coin slot (dollar coin). This is due to the \$1.50 setting of A.3 29 (Center Slot CREDIT VALUE). Note that the 1.00 setting of A.3 13 tells the game that each coin in the center slot adds \$1.00 to the total collection.

A.3 28 LEFT SLOT CREDIT VALUE

A.3 29 CENTER SLOT CREDIT VALUE

A.3 30 RIGHT SLOT CREDIT VALUE

A.3 31 4TH SLOT CREDIT VALUE

This adjustment specifies the value to be used for awarding credits. It is typically the same value as the corresponding A.3 12 (Left Slot Value) through A.3 15 (4th Slot Value) adjustment.

The A.3 12 through A.3 15 values are used to determine the auditing value of each coin (for collection totals) while the A.3 28 through A.3 31 value determine the coin value for awarding credits. By making this "Credit Value" adjustment higher than the A.3 12 through A.3 15 "Value" adjustment, a bonus may be given for a specific call (see Bonus for Special Coin section for more information).

Pricing Table

COUNTRY	COIN CHUTES				GAMES/COINS	DISPLAY	PRICING ADJUSTMENTS A3 02 03 04 05 06 07 08 09
	LEFT	CENTER	RIGHT	4 TH CHUTE			
USA	25c	\$1.00*	25c	\$1.00	1/50c, 2/75c, 3/\$1 ²	50c, 75c, \$1.00	
	25c	\$1.00*	25c	\$1.00	1/75c, 2/\$1.50, 3/\$2.00 ²	1/75, 3/2.00	
	25c	\$1.00	25c	\$1.00	1/3x25c ²	USA 1/\$0.75	
	25c	\$1.00	25c	\$1.00	1/50c, 2/\$1 ²	USA 2/\$1.00	
	25c	\$1.00	25c	\$1.00	1/50c, 3/\$1.00 ²	USA 3/\$1.00	
	25c	\$1.00	25c	\$1.00	1/2x25c, 2/\$1.00, 3/\$1.50, 6/\$2.00 ²	USA 6/\$2.00	
	25c	\$1.00	25c	\$1.00	1/2x25c, 2/\$1.00, 3/\$1.50, 5/\$2.00 ^{1,2}	USA 5/\$2.00	
	25c	\$1.00	25c	\$1.00	1/3x25c, 2/\$1.50, 4/\$2.00 ²	1/75, 4/\$2.00	
	25c	\$1.00	25c	\$1.00	1/2x25c, 2/\$1.00, 4/\$1.50, 6/\$2.00 ²	6/\$2.00 4/\$1.50	
	25c	25c	25c	-	1/4x25c, 6/\$5.00 ²	1/1, 6/5	
25c	25c	25c	-	1/4x25c ²	1/\$1.00		
Canada	25c	-	\$1.00	-	1/50c, 2/75c, 3/\$1 ²	CAN. 50-75-1	
	25c	-	\$1.00	-	1/50c, 2/\$1 ²	CAN. 2/\$1.00	
	25c	-	\$1.00	-	1/50c, 3/\$1.00 ²	CAN. 3/\$1.00	
	25c	-	\$1.00	-	1/2x25c, 2/4x25c, 3/\$1.00 ²	3/\$1.00 Coin	
	25c	-	\$1.00	-	1/2x25c, 2/\$1.00, 3/\$1.50, 6/\$2.00 ²	CAN. 6/\$2.00	
	25c	-	\$1.00	-	1/2x25c, 2/\$1.00, 3/\$1.50, 5/\$2.00 ^{1,2}	CAN. 5/\$2.00	
	25c	-	\$1.00	-	1/2x25c, 2/\$1.00, 4/\$1.50, 6/\$2.00 ²	6/\$2, 4/1.50	
	25c	-	\$1.00	-	1/3x25c, 2/\$1.50, 4/\$2.00 ²	1/75, 4/2.00	
	25c	-	\$1.00	-	1/75c, 2/\$1.50, 3/\$2.00 ²	1/75, 3/2.00	
	25c	-	\$1.00	-	1/3x25c ²	CAN. 1/\$0.75	
Canada 3/Dollar Coin	25c	-	\$1.00	-	1/0.50, 2/\$1.00, 3/\$1.00-Coin	CAN.\$ BONUS	
Austria	5sch	10sch	10sch	-	1/2x5sch, 3/2x10sch ²	AUSTRIA	
	5sch	-	10sch	-	12/5sch, 5/10sch	CUSTOM	02 00 05 00 01 00 01 00
Australia	20c	\$1	\$1	\$2	1/\$1, 3/\$2 ²	AUSTRALIA 1	
	20c	\$1	\$1	\$2	1/\$1, 2/\$2	AUSTRALIA 2	
U.K.	£1.00	50P	20P	10P	1/3x10P, 2/50P, 4/£1 ²	U. KINGDOM	
Switzerland	1Fr	2Fr	5Fr	-	1/1Fr, 3/2Fr, 7/5Fr ²	SWISS 1	
Swiss 2	1Fr	2Fr	5Fr	-	1/2Fr, 2/3Fr, 3/4Fr, 5/5Fr	SWISS 2	
Swiss 3	1Fr	2Fr	5Fr	-	1/1Fr, 5/5Fr	SWISS 3	
Swiss 4	1Fr	2Fr	5Fr	-	1/1Fr, 2/2Fr, 3/3Fr, 4/4Fr, 6/5Fr ¹	SWISS 4	
Swiss 5	1Fr	1Fr	1Fr	-	1/1Fr (all slots = 1Fr)	SWISS 5	
Belgium	5Fr	20Fr	50Fr	-	1/4x5Fr, 1/20Fr, 3/50Fr ²	BELGIUM	
	5Fr	20Fr	50Fr	-	1/20Fr, 3/60Fr, 3/50Fr-Coin	BELG. BONUS	
Germany	1DM	2DM	5DM	-	1/1DM, 2/2DM, 6/5DM ^{1,2}	GER. 6/5DM	
				-	1/2DM, 2/3DM, 3/4DM, 4/5DM ²	GER. 4/5DM	
				-	1/2DM, 2/3DM, 3/4DM, 5/5DM ²	GER. 1/2DM	
				-	1/1DM, 2/2DM, 5/5DM ²	GER. 1/1DM	
Holland	1G	-	1G	-	1/1G ²	HOLLAND	
Sweden	1Kr	5Kr	10Kr	1Kr	1/10Kr, 2/15Kr, 3/20Kr ^{1,2}	SWEDEN 1	
	1Kr	5Kr	10Kr	1Kr	1/5Kr ²	SWEDEN 2	
France	1Fr	5Fr	10Fr	20Fr	1/3x1Fr, 2/5Fr, 5/10Fr, 10/20Fr ^{2,3}	TARIFF 1	
	1Fr	5Fr	10Fr	20Fr	1/2x1Fr, 3/5Fr, 7/10Fr, 14/20Fr ^{2,3}	TARIFF 2	
	1Fr	5Fr	10Fr	20Fr	1/5Fr, 3/10Fr, 7/2x10Fr, 7/20Fr ^{2,3}	TARIFF 3	
	1Fr	5Fr	10Fr	20Fr	2/5Fr, 4/10Fr, 9/2x10Fr, 9/20Fr ^{2,3}	TARIFF 4	
	1Fr	5Fr	10Fr	20Fr	2/5Fr, 5/10Fr, 11/2x10Fr, 11/20Fr ^{2,3}	TARIFF 5	
	1Fr	5Fr	10Fr	20Fr	1/5Fr, 3/10Fr, 6/20Fr ^{2,3}	TARIFF 6	
Italy	500L	500L	500L	-	1/500L ²	ITALY 1	
	500L	500L	500L	-	1/2x500L, 3/4x500L ^{1,2}	ITALY 2	
	500L	500L	500L	-	1/2x500L, 2/4x500L ²	ITALY 3	
Spain	100P	-	500P	-	1/100P, 6/500P ²	SPAIN	
	25P	-	100P	-	1/25P, 5/100P	CUSTOM	01 00 04 00 01 04 01 00
	25P	-	100P	-	1/25P, 4/100P	CUSTOM	01 00 04 00 01 00 01 00
	25P	-	100P	-	1/2x25P, 2/100P	CUSTOM	01 00 04 00 02 00 01 00
	25P	-	100P	-	1/2x25P, 3/100P	CUSTOM	03 00 12 00 04 00 01 06
Japan	100¥	-	100¥	-	1/100¥ ²	JAPAN	
Chile	Token	-	Token	-	1/1Token ²	CHILE	
Denmark	1Kr	5Kr	10Kr	20Kr	1/2x1 Kr, 3/5 Kr, 7/10 Kr ²	DENMARK 1	
	1Kr	5Kr	10Kr	20Kr	1/5 Kr, 3/10 Kr, 6/20 Kr ^{1,2}	DENMARK 2	
Finland	1Mka	-	5Mka	-	1/2x1Mka, 3/5Mka ²	FINLAND 1	
	1Mka	-	5Mka	-	1/3x1Mka, 2/5Mka ²	FINLAND 2	
New Zealand	\$1.00	-	\$2.00	-	1/\$1, 3/\$2 ²	NEW ZEALAND 1	
	\$2.00	-	\$1.00	-	1/\$1, 3/\$2, (\$2-\$1 door)	NEW ZEALAND 2	
Norway	5Kr	-	10Kr	-	1/5Kr, 2/10Kr, 5/20Kr ²	NORWAY	
Argentina	10c	10c	10c	-	1/1 Token ²	ARGENTINA	
Greece	10D	20D	50D	-	1/2x10D, 1/20D, 3/50D	GREECE	
Antilles	25c	25c	1G	-	1/25c, 4/1G	ANTILLES	
Netherlands	1HFI	2.5HFI	2.5HFI	-	1/1Hfi, 3/2.5Hfi	NETHERLANDS	
Netherlands 2	1HFI	2.5HFI	2.5HFI	-	1/1HFI, 3/3HFI, 3/2.5HFI-Coin	NETH. BONUS	
Hungary	20 Old	20 New	50F	-	1/40F, 2/60F, 4/100F	HUNGARY	

1. Factory Default. 2. Standard Setting - Change by pressing Enter button. 3. Other functions are also affected. * Only if Bill Acceptor and Center Chute are available.

A.4 HIGH SCORE TO DATE (H.S.T.D.) ADJUSTMENTS

A.4 01 HIGHEST SCORES

The game maintains a record of the four highest scores achieved to date.

OFF - No high scores are recorded, or displayed.

ON - The four highest scores are stored in memory and displayed in Attract Mode.

A.4 02 H.S.T.D. AWARD

This is the award given for achieving the High Score to Date or the Champion High Score to Date. Credit or Ticket

A.4 03 CHAMPION H.S.T.D.

The "Highest" High Score can be displayed in the Attract Mode. This score is not cleared when "High Score Reset Every" occurs.

ON - The "Highest" High Score is retained in memory and displayed.

OFF - The "Highest" High Score is not retained.

A.4 04 CHAMPION CREDITS

The number of credits or tickets awarded for a Grand Champion Score.

Range: 00 to 10.

A.4 05 H.S.T.D. 1 CREDITS

A.4 06 H.S.T.D. 2 CREDITS

A.4 07 H.S.T.D. 3 CREDITS

A.4 08 H.S.T.D. 4 CREDITS

The number of credits or tickets awarded whenever a player exceeds the four highest scores.

Range: 00 to 10.

A.4 09 HIGH SCORE RESET EVERY

The number of games to be played before an automatic reset of the displayed Highest Score occurs. The operator selects the values provided at reset in the Back-up High Scores.

Range: OFF (disabled), 250 to 20,000.

A.4 10 BACKUP CHAMPION

The Back-up Grand Champion Score.

Range: 00 to 120,000,000

A.4 11 BACKUP H.S.T.D. 1

A.4 12 BACKUP H.S.T.D. 2

A.4 13 BACKUP H.S.T.D. 3

A.4 14 BACKUP H.S.T.D. 4

The first through fourth Back-up High Score values. The game automatically restores this value when the "High Score Reset Every" value is reached.

Range: 00 to 120,000,000

A.5 PRINTER ADJUSTMENTS (optional board required)

A.5 01 COLUMN WIDTH

The column width to be printed. Range: 22 to 80.

A.5 02 LINES PER PAGE

This is the amount of lines per page. Range: 20 to 80.

A.5 03 PAUSE EVERY PAGE

Choose whether the printer pauses at the end of a page.

- YES - The printer does pause.
- NO - The printer doesn't pause.

A.5 04 PRINTER TYPE

Select the type of printer: Parallel, Serial, ADP, Mini-Drucker, or NSM.

A.5 05 SERIAL BAUD RATE

Select which baud rate to use for serial or ADP communications (bit rate): 300, 600, 1200, 2400, 4800, or 9600.

A.5 06 SERIAL D.T.R. (DATA TERMINAL READY)

When a serial printer is used, this line may be connected to a printer output line signaling that the printer is busy.

- NORMAL - Normal D.T.R. signal goes low to indicate the printer is not ready.
- INVERTED - Inverted D.T.R. (busy) signal goes high to indicate the printer is not ready.
- IGNORE - D.T.R. signal is ignored.

A.5 07 AUTO PRINTOUT

With the optional printer board installed, this adjustment allows the initiation of printouts whenever the game detects a printer connected to the game. Parallel printers are detected automatically by plugging them in and putting them on-line. Serial printers (or computers) are detected by sending a carriage return (ASCII 0x0D) or XON (ASCII 0x11).

This adjustment has the following settings:

OFF	Disable automatic printouts
MAIN AUDITS	Main Audit Table (B.1)
EARNINGS	Earning Audits (B.2)
STD. AUDITS	Standard Audits (B.3)
FEATURES	Feature Audits (B.4)
HISTOGRAMS	Histograms (B.5)
TIMESTAMPS	Time Stamps (B.6)
ALL DATA	All of the above data

The table specified above will automatically be printed when a printer (or computer) is detected.

If the printer is detected during game over or test mode, the printout will be taken right away.

If the printer is connected while a game is being played, it will take up to 10 seconds to be detected, after which the printout will occur. The game will resume after the printout is complete.

Automatic printouts will only take place if the coin door is open.

After an automatic printout has been generated, a 2nd automatic printout will not be possible until a new game has started, or test mode begins.

ERROR MESSAGES

The WPC-95 game program has the capability to aid the operator and service personnel. At game turn-on, or after pressing the Begin Test switch, once the game has been operating for an extended period, the display may signal with a message, "Press ENTER for Test Report". This indicates the game program has detected a possible problem with the game.

NO GOOD GOFERS features a new coin door display. When the coin door is open (in Attract mode and game play), the display shows that the high-power has been disabled. It also shows the Test Report (if there is anything to report), and some game specific information. Use the flipper buttons to page through this information.

To obtain details of the problem open the coin door and press the Begin Test switch. Press the Enter button to begin displaying the message(s). The following messages apply to your game.

Error Messages for the Gofer mechanisms.

Check Coil #XX

A coil used to raise or lower the gofer and/or ramp is believed to be faulty.

Opto Failure

The software cannot read the Gofer Down opto switch associated with this mechanism.

Ramp Sw Failure

The software cannot read the Ramp Down microswitch associated with this mechanism.

Warning Gofer Disabled

The Gofer may not be operating in game play because it was disabled in the A2.12 or A2.13 adjustment(s).

Error Messages for the Wheel mechanism.

Motor Wires Reversed

The software has determined that the wires to the wheel motor or the wires that transmit the drive signal to the Motor board have been connected incorrectly. Reverse the orientation of the wheel motor's power wires and try this test again.

Tracking Failure

The software cannot read the Wheel Inner Spin and Wheel Outer Spin optos. Check the 12-volt power supply to the Wheel Opto board, and check the individual switches using the T.1 Switch Test.

Warning Motor Disabled

The wheel may not be operating in game play because the Motor Disabled (A2.08) adjustment has been set to YES.

General Error Messages.

Check Switch ##

This message indicates that at least one switch was stuck 'On' at game turn-on or has NOT been actuated during ball play (for 90 balls or apx. 30 games). The game program compensates the game play requirements affected by each disabled switch to allow 'nearly normal' play. This helps keep your game earning, until the service technician can repair the problem. To verify the problem, refer to the Test Menu text describing Switch Testing, and check each reported switch using applicable switch tests. Always check switch operation using a ball, to simulate game conditions. Switch problems may often be resolved by adjusting the wire switch actuators, fixing switch circuitry problems, securing loose connectors, etc. Mechanisms using 'opto switches' (drop targets, etc.) need to be checked for proper power connections (+12V dc and ground).

Check Fuses F115 and F116 and Opto 12V Supply

This message will be displayed if the game senses that all optical switches are not functioning. This usually occurs when there is no +12V supply to the playfield optics.

The problem is likely to be a blown fuse (F109), or at connectors J138, J139, J140 or J141 on the power driver board.

Opto Trough Bad Check Connectors, Wires and 12V Supply

This message will be displayed if all of the opto switches in the playfield ball trough are not functioning. This is usually caused by a problem with a ball trough connector supplying +12V and ground for the optical circuits.

Pinball Missing

This game normally uses four balls, however, it will operate with less. This message announces that a ball is missing or stuck. When the ball is located, return it to the game via the Outhole. Other possibilities for this problem could be malfunctions of the Ball Trough switches or the Ball Shooter switch.

XXXX Sw. Is Stuck On

This message indicates that a switch, which is not usually On, remains in the On position after the game is switched On. The stuck switch is essential for game play (for example, a coin chute switch, the slam tilt switch, and the plumb bob tilt switch), and should be cleared to permit proper game operation.

Ground Short Row - N, Wht - XXX

This message indicates that the switch wires being called out are touching a grounded part on the playfield or coin door. The following should be checked:

1. Slam tilt (or other coin door switch) touching the grounded coin door.
2. A leaf-type, playfield switch touching a grounded part.
3. Players poking metallic objects (wires, coat hangers, etc.) into the game.
4. Switch cable insulation pierced or damaged allowing bare wire contact with a grounded part.
5. All switches in a row closing at the same time. **Note:** This is NOT a switch problem; however, for most games it is a very rare possibility.

G10 Error

The security chip is incorrect or faulty. If this occurs, replace the security chip.

G11 Checksum Error

The game ROM checksum is invalid. If this occurs replace the game ROM.

Time and Date Not Set.

The real time clock is not set. Go to U.4 of the Utilities Menu and set the time and date.

Factory Settings Restored.

This message indicates that the CMOS RAM (U8) no longer retains any custom Pricing or Game Adjustment settings and has reverted to factory default settings. Generally, the following CPU checks will isolate the cause of the CMOS RAM memory failure. The voltages at pin 28 and pin 26 of U8 should be +5V (game turned On) and at least +4V (game turned Off). When the voltage drops below +4V, memory reset occurs. Check the batteries and battery holder. Be sure that the batteries are good and that there is no contamination on the battery holder terminals. Turn the game OFF, and use an ohmmeter to check diodes D1 and D2 on the CPU Board. D1 should read 0 ohms when forward-biased and infinite ohms when reverse-biased. D2 should read 15 ohms when forward-biased and infinite ohms when reverse-biased. (Readings taken with an analog meter.) This message can also indicate that there is an open diode on a 50V coil circuit and noise is entering the circuit.

CPU and Audio Visual Board Error Codes

The CPU has three LED's, 201, 202, and 203. At game turn-on LED 201 and LED 202 are on, LED 203 is off. During normal operation LED 201 is off, LED 202 is on, and LED 203 is flashing. If the system detects an error the following happens:

CPU board error codes

Center LED blinks once	= G11 ROM Failure
Center LED blinks twice	= U8 RAM Failure
Center LED blinks three times	= G10 Security Chip Failure

The Audio Visual board produces one beep upon game turn on if the board is operating properly. If the system detects an error the following happens:

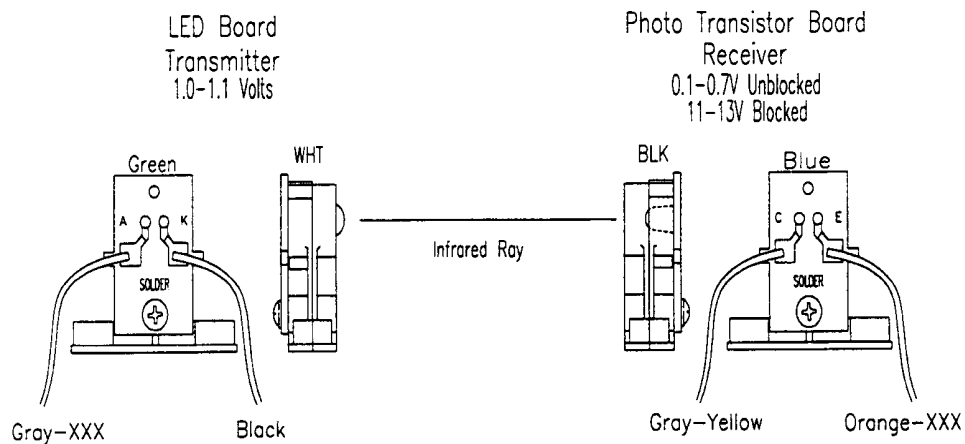
Audio Visual board error codes

1 Beep	= Audio Visual Board is O.K.
2 Beeps	= S2 Failure
3 Beeps	= S3 Failure
4 Beeps	= S4 Failure
5 Beeps	= S5 Failure
6 Beeps	= S6 Failure
7 Beeps	= S7 Failure
10 Beeps	= Audio Static RAM Failure

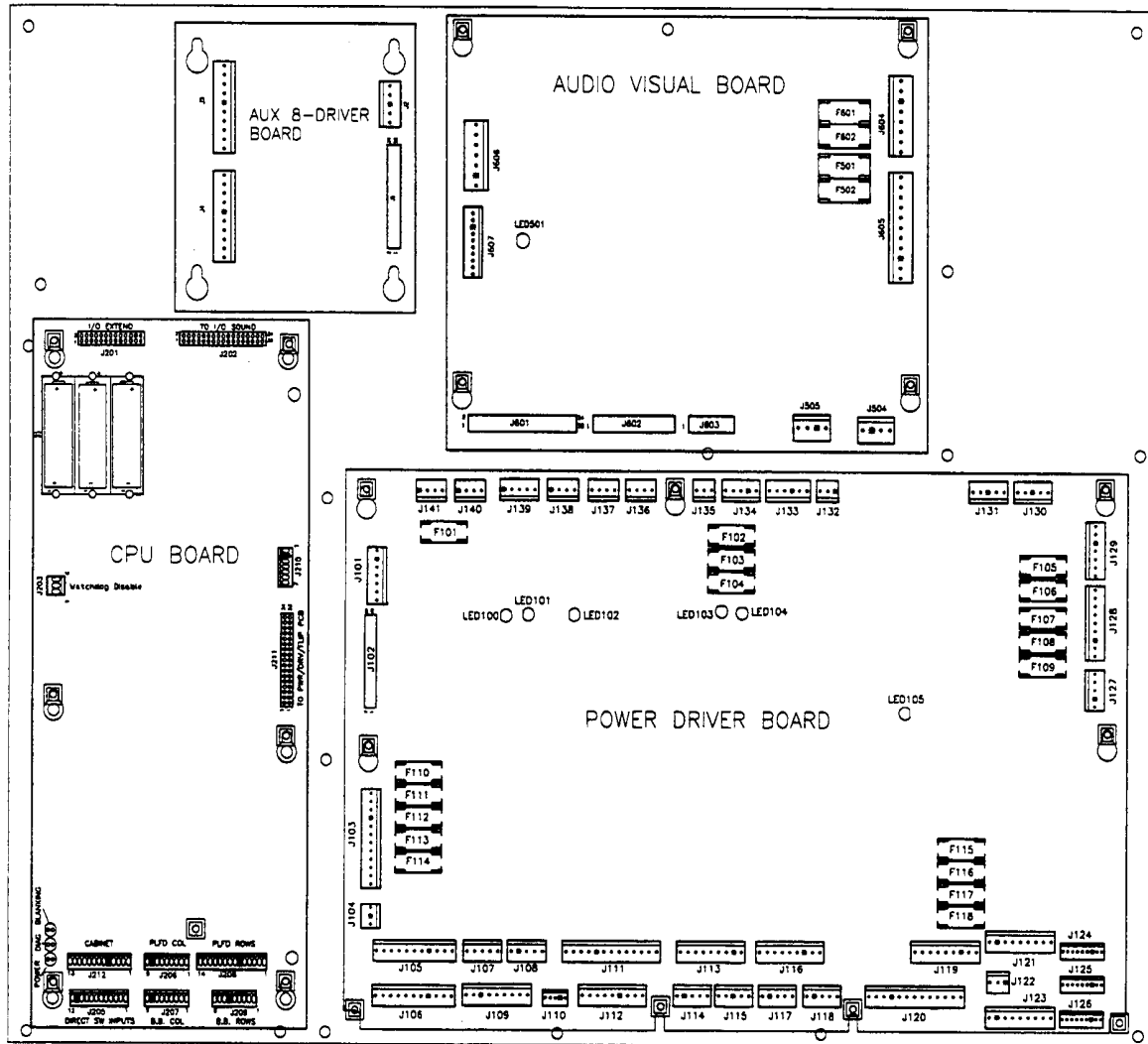
Opto Theory

The opto receiver (Photo Transistor) should be approximately 0.1 - 0.7 volts when the opto beam is unblocked and approximately 11 - 13 volts when the opto beam is blocked. The opto transmitter (LED) should always be approximately 1.4 volts.

Note: The transmitter (LED) is larger than the receiver (Photo Transistor); it protrudes further from its case.



LED LIST



CPU BOARD

- LED 201 Blanking
- LED 202 Power
- LED 203 Diagnostics

At game turn-on, LED 201 and LED 202 are on, LED 203 is off. During normal operation LED 201 is off, LED 202 is on, and LED 203 is flashing.

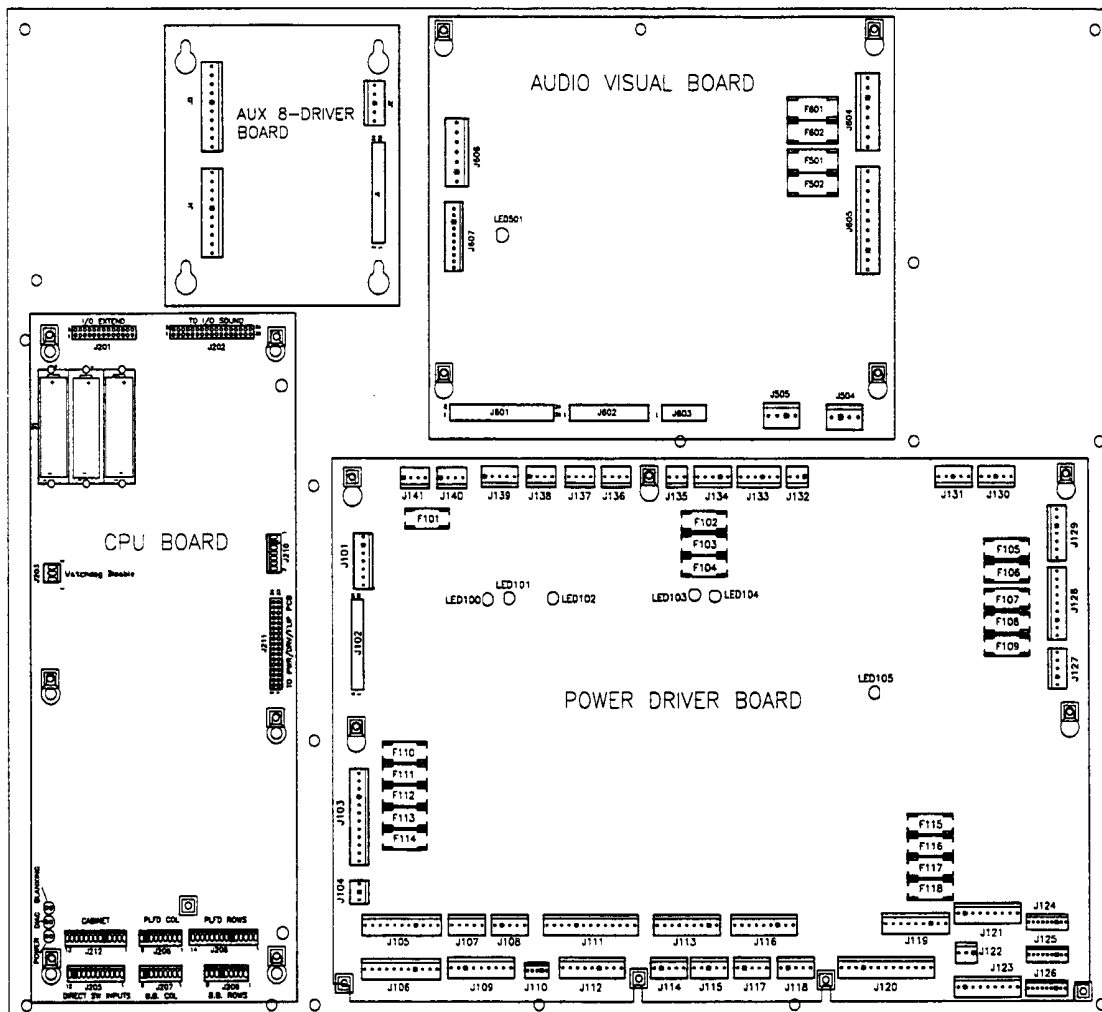
AUDIO VISUAL BOARD

- LED 501 +5VDC, Normally flashing, but at a slower rate than LED 203.

POWER DRIVER BOARD

- LED 100 +12VDC Regulated, Normally On
- LED 101 +5VDC Digital, Normally On
- LED 102 +18VDC Lamps, Normally On
- LED 103 +12VDC Unregulated, Normally On
- LED 104 +20VDC Flashlamps, Normally On
- LED 105 +50VDC Coils, Normally On

FUSE LIST



AUDIO VIDEO BOARD

Loc.	Description	Part Number	Value
F501	-25V	5731-14532-00	T2.5A, 250V
F502	+25V	5731-14532-00	T2.5A, 250V
F601	+62V	5731-14840-00	T0.315A, 250V
F602	-113V & -125V	5731-14840-00	T0.315A, 250V

CPU BOARD

There are no fuses on the CPU board.

POWER DRIVER BOARD

Loc.	Description	Part Number	Value	Loc.	Description	Part Number	Value
F101	Regulated 12V	5731-14531-00	T0.63A, 250V	F110	G.I. #5 WHT-VIO	5731-14530-00	T4.0A, 250V
F102	Solenoid #25 to #28	5731-14530-00	T4.0A, 250V	F111	G.I. #4 WHT-GRN	5731-14530-00	T4.0A, 250V
F103	Solenoid #1-#8	5731-14530-00	T4.0A, 250V	F112	G.I. #3 WHT-YEL	5731-14530-00	T4.0A, 250V
F104	Solenoid #9 to #16	5731-14530-00	T4.0A, 250V	F113	G.I. #2 WHT-ORG	5731-14530-00	T4.0A, 250V
F105	+5V Logic	5731-14530-00	T4.0A, 250V	F114	G.I. #1 WHT-BRN	5731-14530-00	T4.0A, 250V
F106	+18V Lamp Matrix	5731-14046-00	T5.0A, 250V	F115	+50V Flippers	5731-14530-00	T4.0A, 250V
F107	Flasher Secondary	5731-14530-00	T4.0A, 250V	F116	+50V Flippers	5731-14530-00	T4.0A, 250V
F108	Solenoid Secondary	5731-14529-00	T6.3A, 250	F117	+50V Flippers	5731-14530-00	T4.0A, 250V
F109	Unregulated 12V	5731-14530-00	T4.0A, 250V	F118	+50V Flippers	5731-14530-00	T4.0A, 250V

LINE FILTER

Loc.	Part Number	Value
Foreign	5731-14530-00	T4.0A, 250V
Domestic	5731-14046-00	T5.0A, 250V

MAINTENANCE INFORMATION

LUBRICATION

The two main lubrication points of the Ball Release mechanism are the pivots for the arm. The mechanisms of other playfield devices are somewhat similar to the Ball Release device, and have the same lubrication requirements. A medium viscosity oil (switch target grease) is satisfactory for these devices.

Because of the functional design (arm-actuated via solenoid plunger operation), the pivot points of the Left and Right Kickers ("Slingshots") all require lubrication as a regular servicing procedure.

Lubrication to ensure proper operation also applies to the target blades of the Drop Targets. MBI Instrument Grease, also known as Drop Target Switch Lubricant, with a Williams' part number of EI165, is a recommended lubricant.

SWITCH CONTACTS

Playfield Switches

For proper game operation, switch contacts should be free of dust, dirt, contamination, and corrosion. Blade switch contacts are plated to resist corrosion. Cleaning blade switch contacts requires gentle closing of the contacts on a clean business card or piece of paper, and then pulling the paper about 2 inches, which should restore the clean contact surface. Adjust the switch contacts to a 1/16-inch gap.

Flipper Switches

This game uses the new Fliptronic II Electronic Flipper System. The End-of-Stroke switches are NORMALLY OPEN. The switch should close when the flipper is energized. All E.O.S. switches are gold flashed computer grade leaf switches. Only low computer current is carried through these switches. DO NOT FILE or abrasively clean these switches! DO NOT REPLACE these switches with the tungsten high current switches, as intermittent operation could occur.

Note: Unlike the old style of flipper, an E.O.S. switch failure does not harm the flipper. The game notifies the operator that the switch is misadjusted in the test report, but continues to play. The E.O.S. switches are a means by which the new electronic flippers feel and play with all of the subtleties of the old flippers.

CLEANING

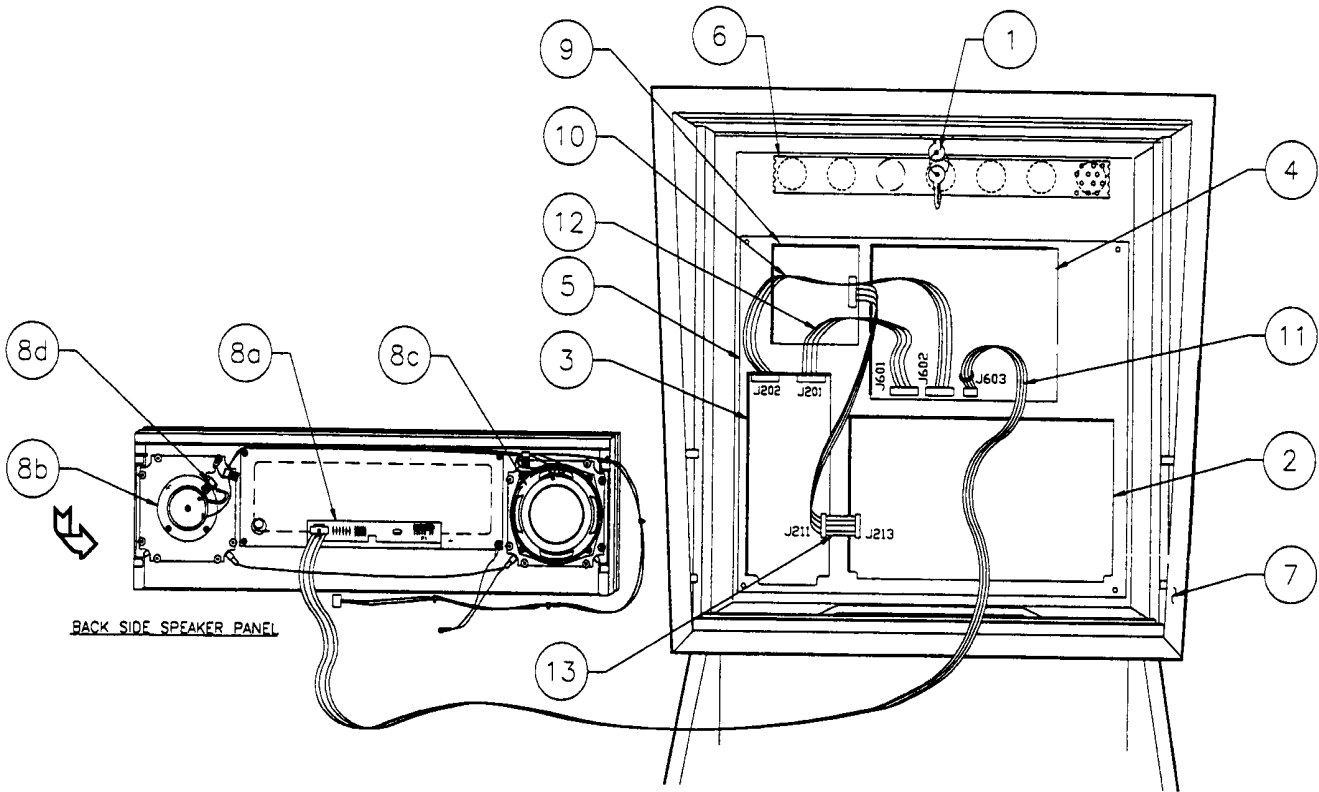
Good game action and extended playfield life are the results of regular playfield cleaning. During each collection stop, the playfield glass should be removed and thoroughly cleaned and the playfield should be wiped off with a clean, lint-free cloth. The game balls should be cleaned and inspected for any chips, nicks, or pits. Replace any damaged balls to prevent playfield damage.

Regular, more extensive, playfield cleaning is recommended. However, avoid excessive use of water and caustic or abrasive cleaners because they tend to damage the playfield surface. Playfield wax (or any carnauba based wax), or polish may be used sparingly, to prevent a buildup on the playfield surface. Do not use cleaners containing petroleum distillates on any playfield plastics because they may dissolve the plastic material or damage the artwork.

SECTION TWO

PARTS INFORMATION

50061-BB Backbox Assembly



Item	Part Number	Description
1	A-21998	Lock & Plate Assembly
a)	20-9637	Lock & Cam Kit
2	A-20028	WPC '95 Power Driver PCB
3	A-21377-50061	WPC '95 CPU PCB Assy.
4	A-20516-50061	WPC '95 Audio Visual PCB Assy.
5	A-14092-7	Mounting Plate Assembly
6	01-6645	Vent Screen
7	04-10992	Wood Backbox & Decal Assembly
8	A-21559	Speaker/Display Assembly
a)	5901-12784-00	Dot Matrix Display Comp.
b)	5555-12924-00	Speaker Tweeter, 4Ω, 15w
c)	5555-12856-00	Speaker 5-1/4", 4Ω, 25w
d)	5045-12914-00	Capacitor, 10mfd, 50v, ±20%
9	A-21773	Aux. 8 Drive PCB Assembly

Miscellaneous Parts: (Not Shown)

Part Number	Description
01-8397	Bracket Trunk Latch
02-5223	Button Speaker Panel (4)

Cables:

H-20477	Logic Power Cable
H-20478-1	Secondary Cable
H-20479	Dot Matrix Power Cable
H-22208-2.1	Backbox Insert Cable

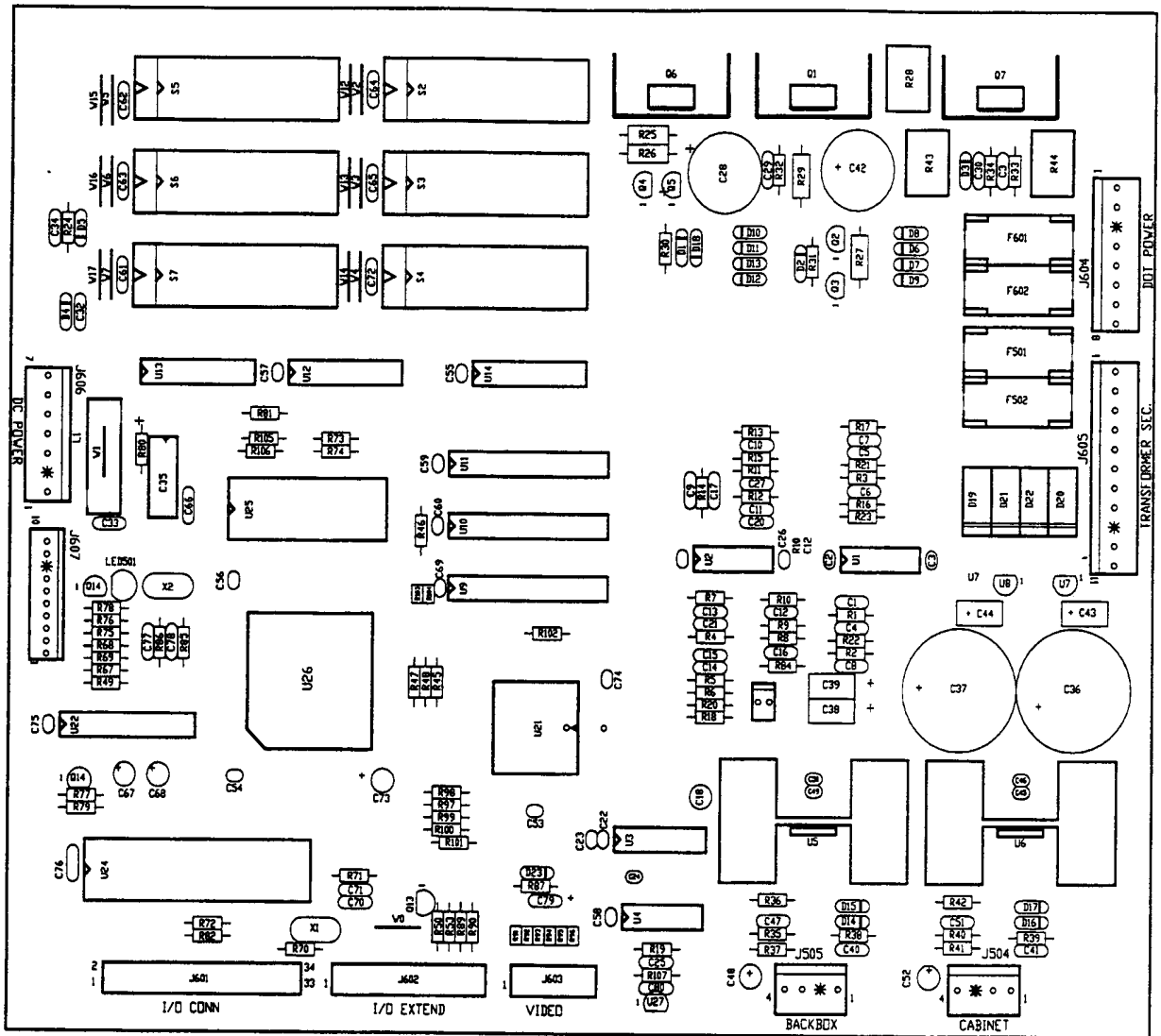
Ribbon Cables:

10	5795-10938-19	Ribbon Cable 26-Pin, 19"
11	5795-13434-25	Ribbon Cable w/Ferrite
12	5795-12653-15	Ribbon Cable 34-Pin, 15"
13	5795-15420-00	Ribbon Cable 34-Pin, 3"

A-20516-50061 WPC '95 Audio Visual PCB Assembly

Part Number	Designator	Description	Part Number	Designator	Description
4004-01005-06	-	Mach. Screw, 4-40 x 3/8"	5048-13418-00	C4 - C6	Cap., .047m, 50v, 5% Ax.
4404-01119-00	-	Nut 4-40 ESN	5048-13609-00	C9, C12, C15	Cap., 3900pf, 50v, 5% Ax.
5010-08774-00	R2, R17, R22, R23, R35, R36, R40, R42, R87	Resistor, 22K Ω , 1/4w, 5%	5048-13610-00	C8, C10, C11, C13, C14	Cap., 1000pf, 50v, 5% Ax.
5010-08991-00	R20, R46-R48, R50, R72, R76, R77, R81, R107	Resistor, 4.7K Ω , 1/4w, 5%	5048-13611-00	C16, C17, C20, C21	Cap., 680pf, 50v, 5% Ax.
5010-09034-00	R21	Resistor, 10K Ω , 1/4w, 5%	5048-14563-00	C29-C31, C81, C82	Cap., .01 μ f, 200v, 10% Axial
5010-09036-00	R19	Resistor, 100 Ω , 1/4w, 5%	5070-09045-00	D19-D22	Diode MR501, 3.0A
5010-09134-00	R32-R34	Resistor, 150K Ω , 1/4w, 5%	5070-09054-00	D4, D6-D17, D23	Diode 1N4004, 1.0A
5010-09219-00	R1, R3	Resistor, 8.2K Ω , 1/4w, 5%	5075-12823-00	D1, D18	Zener, 1N4758A 56v, 1w
5010-09416-00	R73, R74, R82, R88, R105, R106	Resistor, 470 Ω , 1/4w, 5%	5075-12824-00	D3, D5	Zener, 1N4742A 12v, 1w
5010-09807-00	R30, R31, R67-R69, R102	Resistor, 120 Ω , 1/4w, 5%	5075-12826-00	D2	Zener, 1N4759, 62v, 1w
5010-10171-00	R24	Resistor, 56 Ω , 1/4w, 5%	5160-08938-00	Q13-Q15	Transistor, 2N4401 NPN
5010-10258-00	R86	Resistor, 1M Ω , 1/4w, 5%	5164-09056-00	Q2, Q3	Transistor, MPSD02 NPN
5010-10983-00	R53, R75, R79, R84, R85, R89, R90	Resistor, 1.8K Ω , 1/4w, 5%	5164-12154-00	Q1, Q7	Transistor, MJE15030 NPN
5010-12832-00	R25, R26, R27, R29	Resistor, 47K Ω , 1/4w, 5%	5194-09055-00	Q4, Q5	Transistor, MPSD52 PNP
5010-13215-00	R78, R97-R101	Resistor, 200K Ω , 1/4w, 5%	5194-12155-00	Q6	Transistor, MJE15031 PNP
5010-13372-00	R91-R96, R103, R104	Resistor, 220 Ω , 1/8w, 5%	5250-13302-00	U7	Reg. 78L05T 5v
5010-13420-00	R37, R41	Resistor, 680 Ω , 1/4w, 5%	5250-13303-00	U8	Reg. 79L05T 5v
5010-13517-00	R38, R39	Resistor, 15 Ω , 1/4w, 5%	5311-12538-00	U4	IC 74HC14 Hex. S-T
5010-13607-00	R4, R5, R7-R15	Resistor, 6.19K Ω , 1/8w, 1%	5317-12211-00	U12-U14	IC Octal Buffer 74ALS541
5012-14558-00	R44	Resistor, 1.8K Ω , 5w vertical	5340-12278-00	U25	S/Ram 2064 150NS
5012-14559-00	R43	Resistor, 4.7K Ω , 5w vertical	5370-12687-00	U27	IC MC 340640Reset Chp
5012-14560-00	R28	Resistor, 120 Ω , 5w vertical	5349-15440-00	U9-U11	SRAM 8Kx8-35ms, 28pdp
5013-13661-00	R16	Resistor, 9.09K Ω , 1/4w, 1%	5370-12730-00	U1, U2	IC Op Amp TL084
5013-14456-00	R6, R18	Resistor, 3.32K Ω , 1/4w, 1%	5370-13419-00	U5, U6	IC TDA 2030AV 18w, Audio Arr
5040-14569-00	C35	Cap., 100mf, 25v, Axial	5371-13299-00	U3	IC Ad-1851 16bit mono
5040-09365-00	C38, C39, C43, C44	Cap., 1m, 63v(+50,-10%)Ax.	5520-14561-00	X2	Crystal 20mHz, parallel 20pf
5040-12750-00	C48, C52, C73	Cap., 22m, 35v Radial	5671-14516-00	LED 501	Led-Display Red T 1-3/4
5040-13098-00	C18, C67, C68	Cap., 4.7 μ , 35v (\pm 20%)	5700-08985-00	U24	Socket IC 40-pin .6
5040-15413-00	C36, C37	Cap., 10000 μ f, 35v, 25mm	5700-12047-00	U22	Socket IC 24.3P
5040-14564-00	C28, C42	Cap., 150 μ f, 160v, 20%Rad.	5700-12088-00	S2-S7	Socket Dip 32.6P"
5043-08996-00	C2, C3, C19, C22- C24, C26, C32, C34, C45, C46, C49, C50, C53-C66, C69, C72, C74-C76, C79, C80	Cap., 0.1 μ f, 50v (\pm 20%) Ax.	5705-12638-00	U5, U6	Heatsink 5298B
5048-10992-00	C27	Cap., .0047m, 50v, 10% Ax.	5705-14562-00	Q1, Q6, Q7	Heatsink 10-220 wave sol 287
5048-11028-00	C77	Cap., 22p, 50v, Axial	5733-14528-00	F501, F502, F601, F602	Fuse Holder 5x20mm 10A.
5048-11029-00	C25	Cap., 100p, 50v, 5% Axial	5731-14532-00	F501, F502	Fuse 5x20mm T2.5A., 250V
5048-11030-00	C7	Cap., 470p, 50v, Axial	5731-14840-00	F601, F602	Fuse 5x20mm T0.315A., 250V
5048-11033-00	C1	Cap., .022m, 50v, 10% Ax.	5791-10850-00	J602	Connector, 26-pin Header Str.
5048-12036-00	C40, C41	Cap., .22m, 50v, Axial	5791-10862-04	J504, J505	Connector, 4-pin Header Str.
5048-13172-00	C78	Cap., 47pf, 50v, 20% Ax.	5791-10862-07	J606	Connector, 7-pin Header Str.
			5791-10862-08	J604	Connector, 8-pin Header Str.
			5791-10862-11	J605	Connector, 11-pin Header Str.
			5791-12516-00	J601	Connector, 34 hdr 2 x 17 .100
			5791-12827-00	J603	Connector, 14 Hen 7x2 Str.
			5791-13830-10	J607	Connector, 10-pin Str. Sq.
			5010-09534-00	W0, W1, W12-W17, R49	Resistor, 0 Ω , 0w
			A-5343-50061-S2	S2	ROM Assembly
			A-5343-50061-S3	S3	ROM Assembly
			A-5343-50061-S4	S4	ROM Assembly
			A-5343-50061-S5	S5	ROM Assembly
			A-5343-50061-S6	S6	ROM Assembly

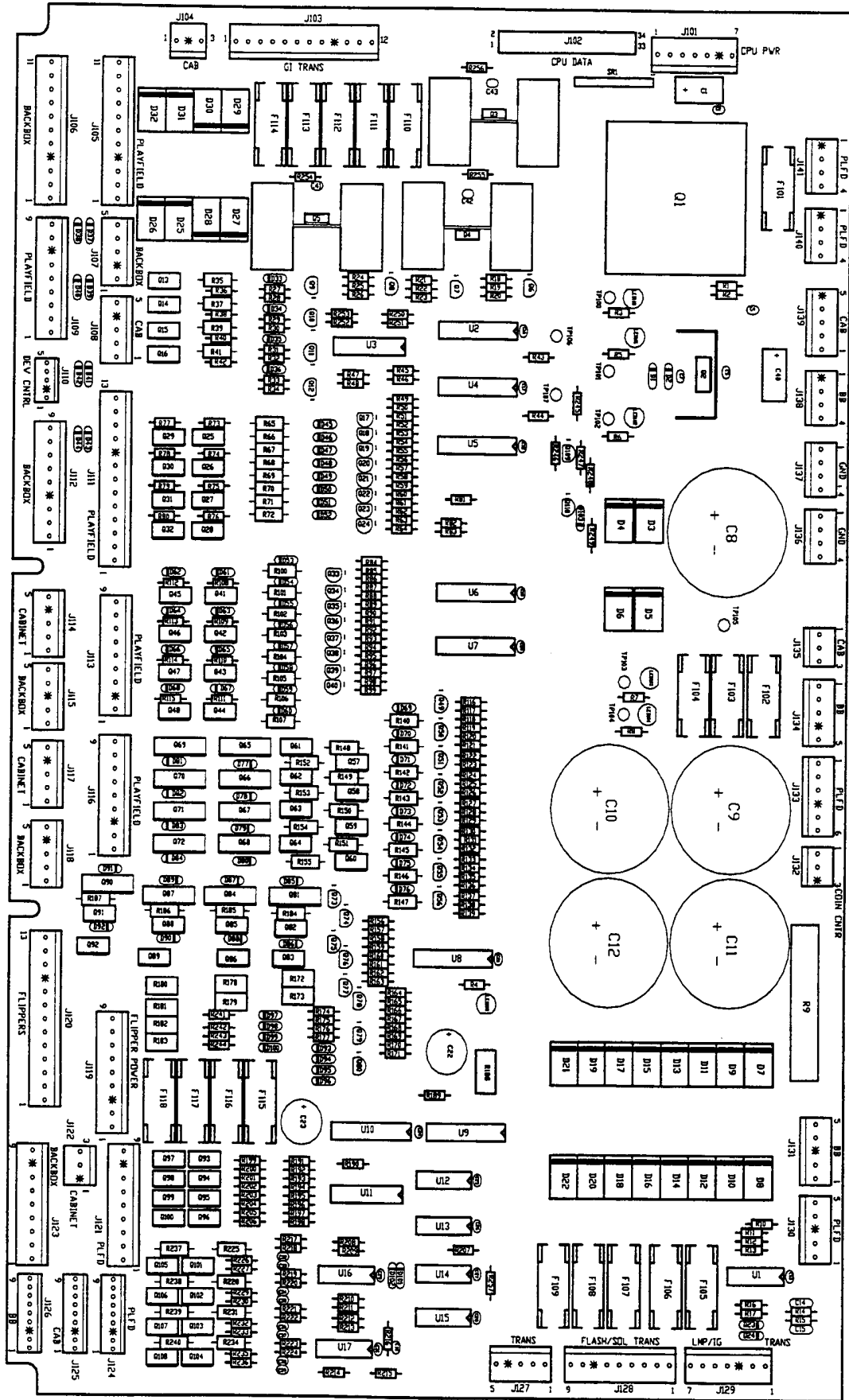
A-20516-50061 WPC '95 Audio Visual PCB Assembly



A-20028 WPC '95 Power Driver PCB Assembly

Part Number	Designator	Description	Part Number	Designator	Description
5040-14569-00	C1, C40	Capacitor, 100µF, 25v, Ax.	5010-09999-00	R3, R4, R6-R8, R43, R44, R81-R83, R190	Resistor, 2KΩ, 1/4w, 5%
5043-08996-00	C2, C4, C5, C7, C13, C16-C21, C24-C39, C41-C43	Capacitor, 0.1m, 50v (±20%) Ax.	5012-12632-00	R9	Resistor, .12Ω, 10w, 5%
5040-13417-00	C8 - C12	Capacitor, 10000µf, 35v Radial	5010-09324-00	R10	Resistor, 27KΩ, 1/4w, 5%
5048-11031-00	C14, C15	Capacitor, .001m, 50v, 10% Ax.	5010-09358-00	R11, R157, R159, R161, R163, R165, R167, R169, R171, R216-R224	Resistor, 1KΩ, 1/4w, 5%
5040-09537-00	C22, C23	Capacitor, 100µ, 100v (±20%) Radial	5010-09036-00	R247	Resistor, 100Ω, 1/4w, 5%
5070-09054-00	D1, D2, D23, D24, D33 - D100, D103	Diode 1N4004 1.0A.	5010-09034-00	R12, R13, R189, R208-R215, R248	Resistor, 10KΩ, 1/4w, 5%
5070-14526-00	D3-D22	Diode P600G 6A 400 PIV	5010-08992-00	R18, R21, R24, R192, R194, R196, R198, R200, R202, R204, R206	Resistor, 560Ω, 1/4w, 5%
5070-08919-00	D101, D102	Diode, 1N4148 150mA.	5010-08991-00	R19, R22, R25, R28, R30, R32, R34, R50, R52, R54, R56, R58, R60, R62, R64, R84, R86, R88, R90, R92, R94, R96, R98, R116, R119, R122, R125, R128, R131, R134, R137, R246	Resistor, 4.7KΩ, 1/4w, 5%
5731-14531-00	F101	Fuse 5 x 20mm T.63A., 250V	5010-11079-00	R20, R23, R26, R254-R256	Resistor, 51Ω, 1/4w, 5%
5731-14530-00	F102-F105, F107, F109-F118	Fuse 5 x 20mm T 4A, 250V	5010-09416-00	R27, R29, R31, R33, R45-R49, R51, R53, R55, R57, R59, R61, R63, R85, R87, R89, R91, R93, R95, R97, R99, R117, R120, R123, R126, R129, R132, R135, R138, R156, R158, R160, R162, R164, R166, R168, R170, R245, R250-R253, R257	Resistor, 470Ω, 1/4w, 5%
5731-14046-00	F106	Fuse, 5x20mm T5.0A, 250V	5010-08993-00	R35, R37, R39, R41, R65-R72, R100-R107, R140-R147	Resistor, 68Ω, 1/4w, 5%
5731-14529-00	F108	Fuse 5 x 20mm T6.3A, 250V	5010-08997-00	R36, R38, R40, R42, R73-R80, R108, R109, R110-R115, R118, R121, R124, R127, R130, R133, R136, R139	Resistor, 2.7kΩ, 1/4w, 5%
5733-14528-00	F101-F118	Fuse Holder 5 x 20mm10A	5010-09361-00	R148-R155, R184-R187	Resistor, 220Ω, 1/4w, 5%
5705-14724-00	Q1	Heat Sink TO-3 5.1DEG/W	5011-12956-00	R172, R173, R178-R183	Resistor, 2.7KΩ, 1/4w, 5%
5701-09652-00	Q1	Thermal Pad TO-3	5010-10171-00	R174-R177, R241-R244	Resistor, 56Ω, 1/4w, 5%
4406-01128-00	Q1	Nut 6-32 KEPS	5010-14711-00	R188	Resistor, 10KΩ, 1/4w, 5%
4006-01005-06	Q1	Mach. Screw, 6-32 x 3/8"	5010-09314-00	R191, R193, R195, R197, R199, R201, R203, R205	Resistor, 1.2kΩ, 1/4w, 5%
5705-14562-00	Q2	Heat Sink 10-220 Wave Sol 287	5010-09086-00	R207	Resistor, 6.8kΩ, 1/4w, 5%
4004-01005-06	Q2-Q5	Mach. Screw, 4-40 x 3/8"	5010-12427-00	R225, R228, R231, R234, R237-R240	Resistor, .22kΩ, 1/4w, 5%
4404-01119-00	Q2-Q5	Nut 4-40 ESN	5010-08998-00	R226, R227, R229, R230, R232, R233, R235, R236	Resistor, 2.2kΩ, 1/4w, 5%
5705-12638-00	Q3-Q5	Heat Sink 5298B	5010-13517-00	R249	Resistor, 150Ω, 1/4w, 5%
5791-10862-07	J101, J129	Connector, 7-pin Header Str.	5010-09534-00	D25-D32	Resistor, 0Ω, 0w
5791-12516-00	J102	Connector, 34 Hdr 2x17	5019-10143-00	SRI	SIP RES 470 x 9R
5791-10862-12	J103	Connector, 12-pin Header Str.	5824-09248-00	TP100-TP107	Test Point #1502-1
5791-10862-03	J104, J122, J132, J135	Connector, 3-pin Header Str.	5370-12272-00	U1, U16, U17	I.C. LM339 Quad Comp
5791-10862-11	J105, J106	Connector, 11-pin Header Str.	5281-09486-00	U2, U4-U8, U10	I.C. 74LS374 8dff
5791-10862-05	J107, J108, J114, J115, J117, J118, J127, J130, J131, J134, J139	Connector, 5-pin Header Str.	5162-12422-00	U3, U11	Trans uln 2803 Oc-drl
5791-10862-09	J109, J112, J113, J116, J119, J121, J123, J128	Connector, 9-pin Header Str.	5281-10182-00	U9	I.C. 74LS240 l/drvr
5791-10862-13	J111, J120	Connector, 13-pin Header Str.	5281-09487-00	U12 - U15	I.C. 74LS74 Dual d lff
5791-13830-09	J124-J126	Connector, 9-pin Header Str.	5791-13830-05	J110	Connector, 5-pin Header
5791-10862-06	J133	Connector, 6-pin Header Str.			
5791-10862-04	J136-J138, J140, J141	Connector, 4-pin Header Str.			
5671-14516-00	LED100-LED105	LED Dspl Red T-1			
5250-14527-00	Q1	Regulator Voltage LM317K			
5460-12423-00	Q2	i.C. LM7812			
5131-12725-00	Q3-Q5	Triac 4 Quad Low Gate Current			
5194-09055-00	Q6-Q12, Q17-Q24, Q33-Q40, Q49-Q56, Q109	Transistor, MPSD52 PNP			
5162-12635-00	Q13-Q16, Q25-Q32, Q41-Q48, Q57-Q64, Q82, Q83, Q85, Q86, Q88, Q89, Q91, Q92, Q101-Q108	Transistor, TIP102			
5191-12179-00	Q65-Q72, Q81, Q84, Q87, Q90	Transistor, TIP36C			
5190-09016-00	Q73 - Q80	Transistor, 2N4403 PNP			
5192-12428-00	Q93 - Q100	Transistor, TIP107			
5160-10269-00	Q110	Transistor, 2N3904			
5013-14535-00	R1	Resistor, 750Ω, 1/4w, 1%			
5013-14534-00	R2	Resistor, 243Ω, 1/4w, 1%			
5010-09224-00	R5, R14-R17	Resistor, 270Ω, 1/4w, 1%			

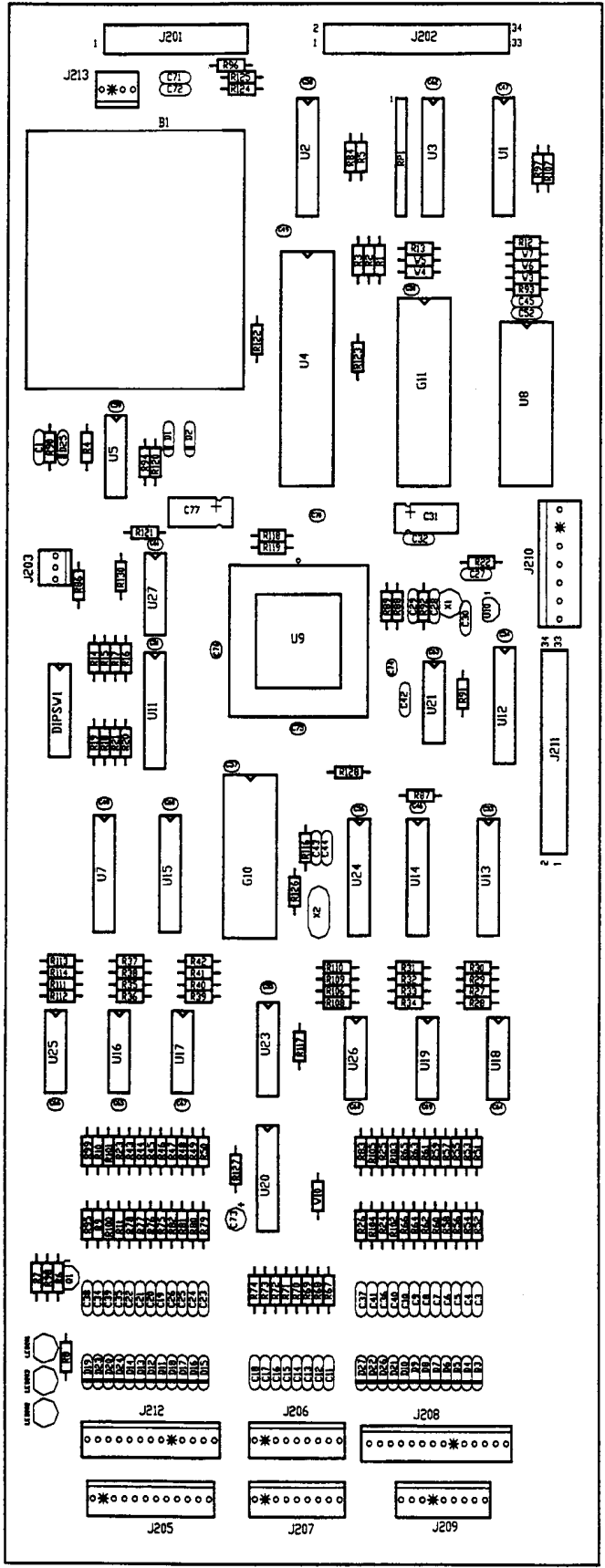
A-20028 WPC '95 Power Driver PCB Assembly



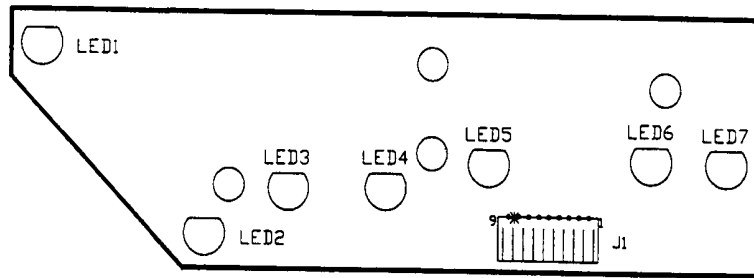
A-21377-50061 WPC '95 CPU PCB Assembly

Part Number	Designator	Description
A-15814	B1	Battery Holder
5048-11033-00	C1, C42	Capacitor, .022m, 50v, 10% Axial
5048-11030-00	C3-C26, C34-C41	Capacitor, 470p, 50v, Axial
5043-09030-00	C27	Capacitor, .047m, 50v (±20%) Axial
5048-13375-00	C28	Capacitor, 100p, 50v (10%) Axial
5048-11028-00	C29, C30, C43, C44	Capacitor, 22p, 50v Axial
5040-14569-00	C31, C77	Capacitor, 100mf, 25v Axial
5048-11031-00	C32	Capacitor, .001m, 50v, 10% Axial
5043-08996-00	C45-C70, C74-C76	Capacitor, 0.1m, 50v (±20%) Axial
5040-13098-00	C73	Capacitor, 4.7µF, @35v (±20%)
5645-09025-00	DIPSW1	Switch Dip 8 Pos
5070-09266-00	D1, D25	Diode 1N5817 1.0A.
5070-08919-00	D2-D24, D26, D27	Diode 1N4148 150ma
5700-10176-00	G10A	Socket Dip 28.6
5700-12088-00	G11	Socket Dip 32.6p"
5700-08985-00	U4	Socket I C 40PI N .6
5700-12424-00	U9	socket 84 PI N PL CC
5700-10389-00	U20	Socket I C 18 PIN 3"
5791-10850-00	J201	26H STR Sq. .100
5791-12516-00	J211, J202	34 HDR 2x17 .100
5791-13830-12	J205	12H STR Sq. Pin .100 Solid Tab
5791-13830-09	J206, J207, J209	9H STR Sq. Pin .100 Solid Tab
5791-13830-14	J208	14H STR Sq. Pin .100 Solid Tab
5791-10862-07	J210	7H STR Sq. Pin .156
5791-13830-13	J212	13H STR Sq. Pin .100 Solid Tab
5671-14516-00	LED201, LED202, LED203	LED DSPL RED T-1 3/4
5160-10269-00	Q1	Trans 2N3904 NPN
5019-09669-00	RP1	SIP 1K 9R 10 5%
5010-09358-00	R1, R2, R3, R4, R9, R10, R11, R23, R24, R25, R26, R43, R44, R45, R46, R47, R48, R49, R50, R51, R52, R53, R54, R55, R56, R57, R58, R59, R60, R61, R62, R63, R64, R65, R66, R67, R68, R69, R70, R71, R72, R73, R74, R75, R76, R77, R78, R79, R80, R81, R82, R83, R84, R93, R95, R96, R97, R99, R100, R101, R102, R103, R104, R105, R106, R107, R108, R109, R110, R111, R112, R113, R114, R117	Resistor, 1KΩ, 1/4w, 5%
5010-09416-00	R5, R6, R7, R8, R12, R13, R87, R88, R89	Resistor, 470Ω, 1/4w, 5%
5010-09034-00	R14, R15, R16, R17, R18, R19, R20, R21, R22, R27, R28, R29, R30, R31, R32, R33, R34, R35, R36, R37, R38, R39, R40, R41, R42, R86, R90, R94, R98	Resistor, 10KΩ, 1/4w, 5%
5010-12104-00	R91	Resistor, 22M, 1/4w, 5%
5010-10989-00	R92	Resistor, 470KΩ, 1/4w, 5%
5010-09187-00	R118, R119, R120, R121, R122, R123, R128, R130	Resistor, 150Ω, 1/4w, 5%
5010-09534-00	W3, W4, W7, R124, R125	Resistor, 0Ω, 0w
5010-10258-00	R126	Resistor, 1M, 1/4w, 5%
5010-09040-00	R127	Resistor, 33Ω, 1/4w, 5%
5281-09867-00	U1, U2	I C 74LS244 OCT BUF
5281-09308-00	U3	I C 74LS245 TRNC
5281-09851-00	U5	I C 74LS14 SMT/TRG
5315-12031-00	U7	I C 74HCT244
5340-12558-00	U8	IC RAM 8K x8 Static Cmos 100ns
5370-12687-00	U10	I C MC 34064 Reset CHP
5281-10182-00	U11, U12, U13, U15	I C 74LS240 L/DRV R
5311-14068-00	U14, U24	I C 74HC574 OCTAL D-Latch
5370-12272-00	U16, U17, U18, U19, U25, U26	I C LM339 Quad Comp
5284-12651-00	U21	I C 4584 Hex Schmitt
5311-14554-00	U23	U I C 74HC237 3 to 8 NON I NV DE
5281-09247-00	U27	I C 74LS02 Quad Nor
5520-12084-00	X1	Crystal 32. 768 KHZ
5520-14761-00	X2	XTL 8MHz Anti-Res Parallel Cut
A-5400-50061-1	G10	PIC16C57 Assembly
A-5343-50061-1	G11	Game ROM Assembly
5880-09022-00	B1	Battery 1.5v, AA Alk.
5400-10320-00	U4	IC MPU 68B09E
5410-12426-00	U9	IC WPC-89 ASIC
5162-12422-00	U20	Trans UIn 2803 Oc-Drf

A-21377-50061 WPC '95 CPU PCB Assembly

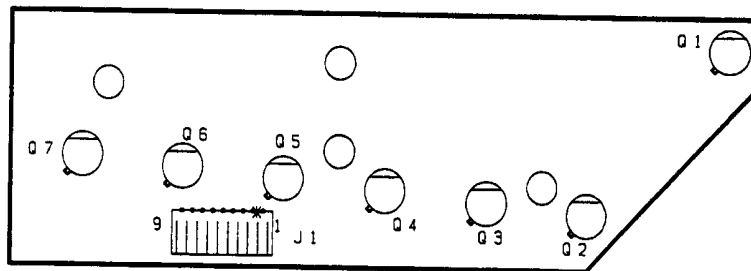


A-18617 Trough IRED LED PCB Assembly



Part Number	Designator	Description
5671-12731-00	LED1 – LED7	Infra Red Diode
5791-12622-09	J1	Connector, 9-pin Header Sq.

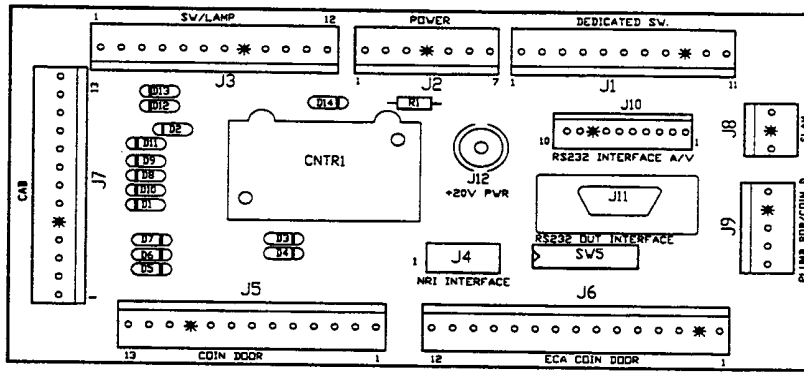
A-18618 Trough IRED Transistor PCB Assembly



Part Number	Designator	Description
5163-14114-00	Q1 – Q7	Infra Red Photo Transistor
5791-12622-09	J1	Connector, 9-pin Header Sq.

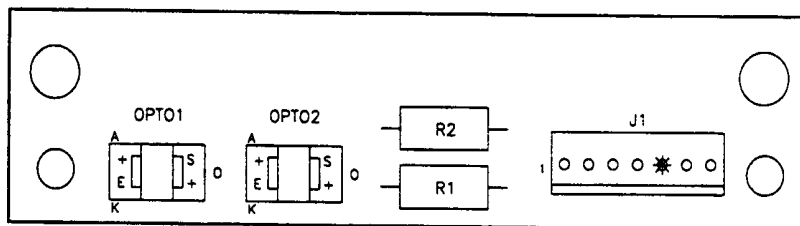
A-20580 Coin Interface PCB Assembly

(This board does not contain optional items such as the coin counter and printer interface.)



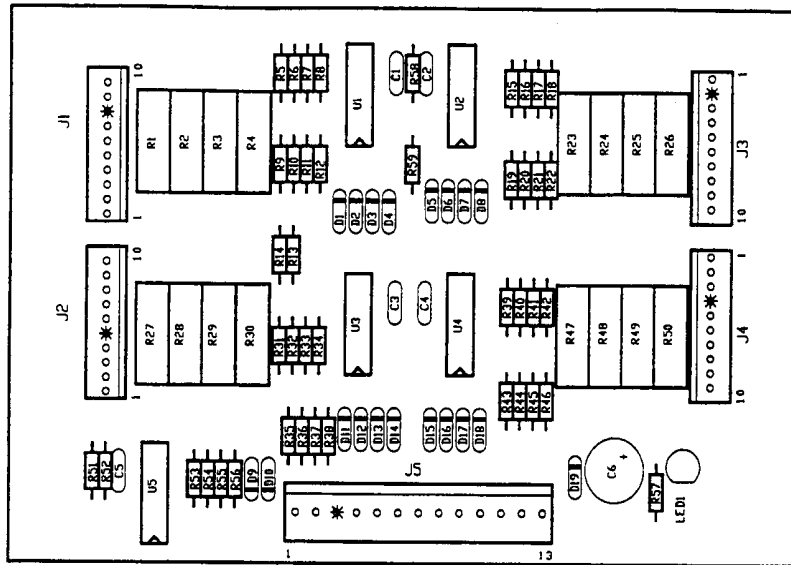
Part Number	Designator	Description
5070-09054-00	D1-D14	Diode 1N4004 1.0A.
5791-10862-11	J1	Connector, 11-pin Header Str. Sq.
5791-10862-07	J2	Connector, 7-pin Header Str. Sq.
5791-10862-12	J3	Connector, 12-pin Header Str. Sq.
5791-11000-10	J4	Connector, 10-pin Header Str. Sq.
5791-10862-13	J5, J7	Connector, 13-pin Header Str. Sq.
5791-10862-15	J6	Connector, 15-pin Header Str. Sq.
5791-10862-03	J8	Connector, 3-pin Header Str. Sq.
5791-10862-05	J9	Connector, 5-pin Header Str. Sq.
5791-12462-10	J10	Connector, 10-pin Header Str. Sq.
5010-13517-00	R1	Resistor, 15Ω, 1/4w, 5%
5645-09025-00	SW5	Switch DIP 8 Pos.

A-17316 Flipper Opto PCB Assembly



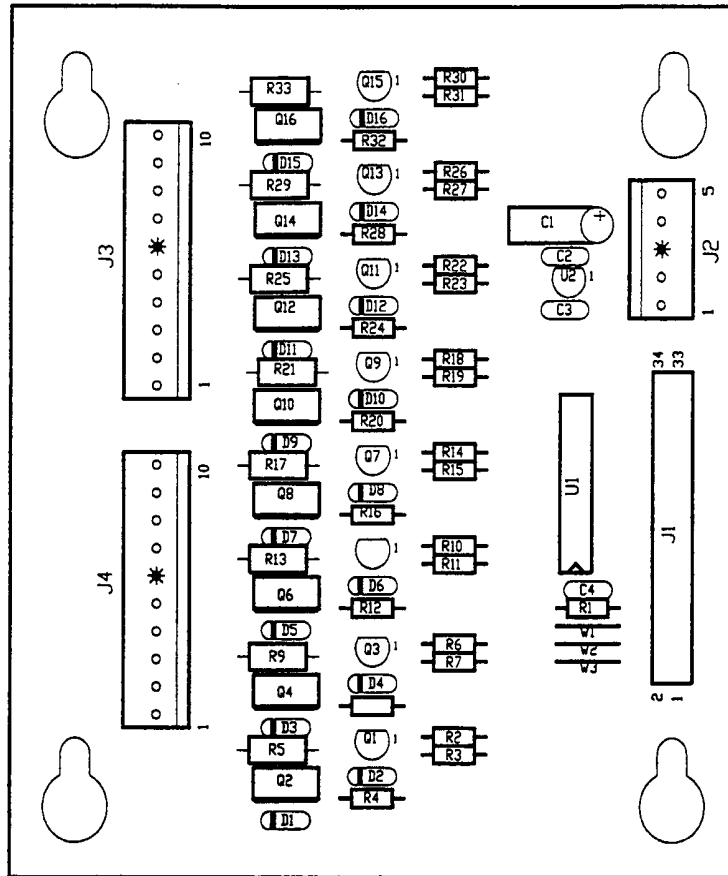
Part Number	Designator	Description
A-20207.1	-	Flipper Opto Switch PCB
5010-09061-00	R1, R2	Resistor, 680Ω, 1/2w, 5%
5490-14575-00	OPTO1, OPTO2	IC Opto Integ Schmitt 10mA.
5791-13830-07	J1	Connector, 7-pin Header Solid Sq.
03-9001.1	-	Interrupter Flip-Opto
01-14348	-	Spring Flipper Switch

A-22019-2 16 Opto Driver PCB w/Brackets



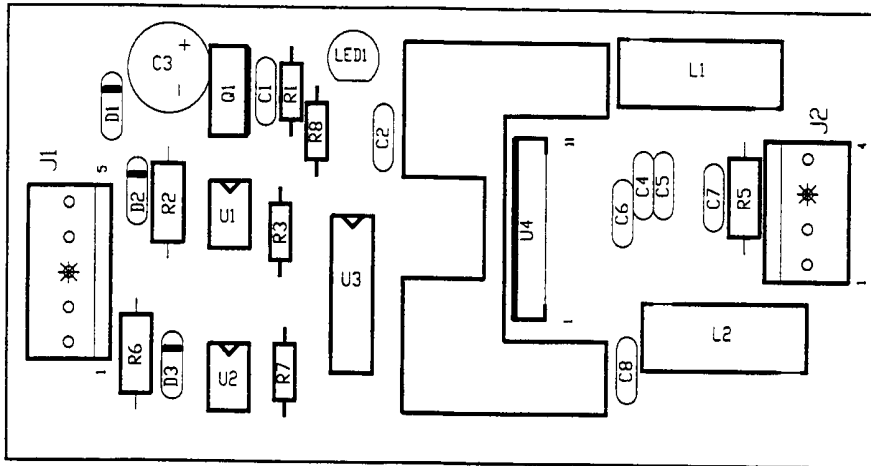
Part Number	Designator	Description
A-22019	-	16 Opto Driver PCB Assembly
5043-08996-00	C1 C5	Capacitor, 0.1m, 50v, ±20 Axial.
5040-13102-00	C6	Capacitor, 470µf, @35v ±20%
5070-09054-00	D1-D19	Diode 1N4004, 1.0A.
5791-13830-00	J1-J4	Connector, 10-pin Header STR SQ.
5791-10862-13	J5	Connector, 13-pin Header STR SQ.
5671-14516-00	LED1	Led Display Red T 1-3/4"
5010-12928-00	R1-R4, R23-R30, R47-R50	Resistor 270Ω, 2w, 5%
5010-09999-00	R5-R12, R15-R22, R31-R46, R57	Resistor 2K Ω, 1/4w, 5%
5010-08776-00	R51	Resistor 68K Ω, 1/4w, 5%
5010-08774-00	R13, R14, R53, R55	Resistor 22K Ω, 1/4w, 5%
5010-09162-00	R52, R54, R56, R58, R59	Resistor 100K Ω, 1/4w, 5%
5370-12272-00	U1-U5	IC LM339 Quad Comp
01-10756	-	PCB Mounting Bracket
07-6688-18N	-	Rivet: 1/8 x 3/16

A-21773 Auxiliary 8 Driver PCB Assembly



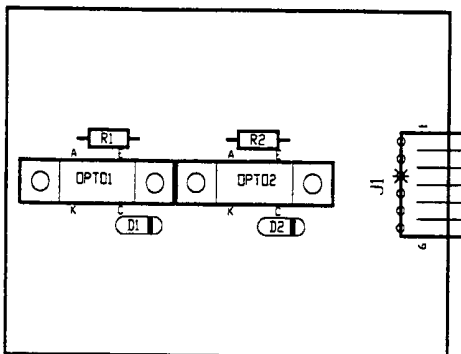
Part Number	Designator	Description
5040-12808-00	C1	Capacitor 10 μ F, 35v, Axial
5043-08996-00	C2-C4	Capacitor 0.1 μ F, 50v, \pm 20%
5070-09054-00	D1-D16	Diode 1N4004, 1.0A.
5791-12516-00	J1	Connector, 34Hdr 2x17 .100
5791-10862-05	J2	Connector, 5H, STR Sq. .156
5791-10862-10	J3, J4	Connector, 10H STR Sq. Pin
5190-09016-00	Q1, Q3, Q5, Q7, Q9, Q11, Q13, Q15	Transistor 2N4403 PNP
5162-12635-00	Q2, Q4, Q6, Q8, Q10, Q12, Q14, Q16	Transistor TIP 102
5010-08991-00	R1, R2, R6, R10, R14, R18, R22, R26, R30	Resistor 4.7K Ω , 1/4w, 5%
5010-09416-00	R3, R7, R11, R15, R19, R23, R27, R31	Resistor, 470 Ω , 1/4w, 5%
5010-10171-00	R4, R8, R12, R16, R20, R24, R28, R32	Resistor 56 Ω , 1/4w, 5%
5011-12956-00	R5, R9, R13, R17, R21, R25, R29, R33	Resistor 2.7K Ω , 1W
5317-12212-00	U1	I.C. 74LS574 Oct F-F
5250-13302-00	U2	Reg 78L05T
5010-09534-00	W1	Resistor 0 Ω , 0w

A-16120 DC Motor Control Assembly (4 Way)



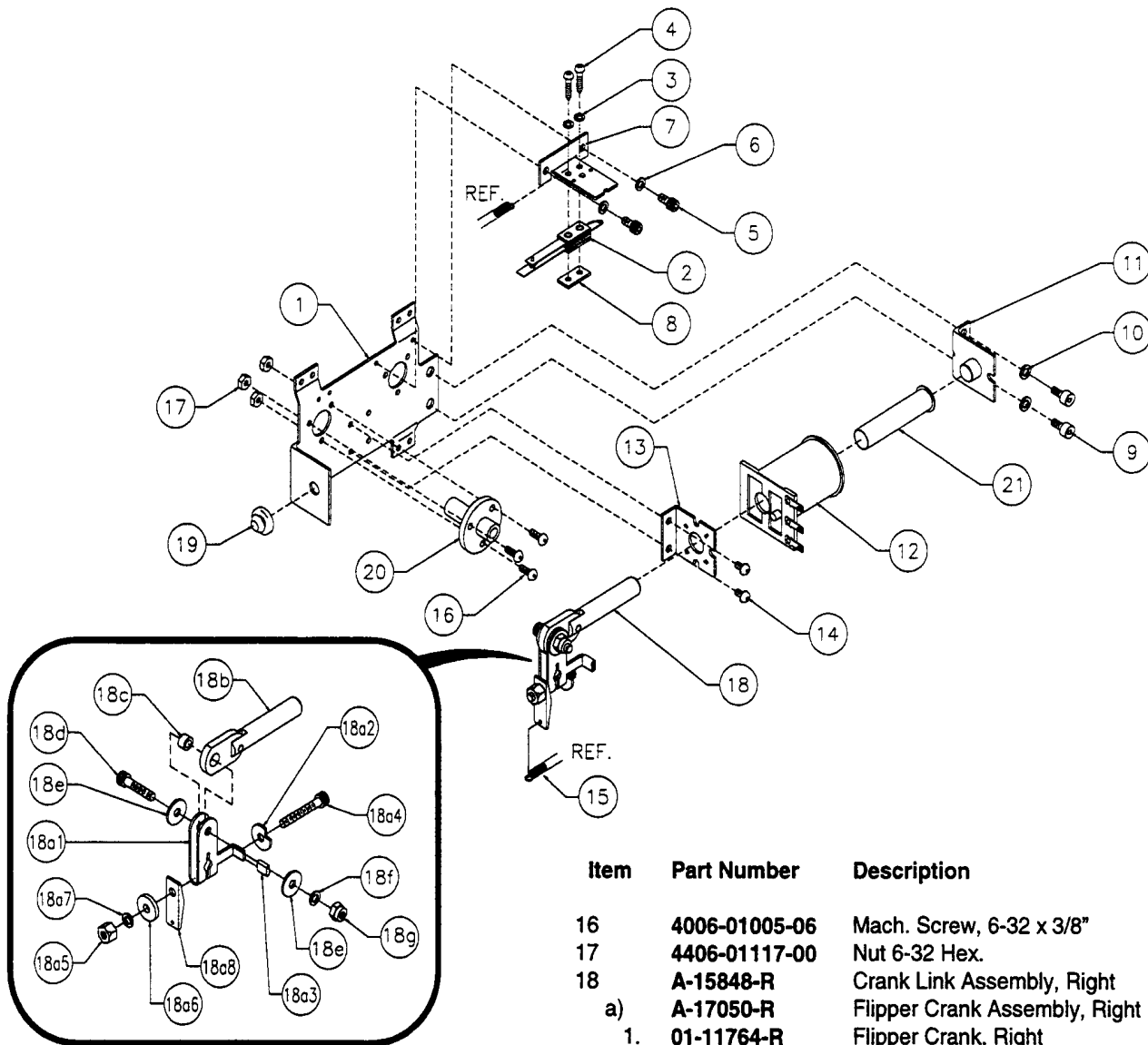
Part Number	Designator	Description
5791-12273-04	J2	Connector 4-H STR Sq. Lck. .156
5791-12273-05	J1	Connector 5H STR Sq. Lck. .156
5671-13732-00	LED1	Display RED LED
5070-09054-00	D1-D3	Diode 1N4004 1A.
5551-09822-00	L1, L2	Ind. 4.7 μ H, 3A.
5010-09061-00	R2, R6	Resistor, 680 μ , 1/2w, 5%
5010-10255-00	R5	Resistor, 10 Ω , 1/2w, 5%
5010-08997-00	R3, R7, R8	Resistor, 2.7K Ω , 1/4w, 5%
5010-09085-00	R1	Resistor, 1.5K Ω , 1/4w, 5%
5040-10974-00	C3	Capacitor, 100 μ F, 35V. Rad.
5281-09500-00	U3	IC 74LS32 Quad OR
5370-13342-00	U4	IC 3A. DMOS Bridge Driver
5490-10892-00	U1, U2	IC Opto Isolator 4N25
5250-09157-00	Q1	Reg. 7805 1A 5V
5043-08980-00	C2, C4, C6-C8	Capacitor, 0.01 μ F, 50v, +80-20%
5043-12807-00	C1	Capacitor, 1 μ F, 50v, +80-20%
5043-08996-00	C5	Capacitor, 0.1 μ F, 50v, +80-20%

A-22026 Motor 2-Opto PCB Assembly



Part Number	Designator	Description
5070-09054-00	D1, D2	Diode 1N4004 1.0A.
5013-14535-00	R1, R2	Resistor 750 1/4w, 1%
5490-13341-00	Opto1, Opto2	I.C. Opto Intr w/Tab
5791-12622-06	Opto1, Opto2	Connector, 6 Header R/A Lck. .100 Solid Tab

A-14876-R-3 Flipper Assembly



Item	Part Number	Description
1	A-14877-R	Flipper Base Assembly, Right
2	SW-1A-194	Switch Assembly
3	4701-00002-00	Lock Washer #6 Split
4	4105-01019-10	Sh. Metal Screw, #5 x 5/8"
5	4008-01079-05	Mach. Screw, 8-32 x 5/16"
6	4701-00003-00	Lock Washer #8 Split
7	01-9375	Switch Mounting Bracket
8	20-6516	Speednut, Tinnerman
9	4010-01066-06	Cap Screw, 10-32 x 3/8"
10	4701-00004-00	Lock Washer #10 Split
11	A-12390	Flipper Stop Assembly
12	FL-11629	Flipper Coil, Blue
13	01-7695-1	Solenoid Bracket
14	4006-01017-04	Mach. Screw, 6-32 x 1/4"
15	10-364	Spring

Item	Part Number	Description
16	4006-01005-06	Mach. Screw, 6-32 x 3/8"
17	4406-01117-00	Nut 6-32 Hex.
18	A-15848-R	Crank Link Assembly, Right
	A-17050-R	Flipper Crank Assembly, Right
a)	01-11764-R	Flipper Crank, Right
2.	4700-00107-01	Mod-Crank Washer
3.	RM-23-06	H.S. Tubing 1/4"
4.	4010-01066-20	Mach. Screw, 10-32 x 1-1/4"
5.	4410-01127-00	Nut, 10-32 Hex.
6.	4700-00107-00	FW: 13/64 x 5/8 x 12ga.
7.	4701-00004-00	Lockwasher #10 Split
8.	01-9376	Spring Retainer Bracket
b)	A-15847	Flipper Link Assembly
c)	02-4676	Link Spacer Bushing
d)	4010-01086-14	Cap Screw, 10-32 x 7/8"
e)	4700-00023-00	Flat Washer, 5/8 x 13/64 x 16ga.
f)	4701-00004-00	Lock Washer #10 Split
g)	4410-01132-00	Nut 10-32 ESN
19	23-6577	Bumper Plug, 5/8"
20	03-7568	Flipper Bushing
21	03-7066-5	Coil Tubing

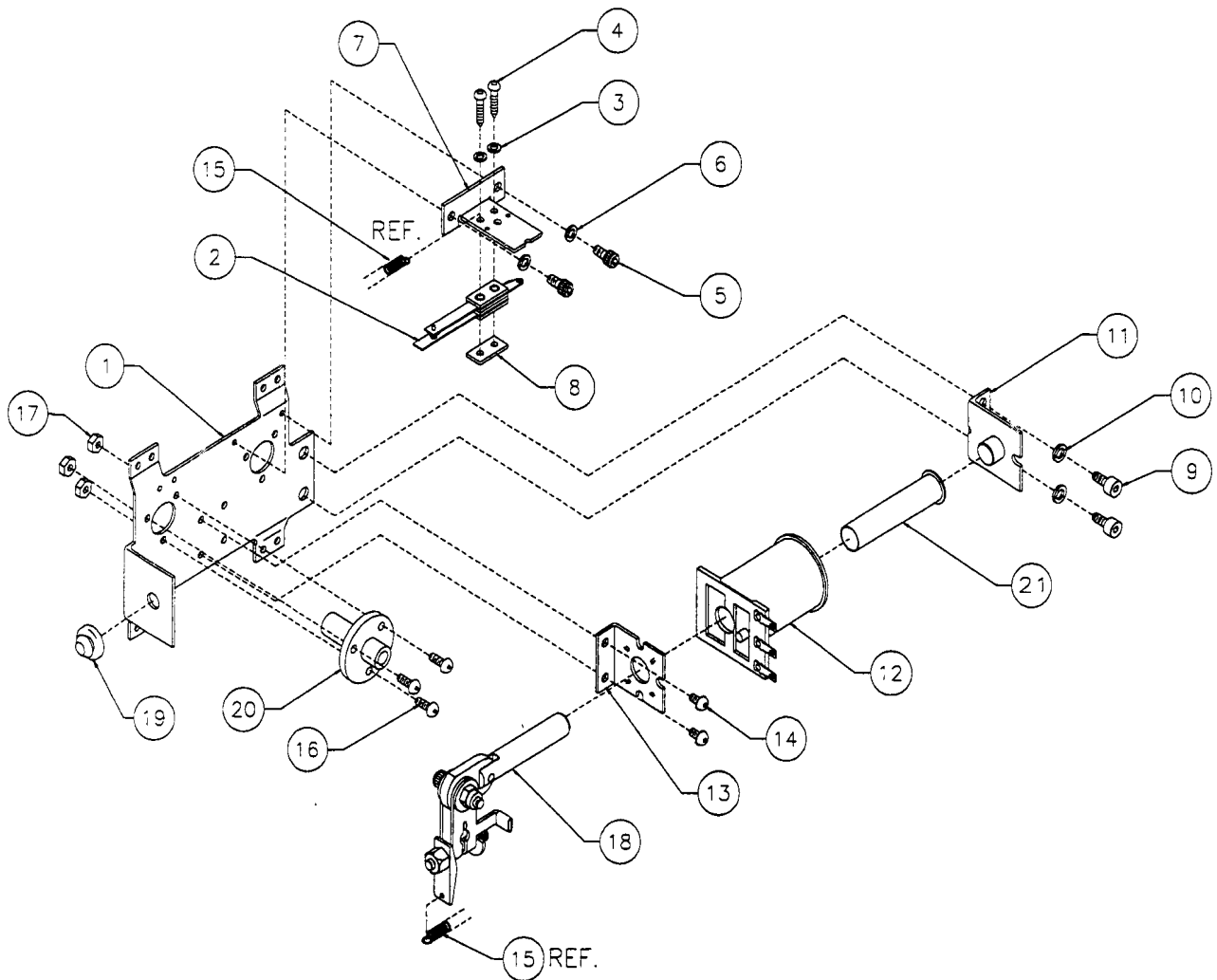
Associated Parts: (Not Shown)

23-6519-4	Flipper Ring
20-10110-6	Flipper Bat w/Shaft

Flipper Notes...

- Each Flipper Assembly is mounted beneath the playfield, in conjunction with the Plastic Flipper & Shaft, and Flipper Rubber on the upper side of the playfield.
- With the flipper, in the non-activated position, the E.O.S. Switch contacts must have a gap of .062 (± 0.015) inch. When flipper is activated switch must close.
- Any adjustment of the E.O.S. switch must be made at a minimum distance of 0.25 inch from the switch body.
- Longer blade of E.O.S. switch must be made straight. Gap adjustment is done by adjusting shorter blade.
- All moving elements of the assembly must operate freely without any evidence of binding.
- Apply Loctite™ 245 when reattaching screws to the Flipper Stop Assembly, the Solenoid Bracket, and the Flipper Bushing.

A-15849-R Flipper Assembly



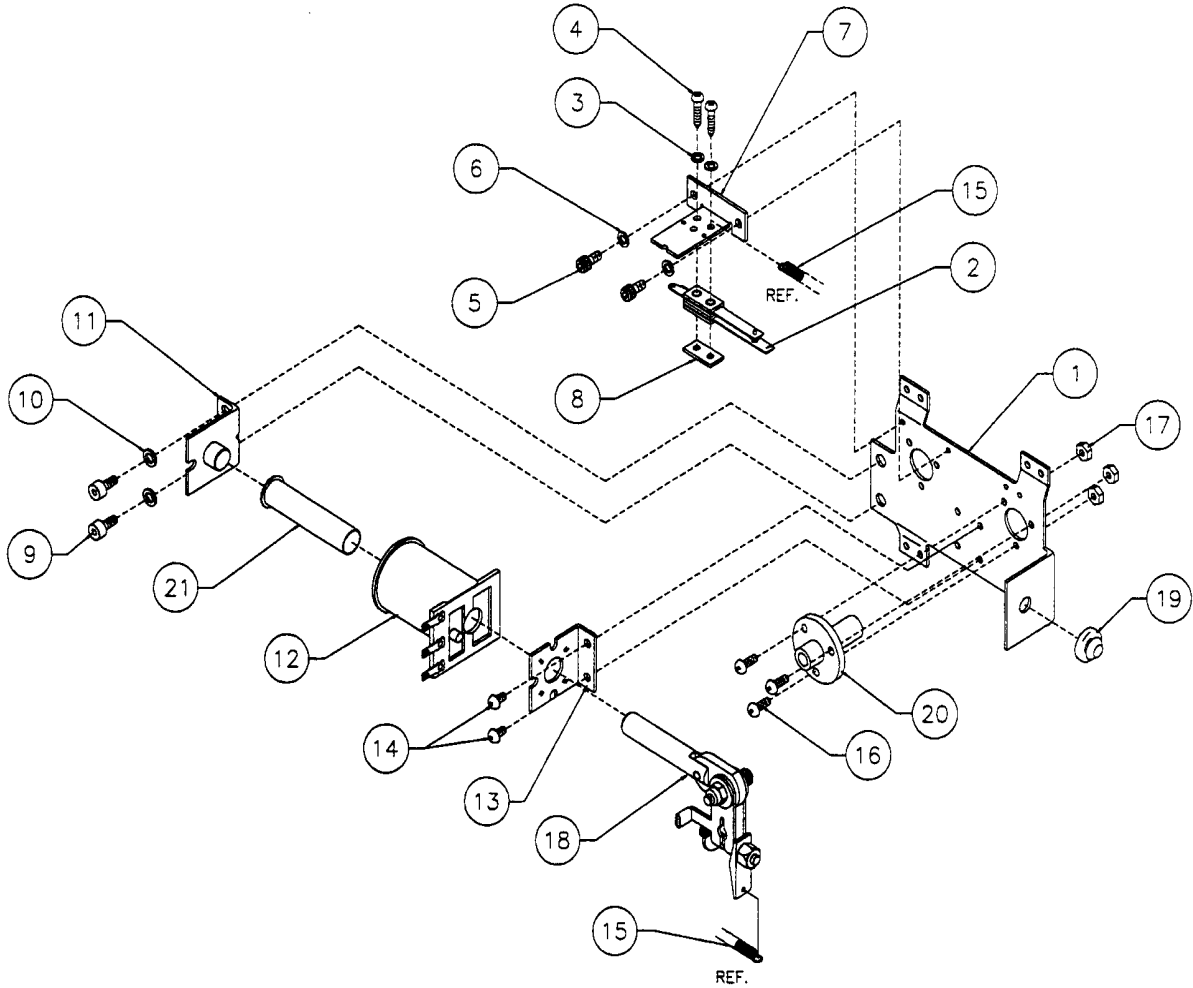
Item	Part Number	Description	Item	Part Number	Description
1	B-13104-R	Flipper Base Assembly, Right	*18	A-15848-R	Crank Link Assembly, Right
2	SW-1A-194	Switch Assembly	a)	A-17050-R	Flipper Crank Assembly, Right
3	4701-00002-00	Lock Washer #6 Split	1.	01-11764-R	Flipper Crank, Right
4	4105-01019-10	Sh. Metal Screw, #5 x 5/8"	2.	4700-00107-01	Mod-Crank Washer
5	4008-01079-05	Mach. Screw, 8-32 x 5/16"	3.	RM-23-06	H.S. Tubing 1/4"
6	4701-00003-00	Lock Washer #8 Split	4.	4010-01066-20	Mach. Screw, 10-32 x 1-1/4"
7	01-9375	Switch Mounting Bracket	5.	4410-01127-00	Nut, 10-32 Hex.
8	20-6516	Speednut, Tinnerman	6.	4700-00107-00	FW: 13/64 x 5/8 x 12ga.
9	4010-01066-06	Cap Screw, 10-32 x 3/8"	7.	4701-00004-00	Lockwasher #10 Split
10	4701-00004-00	Lock Washer #10 Split	8.	01-9376	Spring Retainer Bracket
11	A-12390	Flipper Stop Assembly	b)	A-15847	Flipper Link Assembly
12	FL-11630	Flipper Coil	c)	02-4676	Link Spacer Bushing
13	01-7695-1	Solenoid Bracket	d)	4010-01086-14	Cap Screw, 10-32 x 7/8"
14	4006-01017-04	Mach. Screw, 6-32 x 1/4"	e)	4700-00023-00	Flat Washer, 5/8 x 13/64 x 16ga.
15	10-364	Spring	f)	4701-00004-00	Lock Washer #10 Split
16	4006-01005-06	Mach. Screw, 6-32 x 3/8"	g)	4410-01132-00	Nut 10-32 ESN
17	4406-01117-00	Nut 6-32 Hex.	19	23-6577	Bumper Plug, 5/8"
			20	03-7568	Flipper Bushing
			21	03-7066-5	Coil Tubing

Associated Parts: (Not Shown)

23-6519-4	Flipper Ring
20-10110-6	Flipper Bat w/Shaft

* See page 2-15 for assembly detail drawing.

A-15849-L-2 Flipper Assembly



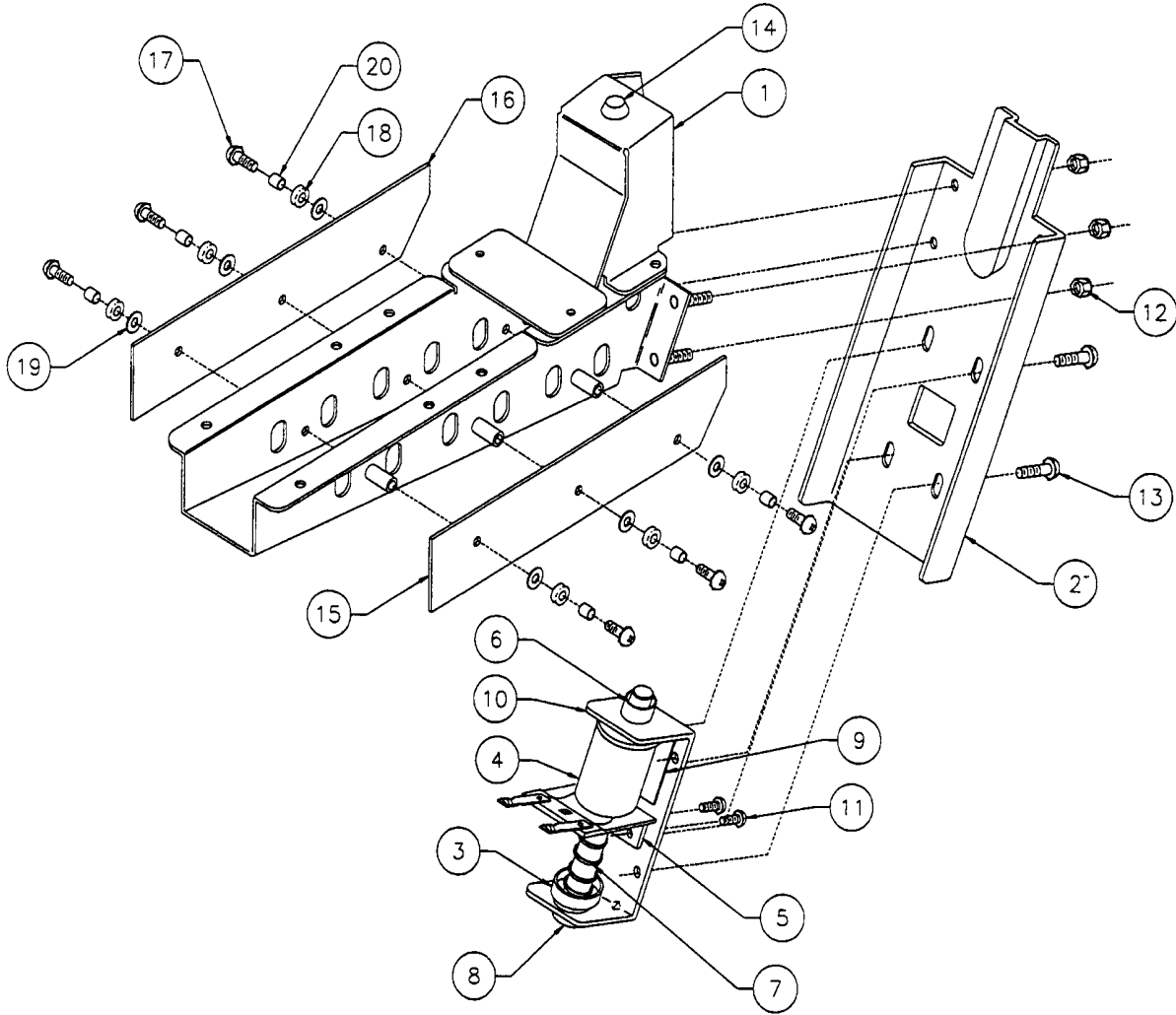
Item	Part Number	Description	Item	Part Number	Description
1	B-13104-L	Flipper Base Assembly, Left	*18	A-15848-L	Crank Link Assembly, Left
2	SW-1A-194	Switch Assembly	a)	A-17050-L	Flipper Crank Assembly, Left
3	4701-00002-00	Lock Washer #6 Split	1.	01-11764-L	Flipper Crank, Left
4	4105-01019-10	Sh. Metal Screw, #5 x 5/8"	2.	4700-00107-01	Mod-Crank Washer
5	4008-01079-05	Mach. Screw, 8-32 x 5/16"	3.	RM-23-06	H.S. Tubing 1/4"
6	4701-00003-00	Lock Washer #8 Split	4.	4010-01066-20	Mach. Screw, 10-32 x 1-1/4"
7	01-9375	Switch Mounting Bracket	5.	4410-01127-00	Nut, 10-32 Hex.
8	20-6516	Speednut, Tinnerman	6.	4700-00107-00	FW: 13/64 x 5/8 x 12ga.
9	4010-01066-06	Cap Screw, 10-32 x 3/8"	7.	4701-00004-00	Lockwasher #10 Split
10	4701-00004-00	Lock Washer #10 Split	8.	01-9376	Spring Retainer Bracket
11	A-12390	Flipper Stop Assembly	b)	A-15847	Flipper Link Assembly
12	FL-11629	Flipper Coil, Blue	c)	02-4676	Link Spacer Bushing
13	01-7695-1	Solenoid Bracket	d)	4010-01086-14	Cap Screw, 10-32 x 7/8"
14	4006-01017-04	Mach. Screw, 6-32 x 1/4"	e)	4700-00023-00	Flat Washer, 5/8 x 13/64 x 16ga.
15	10-364	Spring	f)	4701-00004-00	Lock Washer #10 Split
16	4006-01005-06	Mach. Screw, 6-32 x 3/8"	g)	4410-01132-00	Nut 10-32 ESN
17	4406-01117-00	Nut 6-32 Hex.	19	23-6577	Bumper Plug, 5/8"
			20	03-7568	Flipper Bushing
			21	03-7066-5	Coil Tubing

Associated Parts: (Not Shown)

23-6519-4	Flipper Ring
20-10110-6	Flipper Bat w/Shaft

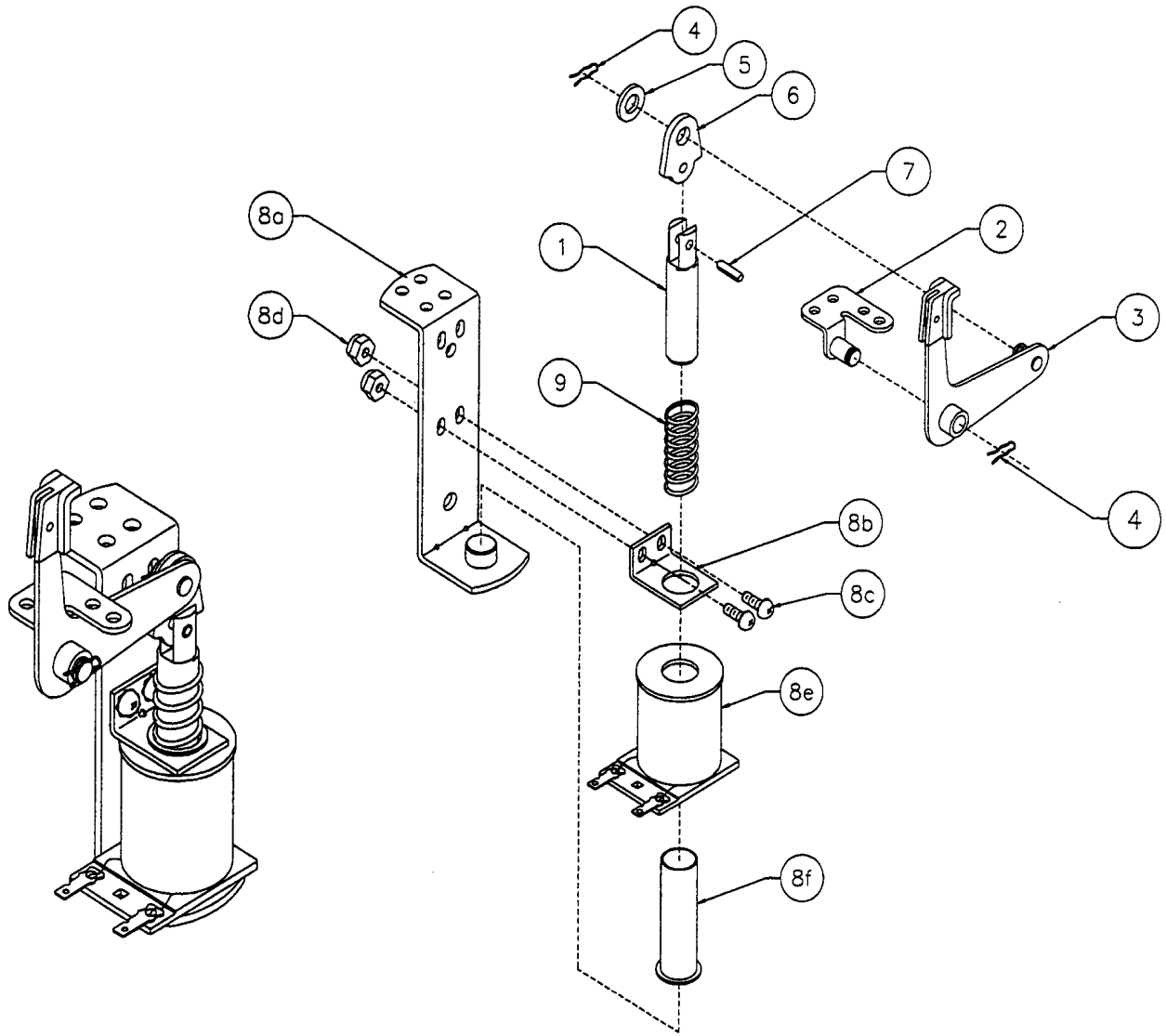
* See page 2-15 for assembly detail drawing.

A-18753 Ball Trough Assembly Complete



Item	Part Number	Description	Item	Part Number	Description
1	A-16809-2	Ball Trough Welded Assy.	11	4008-01017-05	Mach. Screw, 8-32 x 5/16"
2	01-11587	Ball Trough Front	12	4408-01119-00	Nut 8-32 ESN
3	A-6306-2	Bell Armature Assembly	13	4008-01017-06	Mach. Screw, 8-32 x 3/8"
4	AE-26-1500	Coil Assembly	14	23-6702	Bumper Plug
5	01-8-508-T	Solenoid Assembly	15	A-18617	Trough IRED LED PCB Assembly
6	03-7067-5	Coil Tubing	16	A-18618	Trough IRED Transistor PCB Assy.
7	10-135	Spring	17	4006-01003-10	Mach. Screw, 6-32 x 5/8" SEMS
8	23-6420	Rubber Grommet	18	23-6626	Rubber Grommet
9	03-8523	Insulator	19	4700-00004-00	Flat Washer, 9/64 x 7/16 x 21ga.
10	01-11586	Coil Mounting Bracket	20	02-4975	Bushing

A-17811 Kicker Arm (Slingshot) Assembly

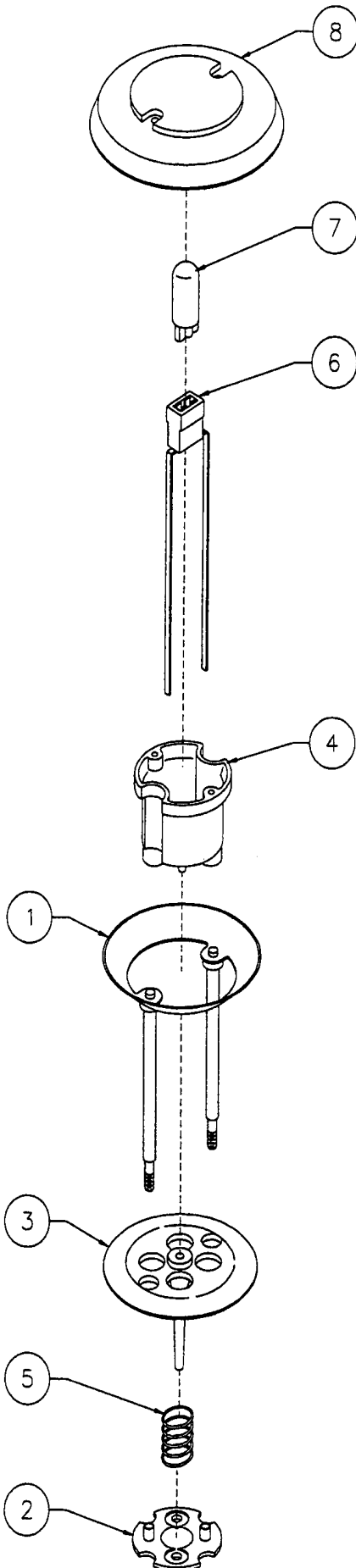


Associated Parts for Right & Left Kickers:

Item	Part Number	Description
1	02-2364	Coil Plunger
2	A-17810	Mounting Bracket Assy.
3	A-12664	Kicker Crank Assembly
4	12-6227	Hairpin Clip
5	4700-00030-00	FW, 17/64 x 1/2 x 15ga.
6	03-8085	Armature Link
7	20-8716-5	Roll Pin, 1/8 x 7/16"

Item	Part Number	Description
8	A-22206-2	Coil & Bracket Assembly, R.
	A-22207-2	Coil & Bracket Assembly, L.
a)	A-17808	Bracket & Stop Assembly
b)	01-8-508-S	Coil Retaining Bracket
c)	4006-01017-06	Mach. Screw, 6-32 x 3/8"
d)	4406-01119-00	Nut, 6-32 ESN
e)	AE-26-1200	Coil Assembly
f)	03-7066	Coil Tubing
9	10-128	Spring

B-9414, B-9414-1 & B-9414-3 Jet Bumper Assemblies

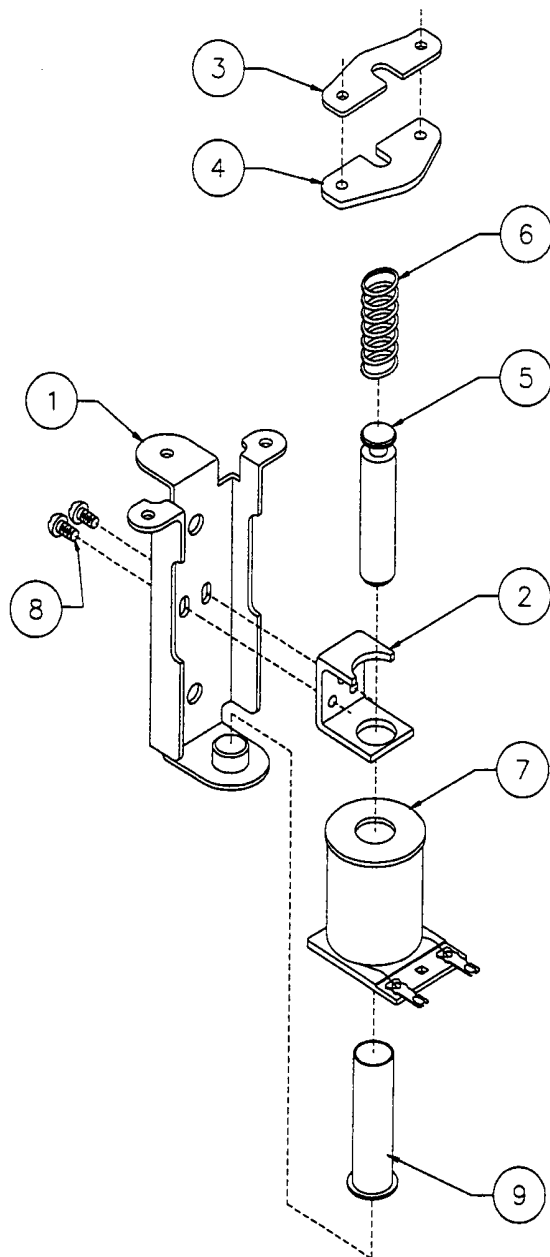


Item	Part Number	Description
1	A-4754	Bumper Ring Assembly
2	03-6009-A5	Bumper Base, White
3	03-6035-5	Bumper Wafer, White (use w/B-9414)
	03-6035-1	Bumper Wafer, Blue (use w/B-9414-1)
	03-6035-4	Bumper Wafer, Red (use w/ B-9414-3)
4	03-7443-5	Bumper Body, White
5	10-7	Spring
6	24-8776	Socket-Wedge Base
7	24-8768	Bulb #555(6.5v., 0.25A.)

Associated Parts:

8	03-8254-9	Jet Bumper Cap (1)
	03-8254-10	Jet Bumper Cap (1)
	03-9828.1	Jet Bumper Cap, Modified (1)

A-22205-2 Jet Coil & Bracket Assembly

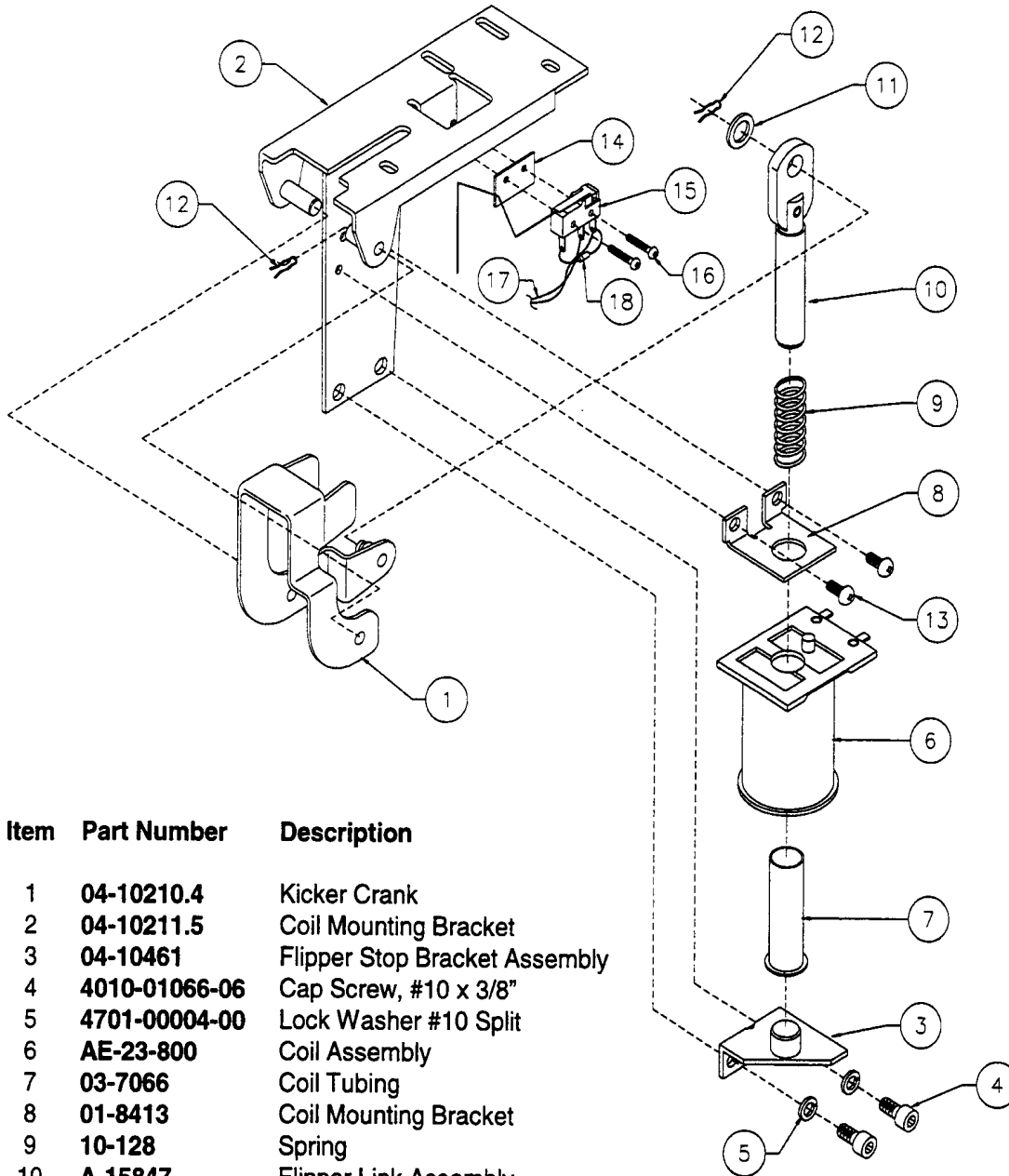


Item	Part Number	Description
1	04-10888	Bracket & Stop Assembly
2	01-1747	Coil Retaining Bracket
3	01-5492	Armature Link, Steel
4	01-5493	Armature Link, Bakelite
5	02-3406-1	Coil Plunger
6	10-326	Armature Spring
7	AE-26-1200	Coil Assembly
8	4006-01017-04	Mach. Screw, 6-32 x 1/4"
9	03-7066	Coil Tubing

Associated Parts: (Not Shown)

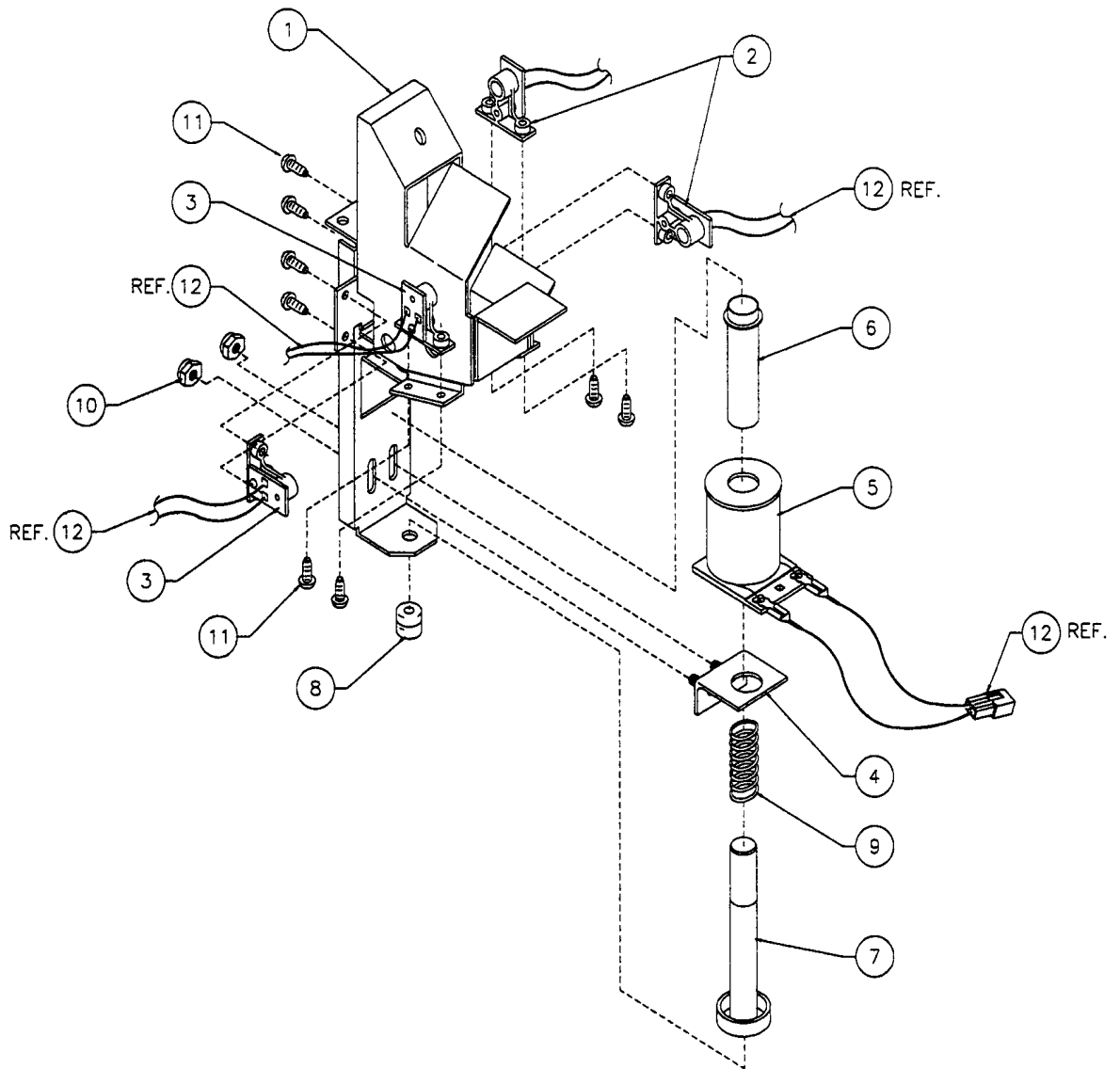
10	B-12030-2	Leaf Switch Assembly
a)	A-16443	Switch & Diode Assembly
b)	01-1168	Switch Mounting Bracket
c)	01-3670	Switch Plate
d)	03-7395	Switch Actuator
e)	4005-01003-12	Mach. Screw, 5-40 x 3/4"
f)	4405-01117-00	Nut 5-40 Hex.

A-22204 Shooter Lane Kicker Assembly



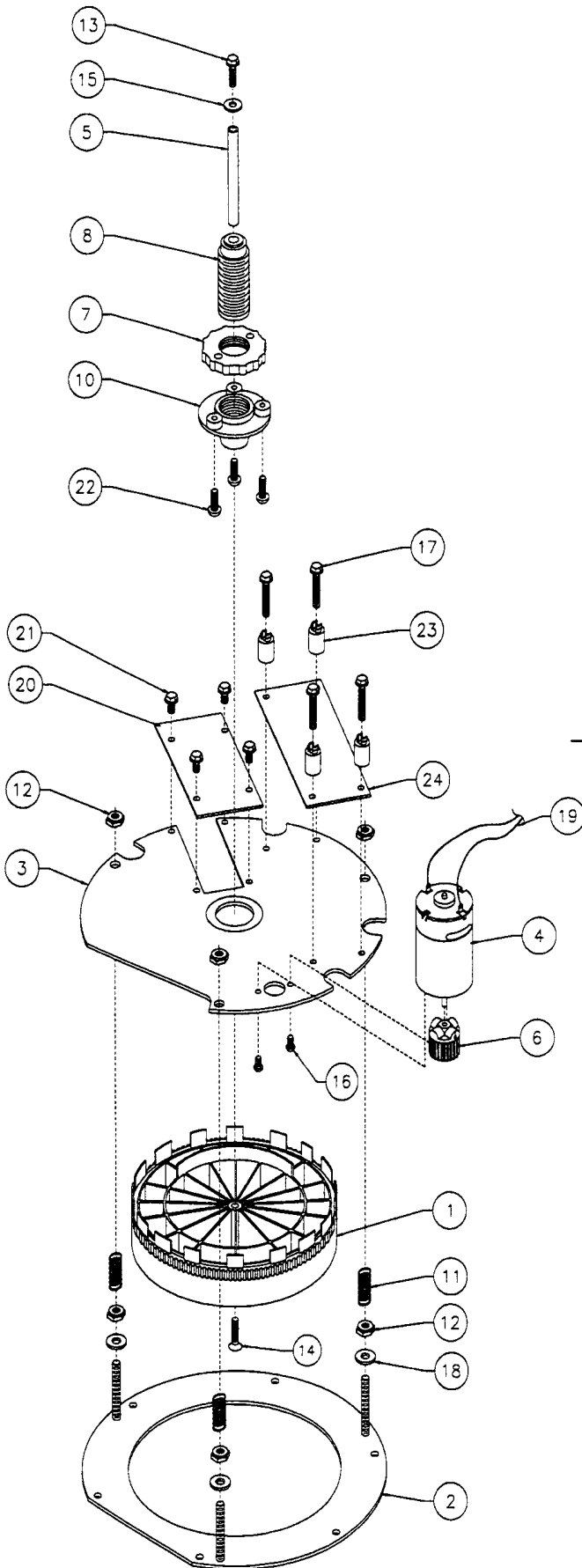
Item	Part Number	Description
1	04-10210.4	Kicker Crank
2	04-10211.5	Coil Mounting Bracket
3	04-10461	Flipper Stop Bracket Assembly
4	4010-01066-06	Cap Screw, #10 x 3/8"
5	4701-00004-00	Lock Washer #10 Split
6	AE-23-800	Coil Assembly
7	03-7066	Coil Tubing
8	01-8413	Coil Mounting Bracket
9	10-128	Spring
10	A-15847	Flipper Link Assembly
11	4700-00104-00	Flat Washer, 23/64 x 1/2 x 16ga.
12	12-6227	Hair Pin Clip
13	4006-01003-05	Mach. Screw, 6-32 x 5/16"
14	01-8600	Insulator
15	5647-12693-68	Mini-Micro Switch
16	4002-01105-08	Mach. Screw, 2-56 x 1/2"
17	H-16437	Cable
18	5070-09054-00	Diode

A-22022 Right Popper Assembly



Item	Part Number	Description
1	04-10978.1	Right Popper Bracket
2	A-16908	Opto LED Assembly
3	A-16909	Opto Transistor Assembly
4	04-10910-1	Coil Bracket
5	AE-26-1200	Coil Assembly
6	03-7067	Coil Tubing
7	A-17767	Bell Armature Assembly
8	23-6420	Rubber Grommet
9	10-135	Plunger Spring
10	4408-01119-01	Nut 8-32 ESNA NTM
11	4106-01013-06	Sh. Metal Screw: #6 x 3/8"
12	H-22158.1	Right Popper Cable

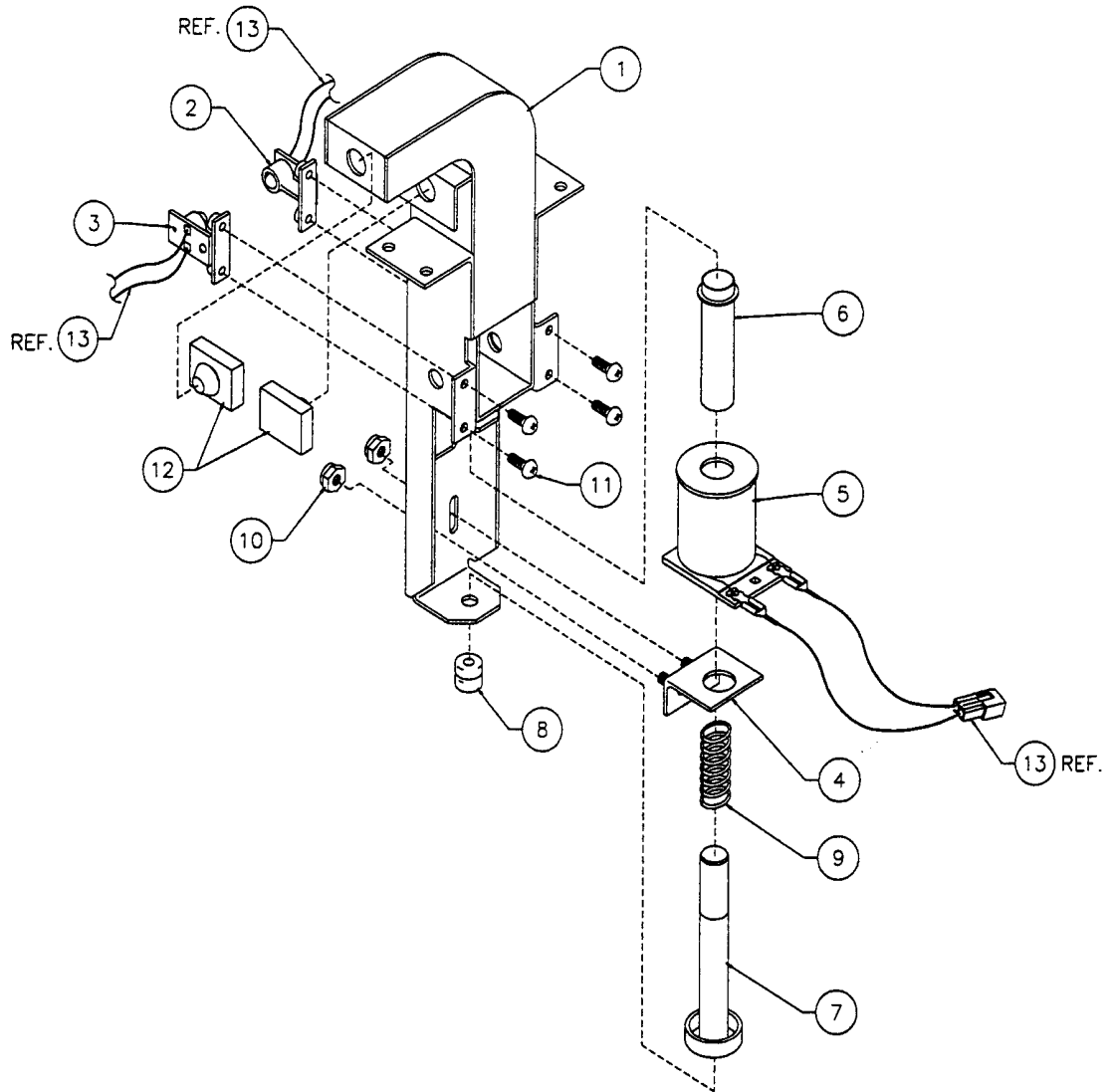
A-21786 Driven Disc Assembly



Item	Part Number	Description
1	03-9691	Driven Disc
2	04-10912	Base Plate
3	04-10913.2	Mounting Plate
4	14-7955-1	Motor (Low Speed)
5	02-4418-1	Shaft
6	03-8343	Pinion-18 Tooth
7	03-8347	Gland
8	04-10412	Adjusting Screw Assembly
* 9	31-2957	Decal - Driven Disc
10	03-8363-1	Nut - Locking
11	10-526	Leveling Spring
12	4410-01132-01	Nut 10-32 ESNA
13	4008-01168-08	Mach. Screw 8-32 x 1/2"
14	4008-01041-10	Mach. Screw: 8-32 x 5/8"
15	4700-00016-00	Flat Washer: 3/16 x 7/16 x 17ga.
16	20-9639	Mach. Screw: M3 x .5 x 6mm
17	4008-01168-16	Mach. Screw: 8-32 x 1"
18	4700-00060-00	Flat Washer: 7/32 x 1/2 x 16ga.
19	H-18601-1	Cable - Gen. Motor 4-Pin 8"
20	A-22026	Motor 2 Opto PCB Assembly
21	4008-01168-05	Mach. 8-32 x 5/16"
22	4108-01013-08	Sh. Metal Screw: #8 x 3/8"
23	03-9255-3	Spacer #8, .541 Long
24	A-16120	D.C. Motor Control Assembly

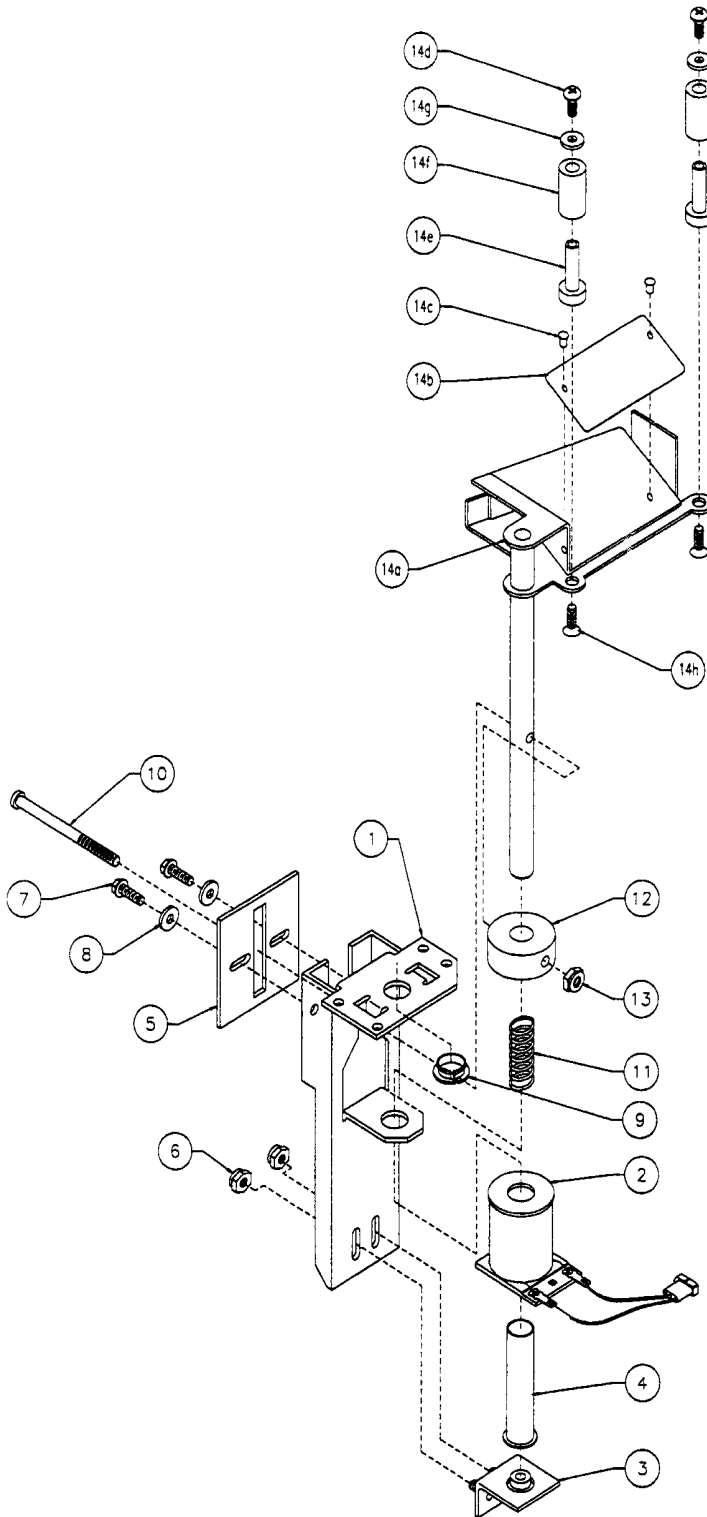
* Not available for individual sale. Order Decal Set 31-2957.

A-21988 Loop Assembly



Item	Part Number	Description
1	04-10954	Loop Assembly
2	A-16908	Opto LED Assembly
3	A-16909	Opto Photo Transistor Assembly
4	04-10910-1	Coil Bracket
5	AE-27-1200	Coil Assembly
6	03-7067	Coil Tubing
7	A-17767	Bell Armature Assembly
8	23-6420	Rubber Grommet
9	10-135	Plunger Spring
10	4408-01119-01	Nut 8-32 ESN/NTM
11	4106-01013-06	Sh. Metal Screw: #6 x 3/8"
12	23-6823	Rectangular Bumper Pad
13	H-17607-5	Inline Opto Cable

A-22010 Floating Ramp Coil & Bracket Assembly

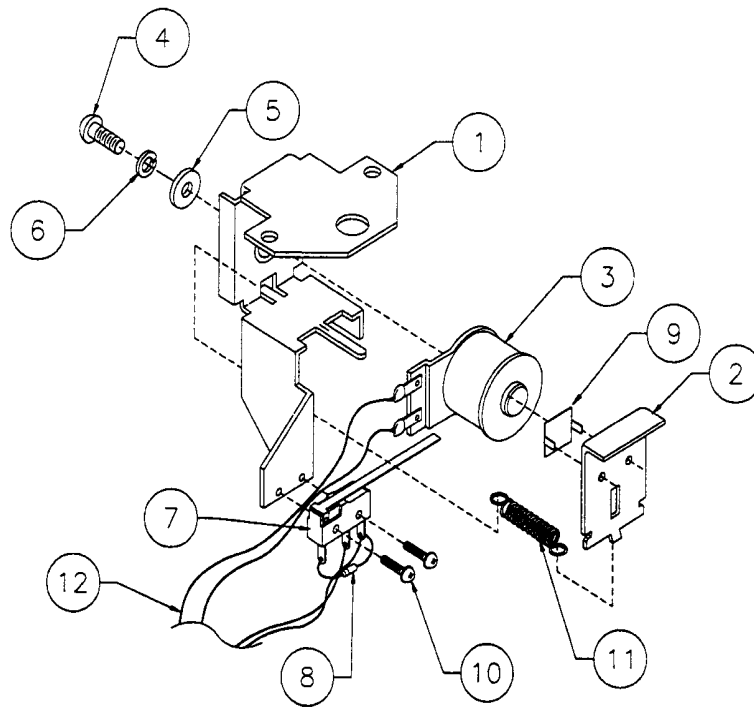


Item	Part Number	Description
1	04-10965.1	Floating Ramp Bracket
2	LE-23-1300	Coil Sub Assembly Thermal
3	04-10911-4	5/8 Coil Centering Bracket
4	03-7066-5	Coil Tubing
5	01-14731	Adjusting plate
6	4408-01119-01	Nut 8-32 ESNA
7	4008-01168-08	Mach. Screw: 8-32 x 1/2"
8	4700-00011-00	Flat Washer: 11/64 x 7/16 x 16ga.
9	20-8790-5	Nyliner Bearing

Associated Assemblies:

10	02-5323	Mod CS 10-32 x 2-1/2"
11	10-523	Spring - Floating Ramp
12	02-5322	Adjusting Collar
13	4410-01132-01	Nut 10-32 ESNA
14	A-22200	Floating Ramp Assembly
a)	04-10964.1	Floating Ramp
b)	01-14732	Floating Ramp Flap
c)	07-6688-17N	Rivet: 1/8 x 3/16" Nickel
d)	4008-01003-06	Mach. Screw: 8-32 x 3/8"
e)	02-5321	Post 8-32
f)	23-6824	Bumper Sleeve
g)	4700-00011-00	Flat Washer: 11/64 x 7/16 x 16ga.
h)	4008-01041-06	Mach. Screw: 8-32 x 3/8"

A-22016 Lift Coil Bracket Assembly

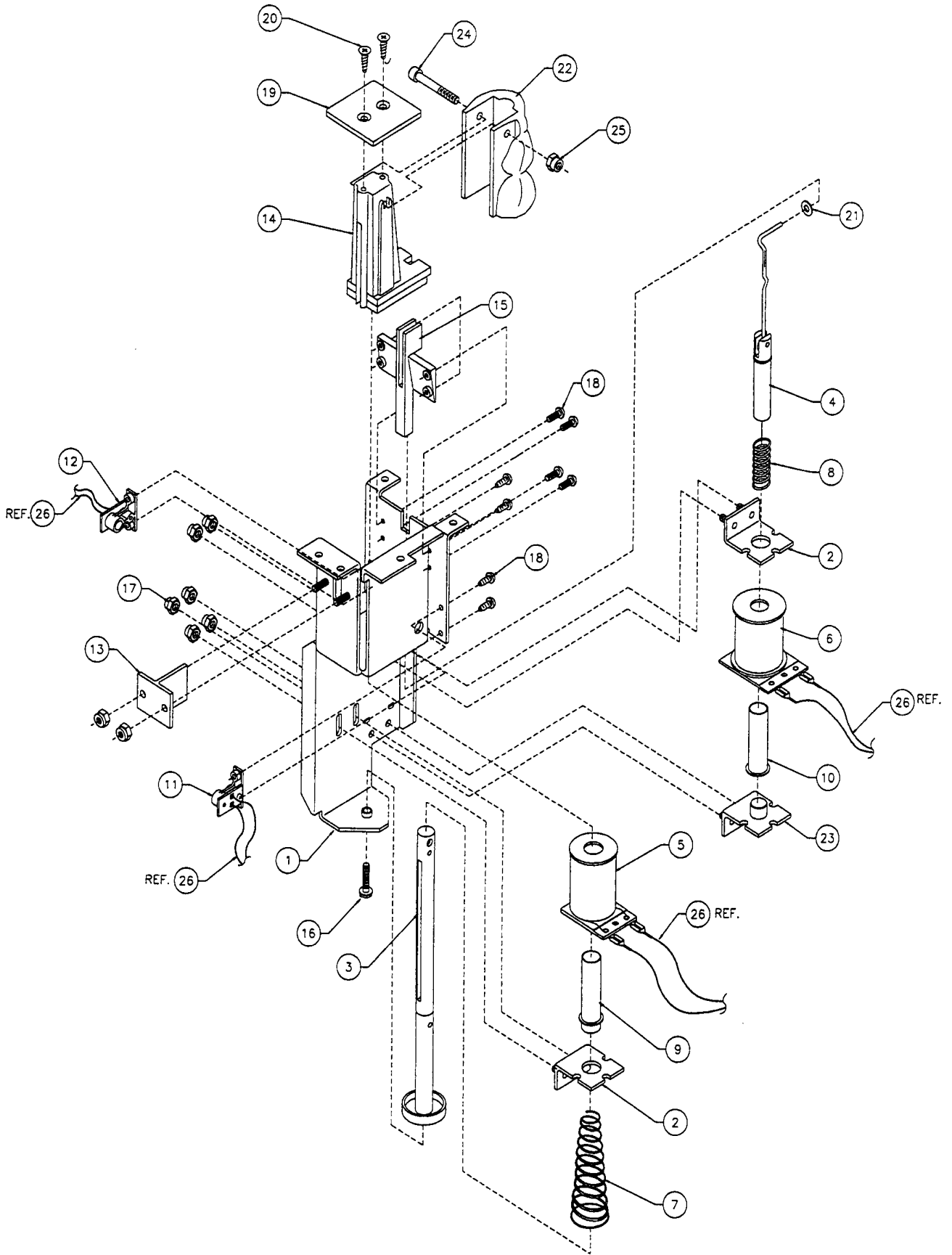


Item	Part Number	Description
1	04-10974.1	Lift Ramp Coil Bracket
2	01-14739	Lift Ramp Catch
3	SM1-28-900-DC	Coil Assembly
4	4008-01021-07	Mach. Screw: 8-32 x 7/16"
5	4700-00089-00	Flat Washer: 11/64 x 7/16 x 16ga.
6	4701-00003-00	Lockwasher # 8 Split
7	5647-12693-31	Sub Mini Micro Switch
8	5070-09054-00	Diode 1N4004 1.0A.
9	01-6376	Residual Plate
10	4002-01105-06	Mach. Screw: 2-56 x 3/8"
11	10-120	Armature Spring
12	H-22209	Cable

A-21815-1 & A-21815-2 Gopher Assembly

Item	Part Number	Description
1	04-10924.1	Gopher Bracket
2	04-10911-1	Coil Bracket
3	A-21814	Gopher Plunger Assembly
4	A-21816	Release Assembly
5	LE-23-1300	Coil Sub- Assembly
6	AE-30-2000	Coil Sub-Assembly
7	10-518	Compression Spring
8	10-135	Plunger Spring
9	03-7067-6	Coil Tubing
10	03-7066	Coil Tubing
11	A-16908	Opto LED Assembly
12	A-16909	Opto Photo Transistor Assembly
13	03-9805	Guide-Release
14	03-9806.1	Latch
15	03-9807	Guide - Latch
16	4008-01113-12	Mach. Screw: 8-32 x 3/4"
17	4408-01119-01	Nut 8-32 ESNA
18	4106-01013-06	Sh. Metal Screw: #6 x 3/8"
19	01-14801.1	Cap - Gopher
20	4108-01042-08	Sh. Metal Screw: #8 x 1/2"
21	4700-00013-00	Flat Washer: 11/64 x 3/8 x 20ga.
22	31-2955	Gopher - Buzz (<i>used w/A-21815-1</i>)
	31-2956	Gopher - Bud (<i>used w/A-21815-2</i>)
23	04-10911-4	Coil Bracket
24	02-5439	Mach. Screw: 8-32 Soc. Hd. Cap Modified
25	4410-01129-00	Nut 8-32 ESNA
26	H-22161	Cable

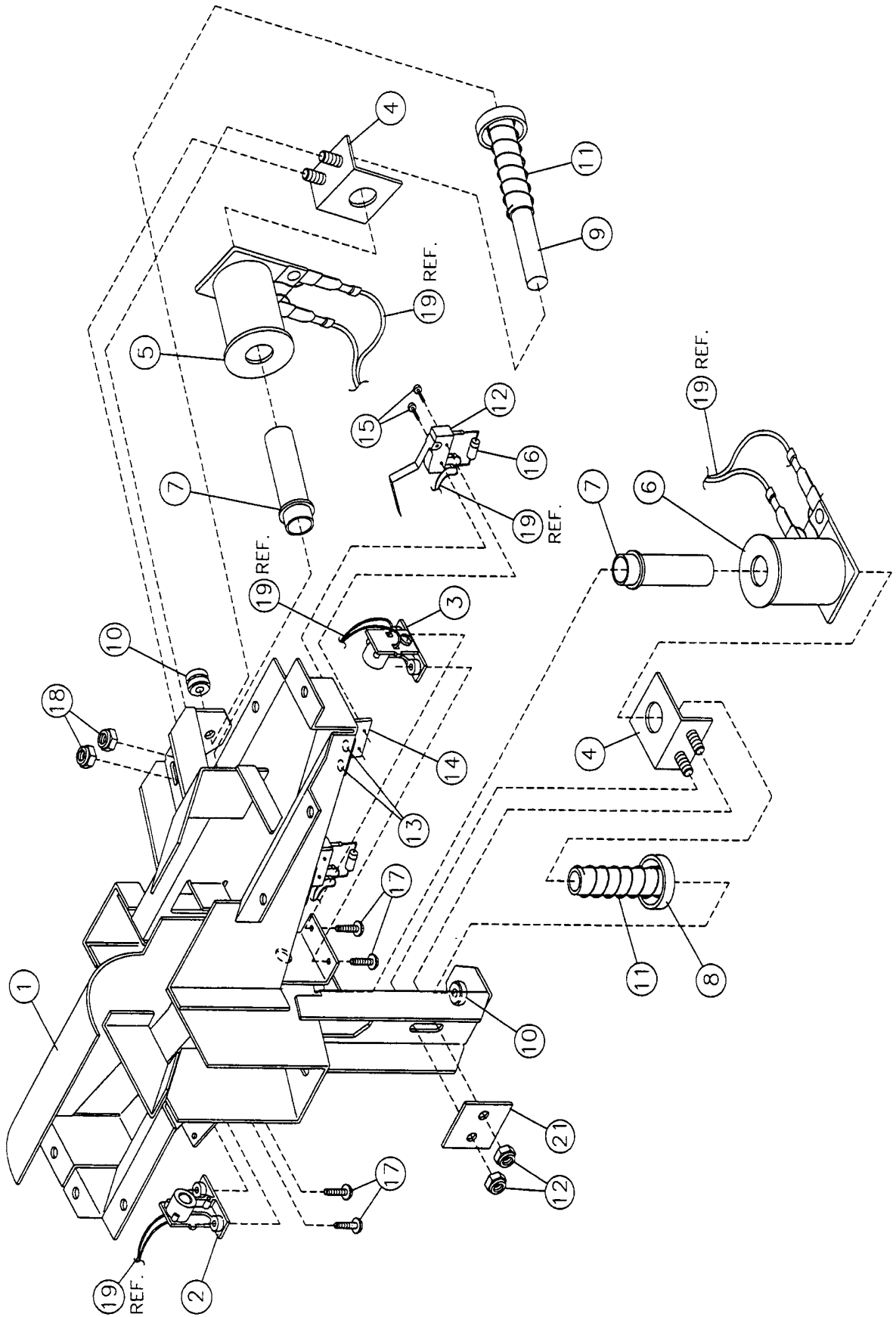
A-21815-1 & A-21815-2 Gopher Assembly



A-21989 Backtrap Assembly

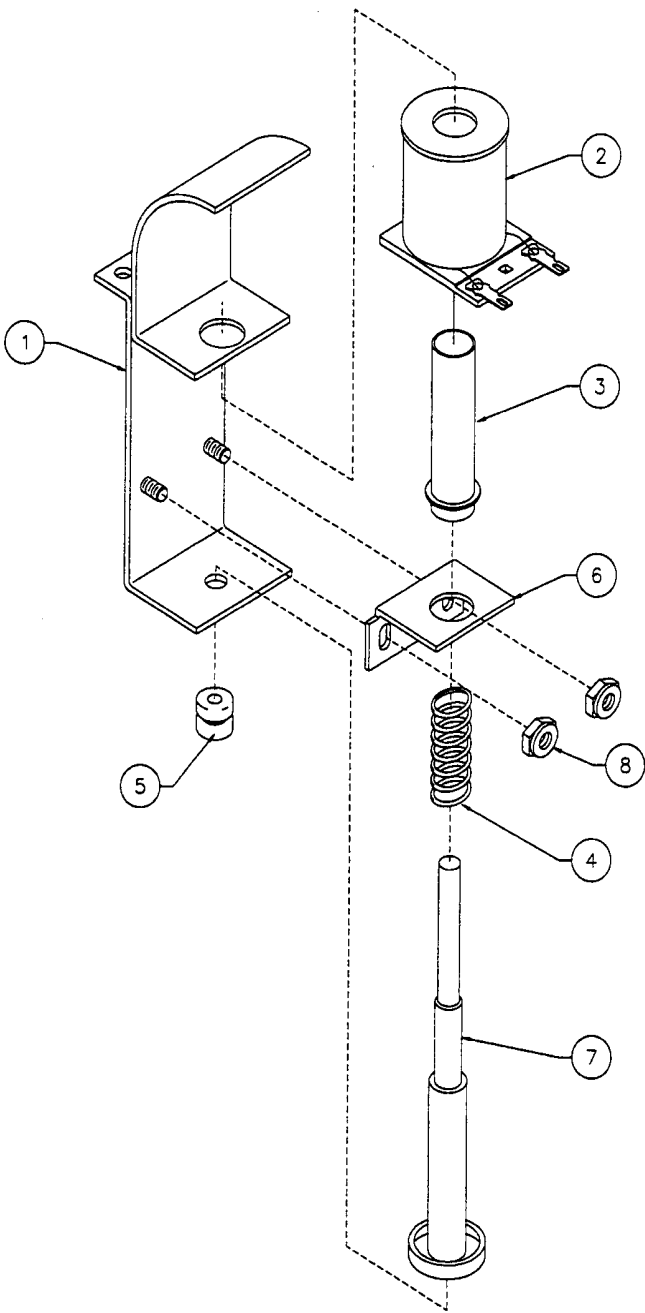
Item	Part Number	Description
1	04-10955.4	Backtrap
2	A-16908	Opto LED Assembly
3	A-16909	Opto Photo Transistor Assy.
4	04-10910-1	Coil Bracket
5	AE-27-1200	Coil Assembly
6	AE-23-800	Coil Assembly
7	03-7067	Coil Tubing
8	A-17767	Bell Armature Assembly
9	04-10962	Bell Armature Assembly
10	23-6420	Rubber Grommet
11	10-135	Plunger Spring
12	5647-12693-13	Sub Mini Micro Switch
13	07-6688-17N	Rivet: 1/8 x 5/32 Nickel
14	01-8774	Switch Bracket
15	4002-01105-06	Mach. Screw: 2-56 x 3/8"
16	5070-09054-00	Diode 1N4004 1.0A.
17	4106-01013-06	Sh. Metal Screw: #6 x 3/8"
18	4408-01119-01	Nut 8-32 ESNA NTM
19	H-22162.1	Cable
20	03-9454	Cable Tie 4" long
21	01-14832	Backup Plate

A-21989 Backtrap Assembly

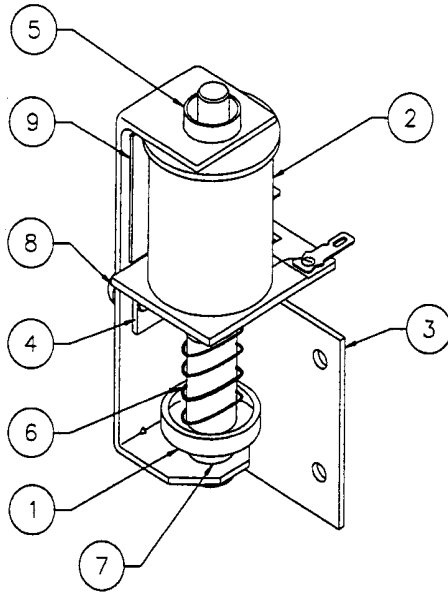


A-20496-1 Eject Assembly

Item	Part Number	Description
1	04-10217.1	Eject Bracket Assembly
2	AE-24-900	Coil Assembly
3	03-7067	Coil Tubing
4	10-135	Solenoid Spring
5	23-6420	Rubber Grommet
6	01-9784	Coil Bracket
7	A-17767	Bell Armature Assembly
8	4408-01119-00	Nut 8-32 ESN

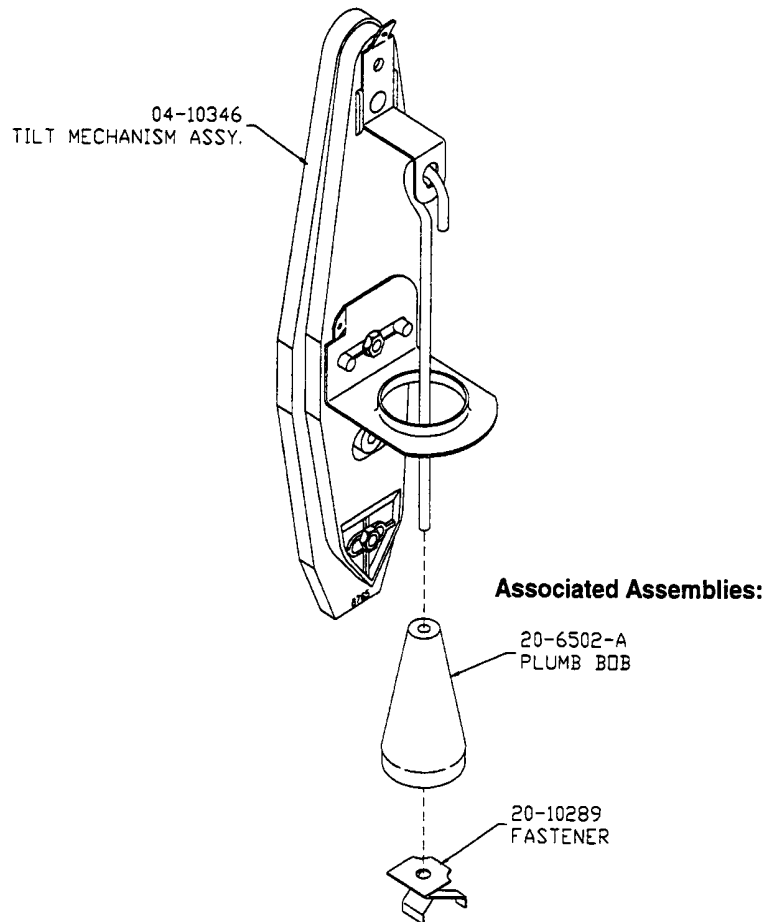


B-11873 Bottom Arch Kicker Assembly

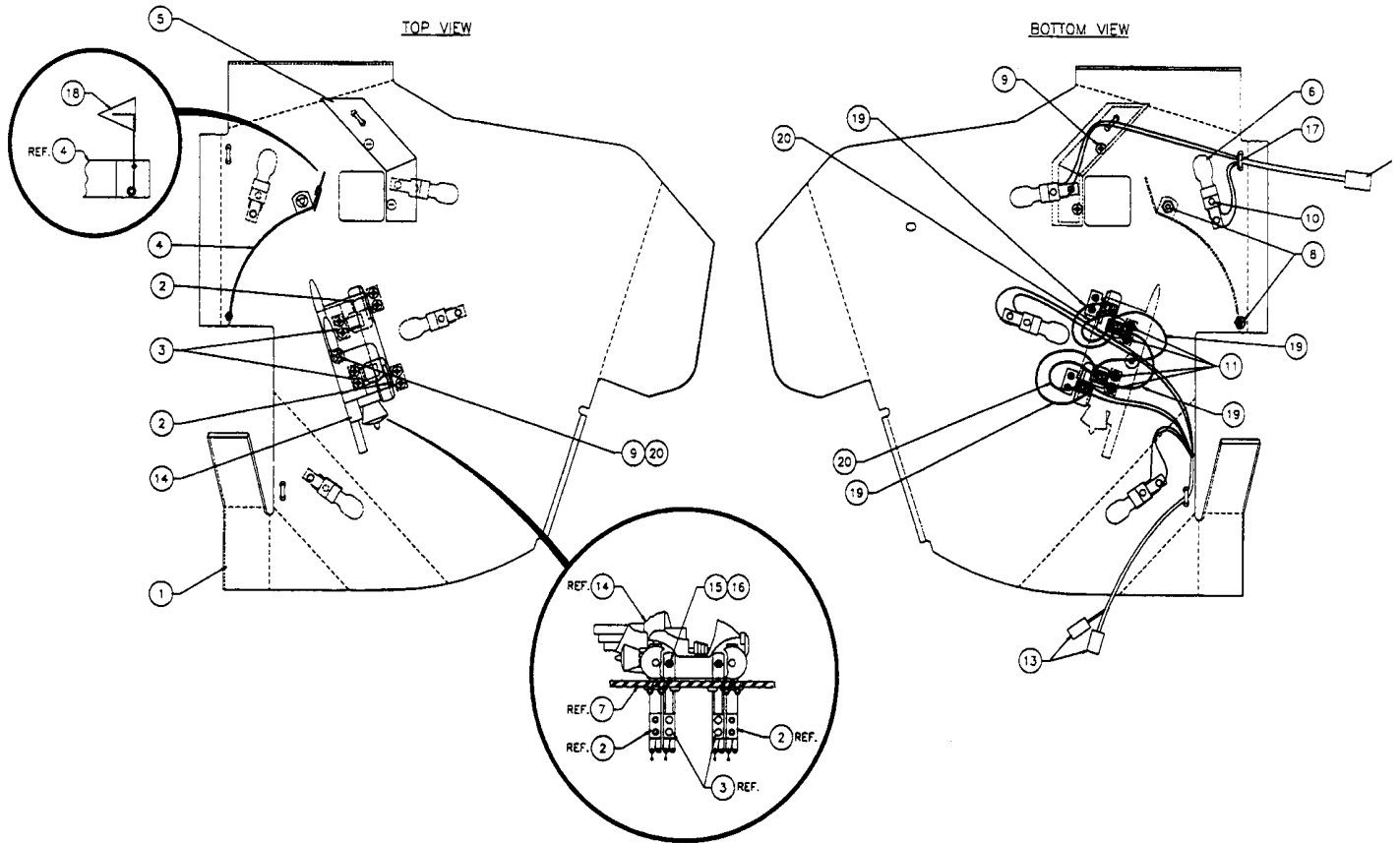


Item	Part Number	Description
1	A-6306-2	Bell Armature Assembly
2	AE-23-800	Coil Sub-Assembly
3	01-11273	Mounting Bracket
4	01-8-508-T	Solenoid Bracket
5	03-7067-5	Coil Tubing
6	10-135	Solenoid Spring
7	23-6420	Rubber Grommet
8	4008-01017-04	Mach. Screw, 8-32 x 1/4"
9	03-8523	Insulator

04-10346 Tilt Mechanism Assembly



A-22030 Mini Playfield Assembly



Item	Part Number	Description	Item	Part Number	Description
1	31-3063.4	Mini-Playfield Screened	11	4008-01005-08	Mach. Screw, 8-32 x1/2"
2	A-22224-4	Standup Target Assy. Rd. 3/16"	12	H-22159-1	Mini Playfield Cable-Right
3	A-22222	Golf Cart Switch Assembly	13	H-22159-2	Mini Playfield Cable-Left
4	A-22223	Mini Playfield Ball Guide Assy.	14	31-3070	Golf Cart
5	03-9837	Deflector – Mini Playfield	15	4005-01005-08	Mach. Screw, 5-40 x 1/2"
6	A-17802	Socket & #906 Bulb Assy.	16	4405-01119-00	Nut 5-40 ESNA
7	4008-01041-00	Mach. Screw, 8-32 x 3/8"	17	03-9454	Cable Tie 4" Long
8	4408-01119-01	Nut 8-32 ESNA/NTM	18	31-3096	Decal Flag
9	4108-01013-08	Sh. Metal Screw, #8 x 1/2"	19	17-1141-4	18AWG Jumper Wire Cit 4"
10	07-6688-21N	Rivet, 1/8 x 9/32"	20	4700-00011-00	Flat Washer, 11/64 x 7/16 x 16ga.

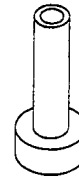
Posts



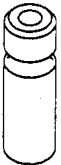
02-4678
Double Bumper Post #10
Qty.: 4



02-4425-2
Post #8-32/#8-32
Qty.: 4



02-5321
Post #8-32 X 8-32
Qty.: 2



02-4434
Post #8
Qty.: 2



02-4660
Mini-Post Single Bumper
Qty.: 10



02-5222
Post #10-32 X 3/8"
Qty.: 3



03-8044-13
Mini-Post Clear
Qty.: 5



03-8319-13
Post #8 Starred
Qty.: 3



02-5254
Bumper Post 8-32
Qty.: 4



02-5295-12
Post M-F 8-32 x .75"
Qty.: 4

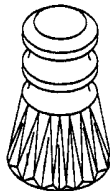
02-5295-16
Post M-F 8-32 x 1"
Qty.: 1

02-5295-20
Post M-F 8-32 x 1.25"
Qty.: 5

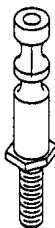
02-5295-24
Post M-F 8-32 x 1.50"
Qty.: 1

02-5295-32
Post M-F 8-32 x 2"
Qty.: 2

02-5295-40
Post M-F 8-32 x 2.50"
Qty.: 1



03-8247-8
Bumper Post Double Starred
Qty.: 6



02-4608
DOUBLE BUMPER POST
Qty.: 3

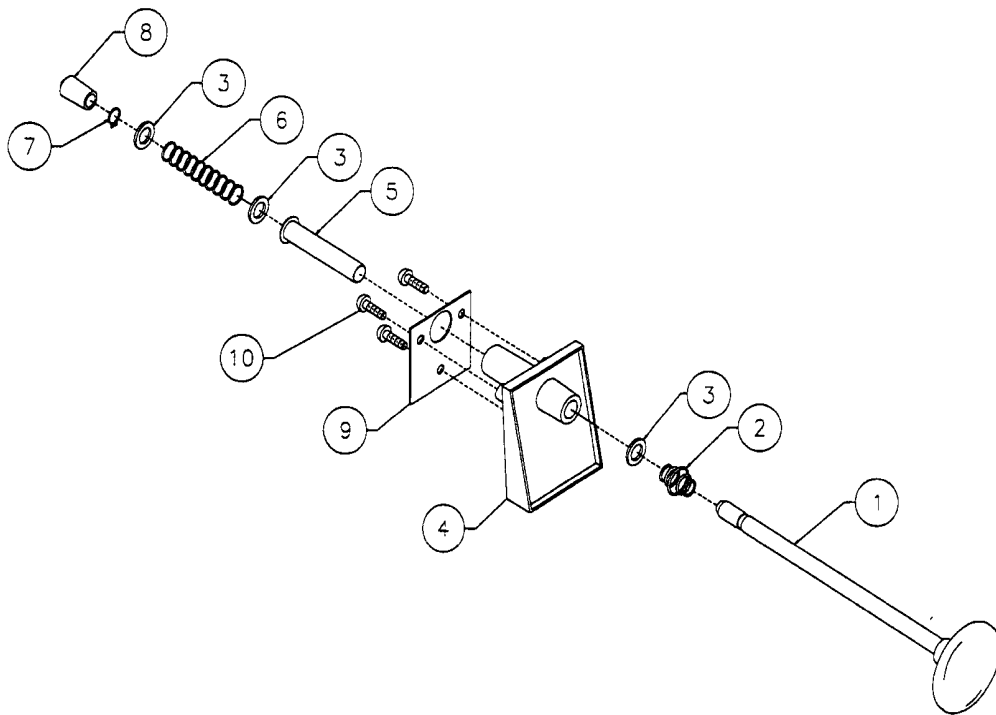


02-4435
Playfield Post
Qty.: 2



03-8365-13
Post #8 Clear
Qty.: 2

B-12445-1 Ball Shooter Rod Assembly

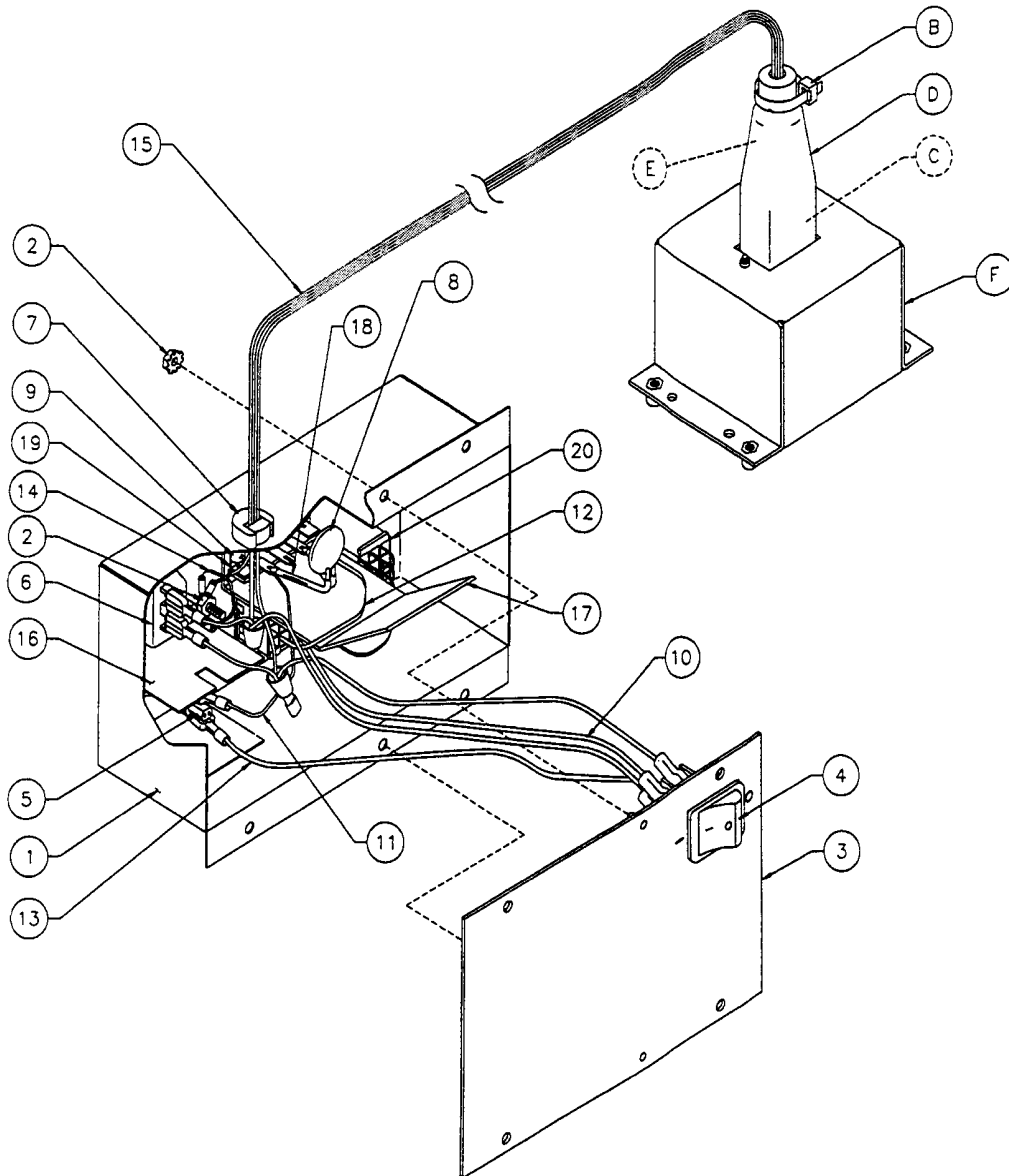


Item	Part Number	Description
1	20-9253-7	Ball Shooter Knob
2	10-149	Shooter Rod Spring
3	4700-00051-00	FW, 25/64 x 5/8 x 16ga.
4	21-6645-1	Shooter Housing
5	03-7357	Shooter Sleeve
6	10-148-1	Power Spring
7	20-8712-37	External Retainer Ring
8	23-6327	Ball Shooter Tip

Associated Assemblies:

9	01-3535	Rod Mounting Bracket
10	4010-01006-10	Mach. Screw: 10-32 x 5/8"

A-20871 Power Interface Assembly



Item	Part Number	Description	Item	Part Number	Description
A	A-20872	Power Control Chassis Assembly	14)	H-17542	Ground Jumper Gm/Yel Cable
1)	04-10292	Power Control Chassis Box	15)	5797-13940-01	Jumper Cable
2)	4406-01128-00	Nut #6-32 KEPS (3)	16)	01-10623	Insulator, Thermistor
3)	01-12294	Switch Mounting Plate Assembly	17)	01-12299	Insulator, Terminal Strip
4)	5642-13935-00	Power Switch	18)	RM-21-06	#18 Vinyl Fgls
5)	5733-14734-00	Fuse Holder Panel (5x20mm)	19)	5822-13865-00	Terminal Strip 3-CKT 2-Mtg.
6)	5851-13867-00	Outlet-IEC Conn. 237 Socket	20)	H-18050	Jumper Cable, Transformer Prog
7)	03-8712	Strain Relief Bushing	B	03-7933	Ty-Wrap Nylon
8)	5016-12978-00	Thermistor 8A., 2.5R25	C	5045-14007-00	Capacitor, 1µF 275v
9)	4006-01003-10	Mach. Screw, #6-32 x 5/8"	D	23-6776-4	Heat Shrink
10)	H-17992	Jumper Cable Neutral Sw/1FC	E	RM-21-06	#18 Vinyl Sleeving
11)	H-17543	Hot Jumper Black Cable	F	A-20873	Line Filter Entry Chassis
12)	H-17546	Jumper Interface Hot Black Cable			
13)	H-17545	Jumper Switch/Fuse Black Cable			

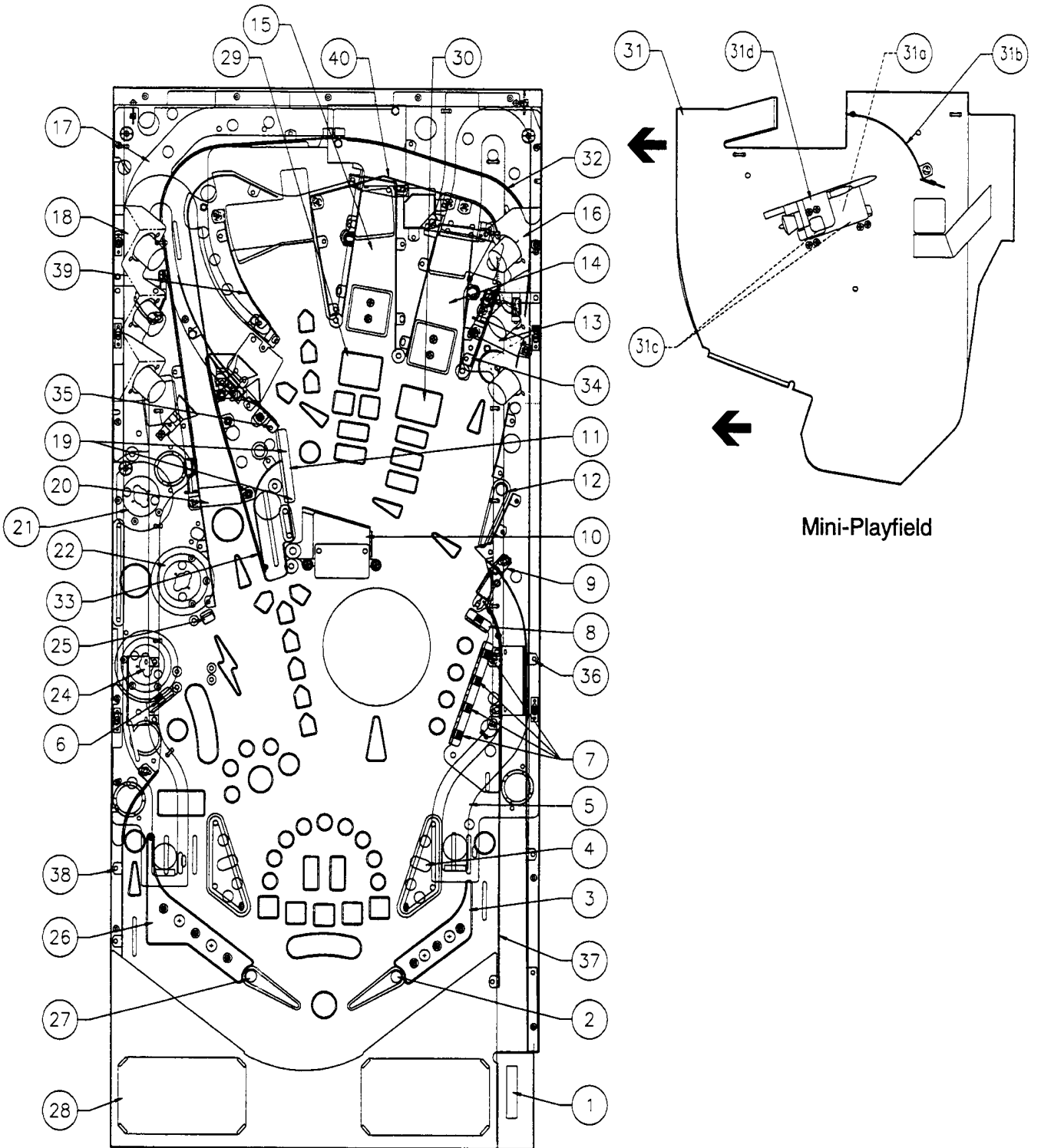
See Page 2-54 for Power Interface/Cordset Application Chart.

Upper Playfield Parts

Item Number	Part Number	Description	Not Shown: Part Number	Description
1	A-22204	Shooter Lane Kicker	A-13204-50061	Bottom Arch Assembly
2	A-14876-R-3 20-10110-6	Lower Right Flipper Flipper Bat w/Shaft-Yellow	A-20496-1	Eject Assembly
3	A-22191-1	Right Flipper Ball Guide	A-21786	Driven Disk Assembly
4	A-17811	Slingshot Assembly	A-21988	Loop Assembly
5	A-21754	Right Plastic Ramp	A-21989	Backtrap Assembly
6	A-15330-6	Yellow Standup Target	A-22022	Right Popper Assembly
7	B-12039-16	Orange Standup Target	B-12445-1	Ball Shooter Assembly
8	A-17799-4	Red Standup Target	03-8633	Level Mount
9	A-14372	Ball Gate Assembly	04-10005	Newton Ball Assembly
10	A-22200 A-22010	Floating Ramp Assembly Floating Ramp Brkt & Coil	20-9691	Level
11	A-17795-6	Yellow Standup Target	24-8825	#545 Bulb
12	A-15849-R 20-10110-6	Upper Right Flipper Flipper Bat w/Shaft-Yellow	24-8861	Wedge Base Socket
13	A-22037-2	Spinner Target	31-1357-50061	Screened Backglass
14	A-22018	Right Lift Ramp		
15	A-22017	Left Lift Ramp		
16	A-22199-1	Right Step Flashers		
17	A-21753	Left Plastic Ramp		
18	A-22199-2	Left Step Flashers		
19	A-17799-6	Yellow Standup Target		
20	A-22037-2	Spinner Target		
21	B-9414 B-12030-2 A-22205-2	White Jet Bumper Jet Bumper Switch Jet Coil Assembly		
22	B-9414-3 B-12030-2 A-22205-2	Red Jet Bumper Jet Bumper Switch Jet Coil Assembly		
23	A-17795-1	Blue Standup Target		
24	B-9414-1 B-12030-2 A-22205-2	Blue Jet Bumper Jet Bumper Switch Jet Coil Assembly		
25	A-17811	Slingshot Assembly		
26	A-22191-2	Left Flipper Ball Guide		
27	A-15849-L-2 20-10110-6	Lower Left Flipper Flipper Bat w/Shaft-Yellow		
28	B-11873	Bottom Arch Kicker		
29	A-21815-2	Left Gofer Assembly		
30	A-21815-1	Right Gofer Assembly		
31	A-22030	Mini Playfield		
31a	A-22222	Golf Cart Switches		
31b	A-22223	Ball Guide Assembly		
31c	A-22224-4	Red Standup Targets		
31d	31-3070	Golf Cart		
32	04-10966.2	Ball Guide #1		
33	04-10967.1	Ball Guide #2		
34	04-10968.2	Ball Guide #4		
35	04-10969	Ball Guide #6		
36	04-10970.1	Ball Guide #8		
37	04-10971	Ball Guide #9		
38	04-10972	Ball Guide #10		
39	04-10997	Ball Guide #5		
40	04-10998	Ball Guide #3		

*The *NO GOOD GOPHERS* hardcoat playfield does not require a full Mylar. However, mylars can be purchased through your local WILLIAMS Distributor.

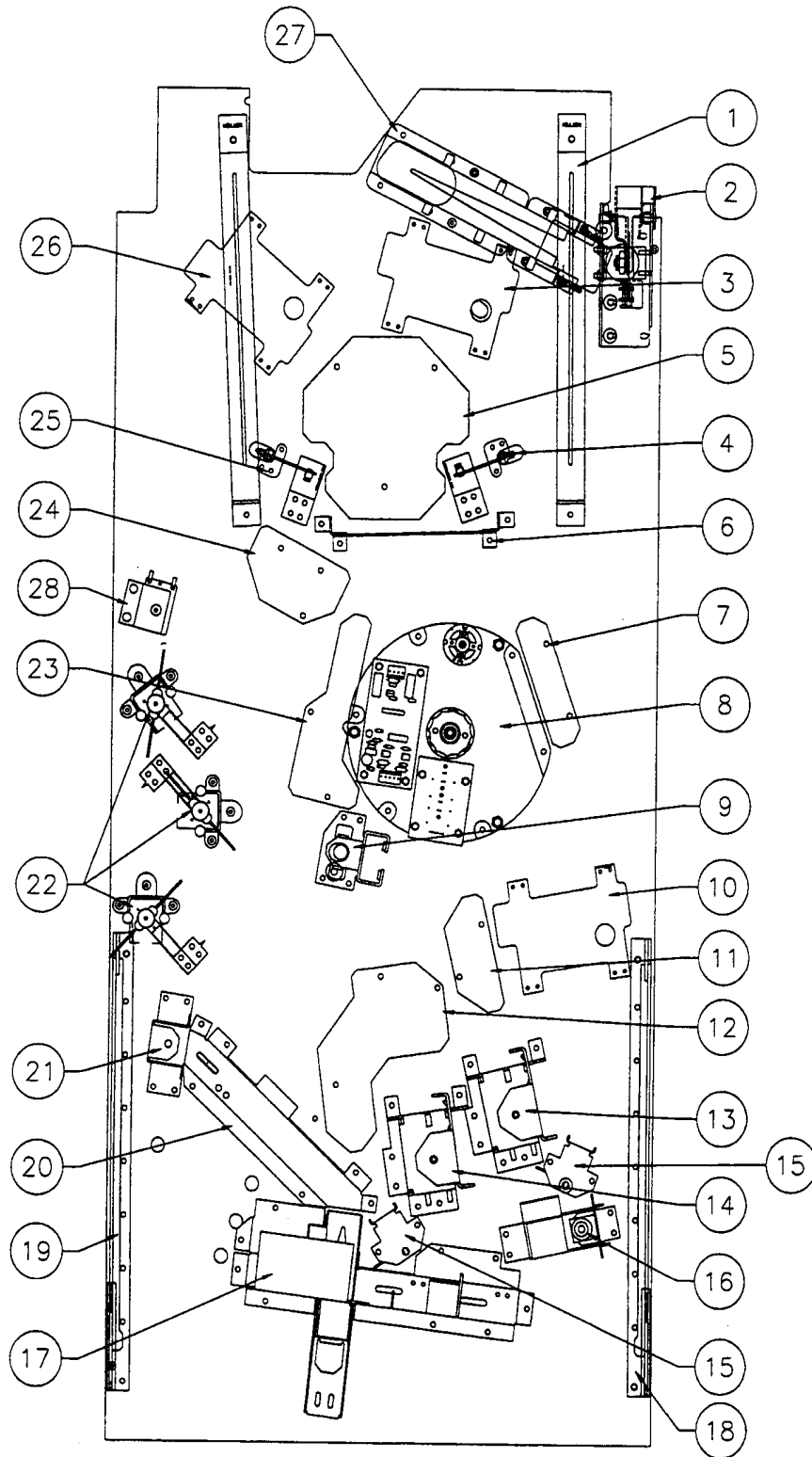
Upper Playfield Parts Locations



Lower Playfield Parts

Item	Part Number	Description
1	01-11781	Support Bracket (2)
2	A-22204	Shooter Lane Kicker Assembly
3	A-14876-R-3	Flipper Assembly Complete
4	A-22206-2	Coil & Bracket Assembly
5	A-22038	16-Lamp PCB Assembly
6	A-22019-2	16-Opto PCB Assembly
7	A-22042	4-Lamp PCB Assembly
8	A-21786	Drive Disc Assembly
9	A-22010	Floating Ramp Assembly
10	A-15849-R	Flipper Assembly Complete
11	A-22043	4-Lamp PCB Assembly
12	A-22041	10-Lamp PCB Assembly
13	A-21815-1	Gopher Assembly, Right
14	A-21815-2	Gopher Assembly, Left
15	A-22016	Lift Coil Bracket Assembly
16	A-22022	Right Popper Assembly
17	A-21989	Backtrap Assembly
18	A-17749.1-2	Slide Playfield Assembly, Right
19	A-17749.1-1	Slide Playfield Assembly, Left
20	A-21987	Trough Assembly
21	A-21988	Loop Assembly
22	A-22205-2	Jet Coil & Bracket Assembly (3)
23	A-22039	7-Lamp PCB Assembly
24	A-22040	6-Lamp PCB Assembly
25	A-22207-2	Coil & Bracket Assembly
26	A-15849-L-2	Flipper Assembly Complete
27	A-18753	Ball Trough Assembly
28	A-20496-1	Sand Trap Eject Assembly

Lower Playfield Parts Locations

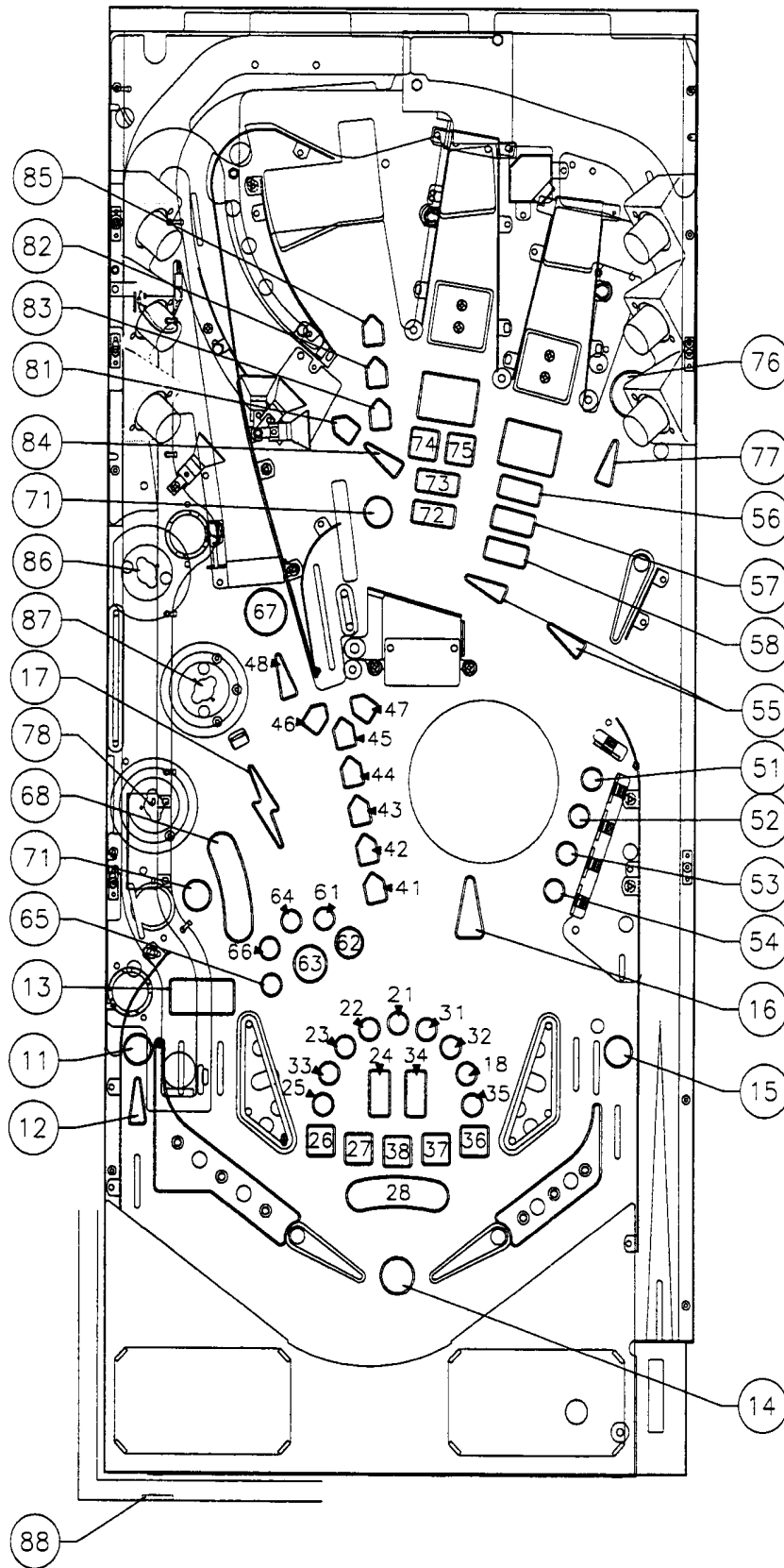


Underside View of Playfield, Viewed in Raised Position

Lamp Locations

Item Number	Lamp Assembly Part Number	Bulb Type	Bulb Part Number	Socket Part Number	Description
11	A-17835	#44	24-6549	Not Sold Separate	OUTLANE EXTRA BALL
12	A-17835	#44	24-6549	Not Sold Separate	KICKBACK
13	A-17835	#44	24-6549	Not Sold Separate	LOWER DRIVING RANGE (2)
14	A-17807	#44	24-6549	Not Sold Separate	SHOOT AGAIN
15	A-17807	#44	24-6549	Not Sold Separate	SPECIAL
16	A-17807	#44	24-6549	Not Sold Separate	WHEEL VALUE
17	A-17835	#44	24-6549	Not Sold Separate	JET LIGHTNING
18	A-17835	#44	24-6549	Not Sold Separate	HOLE 8
21	A-22038	#555	24-8768	24-8767	HOLE 5
22	A-22038	#555	24-8768	24-8767	HOLE 4
23	A-22038	#555	24-8768	24-8767	HOLE 3
24	A-22038	#555	24-8768	24-8767	HIT BUD
25	A-22038	#555	24-8768	24-8767	HOLE 1
26	A-22038	#555	24-8768	24-8767	2X
27	A-22038	#555	24-8768	24-8767	CART PATH 2
28	A-22038	#555	24-8768	24-8767	5X CART PATH (2)
31	A-22038	#555	24-8768	24-8767	HOLE 6
32	A-22038	#555	24-8768	24-8767	HOLE 7
33	A-17835	#44	24-6549	Not Sold Separate	HOLE 2
34	A-22038	#555	24-8768	24-8767	HIT BUZZ
35	A-22038	#555	24-8768	24-8767	HOLE 9
36	A-22038	#555	24-8768	24-8767	4X
37	A-22038	#555	24-8768	24-8767	CART PATH 4
38	A-22038	#555	24-8768	24-8767	3X
41	A-22039	#555	24-8768	24-8767	DRIVING RANGE
42	A-22039	#555	24-8768	24-8767	INCREASE GOLF CART
43	A-22039	#555	24-8768	24-8767	INCREASE BUZZ VALUE
44	A-22039	#555	24-8768	24-8767	INCREASE BUD VALUE
45	A-22039	#555	24-8768	24-8767	NEWTON DRIVE
46	A-22039	#555	24-8768	24-8767	COLLECT
47	A-22039	#555	24-8768	24-8767	RIP OFF
48	A-17835	#44	24-6549	Not Sold Separate	LEFT LOOP DRIVE
51	A-22042	#555	24-8768	24-8767	(K)ICK
52	A-22042	#555	24-8768	24-8767	K(I)CK
53	A-22042	#555	24-8768	24-8767	KI(C)K
54	A-22042	#555	24-8768	24-8767	KIC(K)
55	A-17835	#44	24-6549	Not Sold Separate	SKILL SHOT
	A-22043	#555	24-8768	24-8767	
56	A-22043	#555	24-8768	24-8767	RELIGHT JACKPOT
57	A-22043	#555	24-8768	24-8767	RIGHT RAMP LOCK
58	A-22043	#555	24-8768	24-8767	RIGHT RAMP DRIVE
61	A-22040	#555	24-8768	24-8767	4 STROKES
62	A-22040	#555	24-8768	24-8767	3 STROKES
63	A-22040	#555	24-8768	24-8767	2 STROKES
64	A-22040	#555	24-8768	24-8767	5 STROKES
65	A-22040	#555	24-8768	24-8767	7 STROKES
66	A-22040	#555	24-8768	24-8767	6 STROKES
67	A-17807	#44	24-6549	Not Sold Separate	LEFT SPINNER
68	A-17807	#44	24-6549	Not Sold Separate	TRAP READY (2)
71	A-17807	#44	24-6549	Not Sold Separate	ADVANCE TRAP
	A-22041	#555	24-8768	24-8767	
72	A-22041	#555	24-8768	24-8767	CENTER DRIVE
73	A-22041	#555	24-8768	24-8767	CENTER LOCK
74	A-22041	#555	24-8768	24-8767	GET T.N.T.
75	A-22041	#555	24-8768	24-8767	CENTER RAISE GOFER
76	A-17807	#44	24-6549	Not Sold Separate	RIGHT SPINNER
77	A-17835	#44	24-6549	Not Sold Separate	RIGHT LOOP DRIVE
78	----	#555	24-8768	24-8776	BOTTOM JET BUMPER
81	A-22041	#555	24-8768	24-8767	SIDE RAMP DRIVE
82	A-22041	#555	24-8768	24-8767	EXTRA BALL
83	A-22041	#555	24-8768	24-8767	MULTIBALL
84	A-22041	#555	24-8768	24-8767	JACKPOT
85	A-22041	#555	24-8768	24-8767	PUTT OUT
86	----	#555	24-8768	24-8776	TOP JET BUMPER
87	----	#555	24-8768	24-8776	MIDDLE JET BUMPER
88	20-9663-16	----	----	----	START BUTTON

Lamp Locations



Solenoid/Flasher Locations

Item Number	Coil or Flasher Assembly Part Number	Coil or Flasher Part Number	Description
01	A-22204	AE-23-800	AUTO FIRE
02	B-11873	AE-23-800	KICKBACK
03	A-21989	AE-23-800	CLUBHOUSE KICKER
04	A-21815-2	LE-23-1300	LEFT GOFER UP
05	A-21815-1	LE-23-1300	RIGHT GOFER UP
06	A-21988	AE-27-1200	JET POPPER
07	A-20496-1	AE-24-900	LEFT EJECT
08	A-22022	AE-26-1200	UPPER RIGHT EJECT
09	A-18753	AE-26-1500	TROUGH EJECT
10	A-22207-2	AE-26-1200	LEFT SLINGSHOT
11	A-22206-2	AE-26-1200	RIGHT SLINGSHOT
12	A-22205-2	AE-26-1200	TOP JET BUMPER
13	A-22205-2	AE-26-1200	MIDDLE JET BUMPER
14	A-22205-2	AE-26-1200	BOTTOM JET BUMPER
15	A-21815-2	AE-30-2000	LEFT GOFER DOWN
16	A-21815-1	AE-30-2000	RIGHT GOFER DOWN
17	A-17802	24-8802	JET FLASHER (#906)
18	----	24-8802	LOWER LEFT FLASHER (#906)
19	A-17802	24-8802	LEFT SPINNER FLASHER (#906)
20	A-17802, A-17983	24-8802, 24-8704	RIGHT SPINNER FLASHER (#906, #89)
21	A-17983	24-8704	LOWER RIGHT FLASHER (#89)
22			NOT USED
23			NOT USED
24	A-21989	AE-27-1200	UNDERGROUND PASS
25	A-17802	24-8802	SAND TRAP FLASHER (#906)
26	A-17802	24-8802	WHEEL FLASHER (#906)
27	A-22016	SM1-28-900	LEFT RAMP DOWN
28	A-22016	SM1-28-900	RIGHT RAMP DOWN

Flippers

Item	Coil Assembly Part Number	Coil Part Number	Description
29-30	A-14876-R-3	FL-11629	LOWER RIGHT FLIPPER
31-32	A-15849-L-2	FL-11629	LOWER LEFT FLIPPER
33-34	A-15849-R	FL-11630	UPPER RIGHT FLIPPER
35	A-22010	LE-23-1300-T	BALL LAUNCH RAMP
36			NOT USED

Auxiliary

Item	Flasher Assembly Part Number	Flasher Part Number	Description
42	A-22199-1	24-8802	UPPER RIGHT 1 FLASHER (#906)
43	A-22199-1	24-8802	UPPER RIGHT 2 FLASHER (#906)
44	A-22199-1	24-8802	UPPER RIGHT 3 FLASHER (#906)
45	A-22030	24-8802	UPPER PLAYFIELD RIGHT (#906, 2 BULBS)
46	A-22030	24-8802	UPPER PLAYFIELD LEFT (#906, 2 BULBS)
47	A-22199-2	24-8802	UPPER LEFT 3 FLASHER (#906)
48	A-22199-2	24-8802	UPPER LEFT 2 FLASHER (#906)
49	A-22199-2	24-8802	UPPER LEFT 1 FLASHER (#906)

Motor

Item	Assembly Part Number	PC Board Part Number	Device Part Number	Description
37	----			WHEEL SPIN (counter clock-wise)
38	----	SEE BELOW	14-7955-1	WHEEL SPIN (clock-wise)

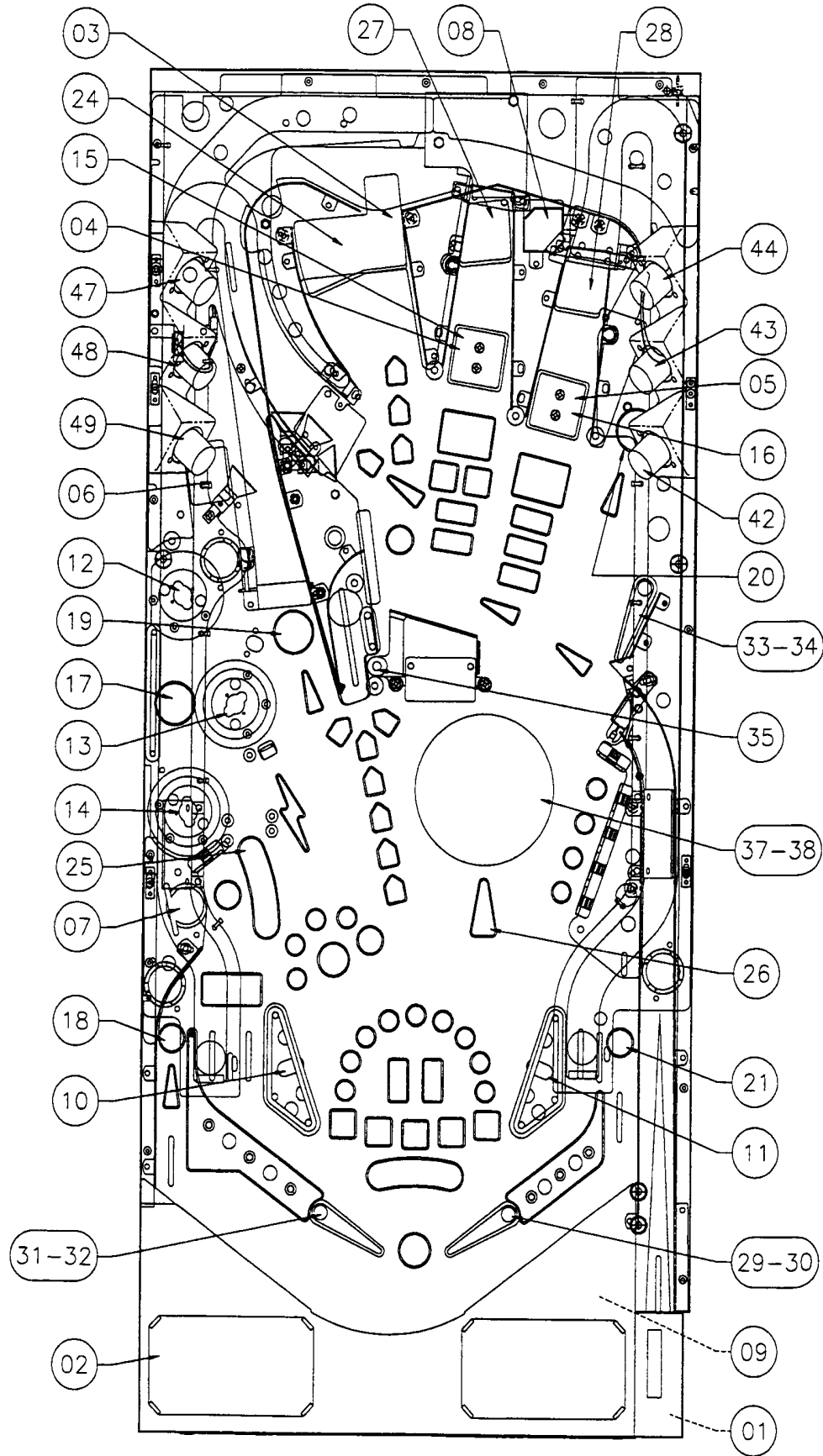
General Illumination

Item	Bulb Number	Bulb Type	Description
01	24-8768, 24-8825	#555, #545	LEFT SIDE STRING
02	24-8768, 24-8825	#555, #545	RIGHT SIDE STRING
03	24-8768, 24-8825	#555, #545	GOFER SPOTLIGHT (Insert)
	24-6549	#44	GOFER SPOTLIGHT (Playfield)
04	24-6549	#44	ILLUMINATION STRING 4
05	24-6549	#44	ILLUMINATION STRING 5

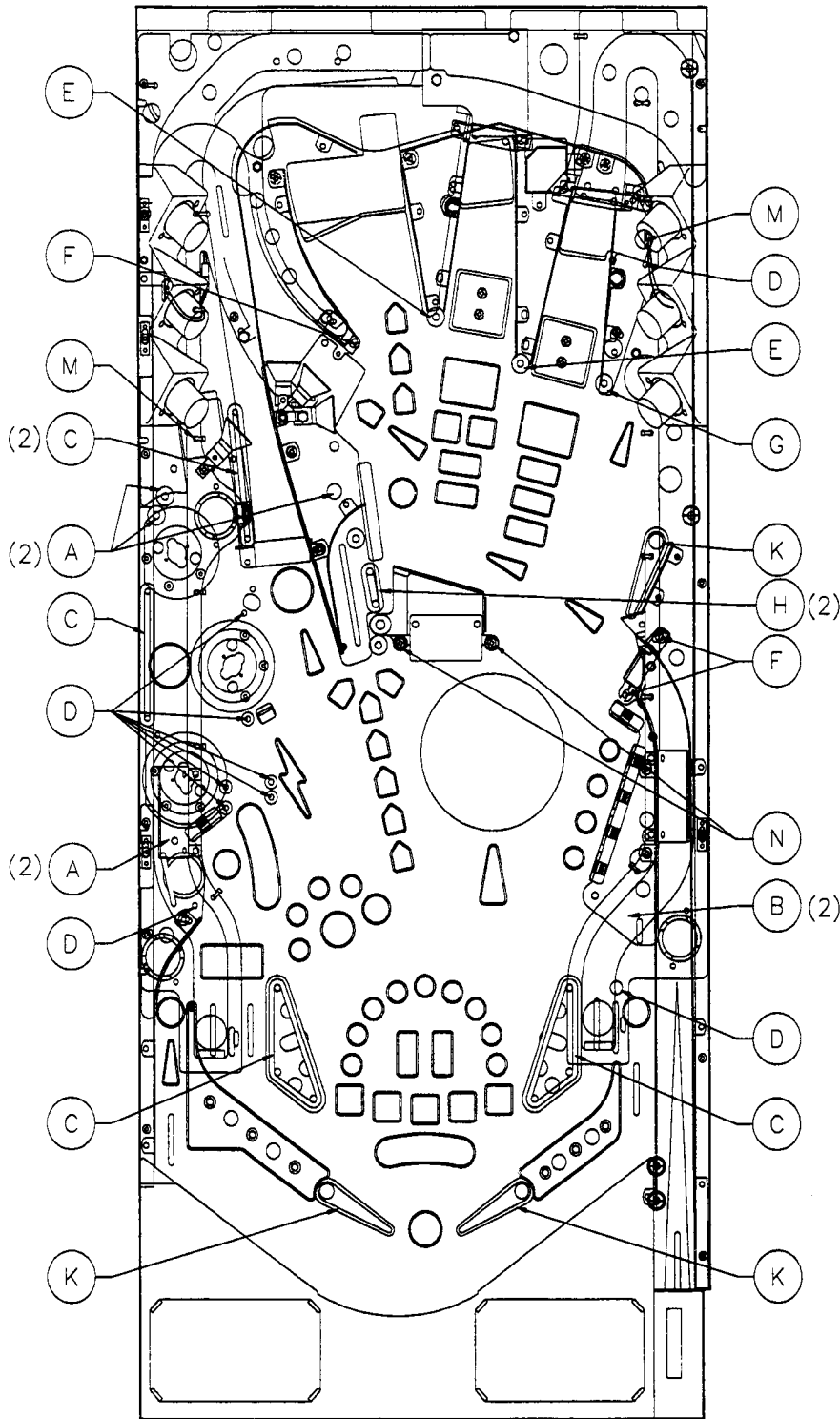
24-6549 = #44 BULB; 24-8768 = #555 BULB; 24-8802 = #906 BULB

The WHEEL SPIN solenoids use two PC boards:
 DC Motor Control Board, A-16120
 Motor 2-Opto Board, A-22026

Solenoid/Flasher Locations

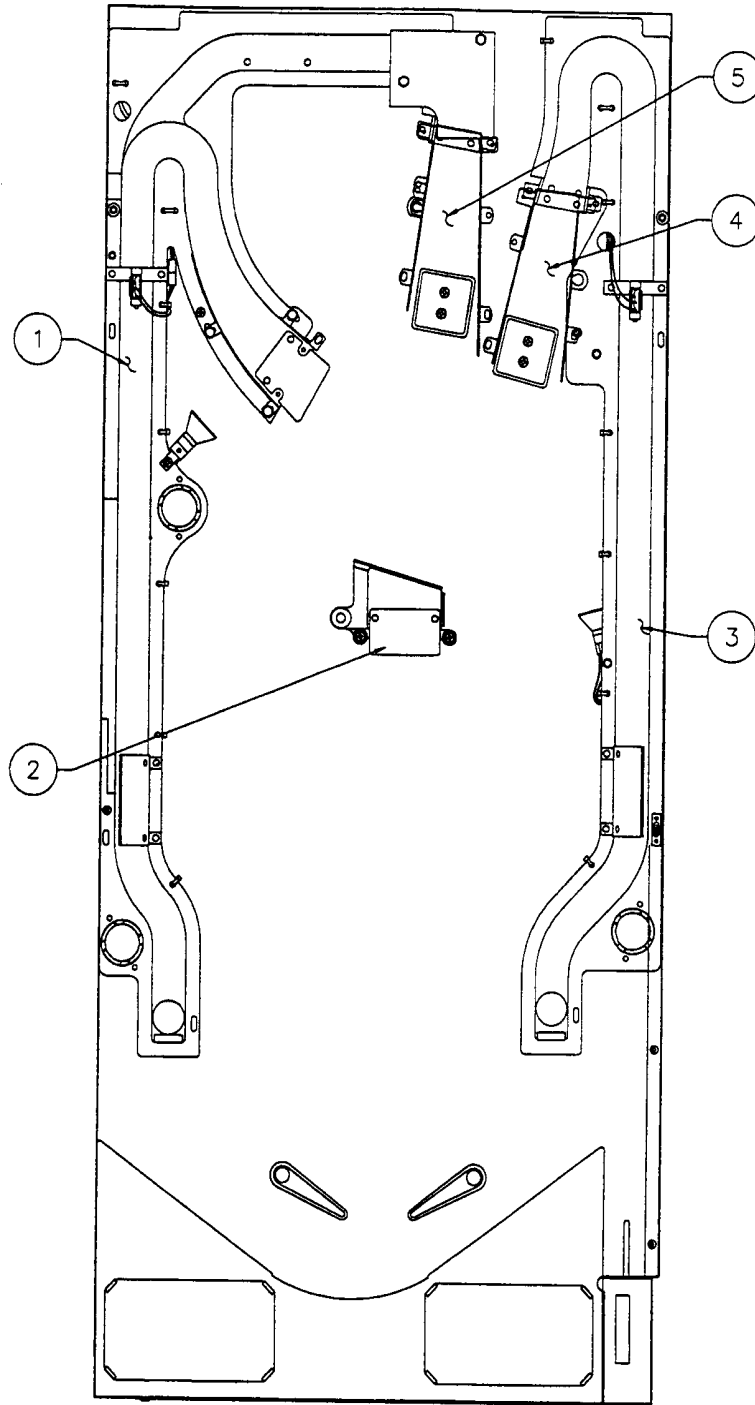


Rubber Rings



Item No.	Part No.	Description	Quantity
A	23-6300	White Rubber Ring 5/16"	8
B	23-6303	White Rubber Ring 1-1/4"	2
C	23-6305	White Rubber Ring 2"	6
D	23-6535	White Rubber Grommet	10
E	23-6552	Yellow Rubber Bumper Sleeve	2
F	23-6556	Black Rubber Bumper Sleeve	4
G	23-6579-1	Tapered Rubber Bumper	1
H	23-6599	White Rubber Ring 7/16"	2
K	23-6519-4	Red Flipper Rubber Ring	3
M	23-6823	Blue Rectangle Bumper Pad	2
N	23-6824	Gray Rubber Bumper Sleeve	2

Ramp Locations



Item	Part Number	Description
1	A-21753	Left Plastic Ramp
2	A-22200	Floating Ramp Assembly
3	A-21754	Right Plastic Assembly
4	A-22018	Right Lift Ramp Assembly
5	A-22017	Left Lift Ramp Assembly

Switch Locations

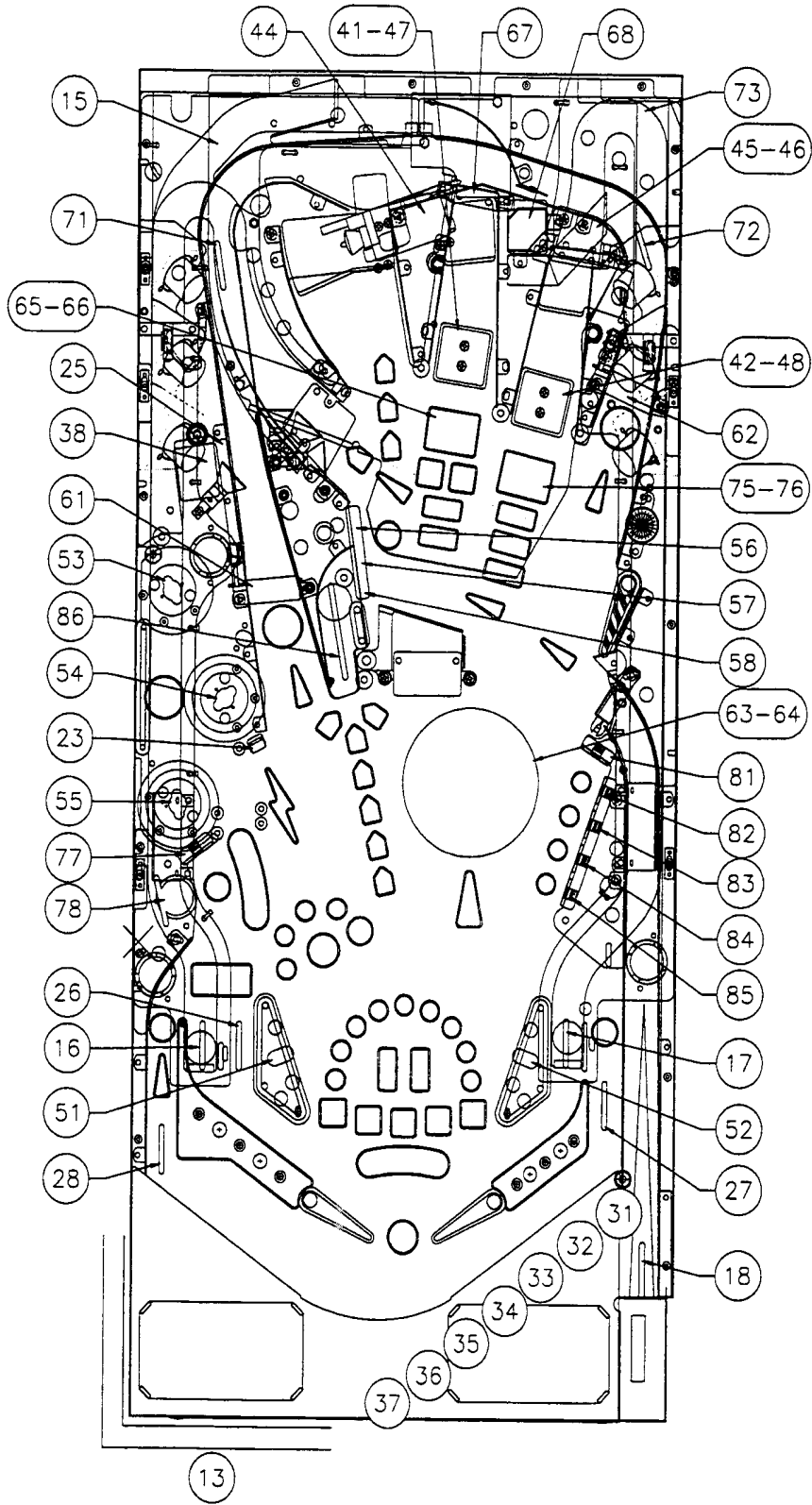
Item Number	Switch Assembly Part Number <i>OR</i> Opto Assembly Part Number	Switch Part Number	Description
F1	----	SW-1A-194	*LOWER RIGHT FLIPPER E.O.S.
F2	A-17316	----	*LOWER RIGHT FLIPPER CABINET
F3	----	SW-1A-194	*LOWER LEFT FLIPPER E.O.S.
F4	A-17316	----	*LOWER LEFT FLIPPER CABINET
F5	----	SW-1A-194	*UPPER RIGHT FLIPPER E.O.S.
F6	A-17316	----	*UPPER RIGHT FLIPPER CABINET
F7	NOT USED	----	UPPER LEFT FLIPPER E.O.S.
F8	NOT USED	----	UPPER LEFT FLIPPER CABINET
11	NOT USED	----	NOT USED
12	----	20-10293	LEFT RAMP MAKE
13	20-9663-16	----	START BUTTON
14	----	04-10346	*PLUMB BOB TILT
15	----	20-10293	CENTER RAMP MAKE
16	A-17813	5647-12693-19	LEFT OUTLANE
17	A-17813	5647-12693-19	RIGHT IN-LANE
18	----	5647-12693-68	SHOOTER GROOVE
21	A-17238	----	*SLAM TILT
22	----	5643-09268-00	*COIN DOOR CLOSED
23	A-17795-1	----	JET ADVANCE STANDUP
24	----	5643-15190-00	*ALWAYS CLOSED
25	----	5647-12693-21	UNDERGROUND PASS
26	A-17813-1	5647-12693-19	LEFT IN-LANE
27	A-17813	5647-12693-19	RIGHT OUTLANE
28	A-17813	5647-12693-19	KICKBACK
31	A-18617-1 (LED) A-18618-1 (PHOTO TRANS)	----	TROUGH ELECT
32	A-18617-1 (LED) A-18618-1 (PHOTO TRANS)	----	TROUGH BALL 1
33	A-18617-1 (LED) A-18618-1 (PHOTO TRANS)	----	TROUGH BALL 2
34	A-18617-1 (LED) A-18618-1 (PHOTO TRANS)	----	TROUGH BALL 3
35	A-18617-1 (LED) A-18618-1 (PHOTO TRANS)	----	TROUGH BALL 4
36	A-18617-1 (LED) A-18618-1 (PHOTO TRANS)	----	TROUGH BALL 5
37	A-18617-1 (LED) A-18618-1 (PHOTO TRANS)	----	TROUGH BALL 6
38	A-16908 (LED) A-16909 (PHOTO TRANS)	----	JET POPPER
41	A-16908 (LED) A-16909 (PHOTO TRANS)	----	LEFT GOFER DOWN
42	A-16908 (LED) A-16909 (PHOTO TRANS)	----	RIGHT GOFER DOWN
43	NOT USED	----	NOT USED
44	A-16908 (LED) A-16909 (PHOTO TRANS)	----	PUTT OUT POPPER
45	A-16908 (LED) A-16909 (PHOTO TRANS)	----	RIGHT POPPER JAM
46	A-16908 (LED) A-16909 (PHOTO TRANS)	----	RIGHT POPPER
47	----	5647-12693-31	LEFT RAMP DOWN
48	----	5647-12693-31	RIGHT RAMP DOWN
51	A-17801	A-17800 (KICK) A-17794 (SCORE)*	LEFT SLINGSHOT
52	A-17801	A-17800 (KICK) A-17794 (SCORE)*	RIGHT SLINGSHOT
53	B-12030-2	A-16443	TOP JET BUMPER
54	B-12030-2	A-16443	MIDDLE JET BUMPER
55	B-12030-2	A-16443	BOTTOM JET BUMPER
56	A-17799-6	----	TOP SKILL SHOT
57	A-17795-6	----	MIDDLE SKILL SHOT
58	A-17799-6	----	LOWER SKILL SHOT
61	A-22037-2	5647-12693-24	LEFT SPINNER
62	A-22037-2	5647-12693-24	RIGHT SPINNER
63	A-22026	----	INNER WHEEL OPTO
64	A-22026	----	OUTER WHEEL OPTO

Switch Locations

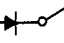
Item Number	Switch Assembly Part Number <u>OR</u> Opto Assembly Part Number	Switch Part Number	Description
65	-----	20-10293	LEFT GOFER 1
66	-----	20-10293	LEFT GOFER 2
67	-----	5647-12693-13	BEHIND LEFT GOFER
68	-----	5647-12693-13	HOLE-IN-ONE MADE
71	A-17813	5647-12693-19	LEFT CART PATH
72	A-17813	5647-12693-19	RIGHT CART PATH
73	-----	20-10293	RIGHT RAMP MADE
74	A-22222 (Qty. 2) A-22224-4 (Qty. 2)	----- -----	GOLF CART
75	-----	20-10293	RIGHT GOFER 1
76	-----	20-10293	RIGHT GOFER 2
77	A-15330-6	-----	ADVANCE TRAP VALUE
78	A-19693	5647-12693-43	SAND TRAP EJECT
81	A-17799-4	-----	K-I-C-K ADVANCE
82	B-12039-15	-----	(K)ICK
83	B-12039-15	-----	K(I)ICK
84	B-12039-15	-----	KI(C) K
85	B-12039-15	-----	KIC(K)
86	A-17813-1	5647-12693-19	CAPTIVE BALL
87	NOT USED	-----	NOT USED
88	NOT USED	-----	NOT USED

*NOT SHOWN. **SCORE SWITCHES HAVE DIODES ATTACHED.

Switch Locations




SWITCH MATRIX

White  Green

DEDICATED GROUNDED SWITCHES	Column	1	2		4	5	6	7	8	FLIPPER GROUNDED SWITCHES
	Row	Green-Brown J206-1 U20-18	Green-Red J206-2 U20-17		Green-White J206-4 U20-15	Green-Black J206-5 U20-14	Green-Blue J206-6 U20-13	Green-Violet J206-7 U20-12	Green-Gray J206-9 U20-11	
Orange-Brown J205-1 LEFT COIN CHUTE U17-5 D1	1 White-Brown J208-1 U18-11	NOT USED 11	SLAM TILT 21	TROUGH EJECT 31	LEFT GOFER DOWN 41	LEFT SLINGSHOT 51	LEFT SPINNER 61	LEFT CART PATH 71	K-I-C-K ADVANCE 81	BLACK-GREEN J208-13 LOWER RIGHT FLIPPER E.O.S. F1
Orange-Red J205-2 CENTER COIN CHUTE U17-7 D2	2 White-Red J208-2 U18-9	LEFT RAMP MAKE 12	COIN DOOR CLOSED 22	TROUGH BALL 1 32	RIGHT GOFER DOWN 42	RIGHT SLINGSHOT 52	RIGHT SPINNER 62	RIGHT CART PATH 72	(K)ICK 82	BLUE-VIOLET J212-12 LOWER RIGHT FLIPPER OPTO F2
Orange-Black J205-3 RIGHT COIN CHUTE U17-11 D3	3 White-Orange J208-3 U18-5	START BUTTON 13	JET ADVANCE STANDUP 23	TROUGH BALL 2 33	NOT USED 43	TOP JET BUMPER 53	INNER WHEEL OPTO 63	RIGHT RAMP MAKE 73	K(I)CK 83	BLACK-BLUE J208-12 LOWER LEFT FLIPPER E.O.S. F3
Orange-Yellow J205-4 4TH COIN CHUTE U17-9 D4	4 White-Yellow J208-4 U18-7	PLUMB BOB TILT 14	ALWAYS CLOSED 24	TROUGH BALL 3 34	PUTT OUT POPPER 44	MIDDLE JET BUMPER 54	OUTER WHEEL OPTO 64	GOLF CART 74	KI(C)K 84	BLUE-GRAY J212-11 LOWER LEFT FLIPPER OPTO F4
Orange-Green J205-6 U16-9 Normal Function Srv Crdts D5	5 White-Green J208-5 U19-11	CENTER RAMP MAKE 15	UNDER-GROUND PASS 25	TROUGH BALL 4 35	RIGHT POPPER JAM 45	BOTTOM JET BUMPER 55	LEFT GOFER 1 65	RIGHT GOFER 1 75	KIC(K) 85	BLACK-VIOLET J208-11 UPPER RIGHT FLIPPER E.O.S. F5
Orange-Blue J205-7 U16-11 Normal Function Volume Dn D6	6 White-Blue J208-7 U19-9	LEFT OUTLANE 16	LEFT IN-LANE 26	TROUGH BALL 5 36	RIGHT POPPER 46	TOP SKILL SHOT 56	LEFT GOFER 2 66	RIGHT GOFER 2 76	CAPTIVE BALL 86	BLACK-YELLOW J212-10 UPPER RIGHT FLIPPER OPTO F6
Orange-Violet J205-8 U16-7 Normal Function Volume Up D7	7 White-Violet J208-8 U19-5	RIGHT IN-LANE 17	RIGHT OUTLANE 27	TROUGH BALL 6 37	LEFT RAMP DOWN 47	MIDDLE SKILL SHOT 57	BEHIND LEFT GOFER 67	ADVANCE TRAP VALUE 77	NOT USED 87	BLACK-GRAY J208-10 UPPER LEFT FLIPPER E.O.S. F7
Orange-Gray J205-9 U16-5 Normal Function Begin Test D8	8 White-Gray J208-9 U19-7	SHOOTER GROOVE 18	KICKBACK 28	JET POPPER 38	RIGHT RAMP DOWN 48	LOWER SKILL SHOT 58	HOLE-IN-ONE MADE 68	SAND TRAP EJECT 78	NOT USED 88	BLACK-BLUE J212-9 UPPER LEFT FLIPPER OPTO F8

J2XX = CPU BOARD

 = OPTO, TYPICALLY CLOSED

LAMP MATRIX

Yellow (B+) 

Red

Column Row	1 Yellow-Brown J121-1 Q96	2 Yellow-Red J121-2 Q100	3 Yellow-Orange J121-3 Q95	4 Yellow-Black J121-4 Q99	5 Yellow-Green J121-5 Q94	6 Yellow-Blue J121-6 Q98	7 Yellow-Violet J121-7 Q93	8 Yellow-Gray J121-9 Q97
1 Red-Brown J125-1 Q104	OUTLANE EXTRA BALL 11	HOLE 5 21	HOLE 6 31	DRIVING RANGE 41	(K)ICK 51	4 STROKES 61	ADVANCE TRAP 71	SIDE RAMP DRIVE 81
2 Red-Black J125-2 Q108	KICKBACK 12	HOLE 4 22	HOLE 7 32	INCREASE GOLF CART 42	K(I)ICK 52	3 STROKES 62	CENTER DRIVE 72	EXTRA BALL 82
3 Red-Orange J125-4 Q103	LOWER DRIVING RANGE 13	HOLE 3 23	HOLE 2 33	INCREASE BUZZ VALUE 43	K(I)CK 53	2 STROKES 63	CENTER LOCK 73	MULTIBALL 83
4 Red-Yellow J125-5 Q107	SHOOT AGAIN 14	HIT BUD 24	HIT BUZZ 34	INCREASE BUD VALUE 44	KIC(K) 54	5 STROKES 64	GET T.N.T 74	JACKPOT 84
5 Red-Green J125-6 Q102	SPECIAL 15	HOLE 1 25	HOLE 9 35	NEWTON DRIVE 45	SKILL SHOT 55	7 STROKES 65	CENTER RAISE GOFER 75	PUTT OUT 85
6 Red-Blue J125-7 Q106	WHEEL VALUE 16	2X 26	4X 36	COLLECT 46	RELIGHT JACKPOT 56	6 STROKES 66	RIGHT SPINNER 76	TOP JET BUMPER 86
7 Red-Violet J125-8 Q101	JET LIGHTNING 17	CART PATH 2 27	CART PATH 4 37	RIP OFF 47	RIGHT RAMP LOCK 57	LEFT SPINNER 67	RIGHT LOOP DRIVE 77	MIDDLE JET BUMPER 87
8 Red-Gray J125-9 Q105	HOLE 8 18	5X CART PATH 28	3X 38	LEFT LOOP DRIVE 48	RIGHT RAMP DRIVE 58	TRAP READY 68	BOTTOM JET BUMPER 78	START BUTTON 88

J1XX = Power Driver Board

SOLENOID/FLASHER TABLE

Sol. No.	Function	Solenoid Type	Voltage Connections			Drive Xistor	Drive Connections			Drive Wire Color	Solenoid Part Number	
			Playfield	Backbox	Cabinet		Playfield	Backbox	Cabinet		Flashlamp Type	Insert
01	AUTO FIRE	High Power	J133-2			Q72	J116-1			VIO-BRN	AE-23-800	
02	KICKBACK	High Power	J133-2	J134-3		Q68	J116-2			VIO-RED	AE-23-800	
03	CLUBHOUSE KICKER	High Power	J133-2			Q71	J116-4			VIO-ORG	AE-23-800	
04	LEFT GOFER UP	High Power	J133-2			Q67	J116-5			VIO-YEL	LE-23-1300	
05	RIGHT GOFER UP	High Power	J133-2			Q70	J116-6			VIO-GRN	LE-23-1300	
06	JET POPPER	High Power	J133-2			Q66	J116-7			VIO-BLU	AE-27-1200	
07	LEFT EJECT	High Power	J133-2			Q69	J116-8			VIO-BLK	AE-24-900	
08	UPPER RIGHT EJECT	High Power	J133-2			Q65	J116-9			VIO-GRY	AE-26-1200	
09	TROUGH EJECT	Low Power	J133-3			Q44	J113-1			BRN-BLK	AE-26-1500	
10	LEFT SLINGSHOT	Low Power	J133-3			Q48	J113-3			BRN-RED	AE-26-1200	
11	RIGHT SLINGSHOT	Low Power	J133-3			Q43	J113-4			BRN-ORG	AE-26-1200	
12	TOP JET BUMPER	Low Power	J133-3			Q47	J113-5			BRN-YEL	AE-26-1200	
13	MIDDLE JET BUMPER	Low Power	J133-3			Q42	J113-6			BRN-GRN	AE-26-1200	
14	BOTTOM JET BUMPER	Low Power	J133-3			Q46	J113-7			BRN-BLU	AE-26-1200	
15	LEFT GOFER DOWN	Low Power	J133-3			Q41	J113-8			BRN-VIO	AE-30-2000	
16	RIGHT GOFER DOWN	Low Power	J133-3			Q45	J113-9			BRN-GRY	AE-30-2000	
17	JET FLASHER	Flasher	J133-6			Q28	J111-1			BLK-BRN	#906	
18	LOWER LEFT FLASHER	Flasher	J133-6			Q32	J111-2			BLK-RED	#906	
19	LEFT SPINNER FLASHER	Flasher	J133-6			Q27	J111-3			BLK-ORG	#906	
20	RIGHT SPINNER FLASHER	Flasher	J133-6			Q31	J111-4			BLK-YEL	#906, #89	
21	LOWER RIGHT FLASHER	Flasher	J133-6			Q26	J111-5			BLU-GRN	#89	
22	NOT USED	Flasher	J133-6			Q30				BLU-BLK		
23	NOT USED	Flasher	J133-6			Q25				BLU-VIO		
24	UNDERGROUND PASS	Flasher	J133-1			Q29	J111-8			BLU-GRY	AE-27-1200	
25	SAND TRAP FLASHER	Gen. Purpose	J133-6			Q16	J109-1			BLU-BRN	#906 (2)	
26	WHEEL FLASHER	Gen. Purpose	J133-6			Q15	J109-2			BLU-RED	#906	
27	LEFT RAMP DOWN	Gen. Purpose	J133-1			Q14	J109-3			BLU-ORG	SM1-28-900	
28	RIGHT RAMP DOWN	Gen. Purpose	J133-1			Q13	J109-4			BLU-YEL	SM1-28-900	

General Illumination

01	LEFT SIDE STRING	G.I.	J105-1			Q5	J105-7			WHT-BRN		#555, #545
02	RIGHT SIDE STRING	G.I.	J105-2			Q4	J105-8			WHT-ORG		#555, #545
03	GOFER SPOTLIGHT	G.I.	J105-3			Q3	J105-9			WHT-YEL	#44	#555, #545
04	*ILLUMINATION STRING 4	G.I.		J106-5		Q2		J106-10		WHT-GRN	#44	
05	*ILLUMINATION STRING 5	G.I.		J106-6	J104-3	Q1		J106-11	J104-1	WHT-VIO	#44	

Flipper Circuits	Solenoid Type	Voltage Connection Playfield	Drive Xistors Power Hold	Drive Connections Playfield	Drive Wire Colors Power Hold	Coil Part No.	Coil Colors
29	Power	J119-1 (RED-GRN)	Q90	J120-13	YEL-GRN		
30	LOWER RIGHT FLIPPER	Hold	J119-1 (RED-GRN)	Q92	J120-11	ORG-GRN	FL-11629 BLUE
31	Power	J119-4 (RED-BLU)	Q87	J120-9	YEL-BLU		
32	LOWER LEFT FLIPPER	Hold	J119-4 (RED-BLU)	Q89	J120-7	ORG-BLU	FL-11629 BLUE
33	Power	J119-6 (RED-VIO)	Q84	J120-6	YEL-VIO		
34	UPPER RIGHT FLIPPER	Hold	J119-6 (RED-VIO)	Q86	J120-4	ORG-VIO	FL-11630 RED
35	BALL LAUNCH RAMP	Power	J119-8 (RED-GRY)	Q81	J120-3	YEL-GRY	LE-23-1300-T YELLOW
36	NOT USED	Hold	J119-8 (RED-GRY)	Q83	J120-1	ORG-GRY	

Motor Circuit	Solenoid Type	Voltage Connections Playfield	Drive Gates	Drive Connections Playfield	Drive Wire Color	Device Part Number Playfield	
37	WHEEL SPIN (counter clock-wise)	Low Power	J139-2	U3A, U3B	J110-1	BRN-WHT	SEE BELOW
38	WHEEL SPIN (clock-wise)	Low Power	J139-2	U3C, U3D	J110-3	ORG-WHT	SEE BELOW

Auxiliary Circuits	Solenoid Type	Voltage Connections Playfield	Drive Transistor	Drive Connections Playfield	Drive Wire Color	Device Part Number Playfield	
42	UPPER RIGHT 1 FLASHER	Flasher	J4-1	Q2	J4-2	BLU-BRN	#906
43	UPPER RIGHT 2 FLASHER	Flasher	J4-1	Q4	J4-3	BLU-RED	#906
44	UPPER RIGHT 3 FLASHER	Flasher	J4-1	Q6	J4-4	BLU-ORG	#906
45	UPPER PLAYFIELD RIGHT	Flasher	J4-1	Q8	J4-5	BLU-YEL	#906 (2)
46	UPPER PLAYFIELD LEFT	Flasher	J4-1	Q10	J4-7	BLU-GRN	#906 (2)
47	UPPER LEFT 3 FLASHER	Flasher	J4-1	Q12	J4-8	BLU-BLK	#906
48	UPPER LEFT 2 FLASHER	Flasher	J4-1	Q14	J4-9	BLU-VIO	#906
49	UPPER LEFT 1 FLASHER	Flasher	J4-1	Q16	J4-10	BLU-GRY	#906

*These general illumination strings do not brighten and dim, they are always on.

J1XX = Power Driver Board

J4-X = Auxiliary 8-Driver Board

24-6549 =	#44 bulb
24-8704 =	#89 bulb
24-8768 =	#555 bulb
24-8802 =	#906 bulb

Tieback Diodes:
J109-8 & J109-9
J111-10 & J111-11

For solenoids #37 and #38:
Motor, 14-7955-1
DC Motor Control Board, A-16120
Motor 2-Opto Board, A-22026

POWER INTERFACE/CORDSET APPLICATION CHART

COUNTRY	UNIVERSAL PWR. INTERFACE ASSEMBLY	VOLTAGE PROGRAMMING JUMP CABLE				4AMP FUSE/ LABEL		5AMP FUSE/ LABEL		LABEL HIGH/ VOLTAGE CAUTION	POWER ADAPTER CORD	CORDSET								
		H-17837-1	H-17837-2	H-17837-3	H-17837-4	5731-14530-00 FUSE	16-10145 LABEL	5731-14046-00 FUSE	16-9698 LABEL			5850-14052-00	5850-13271-00	5850-13272-00	5850-13273-00	5850-13274-00	5850-13275-00	5850-13276-00	5850-13277-00	5850-13278-00
UNITED STATES	X		X					X	X		X									
CANADA	X	X						X	X											
TAIWAN	X		X					X	X											
MEXICO	X		X					X	X											
CENTRAL AMERICA	X		X					X	X											
SOUTH KOREA	X		X					X	X											
PUERTO RICO	X		X					X	X											
AUSTRIA	X			X		X	X			X			X							
BELGIUM	X			X		X	X			X			X							
FINLAND	X			X		X	X			X			X							
FRANCE	X			X		X	X			X			X							
GREECE	X			X		X	X			X			X							
HOLLAND	X			X		X	X			X			X							
HUNGARY	X			X		X	X			X			X							
NETHERLANDS	X			X		X	X			X			X							
NETH. ANTILLES	X			X		X	X			X			X							
NORWAY	X			X		X	X			X			X							
POLAND	X			X		X	X			X			X							
PORTUGAL	X			X		X	X			X			X							
SPAIN	X			X		X	X			X			X							
SWEDEN	X			X		X	X			X			X							
TURKEY	X			X		X	X			X			X							
WEST GERMANY	X			X		X	X			X			X							
UNITED KINGDOM	X			X		X	X			X				X						
IRELAND	X			X		X	X			X				X						
HONG KONG	X			X		X	X			X				X						
DENMARK	X			X		X	X			X					X					
ITALY	X			X		X	X			X						X				
CHILE	X			X		X	X			X						X				
PEOPLE'S REP. OF CHINA	X			X		X	X			X						X				
SWITZERLAND	X			X		X	X			X							X			
AUSTRALIA	X			X		X	X			X									X	
NEW ZEALAND	X			X		X	X			X									X	
ARGENTINA	X			X		X	X			X									X	
JAPAN	X				X			X	X										X	X
CROATIA	X			X		X	X			X			X							

SECTION THREE

GAME WIRING AND SCHEMATICS

CONNECTOR & COMPONENT IDENTIFICATION

Each plug or jack receives a number that identifies the circuit board and the position on that board that it connects to. J-designations refer to a male connector. P-designations refer to a female connector. For example, J101 designates jack 1 of board 1 (a Power Driver board jack); P206 designates plug 6 of board 2 (a CPU board plug). Identifying the specific pin number of a connector involves a hyphen, which separates the pin number from the plug or jack designation. For example, J101-3 refers to pin 3 of jack 1 on board 1.

Other game components may also have similar numbers to clarify their locations or related circuits. For example, F501 is a fuse on the Audio Video board.

Prefix numbers for WPC circuit boards are listed below.

J1XX - Power Driver board jacks; F1XX - Power Driver board fuses

J2XX - CPU Board (There are no fuses on the CPU board.)

J5XX and J6XX - Audio Video board (AV board) jacks; F5XX and F6XX - Audio Video board fuses

Schematics for standard WPC backbox boards are found in the WPC Schematics Manual. Playfield, cabinet and all other backbox board schematics are found in this section.

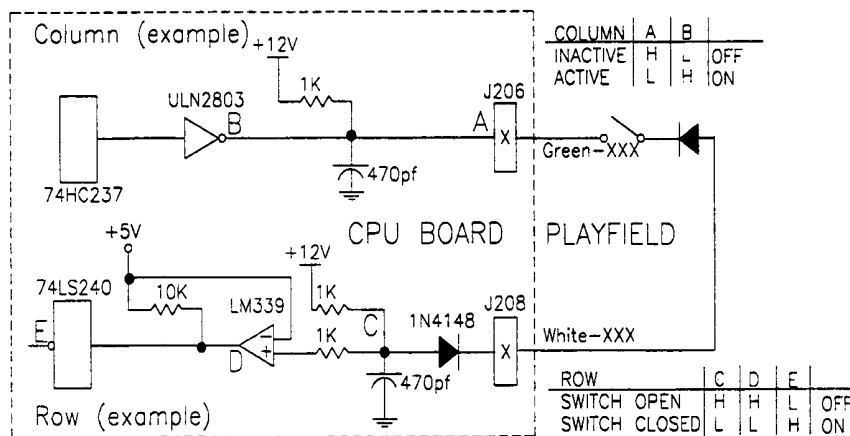
SWITCH MATRIX

White Green

DEDICATED GROUNDED SWITCHES	Column	1	2	3	4	5	6	7	8	FLIPPER GROUNDED SWITCHES
	Row	Green-Brown J206-1 U20-18	Green-Red J206-2 U20-17	Green-Orange J206-3 U20-16	Green-White J206-4 U20-15	Green-Black J206-5 U20-14	Green-Blue J206-6 U20-13	Green-Violet J206-7 U20-12	Green-Gray J206-9 U20-11	
Orange-Brown J205-1 LEFT COIN CHUTE U17-5 D1	1 White-Brown J208-1 U18-11	NOT USED 11	SLAM TILT 21	TROUGH EJECT 31	LEFT GOFER DOWN 41	LEFT SLINGSHOT 51	LEFT SPINNER 61	LEFT CART PATH 71	K-I-C-K ADVANCE 81	BLACK-GREEN J208-13 LOWER RIGHT FLIPPER E.O.S. F1
Orange-Red J205-2 CENTER COIN CHUTE U17-7 D2	2 White-Red J208-2 U18-9	LEFT RAMP MAKE 12	COIN DOOR CLOSED 22	TROUGH BALL 1 32	RIGHT GOFER DOWN 42	RIGHT SLINGSHOT 52	RIGHT SPINNER 62	RIGHT CART PATH 72	(K)ICK 82	BLUE-VIOLET J212-12 LOWER RIGHT FLIPPER OPTO F2
Orange-Black J205-3 RIGHT COIN CHUTE U17-11 D3	3 White-Orange J208-3 U18-5	START BUTTON 13	JET ADVANCE STANDUP 23	TROUGH BALL 2 33	NOT USED 43	TOP JET BUMPER 53	INNER WHEEL OPTO 63	RIGHT RAMP MAKE 73	K(I)CK 83	BLACK-BLUE J208-12 LOWER LEFT FLIPPER E.O.S. F3
Orange-Yellow J205-4 4TH COIN CHUTE U17-9 D4	4 White-Yellow J208-4 U18-7	PLUMB BOB TILT 14	ALWAYS CLOSED 24	TROUGH BALL 3 34	PUTT OUT POPPER 44	MIDDLE JET BUMPER 54	OUTER WHEEL OPTO 64	GOLF CART 74	KI(C)K 84	BLUE-GRAY J212-11 LOWER LEFT FLIPPER OPTO F4
Orange-Green J205-6 U16-9 Normal Function Srv Crdts Test Function Escape D5	5 White-Green J208-5 U19-11	CENTER RAMP MAKE 15	UNDER-GROUND PASS 25	TROUGH BALL 4 35	RIGHT POPPER JAM 45	BOTTOM JET BUMPER 55	LEFT GOFER 1 65	RIGHT GOFER 1 75	KIC(K) 85	BLACK-VIOLET J208-11 UPPER RIGHT FLIPPER E.O.S. F5
Orange-Blue J205-7 U16-11 Normal Function Volume Dn Test Function Volume Down D6	6 White-Blue J208-7 U19-9	LEFT OUTLANE 16	LEFT IN-LANE 26	TROUGH BALL 5 36	RIGHT POPPER 46	TOP SKILL SHOT 56	LEFT GOFER 2 66	RIGHT GOFER 2 76	CAPTIVE BALL 86	BLACK-YELLOW J212-10 UPPER RIGHT FLIPPER OPTO F6
Orange-Violet J205-8 U16-7 Normal Function Volume Up Test Function Volume Up D7	7 White-Violet J208-8 U19-5	RIGHT IN-LANE 17	RIGHT OUTLANE 27	TROUGH BALL 6 37	LEFT RAMP DOWN 47	MIDDLE SKILL SHOT 57	BEHIND LEFT GOFER 67	ADVANCE TRAP VALUE 77	NOT USED 87	BLACK-GRAY J208-10 UPPER LEFT FLIPPER E.O.S. F7
Orange-Gray J205-9 U16-5 Normal Function Begin Test Test Function Enter D8	8 White-Gray J208-9 U19-7	SHOOTER GROOVE 18	KICKBACK 28	JET POPPER 38	RIGHT RAMP DOWN 48	LOWER SKILL SHOT 58	HOLE-IN-ONE MADE 68	SAND TRAP EJECT 78	NOT USED 88	BLACK-BLUE J212-9 UPPER LEFT FLIPPER OPTO F8

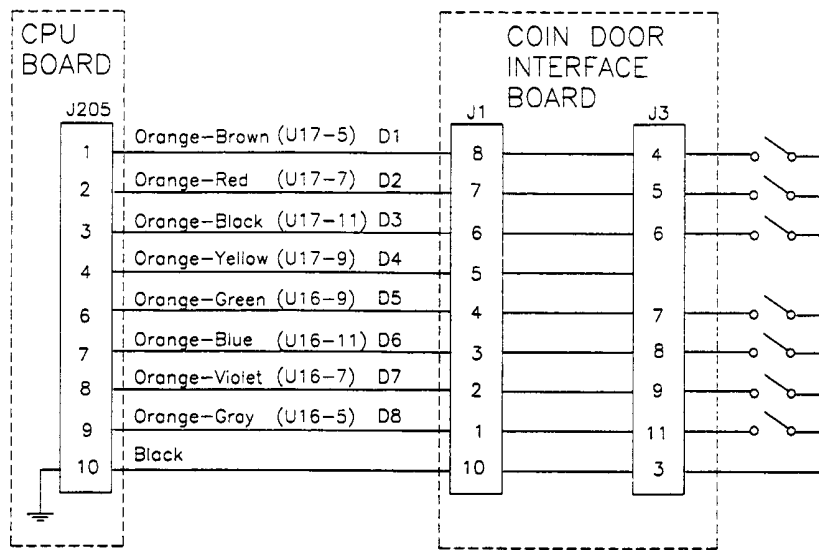
J2XX = CPU BOARD = OPTO, TYPICALLY CLOSED

SWITCH MATRIX CIRCUIT



The microprocessor is constantly strobing the column side of the switch. When point "A" on the column circuit toggles low, the column side is active. When a switch closes, the row side of the circuit activates. The "+" input to the LM339 drops below +5V, therefore, its output is low. Corresponding row and column switches must be low at the same time for the switch to be considered closed by the microprocessor. When the switch opens, the "+" input to the LM339 is above +5V, its output is high and the row is inactive.

DEDICATED SWITCHES



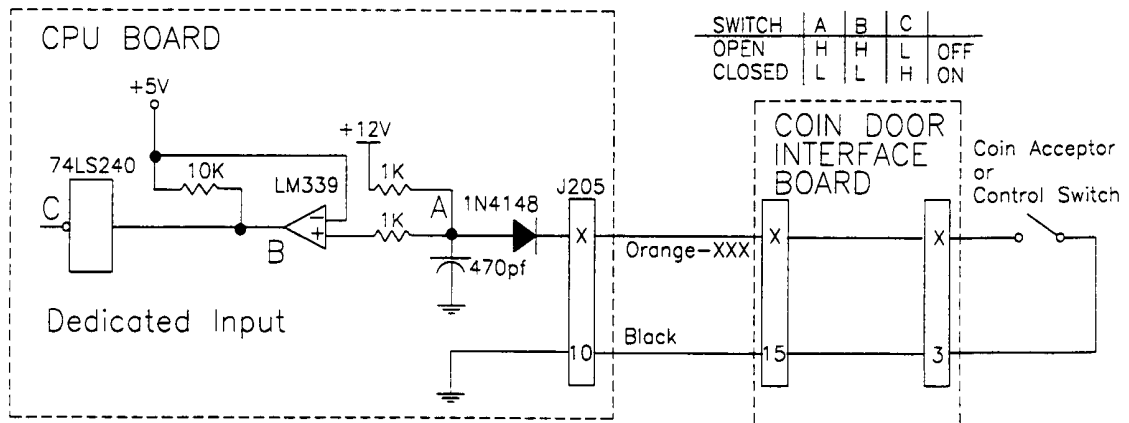
Coin Acceptor Switches

- D1 - Left Coin Chute
- D2 - Center Coin Chute
- D3 - Right Coin Chute
- D4 - Fourth Coin Chute

Control Switches

- D5 - Normal Function, Service Credits; Test Function, Escape
- D6 - Normal Function, Volume Down; Test Function, Down
- D7 - Normal Function, Volume Up; Test Function, Up
- D8 - Normal Function, Begin Test; Test Function, Enter

DEDICATED SWITCH CIRCUIT



The dedicated switches operate similar in the matrix, except that instead of a column circuit there is a direct tie to ground. Therefore, the column side is constantly active (low).

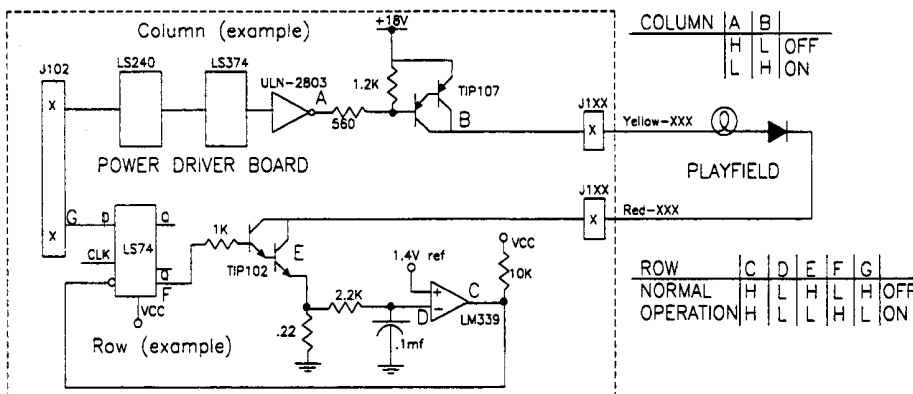
When a switch closes, the row side (dedicated input) of the circuit activates. The "+" input to the LM339 drops below +5V, therefore the output is low. Since the row circuit (dedicated input) is tied directly to ground through the switch, the switch is considered closed by the microprocessor. When the switch opens, the "+" input to the LM339 is above +5V, its output is high and the row is inactive.

LAMP MATRIX

Column	1 Yellow-Brown J121-1 Q96	2 Yellow-Red J121-2 Q100	3 Yellow-Orange J121-3 Q95	4 Yellow-Black J121-4 Q99	5 Yellow-Green J121-5 Q94	6 Yellow-Blue J121-6 Q98	7 Yellow-Violet J121-7 Q93	8 Yellow-Gray J121-9 Q97
1 Red-Brown J125-1 Q104	OUTLANE EXTRA BALL 11	HOLE 5 21	HOLE 6 31	DRIVING RANGE 41	(K)ICK 51	4 STROKES 61	ADVANCE TRAP 71	SIDE RAMP DRIVE 81
2 Red-Black J125-2 Q108	KICKBACK 12	HOLE 4 22	HOLE 7 32	INCREASE GOLF CART 42	K(I)CK 52	3 STROKES 62	CENTER DRIVE 72	EXTRA BALL 82
3 Red-Orange J125-4 Q103	LOWER DRIVING RANGE 13	HOLE 3 23	HOLE 2 33	INCREASE BUZZ VALUE 43	KI(C)K 53	2 STROKES 63	CENTER LOCK 73	MULTIBALL 83
4 Red-Yellow J125-5 Q107	SHOOT AGAIN 14	HIT BUD 24	HIT BUZZ 34	INCREASE BUD VALUE 44	KIC(K) 54	5 STROKES 64	GET T.N.T 74	JACKPOT 84
5 Red-Green J125-6 Q102	SPECIAL 15	HOLE 1 25	HOLE 9 35	NEWTON DRIVE 45	SKILL SHOT 55	7 STROKES 65	CENTER RAISE GOFER 75	PUTT OUT 85
6 Red-Blue J125-7 Q106	WHEEL VALUE 16	2X 26	4X 36	COLLECT 46	RELIGHT JACKPOT 56	6 STROKES 66	RIGHT SPINNER 76	TOP JET BUMPER 86
7 Red-Violet J125-8 Q101	JET LIGHTNING 17	CART PATH 2 27	CART PATH 4 37	RIP OFF 47	RIGHT RAMP LOCK 57	LEFT SPINNER 67	RIGHT LOOP DRIVE 77	MIDDLE JET BUMPER 87
8 Red-Gray J125-9 Q105	HOLE 8 18	5X CART PATH 28	3X 38	LEFT LOOP DRIVE 48	RIGHT RAMP DRIVE 58	TRAP READY 68	BOTTOM JET BUMPER 78	START BUTTON 88

J1XX = Power Driver Board

LAMP MATRIX CIRCUIT



The microprocessor sends a signal to the column circuit causing the output of the UNL-2803 to toggle. When point "A" drops low, the TIP107 transistor conducts and point "B" changes to a high state. At the same time, the microprocessor drives the input of the 74LS74 low, causing a high at output "F". A high state at the base of the TIP102 causes the transistor to conduct, bringing the row circuit to ground and turning the lamp on. The microprocessor changes the input of the 74LS74 to a high state to turn the lamp off. In overcurrent conditions, the lamp is shut off through the comparator. If the voltage at the negative input of the LM339 rises above 1.4V, the output changes to a low, which is fed back to the 74LS74 and shuts the circuit off.

SOLENOID/FLASHER TABLE

Sol. No.	Function	Solenoid Type	Voltage Connections			Drive Xistor	Drive Connections			Drive Wire Color	Solenoid Part Number	
			Playfield Backbox Cabinet				Playfield Backbox Cabinet				Flashlamp Type	Insert
01	AUTO FIRE	High Power	J133-2			Q72	J116-1			VIO-BRN	AE-23-800	
02	KICKBACK	High Power	J133-2	J134-3		Q68	J116-2			VIO-RED	AE-23-800	
03	CLUBHOUSE KICKER	High Power	J133-2			Q71	J116-4			VIO-ORG	AE-23-800	
04	LEFT GOFER UP	High Power	J133-2			Q67	J116-5			VIO-YEL	LE-23-1300	
05	RIGHT GOFER UP	High Power	J133-2			Q70	J116-6			VIO-GRN	LE-23-1300	
06	JET POPPER	High Power	J133-2			Q66	J116-7			VIO-BLU	AE-27-1200	
07	LEFT EJECT	High Power	J133-2			Q69	J116-8			VIO-BLK	AE-24-900	
08	UPPER RIGHT EJECT	High Power	J133-2			Q65	J116-9			VIO-GRY	AE-26-1200	
09	TROUGH EJECT	Low Power	J133-3			Q44	J113-1			BRN-BLK	AE-26-1500	
10	LEFT SLINGSHOT	Low Power	J133-3			Q48	J113-3			BRN-RED	AE-26-1200	
11	RIGHT SLINGSHOT	Low Power	J133-3			Q43	J113-4			BRN-ORG	AE-26-1200	
12	TOP JET BUMPER	Low Power	J133-3			Q47	J113-5			BRN-YEL	AE-26-1200	
13	MIDDLE JET BUMPER	Low Power	J133-3			Q42	J113-6			BRN-GRN	AE-26-1200	
14	BOTTOM JET BUMPER	Low Power	J133-3			Q46	J113-7			BRN-BLU	AE-26-1200	
15	LEFT GOFER DOWN	Low Power	J133-3			Q41	J113-8			BRN-VIO	AE-30-2000	
16	RIGHT GOFER DOWN	Low Power	J133-3			Q45	J113-9			BRN-GRY	AE-30-2000	
17	JET FLASHER	Flasher	J133-6			Q28	J111-1			BLK-BRN	#906	
18	LOWER LEFT FLASHER	Flasher	J133-6			Q32	J111-2			BLK-RED	#906	
19	LEFT SPINNER FLASHER	Flasher	J133-6			Q27	J111-3			BLK-ORG	#906	
20	RIGHT SPINNER FLASHER	Flasher	J133-6			Q31	J111-4			BLK-YEL	#906, #89	
21	LOWER RIGHT FLASHER	Flasher	J133-6			Q26	J111-5			BLU-GRN	#89	
22	NOT USED	Flasher	J133-6			Q30				BLU-BLK		
23	NOT USED	Flasher	J133-6			Q25				BLU-VIO		
24	UNDERGROUND PASS	Flasher	J133-1			Q29	J111-8			BLU-GRY	AE-27-1200	
25	SAND TRAP FLASHER	Gen. Purpose	J133-6			Q16	J109-1			BLU-BRN	#906 (2)	
26	WHEEL FLASHER	Gen. Purpose	J133-6			Q15	J109-2			BLU-RED	#906	
27	LEFT RAMP DOWN	Gen. Purpose	J133-1			Q14	J109-3			BLU-ORG	SM1-28-900	
28	RIGHT RAMP DOWN	Gen. Purpose	J133-1			Q13	J109-4			BLU-YEL	SM1-28-900	
General Illumination												
01	LEFT SIDE STRING	G.I.	J105-1			Q5	J105-7			WHT-BRN		#555, #545
02	RIGHT SIDE STRING	G.I.	J105-2			Q4	J105-8			WHT-ORG		#555, #545
03	GOFER SPOTLIGHT	G.I.	J105-3			Q3	J105-9			WHT-YEL	#44	#555, #545
04	*ILLUMINATION STRING 4	G.I.		J106-5		Q2		J106-10		WHT-GRN	#44	
05	*ILLUMINATION STRING 5	G.I.		J106-6	J104-3	Q1		J106-11	J104-1	WHT-VIO	#44	
Flipper Circuits												
	Solenoid Type	Playfield Voltage Connection	Drive Xistors Power	Hold	Playfield Drive Connections	Drive Wire Colors Power	Hold	Coil Part No.	Coil Colors			
29	LOWER RIGHT FLIPPER	Power	J119-1 (RED-GRN)	Q90	J120-13	YEL-GRN		FL-11629	BLUE			
30		Hold	J119-1 (RED-GRN)	Q92	J120-11	ORG-GRN						
31	LOWER LEFT FLIPPER	Power	J119-4 (RED-BLU)	Q87	J120-9	YEL-BLU		FL-11629	BLUE			
32		Hold	J119-4 (RED-BLU)	Q89	J120-7	ORG-BLU						
33	UPPER RIGHT FLIPPER	Power	J119-6 (RED-VIO)	Q84	J120-6	YEL-VIO		FL-11630	RED			
34		Hold	J119-6 (RED-VIO)	Q86	J120-4	ORG-VIO						
35	BALL LAUNCH RAMP	Power	J119-8 (RED-GRY)	Q81	J120-3	YEL-GRY		LE-23-1300-T	YELLOW			
36	NOT USED	Hold	J119-8 (RED-GRY)	Q83	J120-1	ORG-GRY						
Motor Circuit												
	Solenoid Type	Playfield Voltage Connections	Drive Gates	Drive Connection Playfield	Drive Wire Color	Device Part Number Playfield						
37	WHEEL SPIN (counter clock-wise)	Low Power	J139-2	U3A, U3B	J110-1	BRN-WHT	SEE BELOW					
38	WHEEL SPIN (clock-wise)	Low Power	J139-2	U3C, U3D	J110-3	ORG-WHT	SEE BELOW					
Auxiliary Circuits												
	Solenoid Type	Voltage Connections Playfield	Drive Transistor	Drive Connections Playfield	Drive Wire Color	Device Part Number Playfield						
42	UPPER RIGHT 1 FLASHER	Flasher	J4-1	Q2	J4-2	BLU-BRN	#906					
43	UPPER RIGHT 2 FLASHER	Flasher	J4-1	Q4	J4-3	BLU-RED	#906					
44	UPPER RIGHT 3 FLASHER	Flasher	J4-1	Q6	J4-4	BLU-ORG	#906					
45	UPPER PLAYFIELD RIGHT	Flasher	J4-1	Q8	J4-5	BLU-YEL	#906 (2)					
46	UPPER PLAYFIELD LEFT	Flasher	J4-1	Q10	J4-7	BLU-GRN	#906 (2)					
47	UPPER LEFT 3 FLASHER	Flasher	J4-1	Q12	J4-8	BLU-BLK	#906					
48	UPPER LEFT 2 FLASHER	Flasher	J4-1	Q14	J4-9	BLU-VIO	#906					
49	UPPER LEFT 1 FLASHER	Flasher	J4-1	Q16	J4-10	BLU-GRY	#906					

*These general illumination strings do not brighten and dim, they are always on.

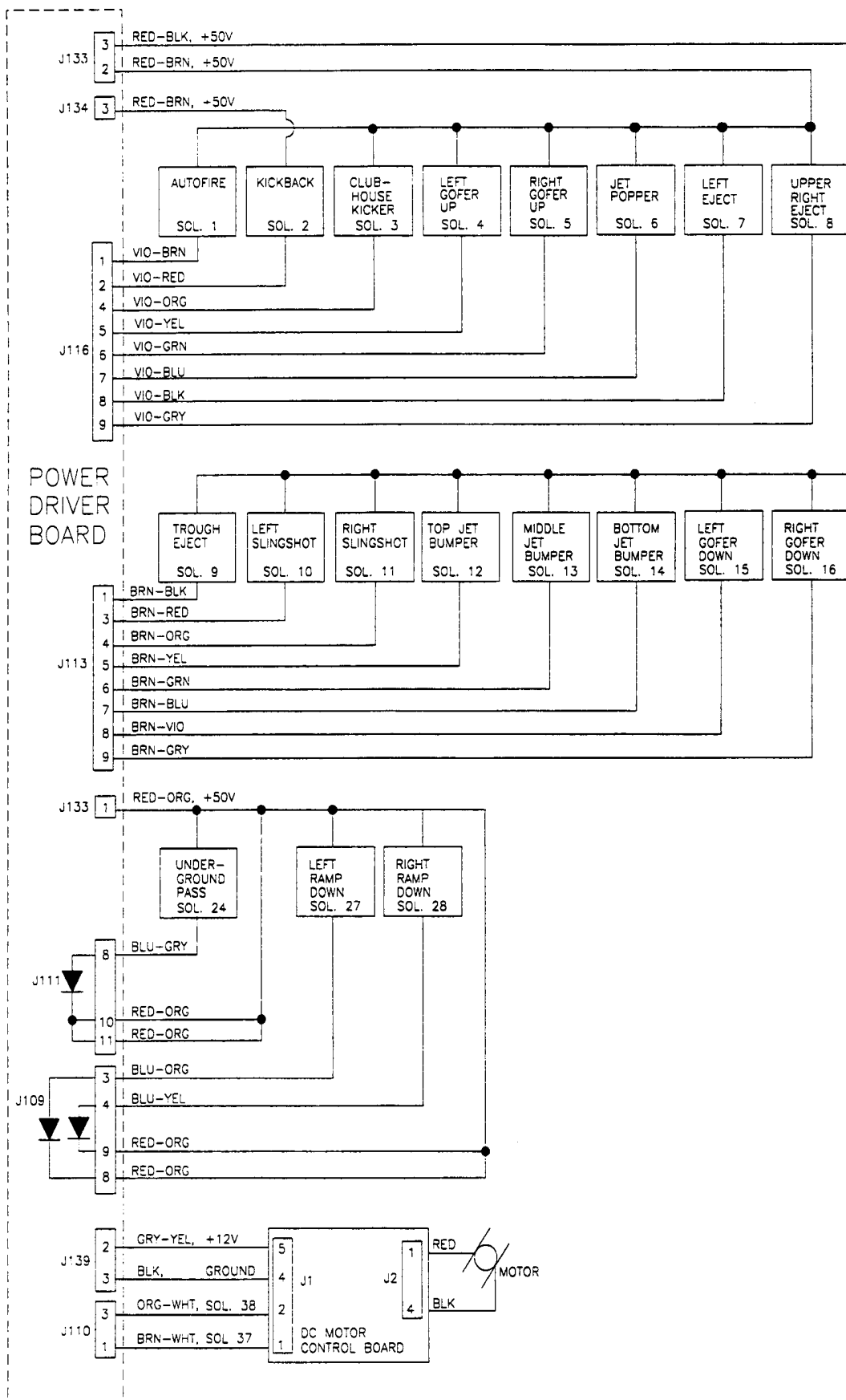
24-6549 = #44 bulb	24-8768 = #555 bulb
24-8704 = #89 bulb	24-8802 = #906 bulb

Tieback Diodes:
J109-8 & J109-9
J111-10 & J111-11

For solenoids #37 and #38:
Motor, 14-7955-1
DC Motor Control Board, A-16120
Motor 2-Opto Board, A-22026

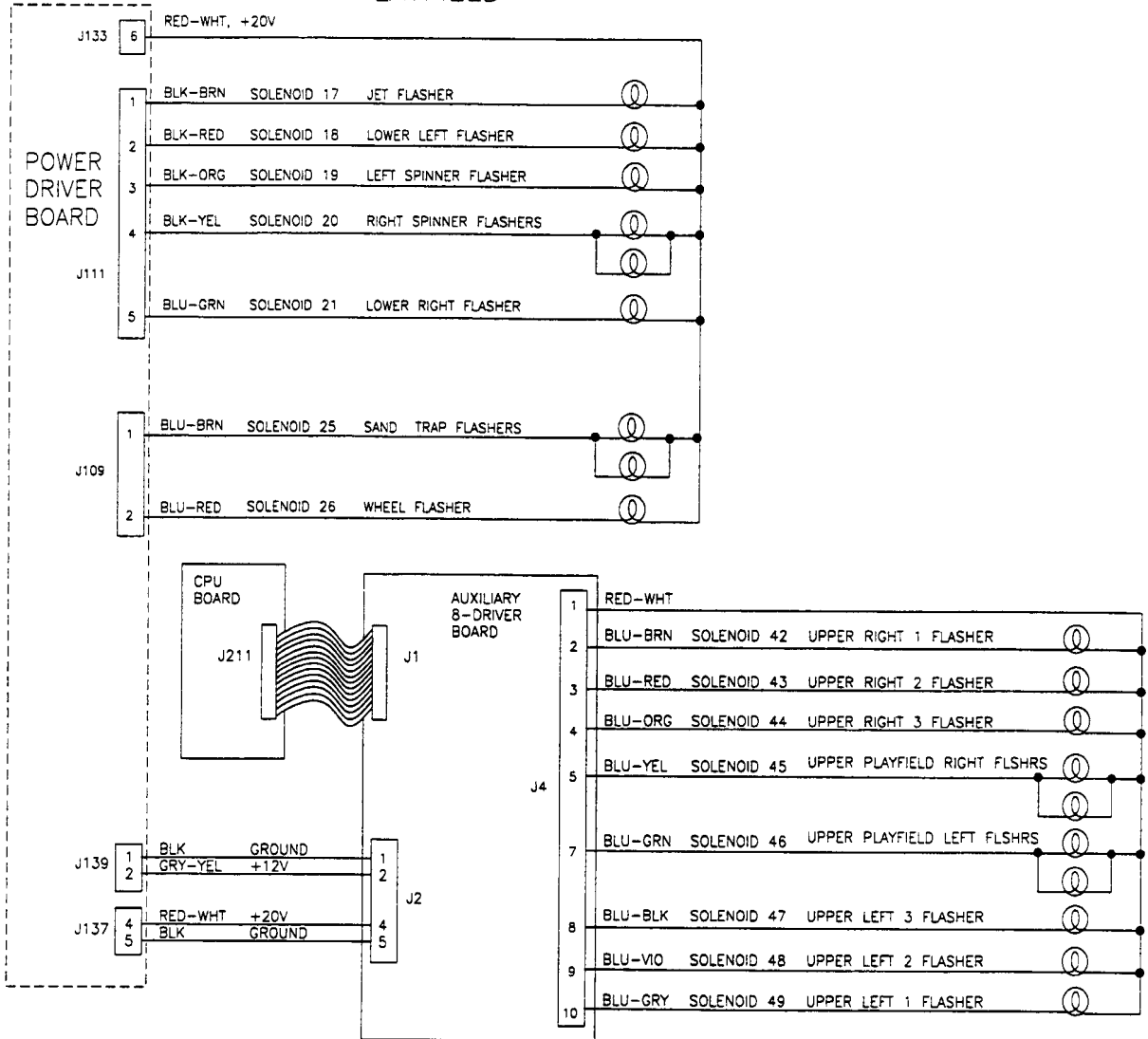
SOLENOID WIRING

COILS

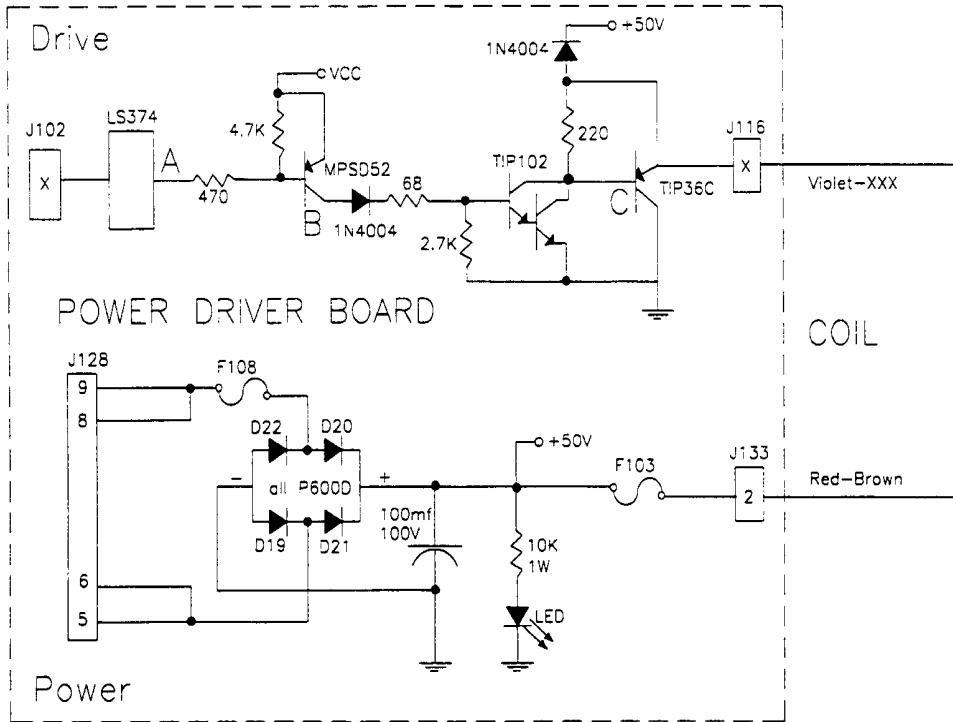


FLASHLAMPS

PLAYFIELD

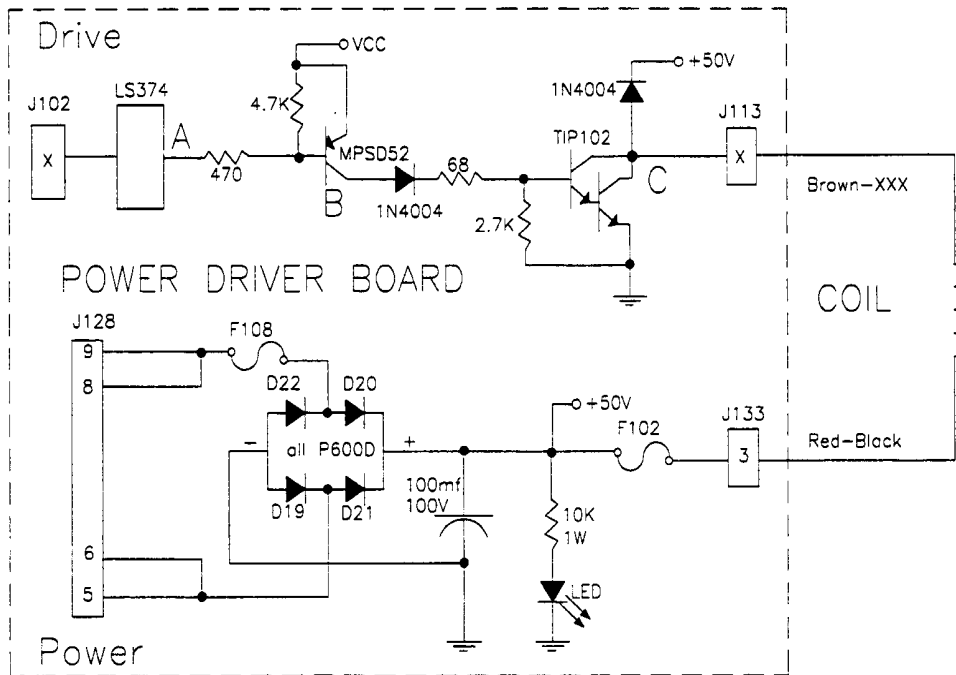


HIGH POWER SOLENOID CIRCUIT



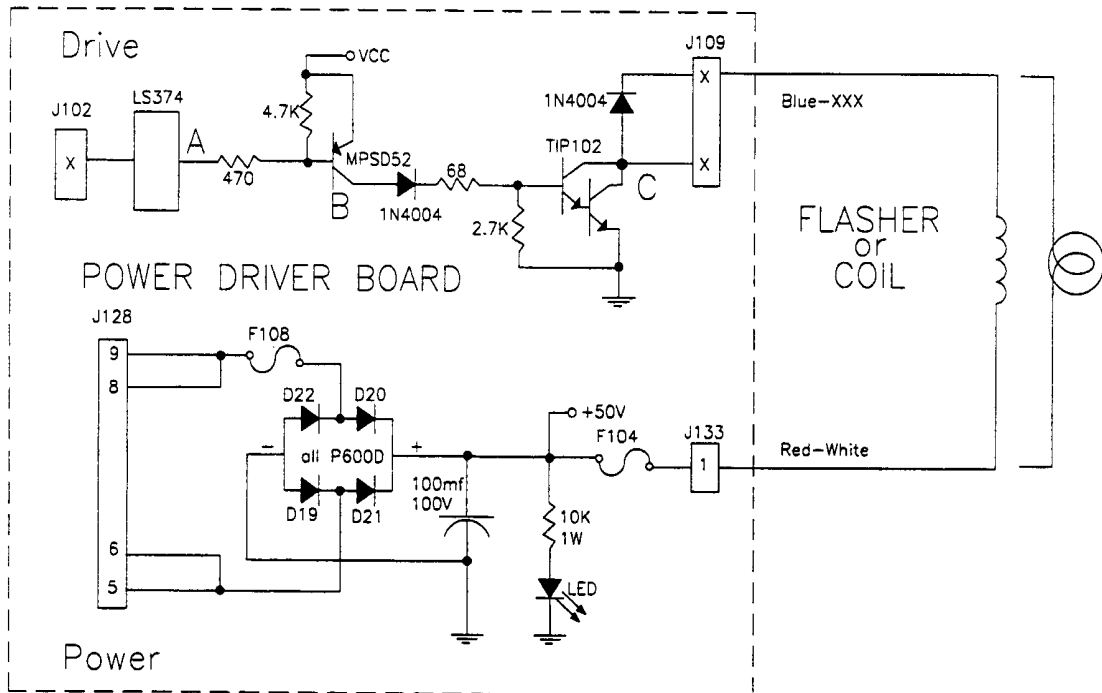
The microprocessor toggles the output of the 74LS374. When point "A" is low, point "B", the collector of the 2N5401 transistor, is high. A high at point "B" causes point "C", the collector of the TIP102 transistor and point "D", the emitter of the TIP36C transistor, to drop low. When point "D" is low, the coil is grounded through the transistor and turns on. The coil shuts off when point "A" toggles high.

LOW POWER SOLENOID CIRCUIT



The microprocessor toggles the output of the 74LS374. When point "A" is low, point "B", the collector of the 2N5401 transistor, is high. A high at point "B" turns on the TIP102 transistor and causes point "C" to drop low. When point "C" is low the coil is grounded through the transistor and turns on. The coil shuts off when point "A" toggles high.

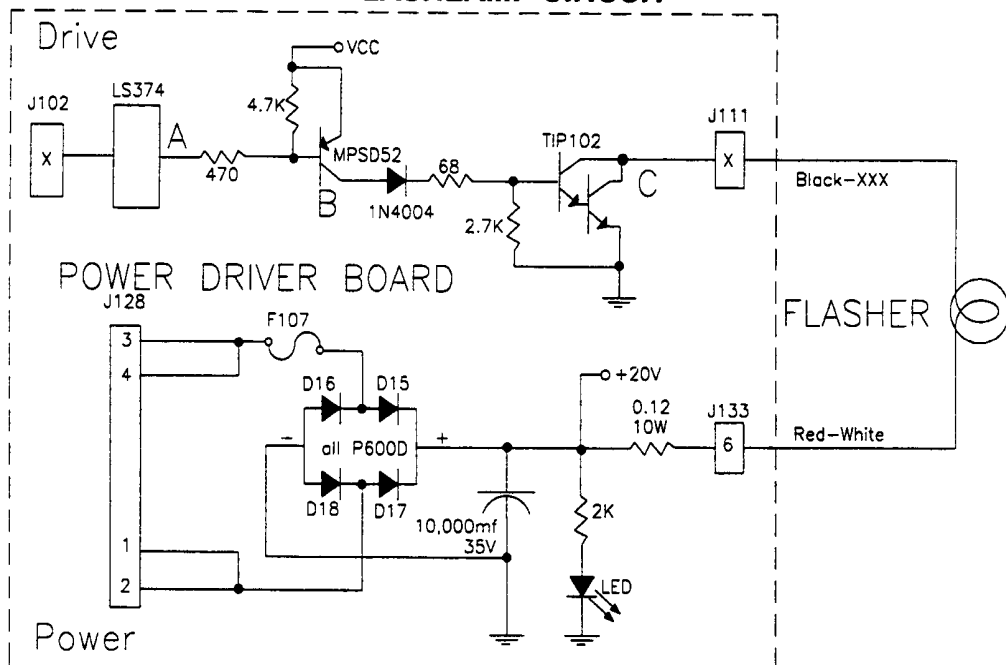
SPECIAL (GENERAL PURPOSE) SOLENOID CIRCUIT



The microprocessor toggles the output of the 74LS374. When point "A" is low, point "B" the collector of the 2N5401 transistor, is high. A high at point "B" causes a low at point "C". When point "C" is low, the coil/flashlamp is grounded through the transistor and turns on. When point "A" toggles high the coil/flashlamp turns off.

* Tieback diode is not used for flashlamp circuit.

FLASHLAMP CIRCUIT



The microprocessor toggles the output of the 74LS374. When point "A" is low, point "B" the collector of the 2N5401 transistor, is high. Once point "B" is high, point "C" the collector of the TIP102 transistor is low. When point "C" is low, the flashlamp is grounded through the transistor and turns on. When point "A" toggles high, the current shuts off.

GENERAL ILLUMINATION CIRCUIT

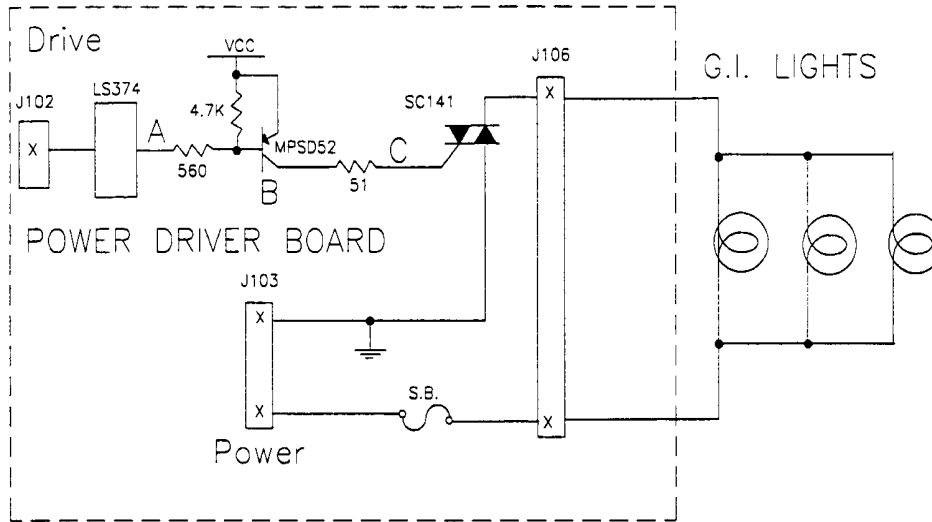


Figure #1

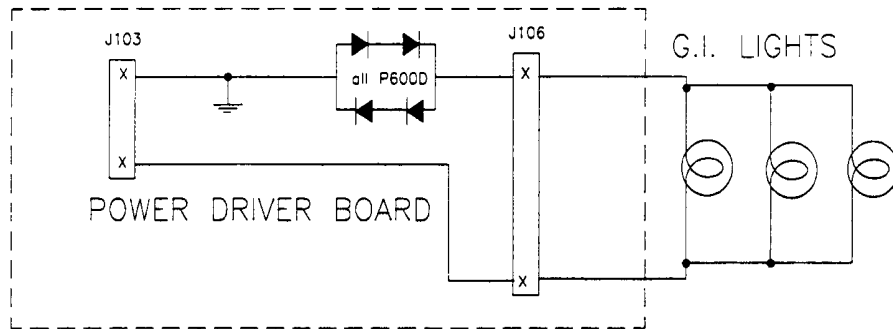
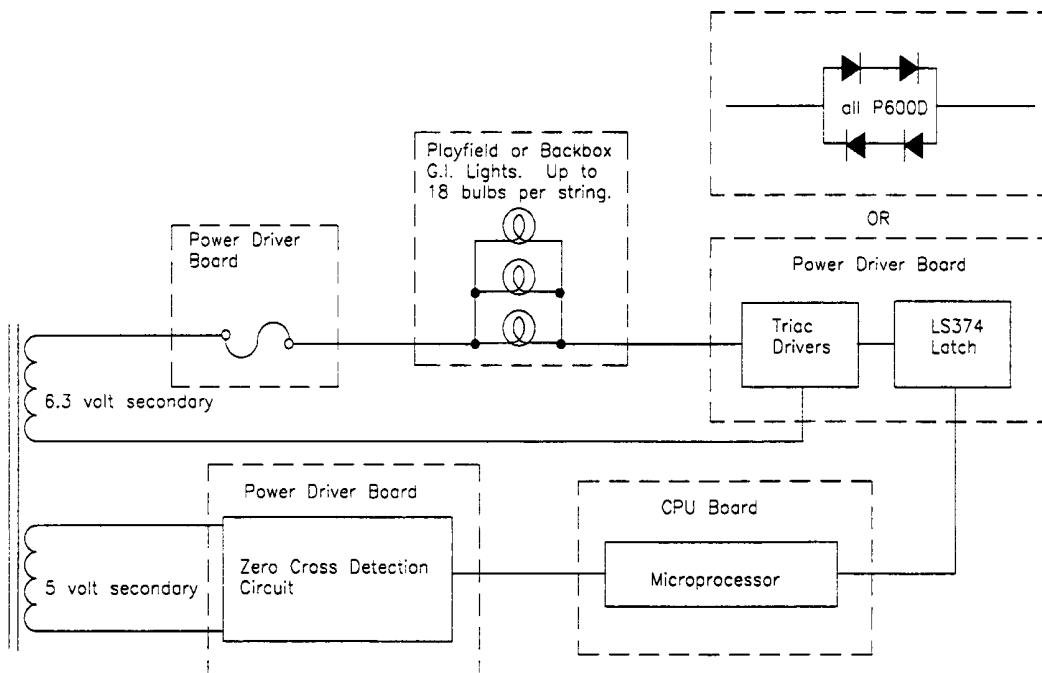


Figure #2

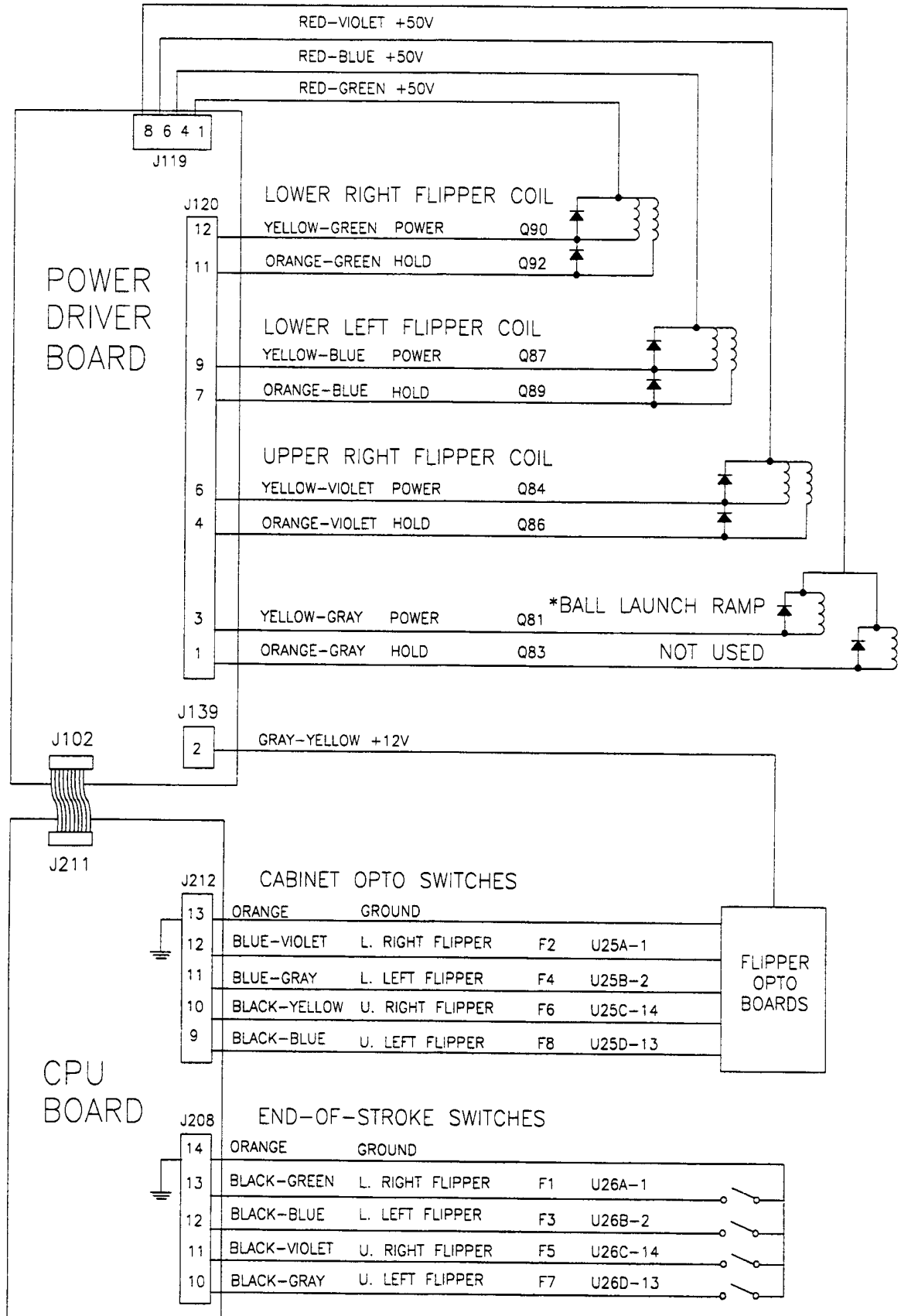
There are five general illumination strings; three like figure #1 and two like figure #2. When point "A" toggles low, points "B" and "C" are high. This turns on the triac and the desired general illumination string of lights.

BLOCK DIAGRAM OF GENERAL ILLUMINATION CIRCUIT



FLIPPER CIRCUIT DIAGRAM

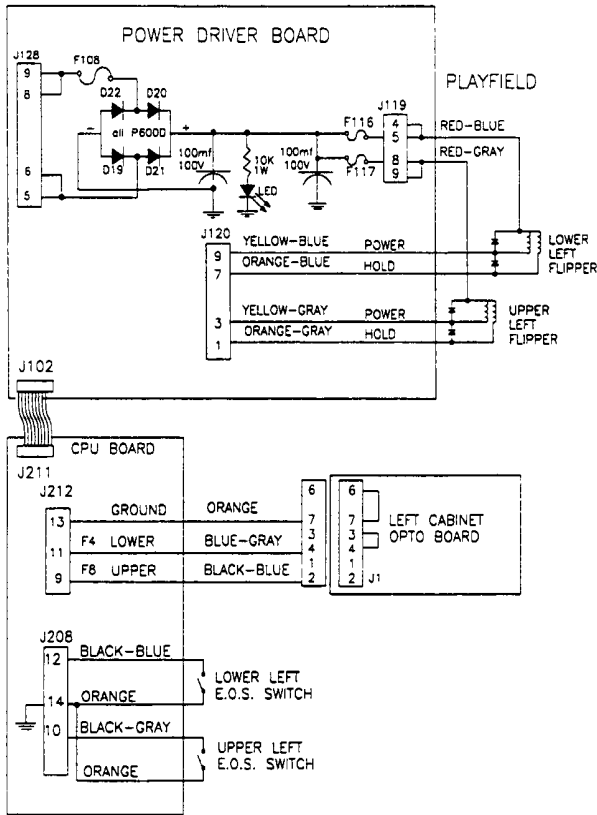
RED-GRAY +50V



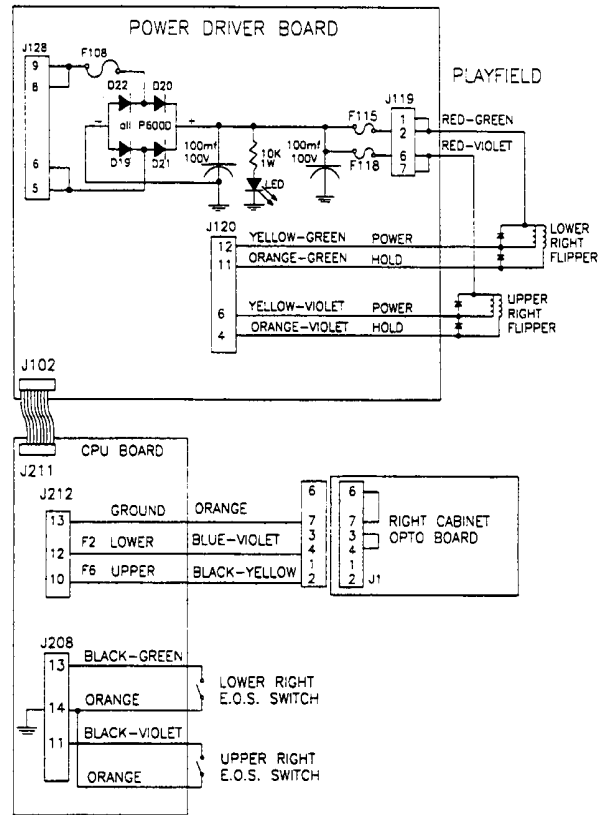
* The UPPER LEFT FLIPPER circuit is used for the BALL LAUNCH RAMP

FLIPPER COIL CIRCUITS

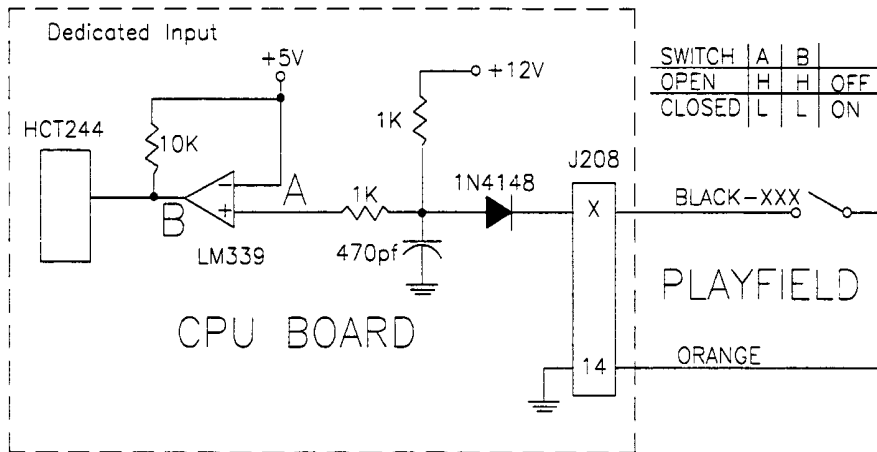
LEFT FLIPPER CIRCUIT



RIGHT FLIPPER CIRCUIT



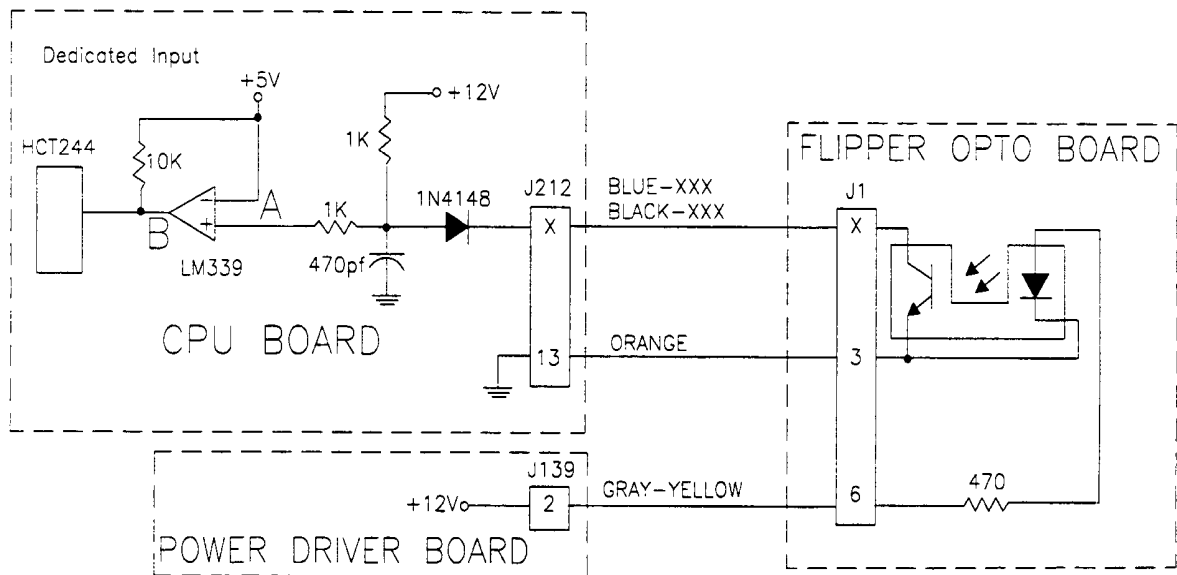
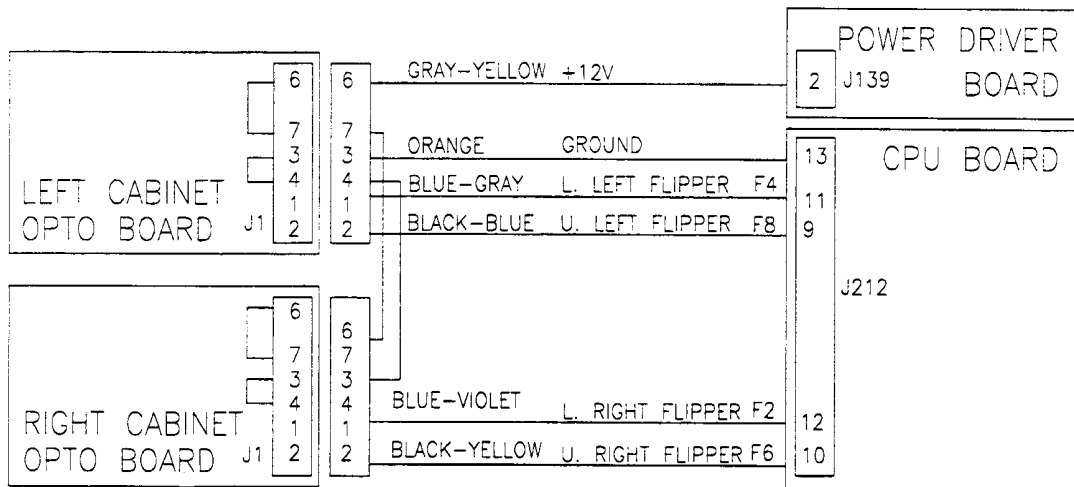
FLIPPER END-OF-STROKE SWITCH CIRCUIT



The flipper E.O.S. circuits operate similar to the dedicated switch circuit. The circuits are active low and tied to ground through the switch.

When a switch closes, the row side, (dedicated input), of the circuit activates. The "+" input of the LM339 drops below +5V therefore its output is low. Since the row (dedicated input), circuit is tied directly to ground through the switch, the switch is considered closed by the microprocessor. When the switch opens, the "+" input to the LM339 is above +5V, its output is high and the row (dedicated input) is inactive.

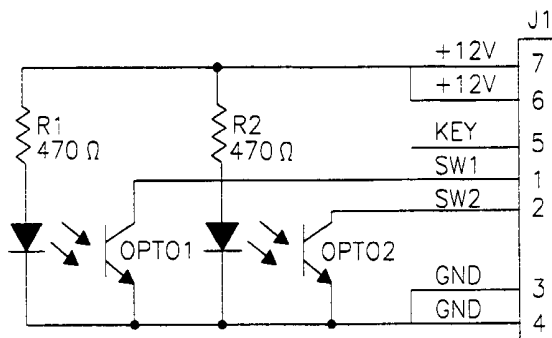
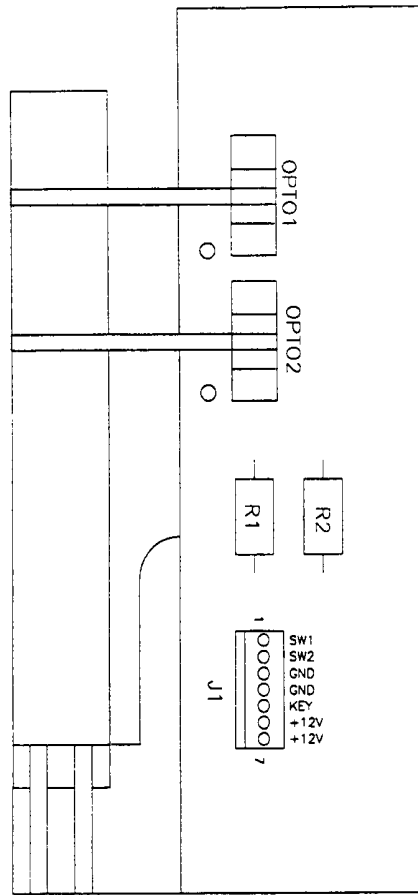
FLIPPER CABINET SWITCH CIRCUITS



The flipper switch circuits operate similar to the dedicated switch circuit. The circuits are active low and tied to ground through the switch circuit.

When a switch closes, the row side (dedicated input) of the circuit activates. The "+" input to the LM339 drops below +5V, therefore, its output is low. Since the row, (dedicated input) circuit is tied directly to ground through the switch, the switch is considered closed by the microprocessor. When the switch opens, the "+" input to the LM339 is above +5V, its output is high and the row, (dedicated Input) is inactive.

FLIPPER OPTO BOARD ASSEMBLY A-17316



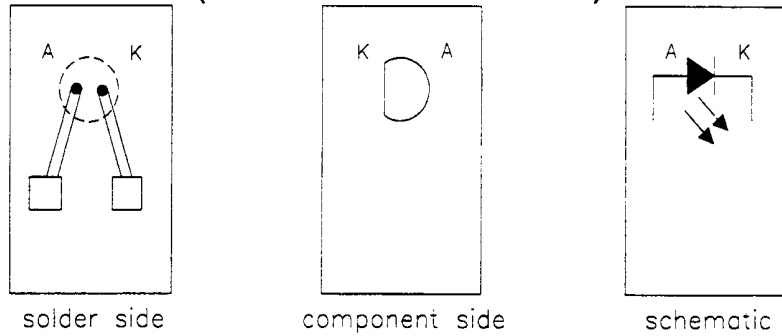
Left Flipper Opto Board Assembly

- J1-1 Black-Blue from CPU board J212-9
- J1-2 Blue-Gray from CPU board J212-11
- J1-3 N/C
- J1-4 Orange from CPU board J212-13
- J1-5 N/C
- J1-6 Gray-Yellow from Power Driver Board J139-2
- J1-7 Gray-Yellow from Power Driver Board J139-2

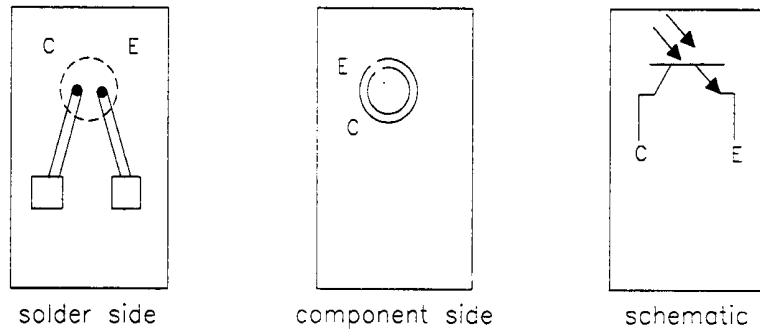
Right Flipper Opto Board Assembly

- J1-1 Black-Yellow from CPU board J212-10
- J1-2 Blue-Violet from CPU board J212-12
- J1-3 Orange from CPU board J212-13
- J1-4 Orange from Left Flipper Opto Board Assy J1-4
- J1-5 N/C
- J1-6 Gray-Yellow from Left Flipper Opto Board Assy J1-6
- J1-7 N/C

**LED BOARD ASSEMBLY
A-16908
(TRANSMITTER-GREEN BOARD)**



**PHOTO TRANSISTOR BOARD ASSEMBLY
A-16909
(RECEIVER-BLUE BOARD)**



TYPICAL CIRCUIT DIAGRAM

LED BOARD
Transmitter
1.0-1.4 volts

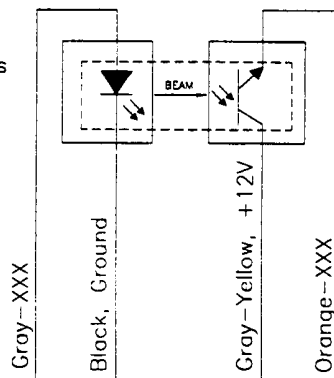
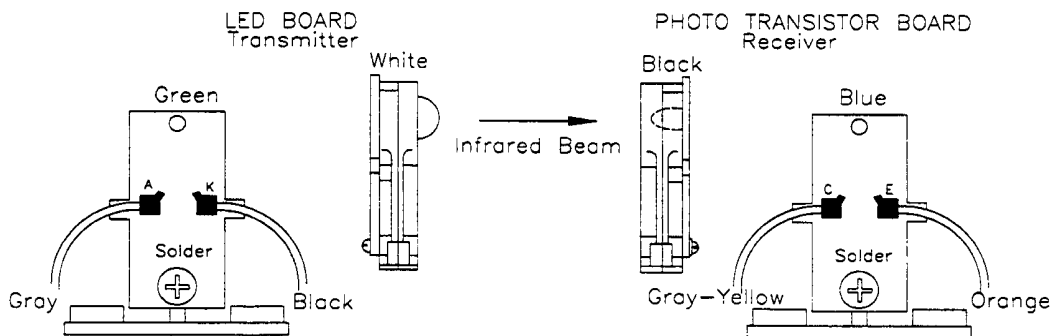
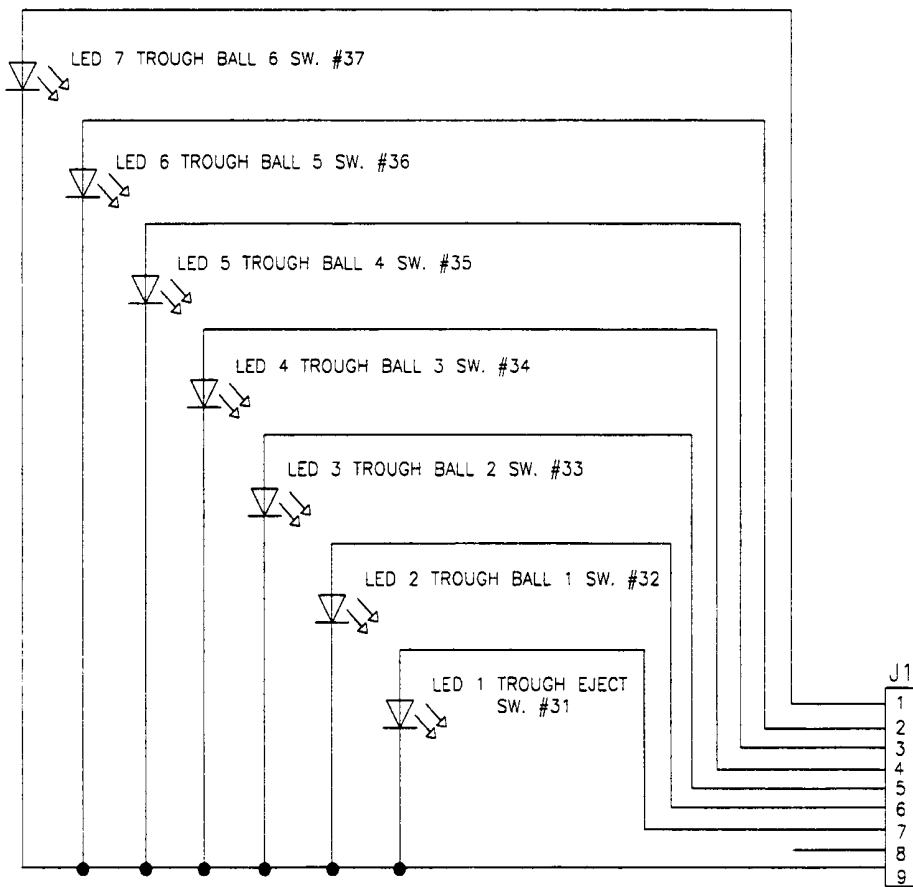
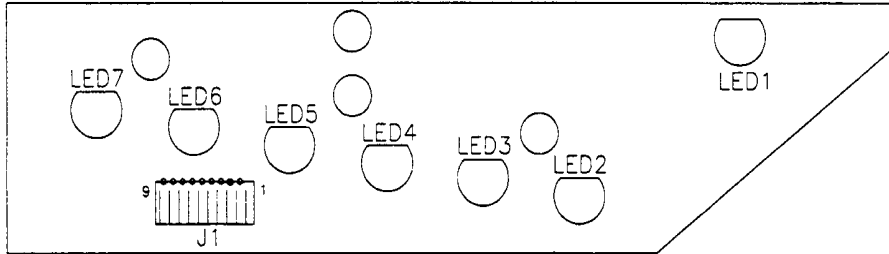


PHOTO TRANSISTOR BOARD
Receiver
0.1-0.7 volts unblocked
11-13 volts blocked

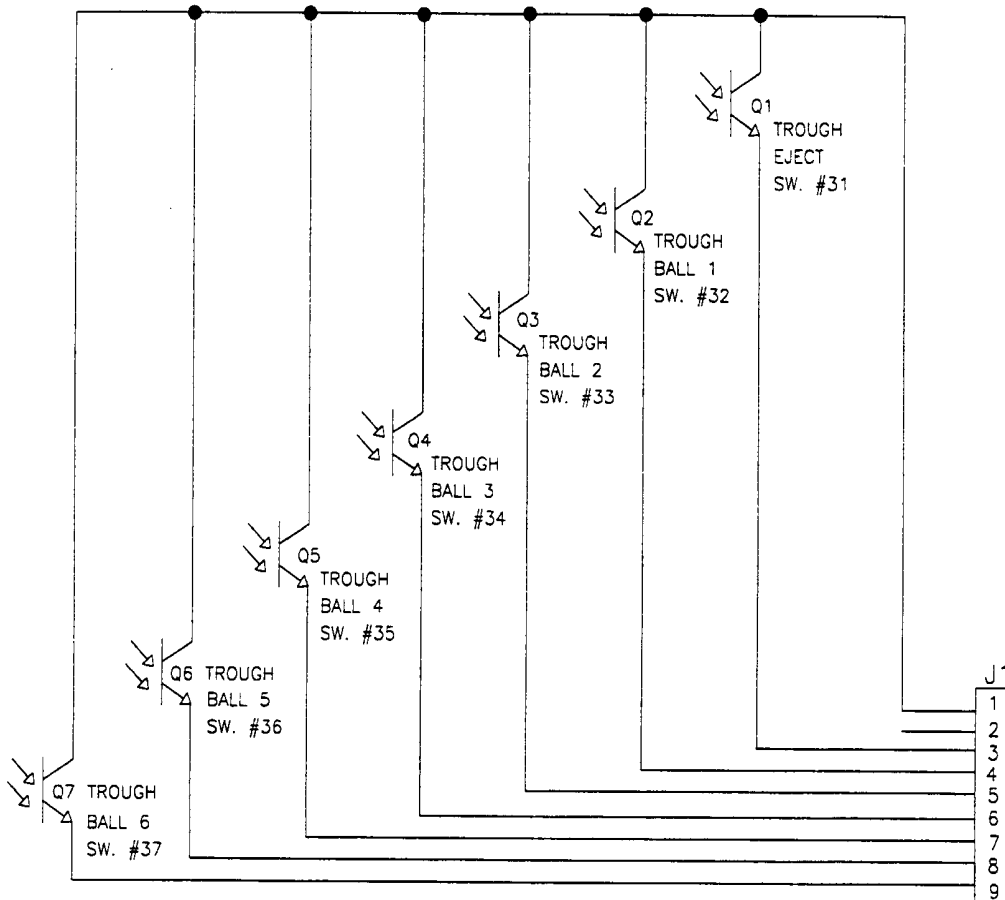
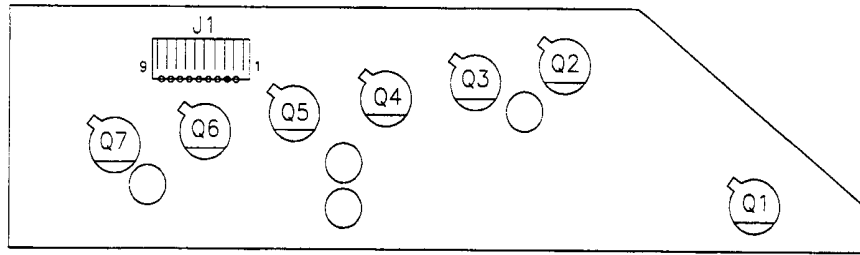


**Trough IR LED Board Assembly
(transmitter - green board)
A-18617-1**



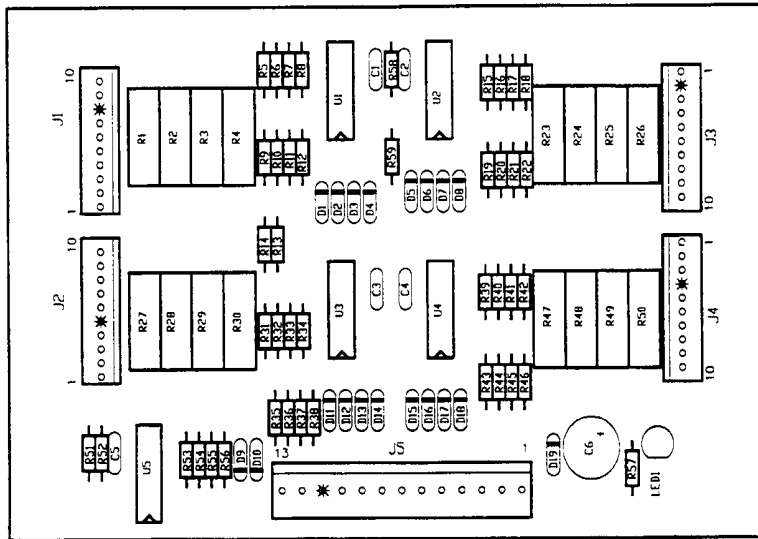
- | | | |
|-------------|-----------------|--|
| J1-1 | GRY-VIO | For TROUGH BALL 6 switch #37 from 16-Opto Switch Board |
| J1-2 | GRY-BLU | For TROUGH BALL 5 switch #36 from 16-Opto Switch Board |
| J1-3 | GRY-GRN, | For TROUGH BALL 4 switch #35 from 16-Opto Switch Board |
| J1-4 | GRY-BLK, | For TROUGH BALL 3 switch #34 from 16-Opto Switch Board |
| J1-5 | GRY-ORG, | For TROUGH BALL 2 switch #33 from 16-Opto Switch Board |
| J1-6 | GRY-RED, | For TROUGH BALL 1 switch #32 from 16-Opto Switch Board |
| J1-7 | GRY-BRN, | For TROUGH EJECT switch #31 from 16-Opto Switch Board |
| J1-8 | KEY | |
| J1-9 | BLK, | Ground from 16-Opto Switch Board |

**Trough IR Photo Transistor Board Assembly
(receiver - blue board)
A-18618-1**



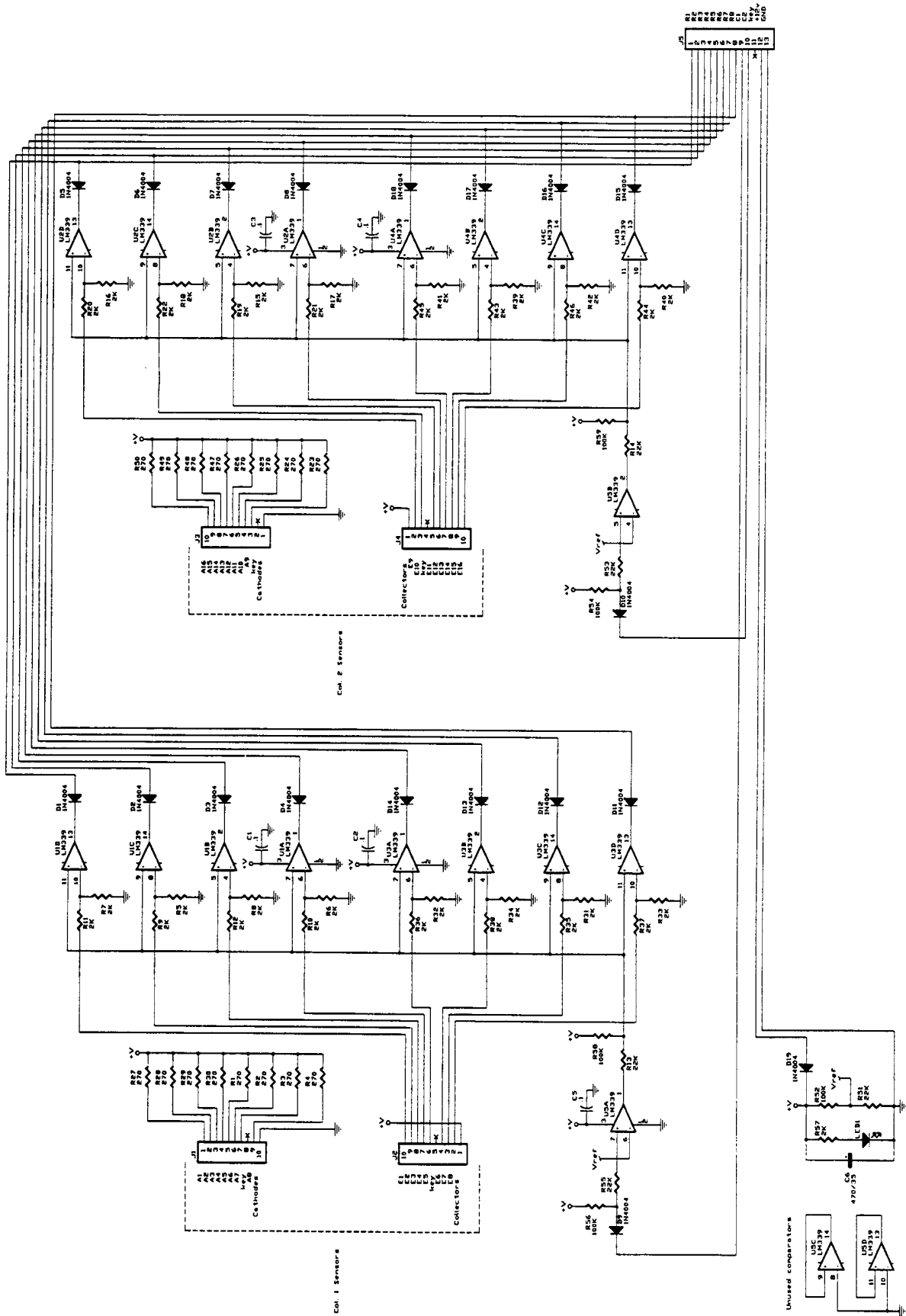
- | | | |
|-------------|-----------------|--|
| J1-1 | GRY-YEL, | +12V from 16-Opto Switch Board J2-1 |
| J1-2 | KEY | |
| J1-3 | ORG-BRN, | For TROUGH EJECT switch #31 from 16-Opto Switch Board J2-10 |
| J1-4 | ORG-RED, | For TROUGH BALL 1 switch #32 from 16-Opto Switch Board J2-9 |
| J1-5 | ORG-BLK, | For TROUGH BALL 2 switch #33 from 16-Opto Switch Board J2-8 |
| J1-6 | ORG-YEL, | For TROUGH BALL 3 switch #34 from 16-Opto Switch Board J2-7 |
| J1-7 | ORG-GRN, | For TROUGH BALL 4 switch #35 from 16-Opto Switch Board J2-6 |
| J1-8 | ORG-BLU | For TROUGH BALL 5 switch #36 from 16-Opto Switch Board J2-4 |
| J1-9 | ORG-VIO | For TROUGH BALL 6 switch #37 from 16-Opto Switch Board J2-3 |

16-Opto Switch Board Assembly A-22019-2



J1-1	GRY-WHT	To switch #38 LED board	J4-1	GRY-YEL	+12V to Photo Trans. boards
J1-2	GRY-VIO	To switch #37 LED board	J4-2	WHT-BRN	To switch #41 Photo Trans. board
J1-3	GRY-BLU	To switch #36 LED board	J4-3	WHT-RED	To switch #42 Photo Trans. board
J1-4	GRY-GRN	To switch #35 LED board	J4-4	KEY	
J1-5	GRY-BLK	To switch #34 LED board	J4-5	N/C	
J1-6	GRY-ORG	To switch #33 LED board	J4-6	WHT-YEL	To switch #44 Photo Trans. board
J1-7	GRY-RED	To switch #32 LED board	J4-7	WHT-GRN	To switch #45 Photo Trans. board
J1-8	KEY		J4-8	WHT-BLU	To switch #46 Photo Trans. board
J1-9	GRY-BRN	To switch #31 LED board	J4-9	N/C	
J1-10	BLK	Ground to LED boards	J4-10	N/C	
J2-1	GRY-YEL	+12V to Photo Trans. boards	J5-1	WHT-BRN	Switch Col. #1 from CPU J208-1
J2-2	ORG-GRY	To switch #38 Photo Trans. board	J5-2	WHT-RED	Switch Col. #2 from CPU J208-2
J2-3	ORG-VIO	To switch #37 Photo Trans. board	J5-3	WHT-ORG	Switch Col. #3 from CPU J208-3
J2-4	ORG-BLU	To switch #36 Photo Trans. board	J5-4	WHT-YEL	Switch Col. #4 from CPU J208-4
J2-5	KEY		J5-5	WHT-GRN	Switch Col. #5 from CPU J208-5
J2-6	ORG-GRN	To switch #35 Photo Trans. board	J5-6	WHT-BLU	Switch Col. #6 from CPU J208-7
J2-7	ORG-YEL	To switch #34 Photo Trans. board	J5-7	WHT-VIO	Switch Col. #7 from CPU J208-8
J2-8	ORG-BLK	To switch #33 Photo Trans. board	J5-8	WHT-GRY	Switch Col. #8 from CPU J208-9
J2-9	ORG-RED	To switch #32 Photo Trans. board	J5-9	GRN-ORG	Switch Row #3 from CPU J206-3
J2-10	ORG-BRN	To switch #31 Photo Trans. board	J5-10	GRN-WHT	Switch Row #4 from CPU J206-4
J3-1	BLK	Ground to LED boards	J5-11	KEY	
J3-2	KEY		J5-12	GRY-YEL	+12V from Power Driver J139-2
J3-3	GRN-BRN	To switch #41 LED board	J5-13	BLK	Ground from Power Driver J139-3
J3-4	GRN-RED	To switch #42 LED board			
J3-5	N/C				
J3-6	GRN-WHT	To switch #44 LED board			
J3-7	GRN-BLK	To switch #45 LED board			
J3-8	GRN-BLU	To switch #46 LED board			
J3-9	N/C				
J3-10	N/C				

16-Opto Switch Board Schematic A-22019-2



Individual Playfield Opto Switch Wiring Diagram

This diagram shows the wiring for individual playfield opto switches only. See the next page for the wiring diagram for the ball trough opto switches.

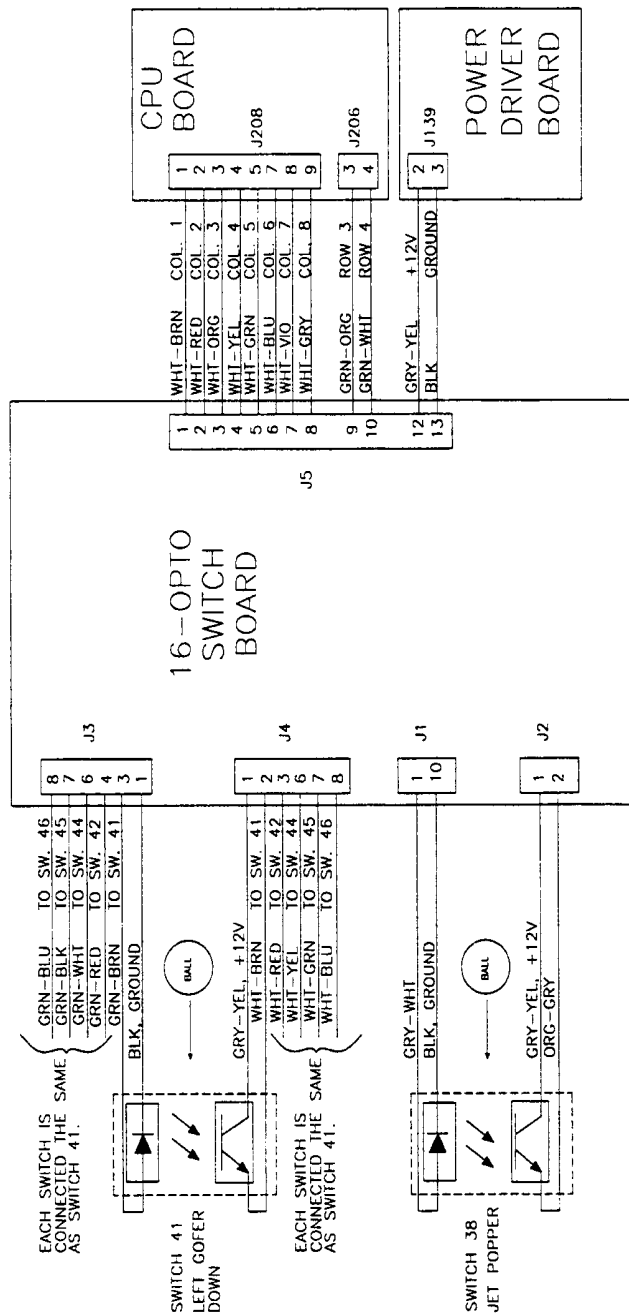
The individual playfield opto switches are:

- Switch 38 Jet Popper
- Switch 41 Left Gofer Down
- Switch 42 Right Gofer Down
- Switch 44 Putt Out Popper
- Switch 45 Right Popper Jam
- Switch 46 Right Popper

Each of these switches uses a green LED board (p/n A-16908), and a blue Photo Transistor board (p/n A-16909).

OPTO SWITCH OPERATION:

The ball rolls between the LED board and the Photo Transistor board and breaks the beam. The broken beam 'makes' the switch.



Ball Trough Opto Switches Wiring Diagram

This diagram shows the opto switches for the ball trough assembly only. See the previous page for the individual playfield opto switches.

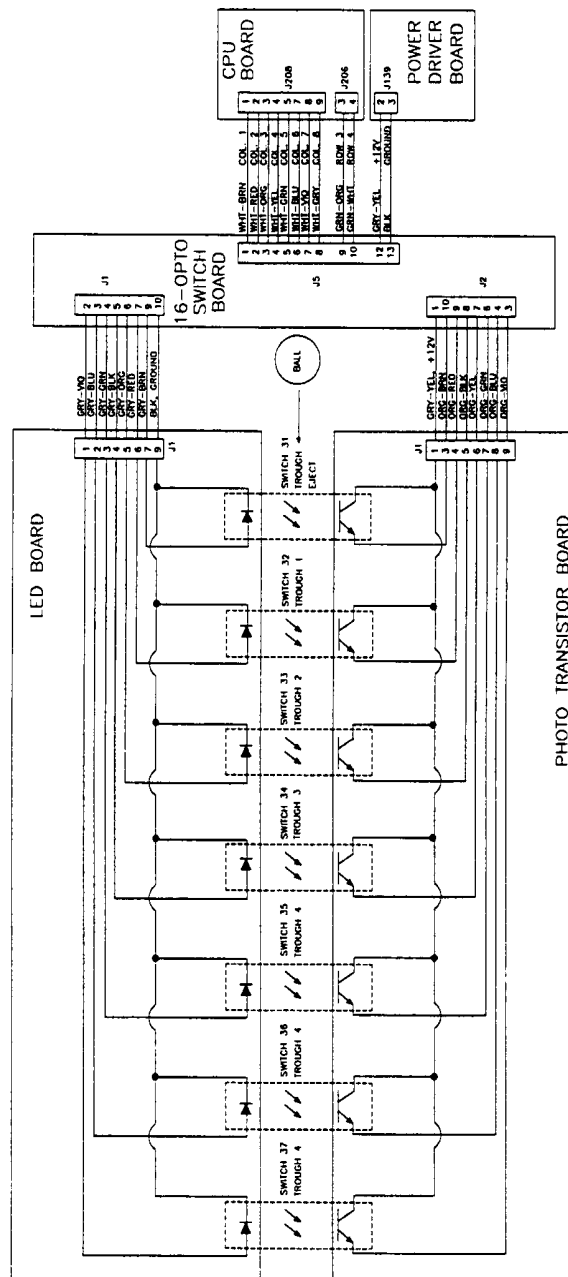
The ball trough opto switches are:

- Switch 31 Trough Eject
- Switch 32 Trough Ball 1
- Switch 33 Trough Ball 2
- Switch 34 Trough Ball 3
- Switch 35 Trough Ball 4
- Switch 36 Trough Ball 5
- Switch 37 Trough Ball 6

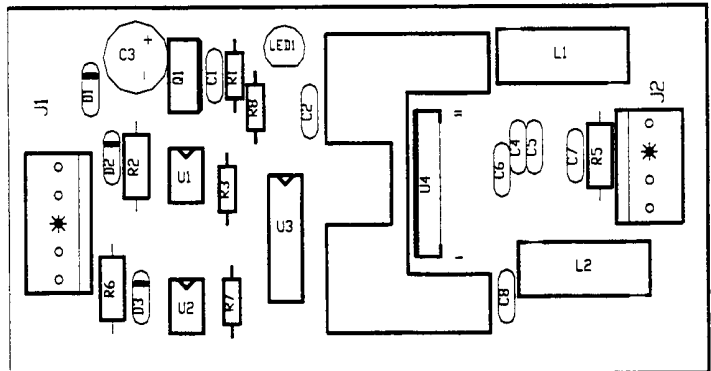
The ball trough switches use a green LED board (p/n A-18617-1), and a blue Photo Transistor board (p/n A-18618-1).

OPTO SWITCH OPERATION:

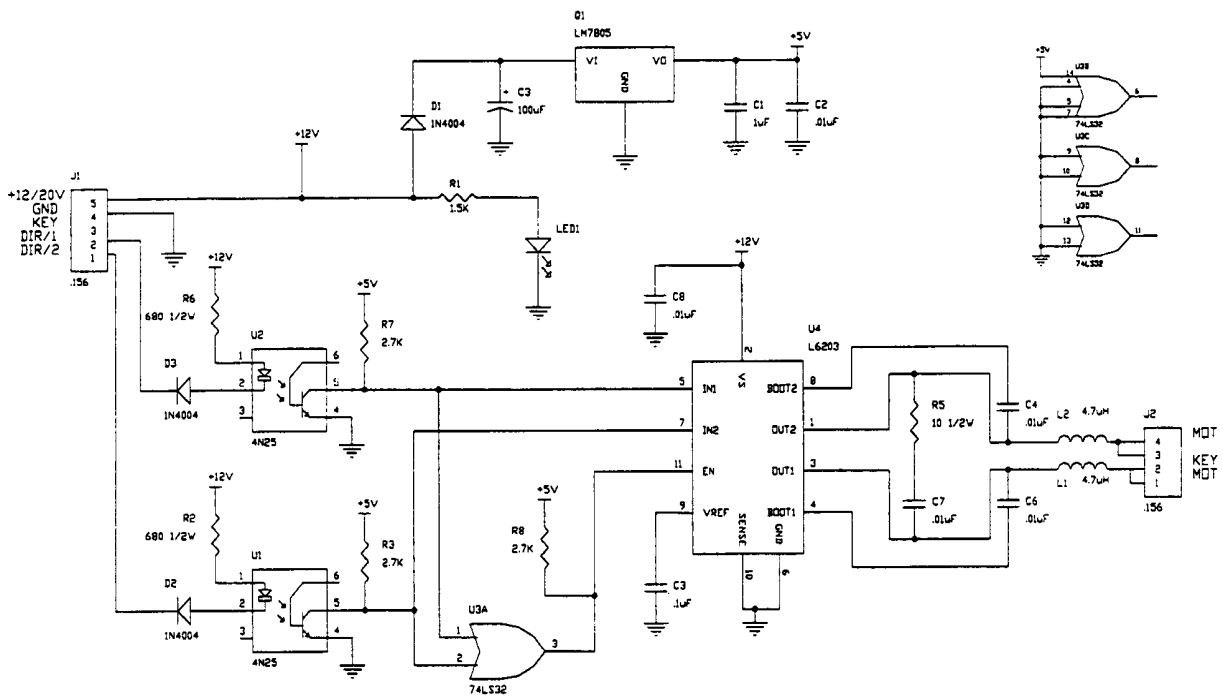
The ball rolls between the LED board and the Photo Transistor board and breaks the beam. The broken beam 'makes' the switch.



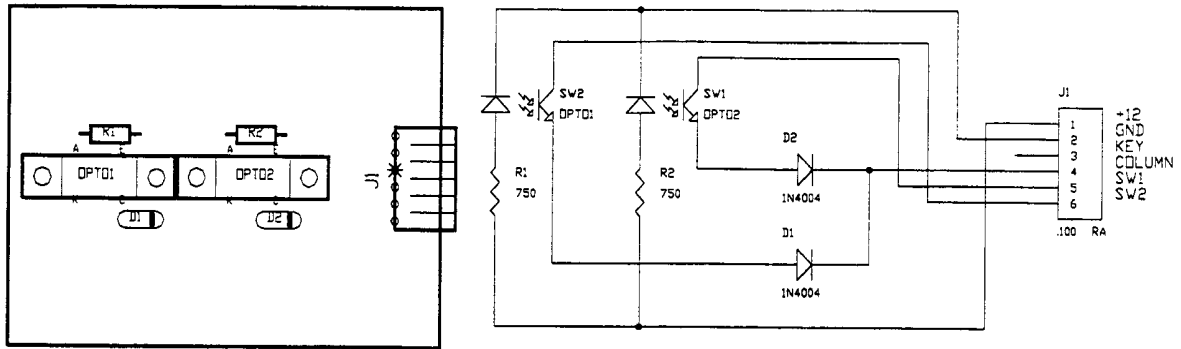
DC Motor Control Board A-16120



- | | | | |
|-------------|---|-------------|---------------|
| J1-1 | BRN-WHT To Power Driver board J110-1 for solenoid #37 drive | J2-1 | RED Motor "+" |
| J1-2 | ORG-WHT To Power Driver board J110-3 for solenoid #38 drive | J2-2 | KEY |
| J1-3 | KEY | J2-3 | N/C |
| J1-4 | BLK Ground from Power Driver board J139-3 | J2-4 | BLK Motor "-" |
| J1-5 | GRY-YEL +12V from Power Driver board J139-2 | | |

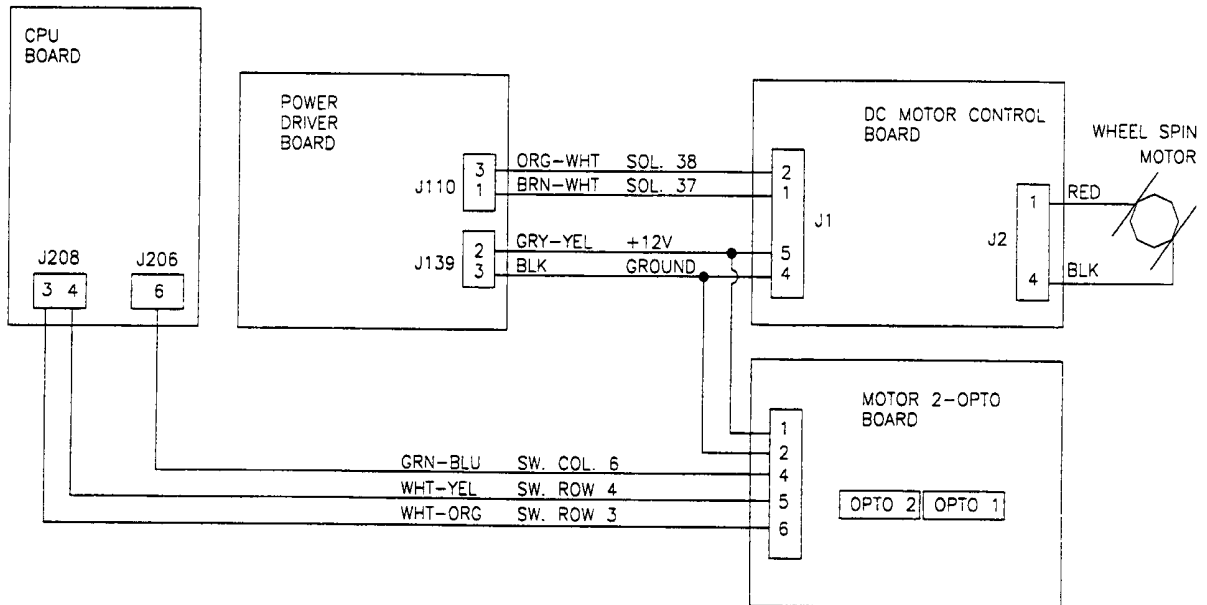


Motor 2-Opto Board A-22026



- | | | |
|------|---------|--|
| J1-1 | GRY-YEL | +12V from Power Driver board J139-2 |
| J1-2 | BLK | Ground from Power Driver board J139-3 |
| J1-3 | KEY | |
| J1-4 | GRN-BLU | Switch Column #6 from CPU board J206-6 |
| J1-5 | WHT-YEL | Switch Row #4 from CPU board J208-4 |
| J1-6 | WHT-ORG | Switch Row #3 from CPU board J208-3 |

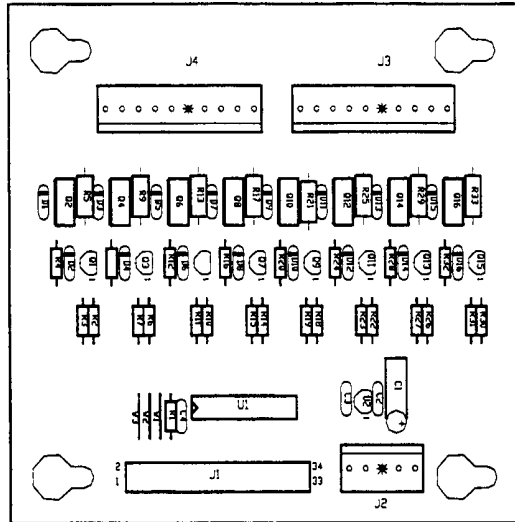
Wheel Spin Motor Wiring Diagram



The switch and solenoid circuits that control the motor are:

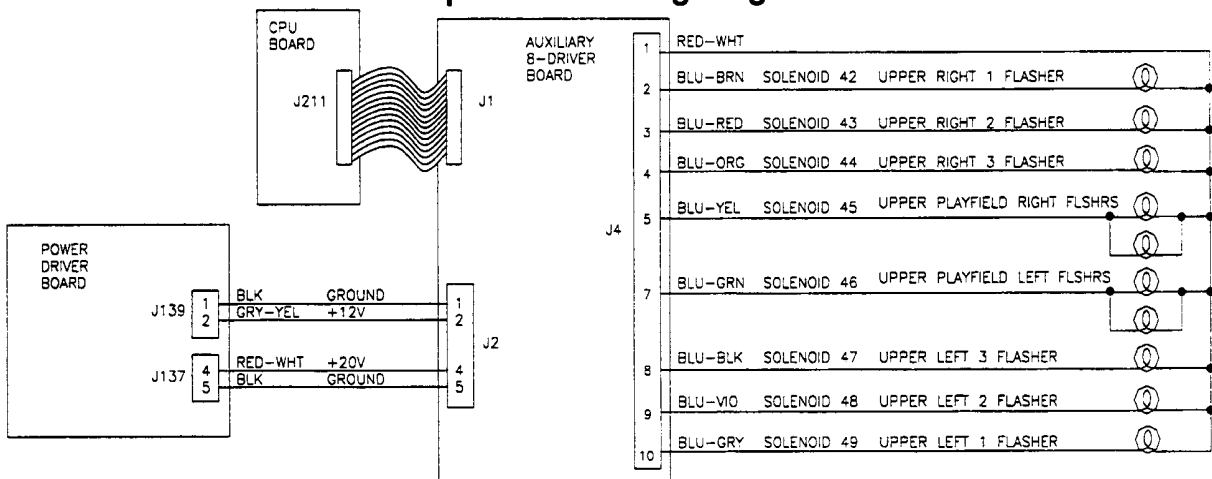
- | | |
|-------------|---------------------------------|
| Solenoid 37 | Wheel Spin (counter clock-wise) |
| Solenoid 38 | Wheel Spin (clock-wise) |
| Switch 63 | Inner Wheel (opto 1) |
| Switch 64 | Outer Wheel (opto 2) |

Auxiliary 8-driver Board A-21773

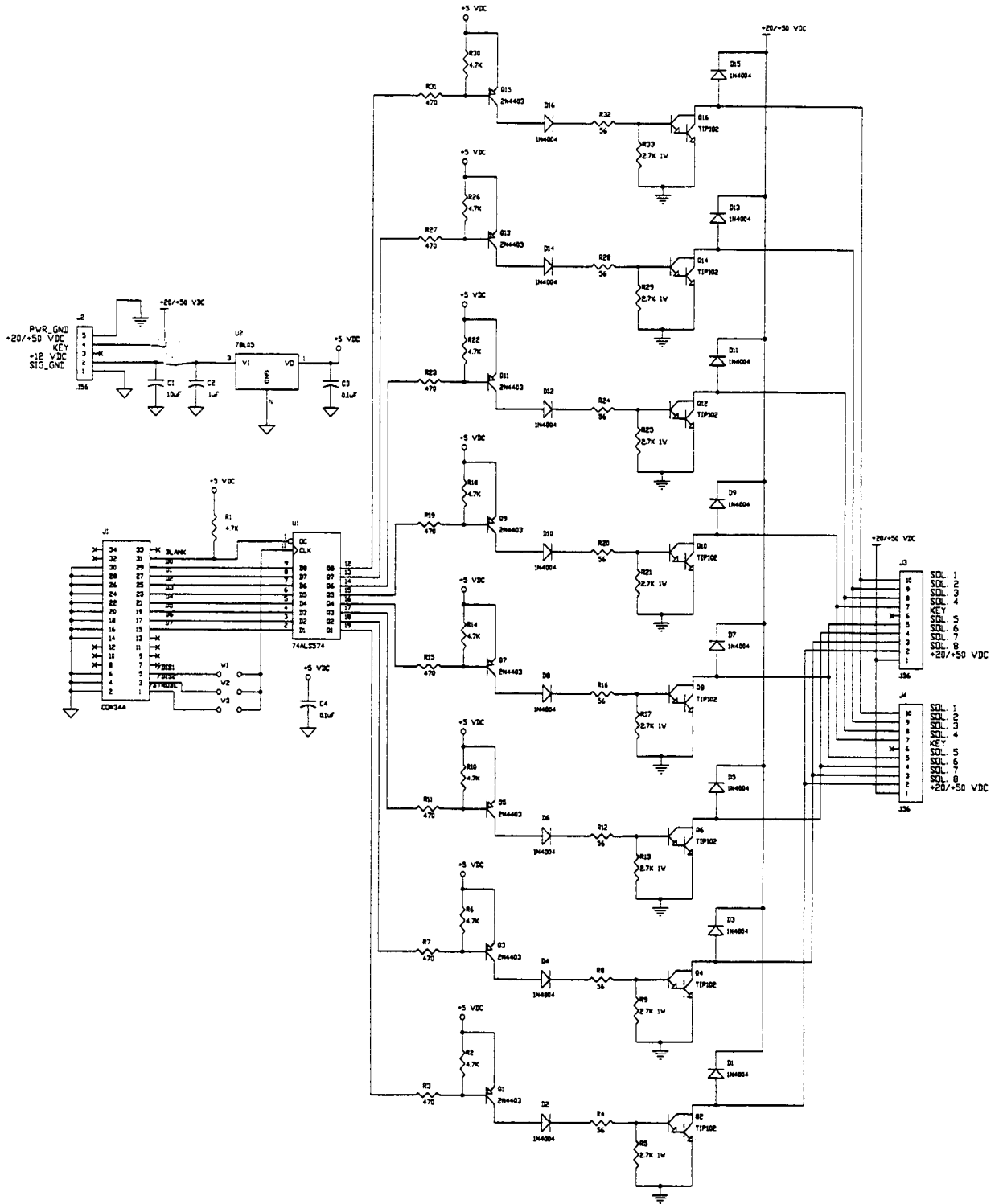


- J1** Ribbon Cable, Data to/from CPU J211
- J2-1** BLK Ground from Power Driver Board J139-3
J2-2 GRY-YEL +12V from Power Driver Board J139-2
J2-3 KEY
J2-4 RED-WHT +20V from Power Driver Board J134-5
J2-5 BLK Ground from Power Driver Board J137-4
- J3** NOT USED
- J4-1** RED-WHT +20V to Step Flashers
J4-2 BLU-BRN Solenoid #42 drive to Upper Right 1 Flasher
J4-3 BLU-RED Solenoid #43 drive to Upper Right 2 Flasher
J4-4 BLU-ORG Solenoid #44 drive to Upper Right 3 Flasher
J4-5 BLU-YEL Solenoid #45 drive to Upper Right Playfield Flasher
J4-6 KEY
J4-7 BLU-GRN Solenoid #46 drive to Upper Left Playfield Flasher
J4-8 BLU-BLK Solenoid #47 drive to Upper Left 3 Flasher
J4-9 BLU-VIO Solenoid #48 drive to Upper Left 2 Flasher
J4-10 BLU-GRY Solenoid #49 drive to Upper Left 1 Flasher

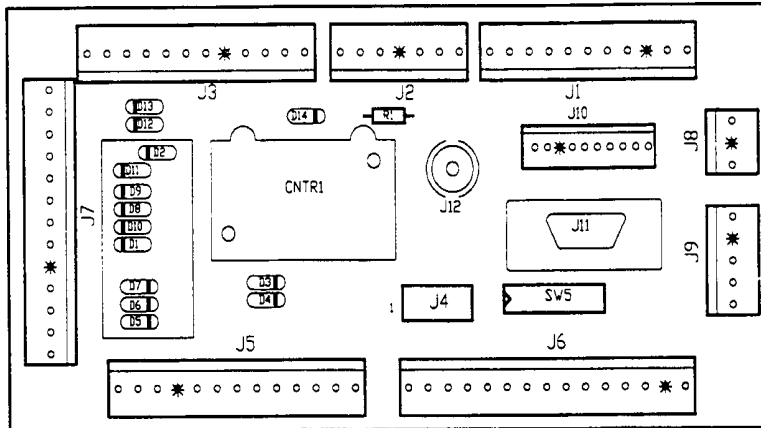
Step Flasher Wiring Diagram



Auxiliary 8-driver Board Schematic A-21773

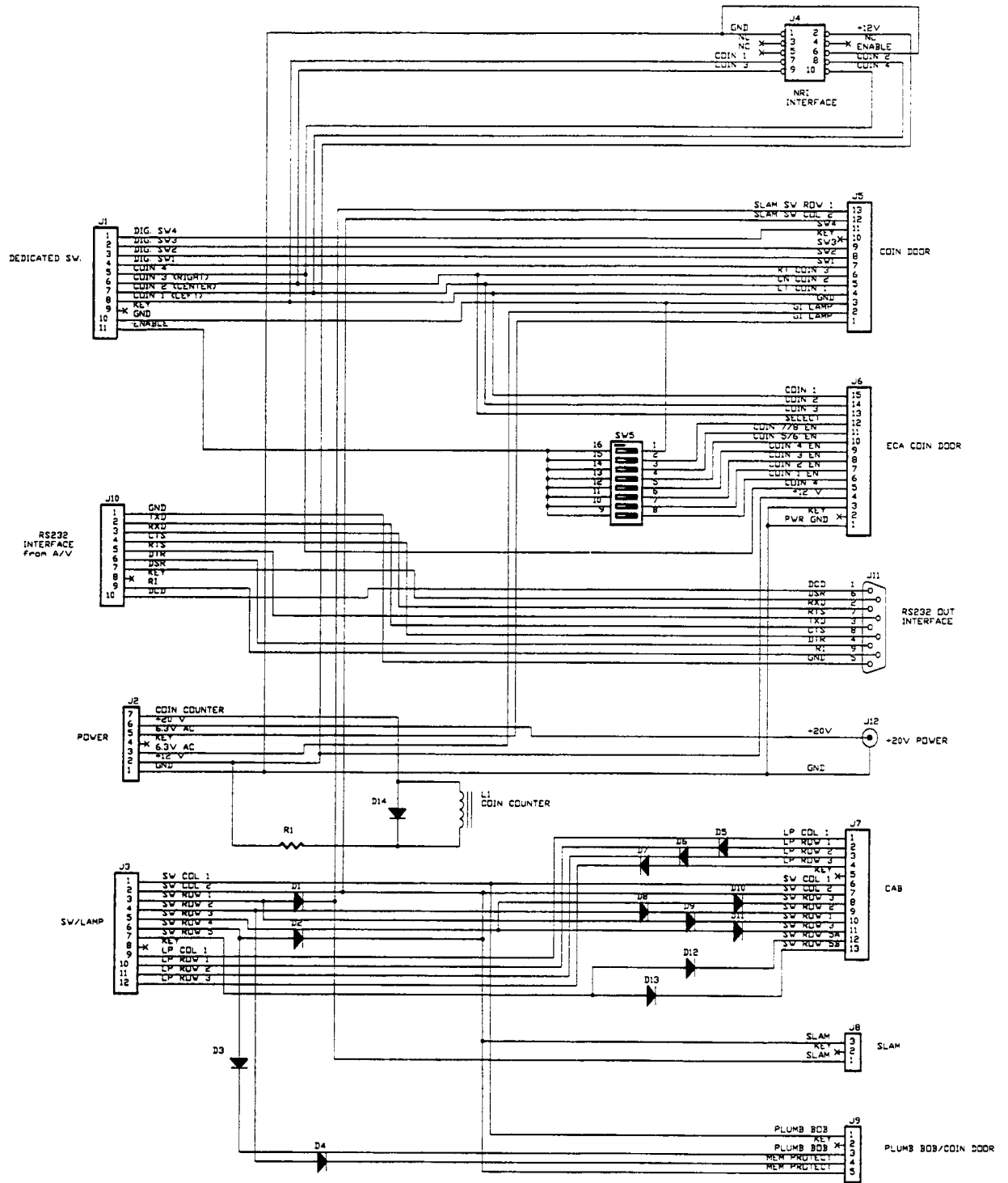


Coin Door Interface Board A-20580

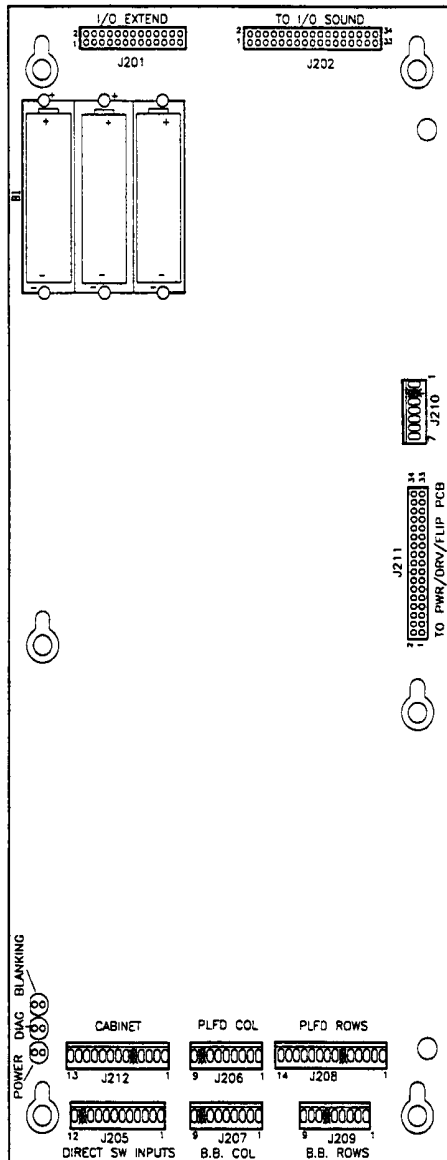


J1-1	ORG-GRY	Dedicated sw row #8 from CPU J205-9.	J6	NOT USED	
J1-2	ORG-VIO	Dedicated sw row #7 from CPU J205-8.	J7-1	YEL-GRY	Lamp column #8 to cabinet.
J1-3	ORG-BLU	Dedicated sw row #6 from CPU J205-7.	J7-2	N/C	
J1-4	ORG-GRN	Dedicated sw row #5 from CPU J205-6.	J7-3	RED-BLU	Lamp row #6 to cabinet.
J1-5	ORG-YEL	Dedicated sw row #4 from CPU J205-4.	J7-4	RED-GRY	Lamp row #8 to cabinet.
J1-6	ORG-BLK	Dedicated sw row #3 from CPU J205-3.	J7-5	KEY	
J1-7	ORG-RED	Dedicated sw row #2 from CPU J205-2.	J7-6	GRN-BRN	Switch column #1 to cabinet.
J1-8	ORG-BRN	Dedicated sw row #1 from CPU J205-1.	J7-7	N/C	
J1-9	KEY		J7-8	N/C	
J1-10	BLK	Ground from CPU J205-10	J7-9	N/C	
J1-11	ORG-WHT	Switch enable from CPU J205-12.	J7-10	WHT-BRN	Switch row #1 to cabinet.
J2-1	BLK	Ground from Power Driver board J141-3.	J7-11	WHT-ORG	Switch row #3 to cabinet.
J2-2	GRY-YEL	+12VAC from Power Driver board J141-2.	J7-12	N/C	
J2-3	WHT-VIO	6.8VAC from Power Driver board J104-1.	J7-13	N/C	
J2-4	KEY		J8-1	WHT	Switch row to cabinet for Slam tilt.
J2-5	VIO	For G.I. from Power Driver board J104-3.	J8-2	KEY	
J2-6	N/C		J8-3	GRN	Switch column to cabinet for Slam Tilt.
J2-7	BLK-WHT	Signal for coin meter from Power Driver board J139-5.	J9-1	WHT-YEL	Switch row #4 to Plumb Bob Tilt.
J3-1	GRN-BRN	Switch column #1 from CPU J212-1.	J9-2	KEY	
J3-2	GRN-RED	Switch column #2 from CPU J212-2.	J9-3	GRN-BRN	Switch column #1 to Plumb Bob Tilt.
J3-3	WHT-BRN	Switch row #1 from CPU J212-4.	J9-4	WHT-RED	Switch row #2 to Interlock Switch.
J3-4	WHT-RED	Switch row #2 from CPU J212-5.	J7-5	GRN-RED	Switch column #2 to Interlock Switch.
J3-5	WHT-ORG	Switch row #3 from CPU J212-6.	J10	Ribbon cable	To cash flow mechanism (if used).
J3-6	WHT-YEL	Switch row #4 from CPU J212-7.			
J3-7	KEY				
J3-8	YEL-GRY	Lamp col #8 from Pwr Drvr brd J122-3.			
J3-9	RED-BLU	Lamp row #6 from Pwr Drvr brd J125-7.			
J3-10	RED-VIO	Lamp row #7 from Pwr Drvr brd J125-8.			
J3-11	RED-GRY	Lamp row #8 from Pwr Drvr brd J125-9.			
J4	NOT USED				
J5-1	VIO	Return to coin door.			
J5-2	WHT-VIO	6.8VAC for G.I. to coin door.			
J5-3	BLK	Ground to coin door.			
J5-4	ORG-BRN	Dedicated switch row #1 to coin door.			
J5-5	ORG-RED	Dedicated switch row #2 to coin door.			
J5-6	ORG-BLK	Dedicated switch row #3 to coin door.			
J5-7	ORG-GRN	Dedicated switch row #5 to coin door.			
J5-8	ORG-BLU	Dedicated switch row #6 to coin door.			
J5-9	ORG-VIO	Dedicated switch row #7 to coin door.			
J5-10	KEY				
J5-11	ORG-GRY	Dedicated switch row #8 to coin door.			
J5-12	GRN-RED	Switch column #2 to coin door Slam Tilt.			
J5-13	WHT-BRN	Switch row #1 to coin door Slam Tilt.			

Coin Door Interface Board Schematic A-20580



Security CPU Board Assembly A-21377-50061



J201 26-pin ribbon cable Data to/from J602.

J202 34-pin ribbon cable Data to/from J601.

J203 & J204 NOT USED

J205-1 ORG-BRN Dedicate sw row #1 to Coin Door brd J1-8.
 J205-2 ORG-RED Dedicate sw row #2 to Coin Door brd J1-7.
 J205-3 ORG-BLK Dedicate sw row #3 to Coin Door brd J1-6.
 J205-4 ORG-YEL Dedicate sw row #4 to Coin Door brd J1-5.
 J205-5 N/C
 J205-6 ORG-GRN Dedicate sw row #5 to Coin Door brd J1-4.
 J205-7 ORG-BLU Dedicate sw row #6 to Coin Door brd J1-3.
 J205-8 ORG-VIO Dedicate sw row #7 to Coin Door brd J1-2.
 J205-9 ORG-GRY Dedicate sw row #8 to Coin Door brd J1-1.
 J205-10 BLK Ground to Coin Door board J1-10.
 J205-11 KEY
 J205-12 ORG-WHT Switch enable to Coin Door brd J1-11.

J206-1 GRN-BRN Switch column #1 to playfield switches.
 J206-2 GRN-RED Switch column #2 to playfield switches.
 J206-3 GRN-ORG Switch column #3 to playfield switches.
 J206-4 GRN-WHT Switch column #4 to playfield switches.
 J206-5 GRN-BLK Switch column #5 to playfield switches.
 J206-6 GRN-BLU Switch column #6 to playfield switches.
 J206-7 GRN-VIO Switch column #7 to playfield switches.
 J206-8 KEY
 J206-9 GRN-GRY Switch Column #8 to playfield switches

J207 NOT USED

J208-1 WHT-BRN Switch row #1 to playfield switches.
 J208-2 WHT-RED Switch row #2 to playfield switches.
 J208-3 WHT-ORG Switch row #3 to playfield switches.
 J208-4 WHT-YEL Switch row #4 to playfield switches.
 J208-5 WHT-GRN Switch row #5 to playfield switches.
 J208-6 KEY
 J208-7 WHT-BLU Switch row #6 to playfield switches.
 J208-8 WHT-VIO Switch row #7 to playfield switches.
 J208-9 WHT-GRY Switch row #8 to playfield switches.
 J208-10 N/C
 J208-11 BLK-VIO To upper right E.O.S. switch #F5
 J208-12 BLK-BLU To lower left E.O.S. switch #F3.
 J208-13 BLK-GRN To lower right E.O.S. switch #F1.
 J208-14 ORG E.O.S. switch ground.

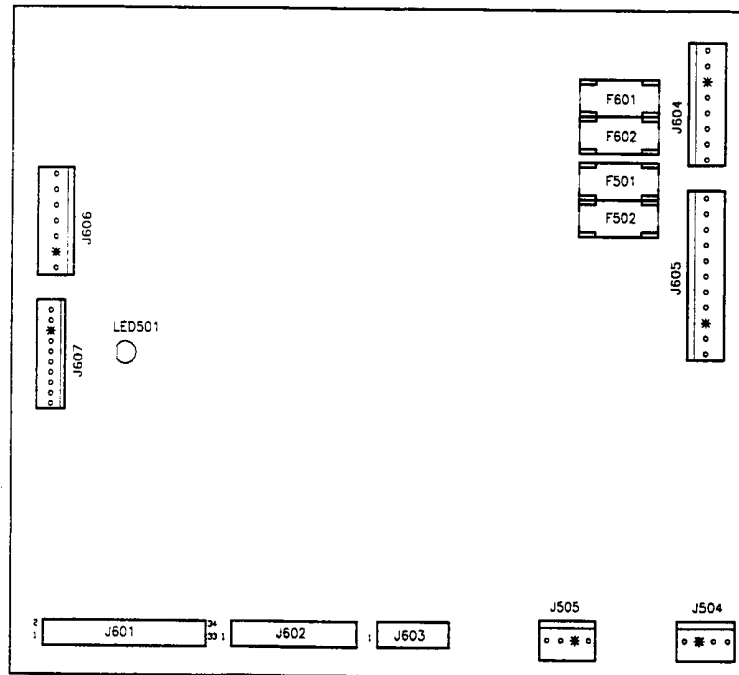
J209 NOT USED

J210-1 BLK Ground from Power Driver brd J101-5, 7.
 J210-2 KEY
 J210-3 BLK Ground from Power Driver brd J101-5, 7.
 J210-4 GRY +5V from Power Driver board J101-3, 4.
 J210-5 GRY +5V from Power Driver board J101-3, 4.
 J210-6 GRY-GRN +12V from Power Driver board J101-1, 2.
 J210-7 GRY-GRN +12V from Power Driver board J101-1, 2.

J211 34-pin ribbon cable Data to/from J102 & J1 Aux 8-driver board.

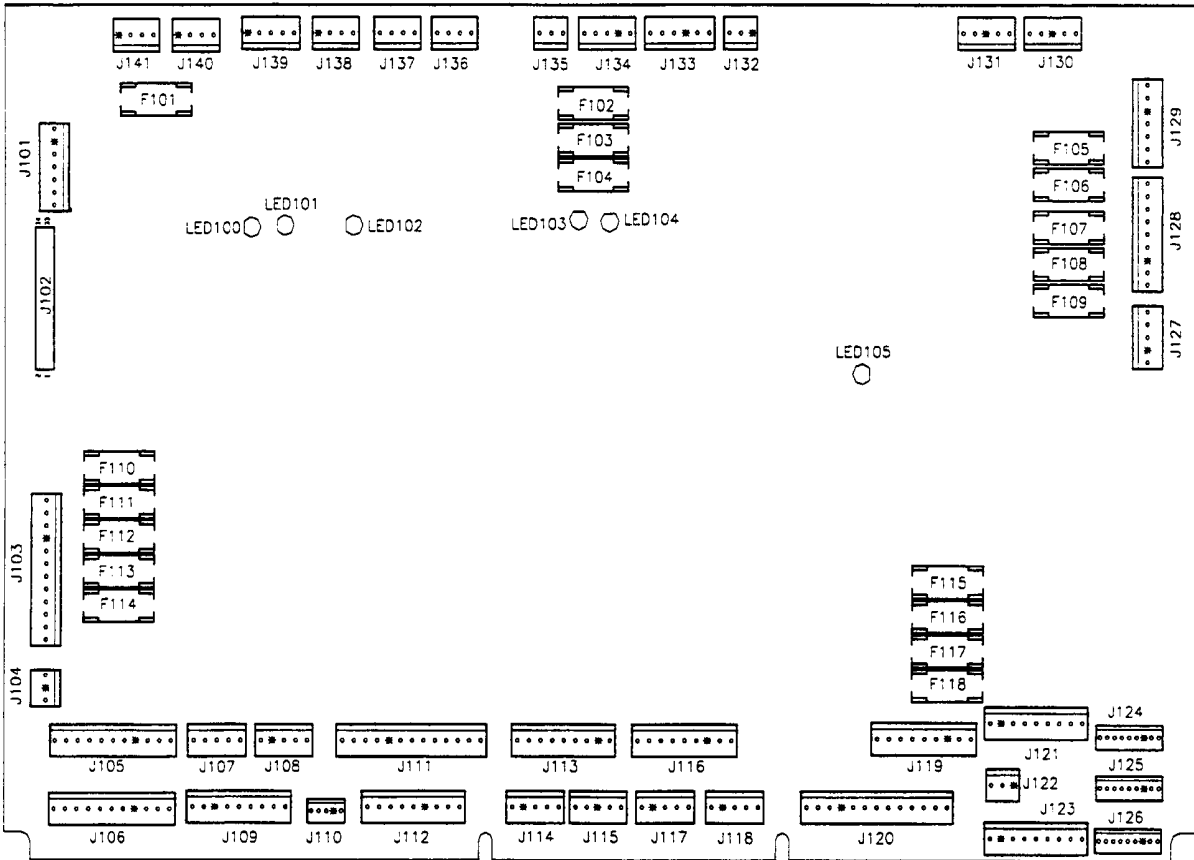
J212-1 GRN-BRN Switch col. #1 to Coin Door board J3-1.
 J212-2 GRN-RED Switch col. #2 to Coin Door board J3-2.
 J212-3 N/C
 J212-4 WHT-BRN Switch row #1 to Coin Door board J3-3.
 J212-5 KEY
 J212-6 WHT-RED Switch row #2 to Coin Door board J3-4.
 J212-7 WHT-ORG Switch row #3 to Coin Door board J3-5
 J212-8 WHT-YEL Switch row #4 to Coin Door board J3-6
 J212-9 BLK-BLU To switch #F8 left flipper opto brd J1-1.
 J212-10 BLK-YEL To switch #F6 right flipper opto brd J1-1.
 J212-11 BLU-GRY To switch #F4 left flipper opto brd J1-2.
 J212-12 BLU-VIO To switch #F2 right flipper opto brd J1-2.
 J212-13 ORG Ground to left flipper opto board J1-4.

Audio Visual Board Assembly A-20516-50061



J601	34-pin ribbon cable	Data to/from CPU J202.	J504-1	BLK-YEL	Signal to speaker.
J602	26-pin ribbon cable	Data to/from CPU J201.	J504-2	KEY	
J603	14-pin ribbon cable	Data to/from Dot Matrix Display Driver board.	J504-3	N/C	
J604-1	ORG	+125V to Dot Matrix Display	J504-4	BLK	Signal to speaker.
J604-2	BLU	+113V to Dot Matrix Display	J505-1	BLK-YEL	Signal to speaker.
J604-3	KEY		J505-2	KEY	
J604-4	BLK	Ground to Dot Matrix Display	J505-3	N/C	
J604-5	BLK	Ground to Dot Matrix Display	J505-4	BLK	Signal to speaker.
J604-6	GRY	+5V to Dot Matrix Display			
J604-7	GRY-YEL	+12V to Dot Matrix Display			
J604-8	BRN	+62V to Dot Matrix Display			
J605-1	WHT	80VAC from transformer secondary.			
J605-2	WHT	80VAC from transformer secondary.			
J605-3	VIO	100VAC from transformer secondary.			
J605-4	VIO	100VAC from transformer secondary.			
J605-5	GRY-WHT	18VAC from transformer secondary.			
J605-6	GRY-WHT	Loop from J605-7.			
J605-7	GRY	18VAC from transformer secondary.			
J605-8	GRY	Loop from J605-7.			
J605-9	KEY				
J605-10	GRY-GRN	18VAC from transformer secondary.			
J605-11	GRY-GRN	Loop from J605-10.			
J606-1	BLK	Ground from Power Driver brd J101-7.			
J606-2	KEY				
J606-3	BLK	Ground from Power Driver brd J101-5.			
J606-4	GRY	+5V from Power Driver board J101-4.			
J606-5	GRY	+5V from Power Driver board J101-3.			
J606-6	GRY-GRN	+12V from Power Driver board J101-2.			
J606-7	GRY-GRN	+12V from Power Driver board J101-1.			
J607	NOT USED				

Power Driver Board Assembly A-20028



J101-1	GRY-GRN	+12V to J210-6, 7; J606-1.	J105-1	N/C	
J101-2	GRY-GRN	+12V to J210-6, 7; J606-2.	J105-2	N/C	
J101-3	GRY	+5V to J210-4, 5; J3-1, 3; J606-3.	J105-3	YEL	Return for G.I. to insert panel.
J101-4	GRY	+5V to J210-4, 5; J3-1, 3; J606-4.	J105-4	KEY	
J101-5	BLK	Ground to J210-1, 3; J606-5.	J105-5	GRN	Return for G.I. to insert panel.
J101-6	KEY		J105-6	VIO	Return for G.I. to insert panel.
J101-7	BLK	Ground to J210-1,3; J606-7.	J105-7	N/C	
			J105-8	N/C	
J102	34-pin ribbon cable	Data to/from CPU J211.	J105-9	WHT-YEL	6.8VAC for G.I. to insert panel.
			J105-10	WHT-GRN	6.8VAC for G.I. to insert panel.
			J105-11	WHT-VIO	6.8VAC for G.I. to insert panel.
J103-1	YEL-WHT	6.8Vac from transformer secondary.	J106-1	BRN	Return for G.I. to playfield.
J103-2	WHT-BRN	6.8Vac from transformer secondary.	J106-2	ORG	Return for G.I. to playfield.
J103-3	WHT-BRN	6.8Vac from transformer secondary.	J106-3	YEL	Return for G.I. to playfield.
J103-4	WHT-ORG	6.8Vac from transformer secondary.	J106-4	KEY	
J103-5	WHT-YEL	6.8Vac from transformer secondary.	J106-5	N/C	
J103-6	WHT-YEL	6.8Vac from transformer secondary.	J106-6	N/C	
J103-7	ORG	6.8Vac from transformer secondary.	J106-7	WHT-BRN	6.8VAC for G.I. to playfield.
J103-8	ORG	6.8Vac from transformer secondary.	J106-8	WHT-ORG	6.8VAC for G.I. to playfield.
J103-9	KEY		J106-9	WHT-YEL	6.8VAC for G.I. to playfield.
J103-10	GRN	6.8Vac from transformer secondary.	J106-10	N/C	
J103-11	BRN	6.8Vac from transformer secondary.	J106-11	N/C	
J103-12	BRN	6.8Vac from transformer secondary.	J107	NOT USED	
J104-1	WHT-VIO	6.8VAC for G.I. to Coin Door brd J2-5.	J108	NOT USED	
J104-2	KEY				
J104-3	VIO	Return for G.I. to Coin Door board J2-3.			

Power Driver Board Continued...

J109-1	BLU-BRN	For solenoid #25 drive to playfield flasher	J119-1	RED-GRN	+50V to lower right flipper coil.
J109-2	BLU-RED	For solenoid #26 drive to playfield flasher	J119-2	RED-GRN	Loop from J119-1.
J109-3	BLU-ORG	For solenoid #27 drive to playfield coil	J119-3	KEY	
J109-4	BLU-YEL	For solenoid #28 drive to playfield coil	J119-4	RED-BLU	+50V to lower left flipper coil
J109-5	N/C		J119-5	RED-BLU	Loop from J119-4
J109-6	N/C		J119-6	RED-VIO	+50V to upper right flipper coil
J109-7	KEY		J119-7	RED-VIO	Loop from J119-6.
J109-8	RED-ORG	For solenoid #27 tieback diode	J119-8	RED-GRY	+50V for solenoid #35 Ball Launch Ramp
J109-9	RED-ORG	For solenoid #28 tieback diode	J119-9	RED-GRY	Loop from J119-8
J110-1	BRN-WHT	For solenoid #37 drive to DC Motor Control board.	J120-1	ORG-GRY	For sol. #36 not used
J110-2	KEY		J120-2	N/C	
J110-3	ORG-WHT	For solenoid #38 drive to DC Motor Control board.	J120-3	YEL-GRY	For sol. #35 drive to Ball Launch Ramp
J110-4			J120-4	N/C	
J110-5			J120-5	ORG-VIO	For sol. #34 hold drive to upper right flipper
J111-1	BLK-BRN	For solenoid #17 drive to playfield flasher.	J120-6	YEL-VIO	For sol. #33 power drive to upper right flipper
J111-2	BLK-RED	For solenoid #18 drive to playfield flasher.	J120-7	ORG-BLU	For sol. #32 hold drive to low left flipper.
J111-3	BLK-ORG	For solenoid #19 drive to playfield flasher.	J120-8	N/C	
J111-4	BLK-YEL	For solenoid #20 drive to playfield flasher.	J120-9	YEL-BLU	For sol. #31 power drive to low left flipper.
J111-5	BLU-GRN	For solenoid #21 drive to playfield flasher.	J120-10	KEY	
J111-6	N/C		J120-11	ORG-GRN	For sol. #30 hold drive to low right flipper.
J111-7	BLU-VIO	NOT USED	J120-12	N/C	
J111-8	BLU-GRY	For solenoid #24 drive to playfield coil	J120-13	YEL-GRN	For sol. #29 power drive to low right flipper.
J111-9	KEY		J121-1	YEL-BRN	For lamp column #1 to playfield.
J111-10	RED-ORG	For solenoid #24 tieback diode	J121-2	YEL-RED	For lamp column #2 to playfield.
J111-11	RED-ORG	For solenoid #24 tieback diode	J121-3	YEL-ORG	For lamp column #3 to playfield.
J111-12	N/C		J121-4	YEL-BLK	For lamp column #4 to playfield.
J111-13	N/C		J121-5	YEL-GRN	For lamp column #5 to playfield.
J112	NOT USED		J121-6	YEL-BLU	For lamp column #6 to playfield.
J113-1	BRN-BLK	For solenoid #9 drive to playfield coil.	J121-7	YEL-VIO	For lamp column #7 to playfield.
J113-2	KEY		J121-8	KEY	
J113-3	BRN-RED	For solenoid #10 drive to playfield coil.	J121-9	YEL-GRY	For lamp column #8 to playfield.
J113-4	BRN-ORG	For solenoid #11 drive to playfield coil.	J122-1	KEY	
J113-5	BRN-YEL	For solenoid #12 drive to playfield coil.	J122-2	N/C	
J113-6	BRN-GRN	For solenoid #13 drive to playfield coil.	J122-3	YEL-GRY	For lamp column #8 to cabinet.
J113-7	BRN-BLU	For solenoid #14 drive to playfield coil.	J123	NOT USED	
J113-8	BRN-VIO	For solenoid #15 drive to playfield coil.	J124-1	RED-BRN	For lamp row #1 to playfield.
J113-9	BRN-GRY	For solenoid #16 drive to playfield coil.	J124-2	RED-BLK	For lamp row #2 to playfield.
J114	NOT USED		J124-3	KEY	
J115	NOT USED		J124-4	RED-ORG	For lamp row #3 to playfield.
J116-1	VIO-BRN	For solenoid #1 drive to playfield coil.	J124-5	RED-YEL	For lamp row #4 to playfield.
J116-2	VIO-RED	For solenoid #2 drive to playfield coil	J124-6	RED-GRN	For lamp row #5 to playfield.
J116-3	KEY		J124-7	RED-BLU	For lamp row #6 to playfield.
J116-4	VIO-ORG	For solenoid #3 drive to playfield coil.	J124-8	RED-VIO	For lamp row #7 to playfield.
J116-5	VIO-YEL	For solenoid #4 drive to playfield coil.	J124-9	RED-GRY	For lamp row #8 to playfield.
J116-6	VIO-GRN	For solenoid #5 drive to playfield coil.	J125-1	N/C	
J116-7	VIO-BLU	For solenoid #6 drive to playfield coil.	J125-2	N/C	
J116-8	VIO-BLK	For solenoid #7 drive to playfield coil.	J125-3	KEY	
J116-9	VIO-GRY	For solenoid #8 drive to playfield coil.	J125-4	N/C	
J117	NOT USED		J125-5	N/C	
J118	NOT USED		J125-6	N/C	
			J125-7	RED-BLU	For lamp row #6 to coin door board J3-9.
			J125-8	RED-VIO	For lamp row #7 to coin door brd J3-10.
			J125-9	RED-GRY	For lamp row #8 to coin door brd J3-11.
			J126	NOT USED	
			J127-1	WHT-GRN	9.8VAC from transformer secondary.
			J127-2	WHT-GRN	9.8VAC loop from J127-1.
			J127-3	WHT-GRN	9.8VAC from transformer secondary.
			J127-4	KEY	
			J127-5	WHT-GRN	9.8VAC loop from J127-3.

Power Driver Board Continued...

J128-1	WHT-RED	16VAC loop from J128-2.
J128-2	WHT-RED	16VAC from transformer secondary.
J128-3	WHT-RED	16VAC loop from J128-4.
J128-4	WHT-RED	16VAC from transformer secondary.
J128-5	BLK-YEL	16VAC loop from J128-6
J128-6	BLK-YEL	16VAC from transformer secondary.
J128-7	KEY	
J128-8	BLK-YEL	16VAC loop from J128-9.
J128-9	BLK-YEL	16VAC from transformer secondary.
J129-1	RED	9VAC from transformer secondary.
J129-2	RED	9VAC from transformer secondary.
J129-3	KEY	
J129-4	BLU-WHT	13VAC from transformer secondary.
J129-5	BLU-WHT	13VAC loop from J129-4.
J129-6	BLU-WHT	13VAC from transformer secondary.
J129-7	BLU-WHT	13VAC loop from J129-6.
J130	NOT USED	
J131	NOT USED	
J132	NOT USED	
J133-1	RED-ORG	+50V to coils
J133-2	RED-BRN	+50V to coils.
J133-3	RED-BLK	+50V to coils.
J133-4	KEY	
J133-5	N/C	
J133-6	RED-WHT	+20V to playfield flashers.
J134-1	N/C	
J134-2	N/C	
J134-3	N/C	
J134-4	KEY	
J134-5	RED-WHT	+20V to Aux 8-driver Board J2-4
J135	NOT USED	
J136	NOT USED	
J137-1	N/C	
J137-2	N/C	
J137-3	N/C	
J137-4	BLK	Ground to Aux 8-driver Board J2-5
J138-1	KEY	
J138-2	GRY-YEL	+12v
J138-3	BLK	Ground
J138-4	N/C	
J139-1	KEY	
J139-2	GRY-YEL	+12V to playfield PC boards.
J139-3	BLK	Ground to playfield PC boards.
J139-4	N/C	
J139-5	BLK-WHT	Signal for coin meter to coin door brd J2-7.
J140-1	KEY	
J140-2	GRY-YEL	+12V
J140-3	BLK	Ground
J140-4	N/C	
J141-1	KEY	
J141-2	GRY-YEL	+12V to Coin Door board J2-2.
J141-3	BLK	Ground to Coin Door board J2-1.
J141-4	N/C	

LAMP MATRIX

Yellow (B+)

Red

Column Row	1 Yellow-Brown J121-1 Q96	2 Yellow-Red J121-2 Q100	3 Yellow-Orange J121-3 Q95	4 Yellow-Black J121-4 Q99	5 Yellow-Green J121-5 Q94	6 Yellow-Blue J121-6 Q98	7 Yellow-Violet J121-7 Q93	8 Yellow-Gray J121-9 Q97
1 Red-Brown J125-1 Q104	OUTLANE EXTRA BALL 11	HOLE 5 21	HOLE 6 31	DRIVING RANGE 41	(K)ICK 51	4 STROKES 61	ADVANCE TRAP 71	SIDE RAMP DRIVE 81
2 Red-Black J125-2 Q108	KICKBACK 12	HOLE 4 22	HOLE 7 32	INCREASE GOLF CART 42	K(I)CK 52	3 STROKES 62	CENTER DRIVE 72	EXTRA BALL 82
3 Red-Orange J125-4 Q103	LOWER DRIVING RANGE 13	HOLE 3 23	HOLE 2 33	INCREASE BUZZ VALUE 43	K(I)CK 53	2 STROKES 63	CENTER LOCK 73	MULTIBALL 83
4 Red-Yellow J125-5 Q107	SHOOT AGAIN 14	HIT BUD 24	HIT BUZZ 34	INCREASE BUD VALUE 44	KIC(K) 54	5 STROKES 64	GET T.N.T 74	JACKPOT 84
5 Red-Green J125-6 Q102	SPECIAL 15	HOLE 1 25	HOLE 9 35	NEWTON DRIVE 45	SKILL SHOT 55	7 STROKES 65	CENTER RAISE GOFER 75	PUTT OUT 85
6 Red-Blue J125-7 Q106	WHEEL VALUE 16	2X 26	4X 36	COLLECT 46	RELIGHT JACKPOT 56	6 STROKES 66	RIGHT SPINNER 76	TOP JET BUMPER 86
7 Red-Violet J125-8 Q101	JET LIGHTNING 17	CART PATH 2 27	CART PATH 4 37	RIP OFF 47	RIGHT RAMP LOCK 57	LEFT SPINNER 67	RIGHT LOOP DRIVE 77	MIDDLE JET BUMPER 87
8 Red-Gray J125-9 Q105	HOLE 8 18	5X CART PATH 28	3X 38	LEFT LOOP DRIVE 48	RIGHT RAMP DRIVE 58	TRAP READY 68	BOTTOM JET BUMPER 78	START BUTTON 88

J1XX = Power Driver Board

SWITCH MATRIX

White

Green

DEDICATED GROUNDED SWITCHES	Column Row	1 Green-Brown J206-1 U20-18	2 Green-Red J206-2 U20-17	3 Green-Orange J206-3 U20-16	4 Green-White J206-4 U20-15	5 Green-Black J206-5 U20-14	6 Green-Blue J206-6 U20-13	7 Green-Violet J206-7 U20-12	8 Green-Gray J206-9 U20-11	FLIPPER GROUNDED SWITCHES
Orange-Brown J205-1 LEFT COIN CHUTE U17-5 D1	1 White-Brown J208-1 U18-11	NOT USED 11	SLAM TILT 21	TROUGH EJECT 31	LEFT GOFER DOWN 41	LEFT SLINGSHOT 51	LEFT SPINNER 61	LEFT CART PATH 71	K-I-C-K ADVANCE 81	BLACK-GREEN J208-13 LOWER RIGHT FLIPPER E.O.S. F1
Orange-Red J205-2 CENTER COIN CHUTE U17-7 D2	2 White-Red J208-2 U18-9	LEFT RAMP MAKE 12	COIN DOOR CLOSED 22	TROUGH BALL 1 32	RIGHT GOFER DOWN 42	RIGHT SLINGSHOT 52	RIGHT SPINNER 62	RIGHT CART PATH 72	(K)ICK 82	BLUE-VIOLET J212-12 LOWER RIGHT FLIPPER OPTO F2
Orange-Black J205-3 RIGHT COIN CHUTE U17-11 D3	3 White-Orange J208-3 U18-5	START BUTTON 13	JET ADVANCE STANDUP 23	TROUGH BALL 2 33	NOT USED 43	TOP JET BUMPER 53	INNER WHEEL OPTO 63	RIGHT RAMP MAKE 73	K(I)CK 83	BLACK-BLUE J208-12 LOWER LEFT FLIPPER E.O.S. F3
Orange-Yellow J205-4 4TH COIN CHUTE U17-9 D4	4 White-Yellow J208-4 U18-7	PLUMB BOB TILT 14	ALWAYS CLOSED 24	TROUGH BALL 3 34	PUTT OUT POPPER 44	MIDDLE JET BUMPER 54	OUTER WHEEL OPTO 64	GOLF CART 74	KI(C)K 84	BLUE-GRAY J212-11 LOWER LEFT FLIPPER OPTO F4
Orange-Green J205-6 U16-9 Normal Test Function Escape Brv Crdts D5	5 White-Green J208-5 U19-11	CENTER RAMP MAKE 15	UNDER- GROUND PASS 25	TROUGH BALL 4 35	RIGHT POPPER JAM 45	BOTTOM JET BUMPER 55	LEFT GOFER 1 65	RIGHT GOFER 1 75	KIC(K) 85	BLACK-VIOLET J208-11 UPPER RIGHT FLIPPER E.O.S. F5
Orange-Blue J205-7 U16-11 Normal Test Function Volume Dn D6	6 White-Blue J208-7 U19-9	LEFT OUTLANE 16	LEFT IN-LANE 26	TROUGH BALL 5 36	RIGHT POPPER 46	TOP SKILL SHOT 56	LEFT GOFER 2 66	RIGHT GOFER 2 76	CAPTIVE BALL 86	BLACK-YELLOW J212-10 UPPER RIGHT FLIPPER OPTO F6
Orange-Violet J205-8 U16-7 Normal Test Function Volume Up D7	7 White-Violet J208-8 U19-5	RIGHT IN-LANE 17	RIGHT OUTLANE 27	TROUGH BALL 8 37	LEFT RAMP DOWN 47	MIDDLE SKILL SHOT 57	BEHIND LEFT GOFER 67	ADVANCE TRAP VALUE 77	NOT USED 87	BLACK-GRAY J208-10 UPPER LEFT FLIPPER E.O.S. F7
Orange-Gray J205-9 U16-5 Normal Test Function Begin Test D8	8 White-Gray J208-9 U19-7	SHOOTER GROOVE 18	KICKBACK 28	JET POPPER 38	RIGHT RAMP DOWN 48	LOWER SKILL SHOT 58	HOLE-IN- ONE MADE 68	SAND TRAP EJECT 78	NOT USED 88	BLACK-BLUE J212-9 UPPER LEFT FLIPPER OPTO F8

J2XX = CPU BOARD

= OPTO, TYPICALLY CLOSED

WARNINGS & NOTICES

WARNING

FOR SAFETY AND RELIABILITY, substitute parts and equipment modifications are not recommended. Use of Non-WILLIAMS parts or modifications of game circuitry, may adversely affect game play, or may cause injuries.

SUBSTITUTE PART OR EQUIPMENT MODIFICATIONS may void FCC/CANADA Type Acceptance.

BECAUSE THIS GAME IS PROTECTED by Federal copyright, trademark, and patent laws, unauthorized game conversions may be illegal under Federal law.

THIS 'CONVERSION' PRINCIPLE ALSO APPLIES to unauthorized facsimiles of WILLIAMS equipment, logos, designs, publications, assemblies, and games (or game features not deemed to be public domain), whether manufactured with WILLIAMS components or not.

NOTICE

WILLIAMS, Lane-change and Multi-ball are trademarks of WILLIAMS ELECTRONICS GAMES, INC. Entire contents of this manual © 1997 WILLIAMS ELECTRONICS GAMES, INC.

WARNING

NOTE: This equipment has been tested and found to comply with the limits for a Class A digital device, pursuant to Part 15 of the FCC Rules. These limits are designed to provide reasonable protection against harmful interference when the equipment is operated in a commercial environment. This equipment generated, uses, and can radiate radio frequency energy and if not installed and used in accordance with the instruction manual, may cause harmful interference to radio communications. Operation of this equipment in a residential area is likely to cause harmful interference in which case the user will be required to correct the interference at his own expense.

This Class B digital apparatus meets all requirements of the Canadian Interference-Causing Equipment Regulations.

Cet appareil numérique de la classe B respecte toutes les exigences du Règlement sur le matériel brouilleur du Canada.

RF Interference Notice

CABLE HARNESS PLACEMENTS and ground strap routing on this game have been designed to keep RF radiation and conduction within levels accepted by the FCC Rules.

TO MAINTAIN THESE LEVELS, reposition harnesses and reconnect ground straps to their original placements, if they become disconnected during maintenance.

FCC/CANADA STICKER. Check the back of your game to verify that an FCC/CANADA certification sticker was attached to your game at the factory. All games that leave the WILLIAMS plant have been tested and found to comply with FCC/CANADA Rules. Because the sticker is proof of this fact, legal repercussions to the owner and distributor may result, if the sticker is missing. If you receive a game that has no FCC/CANADA sticker, call WILLIAMS for advice or write us a note on your Game Registration Card. Be sure that the card bears your game's serial number.

For Service...

Call your authorized Williams Distributor

Williams Electronics Games, Inc.

3401 N. California Avenue
Chicago, IL 60618

© 1997 Williams Electronics Games, Inc. All Rights Reserved.

***CAUTION: Transport this game ONLY
With the hinged backbox DOWN!***