



NBA

MANUAL



Optional Kits available through your Distributor:

Flipper Rebuild Kit (Left) 500-6307-10

Flipper Base Plate Kit (Left) 515-6617-01

Kit includes: Flipper Base Plate (Left) pre-threaded with securing hardware; see the Flipper Drawing for view.

Flipper Rebuild Kit (Right) 500-6307-00

Flipper Base Plate Kit (Right) 515-6617-00

Kit includes: Flipper Base Plate (Left) pre-threaded with securing hardware; see the Flipper Drawing for view.

Pinball Location Maintenance Standard Kit (for NBA Pinball) 502-6002-A9

Standard Kit includes : 8 oz. Novus Wax #2 Fine (Red) (675-0003-01), Cloth, Rubber Rings (used above playfield), Bulbs (Bulb quantities vary and is limited to 25 per type), Fuses (1/per type) and 4 Pinballs. Note: Quanties, sizes and contents subject to change without notice.

Pinball Location Maintenance Deluxe Kit (for NBA Pinball) 502-6003-A9

Deluxe Kit includes : Pinball Location Maintenance Standard Kit as described above plus a quantity of Flipper Rebuild Kits. Note: Quantity varies which equals the same quantity of flippers used in this game.

▲ THIS GAME KIT INCLUDES (2) FLIPPER REBUILD KITS ▲

Plastics*Kit (for NBA Pinball) 803-5000-A9

Plastics Kit includes: Plastic Sets (830-6101-XX)

Decals*Kit (for NBA Pinball) 802-5000-A9

Decals Kit includes: Decal Set (820-6557-XX)

Mylar*Kit (for NBA Pinball) 802-5001-A9

Mylar Kit includes: Full Mylar (820-5999-A9)

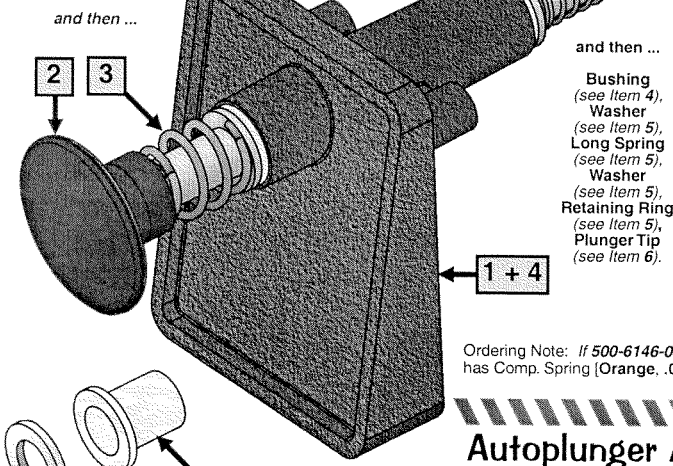
***Attention:** No individual Plastic or Decal can be ordered separately, unless noted otherwise. Plastics & Decals are subject to change without notice during and / or after production. Key Fobs subject to availability and may or may not be included in the plastic set. All designs, shapes & pieces used subject to change without notice. Kit contents subject to change. Service Bulletin(s) will announce any critical changes, if warranted. The last 2-digits shown on plastics or decals are for reference only.

Assemblies & Ramps

Ball Shooter (Plunger) Assembly, 500-6146-00-04 (Items 1-6)

Assemble into Housing in the following order:

Rod Assembly (see Item 2),
Short Spring (see Item 3),
Washer (see Item 3),
Bushing (see Item 4)
and then ...



and then ...
Bushing (see Item 4),
Washer (see Item 5),
Long Spring (see Item 5),
Washer (see Item 5),
Retaining Ring (see Item 5),
Plunger Tip (see Item 6).

Securing Hardware for Items 3 & 5 are also shown separated from the Ball Shooter (Plunger) Assembly for clarity.

Nr.	BALL SHOOTER PARTS	QTY.	SPI PART Nr.
1	Housing Asm. + Bushings (Item 4)	1	535-5067-02
Item 1 is secured to the Cabinet by: Support Plate [not included with Item 1 or Assembly] (535-5027-00), #10-32 X 1/2" PPH (Sems) Zinc TF (Qty. 3) (237-6033-00), #10 Split Lock Washer (Qty. 3) (244-5003-00) and #6 X 1/2" HWH AB (Zinc) Red (Qty. 2) (234-5001-02)			
2	Rod Assembly (with Black Knob)	1	515-6557-00
3	Comp. Spring (Short) (Knob Side)	1	266-5010-00
Item 3 is sandwiched onto Item 2 (Front Side) between the knob and by: Washer, 3/8" I.D. X 5/8" O.D. X 1/16" (242-5014-00)			
4	Bushing, 3/8" I.D. (Oilite)	2	280-5010-00
Item 4 is included with Item 1, Housing, (1 @ the front; 1 @ the back) as shown.			
5	Comp. Spring (Long) [GREEN, .035" ø]	1	266-5001-04
Item 5 is sandwiched onto Item 2 (Rubber Tip Side) by: Washer, 3/8" I.D. X 5/8" O.D. X 1/16" (Qty. 1/per side) (242-5014-00) and Retaining Ring, 3/8" ø Shaft (270-5012-00)			
6	Rubber [Plunger] Tip (Black 50 Duro)	1	545-5276-00

Ordering Note: If 500-6146-00-04 is unavailable, order the individual part(s) actually required. ... Identical to 500-6146-00-07 has Comp. Spring [Orange, .038" ø] (266-5001-07) or 500-6146-00-05 has Comp. Spring [Blue, .031" ø] (266-5001-05).

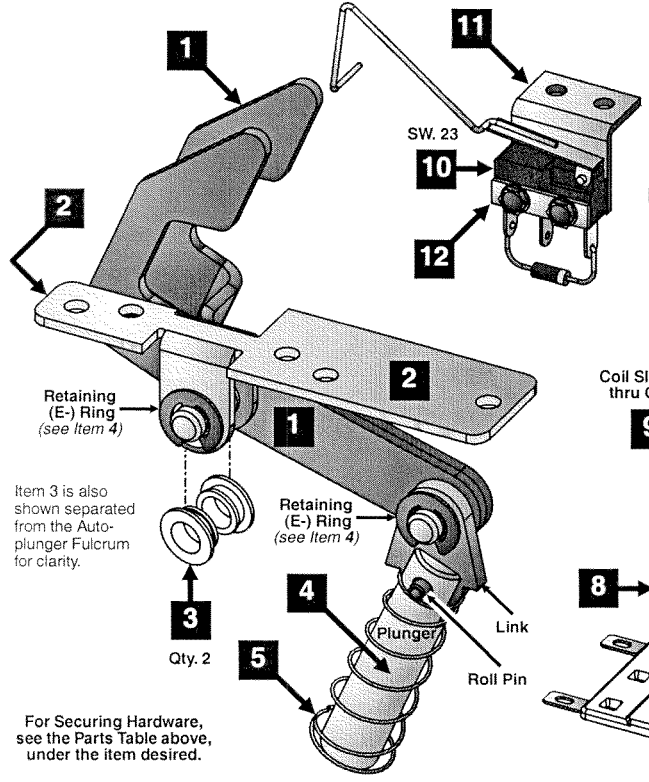
Autoplunger Arm Weld Asm., 500-6091-00 (Items 1-5), Autoplunger Coil Assembly, 500-6092-02-ND (Items 6-9) and Shooter Lane Switch Assembly, 500-6096-00 (Items 10-12)

Nr.	AUTOPL. ARM WELD PARTS	QTY.	SPI PART Nr.
1	Arm Weld Assembly	1	515-6526-00
Item 1 is secured to Item 2 by: Retaining Ring, 1/4" ø Shaft (Qty. 1) (270-5002-00)			
2	Autoplunger Fulcrum	1	535-7697-00
3	Nyliner, 1/4" (Thomson #411-FF)	2	545-5423-00
4	Plunger & Link Assembly	0	511-5183-00
Item 4 is secured to Item 1 by: Retaining Ring, 1/4" ø Shaft (Qty. 1) (270-5002-00)			
For Individual Items use : Plunger 1.81" Lg. (530-5025-05), Plunger Link (545-5293-00) and Roll Pin 1/8" ø x 5/8" Lg. (251-5008-00)			
5	Compression (Return) Spring	1	266-5020-00
(ASM. REF. 500-6091-00, Items 1-5)			

Nr.	AUTOPLNGR. COIL PARTS	QTY.	SPI PART Nr.
6	Autoplunger Coil Bracket Assembly	1	515-6527-00
Items 1 & 6 are secured below the P/F by: #8 X 1/2" SHWH AB (Zc.) (Qty. 9) (234-5101-00)			
7	Coil Retainer Bracket	1	535-5203-03
Item 7 is secured to Item 6 by: #8-32 X 1/4" PPH MS (Sems) Zinc (Qty. 2) (232-5300-00)			
8	Coil, 24-940 [NO DIODE]	1	090-5036-ND
COIL DOES NOT REQUIRE A DIODE. SEE ☺ COIL NOTE BELOW FOR DETAILS.			
9	Coil Sleeve	1	545-5031-00
(ASM. REF. 500-6092-02-ND, Items 6-9)			

Nr.	SWITCH PARTS	QTY.	SPI PART Nr.
10	Switch (for Shooter Lane)	1	180-5157-00
Switch has a Diode (1N4004) (112-5003-00). Can be replaced with (1N4001) (112-5001-00).			
11	Switch Mounting Bracket	1	535-6173-00
Item 11 is secured to Playfield by: #6 X 1/2" SLT HWH AB (Zinc) (Qty. 2) (234-5001-02)			
12	Switch Body Protect Plate	14	535-6539-00
Item 12 is secured to Items 10-11 by: #2-56 X 1/2" Unslotted Ser. HWH #4 Head TR3 Black (Qty. 2) (237-5937-02) and #2-56 Hex Nut (Qty. 2) (240-5301-0)			
(ASM. REF. 500-6096-00, Items 10-12)			

Assemblies & Ramps



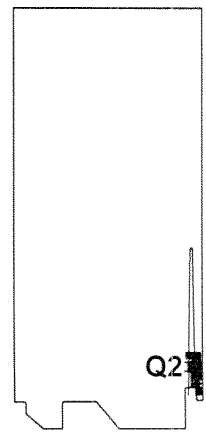
Item 3 is also shown separated from the Autoplunger Fulcrum for clarity.

For Securing Hardware, see the Parts Table above, under the item desired.

For Securing Hardware, see the Parts Table above, under the item desired.

Coil Assembly shown turned 90° for clarity.

Take Note:
Coil Note: ☺ NO DIODE ON LUGS. If replacing with a coil of the same gauge and turn & it has a diode on it, remove it before using.

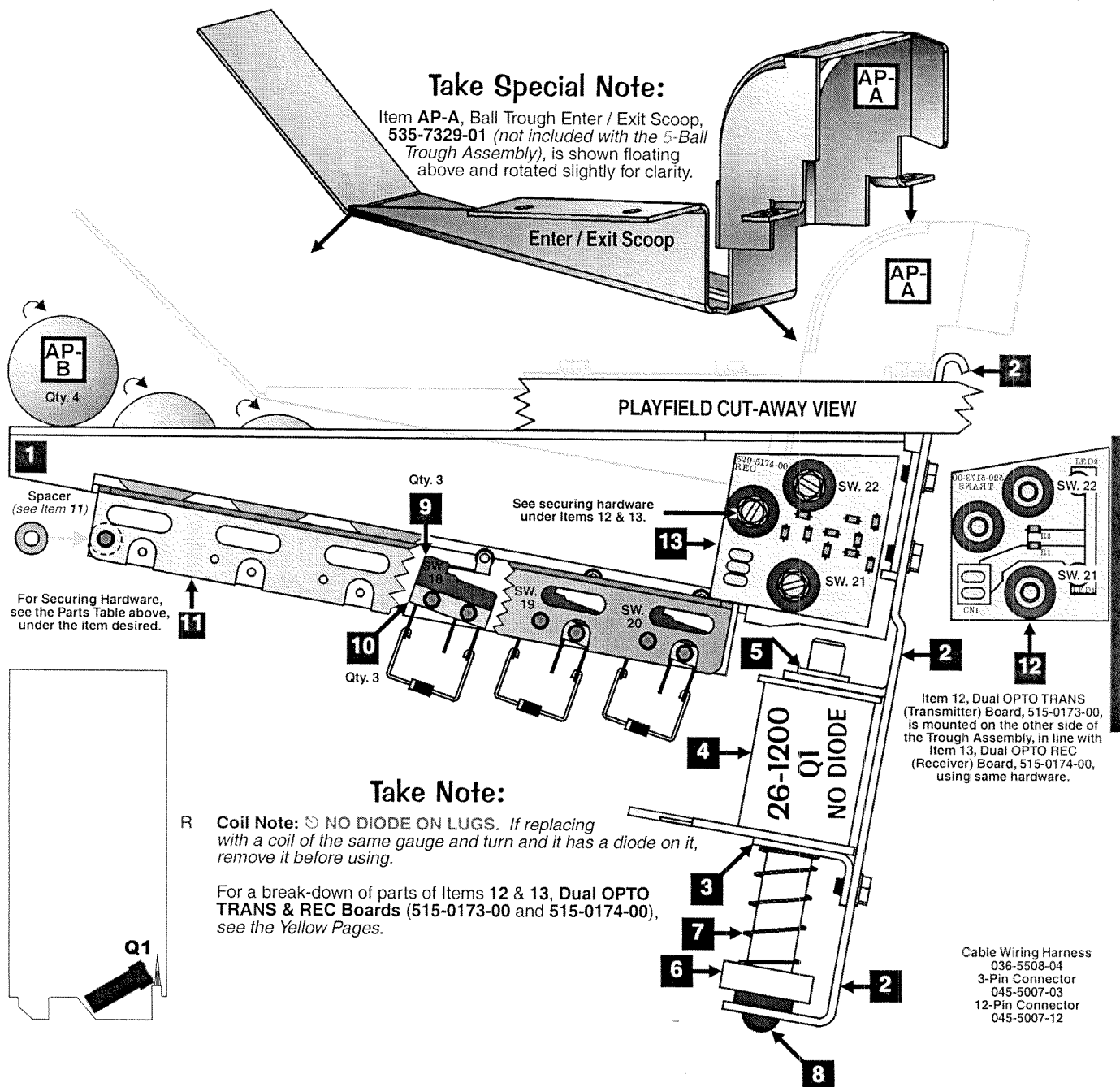


4-Ball Trough Assembly, 500-6318-24-ND (Items 1-13)

and Associated Parts: See Parts Table Below.

Ordering Note: Identical to 500-6318-14 with exceptions, see note below Item 13 (Parts Table).

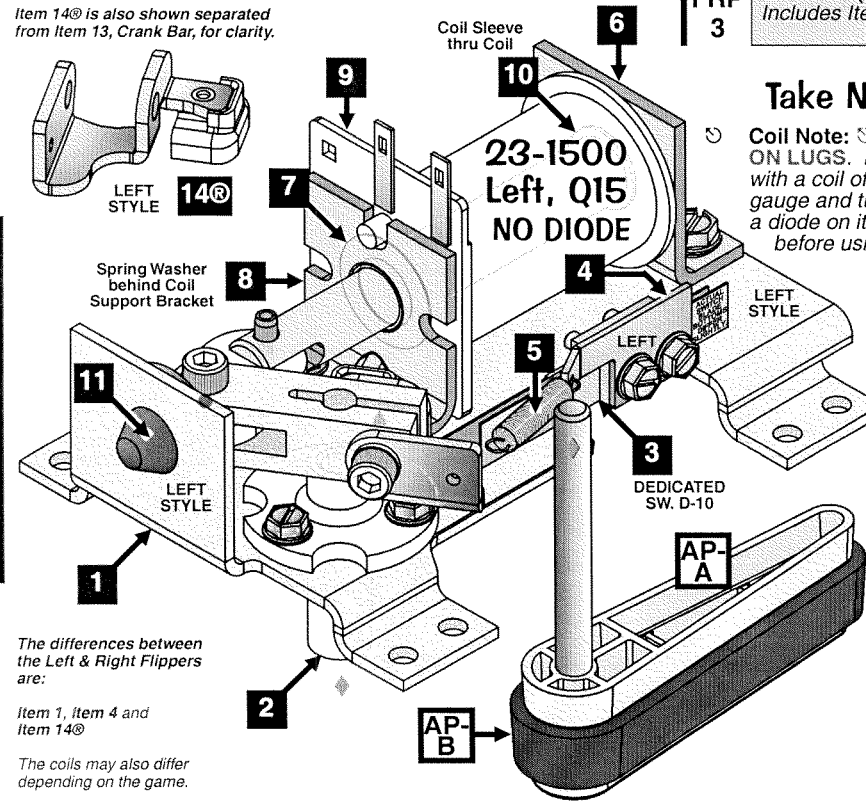
Nr.	4-BALL TROUGH PARTS	QTY.	SPI PART Nr.	Nr.	4-BALL TROUGH PARTS	QTY.	SPI PART Nr.
1	Ball Trough Outhole Mounting Bracket	1	515-6580-01	11	Trough Ball Guide Plate	1	535-7801-00
Item 1 is secured below the playfield by: #8 X 1/2" SHWH AB (Zc.) (Qty. 4) (234-5101-00)				Item 11 is secured to Item 1 by: 1/4" X 5/16" X .144" I.D. Spacer Tap. (Qty. 1) (254-5014-03) and #2-56 X 1/2" HWH (Ser) UNS #4HD TR3 BO (Qty. 4) (237-5937-02)			
2	Coil Mounting Bracket	1	535-7330-01	12	Dual OPTO TRANS Board Assembly	1	515-0173-00
Item 2 is secured to Item 1 by: #8-32 X 3/8" HWH Swage (Sr.) Zinc (Qty. 4) (237-5975-00)				Items 12 & 13 are secured by: #6-32 X 5/8" HWH Swg (Ser) Zc (Qty. 3/per) (237-5976-04)			
3	Coil Retaining Bracket	1	535-5203-03	13	Dual OPTO REC Board Assembly	1	515-0174-00
Item 3 is secured to Item 2 by: #8-32 X 1/4" SHWH (Serr) Zinc (Qty. 2) (237-5975-04)				For Individual Items use: Dual OPTO Transmitter Board (Qty. 1) (520-5173-00), Dual OPTO Receiver Board (Qty. 1) (520-5174-00), OPTO PCB Tube Spacer (Brass) (Qty. 3/per) (530-5308-02) and OPTO PCB Rubber Grommet (Qty. 3/per) (545-5518-00)			
4	Coil, 26-1200 [NO DIODE]	1	090-5044-ND	Ordering Note: If 500-6318-24-ND is unavailable, order the individual part(s) actually required. This assembly is identical to 500-6318-14-ND, -15 or -25 except for the quantity of Items 9 & 10 (Qty. 4/per on 5-Ball Trough) and Item 11, required when a Magnet Mech. is used in the game. -ND means no diode on Item 4, Coil, 26-1200.			
COIL DOES NOT REQUIRE A DIODE. SEE COIL NOTE BELOW FOR DETAILS.							
5	Coil Sleeve (Short) (Formost #10-7077)	1	545-5076-01	ASSOCIATED PARTS ARE NOT INCLUDED WITH THE ABOVE ASSEMBLY.			
6	Steel & Nylon Plunger Asm. (3.57")	1	515-7309-01	Nr.	ASSOCIATED PART(S)	QTY.	SPI PART Nr.
7	Compression (Return) Spring	1	266-5020-00	AP-A	Ball Trough Enter / Exit Scoop	1	535-7329-01
8	Rubber Bumper (Grommet)	1	545-5105-00	Item AP-A secured to the playfield by: #8 X 1/2" SHWH AB (Zinc) (Qty. 4) (234-5101-00).			
9	Micro Switch (Roller Actuator, Lite-Force)	3	180-5119-02				
Item 9 requires: Heat Shrink Tubing 1/8" o PUI-24 (Qty. 1*/per) (605-5006-00)							
Switch has a Diode (1N4004) (112-5003-00). Can be replaced with (1N4001) (112-5001-00).							
10	Switch Body Protect Plate	3	535-6539-00				



Flipper (Left) Assembly, 500-6543-15-ND (Items 1-15) and Associated Parts: Yellow Flipper Bat & Shaft Asm., 515-5133-06-06 (Items AP-A / AP-B)

Nr.	FLIPPER (LEFT) PARTS	QTY.	SPI PART Nr.
1	Flipper Base Plate (LEFT)	1	See FRP1
Item 1 is secured below by: #8 X 1/2" SHWH AB (Zinc) (Qty. 8) (234-5101-00) Ordering Note : Individual Part (535-7275-01) is not prethreaded, see Item FRP1.			
2	Flipper Bat Bushing (White Plastic) .25" ϕ I.D.	1	545-5070-00
Item 2 is secured to Item 1 by: #6-32 X 3/8" HWH Swage (Ser.) Zc. (Qty. 3) (237-5976-02)			
3	Power (EOS / End-of-Stroke) Switch	1	180-5149-00
Item 3 is secured to Item 1 by: #6-32 X 5/8" HWH Swage (Ser.) Zc. (Qty. 2) (237-5976-04)			
4	Sw. Plate/Spring Return Brkt. (LEFT)	1	535-7354-01
5	Flipper Return Spring	1	265-5035-00
6	Coil Stop Bracket Sub-Assembly	1	515-6308-01
Item 6 is secured to Item 1 by: #10-32 X 3/8" SHWH Swage (Serr) Zinc (Qty. 2) (237-5985-00) and #10 Split Lock Washer (Qty. 2) (244-5003-00)			
7	Spring Washer (17/32" ID X 3/4" X 1")	1	269-5002-00
8	Coil Support Bracket	1	535-7356-00
Item 8 is secured to Item 1 by: #8-32 X 3/8" HWH Swage (Ser.) Zc. (Qty. 2) (237-5975-00)			
9	Coil, 23-1500 [NO DIODE] BLUE	1	090-5062-ND
COIL DOES NOT REQUIRE A DIODE. SEE \odot COIL NOTE BELOW FOR DETAILS.			
10	Coil Sleeve	1	545-5388-00
11	Deflector Pad (Bumper)	1	545-5428-00
12	Flipper Plunger & Link Sub-Assy.	1	515-6304-03
For Individual Items use : Flipper Plunger (530-5349-01) and Plunger "Flipper" Link (545-5611-01) and is secured to the Plunger by: Bushing, .16" ϕ ID X .281" ϕ OD X .187" (Qty. 1) (530-5532-00) and Spiral Pin ϕ 5/32" X 3/4" Lg. (Qty. 1) (251-5015-02)			
13	Crank Bar (Pawl)	1	530-5070-02
Item 13 requires: Bushing, .192" ϕ ID X .312" ϕ OD X .195" (Qty. 1) (530-5139-00)			
14 \odot	Switch Actuator (LEFT) Sub-Assy.	1	515-7257-01
For Individual Items use : Actuator & Spring Bracket (LEFT) (535-9038-01) and \odot Switch Actuator (White Plastic) (545-5612-00) and is secured to the Bracket by: Rivet, 1/8" ϕ X 1/4" Lg. (Qty. 1) (249-5003-00)			
15	Set Screw: #10-32 X 3/4" Socket Hd.	2	237-6144-00
Item 15 requires: #10-32 Nylon Stop Nut (Qty. 1) Flipper Link Side Only (240-5203-00) and #10 Split Lock Washer (Qty. 1) Switch Actuator Side Only (244-5003-00) Tool required for Item 15: 5/32" or 4mm Allen Wrench			

Item 14 \odot is also shown separated from Item 13, Crank Bar, for clarity.



ASSOCIATED PARTS ARE NOT INCLUDED WITH THE ABOVE ASSEMBLY.

Nr.	ASSOCIATED PART(S)	QTY.	SPI PART Nr.
AP-A	YELLOW Flipper Bat & Shaft Asm. (Non-Knurled End) without Rubber Ring	1	515-5133-06-06
AP-B	Large Flipper BLACK Rubber Ring	1	545-5277-00

Flipper Rebuild Parts for Easier Installation, Save \$:

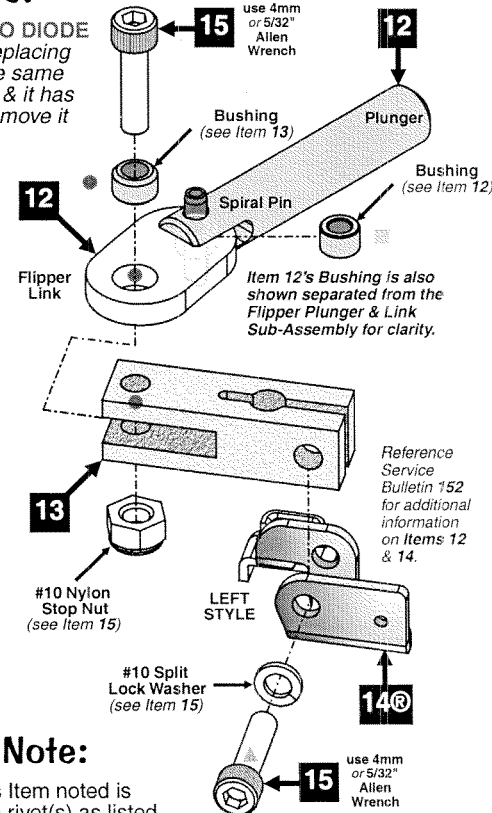
FRP 1 FLIPPER BASE PLATE KIT (LEFT) :
Includes Item 1 pre-threaded >+< Securing Hardware for Items 2, 3, 6 & 8. 515-6617-01

FRP 2 PLUNGER, LINK & CRANK (LEFT STYLE) ASSEMBLY : Includes Items 12, 13, 14 & 15 (comes assembled). 515-7203-01

FRP 3 FLIPPER (LEFT) REBUILD KIT : Includes Items 6, 10 AND above FRP2 500-6307-10

Take Note:

\odot **Coil Note:** \odot NO DIODE ON LUGS. If replacing with a coil of the same gauge and turn & it has a diode on it, remove it before using.



Take Note:

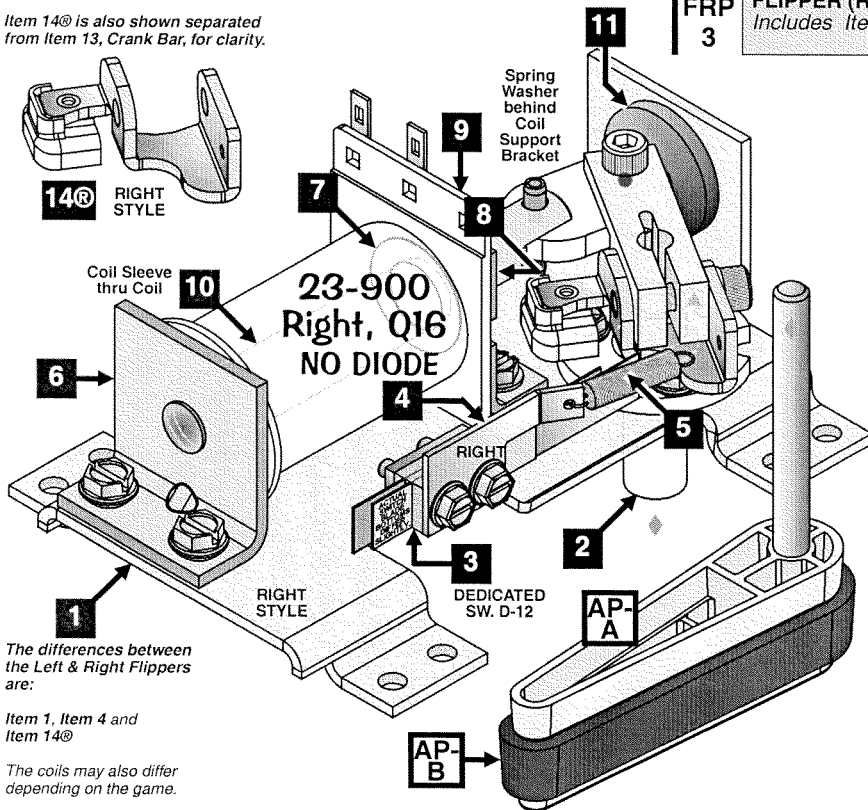
\odot "R" indicates Item noted is secured with rivet(s) as listed.

Assemblies & Ramps

Flipper (Right) Assembly, 500-6543-05-ND (Items 1-15) and Associated Parts: Yellow Flipper Bat & Shaft Asm., 515-5133-06-06 (Items AP-A / AP-B)

Nr.	FLIPPER (RIGHT) PARTS	QTY.	SPI PART Nr.
1	Flipper Base Plate (RIGHT)	1	See FRP1
Item 1 is secured below by: #8 X 1/2" SHWH AB (Zinc) (Qty. 8) (234-5101-00)			
Ordering Note : Individual Part (535-7275-00) is not prethreaded, see Item FRP1.			
2	Flipper Bat Bushing (White Plastic) .25" ϕ I.D.	1	545-5070-00
Item 2 is secured to Item 1 by: #6-32 X 3/8" HWH Swage (Ser.) Zc. (Qty. 3) (237-5976-02)			
3	Power (EOS / End-of-Stroke) Switch	1	180-5149-00
Item 3 is secured to Item 1 by: #6-32 X 5/8" HWH Swage (Ser.) Zc. (Qty. 2) (237-5976-04)			
4	Sw. Plate/Spring Return Brkt. (RIGHT)	1	535-7354-00
5	Flipper Return Spring	1	265-5035-00
6	Coil Stop Bracket Sub-Assembly	1	515-6308-01
Item 6 is secured to Item 1 by: #10-32 X 3/8" SHWH Swage (Serr) Zinc (Qty. 2) (237-5985-00) and #10 Split Lock Washer (Qty. 2) (244-5003-00)			
7	Spring Washer (17/32" ID X 3/4" X 1")	1	269-5002-00
8	Coil Support Bracket	1	535-7356-00
Item 8 is secured to Item 1 by: #8-32 X 3/8" HWH Swage (Ser.) Zc. (Qty. 2) (237-5975-00)			
9	Coil, 23-900 [NO DIODE] BLUE	1	090-5020-30
COIL DOES NOT REQUIRE A DIODE. SEE \odot COIL NOTE PREV. PAGE FOR DETAILS.			
10	Coil Sleeve	1	545-5388-00
11	Deflector Pad (Bumper)	1	545-5428-00
12	Flipper Plunger & Link Sub-Assy.	1	515-6304-03
For Individual Items use : Flipper Plunger (530-5349-01) and Plunger "Flipper" Link (545-5611-01) and is secured to the Plunger by: Bushing, .16" ϕ ID X .281" ϕ OD X .187" (Qty. 1) (530-5532-00) and Spiral Pin ϕ 5/32" X 3/4" Lg. (Qty. 1) (251-5015-02)			
13	Crank Bar (Pawl)	1	530-5070-02
Item 13 requires: Bushing, .192" ϕ ID X .312" ϕ OD X .195" (Qty. 1) (530-5139-00)			
14 \odot	Switch Actuator (RIGHT) Sub-Assy.	1	515-7257-00
For Individual Items use : Actuator & Spring Bracket (LEFT) (535-9038-01) and \odot Switch Actuator (White Plastic) (545-5612-00) and is secured to the Bracket by: Rivet, 1/8" ϕ X 1/4" Lg. (Qty. 1) (249-5003-00)			
15	Set Screw: #10-32 X 3/4" Socket Hd.	2	237-6144-00
Item 15 requires: #10-32 Nylon Stop Nut (Qty. 1) Flipper Link Side Only (240-5203-00) and #10 Split Lock Washer (Qty. 1) Switch Actuator Side Only (244-5003-00)			
Tool required for Item 15: 5/32" or 4mm Allen Wrench			

Item 14 \odot is also shown separated from Item 13, Crank Bar, for clarity.

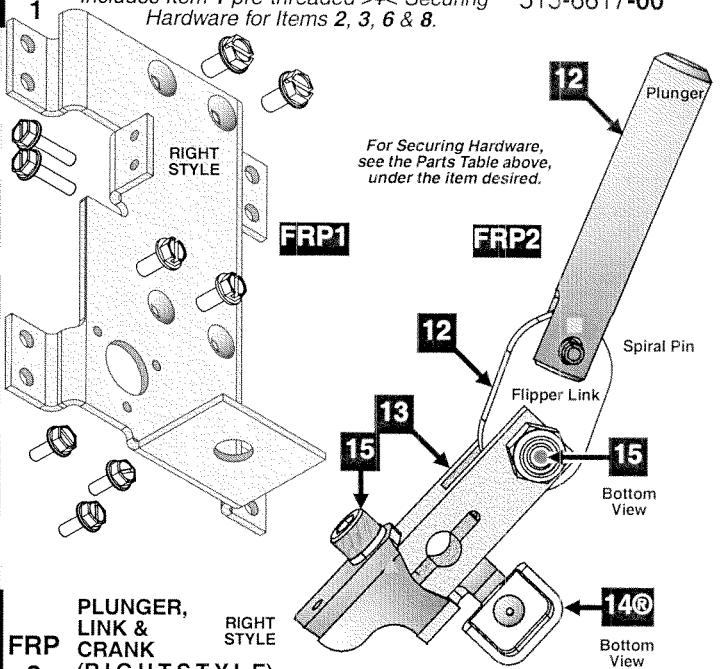


ASSOCIATED PARTS ARE NOT INCLUDED WITH THE ABOVE ASSEMBLY.

Nr.	ASSOCIATED PART(S)	QTY.	SPI PART Nr.
AP-A	YELLOW Flipper Bat & Shaft Asm. (Non-Knurled End) without Rubber Ring	1	515-5133-06-06
AP-B	Large Flipper BLACK Rubber Ring	1	545-5277-00

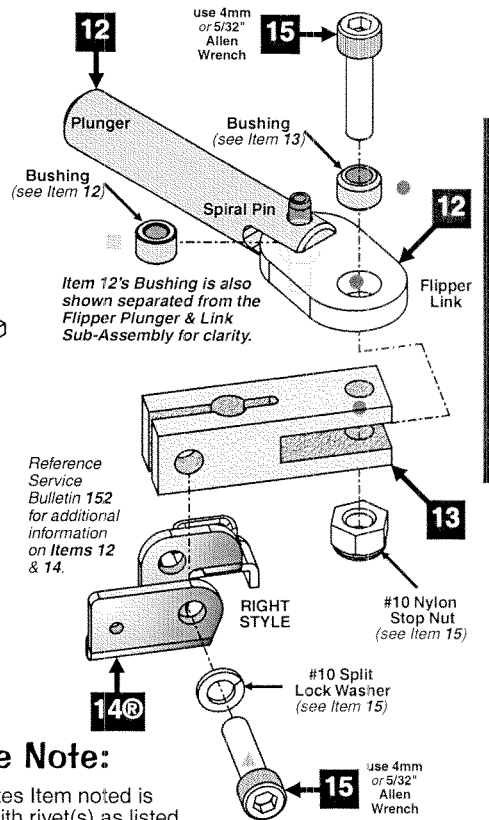
Flipper Rebuild Parts for Easier Installation, Save \$:

FRP 1 FLIPPER BASE PLATE KIT (RIGHT):
Includes Item 1 pre-threaded >+< Securing Hardware for Items 2, 3, 6 & 8. 515-6617-00



FRP 2 PLUNGER, LINK & CRANK (RIGHT STYLE) ASSEMBLY: Includes Items 12, 13, 14 & 15 (comes assembled). 515-7203-00

FRP 3 FLIPPER (RIGHT) REBUILD KIT: Includes Items 6, 10 AND above FRP2 500-6307-00



Assemblies & Ramps

Take Note:

\odot "R" indicates Item noted is secured with rivet(s) as listed.

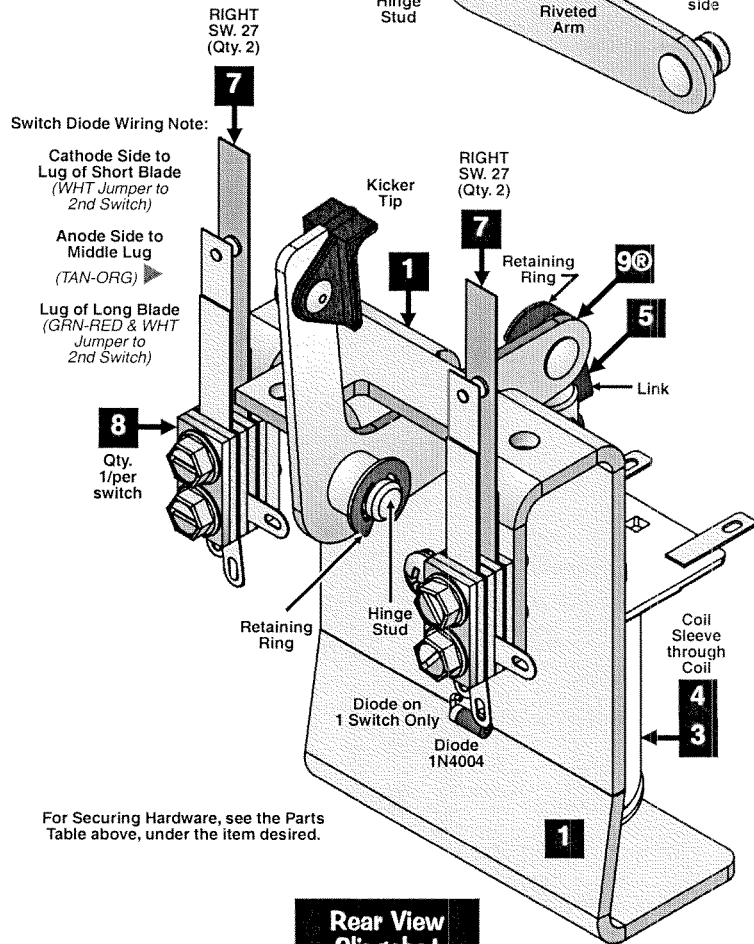
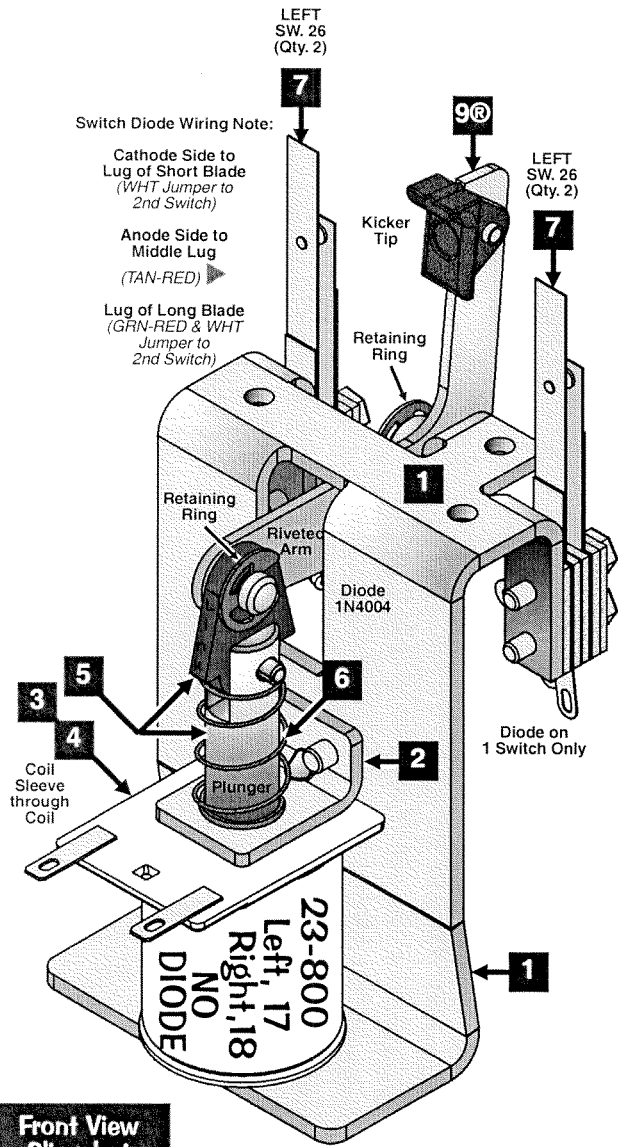
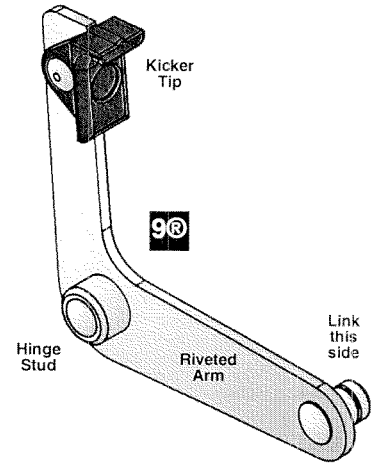
Slingshot (Left & Right) Assemblies, 500-5849-00-ND (Qty. 2) (Items 1-9)

Nr.	SLINGSHOT PARTS	QTY.	SPI PART Nr.	Nr.	SLINGSHOT PARTS	QTY.	SPI PART Nr.
1	Slingshot Bracket Assembly	1/per	515-5339-01	6	Compression (Return) Spring	1/per	266-5020-00
Item 1 is secured below the playfield by: #8 X 1/2" SHWH AB (Zc.) (Qty. 3) (234-5101-00)				7	Slingshot Stack (Blade) Switch	2/per	180-5054-00
2	Coil Retaining Bracket	1/per	535-5203-03	Only 1 of the 2 Switches has a Diode (1N4004) (112-5003-00). See Note Below on Drawing. Can be replaced with (1N4001) (112-5001-00).			
Item 2 is secured to Item 1 by: #8-32 X 3/8" PPH MS (Sems) (Qty. 2) (232-5301-00)				8	Switch Body Protect Plate	2/per	535-5045-00
3	Coil, 23-800 [NO DIODE]	1/per	090-5001-ND	Items 7 & 8 are secured to Item 1 by: #6-32 X 5/8" HWH Swage (Qty. 4) (237-5976-04)			
COIL DOES NOT REQUIRE A DIODE. SEE COIL NOTE BELOW FOR DETAILS.							
4	Coil Sleeve	1/per	545-5031-00	9®	Riveted Arm & Tip Assembly	1/per	515-5340-01
5	Plunger & Link Assembly	1/per	515-5338-00	For Individual Parts use (requires drilling out rivet & rereviting): Arm (515-5341-01), Kicker Tip (545-5216-01) and Rivet, 1/8" ø x 1/4" Lg. (249-5003-00) The Riv. Arm is secured to Item 1 by: Retaining Ring, 1/4" ø Shaft (Qty. 1) (270-5002-00)			
For Individual Items use: Plunger 2" Lg. (530-5025-01), Plunger Link (545-5293-00) and Roll Pin 1/8" ø x 5/8" Lg. (251-5008-00) The Plunger Link is secured to the Riveted Arm by: Retaining Ring, 1/4" ø Shaft (Qty. 1) (270-5002-00)							
Ordering Note: If 515-5338-00 is unavailable, order the individual part(s) actually required.							
Ordering Note: If 515-5340-01 is unavailable, order the individual part(s) actually required.							
Ordering Note: If 500-5849-00-ND is unavailable, order the individual part(s) actually required. This assembly is identical to 500-5849-02-ND with the exception of Item 3, which uses a Coil, 27-1500 [NO DIODE] (090-5004-ND) instead.							

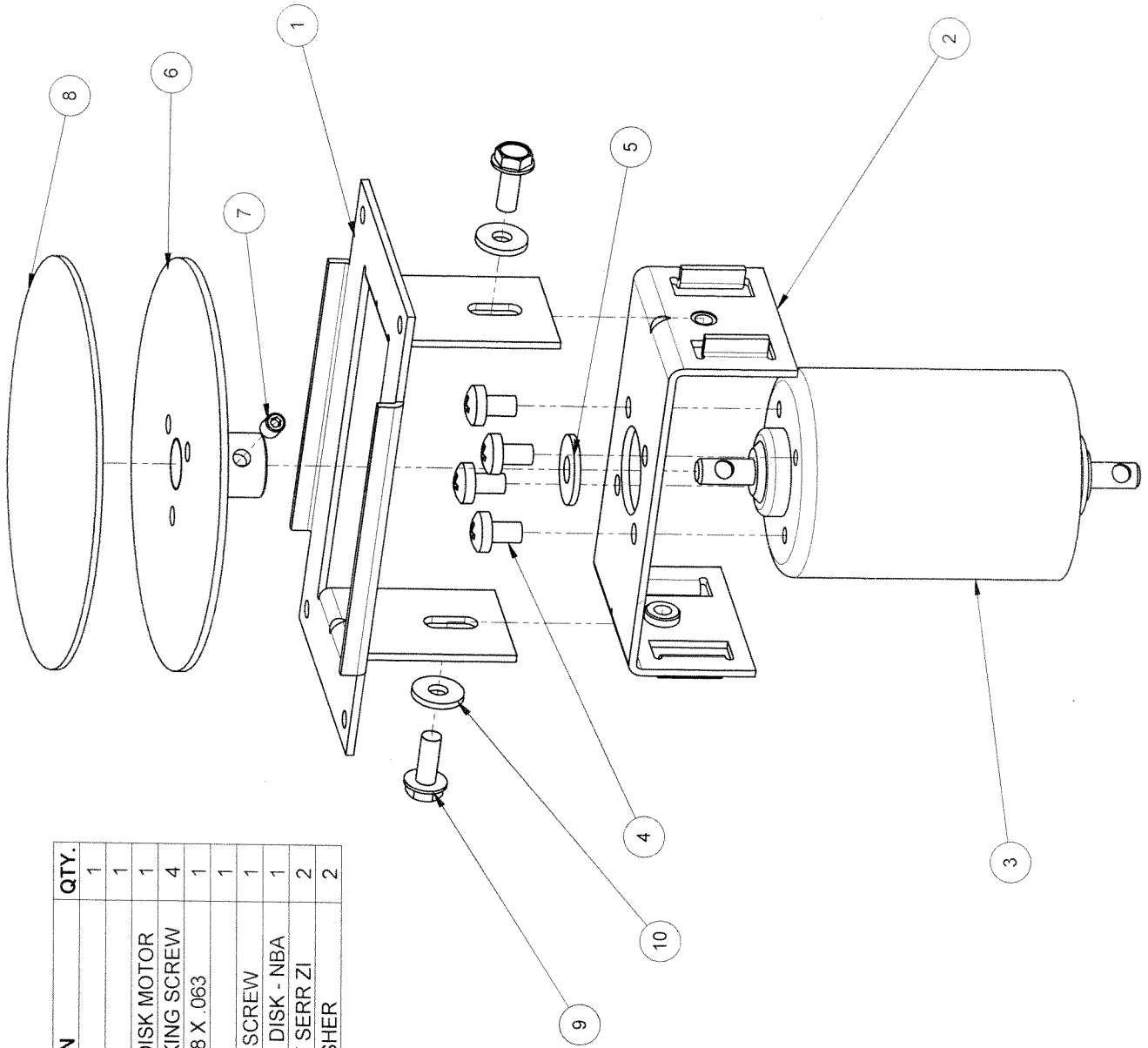
Take Note:

R **Coil Note:** NO DIODE ON LUGS. If replacing with a coil of the same gauge and turn and it has a diode on it, remove it before using.

® "R" indicates Item noted is secured with rivet(s) as listed.

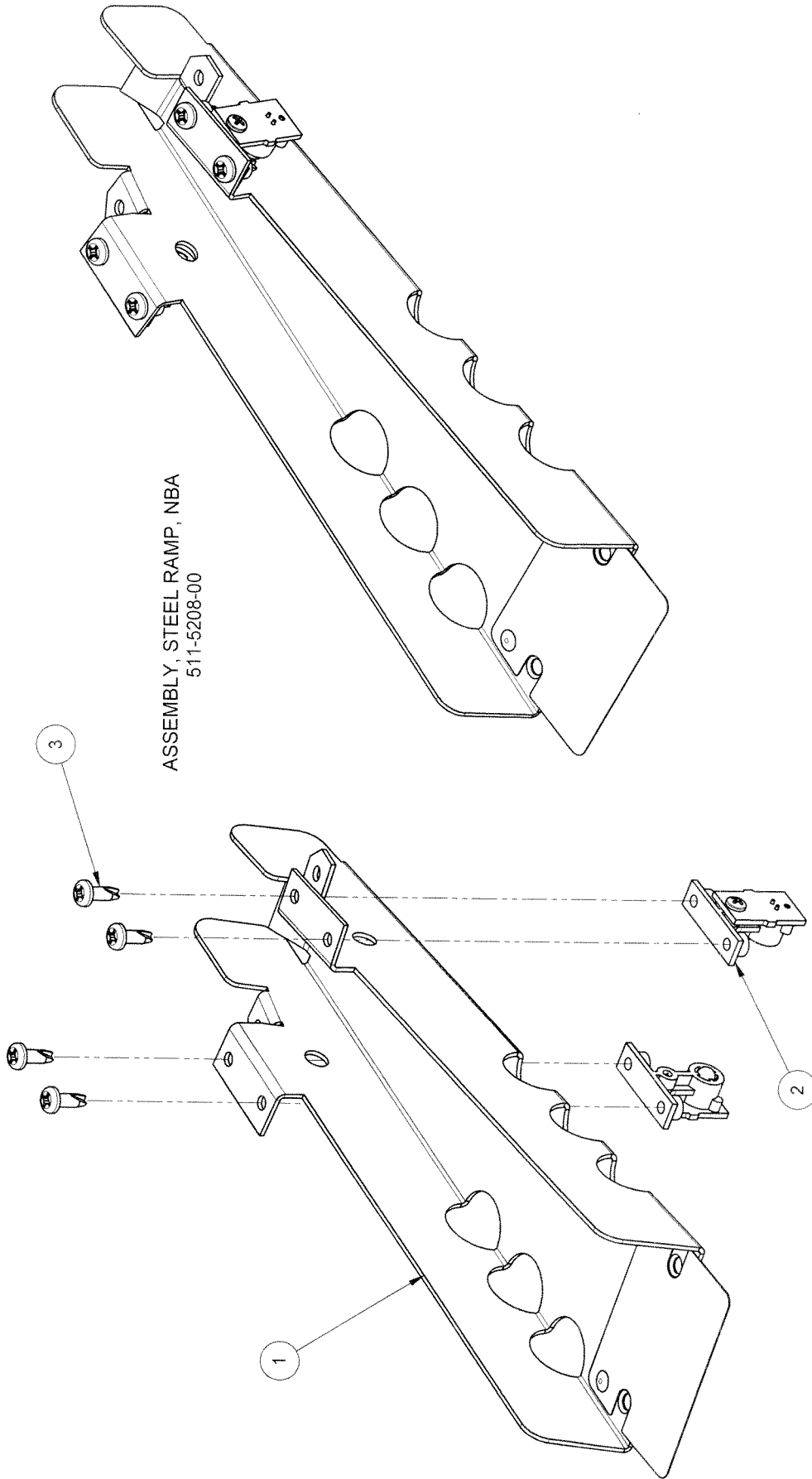


ITEM #	PART NUMBER	DESCRIPTION	QTY.
1	535-0278-00	MOUNTING BRACKET	1
2	515-7715-00	MOTOR BRACKET	1
3	511-5190-00	SOLDER ASSY SPINNING DISK MOTOR	1
4	237-6014-00	M5 X 0.8 X 8 PH SELF LOCKING SCREW	4
5	242-5028-00	WASHER NYLON .265 X .688 X .063	1
6	515-7714-00	DISK/HUB WELDMENT	1
7	237-6092-00	#10-32 X 5/16 SOCKET SET SCREW	1
8	545-6373-07-A9	ADHESIVE PAD - SPINNING DISK - NBA	1
9	237-5995-00	#10-32 x 1/2 HWH NO SLOT SERR ZI	2
10	242-5003-00	7/32 ID X .50 OD X .062 WASHER	2



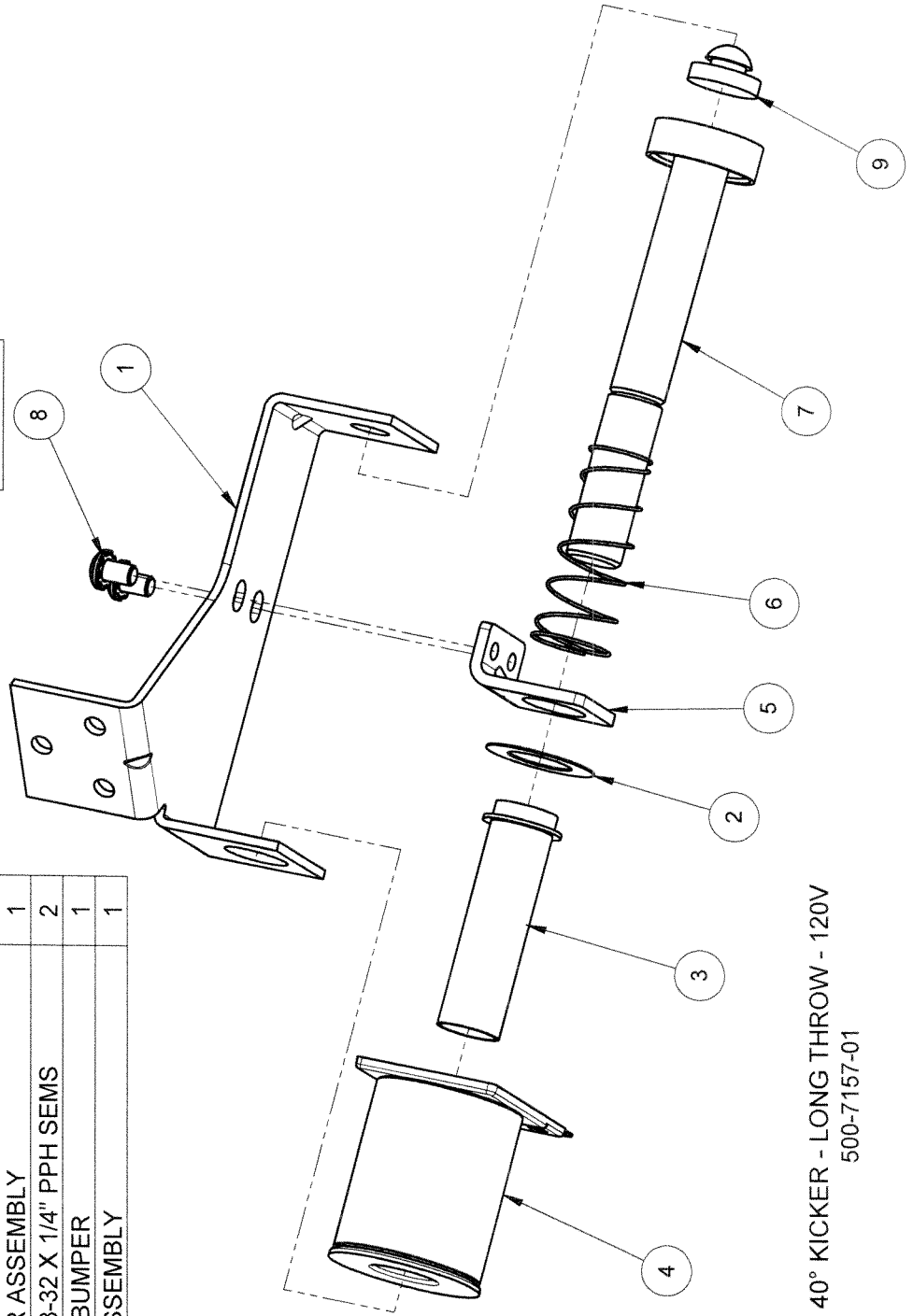
SPINNING DISK ASSEMBLY - NBA
500-7144-01

ITEM NO.	PART NUMBER	DESCRIPTION	QTY.
1	510-5095-00	RIVETED ASSY, STEEL RAMP, NBA	1
2	500-6775-01	OPTO TRANSCIVER ASSY, 15" LEADS	2
3	237-5880-00	SCREW #6 X 3/8 PPH T-25	4

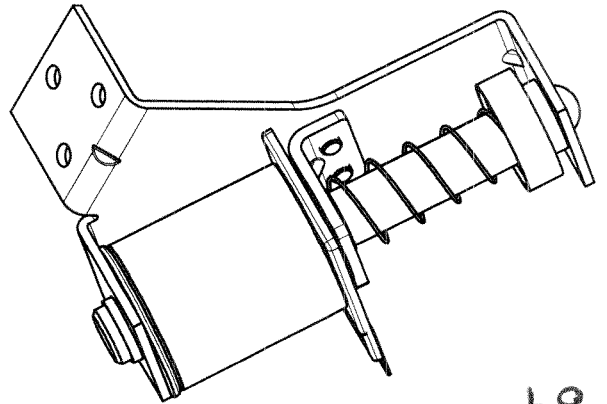


ITEM NO.	PART NUMBER	DESCRIPTION	QTY.
1	535-0300-00	BRACKET - 40° EJECT - LONG THROW	1
2	269-5002-00	SPRING WASHER	1
3	545-5076-01	COIL SLEEVE	1
4	090-5015-ND	COIL 27-1400 - NO DIODE	1
5	535-5203-03	COIL RETAINING BRACKET	1
6	266-5020-00	COMPRESSION SPRING-CONICAL	1
7	515-7309-01	PLUNGER ASSEMBLY	1
8	232-5300-00	SCREW, 8-32 X 1/4" PPH SEMS	2
9	545-5105-00	RUBBER BUMPER	1
NOT SHN.	036-5538-17-A9	CABLE ASSEMBLY	1

LOCTITE 243



40° KICKER - LONG THROW - 120V
500-7157-01



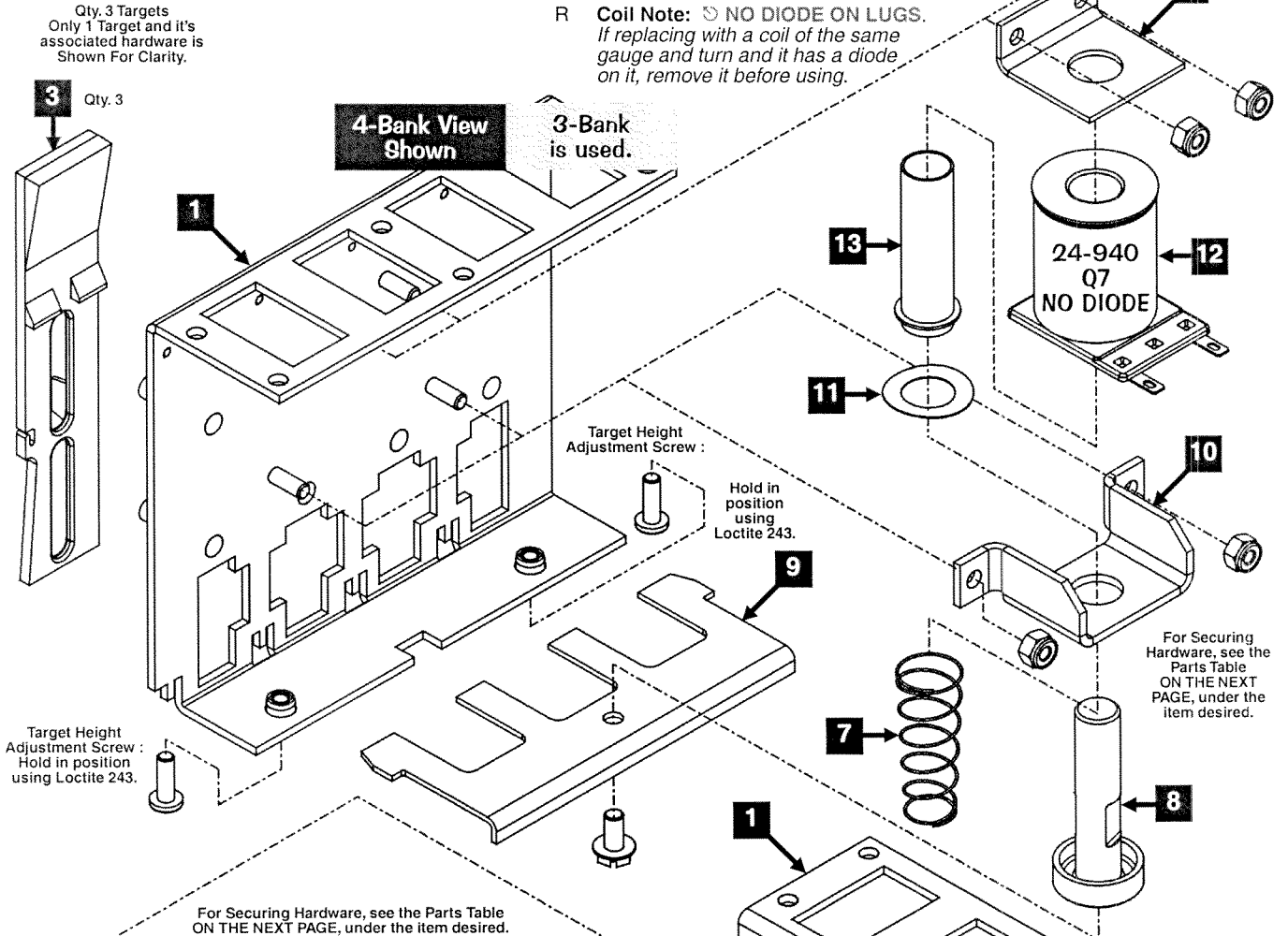
3-Bank Drop Target Assembly, 500-7029-03-00 (Items 1-14)

[Different Views & Parts Table on the next page.]

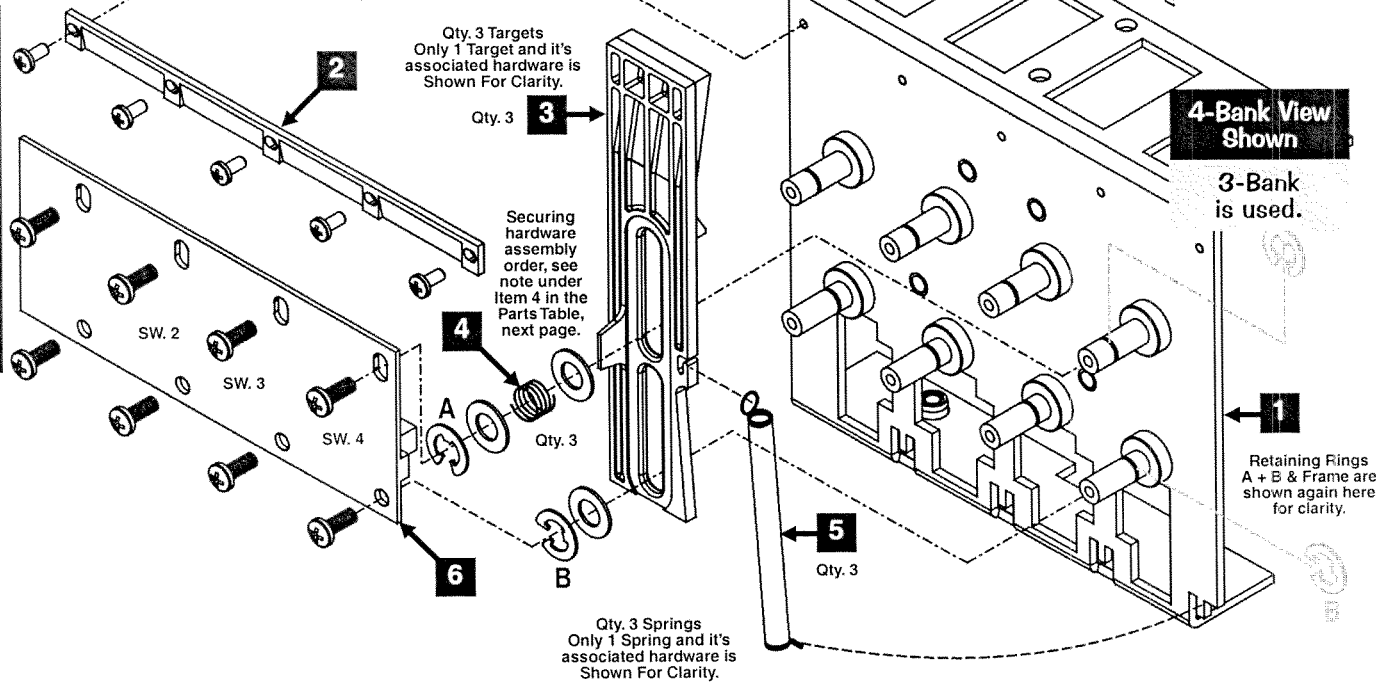
Coil Side Exploded View

Take Note:

R **Coil Note:** NO DIODE ON LUGS.
If replacing with a coil of the same gauge and turn and it has a diode on it, remove it before using.



Assemblies & Ramps



TARGET/PCB Side Exploded View

3-Bank Drop Target Assembly, 500-7029-03-00 (Items 1-14) Continued

[Different Views on the previous page.]

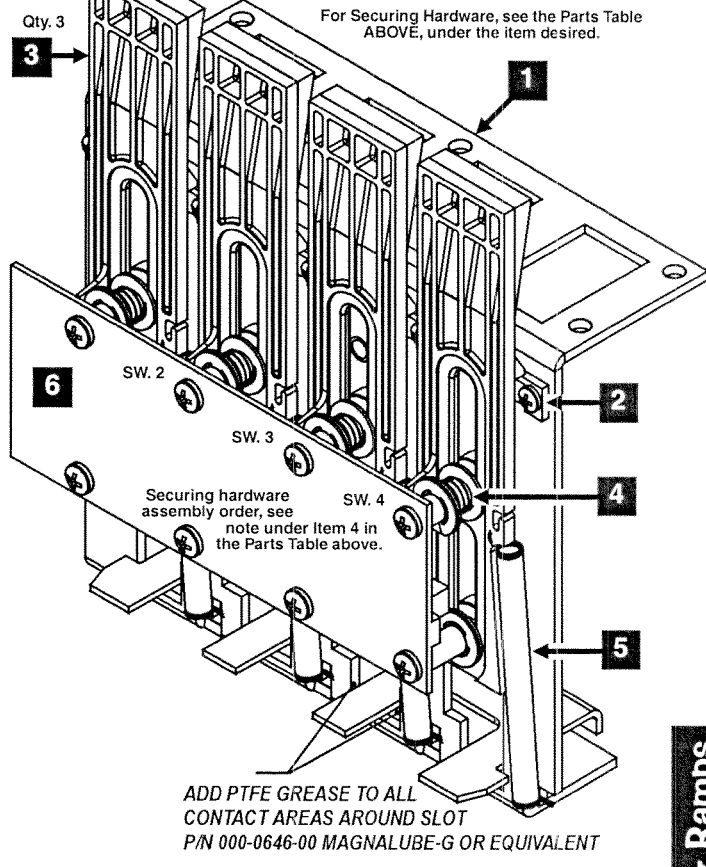
Nr.	4-BANK DROP TRGT. PARTS	QTY.	SPI PART Nr.
1	Frame & Pem Weldment, 4-Bank D/T	1	515-7604-03
Item 1 is secured under the playfield by: #8 X 1/2" SHWH AB (Zc.) (Qty. 5) (234-5101-00)			
2	Target Rest Ledge (Blk.), 4-Bank D/T	1	545-6163-03
Item 2 is secured to Item 1 by: #4-40 X 1/4" PPH MS (Zinc) (Qty. 6) (237-6169-00)			
3	Drop Target (Black Plastic) Rollover	3	545-6305-00
4	Compression (Short) Spring	3	266-5089-00
Items 3 & 4 are secured to Item 1 @ top by: Washer, 1/2" X 17/64" X .03" (Qty. 2/per) (242-5091-00) and Retaining Ring, 1/4" ø (Qty. 3) (270-5002-00)			
FRAME PEM → WASHER → SPRING → WASHER → RETAINING RING → OPTO PCB → SCREW			
Item 3 is secured to Item 1 @ bottom by: Washer, 1/2" X 17/64" X .03" (Qty. 3) (242-5091-00) and Retaining Ring, 1/4" ø (Qty. 3) (270-5002-00)			
5	Reset (Long) Spring (Red Dipped)	3	265-5003-02
6	PCB, Slotted OPTO X3	1	520-5252-03
Item 6 is secured to Item 1 by: #6-32 X 3/8" PPH MS (Zinc) (Qty. 6) (237-5501-00)			
7	Compression (Return) Spring	1	266-5020-00
8	Steel Plunger with End Cap	1	530-5757-00
9	Bracket, Target Lift (4-Bank)	1	535-9996-03
Item 9 is secured to Item 8 Plunger by: #10-32 X 3/8" SHWH Swage (Zinc) Wax (Qty. 1) (237-5985-00) TARGET HEIGHT ADJUSTMENT: //			
Item 9 is adjusted through Item 1 by: #8-32 X 1/2" PPH MS (Zinc) (Qty. 2) (237-5602-00)			
10	Coil Mounting Bracket [2+ Bank Style]	1	535-9995-01
Item 10 is secured to Item 1 by: #8-32 Nylon Stop Nut (Qty. 2) (240-5102-00)			
11	Spring Washer (17/32" ID X 3/4" X 1")	1	269-5002-00
12	Coil, 24-940 [NO DIODE]	1	090-5036-ND
COIL DOES NOT REQUIRE A DIODE. SEE COIL NOTE ABOVE FOR DETAILS.			
13	Coil Sleeve (Formost #10-7077)	1	545-5076-01
14	Bracket, Plunger Stop	1	535-9959-00
Item 14 is secured to Item 1 by: #8-32 Nylon Stop Nut (Qty. 2) (240-5102-00)			
Ordering Note: If 500-7029-03-00 is unavailable, order the individual part(s) actually required (for cable wiring, use Part Number 036-5536-09-A2).			

4-Bank View Shown **3-Bank is used.**

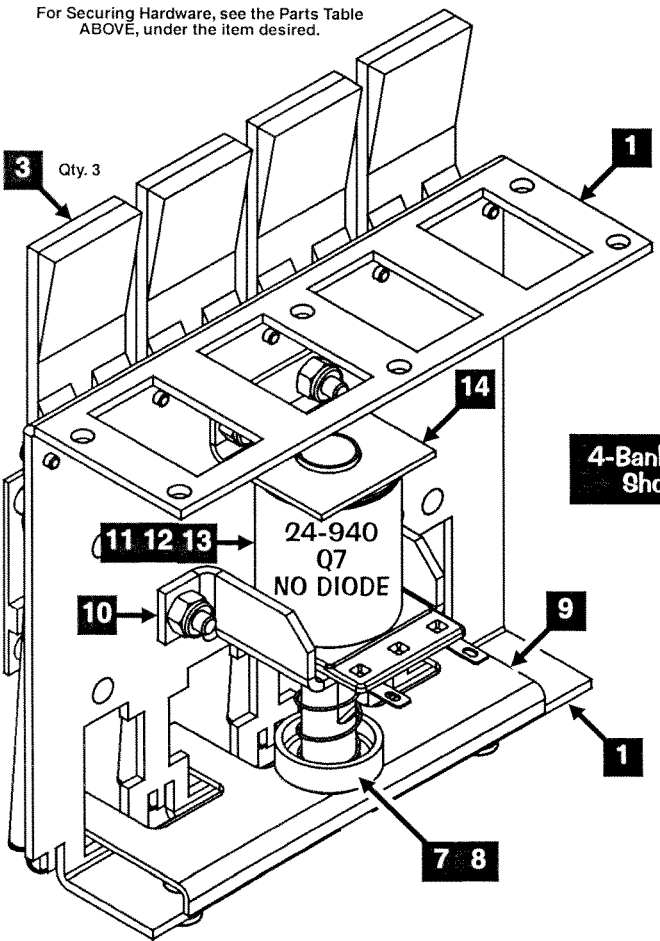
Take Note:

R Coil Note: NO DIODE ON LUGS. If replacing with a coil of the same gauge and turn and it has a diode on it, remove it before using.

TARGET/PCB Side Asm'd View



Coil Side Assembled View

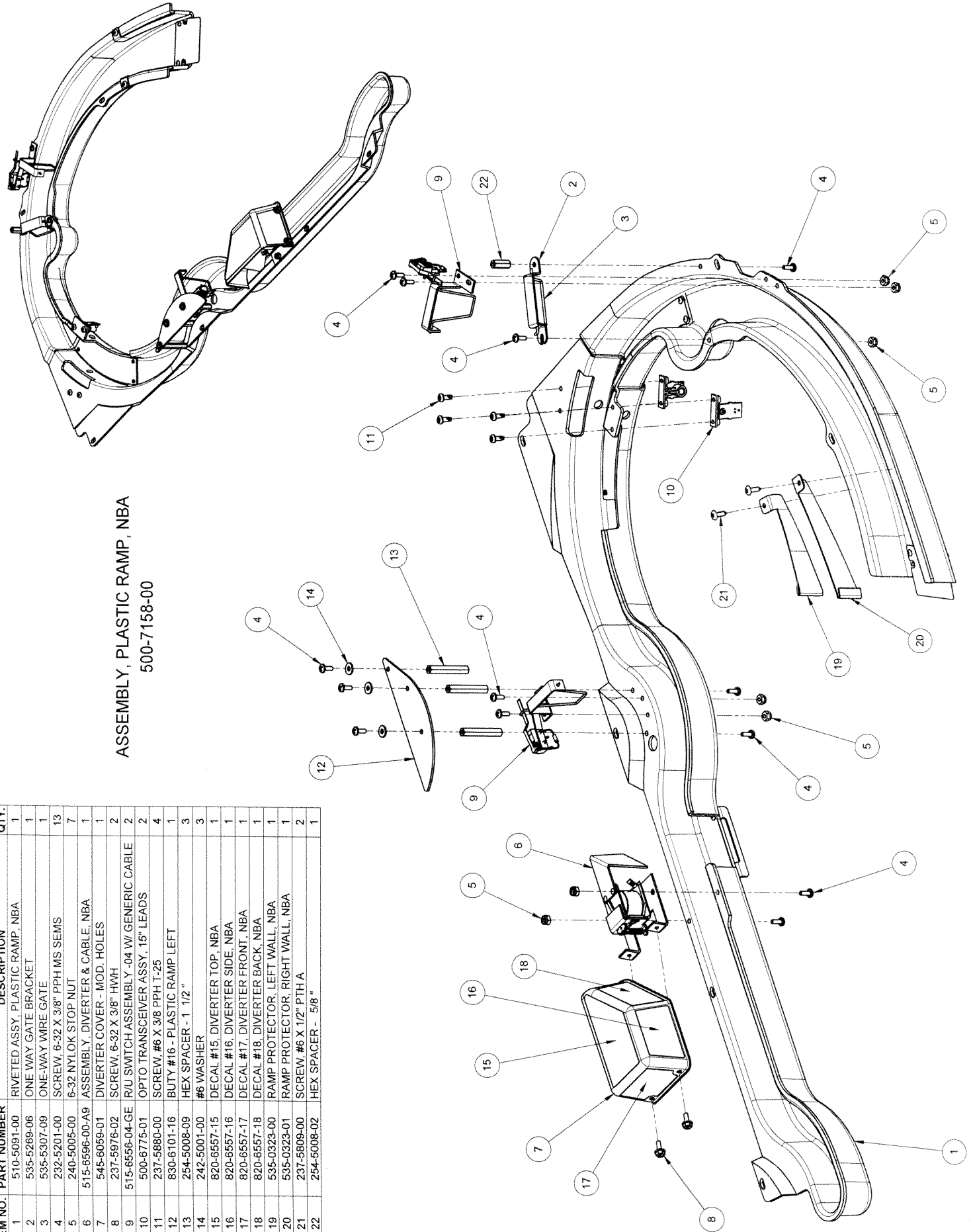


4-Bank View Shown **3-Bank is used.**

Assemblies & Ramps

ITEM NO.	PART NUMBER	DESCRIPTION	QTY.
1	510-5091-00	RIVETED ASSY, PLASTIC RAMP, NBA	1
2	535-5269-06	ONE WAY GATE BRACKET	1
3	535-5307-09	ONE-WAY WIRE GATE	1
4	232-5201-00	SCREW, 6-32 X 3/8" PPH MS SEMS	13
5	240-5005-00	6-32 NYLOK STOP NUT	7
6	515-6596-00-A9	ASSEMBLY, DIVERTER & CABLE, NBA	1
7	545-6059-01	DIVERTER COVER - MOD. HOLES	1
8	237-5976-02	SCREW, 6-32 X 3/8" HWH	2
9	515-6556-04-GE	R/U SWITCH ASSEMBLY -04 W/ GENERIC CABLE	2
10	500-6775-01	OPTO TRANSCIEVER ASSY, 15" LEADS	2
11	237-5680-00	SCREW, #6 X 3/8 PPH T-25	4
12	830-6101-16	BUTY #16 - PLASTIC RAMP LEFT	1
13	254-5008-09	HEX SPACER - 1 1/2"	3
14	242-5001-00	#6 WASHER	3
15	820-6557-15	DECAL #15, DIVERTER TOP, NBA	1
16	820-6557-16	DECAL #16, DIVERTER SIDE, NBA	1
17	820-6557-17	DECAL #17, DIVERTER FRONT, NBA	1
18	820-6557-18	DECAL #18, DIVERTER BACK, NBA	1
19	535-0323-00	RAMP PROTECTOR, LEFT WALL, NBA	1
20	535-0323-01	RAMP PROTECTOR, RIGHT WALL, NBA	1
21	237-5809-00	SCREW, #6 X 1/2" PTH A	2
22	254-5008-02	HEX SPACER - 5/8"	1

ASSEMBLY, PLASTIC RAMP, NBA
500-7158-00

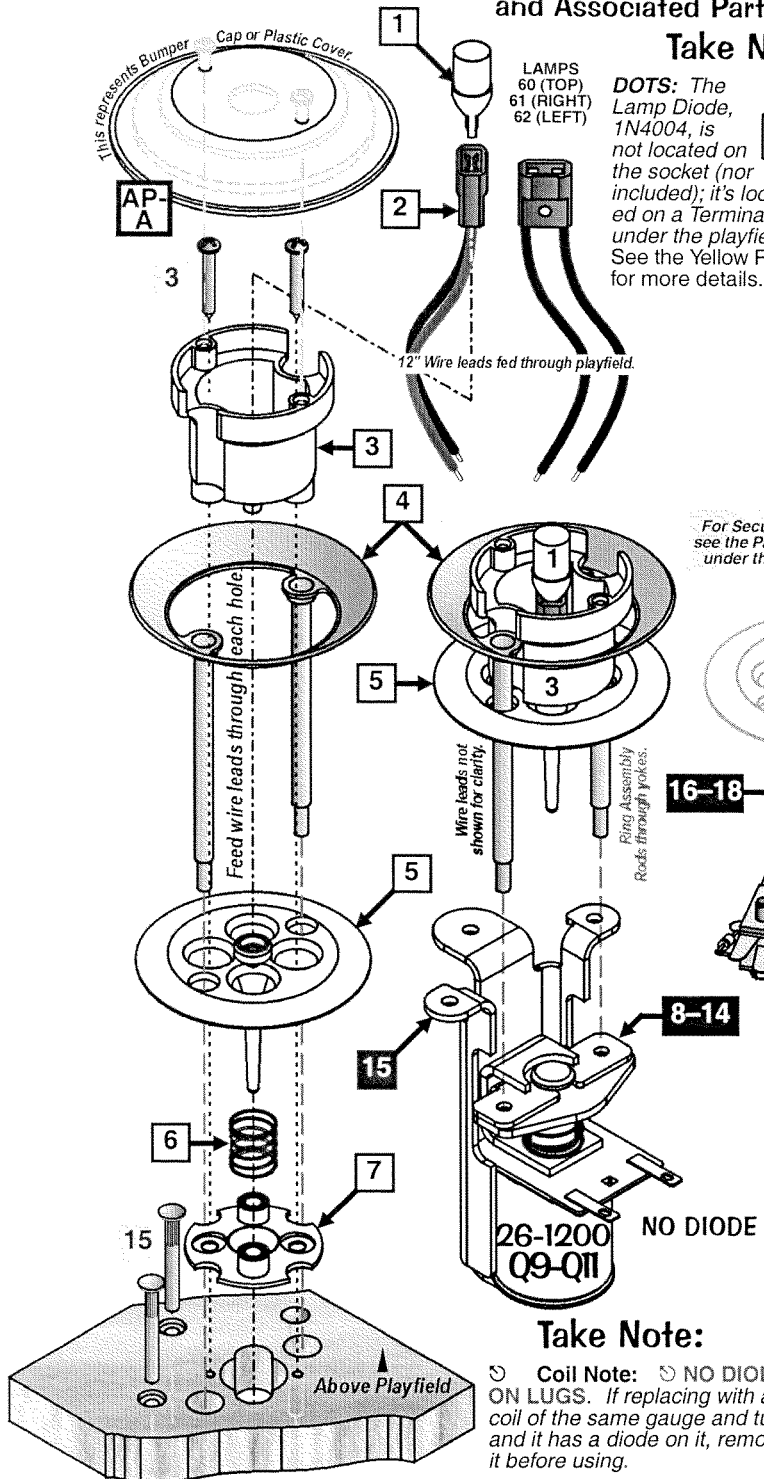


Left, Right & Bottom Bumper & Switch Individual Parts Only (Items 1-18)

and Associated Part: See Parts Table Below.

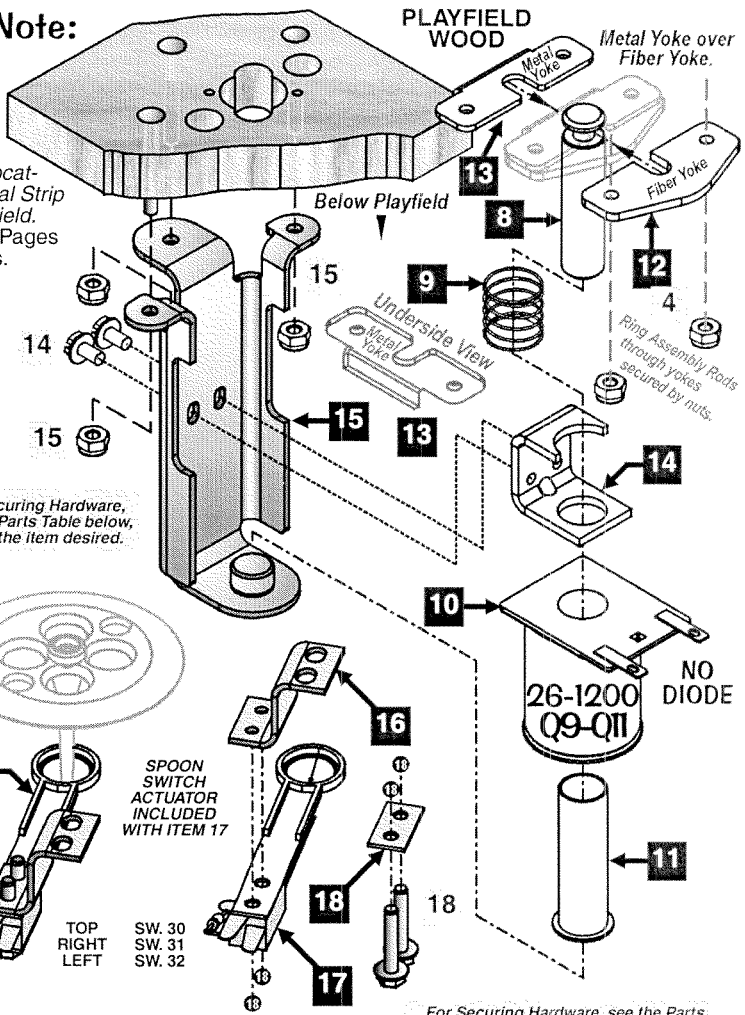
Take Note:

DOTS: The Lamp Diode, 1N4004, is not located on the socket (nor included); it's located on a Terminal Strip under the playfield. See the Yellow Pages for more details.



Take Note:

Coil Note: NO DIODE ON LUGS. If replacing with a coil of the same gauge and turn and it has a diode on it, remove it before using.



For Securing Hardware, see the Parts Table below, under the item desired.

Nr.	BUMPER TOP PARTS	QTY.	SPI PART Nr.
1	LED Module (WHT) (6.3v) Wedge Base	1/per	112-5024-08
2	Wedge Base Socket	1/per	077-5206-00
3	Bumper Body	1/per	545-5197-00
Item 3 is secured above the P/F by: #5 X 7/8" PRH AB (Zinc) (Qty. 2/per) (237-5826-00)			
4	Ring Assembly	1/per	515-5085-00
Item 4 is secured by: #6-32 Nylon Stop Nut (Qty. 2/per) (240-5005-00)			
5	Bumper Skirt (Switch Actuator)	1/per	545-5607-00
6	Bumper Skirt Compression Spring	1/per	266-5048-00
7	Bumper Base	1/per	545-5195-00
(ASM. REF. 515-6459-01L (Qty. 3), Items 1-7)			

The Top & Bottom Assemblies are secured together by hardware noted in Item 4.

Nr.	BUMPER BOTTOM PARTS	QTY.	SPI PART Nr.
8	Plunger	1/per	530-5348-00
9	Compression (Return) Spring	1/per	266-5047-00
10	Coil, 26-1200 [NO DIODE]	1/pe	090-5044-ND
COIL DOES NOT REQUIRE A DIODE. SEE COIL NOTE ABOVE FOR DETAILS.			
11	Coil Sleeve	1/per	545-5031-00
12	Fiber Yoke	1/per	545-5609-00
13	Metal Yoke	1/per	535-7346-00
14	Metal Yoke Stop	1/per	535-7347-00
Item 14 is secured by: #6-32 X 1/4" HWH Swage (Serr.) Zinc (Qty. 2/per) (237-5976-01)			
15	Coil Bracket Welded Assembly	1/per	515-5939-00
Item 15 is secured below the playfield by: #6-32 X 1-3/16" Spiral Fin Shank (Qty. 3/per) (237-5957-00) and #6-32 Nylon Stop Nut (Qty. 3/per) (240-5005-00)			
(ASM. REF. 515-6459-04-ND (Qty. 3), Items 8-15)			

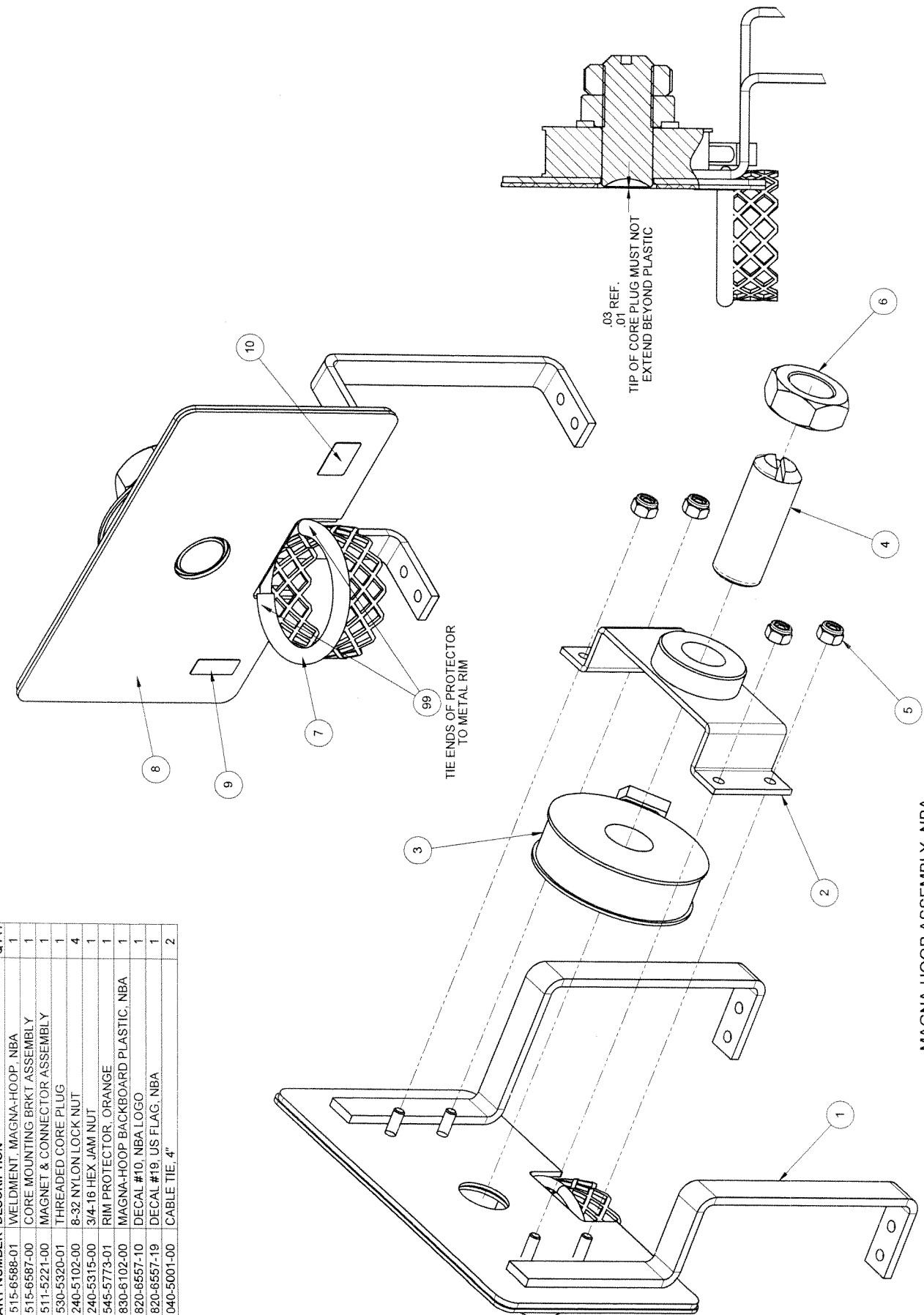
Nr.	BUMPER SWITCH PARTS	QTY.	SPI PART Nr.
16	Switch Bracket	1/per	535-7342-00
Item 16 is secured by: #8 X 1/2" HWH AB (Zinc) (Qty. 2/per) (234-5101-00)			
17	Bumper Stack (Blade) Switch Assy.	1/per	180-5015-04
Included with Item 17: Spoon Switch Actuator (545-5610-02). Switch has a Diode (1N4004) (112-5003-00). Can be replaced with (1N4001) (112-5001-00).			
18	Switch Body Protect Plate	1/per	535-7344-00
Items 17 & 18 are secured by: #6-32 X 3/4" HWH Swage (Serr) Zc. (Qty. 2) (237-5976-05)			
Can substitute Item 17 with 180-5015-05 (ASM. REF. 515-6459-09/R (Qty. 3), Items 16-18)			

ASSOCIATED PARTS ARE NOT INCLUDED WITH THE ABOVE ASSEMBLIES.

Nr.	ASSOCIATED PART(S)	QTY.	SPI PART Nr.
AP-A	Kit: Plastics (includes -10, -11 & -12)	1	803-5000-A9
Note: Individual Plastics (830-6101-XX) are not available individually, ordering of kit is required.			
Item AP-A is secured Item 3 by: #5 X 7/8" PRH AB (Zinc) (Qty. 2/per) (237-5826-00)			

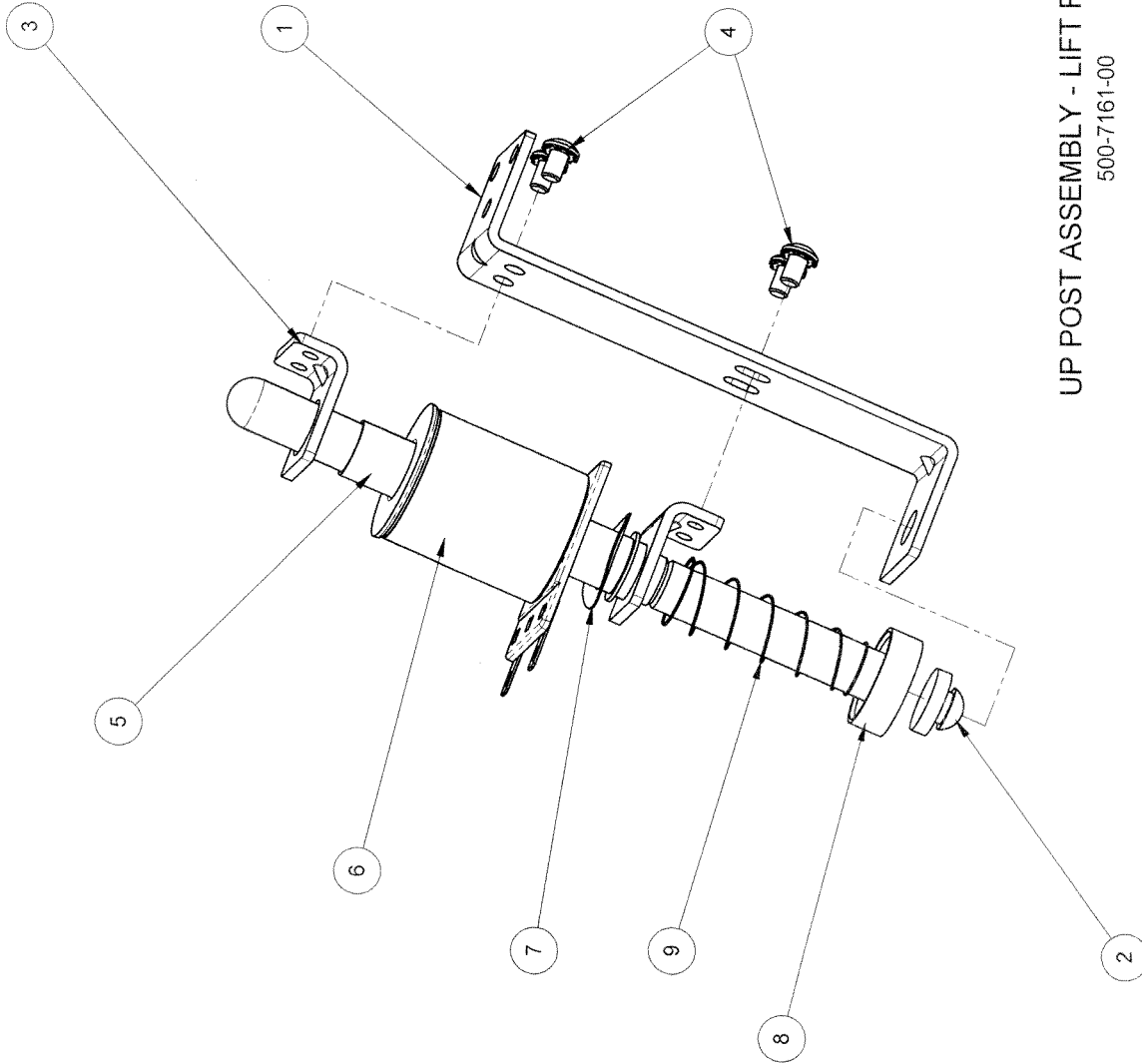
Assemblies & Ramps

ITEM NO.	PART NUMBER	DESCRIPTION	QTY.
1	515-6588-01	WELDMENT, MAGNA-HOOP, NBA	1
2	515-6587-00	CORE MOUNTING BRKT ASSEMBLY	1
3	511-5221-00	MAGNET & CONNECTOR ASSEMBLY	1
4	530-5320-01	THREADED CORE PLUG	1
5	240-5102-00	8-32 NYLON LOCK NUT	4
6	240-5315-00	3/4-16 HEX. JAM NUT	1
7	545-5773-01	RIM PROTECTOR, ORANGE	1
8	830-6102-00	MAGNA-HOOP BACKBOARD PLASTIC, NBA	1
9	820-6557-10	DECAL #10, NBA LOGO	1
10	820-6557-19	DECAL #19, US FLAG, NBA	1
99	040-5001-00	CABLE TIE, 4"	2



MAGNA-HOOP ASSEMBLY, NBA
500-7162-00

b14



ITEM #	QTY	PART #	DESCRIPTION
1	1	535-0313-00	BRACKET - UP POST ASSEMBLY
2	1	545-5105-00	RUBBER BUMPER
3	2	535-5203-03	COIL RETAINING BRACKET
4	4	232-5300-00	SCREW, 8-32 X 1/4" PPH SEMS
5	1	545-5847-00	COIL SLEEVE
6	1	090-5044-ND	COIL 26-1200 - NO DIODE
7	1	269-5002-00	SPRING WASHER
8	1	515-7724-00	PLUNGER ASSEMBLY
9	1	266-5022-00	COMPRESSION SPRING-CONICAL

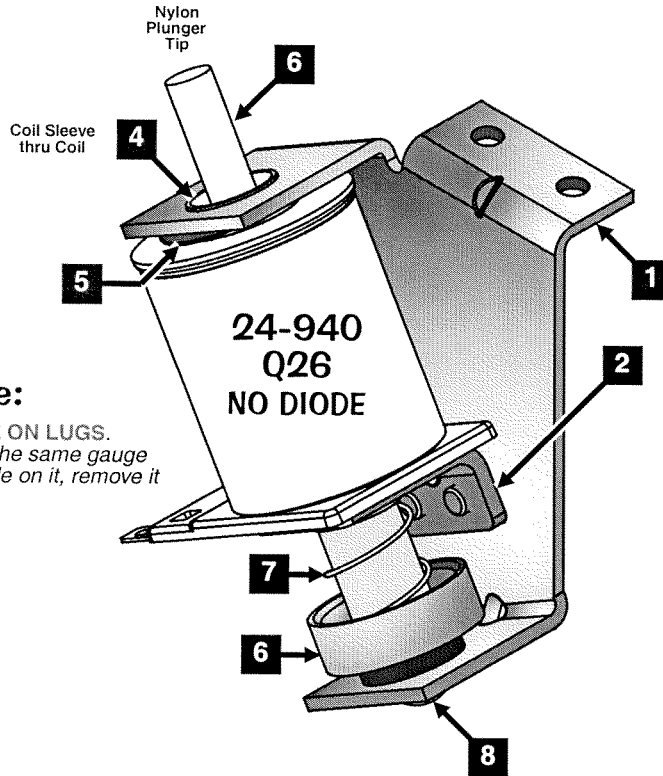
UP POST ASSEMBLY - LIFT RAMP - NBA
500-7161-00

Eject (30°) Assembly, 500-6511-01-ND (Items 1-8)

and Associated Parts: See Parts Table Below

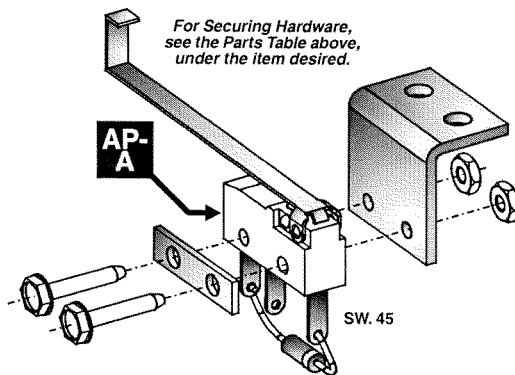
Ball is stopped in the Eject Hole and kicked out into the upper Slingshots in the Map Room.

Nr.	30° EJECT PARTS	QTY.	SPI PART Nr.	Nr.	30° EJECT PARTS	QTY.	SPI PART Nr.
1	Mounting Bracket 30° Eject (Left)	1	535-8932-02	8	Rubber Bumper (Grommet)	1	545-5105-00
Item 1 is secured below the P/F by: #8 X 1/2" SHWH AB (Zinc) (Qty. 2) (234-5101-00)				Ordering Note: If 500-6511-01-ND is unavailable, order the individual part(s) actually required.			
2	Coil Retaining Bracket	1	535-5203-03	ASSOCIATED PART IS NOT INCLUDED WITH THE ABOVE ASSEMBLY.			
Item 2 is secured to Item 1 by: #8-32 X 1/4" PPH MS (Sems) (Qty. 2) (232-5300-00)				Nr.	ASSOCIATED PART(S)	QTY.	SPI PART Nr.
3	Coil, 24-940 [NO DIODE]	1	090-5036-ND	AP-A	Switch (Eject) Assembly	1	500-6520-01
COIL DOES NOT REQUIRE A DIODE. SEE ☉ COIL NOTE BELOW FOR DETAILS.				For Individual Items use : Switch Bracket (535-6173-00), Micro Switch (180-5186-01), Switch Body Protect Plate (535-6539-00), Diode 1N4004 (112-5003-00), #2-56 X 1/2" Unslit Serr HWH #4 Hd TR3 Black (Qty. 2) and (237-5937-02) #2-56 Hex Nut (Qty. 2) (240-5301-00)			
4	Coil Sleeve (Short) (Formost #10-7077)	1	545-5076-01	Bracket secured to P/F by: #8 X 1/2" SLT HWH AB (Zinc) (Qty. 2) (234-5101-00)			
5	Spring Washer (17/32" ID X 3/4" X 1")	1	269-5002-00				
6	Plunger (with Nylon Tip) Assembly	1	515-7197-00				
7	Compression (Return) Spring	1	266-5020-00				



Take Note:

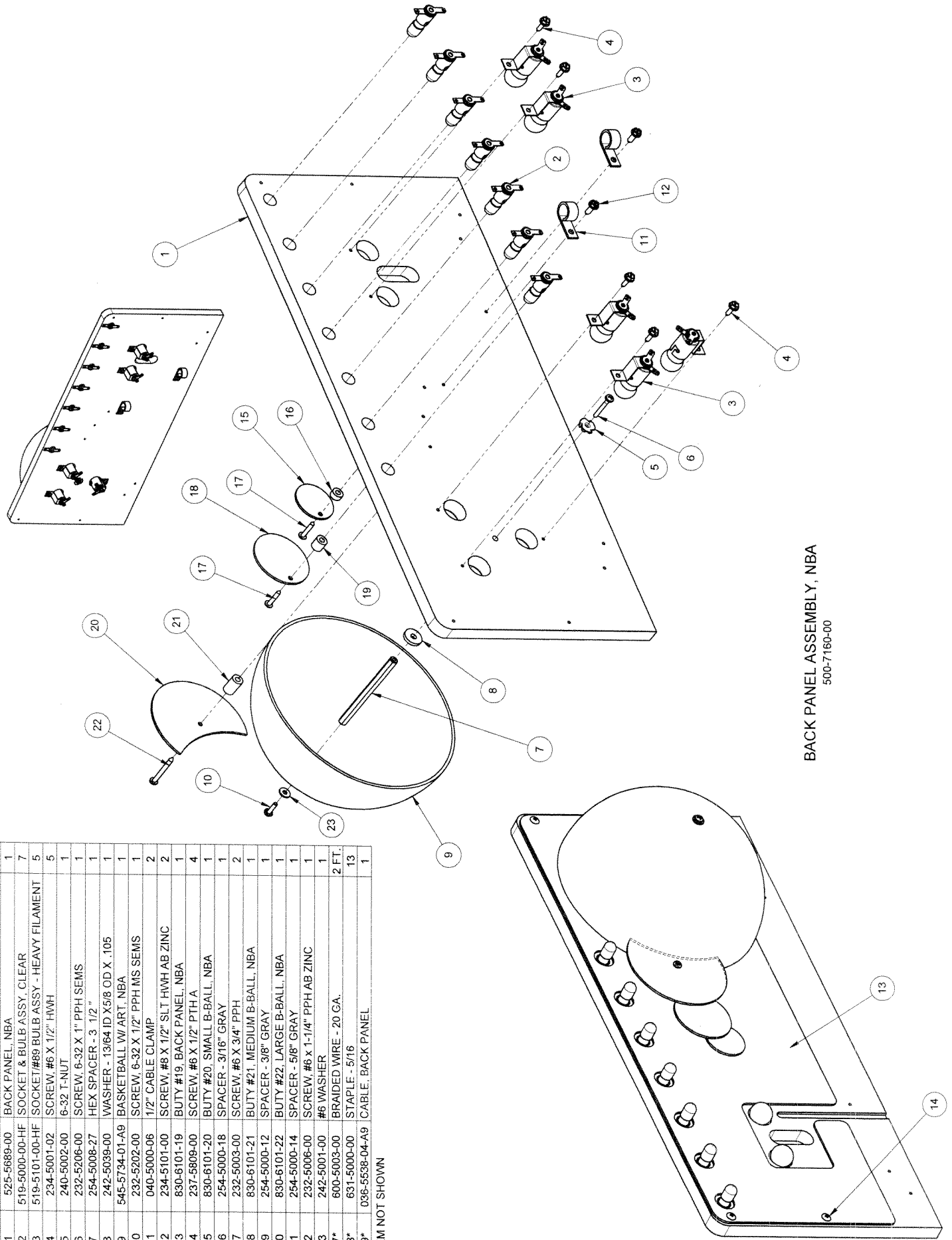
☉ Coil Note: ☉ NO DIODE ON LUGS.
If replacing with a coil of the same gauge and turn and it has a diode on it, remove it before using.



Sec. 4: Drawings ...

ITEM NO.	PART NUMBER	DESCRIPTION	QTY.
1	525-5689-00	BACK PANEL, NBA	1
2	519-5000-00-HF	SOCKET & BULB ASSY, CLEAR	7
3	519-5101-00-HF	SOCKET/#89 BULB ASSY - HEAVY FILAMENT	5
4	234-5001-02	SCREW, #6 X 1/2" HWH	5
5	240-5002-00	6-32 T-NUT	1
6	232-5206-00	SCREW, 6-32 X 1" PPH SEMS	1
7	254-5006-27	HEX SPACER - 3 1/2"	1
8	242-5039-00	WASHER - 13/64 ID X 5/8 OD X .105	1
9	545-5734-01-A9	BASKETBALL W/ ART, NBA	1
10	232-5202-00	SCREW, 6-32 X 1/2" PPH MS SEMS	1
11	040-5000-06	1/2" CABLE CLAMP	2
12	234-5101-00	SCREW, #8 X 1/2" SLT HWH AB ZINC	2
13	830-6101-19	BUTY #19, BACK PANEL, NBA	1
14	237-5809-00	SCREW, #6 X 1/2" PTH A	4
15	830-6101-20	BUTY #20, SMALL B-BALL, NBA	1
16	254-5000-18	SPACER - 3/16" GRAY	1
17	232-5003-00	SCREW, #6 X 3/4" PPH	2
18	830-6101-21	BUTY #21, MEDIUM B-BALL, NBA	1
19	254-5000-12	SPACER - 3/8" GRAY	1
20	830-6101-22	BUTY #22, LARGE B-BALL, NBA	1
21	254-5000-14	SPACER - 5/8" GRAY	1
22	232-5006-00	SCREW, #6 X 1-1/4" PPH AB ZINC	1
23	242-5001-00	#6 WASHER	1
98*	600-5003-00	BRAIDED WIRE - 20 GA.	2 FT.
99*	631-5000-00	STAPLE - 5/16	13
99*	036-5538-04-A9	CABLE, BACK PANEL	1

* ITEM NOT SHOWN



BACK PANEL ASSEMBLY, NBA
500-7160-00

b17

Optional Kits available through your Distributor:

Pinball Location Maintenance Standard Kit (for NBA Pinball) 502-6002-A9

***Standard Kit includes :** 8 oz. Novus Wax #2 Fine (Red) (675-0003-01), Cloth, Rubber Rings (used above playfield), Bulbs (Bulb quantities vary and is limited to 25 per type), Fuses (1/per type) and 4 Pinballs. **Note:** Quanties, sizes and contents subject to change without notice.*

Pinball Location Maintenance Deluxe Kit (for NBA Pinball) 502-6003-A9

***Deluxe Kit includes :** Pinball Location Maintenance Standard Kit as described above plus a quantity of Flipper Rebuild Kits. **Note:** Quantity varies which equals the same quantity of flippers used in this game.*

▲ THIS GAME KIT INCLUDES (2) FLIPPER REBUILD KITS ▲

Plastics*Kit (for NBA Pinball) 803-5000-A9

***Plastics Kit includes:** Plastic Sets (830-6101-XX)*

Decals*Kit (for NBA Pinball) 802-5000-A9

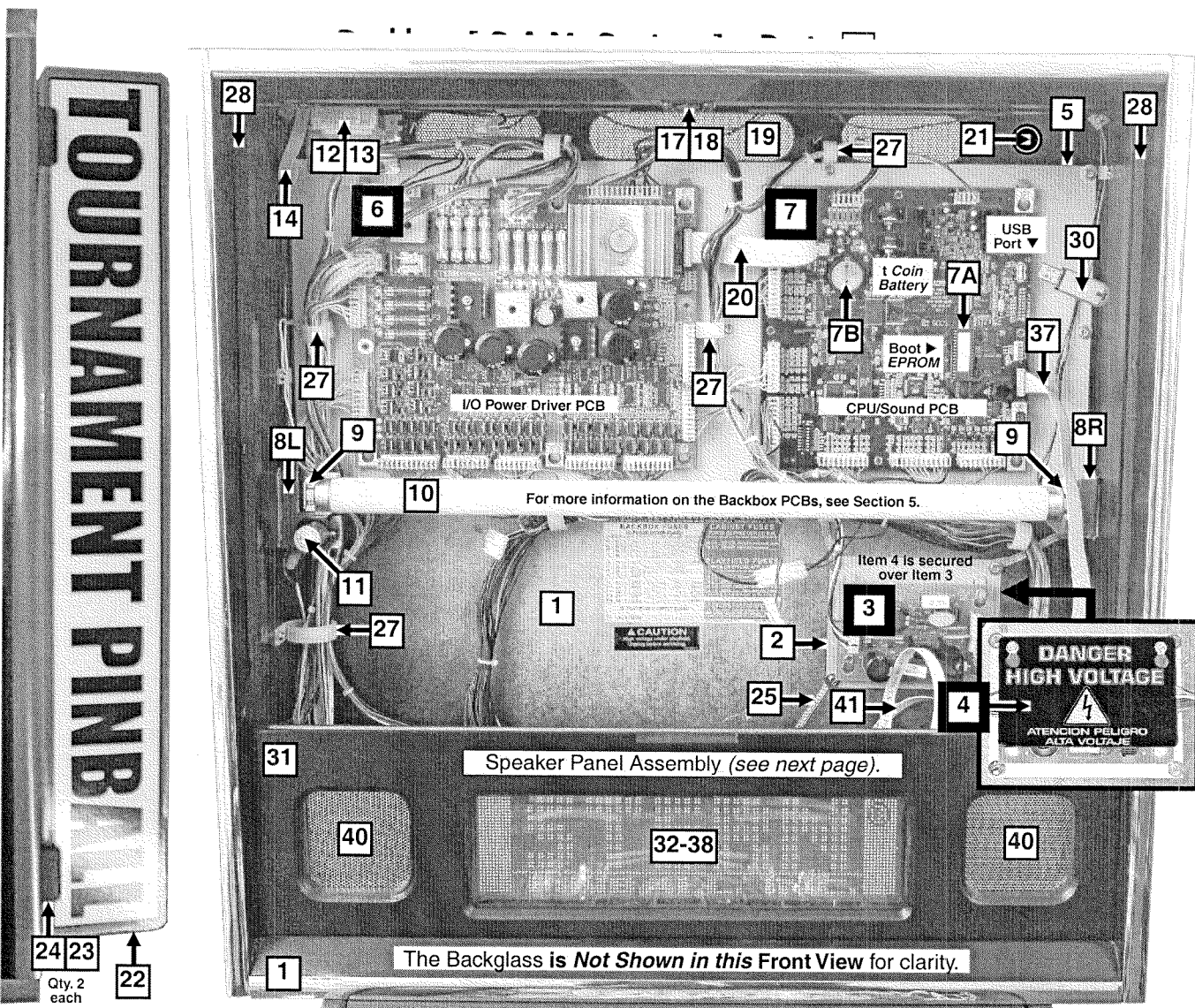
***Decals Kit includes:** Decal Set (820-6557-XX)*

Mylar*Kit (for NBA Pinball) 802-5001-A9

***Mylar Kit includes:** Full Mylar (820-5999-A9)*

****Attention:** No individual Plastic or Decal can be ordered separately, unless noted otherwise. Plastics & Decals are subject to change without notice during and / or after production. Key Fobs subject to availability and may or may not be included in the plastic set. All designs, shapes & pieces used subject to change without notice. Kit contents subject to change. Service Bulletin(s) will announce any critical changes, if warranted. The last 2-digits shown on plastics or decals are for reference only.*

Parts Identification



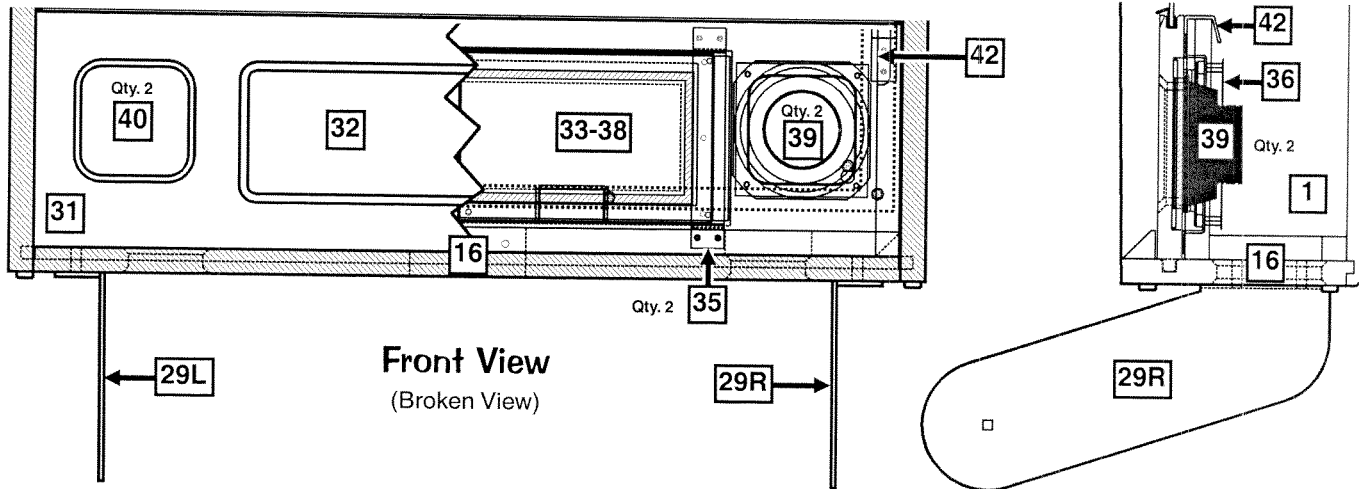
Parts Identification

Nr.	BACKBOX PARTS	QTY.	SPI PART Nr.
1	Backbox NBA™ (No Parts)	1	525-5631-17-A9
<i>Item 1 Note: Chrome T-Molding is installed and cannot be ordered separately. Fuse Description (820-6384-00) and High Voltage Caution (UL) (820-6082-01 & -02) Decals.</i>			
2	PCB Metal Mounting Plate [Display]	1	535-9769-00
3	Display Power Supply PCB	1	520-5138-00
<i>Item 3 is secured to @ bottom by: #8-32 X 3/8" SHWH Swg. (Zinc) (Qty. 2) (237-5975-00)</i>			
4	Plastic Cover [DANGER HIGH VOLTAGE]	1	830-6053-00
<i>Items 3 & 4 are secured to @ top by: 1-1/4" X 3/8" Plastic Spacer Gray (Qty. 2) (234-5101-00) and #10 Washer 7/32" I.D. X .5" O.D. X 1/16" Thick (Qty. 1/hole) (242-5003-00) Note: Where a Wire Clamp (Item 27) is mounted, a #10 Washer is not required.</i>			
5	PCB Metal Mounting Plate [I/O+CPU]	1	535-9664-00
<i>Items 2 & 5 are secured to Item 1 by: #8 X 1/2" SHWH AB (Zinc) (Qty. 1/hole) (234-5101-00) and #10 Washer 7/32" I.D. X .5" O.D. X 1/16" Thick (Qty. 1/hole) (242-5003-00)</i>			
6	I/O Power Driver PCB [S.A.M. Sys.]	1	520-5249-00
7	CPU/Sound PCB [S.A.M. System]	1	520-5246-00
<i>7A: 8MB EPROM #M27C801-100F1 (960-5016-00) Ordering Note: Programmed EPROM (965-BOOT-SAM) 7B: Coin Cell Battery (CR2430 3V) (000-0644-01) For USB Memory Stick Information, see Item 30 on the next page.</i>			
<i>Items 6 & 7 are secured to Item 5 by: #8-32 X 3/8" SHWH Swage (Zinc) (Qty. 10) (237-5975-00) and 1/4" Slf. Rtn. Spacer White (Qty. 5 I/O Qty. 4 CPU) (254-5007-05)</i>			
8L	Fluorescent Light Bracket (Left Style)	1	535-7739-00
8R	Fluorescent Light Brckt. (Right Style)	1	535-7739-01
<i>Items 8L & 8R are secured to Item 1 by: #10-24 X 1-1/4" Carriage Bolt Square Neck (Qty. 2/per) (231-5012-00), #10-24 Keps Nut (Qty. 2/per) (240-5207-00) and 3/4" X 3" Reinforced Strapping Tape (Qty. 1, sold in 12" length only) (626-5040-00)</i>			
9	Fluorescent Lamp Holder (Socket)	2	077-5214-01
<i>Item 9 is secured to Items 8L and 8R by: #6-32 X 5/8" PPH MS (Sems) Zinc (Qty. 1/per) (232-5203-00) Lock-In Fluor. Bulb with Yellow Socket Clip (Qty. 1/per) (545-6271-00)</i>			
10	Fluorescent Tube 24" (F18T8CW)	1	165-5061-00

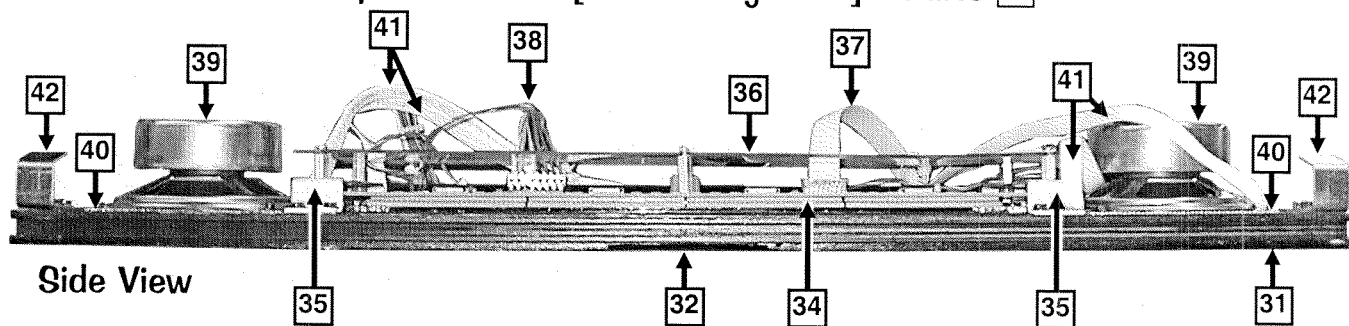
Nr.	BACKBOX PARTS	QTY.	SPI PART Nr.
11	Starter - Fluorescent (FS2 Light)	1	165-5011-01
<i>Starter Base (with leads) [on Item 8L] 1 077-5213-00</i>			
<i>Item 11 is secured to Item 8L by: #4-40 X 1/2" PPH MS (Sems) Zc. (Qty. 2) (237-5813-00)</i>			
12	Ballast Mounting Plate	1	535-8657-00
13	Ballast CU452-W 1/2" Core 120v 60 Hz 13W	1	010-5015-00
<i>Items 12 & 13 are secured to Item 1 by: #8 X 1/2" SHWH AB (Zinc) (Qty. 2) (234-5101-00) >>> CAUTION - VERY HOT" Decal (820-6266-00) EU / UK Only : Ballast, 5/8" Core 50/60 Hz (010-5015-01)</i>			
14	Ground Strap (5")	1	600-5006-05
15*	Roto Lock Male (on Cabinet)	1	355-5006-01
16	Roto Lock Female (R2-0002-02)	1	355-5006-02
<i>Item 16 is secured by: #10-24 X 1-3/4" CBSN (231-5022-00), #10-24 Keps Nut (Qty. 2) (240-5207-00), #10-24 X 2" CBSN (231-5045-00) and #10 Washer 7/32" I.D. X .5" O.D. X 1/16" (Qty. 5) (242-5003-00); See opposite next page.</i>			
17	Lock Mounting Plate	1	535-0072-00
18	Lock 5/8" Barrel, 3/4"Ø, 1.5" Flat Cam	1	355-5055-00
<i>Items 17 & 18 are secured by: #8 X 1/2" TP Torx T20 Black (Qty. 2) (237-6173-05)</i>			
19	Back Vent Grill 2-1/2" X 18"	1	545-5072-02
20	Ribbon Cable, 20-Pin (3.5")	1	036-5000-350
<i>Item 20 connects the I/O Pwr. Dvr. PCB to the CPU/Sound PCB; For 14-Pin see next page.</i>			
21	Button Hole Plug (Blk) (Happ #52-6214-00)	1	500-6566-00
<i>Item 21 plugs the Access Hole required if using optional BETAbrite Sign or Data cables.</i>			
22	Header Sign TOURNAMENT PINBALL	1	545-6133-00
23	Bracket, Tournament Sign (Black)	2	535-0081-02
<i>Item 22 is mounted to item 23 with #8-32 x 3/8 PPA screw (Qty 2/per) (232-5303-01) & #8-32 Nylock Nut (Qty 2/per) (240-5102-00). Item 23 is secured to Item 1 by: #8 X 5/8" PPH (Qty. 2/per) (232-5101-01)</i>			

PARTS TABLE & VIEWS CONTINUED ON THE NEXT PAGE. ▶

Backbox [S.A.M. System] - Parts



Speaker Panel [S.A.M. System] - Parts



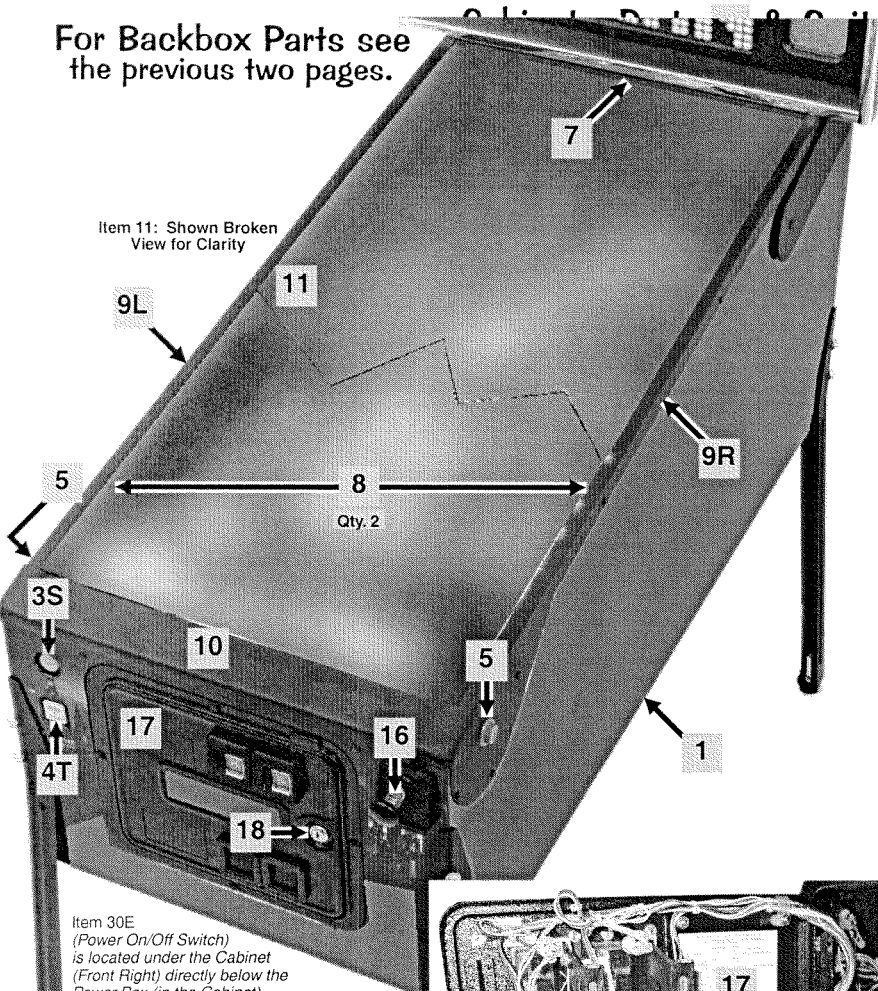
Nr.	BACKBOX PARTS	QTY.	SPI PART Nr.	Nr.	SPEAKER PANEL PARTS	QTY.	SPI PART Nr.
← PARTS TABLE & VIEWS CONTINUED FROM THE PREVIOUS PAGE.							
25	Braided Wire (1-1/2 Feet)	1	600-5001-00	31	Speaker Panel (Black Wood)	1	525-5515-00
Item 25 is secured by: Staple 5/16" (Qty. 23) (631-5000-00)							
26*	Zip Cable Tie (Screw Down Style)	5	040-5005-00	32	Plastic Shield (Display Front Cover)	1	545-5884-00
Item 26 is secured @ inside bot. by: #8 X 1/2" SHWH AB (Zinc) (Qty. 1/per) (234-5101-00)							
27	Clamps [Multiple Sizes]	27	040-5000-XX	33*	Foam 3/16" Thick X 1/4" Wide X 12" Above Item 33 is self-adhesive. Located between Items 32-34. Sold in 12" Lengths only.	6	626-5026-00
Item 27 secured by: #8 X 1/2" SHWH AB (Zinc) (Qty. 1/per) (234-5101-00) For the following sizes, replace -XX with: .1/4" Double = -23 (Qty. 5); 1/2" Single = -06 (Qty. 3); 3/4" Single = -08 (Qty. 4); 1" Single = -09 (Qty. 1); 1-1/4" Double = -30 (Qty. 1)							
28	Foam 3/16" Thick X 1/4" Wide X 12"	6	626-5026-00	34	128 X 32 Dot Matrix Display PCB	1	520-5052-00
Above Item 28 is self-adhesive. 17.5" strip on each side. Sold in 12" Lengths only.							
29L	Pivot Hinge (Left Style)	1	535-7999-00	34	// EURO ONLY RoHS // 128 X 32 DM CES PCB		520-5052-05
29R	Pivot Hinge (Right Style)	1	535-7999-01	// EURO ONLY RoHS // Dot Matrix Bezel			
Items 29L-29R are secured to Backbox by: 1/4"-20 X 1-1/4" C.B. Sq. Neck (Qty. 4) (231-5003-00) and 1/4"-20 Flange Nut (Qty. 4) (240-5300-00)							
Items 29L-29R are secured to Cabinet by: Spacer Hex Nut 1/2" O.D. - 1/4-20 X 1/2" TD (Black) (Qty. 1/per) (254-5042-00), Nylon Spacer (Black) (Qty. 1/per) (242-5084-00), 1/4-20 X 1/2" Carriage Bolt Square Neck (Black) (Qty. 1/per) (231-5072-00) and Washer 1" O.D. X 1/2" I.D. X 1/16" (Black) (Qty. 1/per side, only if required) (242-5087-00)							
30*	Memory Stick USB 1.1+ [Generic] 64MB		970-0064-00	35	Dot Matrix Display Mounting Bracket	2	535-8368-01
	Memory Stick USB 1.1+ [Generic] 128MB		970-0128-00	Item 35 is secured to Item 31 by: #8 X 1/2" SHWH AB (Zinc) (Qty. 4/per) (234-5101-00)			
Item 30 was not included with your game. Read the inside cover or go on-line for more info. To order with the latest game code copied onto it, add -A3 to the Part Nr. (970-0128-00-A3). File(s) can be downloaded from our website (Files are 25MB or larger, DSL or Fast Modem recommended). Not all manufacturers of Memory Sticks are compatible with our system. Test it out, if it doesn't work properly, return your purchase and order the memory stick through your local pinball distributor (Stem Pinball Memory Sticks guaranteed compatible).							
(ASM. REF. 505-6002-A3-A3, Items 1-42 Only, [29-30 not included in assembly])							
Take Note:							
* An asterisk (*) indicates item(s) are not noted in the pictorials.							
36	Plastic Shield (Display Back Cover)	1	830-6040-00	36	Plastic Shield (Display Back Cover)	1	830-6040-00
Item 36 is secured to Item 34 by: 1/2" X 1/4" Hex Spacer #6-32 Tap (Qty. 4) (254-5008-03), 3/4" X 1/4" Hex Spacer #6-32 Tap (Qty. 2) (254-5008-04), #6-32 X 1/4" PPH MS (Sems) Zinc (Qty. 2) (232-5200-00) and #6-32 X 3/8" PPH (Qty. 6) (232-5201-00)							
37	Ribbon Cable, 14-Pin (33")	1	036-5260-33	37	LED Ribbon Cable Filter PCB	1	520-5259-00
Item 37 (14-Pin) connects the 128 X 32 Dot Matrix Display PCB to the CPU/Sound PCB.							
38	Display Cable (Wiring Harness)	1	036-5454-01	38	LED Display Adapter Harness	1	036-5520-00
// EURO ONLY RoHS // LED Display Adapter Harness							
39	Speaker (Shld.) 4" 8Ω #MG ELE 4060SH	2	031-5004-02	39	Speaker (Shld.) 4" 8Ω #MG ELE 4060SH	2	031-5004-02
40	Speaker Grill (Black w/Artwork)	2	535-8081-A9	40	Speaker Grill (Black w/Artwork)	2	535-8081-A9
Items 39-40 are secured by: #8 X 1/2" SHWH AB (Black) (Qty. 4/per) (234-5101-01)							
41	Ground Strap (25") [2 per : Items 35 & 39]	4	600-5006-25	41	Ground Strap (25") [2 per : Items 35 & 39]	4	600-5006-25
42	Speaker Panel Hook Bracket	2	535-7009-02	42	Speaker Panel Hook Bracket	2	535-7009-02
Item 42 is secured by: #8 X 1/2" SHWH AB (Zinc) (Qty. 2/per) (234-5101-00)							
(ASM. REF. 515-6888-05, Items 31-42 Only [includes wiring])							

Parts Identification

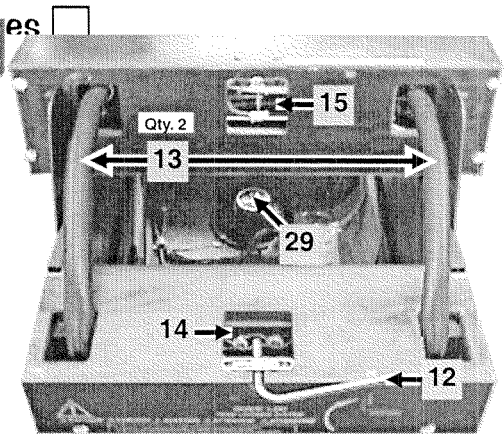
Nr.	BACKGLASS PARTS	QTY.	SPI PART Nr.	Nr.	BACKGLASS PARTS	QTY.	SPI PART Nr.
j*	Glass (Tempered) 25.906" X 19.187" X .125"	1	660-5038-02	iv*	Bottom Plastic Lift Channel - 26"	1	545-6313-01
jj*	NBA™ Film Art (#A9)	1	830-52A9-00	v*	Plastic Edging (Left/Right) - 18-1/8"	2	545-5018-14
jjj*	Top Plastic Channel - 26"	1	545-5018-15	Items I-v are secured to Item I by: 3M Tape (Double-Sided), 12" (Qty. 1) (625-5080-00)			
Note: Only 6" required, sold in 12" lengths only.							

(ASM. REF. 515-5450-00-A9, Items I-V)

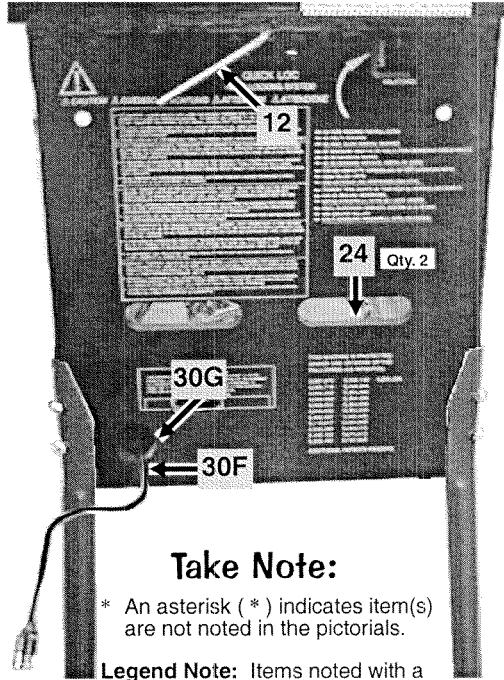
For Backbox Parts see the previous two pages.



Item 11: Shown Broken View for Clarity



View of the back of the Cabinet with the Backbox in the down position.

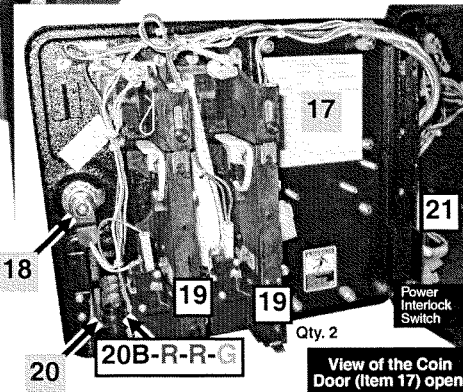


Take Note:

* An asterisk (*) indicates item(s) are not noted in the pictorials.

Legend Note: Items noted with a cyan square are Cabinet Parts. Items noted with a white square are Switches.

Parts Identification



View of the Coin Door (Item 17) open.

Item 30E (Power On/Off Switch) is located under the Cabinet (Front Right) directly below the Power Box (in the Cabinet).

Qty. 4
Item 2 Ordering Note: Leg comes with Leveler. Leveler can be purchased separately. Leg cannot be ordered WITHOUT Leveler (see Parts Table below, Item 2).

Nr.	CAB. PARTS & SWITCHES	QTY.	SPI PART Nr.	Nr.	CAB. PARTS & SWITCHES	QTY.	SPI PART Nr.
1	Screened Cabinet NBA™ (No Parts)		525-5395-15P-A9	7	Rear Glass Channel 20-3/8" Length	1	545-5038-00
2	Black Leg with Leveler Asm.	4	500-5921-50	8	Plastic Channel 42-5/8" Lg. (Left/Rt.)	2	545-5017-00
Item 2 is secured by: Leg Bolt Back Plate (535-5703-00) and Leg Bolt 3/8" X 16 X 2-1/2" Hex 5/8" Hd. (2/per) (231-5001-01) Leg Leveler ONLY (3/8"-16 X 3") (500-5017-00).				9L	Side Armor (Left) with Button Guard	1	535-9596-00
3S	Start Button (Green Round) with Sw. + Lamp	1	500-6388-44-TL	9R	Side Armor (Right) with Button Guard	1	535-9596-01
4T	Tournament Button (Yel. Sq.), w/Sw. + Lamp	1	500-6587-06-TL	Items 9L & 9R are secured @ front & side by: Pem Stud 1/4 X 1" Flange Head Black (Qty. 1/per) (237-6116-01), 1/4-20 Flange Nut (Qty. 1/per) (240-5300-00) and #8 X 1/2" T20 Tamper Proof Black (Qty. 5/per) (237-6173-05); @ rear (backbox) by: #10-24 X 1" Sq. Neck Carr. Bolt Black (Qty. 1/per) (231-5021-00) and #10-24 Hex Nut (Qty. 1/per) (240-5202-00)			
Item 3S & 4T includes the Switch & Lamp (No Wiring; desolder old wiring where required). Switch or Bulb replacement: TWIST LOCK (-TL) >> not snap-in << Assembly Parts Included: Microswitch (180-5174-00); #555 Wedge Base Clear Bulb (165-5002-00); If 4T is not desired, use optional Button Plug Black (500-6566-00). Requires 3-Lug Terminal Strip (055-5204-03) and Diodes, 1N4004 (Qty. 2) (112-5003-00) inside cabinet under button(s) for Lamp Operation (Diode for Switch, located on Switch.)				10	Front Molding (Black) < NO BUTTON HOLE >	1	500-6882-02-00
5	Flipper Button (Red) Assembly (No Switch)	2	500-5026-32	Item 10 includes: Self-Adhesive Foam Rubber 3/8" X 3/16" X 20-3/8" (3) (626-5001-00) Items 10 works with Item 22 (next page) ONLY.			
Item 5 is secured by: Pal Nut for Flipper Button (Metal) (Qty. 2/per) (240-5003-01) Pal Nut inside cabinet secured by: #8 X 1/2" SHWH AB (Zinc) (Qty. 1/per) (234-5101-00) and Washer (Zinc), .187" ID X .875" OD X .048" Thick (Qty. 1/per) (242-5059-00)				11	Playfield Glass (Tempered) 21" X 43" X 3/16"	1	660-5001-00
6S	Flipper Switch Single Assembly	2	500-6889-01	12	Hex Key Allen Wrench 5/16"	1	777-0001-00
Assembly Parts Included: Flipper Switch Stack Single (Paliney Contact) (180-5160-01) and Capacitor - Ceramic .05 Mfd 25 volt (130-5001-00)				13	Corrugated Tubing Black 1" x 2.6" Lg.	1	605-5008-03
Item 6S/6D are secured to Cab. by: #6 X 1-1/4 SHWH AB (Zinc) (Qty. 2/per) (237-5959-00)				Above Item 13 covers the Cable Wiring Harnesses going into the Backbox from the Cabinet.			
6D	Flipper Switch Double Assembly	0	500-6890-01	14	Roto Lock Male (R2-0055-02)	1	355-5006-01
Assembly Parts Included: Flipper Switch Stack Double (Paliney Contact) (180-5164-01) and Capacitor - Ceramic .05 Mfd 25 volt (130-5001-00)				Item 14 is secured by: #10-24 X 1-3/4" Carriage Bolt Square Neck (Qty. 2) (231-5022-00), #10-24 Nylon Stop Nut (Qty. 2) (240-5206-00) and #10 Washer, 7/32" ID X 1/2" OD X 1/16" Thick (Qty. 2) (242-5003-00)			
Item 6S/6D are secured to Cab. by: #6 X 1-1/4 SHWH AB (Zinc) (Qty. 2/per) (237-5959-00)				15	Roto Lock Female (on Backbox)	1	355-5006-02
				16	Ball Shooter (Plunger) Assembly	1	500-6146-00-04

PARTS TABLE & VIEWS CONTINUED ON THE NEXT PAGE. ▶

Main Playfield Top - Miscellaneous Parts and Brackets

Nr.	THE PLAYFIELD	QTY.	SPI PART Nr.
Main	P/F Screened w/ Inserts & NO Parts	1	830-5100-A9
P/F	P/F Complete w/ Inserts & ALL Parts	1	505-6004-A9-A9

Nr.	MISC. PARTS (ABOVE)	QTY.	SPI PART Nr.
1	Arch (Black Metal) <i>(no Forks)</i>	1	535-8392-01
<small>Item 1 is secured to Item 9 below by: #10-32 X 5/16" PFH U/C MS (Zinc) (Qty. 2) (237-6013-00) Usage Note: When replacing the Arch, order new replacement Nelson Protect Strips 7-5/8" (not included) (Qty. 2) (545-5212-04; use -.02 for 8-9/16" size) For Decals, see Playfield Top - Plastics Kit, Decals & Mylar Kits.</small>			
2	Inst. Card [Eng./Spanish] NBA™	1	755-51A9-12-Y
<small>Note: Visit www.sternpinball.com for a PDF copy of the Game Instruction Card which will also have any translated Instruction Cards made for this game. Find Game Link or Archives. Spanish 755-51A2-12-Y; German 755-51A2-03-Y; Italian 755-51A2-04-Y; French 755-51A2-05-Y.</small>			
3A	Coin Card (2-Sided) USA 10 Default	1	755-5400-11-Y
3B	Coin Card (2-Sided) USA 5	1	755-5400-08-Y
3C	Coin Card (2-Sided) Blank for Custom	1	755-5400-04-Y
<small>For Coin Card views, see below or online: http://www.sternpinball.com/coinagecards.shtml Ordering Note: If this is a non-US Game, Coin Card(s) Part Numbers provided will differ.</small>			

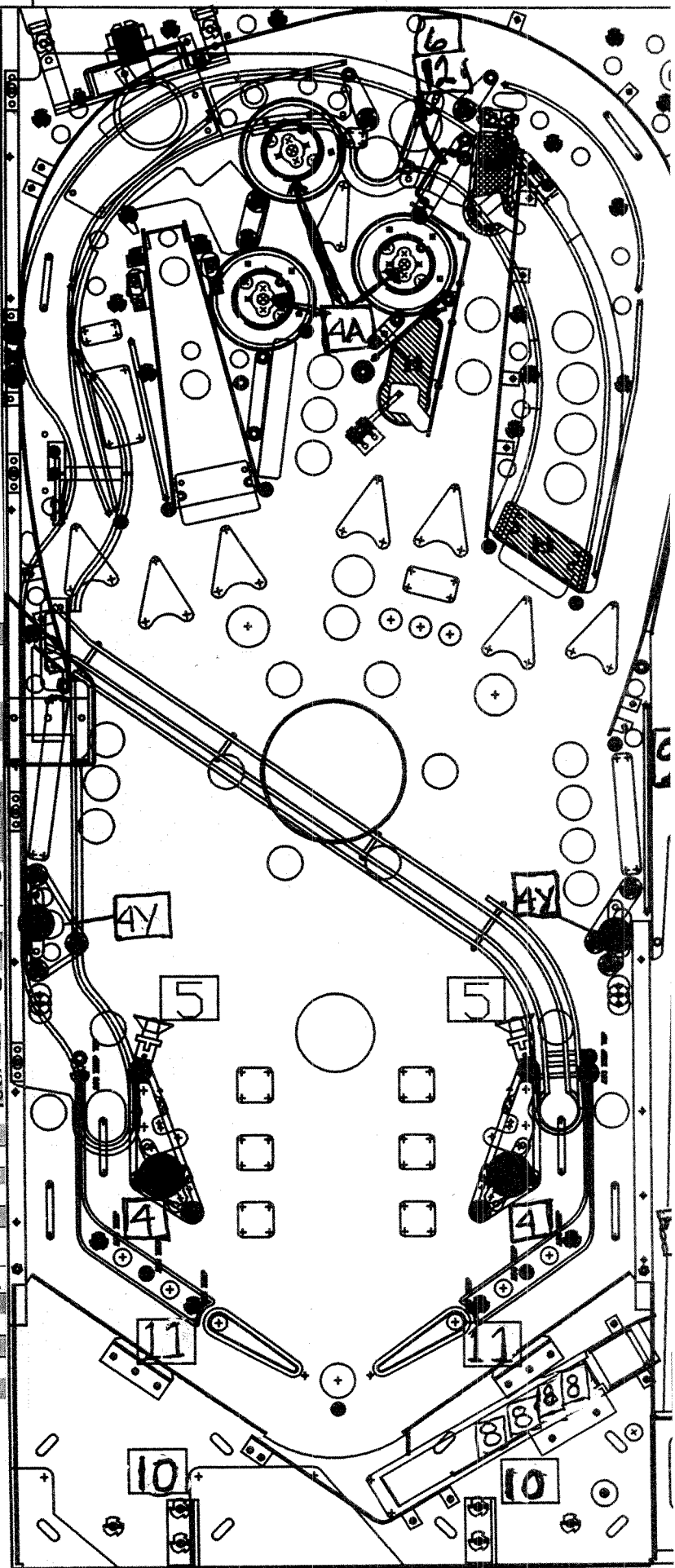


4	Light Cover w/ tabs (Red)	2	550-5031-03
4A	Light Cover w/ tabs (Amber)	3	550-5032-03
4Y	Light Cover w/ tabs (yellow)	2	550-5032-06
5	Light Reflector (Silver Plst.) REF540N	2	545-5409-01
6	Bracket GATE	1 1	535-9079-00 535-5307-09
7	Bubble Level Assembly	1	500-6815-00
<small>Assembly Parts Included: Level, 8mm Empire #0224 (545-6001-01) or Level Mount (545-6068-00). Flange secured by: #6-32 X 1/4" PPH MS (no Sems) Zinc (237-5500-00) and #6-32 Keps Nut (240-5008-00). Item 7 is secured to the Wood Rail by: #6 X 1-3/4" PPH AB (Zinc) (Qty. 2) (232-5009-00)</small>			
8	Pinball (Steel) 1-1/16" ø	4	260-5000-00

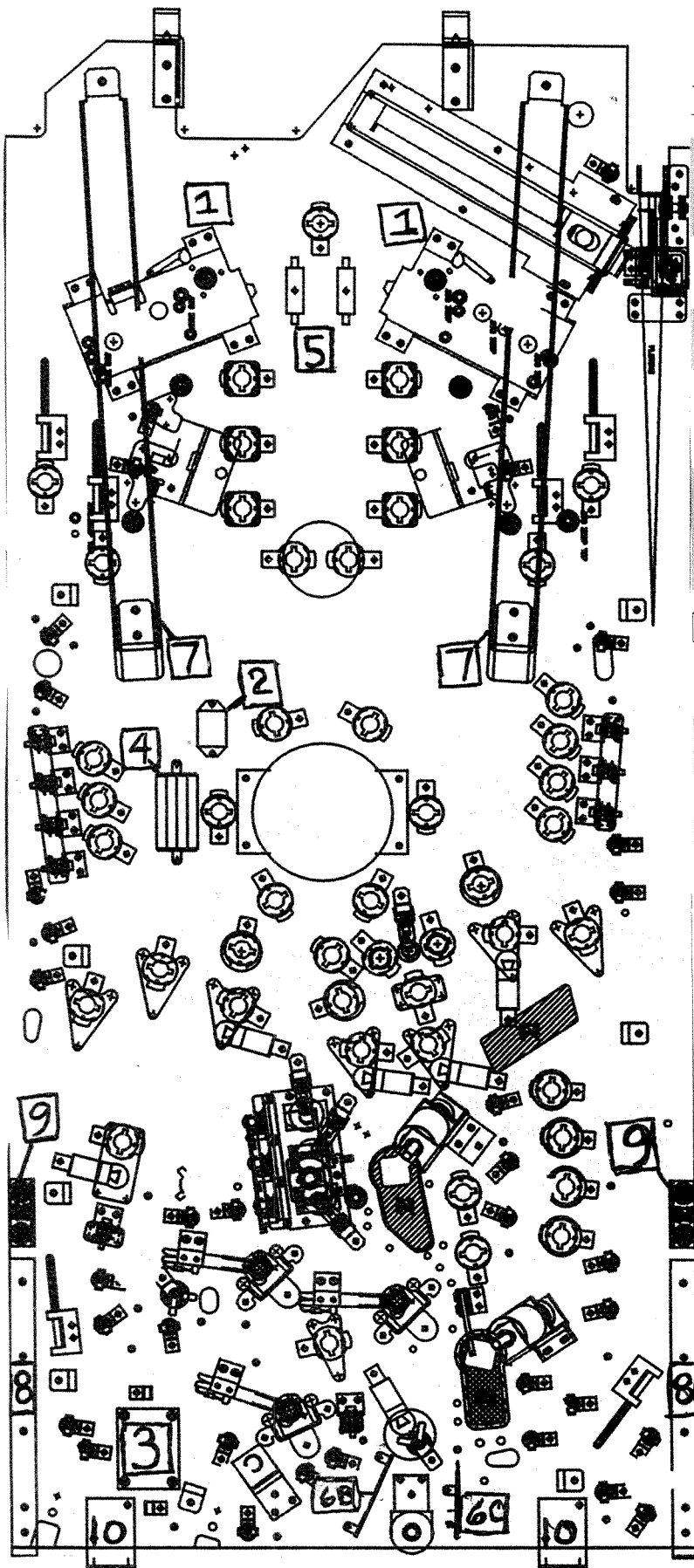
Parts Identification

Nr.	MISC. BRACKETS (ABOVE)	QTY.	SPI PART Nr.
9	Shooter Ramp (Shooter Lane)	1	535-8145-00
10	Bracket, Playfield Hanger	2	535-8385-00
<small>Item 10 is secured to the Playfield (P/F) by: #8-32 X 7/8" Unslotted HWH MS Zinc (Qty. 2/per) (237-5890-00) and #8-32 T-Nut (Qty. 2/per) (240-5101-00)</small>			
11	Bracket, Arch Retaining (Hold-Down)	2	535-8394-00
<small>Item 11 is secured to the P/F by: #8 X 1/2" SHWH AB (Zinc) (Qty. 3/per) (234-5101-00)</small>			
12	Bracket Gate	1 1	535-5269-06 535-5307-02

Nr.	MISC. PARTS	QTY.	SPI PART Nr.



Main Playfield Bottom - Miscellaneous Parts and Brackets



Nr.	THE PLAYFIELD	QTY.	SPI PART Nr.
Main	P/F Screened w/ Inserts & NO Parts	1	830-5100-A9
P/F	P/F Complete w/ Inserts & ALL Parts	1	505-6004-A7-A9

Nr.	MISC. PARTS (BELOW)	QTY.	SPI PART Nr.
1	Insulation Fiche Paper (under Lower Flippers)	2	545-5721-00
2C	Relay + Conn. Asm.	1	511-5211-00
2S	Relay + Conn. Asm.	0	511-5181-01

Item 2 is secured by: #6 X 1/2" SHWH AB (Zinc) Rec (Qty. 2/per) (234-5001-02)
For more details on Items 2C & 2S, see the Yellow Pages, Backbox Wiring, Page y 3.
Individual Part Reference Only: Relay Picker #PC113-2C-C1-24D-LD-X (190-5004-00)

3	PCB, OPTO Transceiver Amplifier	1	520-5239-01
---	---------------------------------	---	-------------

Item 3 is secured by: #6 X 3/4" SHWH AB (Zinc) (Qty. 4) (234-5003-00)
Application Note: Required for OPTO Transceiver Pairs (500-6775-01) listed on the next page (... Switches). See the Yellow Pages, PCBs, Pages y 42 - y 43.

4	Resistor, 10W 5Ω RJ X4 RCD K5-451	4	121-5000-00
---	-----------------------------------	---	-------------

Item 4 are soldered to Item 4A (Qty. 2). For more details on Item 4, see the Yellow Pages, Backbox Wiring, Page y 3. To order Item 4 X4 soldered to Terminal Strip, use 511-5200-00.

5	3A 250v Slo-Blo Fuse	1	200-5000-08
---	----------------------	---	-------------

	Fuse Clip Holder (Socket)	1	205-5000-01
--	---------------------------	---	-------------

Item 5 is secured by: #6 X 1/2" PPH AB (Qty. 1/per) (237-5805-00)
Note: Item 5, Fuse Clip Holder (Socket) 205-5000-01 is part of a set of 12 (205-5000-12). You can order them as individuals (...-01) or a set of 12 (...-12).

6A	Diode Terminal Strip 2-Lug (810) Isolated	0	055-5203-00
----	---	---	-------------

6B	Diode Terminal Strip 3-Lug (813) Isolated	1	055-5204-03
----	---	---	-------------

6C	Diode Terminal Strip 5-Lug (824) Isolated	1	055-5204-05
----	---	---	-------------

Items 6B-6C are secured by: #6 X 3/8" HWH AB Zinc (Qty. 1-2/per) (234-5000-00)
Item 6B (Qty. 1) located in Cabinet. **Note:** 1N4004 Diodes (112-5003-00) are used in all Diode applications. 1N4001 Diodes can be used for Switches and/or Lamps.

Nr.	MISC. BRACKETS (BELOW)	QTY.	SPI PART Nr.
7	Bracket, Playfield Support Slide	2	535-6862-05

Item 7 is secured by: #10 X 1/2" HWH A (Zinc) (Qty. 2/per) (237-5817-00), #8-32 X 5/8" SHWH Swage (Zinc) Wax (Qty. 1/per) (237-5975-03) and #8-32 T-Nut (Qty. 1/per) (240-5101-00)

8	Bracket, Edge Slide (Extended)	2	535-5988-01
---	--------------------------------	---	-------------

Item 8 is secured by: #4 X 1/2" PFH (Zinc) (Qty. 5/per) (237-5840-00) and #8-32 T-Nut (Qty. 2/per) (240-5101-00)

9	Bracket, Pivot Pin Welded Assembly	2	500-5329-03
---	------------------------------------	---	-------------

Item 9 is secured by: #8-32 X 5/8" SHWH Swage (Zinc) Wax (Qty. 2/per) (237-5975-03)

10	Bracket, Back Panel Mounting	2	535-8964-00
----	------------------------------	---	-------------

Item 10 is secured by: #8 X 1/2" SHWH AB (Zinc) (Qty. 2/per) (234-5101-00) and #8-32 T-Nut (Qty. 2/per) (240-5101-00). For a 3D View: See the Blue Pages, Page b 23.

11	Bracket, Hole Protect (center up-post)	0	535-0289-00
----	--	---	-------------

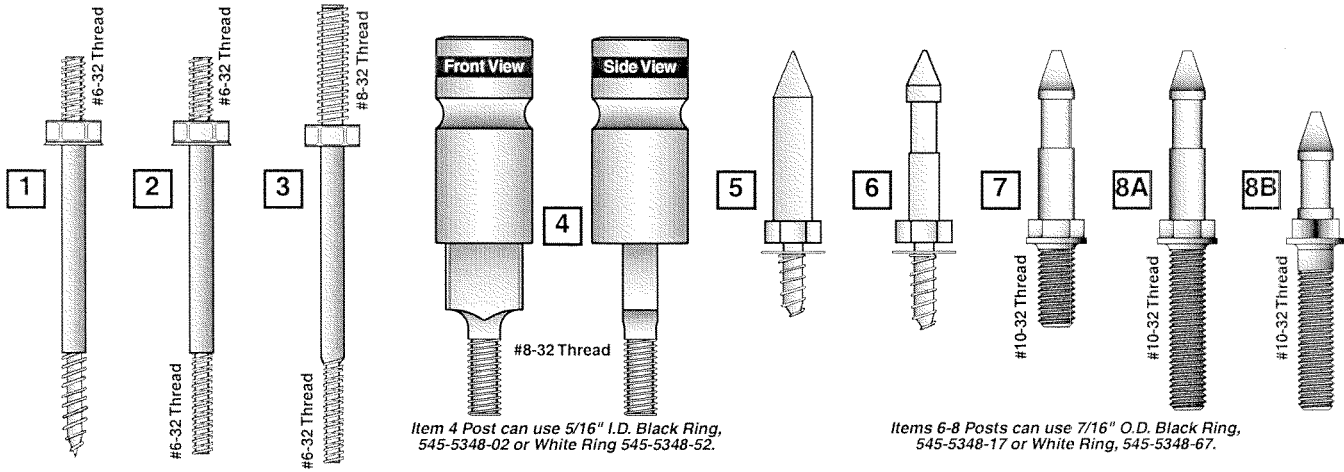
Item 11 secured under the playfield by: #8 X 1/2" SHWH AB (Zinc) (Qty. 2) (234-5101-00)

12	Tie Post (White Nylon) 3-1/2"	0	545-5253-01
----	-------------------------------	---	-------------

Item 12 is secured by: #6 X 5/8" SHWH AB Green (Qty. 1/per) (234-5002-00) and wiring with Cable Tie, 5-1/2" (Qty. 1/per) (040-5001-02)

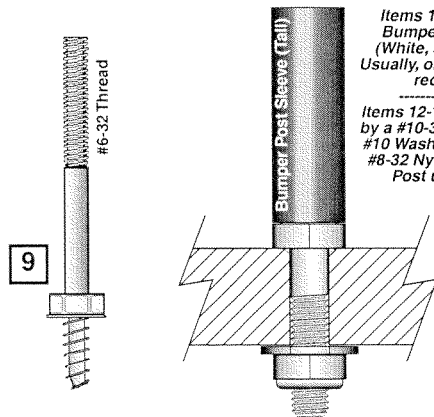
Parts Identification

Playfield - Metal Posts & Fin Shank Screws (Actual Size) †



Item 4 Post can use 5/16" I.D. Black Ring, 545-5348-02 or White Ring 545-5348-52.

Items 6-8 Posts can use 7/16" O.D. Black Ring, 545-5348-17 or White Ring, 545-5348-67.

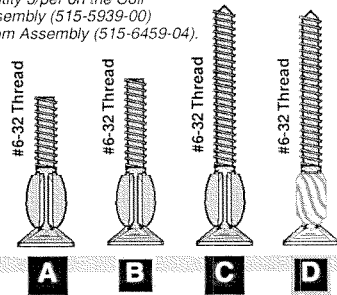


Items 11-16 & 18 Posts can use a Black Bumper Post Sleeve (Tall), 545-5308-00 (White, 545-5308-08 or Red, 545-5308-22) Usually, only Posts which are in the ball path require a Bumper Post Sleeve.

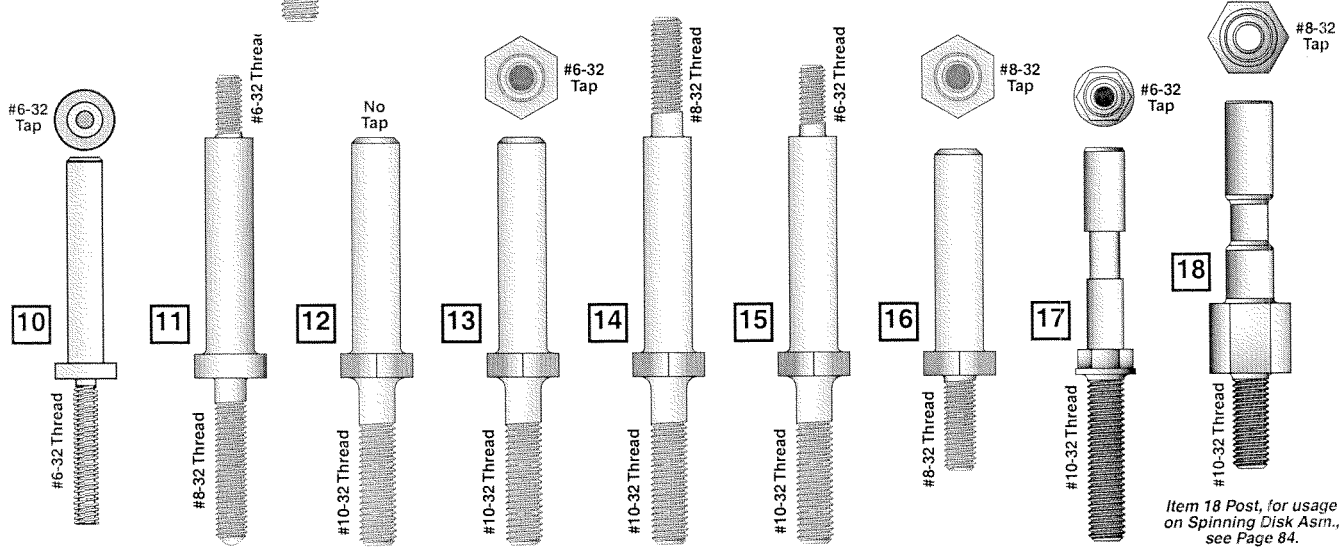
Items 12-15 & 18 Posts are typically secured by a #10-32 Nylon Stop Nut, 240-5203-00 and #10 Washer, 242-5010-00 (Item 11 Post use a #8-32 Nylon Stop Nut, 240-5102-00; Item 16 Post use a #8-32 T-Nut, 240-5101-00).

- A & B** Items A & B Note: Typically used to secure Hex Spacers onto the Playfield Wood or Back Panel.
- C** Item C Note: Quantity 4 on bottom Cabinet Speaker Grill (Qty. 4) (also requires #6-32 Nylon Stop Nut, 240-5005-00).
- D** Item D Note: Quantity 3/per on the Coil Bracket Welded Assembly (515-5939-00) in the Bumper Bottom Assembly (515-6459-04).

A - D Items A-D Note: The "Fins" keep the screw from turning inside the wood hole.



Parts Identification

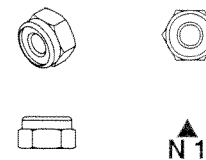


Item 18 Post, for usage on Spinning Disk Asm., see Page 84.

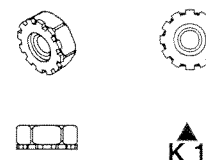
Nr.	METAL POSTS	SPI PART Nr.	Nr.	METAL POSTS	SPI PART Nr.
1	Post [Fasten] #6-32 Thread // Wood Screw	530-5010-02	12	Post [Hex Base] NO TAP // 10-32 Thread	530-5332-00
2	Post [Fasten] #6-32 Thread // #6-32 Thread	530-5012-02	13	Post [Hex Bs.] #6-32 TAP // #10-32 Thread	530-5332-01
3	Post [Fasten] #8-32 Thread // #6-32 Thread	530-5008-00	14	Post [Hex Bs.] #8-32 Thread // #10-32 Thr.	530-5332-02
4	Post Brass [Adjustable, Sliding] #8-32 Thread	530-5621-00	15	Post [Hex Bs.] #6-32 Thread // #10-32 Thr.	530-5332-03
5	Mini-Post Wood Screw (no cut-away)	530-5004-01	16	Post [Hex Bs.] #8-32 TAP // #8-32 Thread	530-5332-04
6	Mini-Post Wood Screw	530-5004-00	17	Post [Hex Bs.+Groove] #6-32 TAP // #10-32 Thr.	530-5679-00
7	Mini-Post Machine Scr. // #10-32 .4" Thread	530-5005-01	18	Post [Hex Bs.+Groove] #8-32 TAP // #10-32 Thr.	530-5753-00
8A	Mini-Post MS // #10-32 .875" Thread	530-5005-00			
8B	Mini-Post Short MS // #10-32 .875" Thread	530-5749-00	Nr.	FIN SHANK SCREWS	SPI PART Nr.
9	Post [Fasten] #6-32 Thread // Wood Screw	530-5263-01	A	#6-32 X 3/4" Fin Shank Screw	237-5921-02
10	Post #6-32 Tap // #6-32 Thread	530-5127-00	B	#6-32 X 7/8" Fin Shank Screw	237-5921-04
11	Post [Fasten] #6-32 Thread // #8-32 Thread	530-5007-00	C	#6-32 X 1 1/4" Fin Shank Screw	237-5883-00
			D	#6-32 X 1 3/16" Spiral Fin Shank Screw	237-5957-00

Playfield - Nylon Stop, KEPS, Hex, T-, Flange, Pal* & Wing Nuts* (Actual Size) †

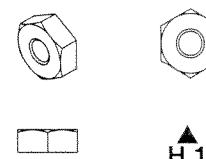
Nr.	NYLON STOP NUTS*	SPI PART Nr.
N1	#6-32 Nylon Stop Nut	240-5005-00
N2	#6-32 N.S. Nut (with 1/4" Hex Body)	240-5010-00
N3	#8-32 Nylon Stop Nut	240-5102-00
N4	#10-32 Nylon Stop Nut	240-5203-00
N5	#10-24 Nylon Stop Nut	240-5206-00
<i>Item N5 used with #10-24 X 1-3/4" Carriage Bolt Square Neck Black (231-5022-00) located in the Cabinet for the Roto Lock (Male) (355-5006-01).</i>		
N6	#4-40 Nylon Stop Nut	240-5303-00
N7	#4-40 (18/8 Stainless) Nylon Stop Nut	240-5303-01
N8	5/16"-18 Nylon Stop Nut	240-5316-00



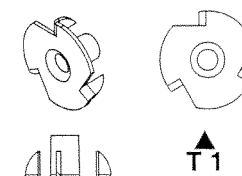
Nr.	KEPS NUTS*	SPI PART Nr.
K1	#6-32 Keps Nut (with Star Washer)	240-5008-00
K2	#6-32 Keps Nut (with 1/4" Hex Body)	240-5011-00
K3	#8-32 Keps Nut	240-5104-00
K4	#10-32 Keps Nut	240-5208-00
K5	#10-24 Keps Nut	240-5207-00
K6	#4-40 Keps Nut	240-5318-00



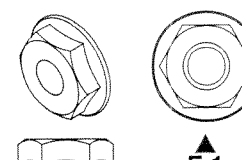
Nr.	HEX NUTS*	SPI PART Nr.
H1	#6-32 Hex Nut (No Star Washer)	240-5004-00
H2	#8-32 Hex Nut	240-5103-00
H3	#10-32 Hex Nut	240-5201-00
H4	#10-24 Hex Nut	240-5202-00
<i>Item H4 used with #10-24 X 1" Carriage Bolt Square Neck Black (231-5021-00) located in the Cabinet for the Side Armor Rear (towards Backbox).</i>		
H5	#10-32 X 3/8" Hex Nut	240-5209-00
H6	3/4-16 Hex Nut	240-5315-00
H7	#2-56 Hex Nut	240-5301-00
H8	7/8"-14 Hex Nut	240-5317-00



Nr.	T-NUTS*	SPI PART Nr.
T1	#6-32 T-Nut	240-5002-00
T2	#6-32 T-Nut (with Side Cut Off)	240-5002-01
T3	#8-32 T-Nut	240-5101-00
T4	#10-32 (Black Oxide) T-Nut	240-5007-00
T5	#10-32 T-Nut (with Side Cut Off)	240-5205-00
T6	#10-32 X 5/16" 3-Prong T-Nut	240-5204-00
T7	#10-24 T-Nut	240-5200-00



Nr.	FLANGE NUT*	SPI PART Nr.
F1	1/4" X 20 Flange Nut	240-5300-00
<i>Item F1 used with 1/4-20 X 1-1/4 Sq. Neck Carriage Bolt Black (231-5003-00) located in the Cabinet for the Side Armor (Front) and Pivot Hinges.</i>		



Nr.	PAL NUTS*	SPI PART Nr.
P1	Plastic Pal Nut (on Flipper Buttons)	240-5003-00
P2	Metal Pal Nut (on Flipper Buttons)	240-5003-01



* Not Shown

Nr.	WING NUTS*	SPI PART Nr.
W1	#6-32 Wing Nut	240-5001-00
W2	#8-32 Wing Nut	240-5100-00
W3	#10-24 Wing Nut	240-5211-00
W4	1/4"-20 Wing Nut	240-5302-00
W5	1/4"-20 Toggle Wing	240-5324-00

* Not Shown

Parts Identification

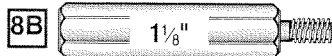
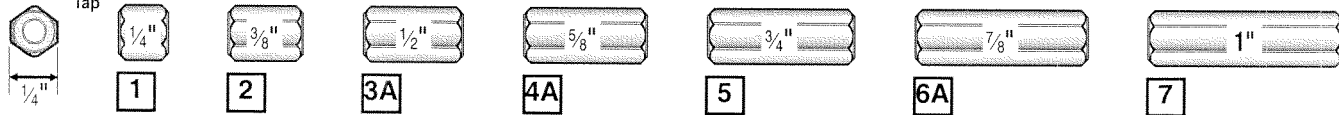
NOT ALL PARTS LISTED ABOVE ARE USED ON THIS GAME (QUANTITIES PER GAME WILL DIFFER). COMPARE ACTUAL PART ON GAME TO ABOVE DRAWINGS TO IDENTIFY THE PART NUMBER REQUIRED.

Playfield Top - Hex Spacers (Actual Size) †

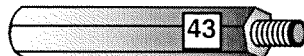
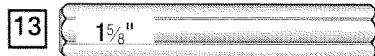
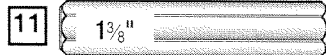
Hex Spacers:

#6-32

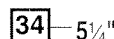
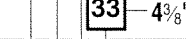
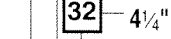
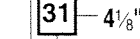
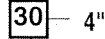
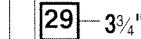
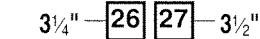
Tap



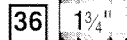
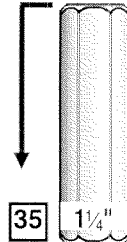
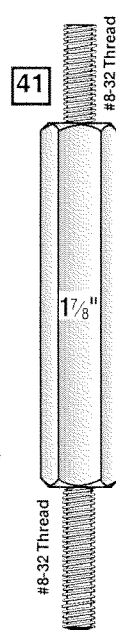
example of "Bs"
with Male #6-32 Thread
1-end, #6-32 Tap on other.



Item 42 Hex Spacer 1/2" X 1/4" #6-32 M/F (Qty. 0) (254-5049-03)
Item 43 Hex Spacer 1-1/2" X 1/4" #6-32 M/F (Qty. 1) (254-5049-09)



Item 44 Hex Spacer
1.13" X .31" #8-32 M/F
(Qty. 0) (254-5050-00)
Not Used This Game



A Standard USA 9 Inch Ruler
is provided on the back cover.

Take Note:

Items 1-33 are 1/4" wide. Items 34-39 are 5/16" wide. With Items 1-3A, 4A, 5 & 6A (the tap goes thru the length of spacer). With Items 7, 8A, 9-33 & 34-39, the tap is up to 5/8" deep on each end. **Note:** Items 3B, 4B, 6B (Not Shown) & 8B (Shown as example of all "B" Styles) all have a #6-32 Threaded end, the other end Tapped (same as Items 7-33).

‡ Hex Spacers Not Used in current games may no longer be available. Choose an available size (+/-) and compensate with washers or other spacers.

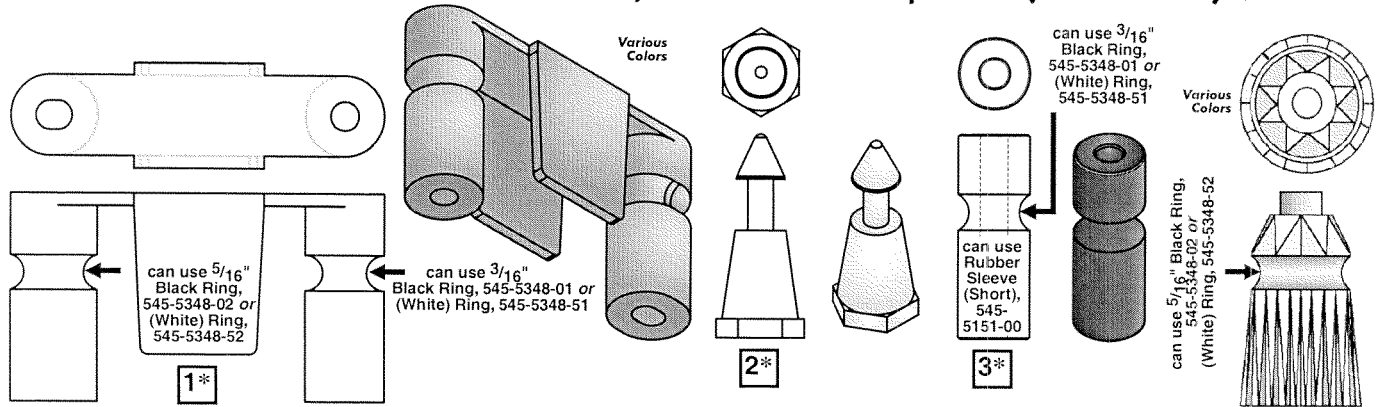
- ☒ Hex Spacer Nut 1/5" O.D. X 1/4"-20 BO (254-5042-00) (Qty. 2)
(with Pivot Hinges Item 29L/R, Page 43, Backbox Parts).
- ☒ Hex Spacer (254-5052-00) (Qty. 4)

Parts Identification

Nr.	HEX SPACERS	SPI PART Nr.	Nr.	HEX SPACERS	SPI PART Nr.
1	1/4" X 1/4" : #6-32 Tap (both ends)	254-5008-00	19	2 3/8" X 1/4" : #6-32 Tap (both ends)	254-5008-28
2	3/8" X 1/4" : #6-32 Tap (both ends)	254-5008-12	20	2 1/2" X 1/4" : #6-32 Tap (both ends)	254-5008-16
3A	1/2" X 1/4" : #6-32 Tap (both ends)	254-5008-03	21	2 5/8" X 1/4" : #6-32 Tap (both ends)	254-5008-08
3B*	Identical to 3A with #6-32 Thread end	254-5024-03	22	2 3/4" X 1/4" : #6-32 Tap (both ends)	254-5008-15
4A	5/8" X 1/4" : #6-32 Tap (both ends)	254-5008-02	23	2 7/8" X 1/4" : #6-32 Tap (both ends)	254-5008-31
4B*	Identical to 4A with #6-32 Thread end	254-5024-02	24	3" X 1/4" : #6-32 Tap (both ends)	254-5008-14
5	3/4" X 1/4" : #6-32 Tap (both ends)	254-5008-04	25	3 1/8" X 1/4" : #6-32 Tap (both ends)	254-5008-19
6A	7/8" X 1/4" : #6-32 Tap (both ends)	254-5008-05	26	3 1/4" X 1/4" : #6-32 Tap (both ends)	254-5008-26
6B*	Identical to 6A with #6-32 Thread end	254-5024-05	27	3 1/2" X 1/4" : #6-32 Tap (both ends)	254-5008-27
7	1" X 1/4" : #6-32 Tap (both ends)	254-5008-06	28	3 5/8" X 1/4" : #6-32 Tap (both ends)	254-5008-25
8A	1 1/8" X 1/4" : #6-32 Tap (both ends)	254-5008-17	29	3 3/4" X 1/4" : #6-32 Tap (both ends)	254-5008-36
8B	Identical to 8A with #6-32 Thread end	254-5024-17	30	4" X 1/4" : #6-32 Tap (both ends)	254-5008-21
9	1 1/4" X 1/4" : #6-32 Tap (both ends)	254-5008-11	31	4 1/8" X 1/4" : #6-32 Tap (both ends)	254-5008-23
10	1 5/16" X 1/4" : #6-32 Tap (both ends)	254-5008-34	32	4 1/4" X 1/4" : #6-32 Tap (both ends)	254-5008-30
11 ‡	1 3/8" X 1/4" : #6-32 Tap (both ends)	254-5008-33	33	4 3/8" X 1/4" : #6-32 Tap (both ends)	254-5008-29
12	1 1/2" X 1/4" : #6-32 Tap (both ends)	254-5008-09	34	5 1/4" X 1/4" : #6-32 Tap (both ends)	254-5008-35
13 ‡	1 5/8" X 1/4" : #6-32 Tap (both ends)	254-5008-13	35	1 1/4" X 5/16" : #6-32 Tap (both ends)	254-5018-09
14	1 3/4" X 1/4" : #6-32 Tap (both ends)	254-5008-10	36	1 3/4" X 5/16" : #6-32 Tap (both ends)	254-5018-06
15 ‡	1 7/8" X 1/4" : #6-32 Tap (both ends)	254-5008-20	37	2" X 5/16" : #6-32 Tap (both ends)	254-5018-07
16	2" X 1/4" : #6-32 Tap (both ends)	254-5008-07	38	4" X 5/16" : #6-32 Tap (both ends)	254-5018-03
17	2 1/8" X 1/4" : #6-32 Tap (both ends)	254-5008-32	39	4 5/16" X 5/16" : #6-32 Tap (both ends)	254-5018-00
18	2 1/4" X 1/4" : #6-32 Tap (both ends)	254-5008-18	40	4.92" X 5/16" : #6-32 Tap (both ends)	254-5018-04

**NOT ALL PARTS LISTED ABOVE ARE USED ON THIS GAME (QUANTITIES PER GAME WILL DIFFER).
COMPARE ACTUAL PART ON GAME TO ABOVE DRAWINGS TO IDENTIFY THE PART NUMBER REQUIRED.**

Playfield Top - Plastic Posts & Spacers & Metal Spacers (Actual Size) †

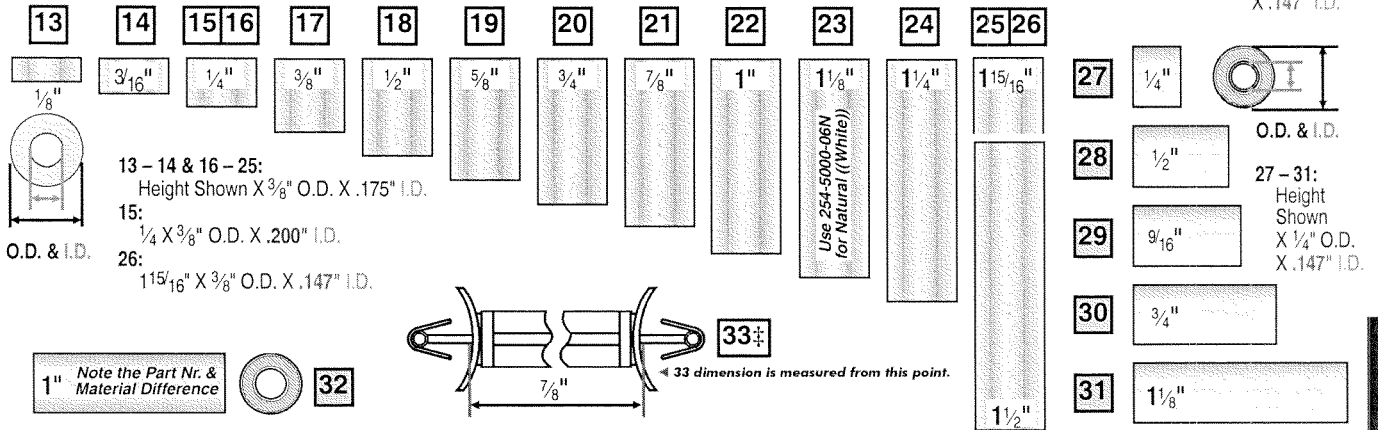
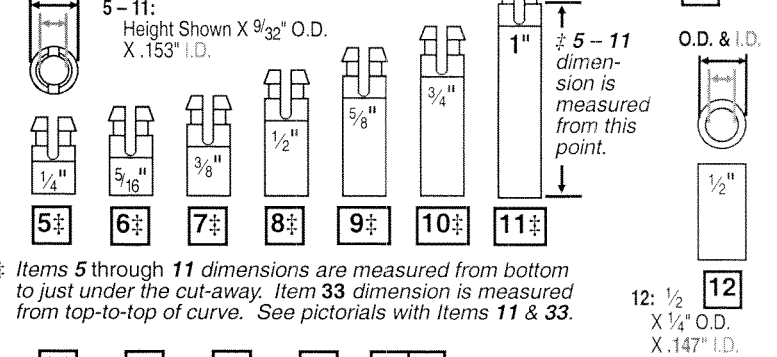


PLASTIC PART COLOR CHART

Nr.	Color	Nr.	Color	Nr.	Color
-00	Black	-06	Yellow	-12	Fluor. Blue
-01	Clear	-07	Orange	-13	Teal Green
-02	Red	-08	(White)	-14	(Gray)
-03	Amber	-09	Purple	-15	Luminescent
-04	Green	-10	Fluor. Org.	-16	Gold
-05	Blue	-11	Fluor. Green		

* Items 1 & 5 come in various colors. The "XX" (the last 2-Digits in the Part Number), should be replaced with the desired 2-Digit number from the above Color Chart (may not be available in every color; other colors used in prior games may no longer be available.) Call for availability.

O.D. & I.D.

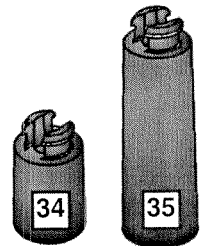


1" Note the Part Nr. & Material Difference

† 33 dimension is measured from this point.

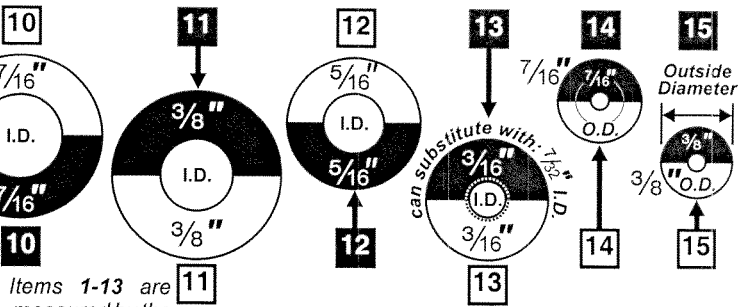
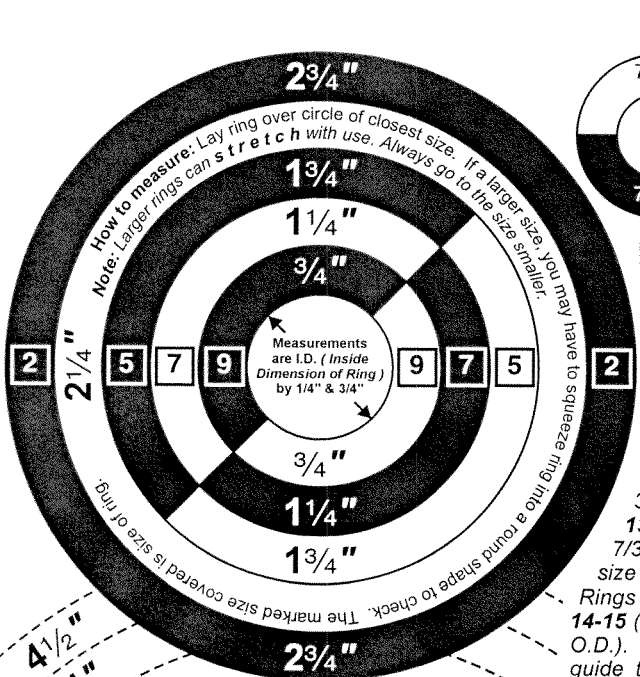
Nr.	PLASTIC POSTS & SPACERS	SPI PART Nr.	Nr.	PLASTIC POSTS & SPACERS	SPI PART Nr.
1**	Top Lane Plastic Mini-Lite Hood (XX-Color)	550-5061-XX	21	7/8" X 3/8" O.D. X .175" I.D. Pls. Spacer (Gray)	254-5000-11
2**	Mini-Jewel Plastic Post (XX-Color)	550-5052-XX	22	1" X 3/8" O.D. X .175" I.D. Pls. Spacer (Gray)	254-5000-04
3**	1 1/16" 1-Groove Plastic Post (XX-Color)	550-5059-XX	23	1 1/8" X 3/8" O.D. X .175" I.D. Pls. Spcr. (Gray)	254-5000-06
Item 3 Only : Use Part Number (550-5059-00) for color Black.					
4**	1-Groove Jewel Plastic Post (XX-Color)	550-5034-XX	24	1 1/4" X 3/8" O.D. X .175" I.D. Pls. Spcr. (Gray)	254-5000-05
Items 3 & 4 typically sec'd by: Post Fastening Scr. #6-32 Top / #6-32 Bot. (530-5012-02). Use Color Chart above for last 2-digits. Not all colors are available.					
Items 1-4 Note: Use Color Chart above for last 2-digits. Not all colors are available.					
5 †	1/4" Self Retain. Plastic Spacer (White)	254-5007-02	25	1 1/2" X 3/8" O.D. X .175" I.D. Pls. Spcr. (Gray)	254-5000-08
6 †	9/16" Self Retain. Plastic Spacer (White)	254-5007-05	26	1 5/16" X 3/8" O.D. X .147" I.D. Plastic Spacer (Gray)	254-5000-15
7 †	3/8" Self Retain. Plastic Spacer (White)	254-5007-01	Items 13-26 Only : Spacers may also be Black in color (random from vendor).		
8 †	1/2" Self Retain. Plastic Spacer (White)	254-5007-04	Not Shown and listed for reference only : 254-5000-10: 2 1/2" X 3/8" O.D. X .175" I.D. -13: 5/16" X 1/4" X .147", -16: 5/16" X 5/16" X .190", -17: 1 3/4" X 3/8" O.D. X .175" I.D.		
9 †	5/8" Self Retain. Plastic Spacer (White)	254-5007-00	27	1/4" X 5/16" O.D. X .144" I.D. Metal Spacer	254-5014-03
10 †	3/4" Self Retain. Plastic Spacer (White)	254-5007-03	28	1/2" X 5/16" O.D. X .144" I.D. Metal Spacer	254-5014-00
11 †	1" Self Retain. Plastic Spacer (White)	254-5007-06	29	9/16" X 5/16" O.D. X .144" I.D. Metal Spacer	254-5014-04
12	1/2" X 1/4" O.D. X .147" I.D. Pls. Spacer (White)	254-5000-03	30	3/4" X 5/16" O.D. X .144" I.D. Metal Spacer	254-5014-01
13	1/8" X 3/8" O.D. X .175" I.D. Pls. Spacer (Gray)	254-5000-19	31	1 1/8" X 5/16" O.D. X .144" I.D. Metal Spacer	254-5014-02
14	3/16" X 3/8" O.D. X .175" I.D. Pls. Spcr. (Gray)	254-5000-18	32	1" X 5/16" O.D. X .144" I.D. Metal Spacer	254-5001-00
15	1/4" X 3/8" O.D. X .200" I.D. Pls. Spcr. (Gray)	254-5000-02	33 †	7/8" Plastic Spacer Support (Dual-Locking)	254-5039-14
16	1/4" X 3/8" O.D. X .175" I.D. Pls. Spacer (Gray)	254-5000-09	34	Plastic Spacer, .5"	254-5054-00
17	3/8" X 3/8" O.D. X .175" I.D. Pls. Spacer (Gray)	254-5000-12	35	Plastic Mounting	254-5054-00
18	1/2" X 3/8" O.D. X .175" I.D. Pls. Spacer (Gray)	254-5000-01		Plastic Spacer, 1.13"	254-5054-01
19	5/8" X 3/8" O.D. X .175" I.D. Pls. Spacer (Gray)	254-5000-14		Plastic Mounting	254-5054-01
20	3/4" X 3/8" O.D. X .175" I.D. Pls. Spacer (Gray)	254-5000-07			

NOT ALL PARTS LISTED ABOVE ARE USED ON THIS GAME (QUANTITIES PER GAME WILL DIFFER). COMPARE ACTUAL PART ON GAME TO ABOVE DRAWINGS TO IDENTIFY THE P/N REQUIRED.

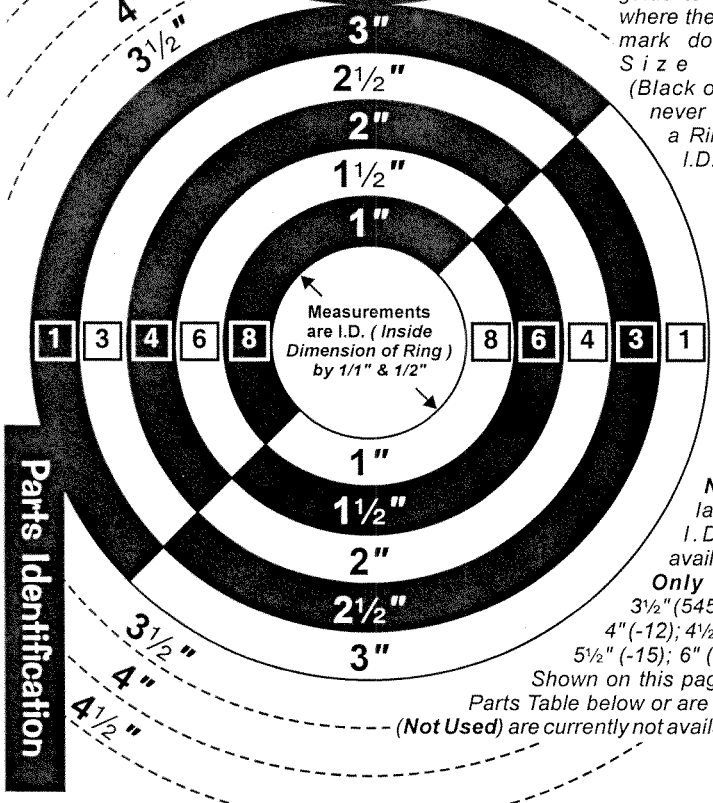


Parts Identification

Playfield - Rubber Parts Black, White & Blue (Rings Actual Size) †



Items 1-13 are measured by the Inside Diameter (I.D.). Items 1-9 and 11 are approximately 1/4" thick. Items 10, 12-15 are approximately 3/16" thick. Item 13 can also be a 7/32" I.D. Ring. The size is imprinted on all Rings except for Items 14-15 (7/16" O.D. & 3/8" O.D.). Use this page as a guide to measure rings where the size imprint or mark does not exist. Size 2 1/4" I.D. (Black or White) was never used. Choose a Ring Size +/- 1/4" I.D. if required.



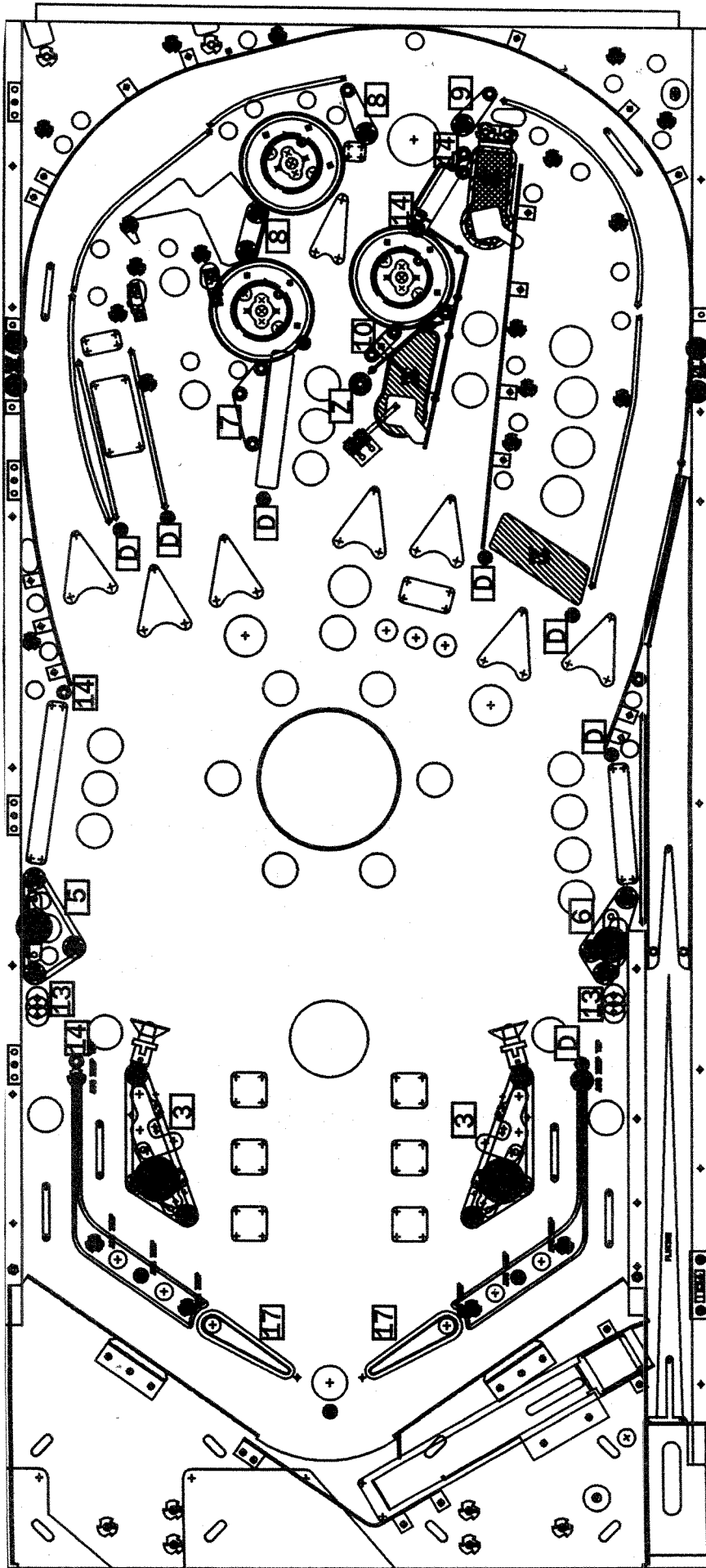
Nr.	RUBBER RINGS	QTY.	SPI PART Nr.
1	3" I.D. Rubber Ring BLACK		545-5348-10
	3" I.D. Rubber Ring WHITE		545-5348-60
2	2 3/4" I.D. Rubber Ring BLK		545-5348-20
		N/U	
3	2 1/2" I.D. Rubber Ring BLK	2	545-5348-09
	2 1/2" I.D. Rubber Ring WHT		545-5348-59
4	2" I.D. Rubber Ring BLACK		545-5348-08
	2" I.D. Rubber Ring WHITE		545-5348-58
5	1 3/4" I.D. Rubber Ring BLK	1	545-5348-21
	1 3/4" I.D. Rubber Ring WHT	N/U	545-5348-71
6	1 1/2" I.D. Rubber Ring BLK	1	545-5348-07
	1 1/2" I.D. Rubber Ring WHT		545-5348-57
7	1 1/4" I.D. Rubber Ring BLK	1	545-5348-06
	1 1/4" I.D. Rubber Ring WHT		545-5348-56
8	1" I.D. Rubber Ring BLACK	2	545-5348-05
	1" I.D. Rubber Ring WHITE		545-5348-55
9	3/4" I.D. Rubber Ring BLACK	1	545-5348-04
	3/4" I.D. Rubber Ring WHITE		545-5348-54
10	7/16" I.D. Rubber Ring BLK		545-5348-18
	7/16" I.D. Rubber Ring WHT		545-5348-68
11	3/8" I.D. Rubber Ring BLACK		545-5348-03
	3/8" I.D. Rubber Ring WHITE	N/U	545-5348-53
12	5/16" I.D. Rubber Ring BLK	1	545-5348-02
	5/16" I.D. Rubber Ring WHT		545-5348-52
13	3/16" I.D. Rubber Ring BLK	2	545-5348-01
	3/16" I.D. Rubber Ring WHT		545-5348-51
14	7/16" O.D. Rubber Ring BLK	58	545-5348-17
	7/16" O.D. Rubber Ring WHT		545-5348-67
	Note: Item 14, 7/16" O.D. Black Rings (Qty. 44 of 49) are used to cushion the Bayonet Sockets under the playfield (between bracket & playfield).		
15	3/8" O.D. Rubber Ring BLK		545-5348-19
	3/8" O.D. Rubber Ring WHT		545-5348-69
16	Small Flipper BLACK Ring (Soft Duro)		545-5207-00
	Small Flipper RED Ring (Soft Duro)		545-5207-22
	Large Flipper BLACK Ring (50 Duro)	2	545-5277-00
	Large Flipper YELLOW Ring (50 Duro) (use -06 40 Duro)		545-5277-04
17	Large Flipper WHITE Ring (50 Duro)		545-5277-08
	Large Flipper RED Ring (Soft Duro)		545-5277-22

Take Note:

For Blue Rubber Pads, see the next page and/or the Blue Pages for the assembly the pads are found on for the part number.

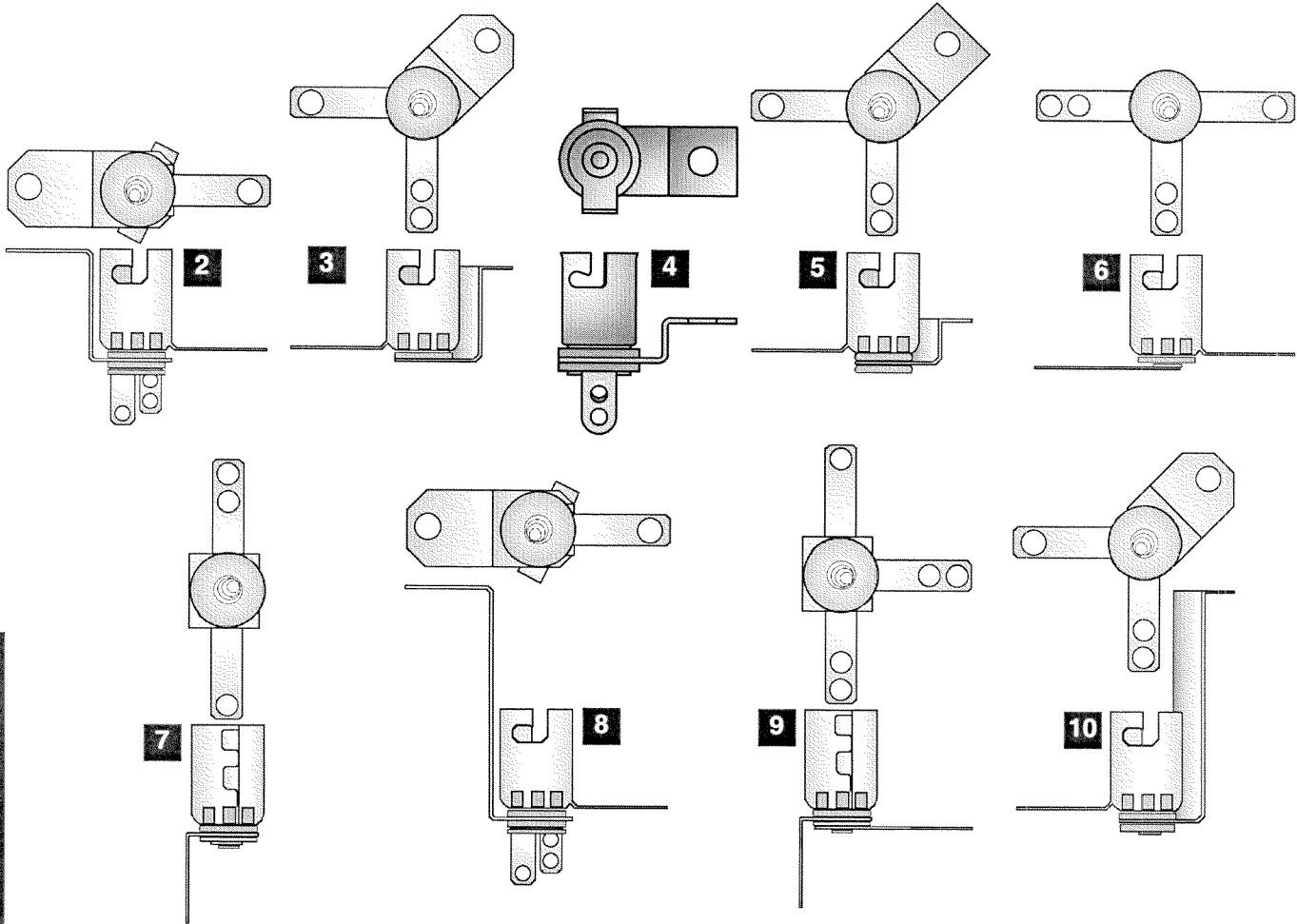
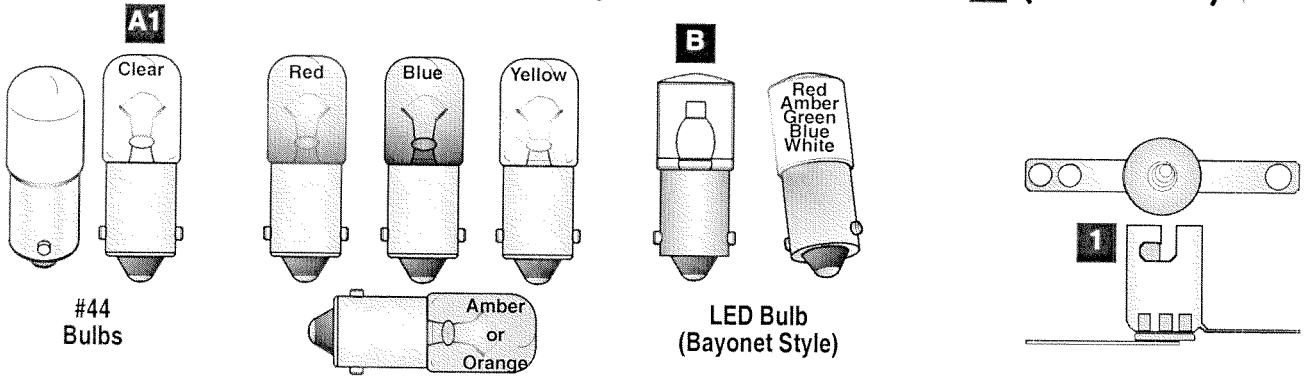
Nr.	RUBBER BUMPER PADS	QTY.	SPI PART Nr.
A*	Bumper BLK Pad (Lg. w/ grommet)	2	545-5428-00
	<i>Item A are located on Flipper Assemblies. See next page for location.</i>		
B*	Bumper BLK Pad (Sm. w/ grommet)	3	545-5105-00
	<i>Item B are located on multiple assemblies. See next page for location.</i>		

Nr.	RBR. BUMPER POST SLVS.	QTY.	SPI PART Nr.
D*	Bumper BLACK Post Sleeve (Tall)	10	545-5308-00
	<i>Item D in RED use 545-5308-22; Item D in WHITE use 545-5308-08.</i>		
E*	Bumper Post Sleeve (Short)	1	545-5151-00



Parts Identification

Playfield Top & Bottom - Small Bayonet Sockets & Bulbs ■ (Actual Size) †



Parts Identification

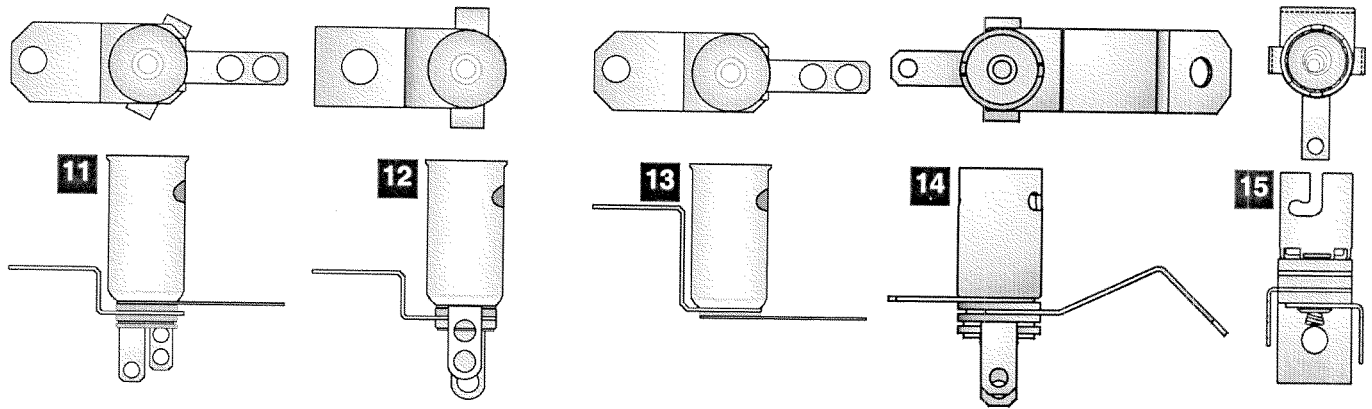
Nr.	BULBS (#44)	SPI PART Nr.	Nr.	BULBS (LED & #455)	SPI PART Nr.
A	#44 Bulb (Clear) <i>Heavy Filament</i>	165-5000-44-HF	B	LED Module (WHT) (12.8v 20-25mA) Bynt.	112-5023-08
	#44 Bulb (replace -XX w/color below)	165-5053-XX-HF	<i>Item B Note: Different Colors may be available -</i>		
<i>Item A Note: Amber (165-5053-03-HF); Green (165-5053-04-HF); Yellow (165-5053-06-HF); Red (165-5053-02-HF); Blue (165-5053-05-HF); Orange (165-5053-07-HF)</i>			<i>Red (112-5023-02); Amber (112-5023-03); Green (112-5023-04); Blue (112-5023-05);</i>		

Nr.	SMALL BAYONET SOCKETS	SPI PART Nr.	Nr.	SMALL BAYONET SOCKETS	SPI PART Nr.
1	2-Lug Staple Down Socket	077-5000-00	9	3-Lug Laydown Socket (3 Lugs Flat)	077-5006-00
2	3-Lug Stand-Up Socket (Med. Brkt.)	077-5008-00	10	2-Lug Stand-Up Socket (Tall Bracket)	077-5005-00
3	2-Lug Stand-Up Socket (Med. Brkt.)	077-5002-00	11	3-Lug Stand-Up Long Shell Socket	077-5013-00
4	2-Lug Stand-Up Socket (Short Brkt.)	077-5223-00	12	2-Lug Stand-Up Lg. Shell Socket (Gls)	077-5031-00
5	2-Lug Stand-Up Sckt. (Short Bracket)	077-5002-31	13	1-Lug S-U Lg. Shell Sckt. (Med. Brkt.)	077-5012-00
6	3-Lug Staple Down Socket	077-5001-00	14	3-Lug S-U Lg. Shell Sckt. (45° Brkt.)	077-5035-00
7	2-Lug Laydown Socket	077-5003-00	15	3-Lug Laydown Socket (2 Lugs Bent)	077-5032-00
8	3-Lug Stand-Up Socket (Tall Bracket)	077-5009-00			

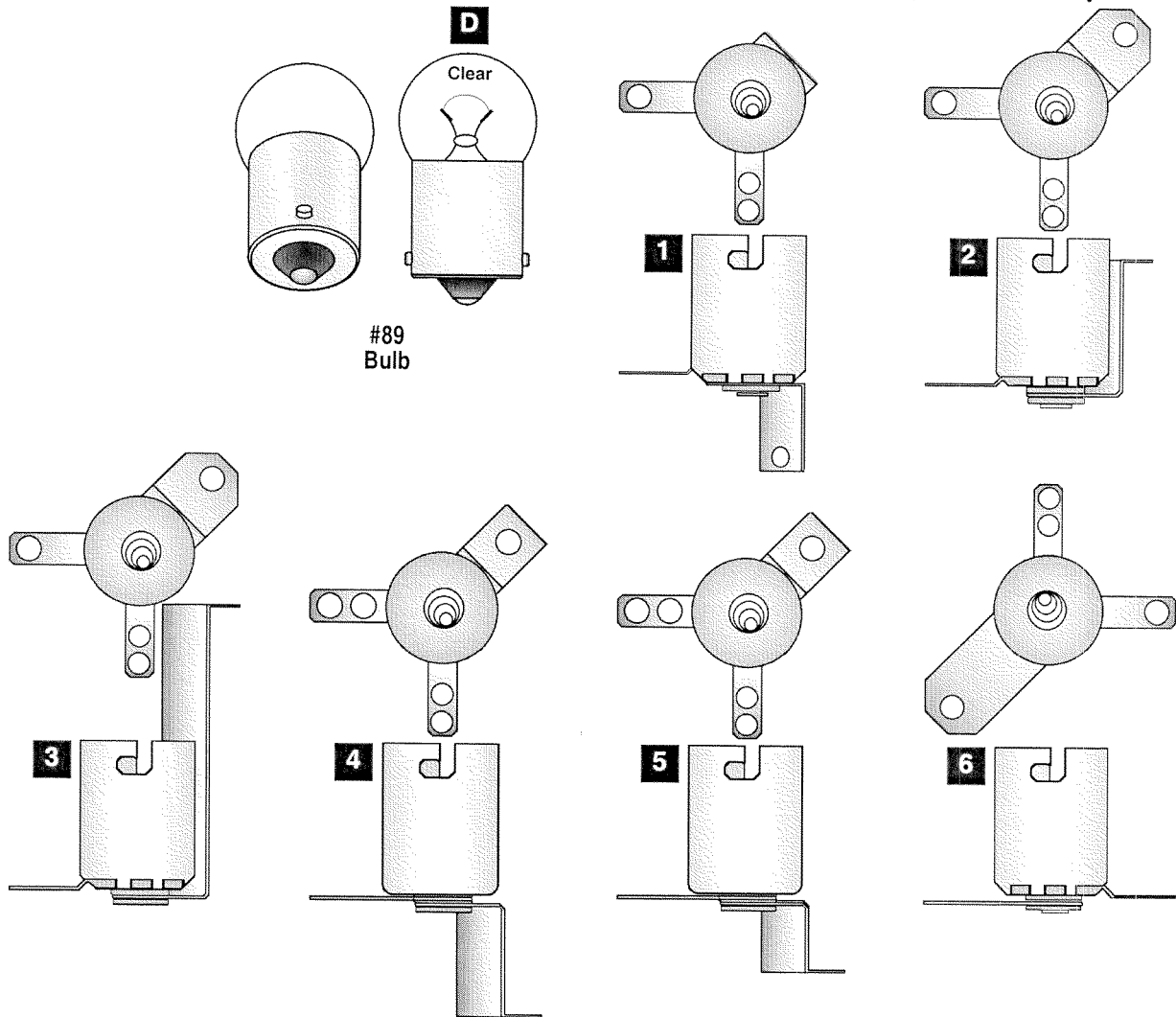
P14

NOT ALL PARTS LISTED ABOVE ARE USED ON THIS GAME (QUANTITIES PER GAME WILL DIFFER). COMPARE ACTUAL PART ON GAME TO ABOVE DRAWINGS TO IDENTIFY THE PART NUMBER REQUIRED.

Playfield Top & Bot. - Small Bayonet Sockets & Bulbs ■ (Actual Size) † Continued



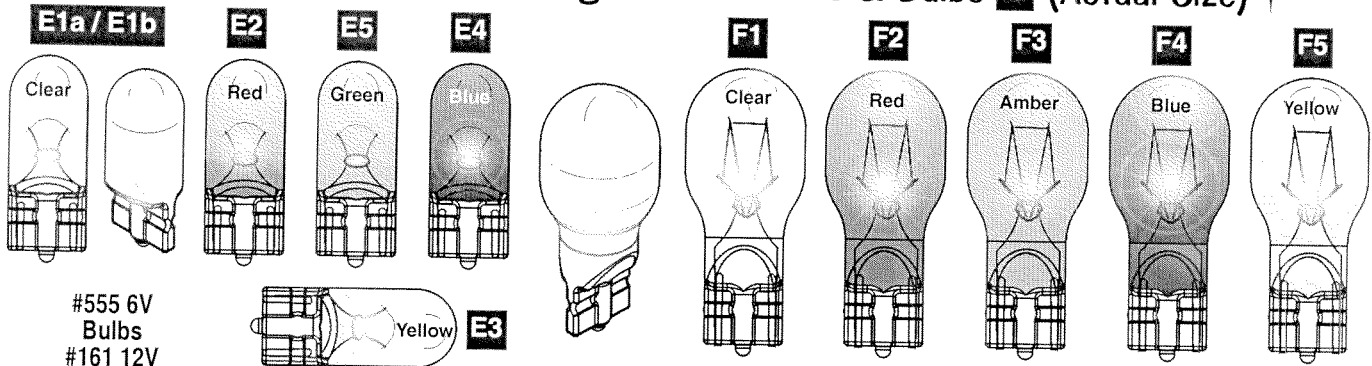
Playfield Bottom - Large Bayonet Sockets & Bulbs ■ (Actual Size) †



Nr.	BULBS (#89)	SPI PART Nr.	Nr.	LARGE BAYONET SOCKETS	SPI PART Nr.
D	#89 Bulb Heavy Filament	165-5000-89-HF	1	2-Lug Laydown Standard Socket	077-5100-00
			2	2-Lug Stand-Up Short Socket	077-5101-00
			3	2-Lug Stand-Up Long Socket	077-5102-00
			4	2-Lug Stand-Up Rev. Mount Socket	077-5103-00
			5	2-Lug Stand-Up Rv. Mnt. Short Socket	077-5106-00
			6	2-Lug Straight Leg Socket	077-5107-00

NOT ALL PARTS LISTED ABOVE ARE USED ON THIS GAME (QUANTITIES PER GAME WILL DIFFER).
COMPARE ACTUAL PART ON GAME TO ABOVE DRAWINGS TO IDENTIFY THE PART NUMBER REQUIRED.

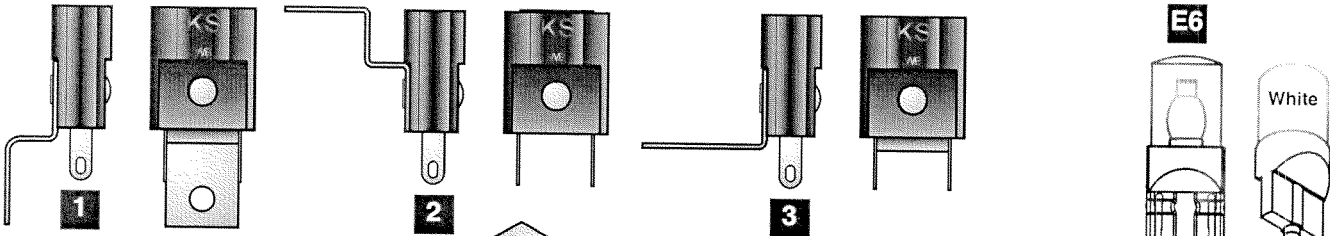
Playfield Top & Bottom - Wedge Base Sockets & Bulbs (Actual Size) †



#555 6V
Bulbs
#161 12V
Bulb

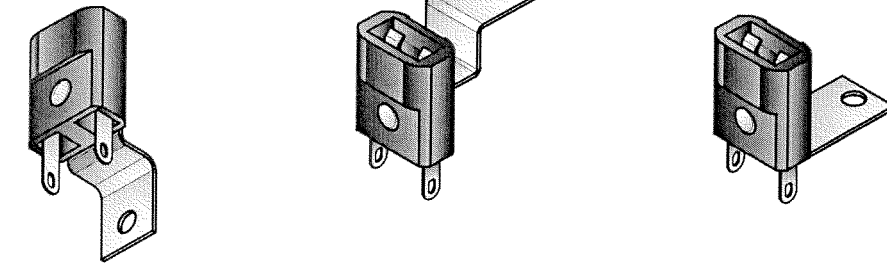
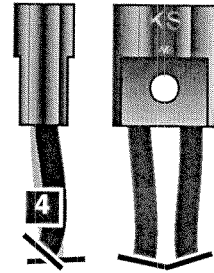
#906
Bulbs

Note: Always replace with same type bulb in original application.



LED Bulb
(Wedge Base)

Item 4 Socket does not require brackets. Old stock may include "L" style brackets (each side) do not secure to assembly. Black Wires (Qty. 2) are 12" each.

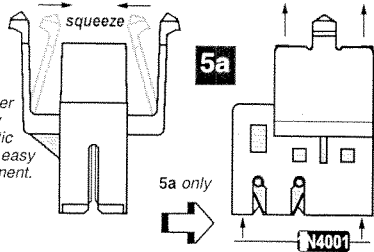


Item 5a or 5b sockets are secured to the playfield or assembly by Item 5c Plastic Bracket or may also be snapped into specially cut Clear and / or Screened Plastic Pieces or Metal Brackets (used for multiple mounting of sockets when positioned closely together or in tight areas). If Plastic Pieces or Metal Brackets are used to mount Item 5a or 5b Sockets, it will be noted on Playfield Bottom - Miscellaneous Parts and Brackets, page earlier in this Chapter.

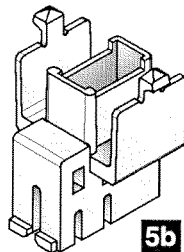
Item 5a is a solderless IDC (Insulation Displacement Connection) Socket with a built-in Diode, 1N4003 (112-5003-00) (can be replaced with 1N4001 Diode, 112-5001-00). Item 5b Socket (Yellow) is identical to 5a (Socket) except it does NOT REQUIRE a diode (Flash Lamp usage).

5/16"

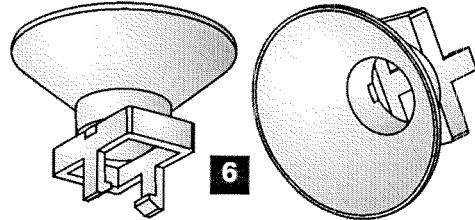
Just squeeze the "side arms" of the socket together and pull away from the plastic or bracket for easy Bulb replacement.



5a only



5b is Yellow with No Diode



6

Parts Identification

Nr.	BULBS (#555)	SPI PART Nr.	Nr.	BULBS (LED & #906)	SPI PART Nr.
E1a	#555 Wedge Base Bulb (Clear)	165-5002-00	E6	LED Module (WHT) (5v - 6.3v) Wedge Base	112-5024-08
E2-E5	#555 Wedge Base Bulb (Multi-Color)	165-5054-XX	Item E6 Bulb Note: Typically used with Item 4 Socket in Pop Bumpers.		
Item E2-E5 Bulb Note: Different Colors available (not used in this game) - Red (165-5054-02); Green (165-5054-04); Blue (165-5054-05); Yellow (165-5054-06);			F	#906 Wedge Base Bulb (Clear)	165-5004-00
E1b	#161 12V Wedge Base Bulb (Clear)	165-5032-00	Item F Note: Different Colors available (not used in this game) - Red (165-5004-02); Amber (165-5004-03); Blue (165-5004-05); Yellow (165-5004-06)		

Nr.	WEDGE BASE SOCKETS	SPI PART Nr.	Nr.	WEDGE BASE SOCKETS	SPI PART Nr.
1	Wedge Base Socket (Laydown)	077-5026-01	5a	IDC Snap-On Socket (Biege)	077-5216-00
2	Wedge Base Socket (Offset)	077-5029-00	5b	IDC Snap-On Socket No Diode (Yel.)	077-5216-01
3	Wedge Base Socket (Laydown GI)	077-5030-00	5c	5/16" Ht. Bracket (White)	545-5760-18
4	W.B. Socket (Bumpers/Special App.)	077-5206-00	6	Light Reflector (Silver Plst.) REF540N	545-5409-01

Note Item 6: Typically used with Item 1 (but will fit on any similar Wedge Base Socket).

NOT ALL PARTS LISTED ABOVE ARE USED ON THIS GAME (QUANTITIES PER GAME WILL DIFFER). COMPARE ACTUAL PART ON GAME TO ABOVE DRAWINGS TO IDENTIFY THE PART NUMBER REQUIRED.