

# operation & service manual



**DE** DATA EAST USA, INC.  
470 Needles Drive  
San Jose, CA 95112

780-0054-00  
January, 1987

**KARNOV**  
**OPERATION AND SERVICE MANUAL**  
UPRIGHT CABINET MODEL 1US28U

TABLE OF CONTENTS

|  |    |
|--|----|
| 1. GENERAL INFORMATION                   |    |
| a. Warnings and service information..... | 1  |
| b. Warranty information.....             | 2  |
| c. Inspecting the game.....              | 3  |
| d. Set up and installation.....          | 3  |
| 2. SPECIFIC INFORMATION                  |    |
| a. Game adjustments.....                 | 4  |
| b. Operator selectable options.....      | 5  |
| 3. REPLACEMENT PARTS BREAKDOWN.....      | 6  |
| 4. WIRING INFORMATION                    |    |
| a. Main harness wiring diagram.....      | 7  |
| b. Edge connector pin-outs.....          | 8  |
| 5. PCB SCHEMATICS.....                   | 10 |

© 1987 DATA EAST USA, INC.  
470 NEEDLES DR.  
SAN JOSE, CA. 95112  
(408) 286-7074

1st Printing  
January 1987

## 2. SPECIFIC INFORMATION

### A. Game Adjustments.

SOUND VOLUME: The sound volume level is adjustable by turning the potentiometer VR1 on the main logic pcb until the desired volume level is attained. Turn the potentiometer clockwise to increase the sound volume.

POWER SUPPLY: The switching regulator's +5 volt output is adjustable by turning the potentiometer VR1. This adjustment should only be performed while measuring the +5 volts with a DIGITAL MULTIMETER at the LOGIC PCB, not at the switching regulator!

**CAUTION: THIS PROCEDURE SHOULD ONLY BE ATTEMPTED BY QUALIFIED SERVICE PERSONNEL DUE TO THE EXTREME RISK OF PERSONAL INJURY AND/OR DAMAGE TO THE GAME ELECTRONICS.**

POWER SWITCH AND FUSE INFORMATION: The Power Supply assembly features an ON/OFF mounted on the switch bracket and accessible from the lower rear of the cabinet. This switch must be in the OFF position before servicing the game electronics to prevent unwanted electrical shock. There are also two fuses mounted next to the ON/OFF switch. They are labeled as to their required ratings. In the event replacement is required, replace only with fast blow devices.

- \* The 3 AMP FAST BLOW fuse is on the 117 VAC line. In the event that this fuse should blow, all power to the game will be removed. Check all harnessing for proper connections and look for obvious damage to monitor, power supply, and logic pcb set before replacing the fuse and applying power.
- \* The 1 AMP FAST BLOW fuse is on the +12 VDC line between the switching regulator and the coin door lamps. In the event that this fuse should blow, the lamps will not be illuminated. Check for damaged coin door wiring and/or defective coin door lamps.

B. Operator selectable options.

The Karnov game allows for operator adjustable pricing, bonus lives, difficulty, etc. These are accessed by the two 8 position dipswitches located on the main logic pcb. Tables 1 and 2 outline the available options.

TABLE 1 - DIPSWITCH 1

|                        |                  |  | 1   | 2   | 3   | 4   | 5 | 6   | 7   | 8   |
|------------------------|------------------|--|-----|-----|-----|-----|---|-----|-----|-----|
| GAME CHARGE<br>COIN 1  | 1 COIN=1 CREDIT: |  | OFF | OFF |     |     |   |     |     |     |
|                        | 1 COIN=2 CREDIT: |  | ON  | OFF |     |     |   |     |     |     |
|                        | 1 COIN=3 CREDIT: |  | OFF | ON  |     |     |   |     |     |     |
|                        | 2 COIN=1 CREDIT: |  | ON  | ON  |     |     |   |     |     |     |
| GAME CHARGE<br>COIN 2  | 1 COIN=1 CREDIT: |  |     |     | OFF | OFF |   |     |     |     |
|                        | 1 COIN=2 CREDIT: |  |     |     | ON  | OFF |   |     |     |     |
|                        | 1 COIN=3 CREDIT: |  |     |     | OFF | ON  |   |     |     |     |
|                        | 2 COIN=1 CREDIT: |  |     |     | ON  | ON  |   |     |     |     |
| NOT USED - MUST BE OFF |                  |  |     |     |     |     |   | OFF |     |     |
| FLIP SCREEN            | NO:              |  |     |     |     |     |   |     | OFF |     |
|                        | YES:             |  |     |     |     |     |   |     | ON  |     |
| CABINET STYLE          | TABLE:           |  |     |     |     |     |   |     |     | OFF |
|                        | UPRIGHT:         |  |     |     |     |     |   |     |     | ON  |
| NO DIE MODE            | NO:              |  |     |     |     |     |   |     |     | OFF |
|                        | YES:             |  |     |     |     |     |   |     |     | ON  |

TABLE 2 - DIPSWITCH 2

|                               |            |  | 1   | 2   | 3   | 4   | 5   | 6   | 7 | 8   |
|-------------------------------|------------|--|-----|-----|-----|-----|-----|-----|---|-----|
| NUMBER OF LIVES               | THREE:     |  | OFF | OFF |     |     |     |     |   |     |
|                               | FIVE:      |  | ON  | OFF |     |     |     |     |   |     |
|                               | ONE:       |  | OFF | ON  |     |     |     |     |   |     |
|                               | INFINITE:  |  | ON  | ON  |     |     |     |     |   |     |
| NUMBER OF K FOR<br>BONUS LIFE | 50:        |  |     |     | OFF | OFF |     |     |   |     |
|                               | 70:        |  |     |     | ON  | OFF |     |     |   |     |
|                               | 90:        |  |     |     | OFF | ON  |     |     |   |     |
|                               | 100:       |  |     |     | ON  | ON  |     |     |   |     |
| LEVEL OF<br>DIFFICULTY        | NORMAL:    |  |     |     |     |     | OFF | OFF |   |     |
|                               | EASY:      |  |     |     |     |     | ON  | OFF |   |     |
|                               | HARD:      |  |     |     |     |     | OFF | ON  |   |     |
|                               | VERY HARD: |  |     |     |     |     | ON  | ON  |   |     |
| ATTRACT MODE<br>SOUND         | YES:       |  |     |     |     |     |     |     |   | OFF |
|                               | NO:        |  |     |     |     |     |     |     |   | ON  |
| TIMER REDUCTION<br>SPEED      | NORMAL:    |  |     |     |     |     |     |     |   | OFF |
|                               | FAST:      |  |     |     |     |     |     |     |   | ON  |

#### 4. REPLACEMENT PARTS BREAKDOWN

##### FINAL ASSEMBLY, KARNOV U/R, 500-0020-00

| ITEM | PART NUMBER | DESCRIPTION                         |
|------|-------------|-------------------------------------|
| 1    | 365-0010-00 | CABINET, GREY                       |
| 2    | 510-0104-00 | CONTROL PANEL ASSY., KARNOV         |
| 3    | 510-0065-00 | MONITOR, UNIVERSAL, H/V.            |
| 4    | 510-0004-00 | COIN DOOR ASSY.                     |
| 5    | 510-0002-01 | POWER SUPPLY ASSY., 11 AMP          |
| 6    | 510-0102-00 | PCB SET, KARNOV                     |
| 7    | 520-0083-00 | PCB, EMI FILTER, DE-0239            |
| 8    | 170-0002-00 | DUAL LAMPHOLDER ASSY.               |
| 9    | 165-0004-01 | LAMP, INCANDESCENT, 40 W.           |
| 10   | 031-0004-00 | SPEAKER, 8 OHM, 8 WATT, 4" DIA.     |
| 11   | 535-0009-00 | RETAINER, PLEX                      |
| 12   | 830-0030-00 | PLEX, MARQUEE, KARNOV               |
| 13   | 660-0001-01 | PLEX, MONITOR, CLEAR, 23.75 X 23.75 |
| 14   | 810-0021-00 | UNDERLAY, MONITOR, KARNOV           |
| 15   | 380-0002-00 | BEZEL, MONITOR, BLACK               |
| 16   | 036-0116-00 | HARNESS, MAIN, STD 1P.              |
| 17   | 780-0054-00 | MANUAL, SERVICE & OPERATION         |
| 18   | 820-0036-00 | DECAL, SIDE, GEN.                   |
| 19   | 406-0047-00 | LABEL, INSTRUCTION                  |

##### CONTROL PANEL ASSEMBLY, KARNOV, 510-0104-00

| ITEM | PART NUMBER | DESCRIPTION                           |
|------|-------------|---------------------------------------|
| 1    | 535-0063-02 | CONTROL PANEL, BARE                   |
| 2    | 800-0026-00 | CONTROL PANEL OVERLAY, KARNOV         |
| 3    | 350-0016-04 | PUSHBUTTON ASSY, YELLOW               |
| 4    | 350-0016-02 | PUSHBUTTON ASSY, RED                  |
| 5    | 350-0016-06 | PUSHBUTTON ASSY, BLUE                 |
| 6    | 350-0016-09 | PUSHBUTTON ASSY, WHITE                |
| 7    | 450-0003-00 | JOYSTICK ASSY., 8 WAY, CC.            |
| 8    | 036-0115-03 | HARNESS, CONTROL PANEL, 1P/2P 3 SHOOT |

##### POWER SUPPLY ASSEMBLY, STANDARD, 510-0002-01

| ITEM | PART NUMBER | DESCRIPTION              |
|------|-------------|--------------------------|
| 1    | 515-0003-00 | CHASSIS, WOOD            |
| 2    | 515-0002-00 | POWER CORD               |
| 3    | 010-0001-00 | TRANSFORMER, ISOLATION   |
| 4    | 001-0012-00 | SWITCHING REGULATOR, 11A |
| 5    | 515-0004-00 | SWITCH BRACKET ASSY.     |
| 6    | 150-0004-00 | NOISE FILTER             |



**B. Edge connector pin-out.**

The Karnov pcb has a 56 pin JAMMA standard edge connector. Data East adds a suitable EMI filter pcb to make the game comply with FCC regulations and adapt to the Data East harness pin-out configuration.

The edge connector pin-out diagram below represents the JAMMA standard used on the actual game pcb, the one on page 9 is the Data East style harness pin-out used on the EMI filter pcb.

**JAMMA EDGE CONNECTOR PIN-OUT**

KARNOV PCB EDGE CONNECTOR, CN-3

| SOLDER SIDE         | PIN NUMBER | COMPONENT SIDE      |
|---------------------|------------|---------------------|
| GROUND              | A 1        | GROUND              |
| GROUND              | B 2        | GROUND              |
| + 5 VOLTS           | C 3        | + 5 VOLTS           |
| + 5 VOLTS           | D 4        | + 5 VOLTS           |
| - 5 VOLTS N/A       | E 5        | - 5 VOLTS N/A       |
| +12 VOLTS           | F 6        | +12 VOLTS           |
| BLOCKING KEY        | H 7        | BLOCKING KEY        |
| COIN COUNTER 2      | J 8        | COIN COUNTER 1      |
|                     | K 9        |                     |
| SPEAKER (-)         | L 10       | SPEAKER (+)         |
|                     | M 11       |                     |
| VIDEO GREEN         | N 12       | VIDEO RED           |
| VIDEO SYNC          | P 13       | VIDEO BLUE          |
| SERVICE SWITCH      | R 14       | VIDEO GROUND        |
|                     | S 15       |                     |
| COIN SWITCH 2       | T 16       | COIN SWITCH 1       |
| START SWITCH 2      | U 17       | START SWITCH 1      |
| 2P CONTROL 1 UP     | V 18       | 1P CONTROL 1 UP     |
| 2P CONTROL 2 DOWN   | W 19       | 1P CONTROL 2 DOWN   |
| 2P CONTROL 3 LEFT   | X 20       | 1P CONTROL 3 LEFT   |
| 2P CONTROL 4 RIGHT  | Y 21       | 1P CONTROL 4 RIGHT  |
| 2P CONTROL 5 PUSH 1 | Z 22       | 1P CONTROL 5 PUSH 1 |
| 2P CONTROL 6 PUSH 2 | a 23       | 1P CONTROL 6 PUSH 2 |
| 2P CONTROL 7 PUSH 3 | b 24       | 1P CONTROL 7 PUSH 3 |
|                     | c 25       |                     |
|                     | d 26       |                     |
| GROUND              | e 27       | GROUND              |
| GROUND              | f 28       | GROUND              |

## DATA EAST EDGE CONNECTOR PIN-OUT

EDGE CONNECTOR, EMI FILTER PCB: DE-0239-0

| SOLDER SIDE         | PIN NUMBERS |    | COMPONENT SIDE      |
|---------------------|-------------|----|---------------------|
| 2P CONTROL 2 DOWN   | A           | 1  | 1P CONTROL 2 DOWN   |
| 2P CONTROL 1 UP     | B           | 2  | 1P CONTROL 1 UP     |
| 2P CONTROL 3 LEFT   | C           | 3  | 1P CONTROL 3 LEFT   |
| 2P CONTROL 4 RIGHT  | D           | 4  | 1P CONTROL 4 RIGHT  |
| 2P CONTROL 7 PUSH 3 | E           | 5  | 1P CONTROL 7 PUSH 3 |
|                     | F           | 6  |                     |
|                     | H           | 7  |                     |
| TEST SWITCH         | J           | 8  | SERVICE SWITCH      |
| 2P CONTROL 5 PUSH 1 | K           | 9  | 1P CONTROL 5 PUSH 1 |
| 2P CONTROL 6 PUSH 2 | L           | 10 | 1P CONTROL 6 PUSH 2 |
| 2P START SWITCH     | M           | 11 | 1P START SWITCH     |
| COIN SWITCH 2       | N           | 12 | COIN SWITCH 1       |
| COIN COUNTER 2      | P           | 13 | COIN COUNTER 1      |
| VIDEO BLUE          | R           | 14 | VIDEO GREEN         |
| VIDEO SYNC          | S           | 15 | VIDEO RED           |
|                     | T           | 16 |                     |
| SPEAKER (-)         | U           | 17 | SPEAKER (+)         |
| - 5 VOLTS           | V           | 18 | + 12 VOLTS          |
| + 5 VOLTS           | W           | 19 | + 5 VOLTS           |
| + 5 VOLTS           | X           | 20 | + 5 VOLTS           |
| GROUND              | Y           | 21 | GROUND              |
| GROUND              | Z           | 22 | GROUND              |

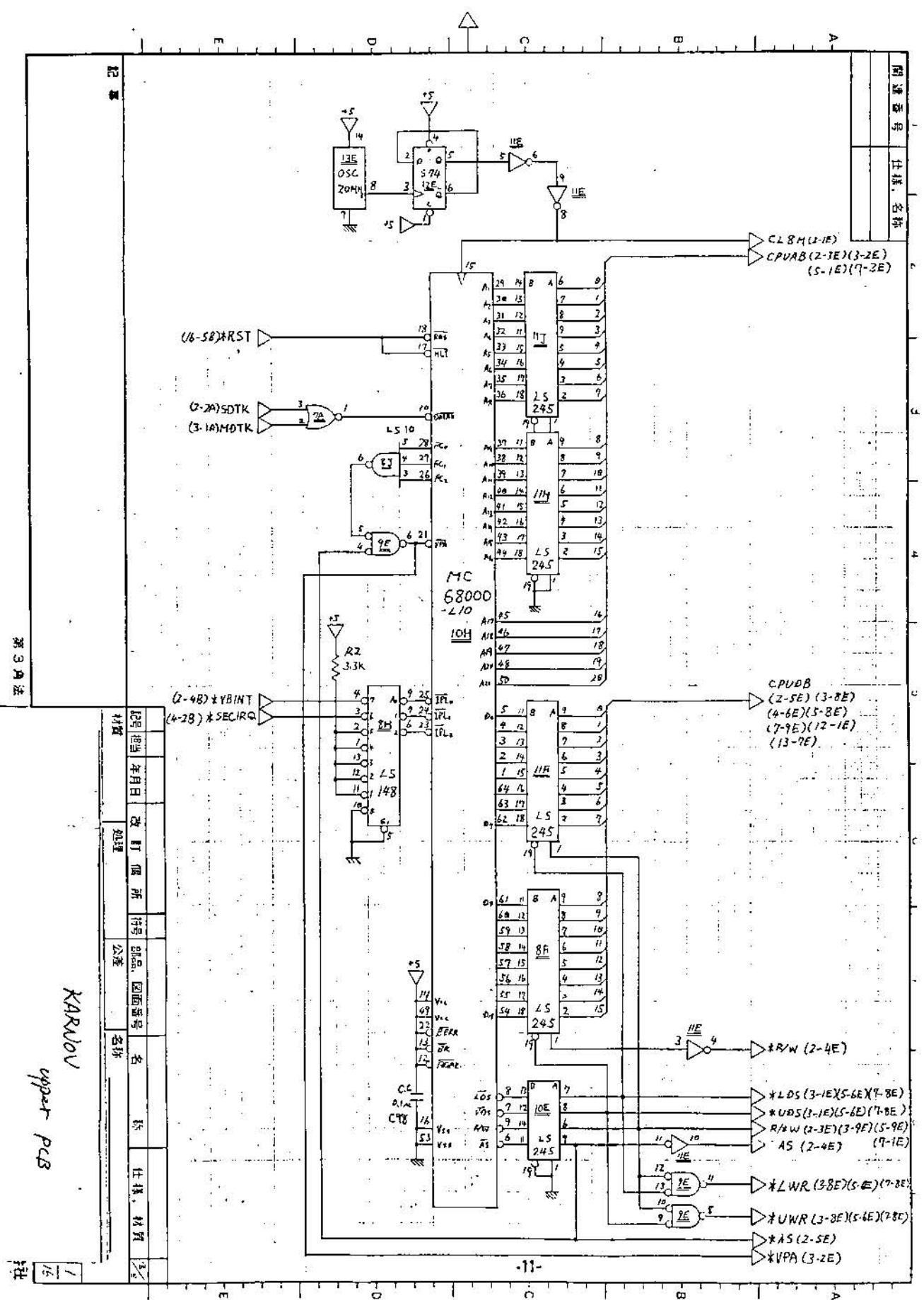


## 5. PCB SCHEMATICS

### WARNING:

DUE TO THE MULTI-LAYER PRINTED CIRCUIT BOARDS USED ON THIS GAME, DATA EAST RECOMMENDS SERVICE BE PERFORMED ONLY BY QUALIFIED TECHNICIANS WITH THE EQUIPMENT REQUIRED FOR THE SERVICING OF MULTI-LAYER PRINTED CIRCUIT BOARDS.

ATTEMPTS TO SERVICE MULTI-LAYER PRINTED CIRCUIT BOARDS USING CONVENTIONAL DE-SOLDERING EQUIPMENT MAY RESULT IN PERMANENT DAMAGE TO THE PRINTED TRACES AND VOID YOUR WARRANTY.



第3页法

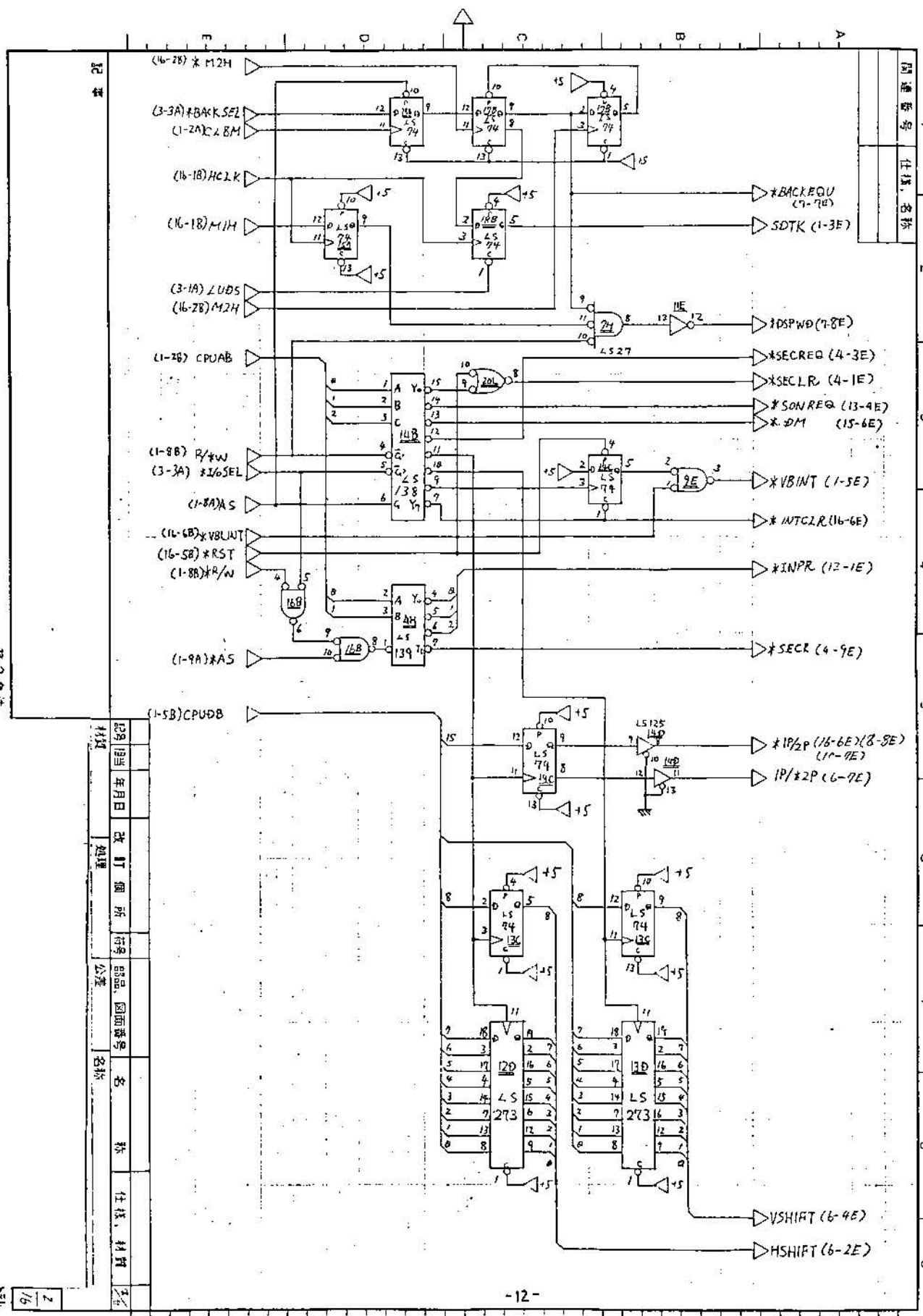
注意

|    |    |     |    |    |    |    |    |    |   |    |    |
|----|----|-----|----|----|----|----|----|----|---|----|----|
| 材料 | 日期 | 年月日 | 改訂 | 價所 | 符号 | 部品 | 圖面 | 番号 | 各 | 仕様 | 材質 |
|    |    |     |    |    |    |    |    |    |   |    |    |

KARNOV  
upper PCB

1/15

|      |      |
|------|------|
| 関連番号 | 仕様名称 |
|      |      |



|    |       |
|----|-------|
| 圖號 | 任務、名稱 |
|    |       |

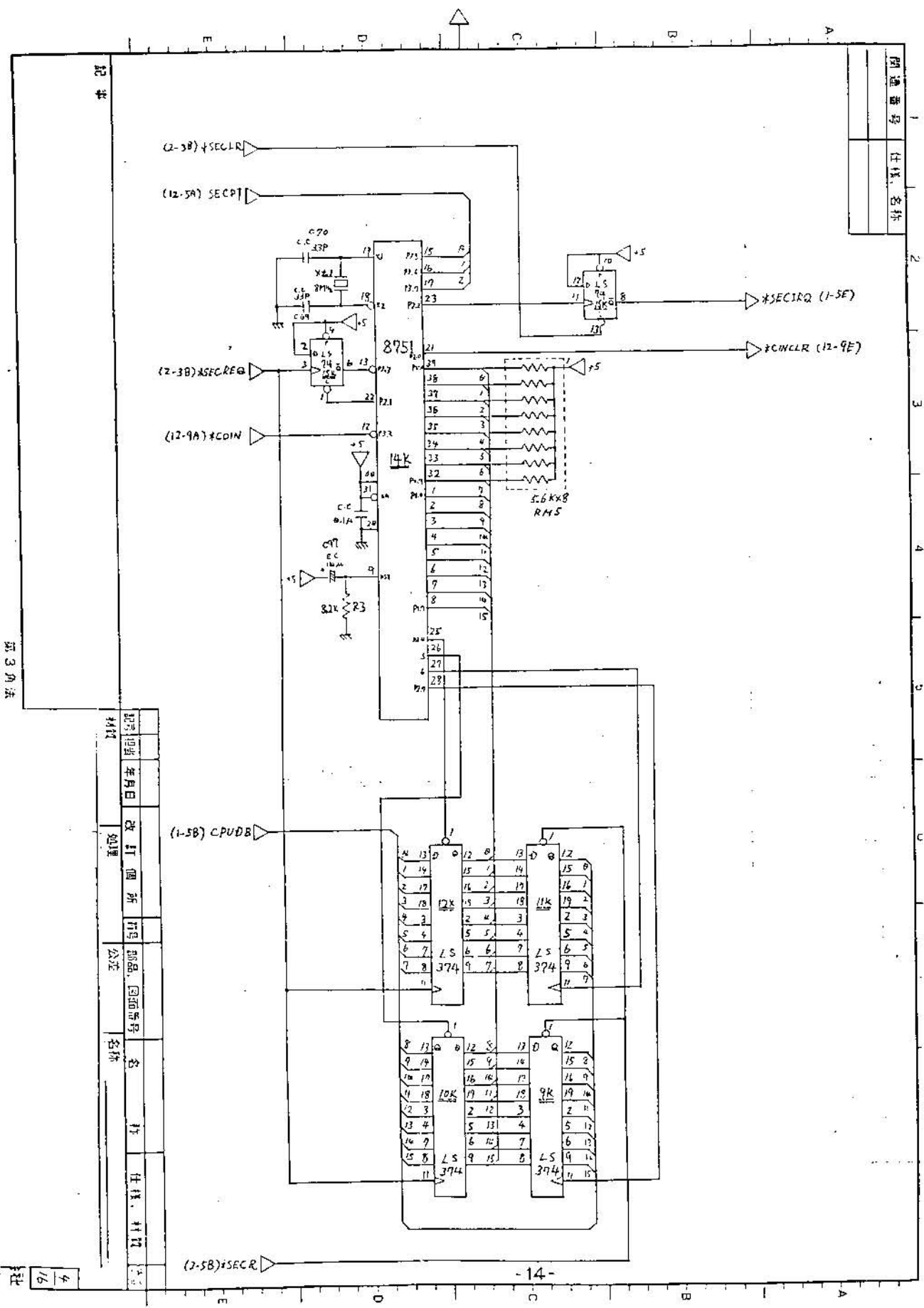
|    |   |   |   |    |    |    |    |    |    |   |   |     |    |
|----|---|---|---|----|----|----|----|----|----|---|---|-----|----|
| 日期 | 年 | 月 | 日 | 改訂 | 圖所 | 符號 | 部品 | 圖面 | 號碼 | 名 | 稱 | 任務、 | 材料 |
|    |   |   |   |    |    |    |    |    |    |   |   |     |    |

第 3 角注

2/16



|     |      |
|-----|------|
| 图通号 | 任务名称 |
|     |      |



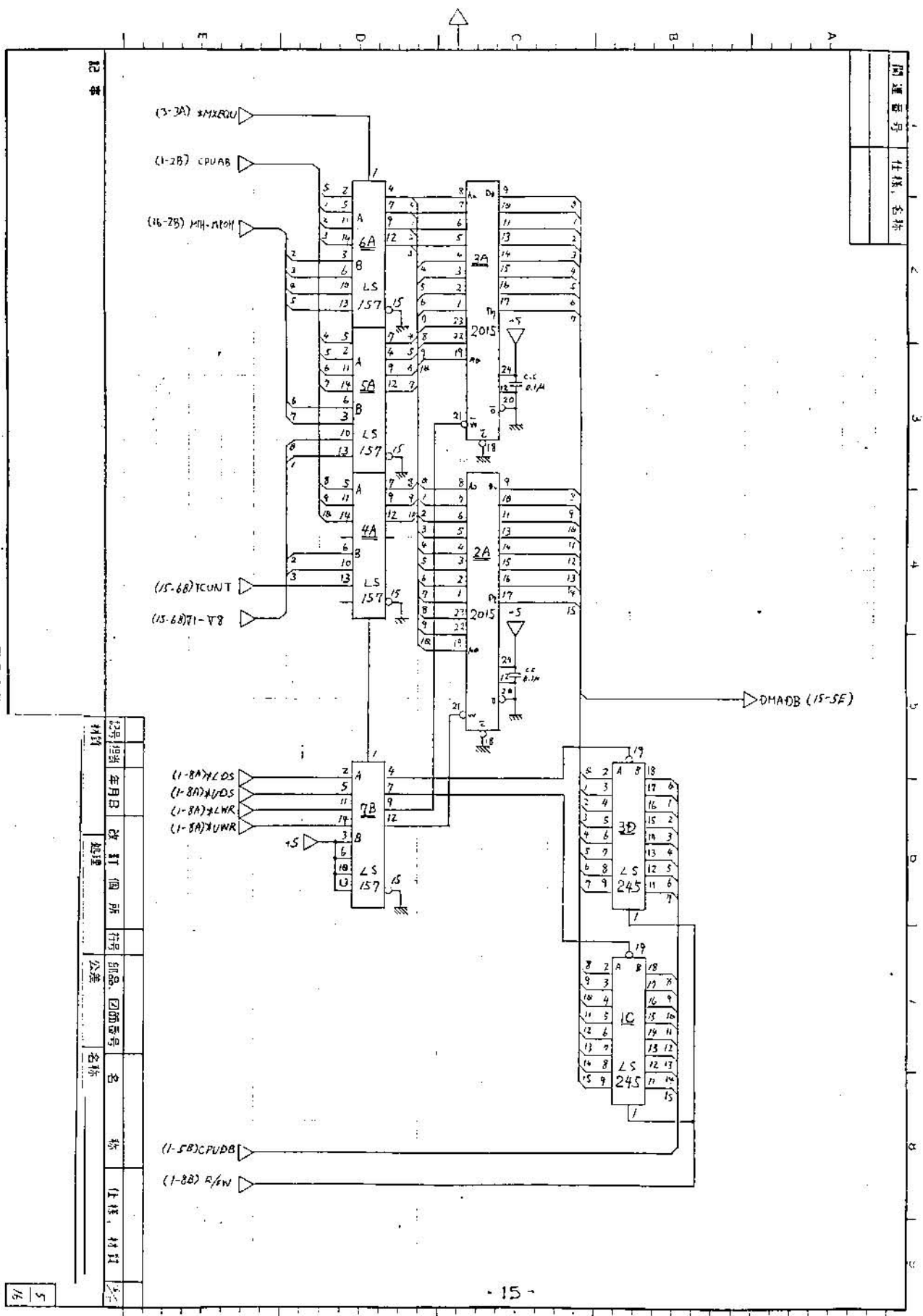
第3角法

记录

|    |    |     |    |    |    |    |     |    |   |
|----|----|-----|----|----|----|----|-----|----|---|
| 材料 | 日期 | 年月日 | 改打 | 图所 | 符号 | 部品 | 图通号 | 名称 | 社 |
|    |    |     |    |    |    |    |     |    |   |

社 4/16

|      |       |
|------|-------|
| 圖樣番號 | 任務、名稱 |
|      |       |



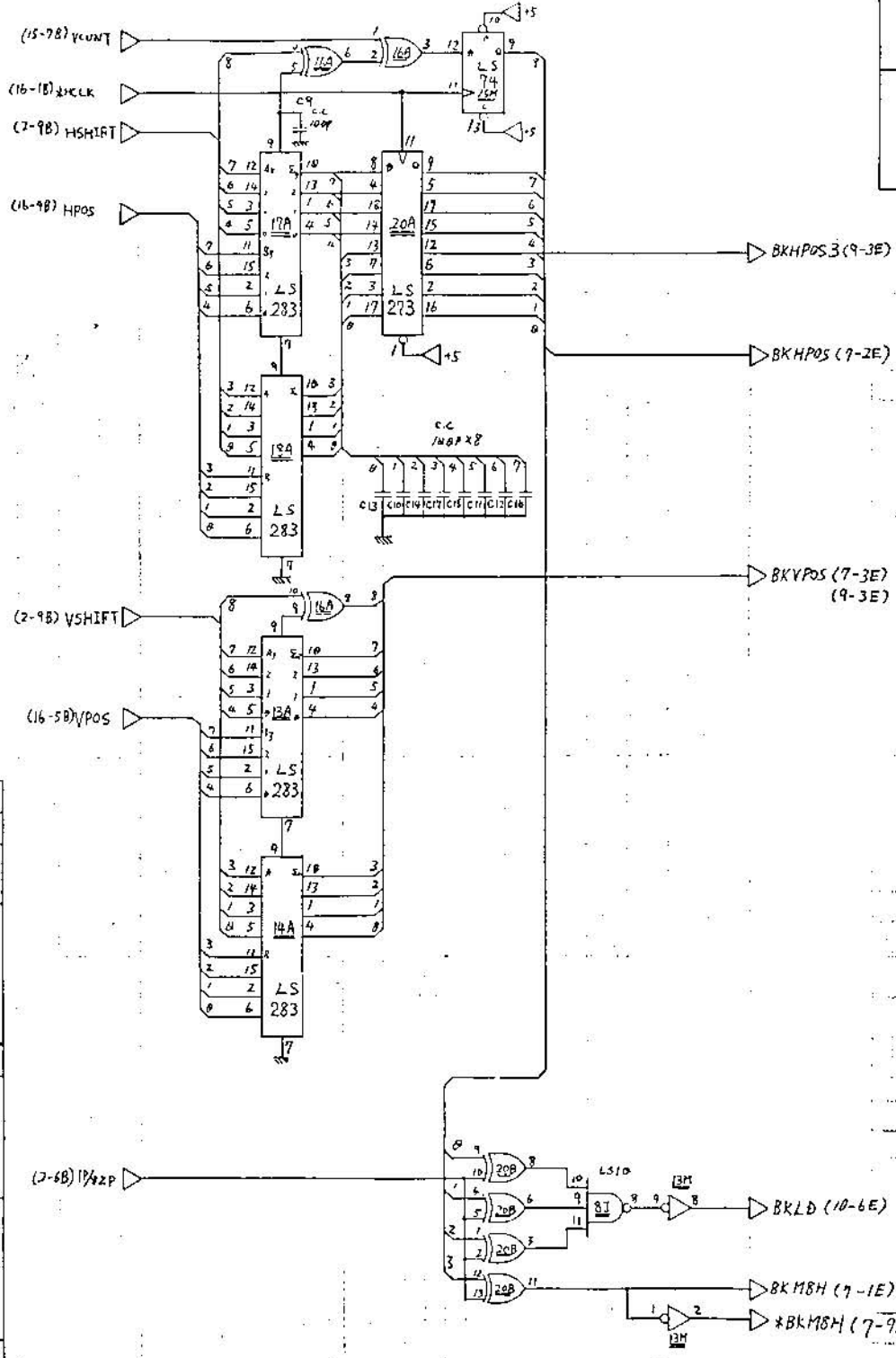
記事

第3列注

|    |      |    |         |   |       |
|----|------|----|---------|---|-------|
| 材料 | 改訂個所 | 行号 | 部品、図面番号 | 名 | 仕様、材料 |
| 数量 | 年月日  | 处理 | 公差      | 称 |       |

1/5

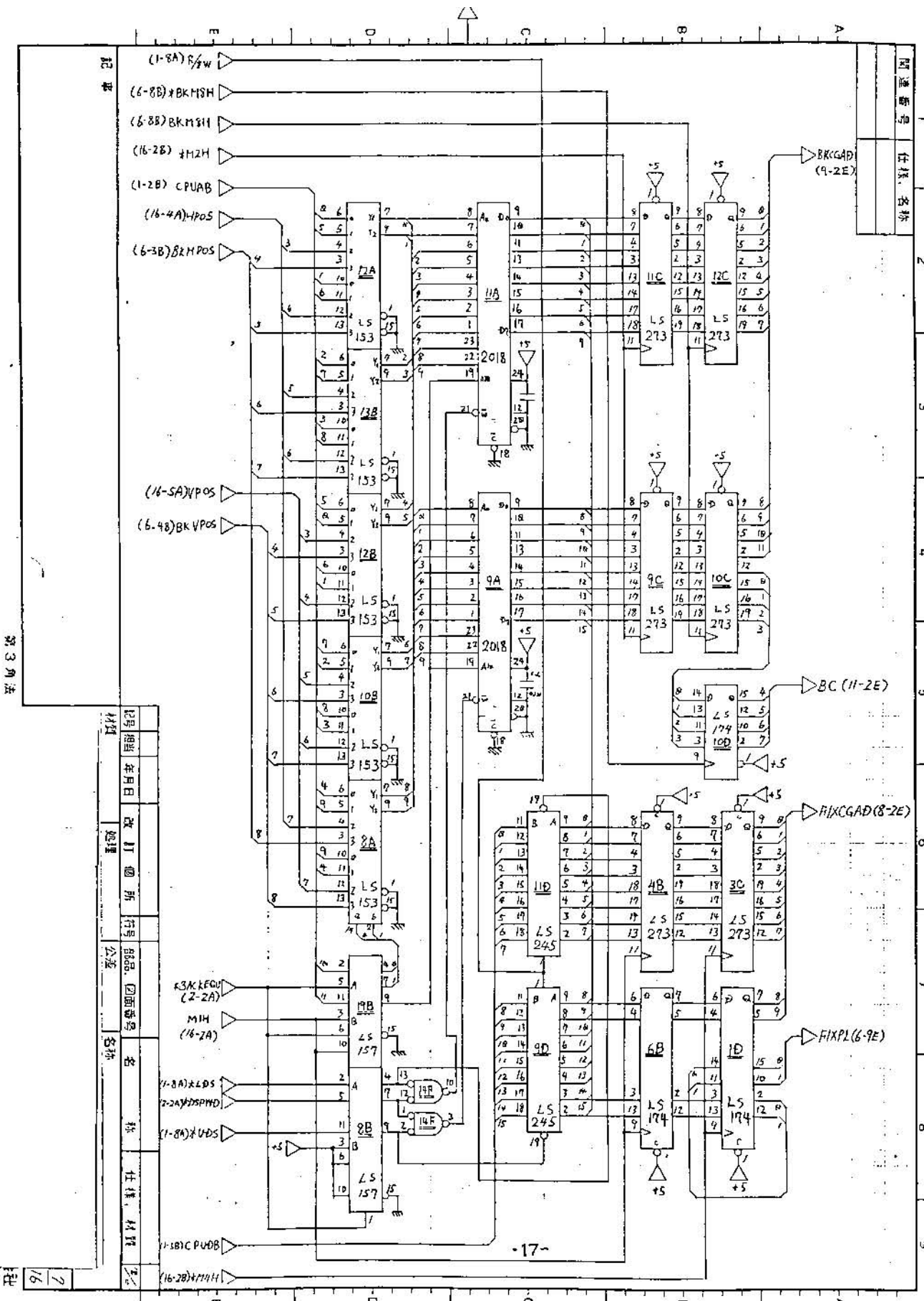
|      |      |
|------|------|
| 関連番号 | 仕様名称 |
|      |      |



記号

|    |    |    |     |    |    |    |    |     |    |    |    |    |
|----|----|----|-----|----|----|----|----|-----|----|----|----|----|
| 材料 | 記号 | 年度 | 年月日 | 改訂 | 個所 | 行号 | 品名 | 团番号 | 名称 | 仕様 | 材料 | 寸法 |
|    |    |    |     |    |    |    |    |     |    |    |    |    |

第3办法



記号

- (1-8A) R/W
- (6-8B) BKMSH
- (6-8B) BKMSH
- (16-2B) M2H
- (1-2B) CPUAB
- (16-4A) MPOS
- (6-3B) BRMPOS
- (16-5A) VPOS
- (6-4B) BKVPOS
- R3K LFCU (2-2A)
- M1H (16-7A)
- (7-8A) LADS
- (2-2A) M2SPMD
- (1-8A) UADS
- (16-8C) PUDB
- (16-2B) M1H1

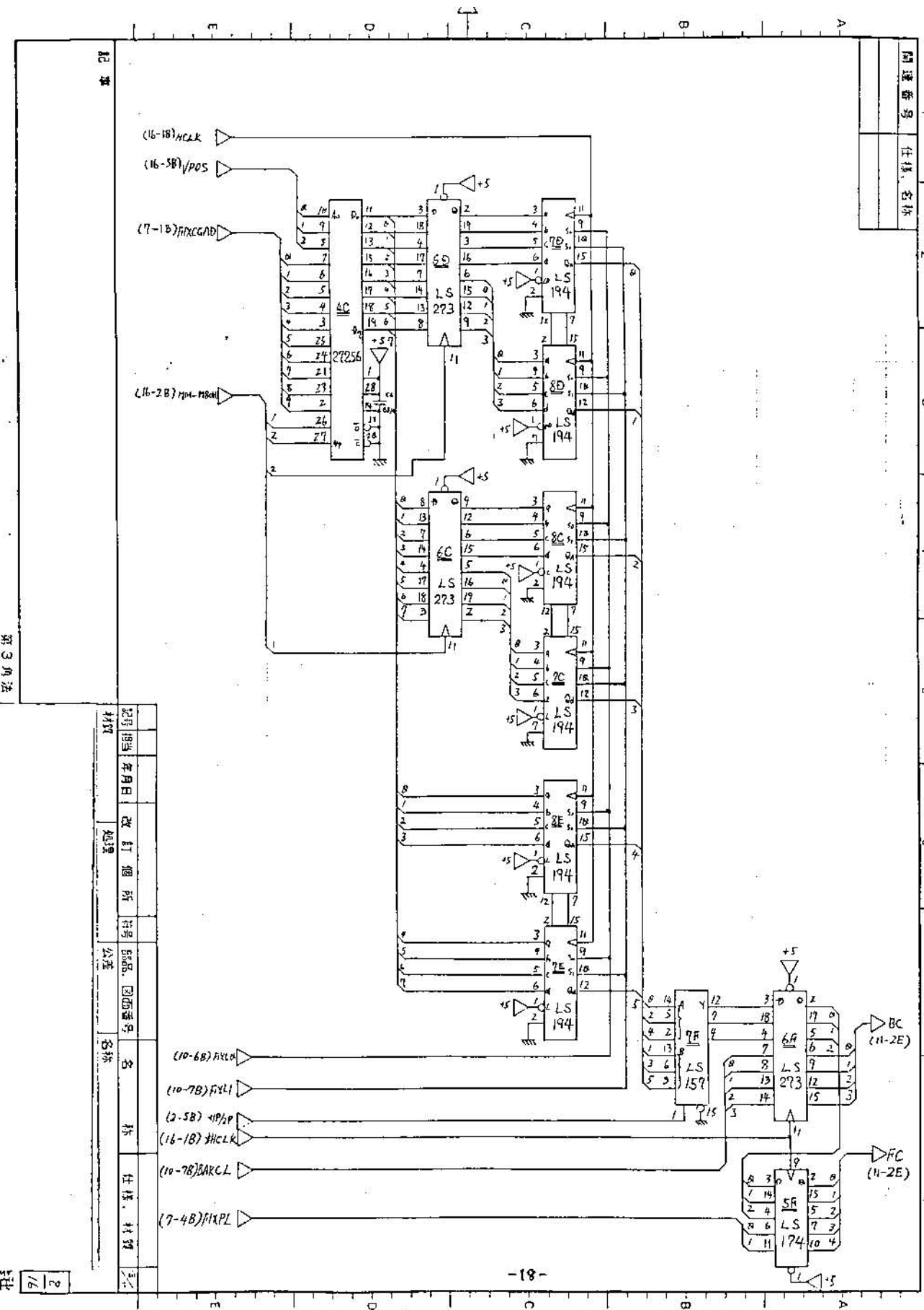
|      |      |
|------|------|
| 回路番号 | 仕様名称 |
|      |      |

第3角法

|    |    |    |     |      |    |    |      |    |    |    |
|----|----|----|-----|------|----|----|------|----|----|----|
| 材料 | 记号 | 规格 | 年月日 | 改訂箇所 | 行号 | 部品 | 図面番号 | 名称 | 仕様 | 材料 |
|    |    |    |     |      |    |    |      |    |    |    |



|      |      |
|------|------|
| 開通番号 | 任務名称 |
|------|------|

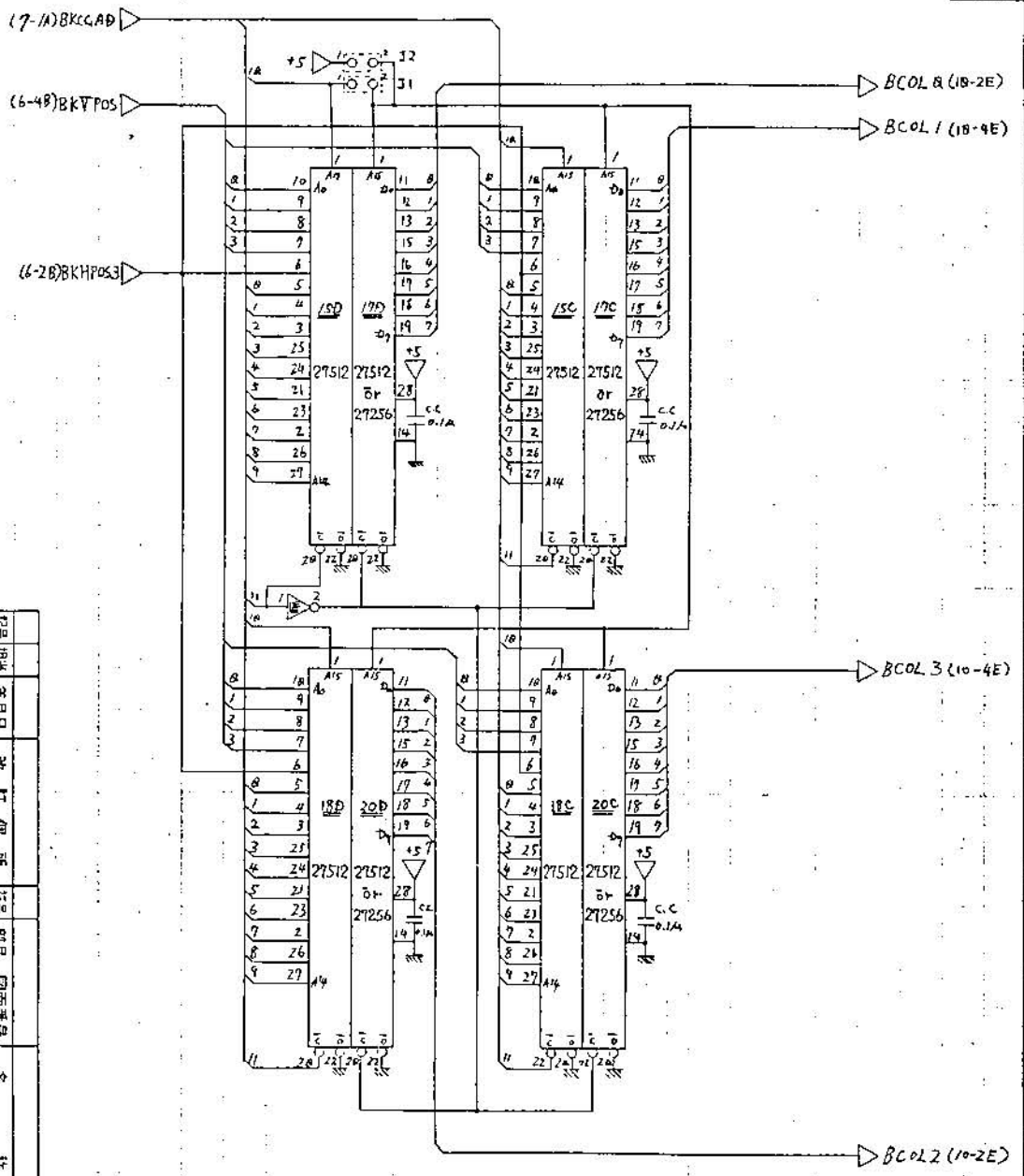


記 事

第 3 頁 法

|      |     |      |    |         |    |       |    |
|------|-----|------|----|---------|----|-------|----|
| 記号相当 | 年月日 | 改訂箇所 | 符号 | 部品、図面番号 | 名称 | 仕様、材質 | 公差 |
| 材質   |     | 処理   |    |         |    |       |    |

|      |       |
|------|-------|
| 管理番号 | 仕様、名称 |
|      |       |

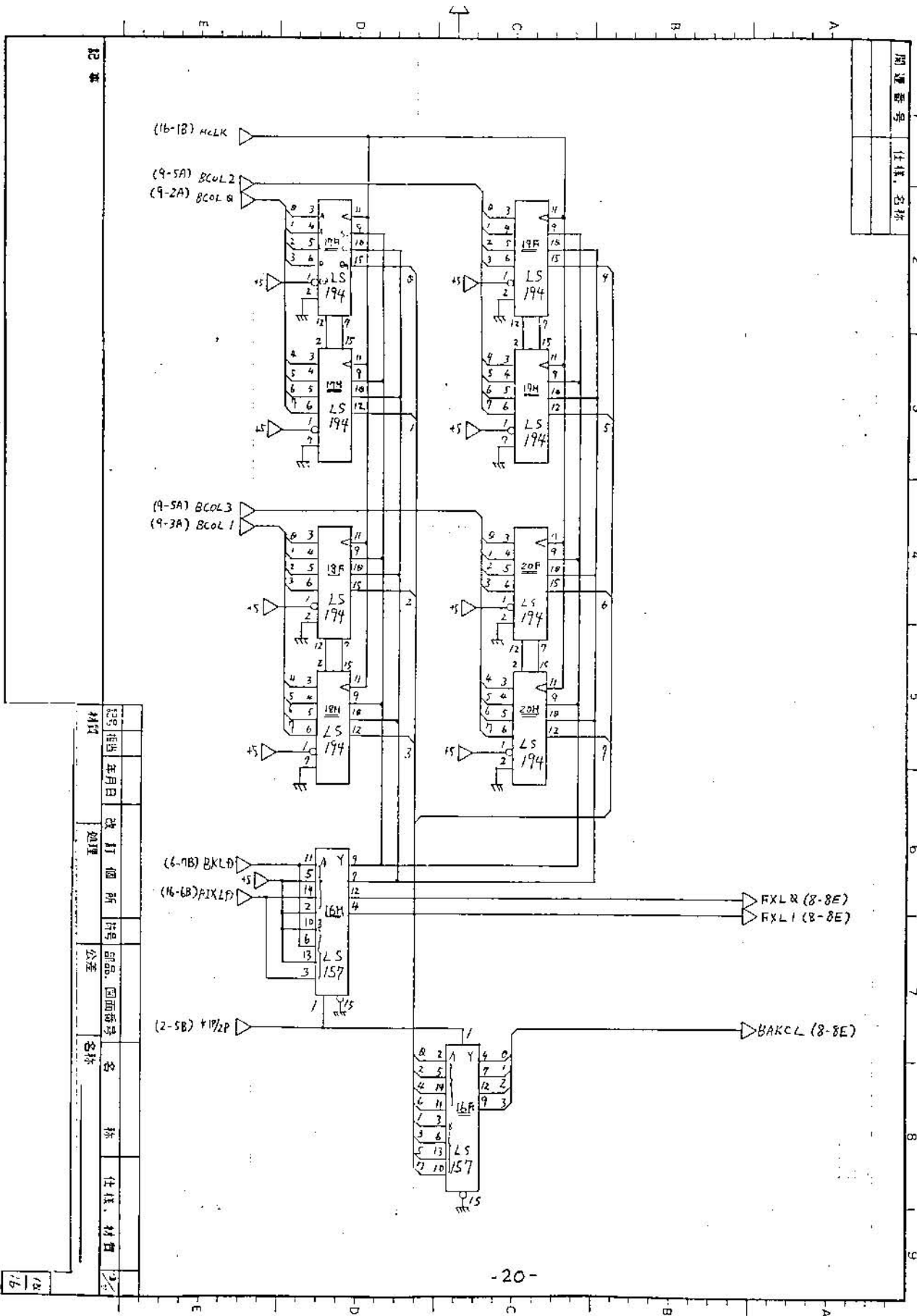


記事

第3角法

|      |     |      |    |         |    |       |
|------|-----|------|----|---------|----|-------|
| 記号担当 | 年月日 | 改訂箇所 | 仕号 | 部品、図面番号 | 名称 | 仕様、材質 |
| 材質   |     | 処理   | 公差 |         |    |       |

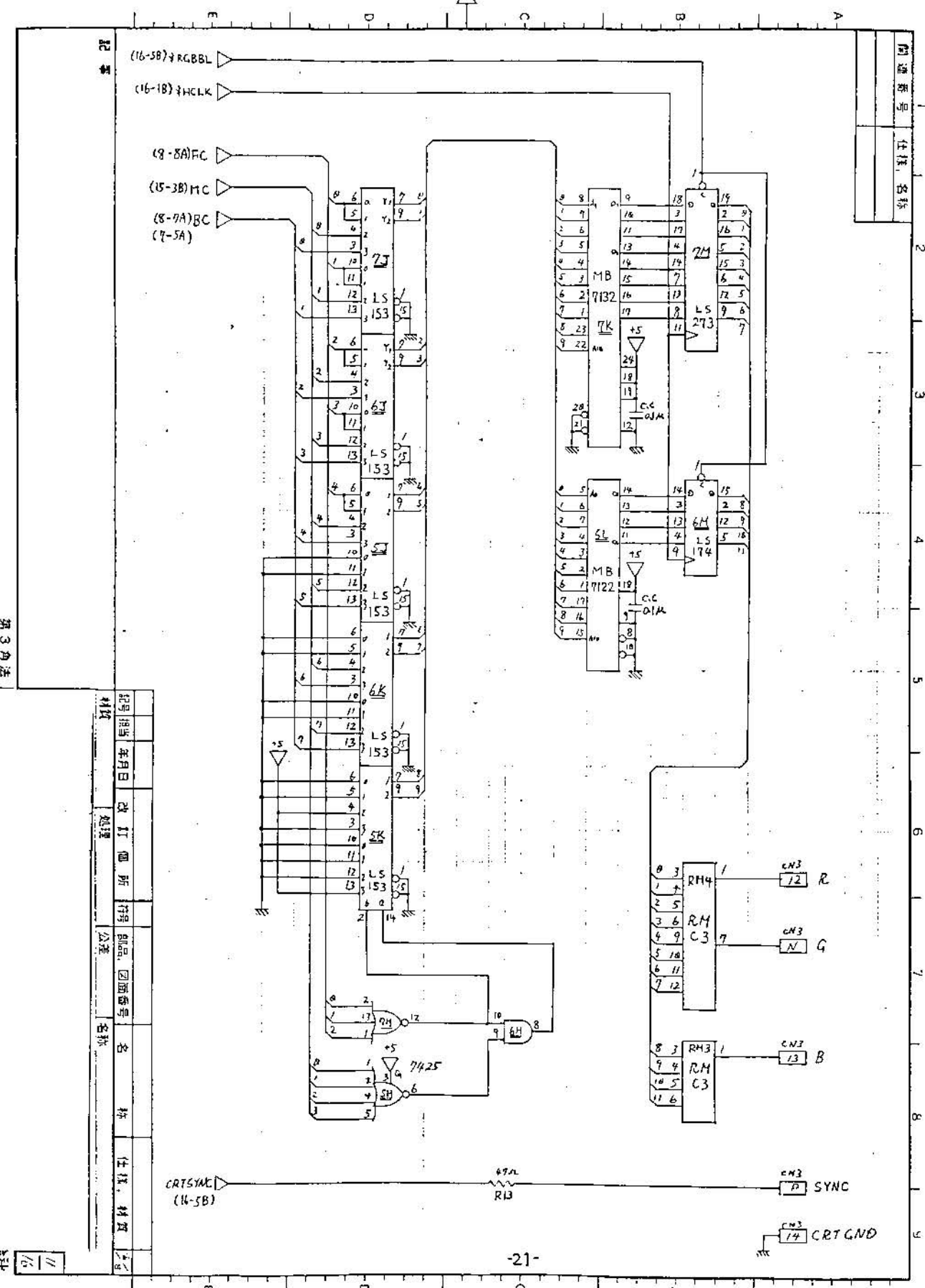
|    |      |
|----|------|
| 圖號 | 任務名稱 |
|----|------|



記號

第3角法

|    |     |    |    |      |
|----|-----|----|----|------|
| 日期 | 年月日 | 處理 | 姓名 | 任務名稱 |
| 材料 |     |    |    |      |
| 零件 |     |    |    |      |
| 圖面 |     |    |    |      |
| 圖號 |     |    |    |      |
| 圖名 |     |    |    |      |
| 圖號 |     |    |    |      |
| 圖名 |     |    |    |      |
| 圖號 |     |    |    |      |
| 圖名 |     |    |    |      |



|      |      |
|------|------|
| 图例符号 | 任务名称 |
|------|------|

|    |      |     |      |    |    |      |    |    |    |
|----|------|-----|------|----|----|------|----|----|----|
| 材料 | 记录日期 | 年月日 | 设计单位 | 符号 | 产品 | 图面番号 | 名称 | 任务 | 材料 |
|    |      |     |      |    |    |      |    |    |    |

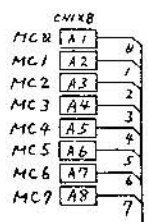
第3角法



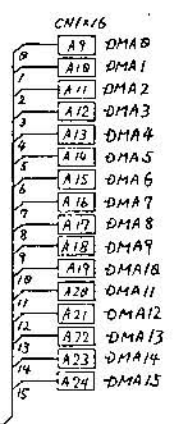




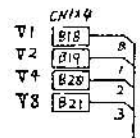
|    |     |
|----|-----|
| 图号 | 1   |
| 名称 | 任务书 |



MC (11-2E)

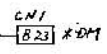


(5-5B) DMA DB



V1-V8 (5-5E)

(2-3B) \*DM1



VCUNT B25

VCUNT (5-7E)(6-1E)

记录

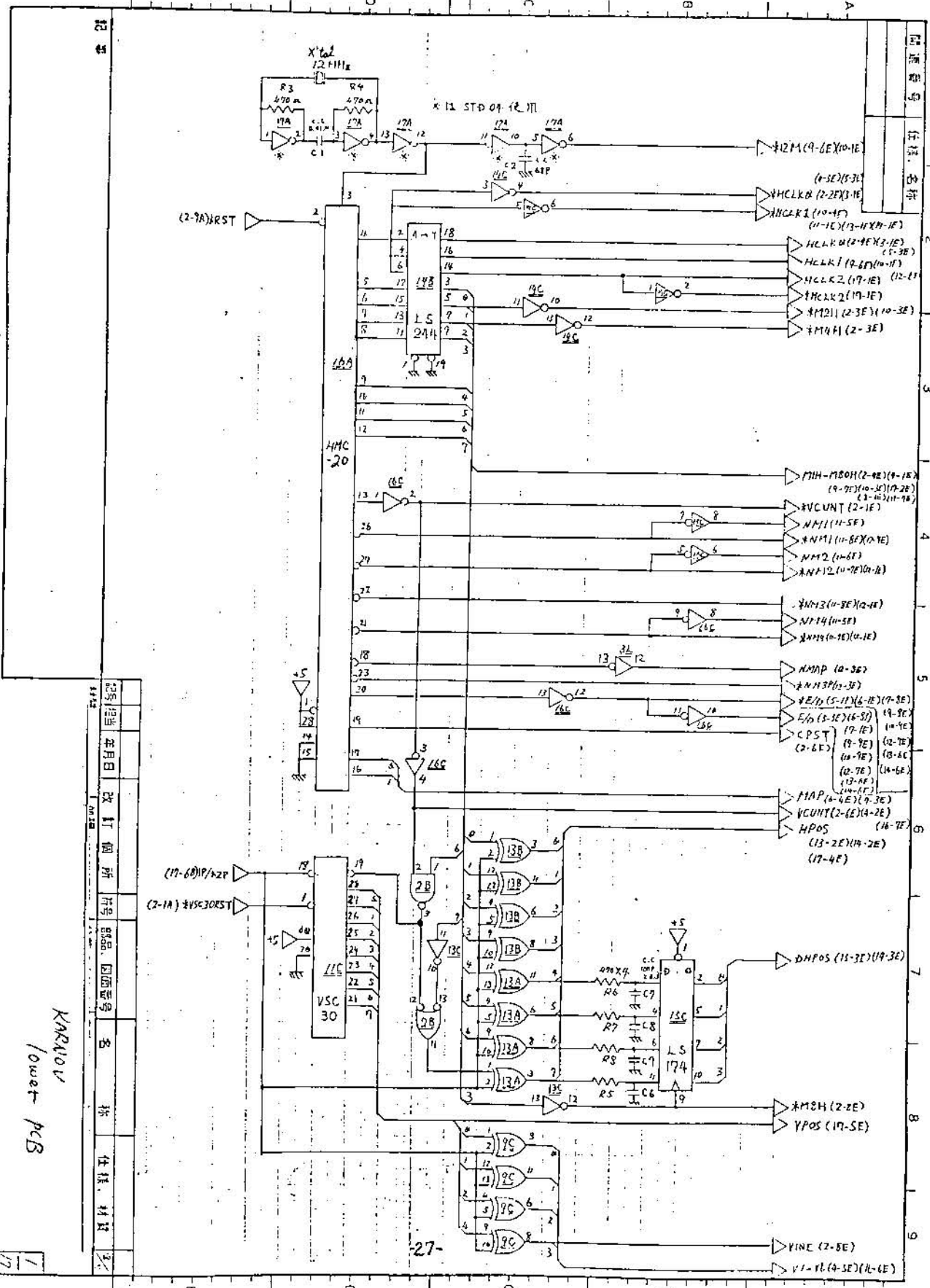
|      |     |    |    |    |    |    |    |    |    |    |
|------|-----|----|----|----|----|----|----|----|----|----|
| 记录日期 | 年月日 | 更改 | 原因 | 所注 | 品名 | 图号 | 名称 | 任务 | 材料 | 备注 |
|      |     |    |    |    |    |    |    |    |    |    |

第3页

15/16





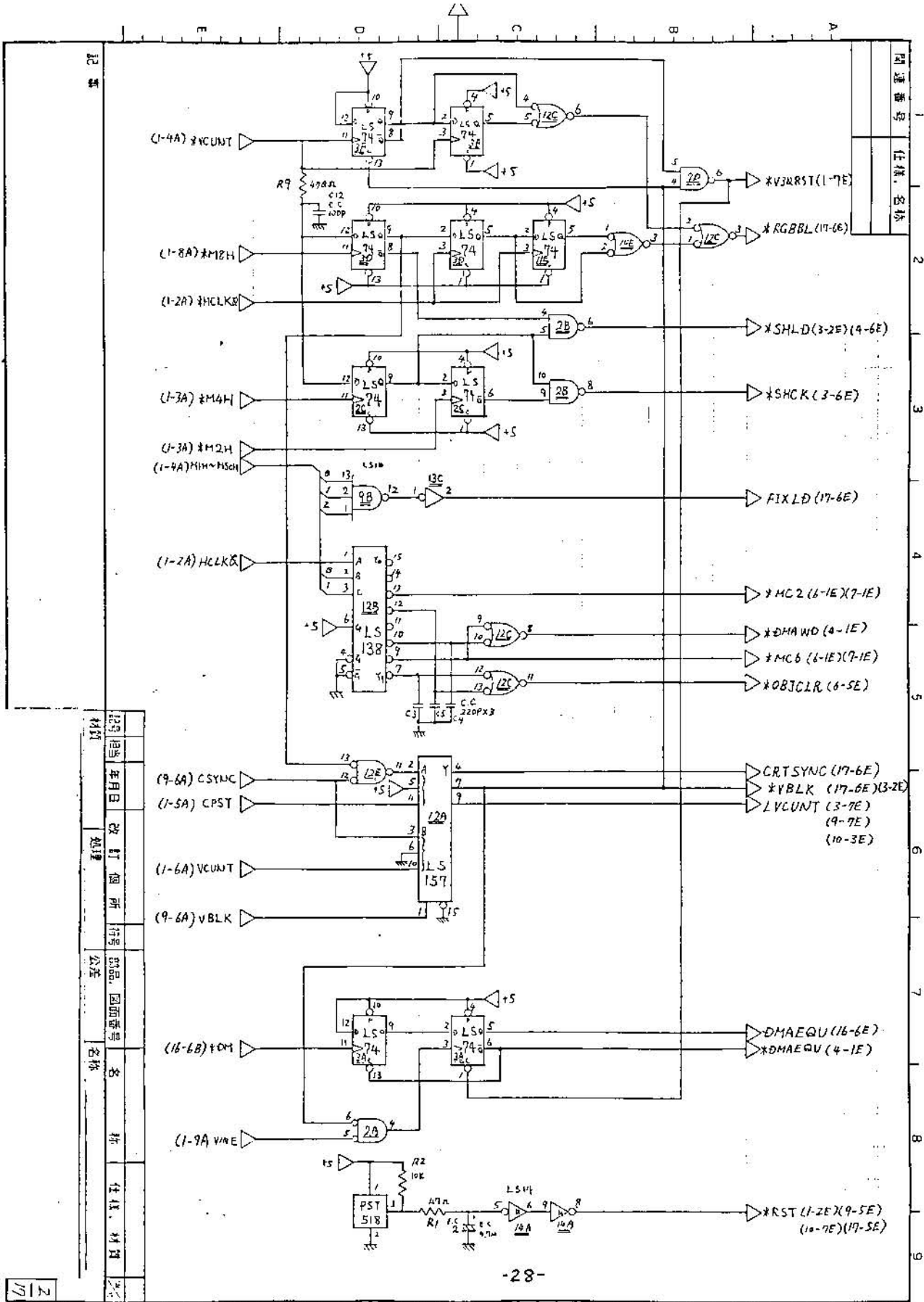


KARUOV  
lower PCB

|    |    |    |    |    |    |    |    |    |    |    |    |    |    |    |    |    |    |    |    |    |    |    |    |    |    |    |    |    |    |    |    |    |    |    |    |    |    |    |    |    |    |    |    |    |    |    |    |    |    |    |    |    |    |    |    |    |    |    |    |    |    |    |    |    |    |    |    |    |    |    |    |    |    |    |     |
|----|----|----|----|----|----|----|----|----|----|----|----|----|----|----|----|----|----|----|----|----|----|----|----|----|----|----|----|----|----|----|----|----|----|----|----|----|----|----|----|----|----|----|----|----|----|----|----|----|----|----|----|----|----|----|----|----|----|----|----|----|----|----|----|----|----|----|----|----|----|----|----|----|----|----|-----|
| 25 | 26 | 27 | 28 | 29 | 30 | 31 | 32 | 33 | 34 | 35 | 36 | 37 | 38 | 39 | 40 | 41 | 42 | 43 | 44 | 45 | 46 | 47 | 48 | 49 | 50 | 51 | 52 | 53 | 54 | 55 | 56 | 57 | 58 | 59 | 60 | 61 | 62 | 63 | 64 | 65 | 66 | 67 | 68 | 69 | 70 | 71 | 72 | 73 | 74 | 75 | 76 | 77 | 78 | 79 | 80 | 81 | 82 | 83 | 84 | 85 | 86 | 87 | 88 | 89 | 90 | 91 | 92 | 93 | 94 | 95 | 96 | 97 | 98 | 99 | 100 |
|----|----|----|----|----|----|----|----|----|----|----|----|----|----|----|----|----|----|----|----|----|----|----|----|----|----|----|----|----|----|----|----|----|----|----|----|----|----|----|----|----|----|----|----|----|----|----|----|----|----|----|----|----|----|----|----|----|----|----|----|----|----|----|----|----|----|----|----|----|----|----|----|----|----|----|-----|

1/17

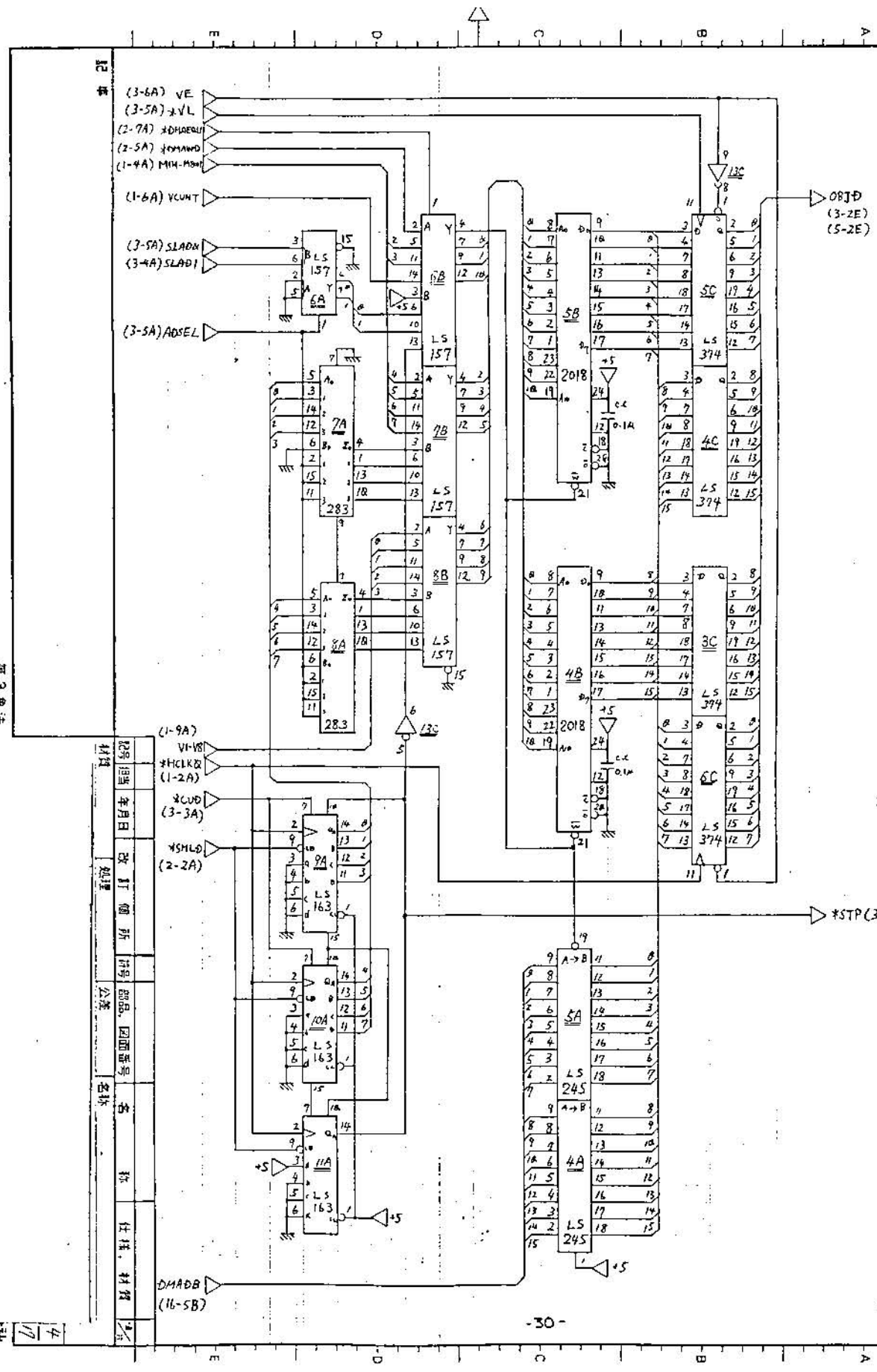
第3角法



|       |    |
|-------|----|
| 日期    | 20 |
| 材料    |    |
| 用途    |    |
| 年月日   |    |
| 改訂個所  |    |
| 行號    |    |
| 公差    |    |
| 圖面番號  |    |
| 名稱    |    |
| 標     |    |
| 仕様、材質 |    |
| 製     |    |

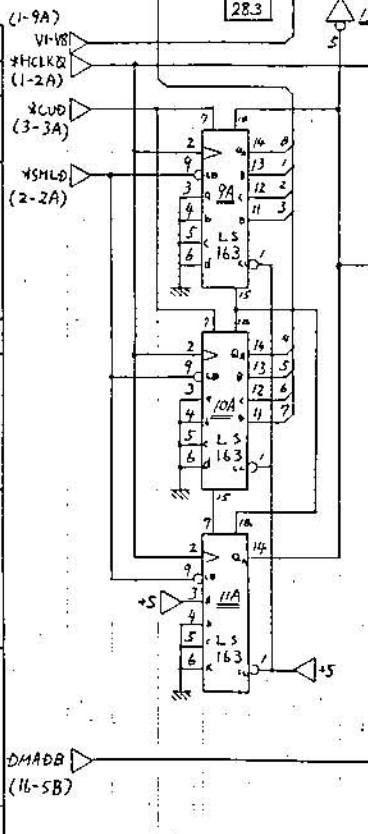


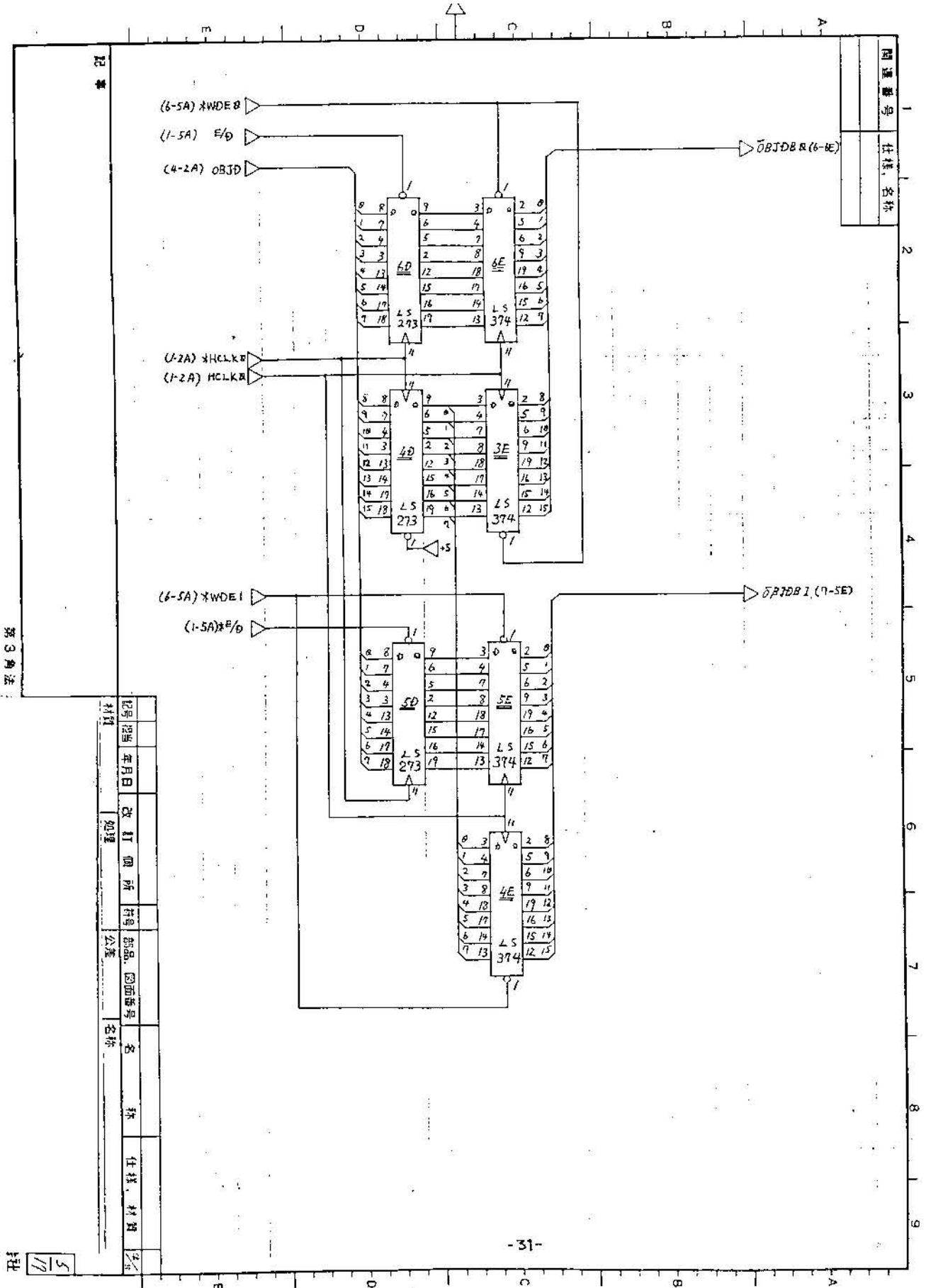
|      |       |
|------|-------|
| 回路番号 | 仕様、名称 |
| 1    |       |
| 2    |       |
| 3    |       |
| 4    |       |
| 5    |       |
| 6    |       |
| 7    |       |
| 8    |       |
| 9    |       |



第3角法

|    |    |     |    |    |    |    |      |   |    |    |
|----|----|-----|----|----|----|----|------|---|----|----|
| 材料 | 回路 | 年月日 | 改訂 | 箇所 | 符号 | 部品 | 回路番号 | 番 | 仕様 | 材料 |
|    |    |     |    |    |    |    |      |   |    |    |

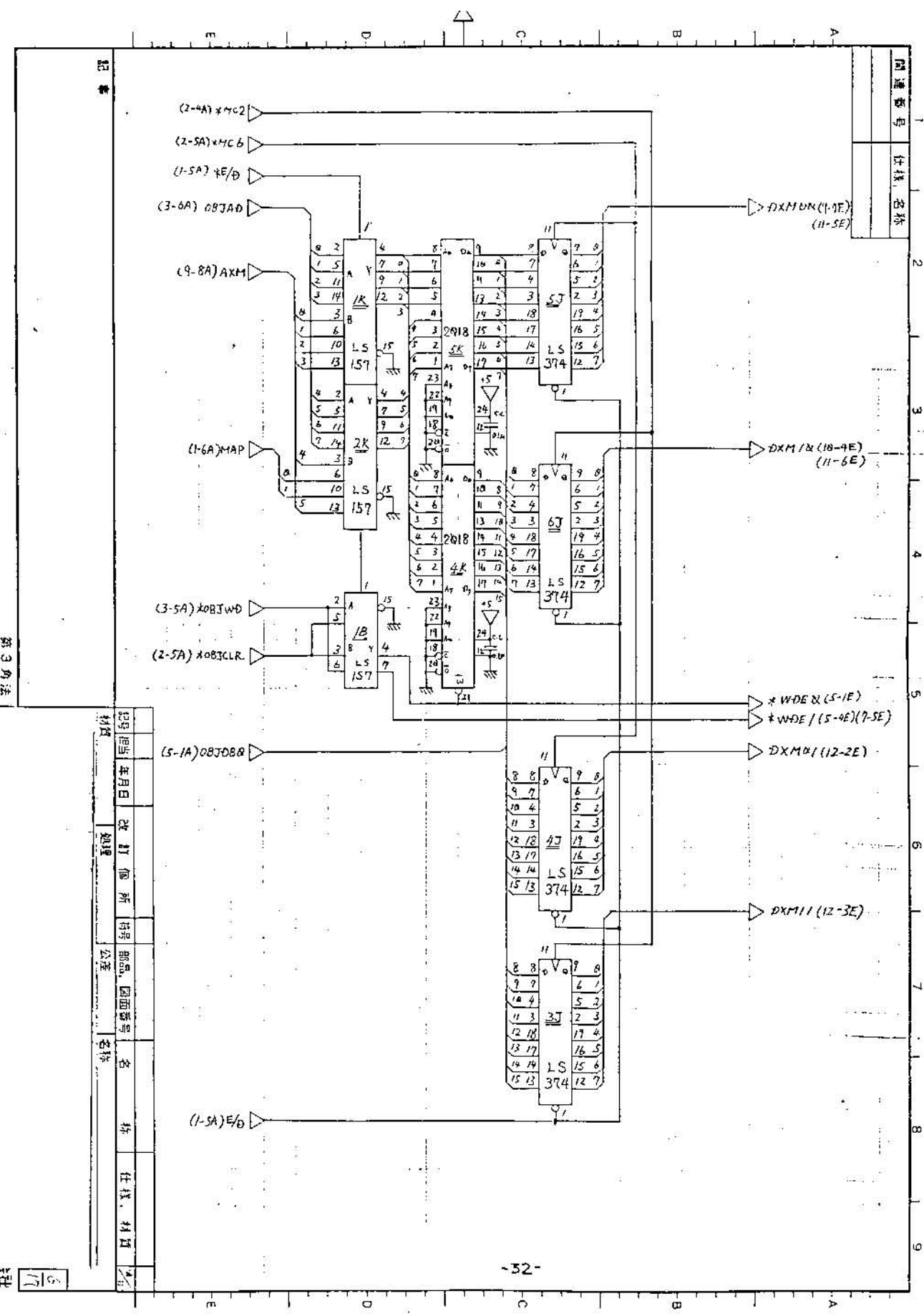




第3角法

|    |     |    |    |    |    |      |   |   |    |    |   |
|----|-----|----|----|----|----|------|---|---|----|----|---|
| 记号 | 年月日 | 改打 | 场所 | 打号 | 部品 | 回面番号 | 名 | 探 | 仕様 | 材料 | 社 |
|    |     |    |    |    |    |      |   |   |    |    |   |

|      |    |    |
|------|----|----|
| 回面番号 | 仕様 | 名称 |
|      |    |    |

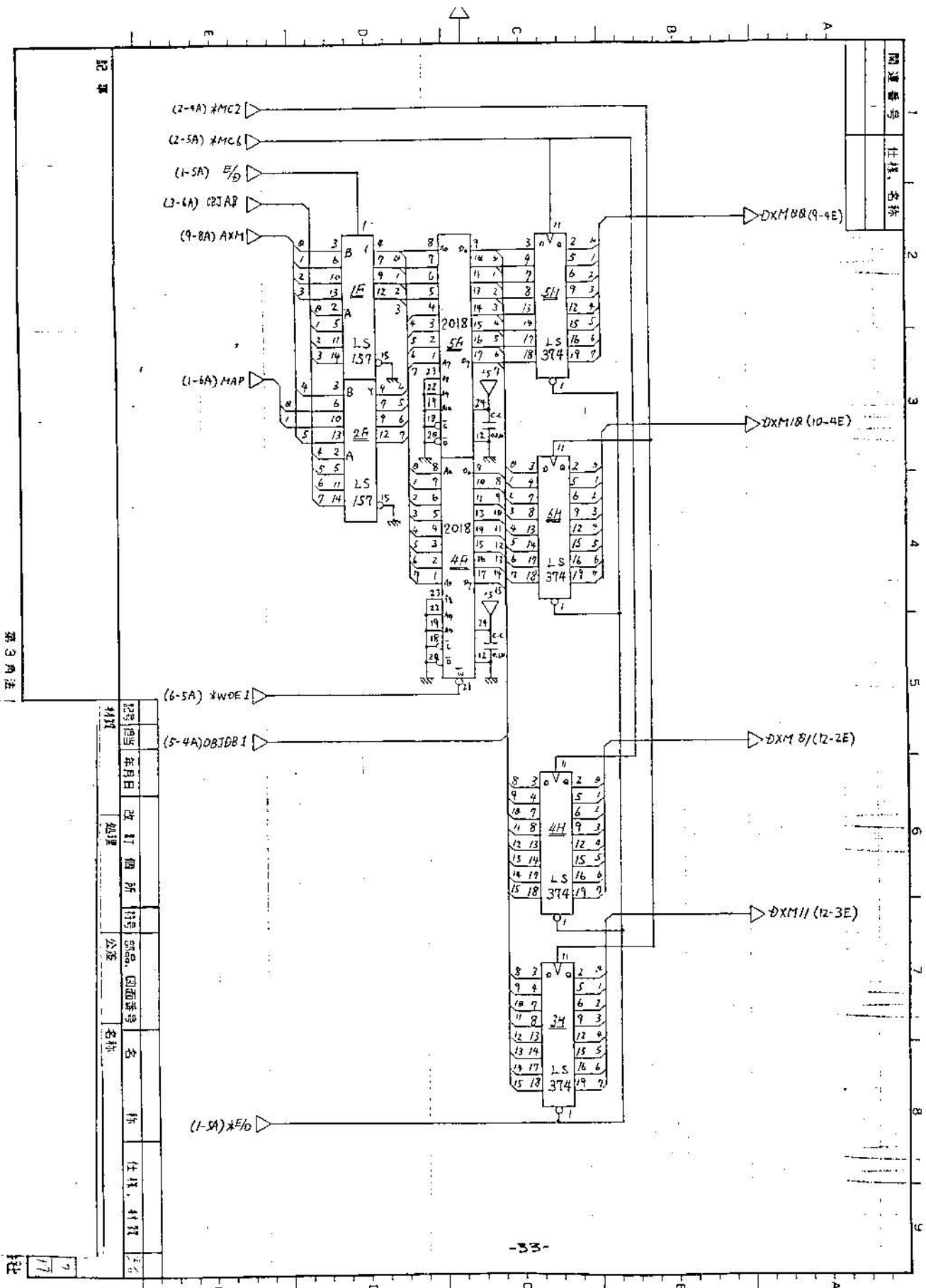


记录

第3办法

|    |      |     |    |    |    |    |    |    |    |    |    |
|----|------|-----|----|----|----|----|----|----|----|----|----|
| 材料 | 记录日期 | 年月日 | 改订 | 个所 | 符号 | 部品 | 版面 | 番号 | 名称 | 位址 | 材料 |
|    |      |     |    |    |    |    |    |    |    |    |    |

17



記事

第3角法

|    |     |      |    |    |    |    |
|----|-----|------|----|----|----|----|
| 记录 | 年月日 | 改訂箇所 | 社名 | 名称 | 社名 | 社名 |
| 材料 |     |      | 部  | 部  | 部  | 部  |
|    |     |      |    |    |    |    |
|    |     |      |    |    |    |    |
|    |     |      |    |    |    |    |
|    |     |      |    |    |    |    |
|    |     |      |    |    |    |    |
|    |     |      |    |    |    |    |
|    |     |      |    |    |    |    |
|    |     |      |    |    |    |    |



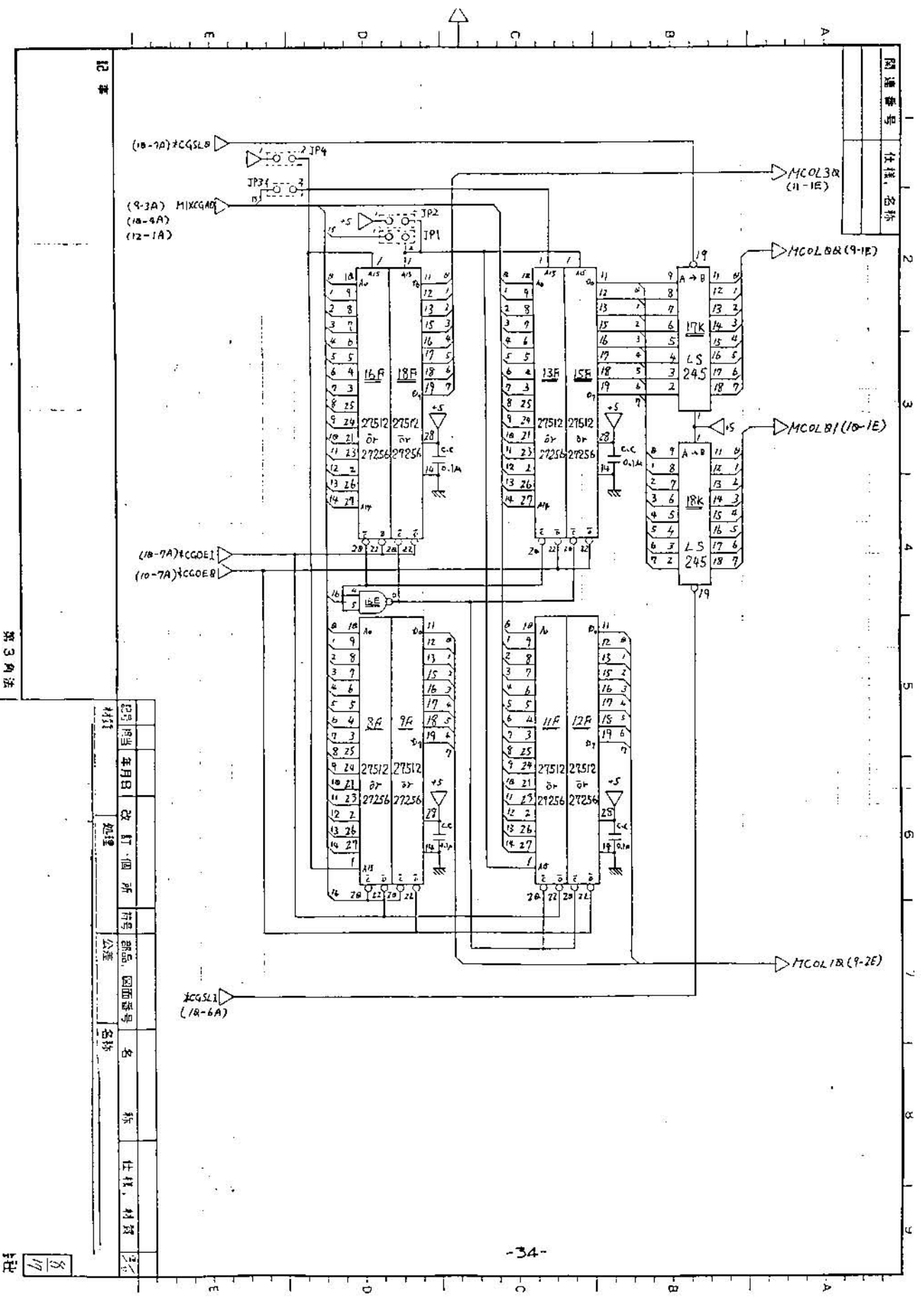


图 2

|     |     |
|-----|-----|
| 图 号 | 图 名 |
| 图 号 | 图 名 |

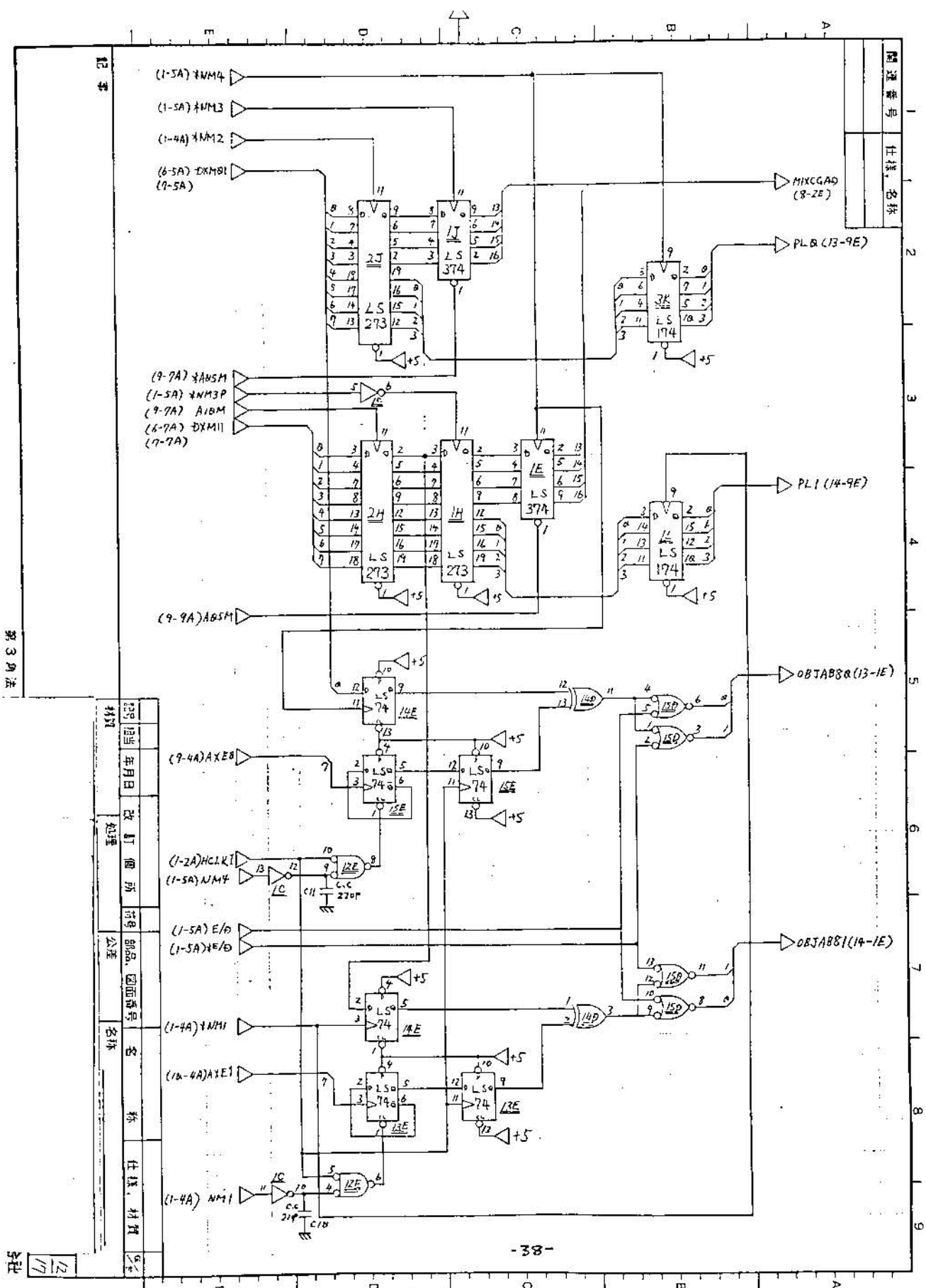
第 3 角法

|    |    |    |    |    |
|----|----|----|----|----|
| 材料 | 日期 | 处理 | 姓名 | 任务 |
| 日期 | 日期 | 处理 | 姓名 | 任务 |
| 日期 | 日期 | 处理 | 姓名 | 任务 |
| 日期 | 日期 | 处理 | 姓名 | 任务 |





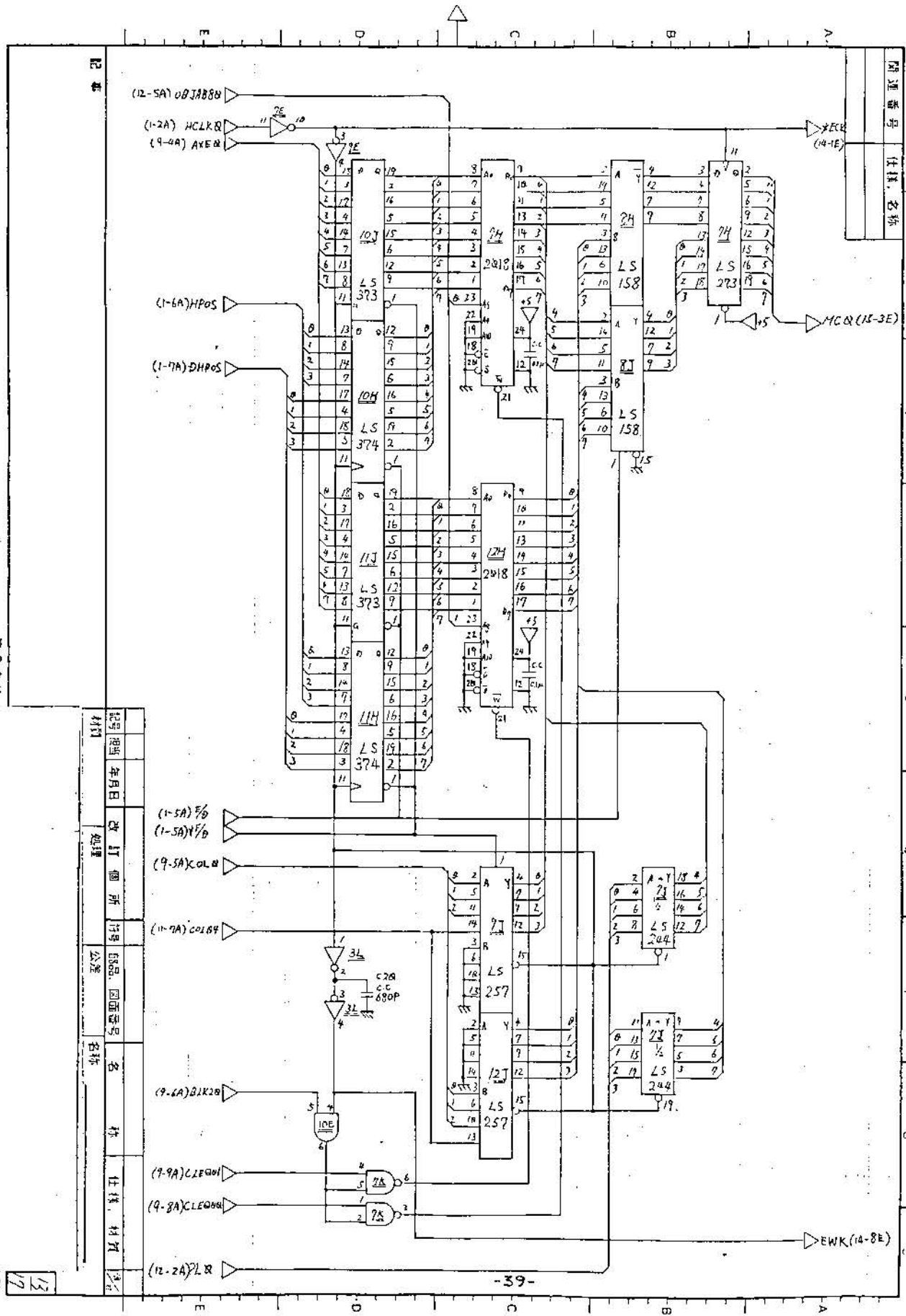




记事

第3角法

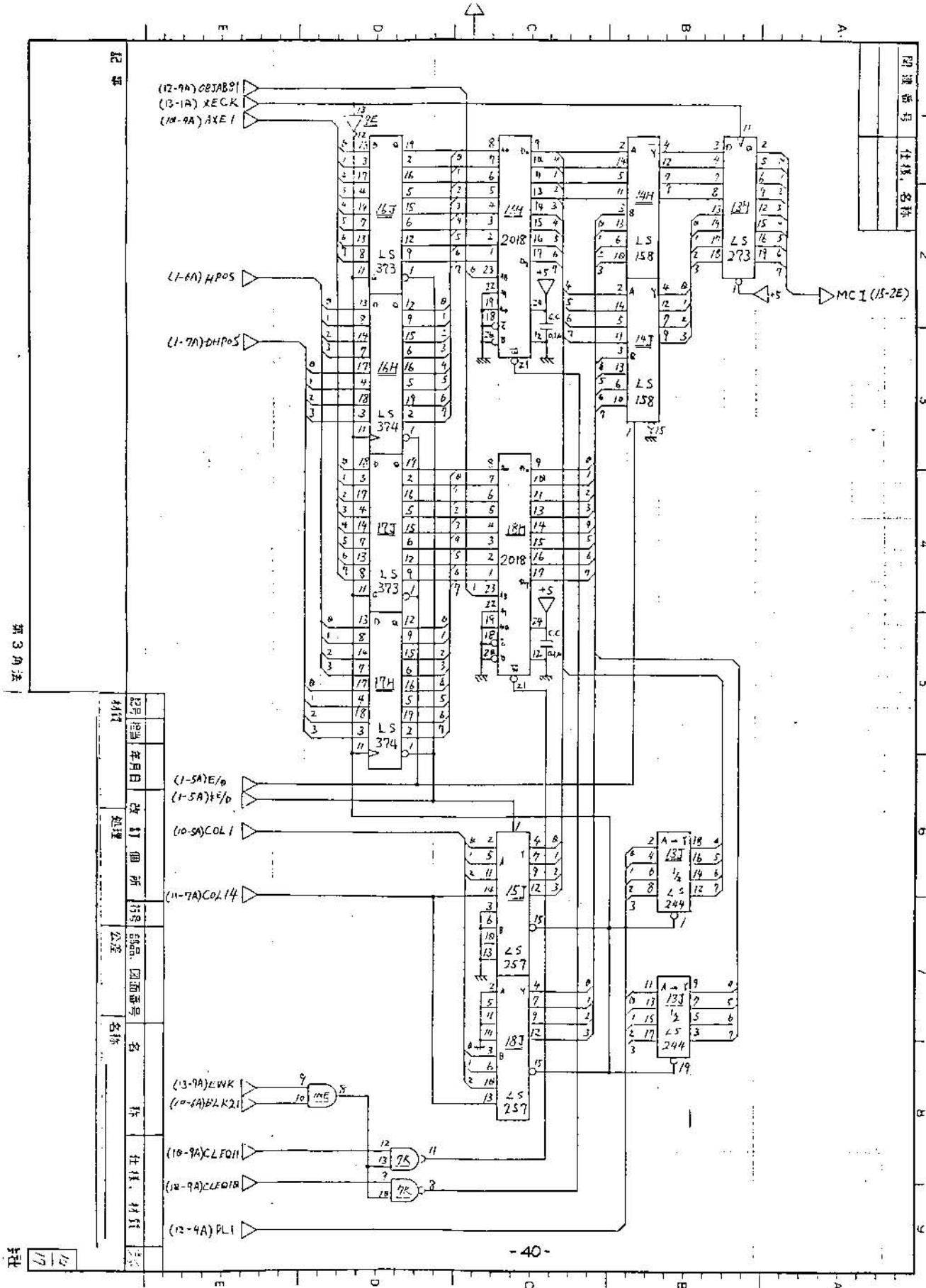
|    |     |    |    |    |    |    |
|----|-----|----|----|----|----|----|
| 29 | 年月日 | 改订 | 变更 | 名称 | 任务 | 材料 |
|    |     |    |    |    |    |    |
|    |     |    |    |    |    |    |
|    |     |    |    |    |    |    |
|    |     |    |    |    |    |    |
|    |     |    |    |    |    |    |
|    |     |    |    |    |    |    |
|    |     |    |    |    |    |    |
|    |     |    |    |    |    |    |
|    |     |    |    |    |    |    |



|    |      |
|----|------|
| 图号 | 17   |
| 图名 | 第3角法 |
| 设计 |      |
| 审核 |      |
| 日期 |      |
| 材料 |      |
| 数量 |      |
| 备注 |      |
| 图例 |      |
| 比例 |      |
| 图框 |      |
| 标题 |      |
| 图号 |      |
| 图名 |      |
| 设计 |      |
| 审核 |      |
| 日期 |      |
| 材料 |      |
| 数量 |      |
| 备注 |      |
| 图例 |      |
| 比例 |      |
| 图框 |      |
| 标题 |      |

第3角法

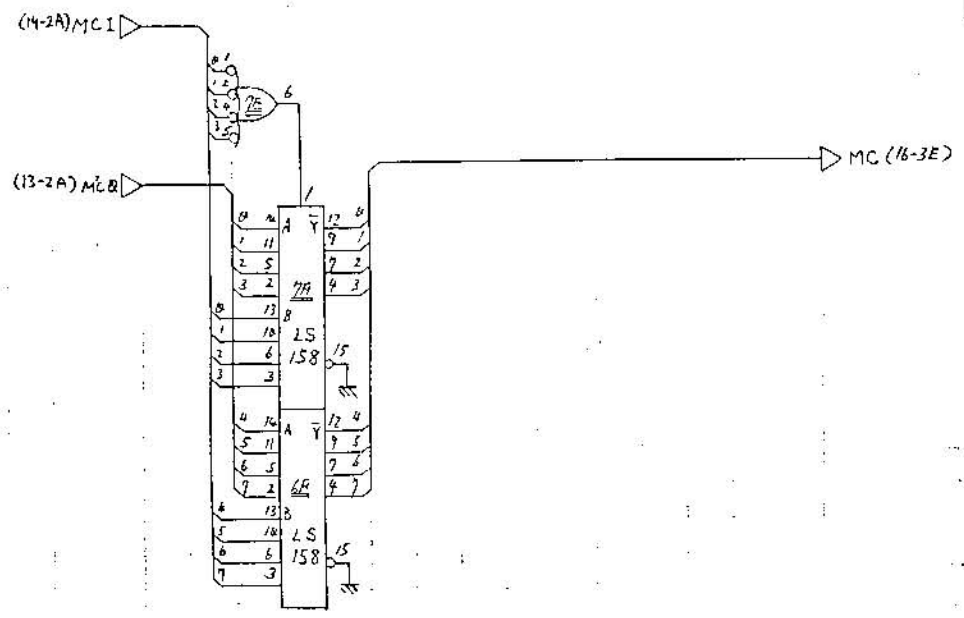
|    |      |
|----|------|
| 图号 | 17   |
| 图名 | 第3角法 |
| 设计 |      |
| 审核 |      |
| 日期 |      |
| 材料 |      |
| 数量 |      |
| 备注 |      |
| 图例 |      |
| 比例 |      |
| 图框 |      |
| 标题 |      |



第3角法

12/17

|      |      |
|------|------|
| 图样编号 | 图样名称 |
|      |      |



22 集

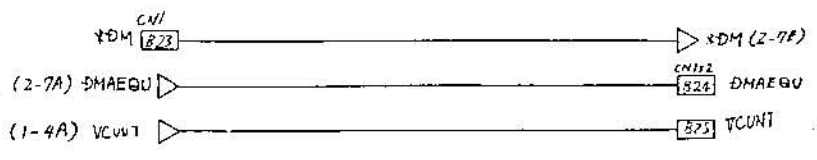
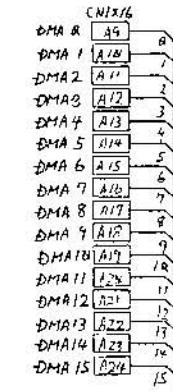
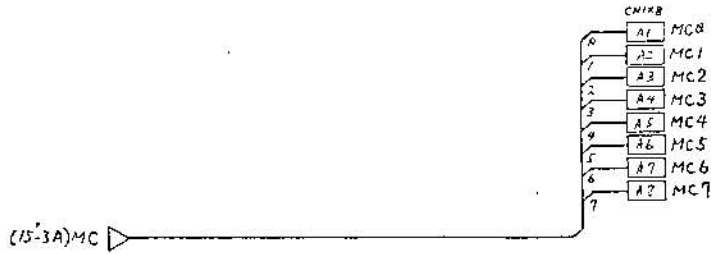
第 3 页

|    |    |    |    |    |    |         |    |    |       |  |
|----|----|----|----|----|----|---------|----|----|-------|--|
| 材料 | 记录 | 日期 | 改订 | 图所 | 行号 | 部品、图面番号 | 名称 | 名称 | 仕様、材料 |  |
|    |    |    |    |    |    |         |    |    |       |  |

15/17



|     |      |
|-----|------|
| 图通号 | 任务名称 |
|     |      |



(13-3A)MC

DMADB (4-9E)

(1-9A) V1-V8

XDM (2-7F)

(2-7A) DMAEQU

XDM (2-7F)

DMAEQU

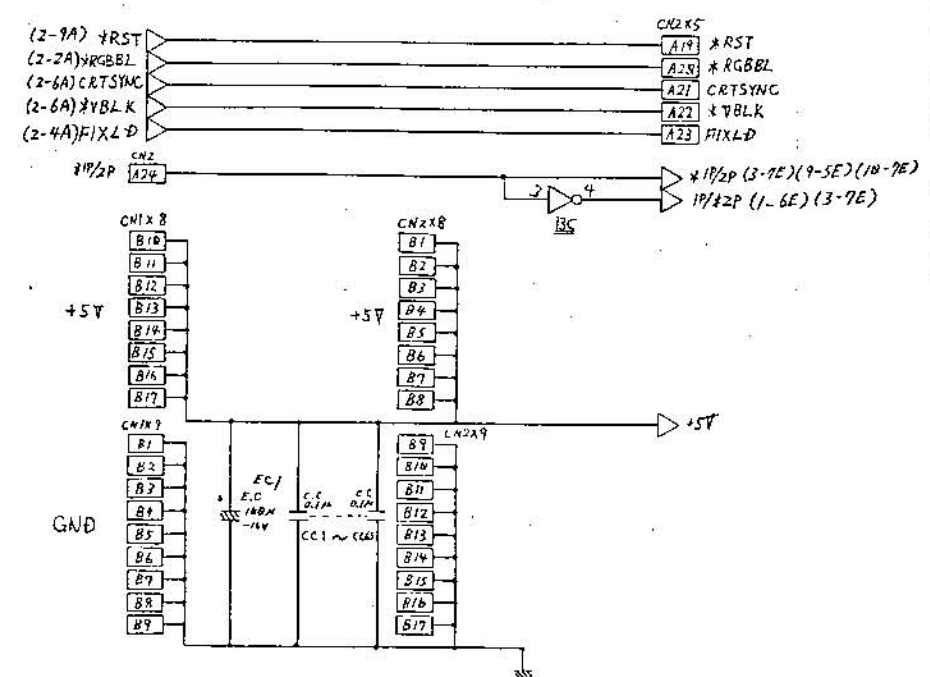
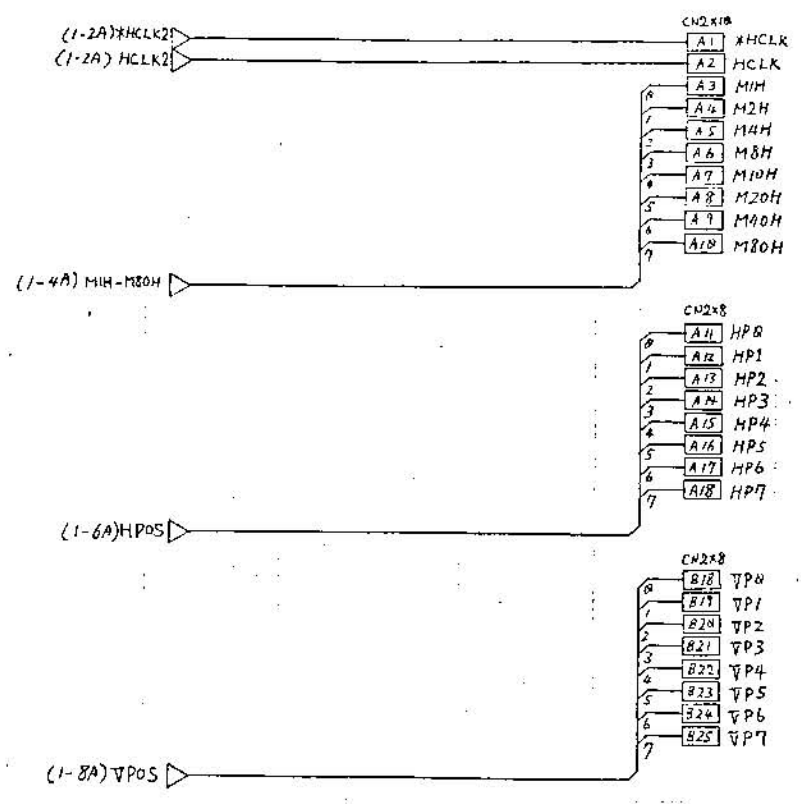
(1-4A) VCUNT

VCUNT

第3角注

|    |    |    |    |    |    |    |    |      |    |    |    |     |
|----|----|----|----|----|----|----|----|------|----|----|----|-----|
| 材料 | 规格 | 数量 | 日期 | 更改 | 包所 | 份号 | 部品 | 图面番号 | 名称 | 任务 | 材料 | 图通号 |
|    |    |    |    |    |    |    |    |      |    |    |    |     |

|      |      |
|------|------|
| 関連番号 | 仕様名称 |
|      |      |



|    |      |     |      |    |         |    |    |    |
|----|------|-----|------|----|---------|----|----|----|
| 記号 | 記号相当 | 年月日 | 改打個所 | 行号 | 部品、図面番号 | 名称 | 仕様 | 材料 |
|    |      |     |      |    |         |    |    |    |

第3角法

1/7  
1/7