



GREAT GUNS

INSTALLATION & OPERATION



Stern Electronics, Inc./700 Chase
Elk Grove Village, Illinois 60007
(312) 981-9600 Telex: 254657



TOLL-FREE
Service No.
(800) 621-6424

12 G-10-221
REVISION B

*** SPECIAL NOTE ***

If optional Award Return Feature is not used, Award Return should be set at "0". Setting Award Return at "0" turns this feature off.

To set Award Return to "0", go to Service Index and select "02 Game Adjustment". The bottom line is the Award Return. Player 1 Button decreases, and Player 2 Button increases Award Return by 10,000 pt. increments.

If Award Return is not set on "0", the Award Return will be mentioned in the Attract mode of the game.

SECTION I: GAME DESCRIPTION - GREAT GUNS

The object of the game is to hit as many of the higher scoring targets as possible. All targets are indicated by a white cross.

The targets score from 500 to 9,500 points depending on the difficulty of the target. Each time a shot is fired, a bullet is deducted from the total number of bullets.

The starting number of bullets is adjustable for 60, 70, 80 or 90 bullets. An additional 20 bullets is given to each player when a two player game is played.

Each time either 1,000, 2,000, 3,000, 4,000, 5,000, 6,000, 7,000 or 8,000 points are earned, an additional bullet is added to the total number of bullets.

For every 5 seconds that pass without a shot being fired, 5 bullets will be deducted from the total number of bullets. 5 second time interval decreases in later racks.

The racks are a predetermined time and as long as there are still bullets left when a rack ends, you will enter the next rack.

DESCRIPTION OF THE RACKS (in order of appearance):

- | | | |
|-------------------|---|--|
| Carnival | - | An animated carnival with many targets. |
| Clown | - | Targets appear from the most unlikely places. |
| Castle | - | Soldiers, Vikings, The King & Queen, and much, much more. |
| Catapult | - | Shoot the catapulted rocks, the hot air balloon or the sea monster. |
| Prehistoric | - | We went way, way back for this one. |
| Saber Tooth Tiger | - | They are running in every direction & they get faster. |
| Carnival | - | Same as above. |
| Balloon | - | Shoot the balloons before they burst. |
| Castle | - | Same as above. |
| Sorcerer | - | Puffs of smoke emanate from his finger tips. |
| Prehistoric | - | Same as above. |
| Cave Man | - | Little cave men running from cave to cave, reverse direction when hit. |

SECTION II: GAME ADJUSTMENTS

All dip switches used for game adjustments are located on the ZPU-2000 board. The ZPU-2000 board is the bottom board in the card cage.

ZPU-2000 DIP SWITCH DESIGNATION

4	1	-----	FREE GAME/COIN RETURN	ON/OFF
5	2			
6	3			
7	4			
8	5			
9	6			
10	7			
11	8			

12	1	-----	SERVICE INDEX	ON/OFF
13	2	-----	SWITCH TEST	ON/OFF
14	3	-----	FREE PLAY	ON/OFF
15	4	-----	PLAYER IMMORTALITY	ON/OFF
16	5	-----	RACK ADVANCE	ON/OFF
17	6	-----	ATTRACT SOUND	ON/OFF
18	7			
19	8			

20	1	}	-----	LEFT COIN CHUTE
21	2			
22	3			
23	4			
24	5	}	-----	RIGHT COIN CHUTE
25	6			
26	7			
27	8			

28	1	-----	STARTING NUMBER OF BULLETS/CREDIT (60,70,80 or
29	2	-----	90 BULLETS).
30	3	-----	TARGET SIZE (7 X 7, 9 X 9, 11 X 11)
31	4	-----	NUMBER OF POINTS TO EARN FOR 1 EXTRA BULLET
32	5	-----	(1K, 2K, 3K, 4K, 5K, 6K, 7K, 8K)
33	6	-----	
34	7	-----	
35	8	-----	NUMBER OF COINS OR TICKETS RETURNED (1 or 2)

SECTION II: GAME ADJUSTMENTS (Cont'd)

<u>FREE PLAY</u>	<u>DIP SWITCH 14</u>
YES	ON
NO	OFF

<u>PLAYER IMMORTALITY</u>	<u>DIP SWITCH 15</u>
YES	ON
NO	OFF

Used for Test or demonstration purposes, in this mode your player is never destroyed.

<u>RACK ADVANCE</u>	<u>DIP SWITCH 16</u>
YES	ON
NO	OFF

Used for test or demonstration purposes, in this mode pushing the Player One Button displays the next rack on the monitor screen. Pushing the button again, advances to the next rack.

<u>ATTRACT MODE SOUND OFF</u>	<u>DIP SWITCH 17</u>
ON	ON
OFF	OFF

<u>STARTING NUMBER OF BULLETS/CREDIT:</u>	<u>BULLETS</u>	<u>SWITCH 28</u>	<u>SWITCH 29</u>
	60	OFF	OFF
	70	ON	OFF
	80	OFF	ON
	90	ON	ON

These numbers are for one player only. If two players play, each player starts with 20 additional bullets - 80, 90, 100, 110

TARGET SIZE:	<u>SIZE</u>	<u>SWITCH 30</u>	<u>SWITCH 31</u>
	7 X 7	OFF	OFF
	9 X 9	ON	OFF
	11 X 11	OFF	ON
	7 X 7	ON	ON

SECTION II:

GAME ADJUSTMENTS (Cont'd)

NUMBER OF POINTS TO EARN FOR EACH EXTRA BULLET:

<u>POINTS</u>	<u>SWITCH 32</u>	<u>SWITCH 33</u>	<u>SWITCH 34</u>
1,000	OFF	OFF	OFF
2,000	ON	OFF	OFF
3,000	OFF	ON	OFF
4,000	ON	ON	OFF
5,000	OFF	OFF	ON
6,000	ON	OFF	ON
7,000	OFF	ON	ON
8,000	ON	ON	ON

NUMBER OF COINS OR TICKETS RETURNED:

One Coin or Ticket Returned

Two Coins or Tickets Returned

DIP SWITCH 35

OFF

ON

This switch is used when an optional coin return or ticket dispenser is used.

COIN SWITCH SETTINGS:

<u>COIN</u>	<u>SWITCHES</u>					
<u>LEFT CHUTE</u>	23	22	21	20		
<u>RIGHT CHUTE</u>	27	26	25	24		
	OFF	OFF	OFF	OFF1
	OFF	OFF	OFF	ON2
	OFF	OFF	ON	OFF3
	OFF	OFF	ON	ON4
	OFF	ON	OFF	OFF5 1
	OFF	ON	OFF	ON6
	OFF	ON	ON	OFF7
	OFF	ON	ON	ON10
	ON	OFF	OFF	OFF14

SECTION II:

GAME ADJUSTMENTS (Cont'd)

COIN	SWITCHES			
LEFT CHUTE	23	22	21	20
RIGHT CHUTE	27	26	25	24

				SEQUENCE OF CREDITS PER COIN					
				CREDITS	COIN	1	2	3	4
ON	OFF	OFF	ON	.1	.2	.0	.1		
ON	OFF	ON	OFF	.3	.2	.1	.2		
ON	OFF	ON	ON	.5	.2	.0	.5		
ON	ON	OFF	OFF	.7	.2	.0	.7		
ON	ON	OFF	ON	.3	.4	.0	.1	.0	.2
ON	ON	ON	OFF	.5	.4	.1	.1	.1	.2
ON	ON	ON	ON	.7	.4	.1	.2	.1	.3

IF BOTH COIN CHUTES ARE ADJUSTED THE SAME, FOR MULTIPLE COINS, CREDITS WILL INCREASE AS IF DROPPED IN SAME CHUTE.

SECTION III:

SERVICE MODES

Your game is using the new Color Frame Buffer (C.F.B.) Hardware System, one of the more advanced systems in the industry today.

The CFB provides three service modes:

- (1) Power on self test for each board
- (2) Service Index
- (3) Switch Test

I. POWER ON SELF TEST:

There are three boards in the C.F.B. System:

- 1) ZPU-2000
- 2) CFB-1001
- 3) PSB-1000

Each board has its own test L.E.D. and each board goes through its own self test on power-up. Each flash checks a particular section of the board. The L.E.D. flashes upon completion of a test. In all cases, if L.E.D. does not come on at all, then check the Z-80 Processor.

Listed below, by board, are the sequence of LED flashes and what section of the board is being checked. If LED stays lit, the test has failed.

ZPU-2000:

6 Flashes (7 Flashes when Bookkeeping Ram Test is executed):

- 1st = Rom 0 Position H1
- 2nd = Rom 1 Position H2
- 3rd = Rom 2 Position H3
- 4th = Rom 3 Position H4
- 5th = Scratch Ram C6
- 6th = Shared Ram

Chip located at Position F3 on CFB Board. ZPU Board must be able to "talk" to the CFB Board to complete this test.

Optional Bookkeeping Ram Test:

- 7th = Bookkeeping and Gun Zone Adjustments Ram F6

If problems are encountered with bookkeeping or zone adjustments changing value randomly, this test should be run. To initiate the test, hold switch 1 or 2 on the ZPU 2000 during power-up tests.

PSB-1000:

2 Flashes:

- 1st = Eprom 0 A4
- 2nd = Scratch Ram A5

SECTION III

SERVICE MODES (Cont'd)

CFB-1000:

26 Flashes:

1st	= Rom 0	Program Prom	F7		
2nd	= Rom 1	Program Prom	F8		
3rd	= Rom 0	Pattern Prom	- ON	PSB-1000	G5
4th	= Rom 1	Pattern Prom	- ON	PSB-1000	F5
5th	= Rom 2	Pattern Prom	- ON	PSB-1000	D5
6th	= Rom 3	Pattern Prom	- ON	PSB-1000	C5
7th	= Rom 4	Pattern Prom	- ON	PSB-1000	G6
8th	= Rom 5	Pattern Prom	- ON	PSB-1000	F6
9th	= Rom 6	Pattern Prom	- ON	PSB-1000	D6
10th	= Rom 7	Pattern Prom	- ON	PSB-1000	C6
11th	= Rom 8	Pattern Prom	- ON	PSB-1000	G7
12th	= Rom 9	Pattern Prom	- ON	PSB-1000	F7
13th	= Rom 10	Pattern Prom	- ON	PSB-1000	D7
14th	= Rom 11	Pattern Prom	- ON	PSB-1000	C7
15th	= Rom 12	Pattern Prom	- ON	PSB-1000	G8
16th	= Rom 13	Pattern Prom	- ON	PSB-1000	F8
17th	= Rom 14	Pattern Prom	- ON	PSB-1000	D8
18th	= Rom 15	Pattern Prom	- ON	PSB-1000	C8
19th	= Rom 16	Pattern Prom	- ON	PSB-1000	G9
20th	= Rom 17	Pattern Prom	- ON	PSB-1000	F9
21st	= Rom 18	Pattern Prom	- ON	PSB-1000	D9
22nd	= Rom 19	Pattern Prom	- ON	PSB-1000	C9
23rd	= Rom 20	Pattern Prom	- ON	PSB-1000	G10
24th	=	Parameter Ram	K13		
25th	=	Custom Video Controller			
26th	=	Shared Ram	F3		

CFB Board must be able to "talk" and "listen" to the ZPU Board to complete this test.

II. SERVICE INDEX:

Access into the Service Index can be made by turning Dip Switch No. 12 of the ZPU Board on and off OR by holding the Service Index Interlock Switch in then releasing. (Service Index Interlock Switch is located in upper right hand corner of the drawer by the power transformer). To exit the Service Index, repeat the procedure for entering.

The service index displays seven (7) categories on the screen, that provide access to Bookkeeping Information, Game and Coin Adjustment Settings, and Various Diagnostic Tests.

A. The categories in the service index are listed below:

- 01 Bookkeeping
- 02 Game Adjustment
- 03 Credit/Coin Adjustment
- 04 Monitor Test
- 05 Sound Test
- 06 Gun Adjustment Mode
- 07 Game Play Statistics

B. Selecting a category:

To select a category you:

- (1) push the Player One button to move the Red Bar up the index.
- (2) push the Player Two button to move the Red Bar down the index.
- (3) To select a category pull the Trigger on either gun.
- (4) To exit from a category, pull the Trigger on either gun.

C. Description of Categories:

01 Bookkeeping: The Bookkeeping category contains information on:

- (1) Total plays
- (2) Coins through the left coin chute.
- (3) Coins through the right coin chute.
- (4) Total coins, tickets or games returned.
- (5) Total seconds played
- (6) Longest game in seconds
- (7) Shortest game in seconds
- (8) Highest game score
- (9) Highest rack played

To reset the categories back to zero, push switch number two (2) on the ZPU-2000 Board (See ZPU illustration, Sec. 4). This resets all categories except number 8, highest game score, this is handled separately.

NOTE: Number 7, shortest game in seconds is reset to 99.

HIGHEST GAME SCORE:

The CFB System displays twenty (20) high scores in two different categories; All Time and Today.

Scores in the Today column are reset every time the the machine is turned off.

Scores in the All Time column are retained in memory and are not reset when the machines is turned off.

Scores in the All Time Column, can be cleared One At A Time by pushing Switch Number One on the ZPU-200 Board (See ZPU Illustration Sec. 4). Each push of Switch One clears the highest score of the group and all other scores move up. To clear the entire column push Switch One, ten (10) times.

02 Game Adjustments:

Displays how a particular adjustment has been set, the dip switches controlling that function, and the status of those switches.

03 Credit/Coin Adjustments:

Show what Coin/Credit combination has been set for both the Left and Right Coin Chutes, and which switches control each chute.

04 Monitor Test:

Displays a Red, Blue, Green or Crosshatch pattern on the screen for monitor adjustments.
To change screens, push the Player One button.

05 Sound Test:

Allows you to test each sound of the game individually. To do this use either the Player One or Player Two buttons to call up the number of the sound (See Chart) you want to test. Pulling the Trigger on either gun starts the sound.

To exit the Sound Test, call up position number 12 (Exit Sound Test) and pull the Trigger on either gun.

LIST OF GAME SOUNDS:

01	Credit
02	Gun Shot
03	Gun Hit
04	Game Over
05	Title Song
06	Carnival Song (Major)
07	Carnival Song (Minor)
08	Medieval Song (Major)
09	Medieval Song (Minor)
10	Prehistoric Song (Major)
11	Prehistoric Song (Minor)
12	Exit Sound Test

06 Gun Adjustment Mode:

This mode allows you to adjust the position of the shot on the screen. The Left Gun Trigger allows you to adjust left gun and the Right Gun Trigger allows you to adjust right gun.

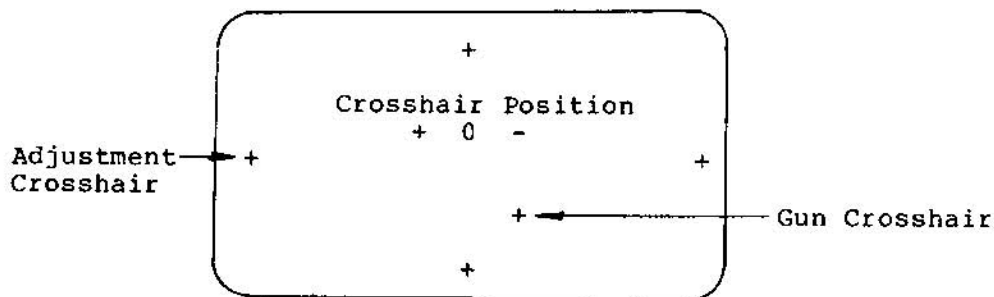
Select the adjustment mode that you want - The Player 1 Button allows you to adjust the "Limit Adjustment". The Player 2 Button allows you to adjust the "Zone Adjustment".

Limit Adjustment:

CAUTION: Left Gun: Left - Pot R1, Right - Pot R2, Top - Pot R3, Bottom - Pot R4. This is the proper adjustment sequence for the left gun only.

Right Gun: Left - Pot R1, Right - Pot R2, Bottom - Pot R3, Top - Pot R4. This is the proper adjustment sequence for the right gun only.

This sequence must be followed for proper adjustment.



To adjust the "Limit Adjustment", move the gun crosshair to the left adjustment crosshair first, while aiming at it.

NOTE: Only one of the adjustment crosshairs is on the screen at a time. To move the crosshair to the next position pull the trigger on the gun that you are adjusting.

With Pot's on UIB's closest to you, the left board is for the left gun and the right board is for the right gun. Using the adjustment tool, included in the service envelope, adjust all pots on each UIB Board (located behind the coin door. The UIB Mtg. Board unlatches and can be removed for easy service, See UIB Illustration on page 21).

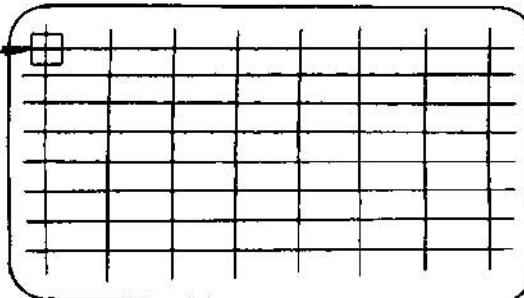
Adjust the pot until the 0 of the crosshair position turns from black to red. For proper final adjustment, the 0 of the crosshair position should be red, and the + and - should be black.

NOTE: THESE ADJUSTMENTS SHOULD BE COMPLETED TWICE TO ASSURE HIGHEST ACCURACY.

To exit this mode, pull the trigger of the opposite gun that you are working on.

06 Gun Adjustment Mode: (Cont'd)ZONE ADJUSTMENT:

WHITE BOX AROUND
INTERSECTION IS
ZONE BEING
ADJUSTED



To adjust zones, simply aim at the intersection with the white box around it and pull trigger of gun that you are adjusting. White box will automatically move to the next zone. Repeat this for all zones. CAUTION - you must only pull trigger when aiming at a zone that has the white box around it.

If you wish to move white box back a zone, push Player 1 Button. To move forward, push Player 2 Button.

To exit this mode, pull the trigger of the opposite gun that you are adjusting. The "Limit Adjustment" and the "Zone Adjustment" must be done for each gun.

NOTE: ZONE ADJUSTMENTS ARE STORED IN BOOKKEEPING RAM ON THE ZPU BOARD. IF THE ZPU IS REPLACED, THE ZONE ADJUSTMENTS MUST BE REPEATED.

07 Game Play Statistics:

This category contains information on:

(1) Range of scores:

This page shows the range of scores achieved in 50K points increments. It displays values from 0 to 700K points. It also shows how many times each level was reached.

(2) Range of times:

This page shows the range of time played, in minutes. Times shown are from 0 to 14 minutes and increase at one minute intervals.

(3) Range of racks:

This page shows the number of times the highest rack per game was reached.

Pushing the Player One Button changes the display to the next page.

Pushing the Player Two Button clears the page being displayed back to zero.

SECTION III

SWITCH TEST

The switch test can be turned on two different ways:

- (1) By turning switch number 13 of the ZPU Board on and off.
To exit the Service Index, repeat the procedure for entering.
- (2) Holding the Player One start button closed during power-up.

0 = Switch open

1 = Switch closed

<u>SWITCH</u>	<u>STROBE</u>	<u>BIT</u>
Player One	5	2
Player Two	5	3
Left Gun Trigger	5	4
Right Gun Trigger	5	5
Right Coin Switch	5	0
Left Coin Switch	5	1
ZPU Switch 1	0	6
ZPU Switch 2	0	7
Dip Switch 4	4	0
Dip Switch 5	4	1
Dip Switch 6	4	2
Dip Switch 7	4	3
Dip Switch 8	4	4
Dip Switch 9	4	5
Dip Switch 10	4	6
Dip Switch 11	4	7
Dip Switch 12	3	0
Dip Switch 13	3	1
Dip Switch 14	3	2
Dip Switch 15	3	3
Dip Switch 16	3	4
Dip Switch 17	3	5
Dip Switch 18	3	6
Dip Switch 19	3	7
Dip Switch 20	2	0
Dip Switch 21	2	1
Dip Switch 22	2	2
Dip Switch 23	2	3
Dip Switch 24	2	4
Dip Switch 25	2	5
Dip Switch 26	2	6
Dip Switch 27	2	7
Dip Switch 28	1	0
Dip Switch 29	1	1
Dip Switch 30	1	2
Dip Switch 31	1	3
Dip Switch 32	1	4
Dip Switch 33	1	5
Dip Switch 34	1	6
Dip Switch 35	1	7

SECTION III

SWITCH TEST (Cont'd)

LEFT GUN OR PLAYER 1:

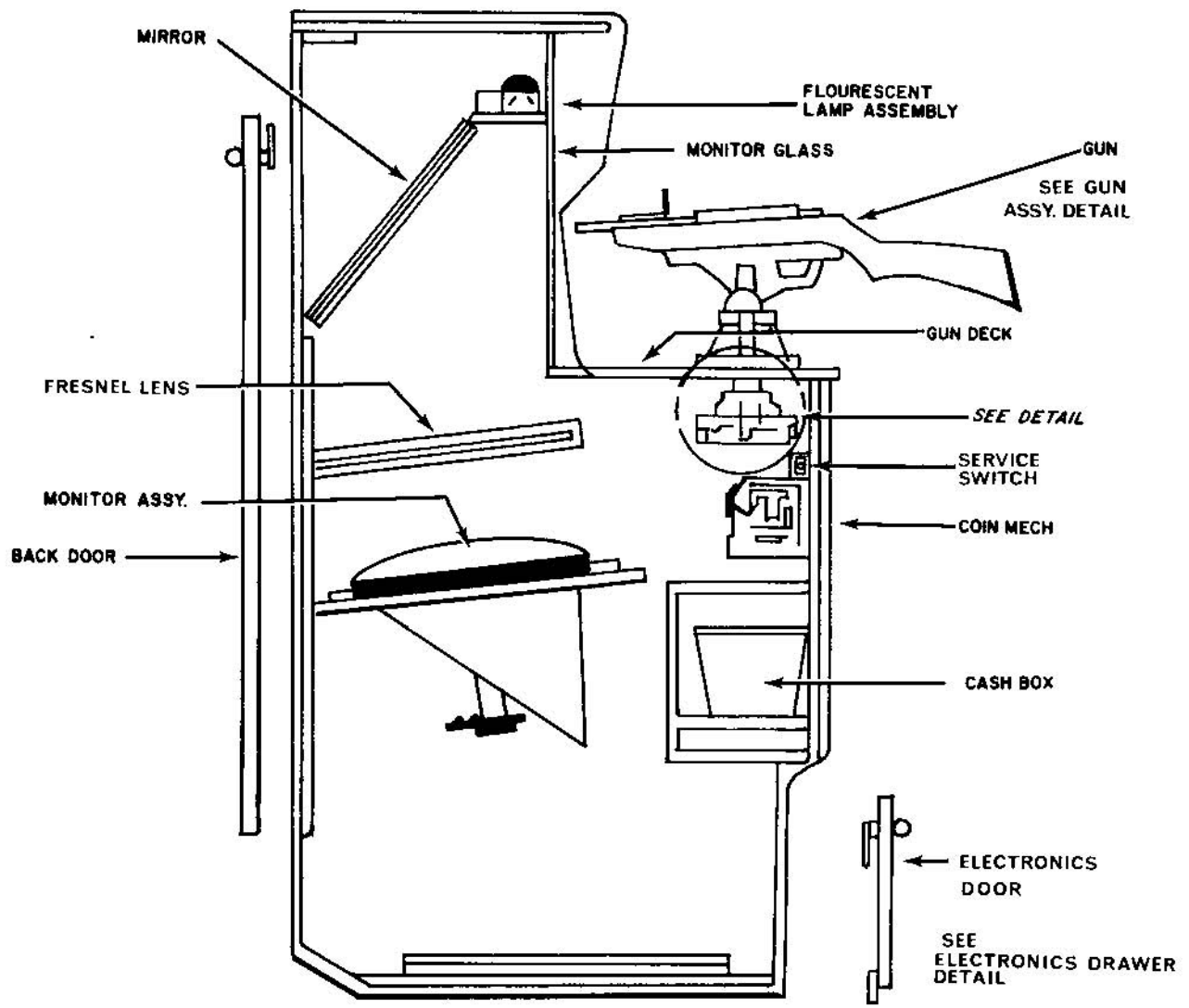
Horizontal movement of gun is Strobe 6, Bits 0 - 7.
Movement is from 0000 0000 to 1111 1111

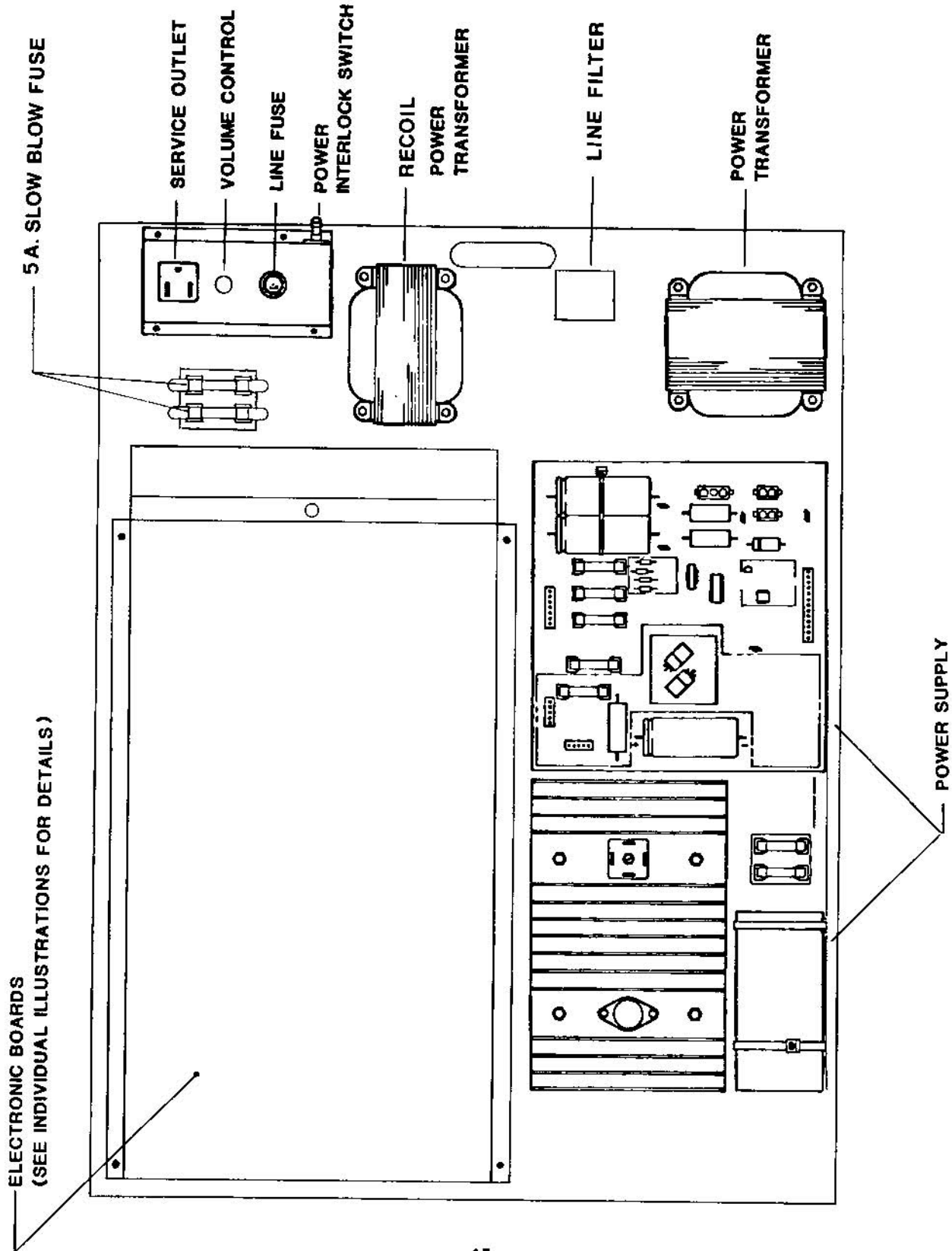
Vertical movement of gun is Strobe 7, Bits 0 - 7
Movement is from 0000 0000 to 1111 1111.

RIGHT GUN OR PLAYER 2:

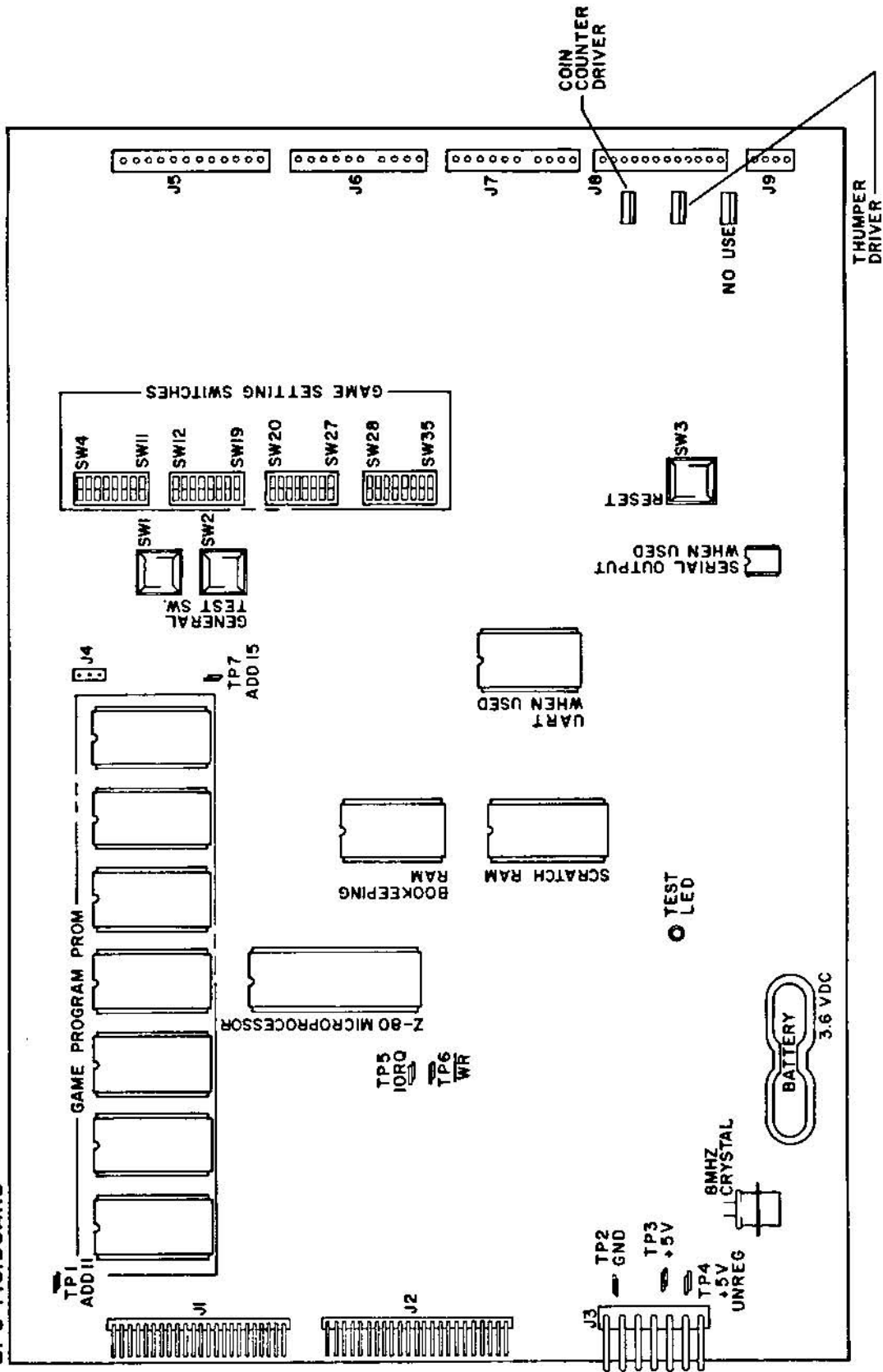
Horizontal movement of gun is Strobe 8, Bits 0 - 7.
Movement is from 0000 0000 to 1111 1111

Vertical movement of gun is Strobe 9, Bits 0 - 7
Movement is from 0000 0000 to 1111 1111.

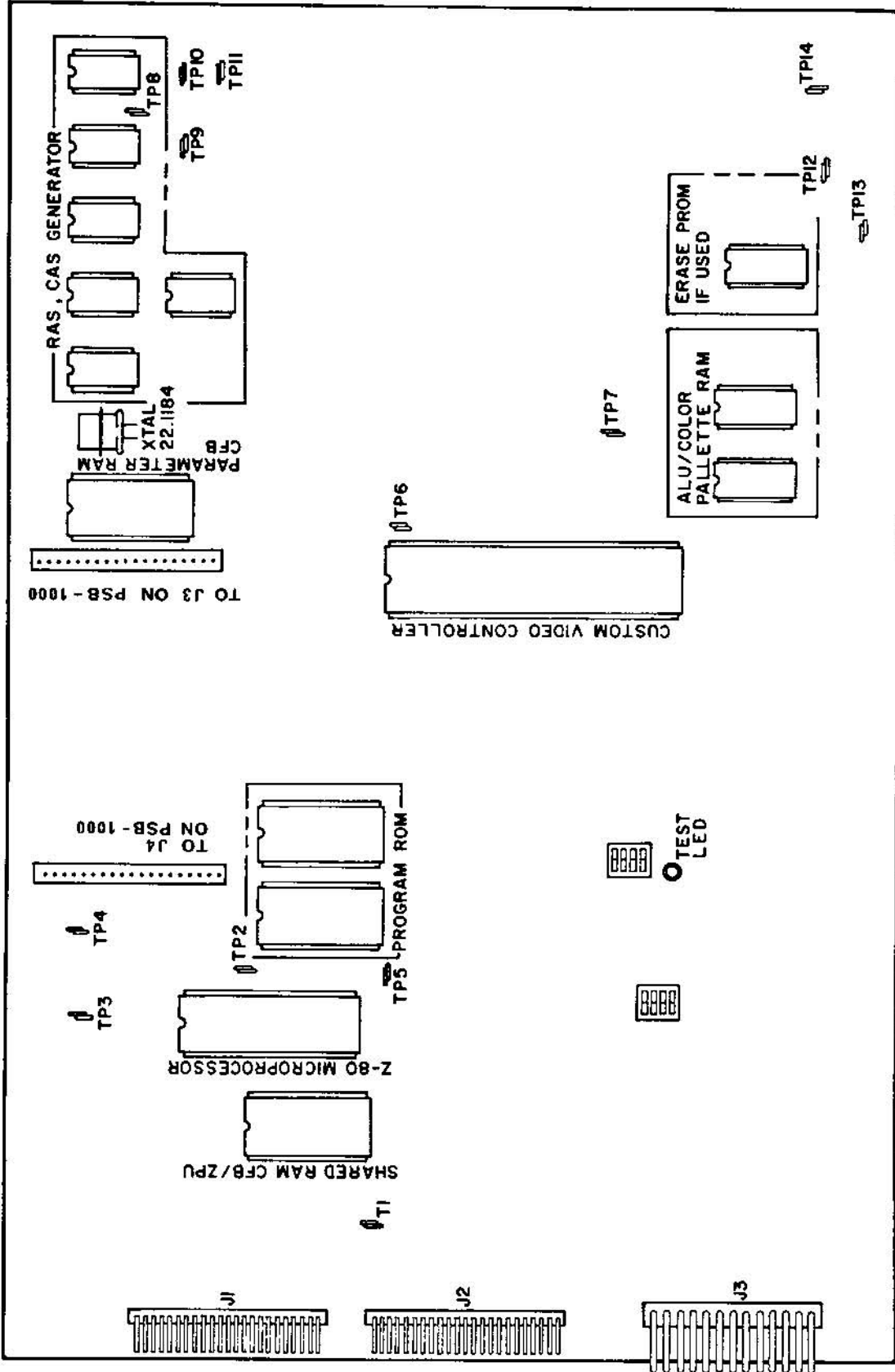




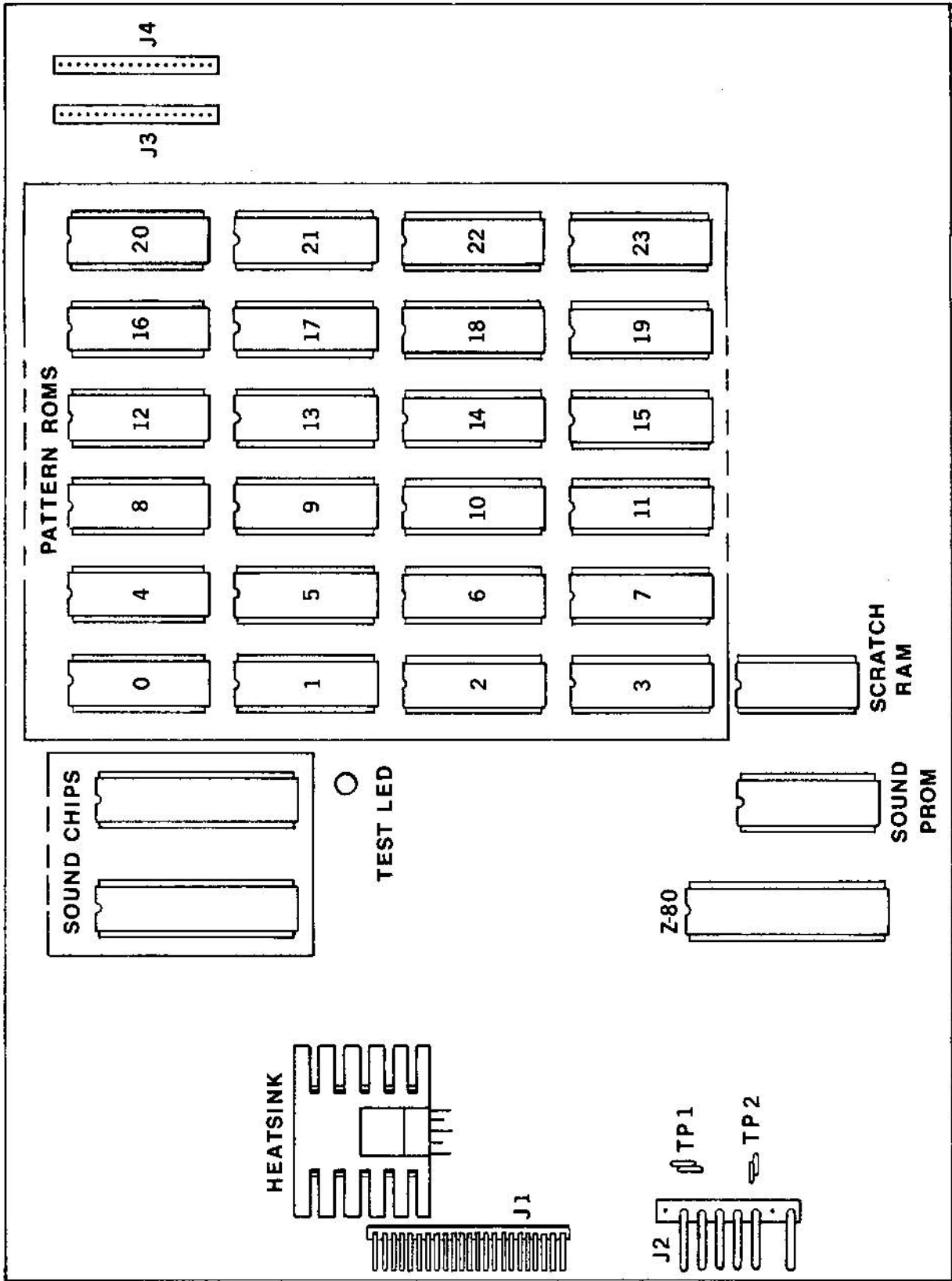
ZPU P.C. BOARD



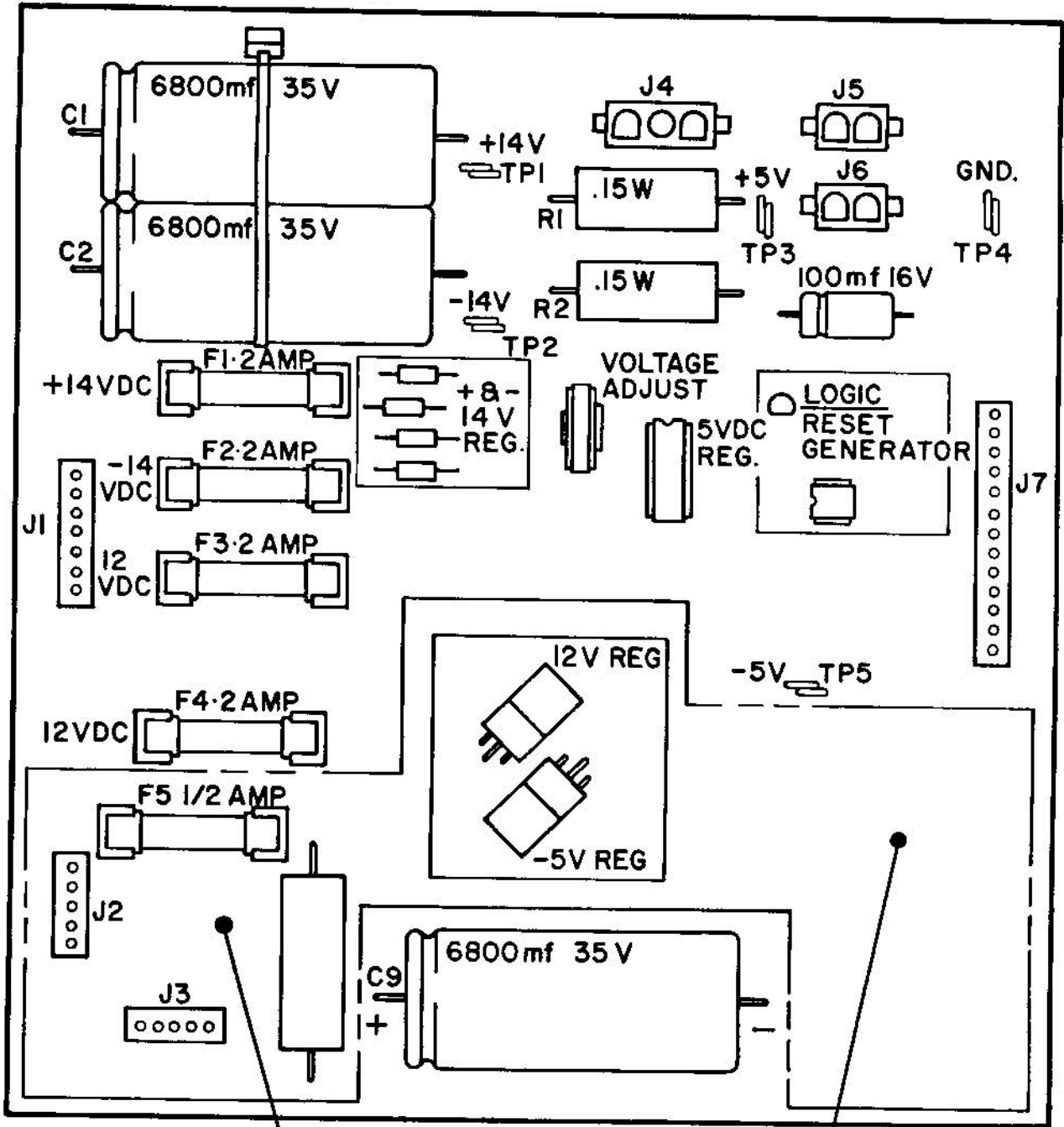
CFB-1000 P.C. BOARD



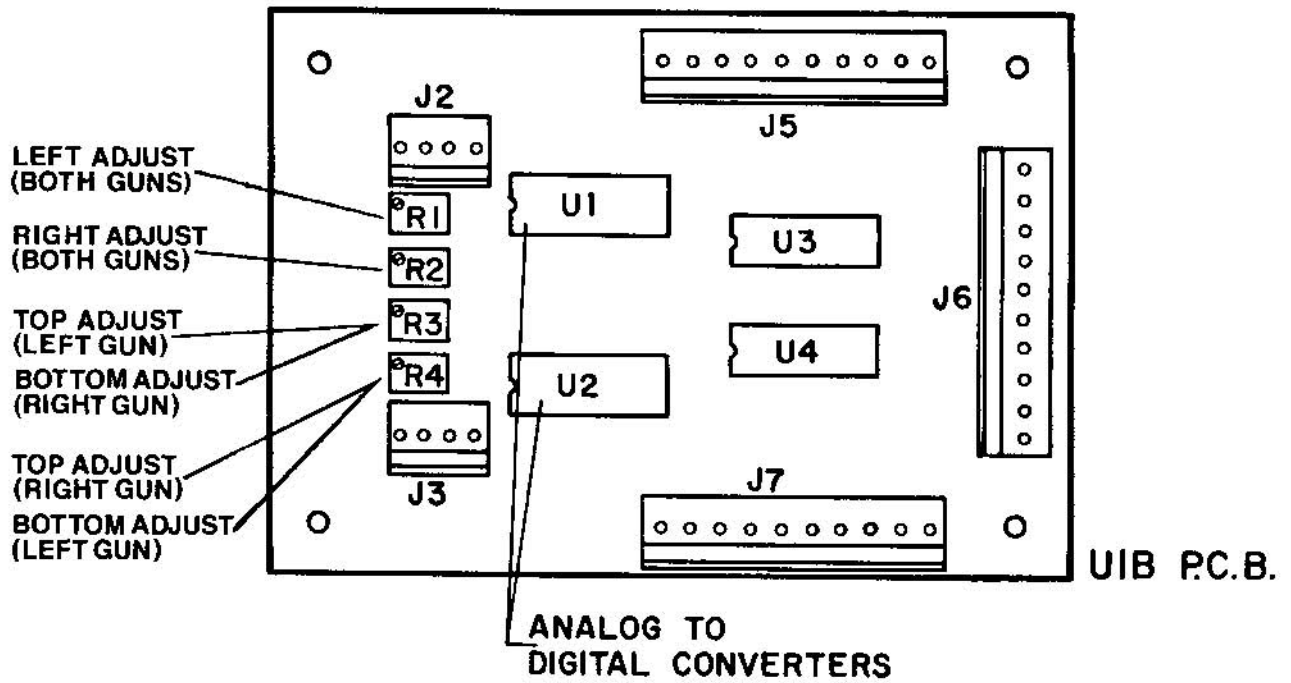
PSB-1000 P.C.B.

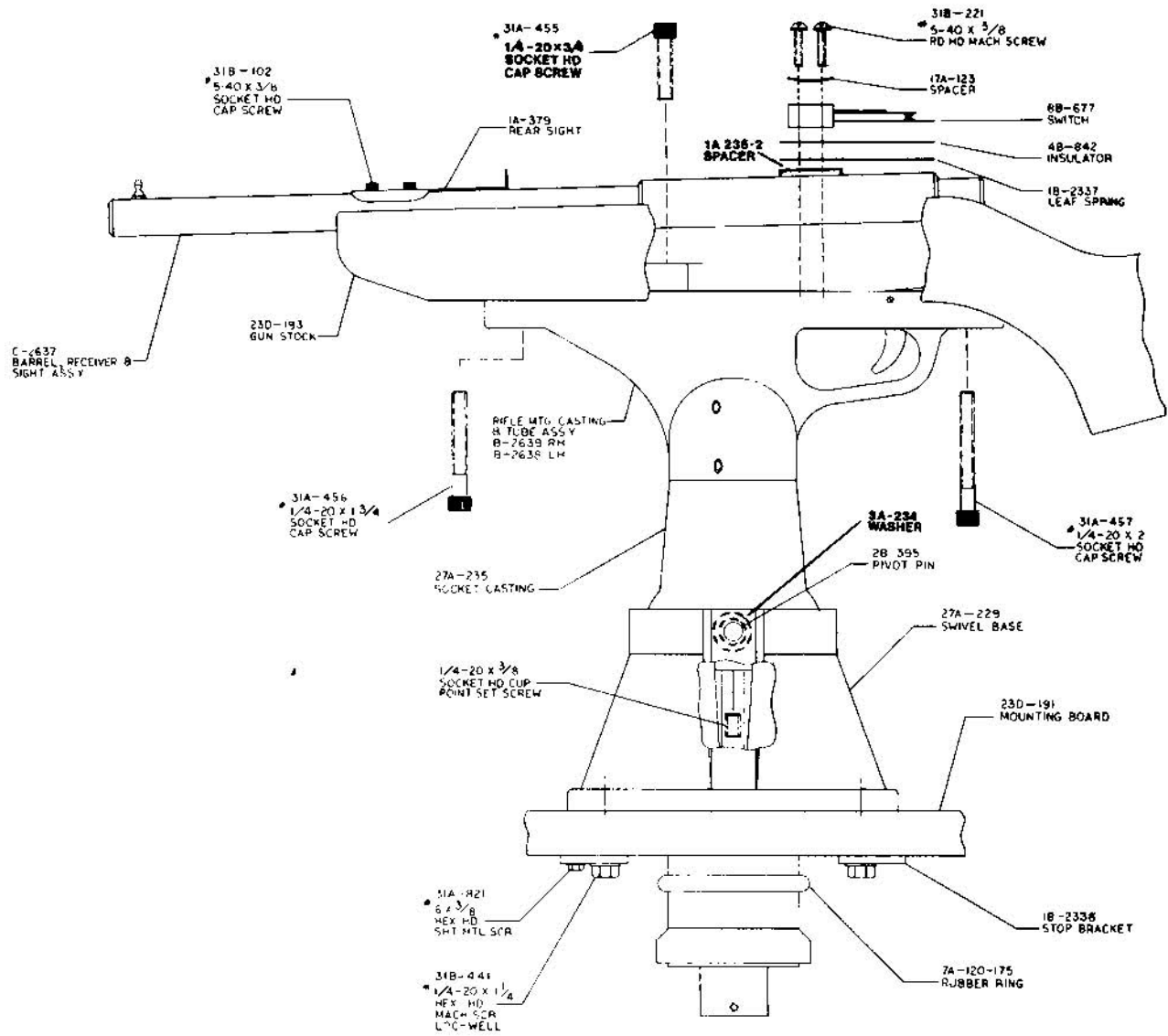


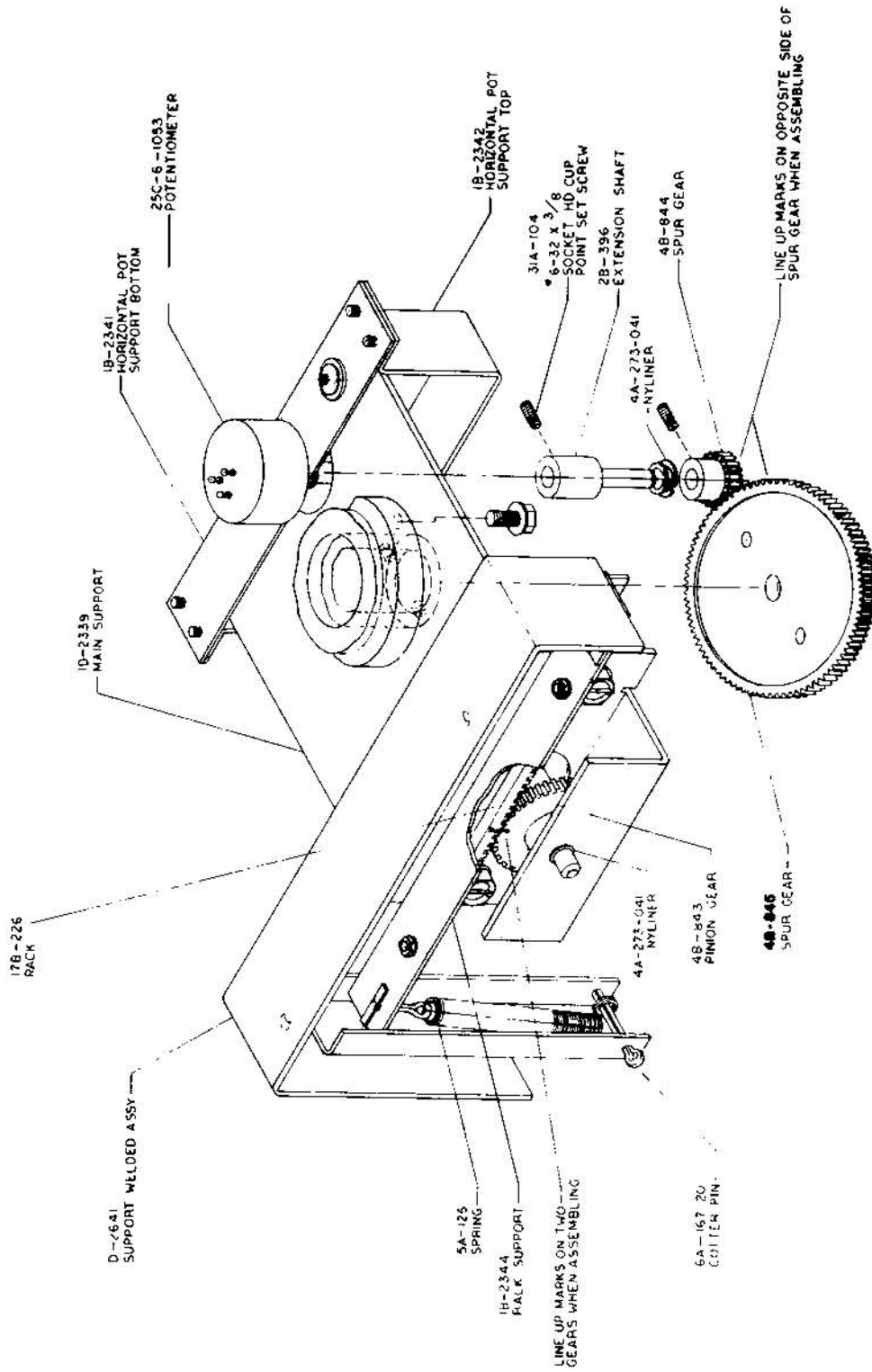
PS-1400 P.C.BOARD

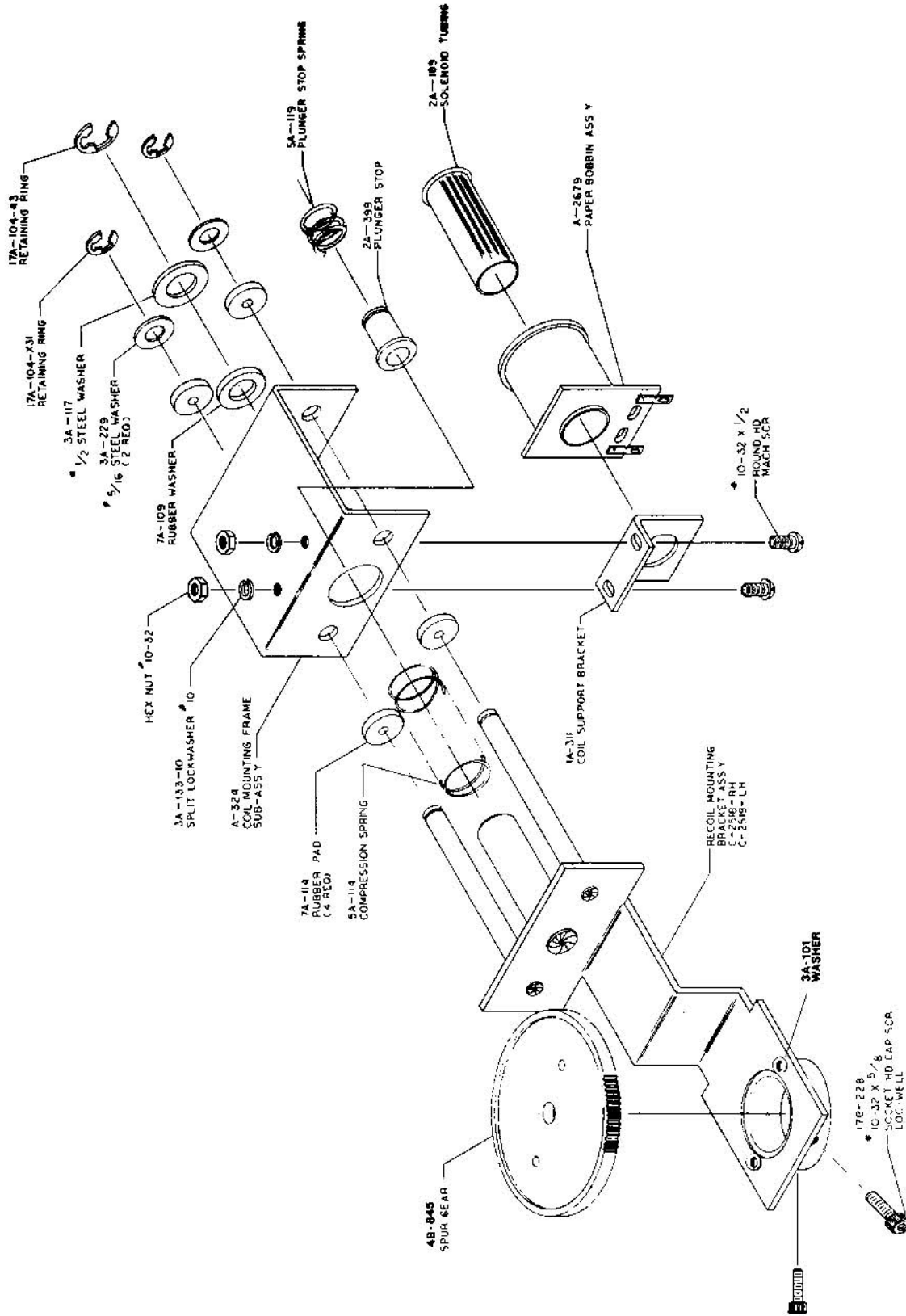


THIS SECTION OF P.C.BOARD
NOT USED FOR GREAT GUNS

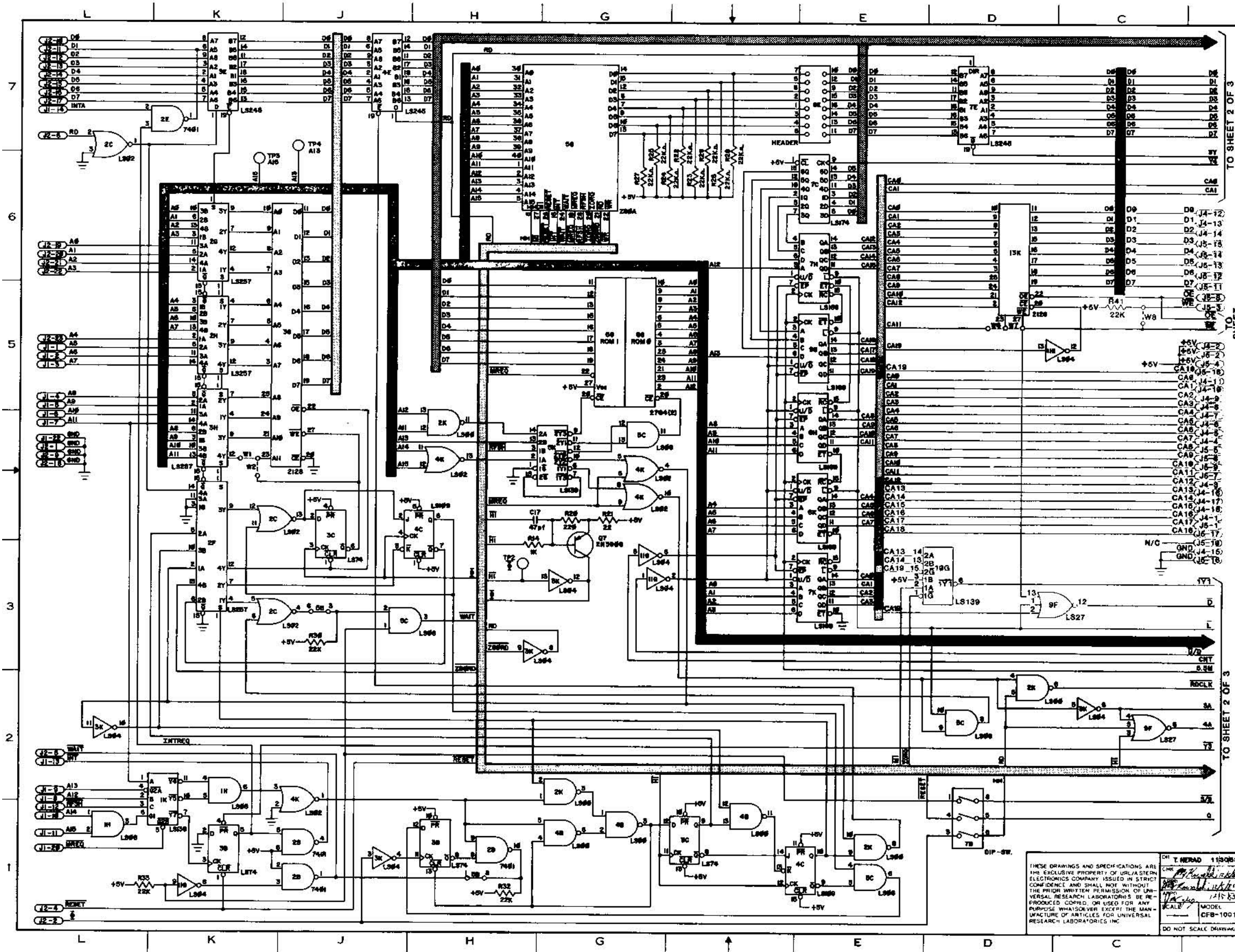








RECOIL MOUNTING ASSEMBLY



REVISIONS				
SYM	DESCRIPTION	DATE	CHK	APPRO
A	ISSUED E.I. 03048			

TO SHEET 2 OF 3

TO SHEET 2 OF 3

TO SHEET 2 OF 3

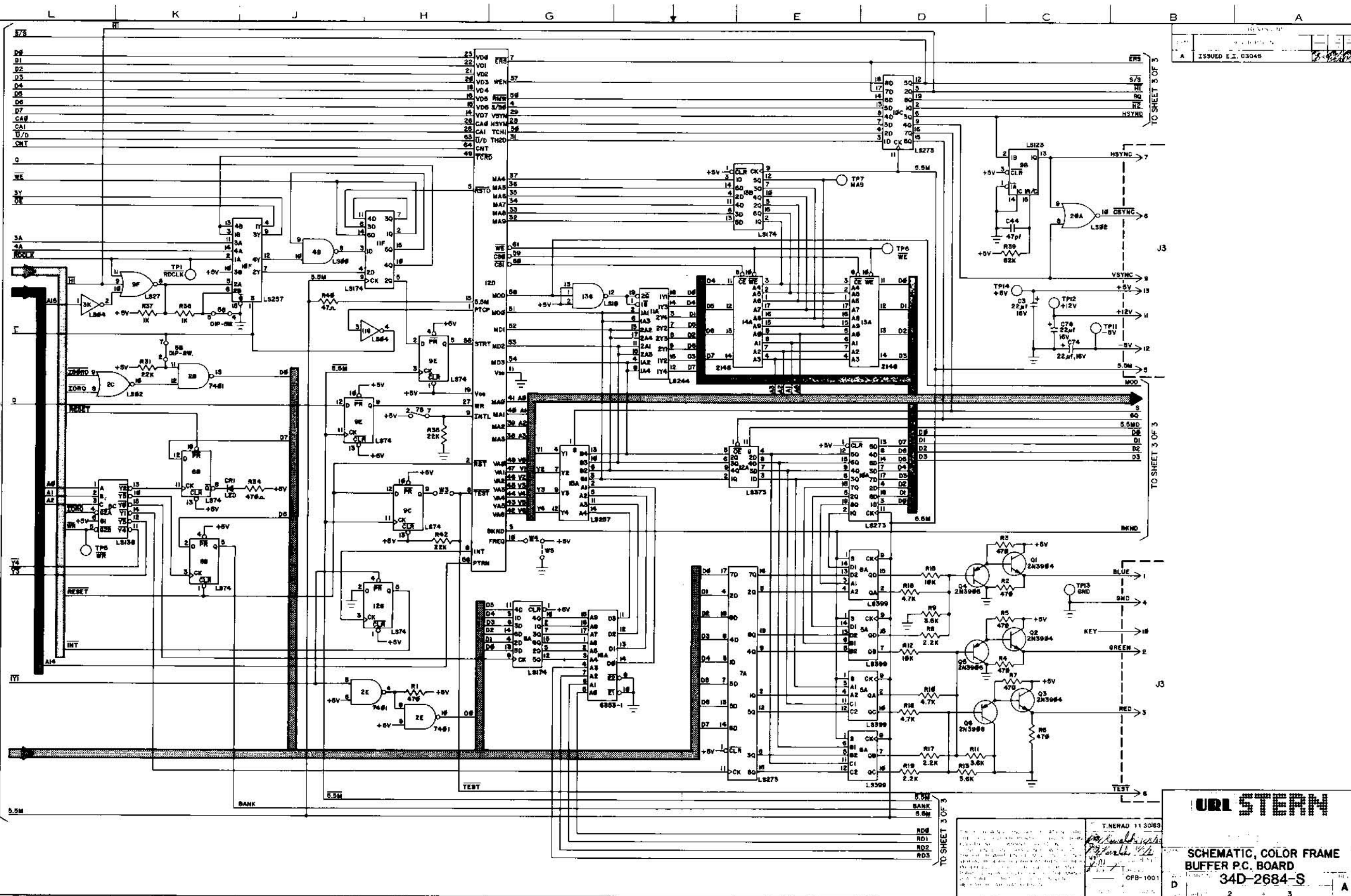
DR T. HERND 11/30/84
 THESE DRAWINGS AND SPECIFICATIONS ARE THE EXCLUSIVE PROPERTY OF URL/STERN ELECTRONICS COMPANY. ISSUED IN STRICT CONFIDENCE AND SHALL NOT BE REPRODUCED OR USED FOR ANY PURPOSE WHATSOEVER EXCEPT THE MANUFACTURE OF ARTICLES FOR UNIVERSAL RESEARCH LABORATORIES, INC.

URL/STERN
 170-111 UNIVERSITY RESEARCH LABORATORIES, INC.
 A SUBSIDIARY OF STERN ELECTRONICS
 700 CHASE AVENUE
 ELK GROVE VILLAGE, ILLINOIS 60007

NAME: SCHEMATIC, COLOR FRAME
 MODEL: CFB-1001
 PART NO: 34D-2684-S
 REV: A

DWG: D
 SIZE: SHEET 1 OF 3

ISSUED E.I. 03048



URL STERN

SCHEMATIC, COLOR FRAME
BUFFER P.C. BOARD
34D-2684-S

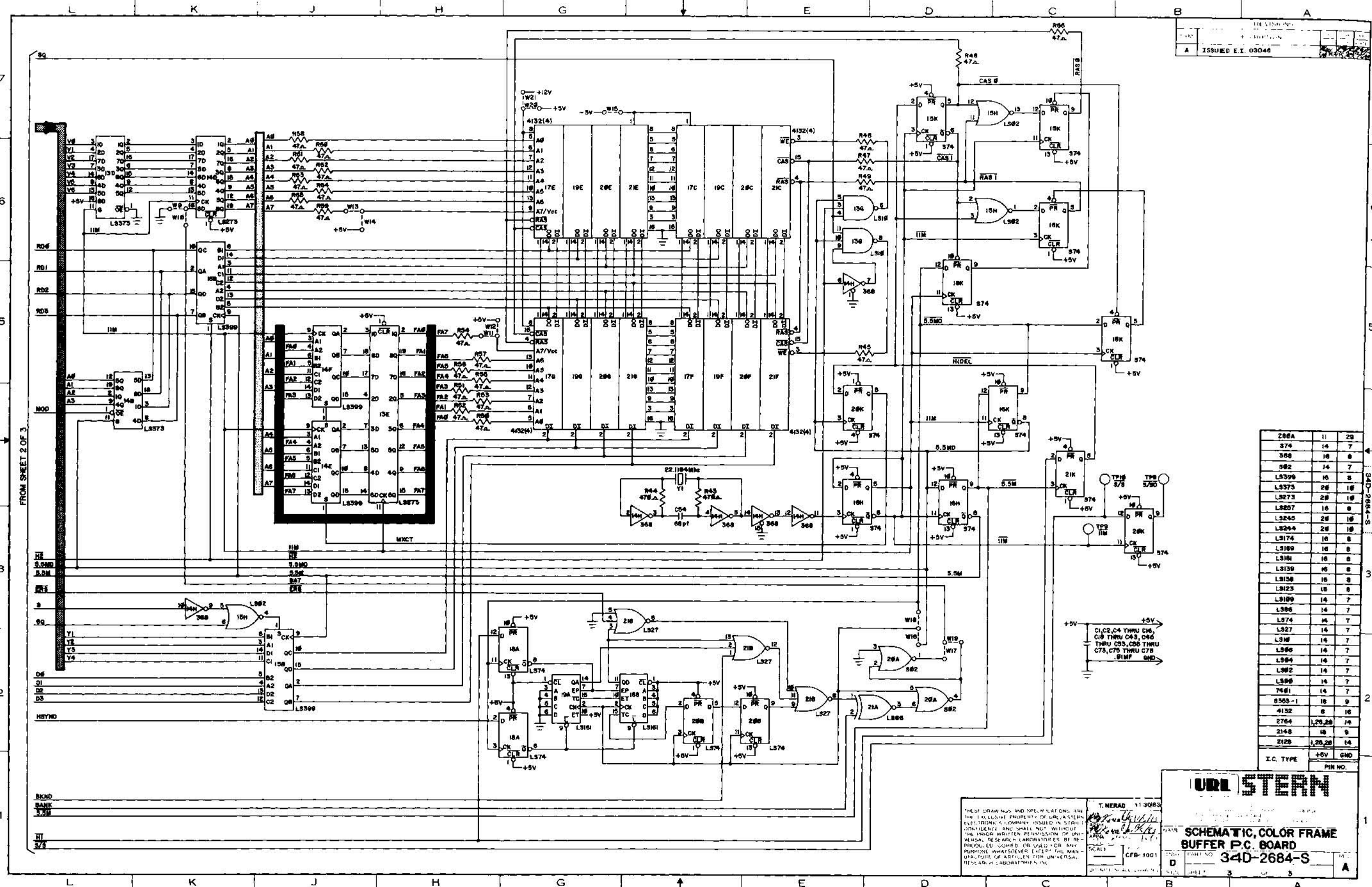
T. NERAD 11 3083
CFB-1001

TO SHEET 3 OF 3

FROM SHEET 1 OF 3

TO SHEET 2 OF 3

TO SHEET 3 OF 3



IC TYPE	+	-	+	-
286A	11	29		
374	14	7		
368	16	8		
392	14	7		
L5399	16	8		
L5375	26	16		
L5273	28	18		
L5207	16	8		
L5245	28	18		
L5244	28	18		
L5174	16	8		
L5189	16	8		
L5181	16	8		
L5139	16	8		
L5156	16	8		
L5123	16	8		
L5109	14	7		
L506	14	7		
L574	14	7		
L527	14	7		
L574	14	7		
L566	14	7		
L564	14	7		
L562	14	7		
L566	14	7		
7561	14	7		
8565-1	16	8		
4132	8	16		
2764	1,20,28	14		
2148	16	8		
2128	1,20,28	14		
			+5V	GND
				PIN NO.

T. NERAD 11 3083
 THESE DRAWINGS AND SPECIFICATIONS ARE THE EXCLUSIVE PROPERTY OF UNIV. STERN ELECTRONIC COMPANY ISSUED IN STRICT CONFIDENCE AND SHALL NOT BE REPRODUCED OR USED FOR ANY PURPOSE WHATSOEVER WITHOUT THE WRITTEN PERMISSION OF UNIV. STERN ELECTRONIC COMPANY. UNIV. STERN ELECTRONIC COMPANY, RESEARCH LABORATORIES, 100 UNIVERSITY AVENUE, NEW YORK, N.Y. 10003.

UNIV. STERN

SCHEMATIC, COLOR FRAME BUFFER P.C. BOARD

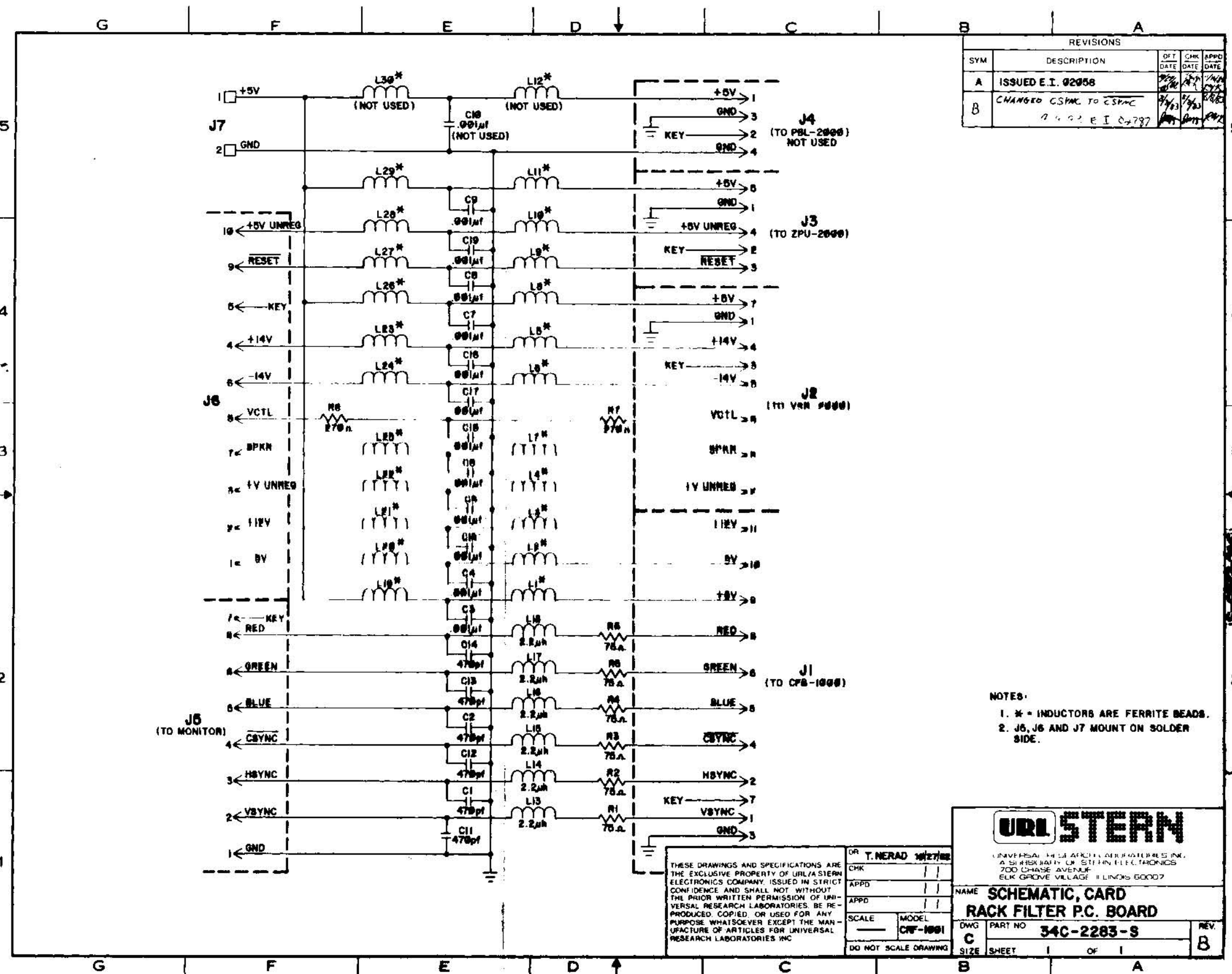
PART NO. **34D-2684-S**

SCALE: _____

DATE: _____

REV: _____

FROM SHEET 2 OF 3



REVISIONS				
SYM	DESCRIPTION	DET DATE	CHK DATE	APPD DATE
A	ISSUED E.I. 02058			
B	CHANGED CSPMC TO ESPMC 7 4 9 2 E I 0 2 7 9 7			

- NOTES:
- * - INDUCTORS ARE FERRITE BEADS.
 - J5, J6 AND J7 MOUNT ON SOLDER SIDE.

THESE DRAWINGS AND SPECIFICATIONS ARE THE EXCLUSIVE PROPERTY OF URL/ASTERN ELECTRONICS COMPANY. ISSUED IN STRICT CONFIDENCE AND SHALL NOT WITHOUT THE PRIOR WRITTEN PERMISSION OF UNIVERSAL RESEARCH LABORATORIES, BE REPRODUCED, COPIED, OR USED FOR ANY PURPOSE WHATSOEVER EXCEPT THE MANUFACTURE OF ARTICLES FOR UNIVERSAL RESEARCH LABORATORIES INC

OR T. NERAD 10/27/88

CHK

APPD

SCALE

MODEL

CWF-1001

DO NOT SCALE DRAWING

URL/ASTERN

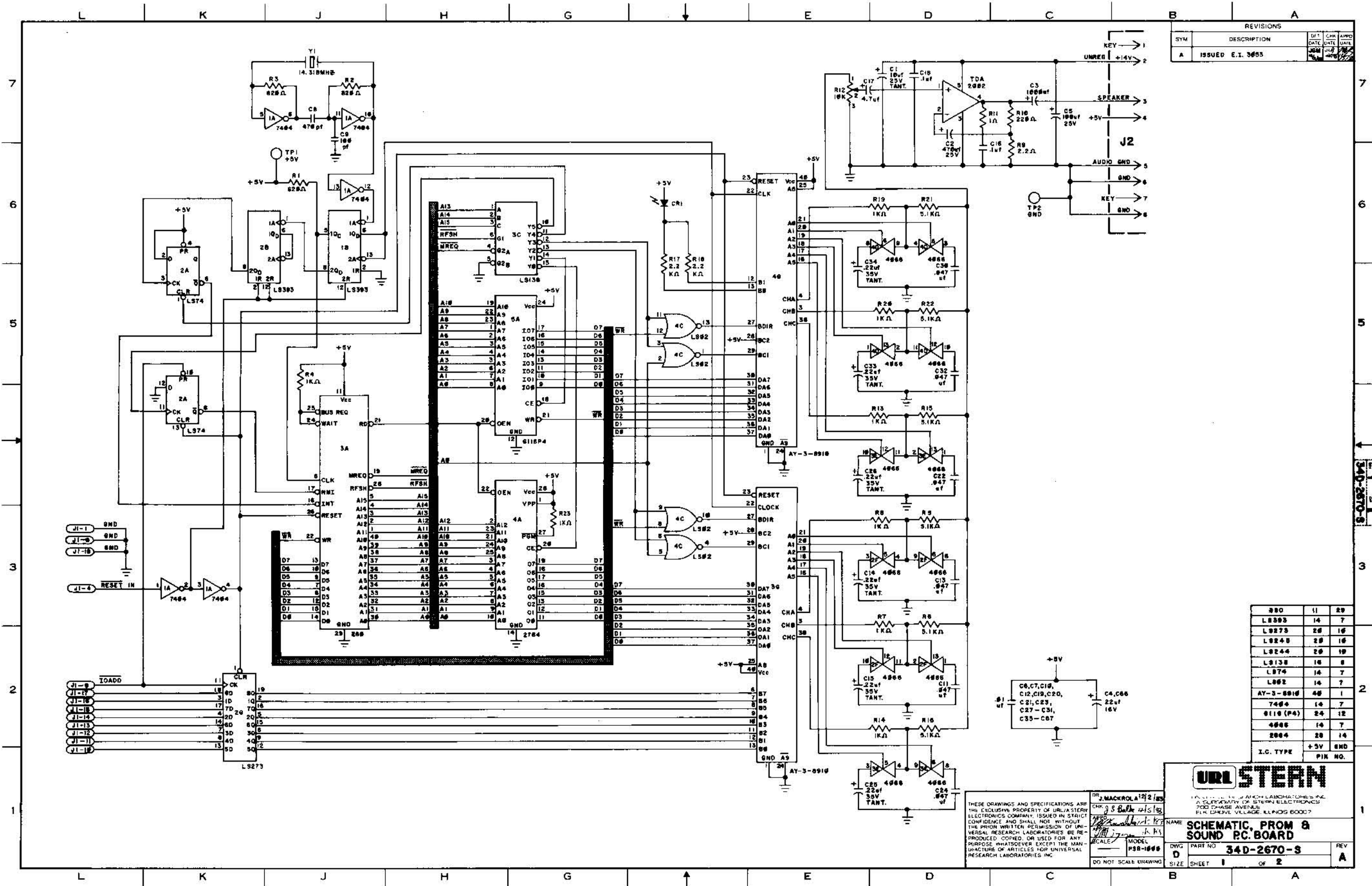
UNIVERSAL RESEARCH LABORATORIES INC.
A SUBSIDIARY OF STERN ELECTRONICS
700 CHASE AVENUE
ELK GROVE VILLAGE, ILLINOIS 60007

NAME: SCHEMATIC, CARD
RACK FILTER P.C. BOARD

DWG PART NO: 34C-2283-S

REV. B

SIZE SHEET 1 OF 1



REVISIONS				
SYM	DESCRIPTION	DATE	CHK	APPD
A	ISSUED E.I. 3655			

390	11	29
L8393	14	7
L9273	28	16
L9245	28	16
L9244	28	19
L9138	16	8
L974	14	7
L862	14	7
AY-3-8918	48	1
7404	14	7
8116 (P4)	24	12
4066	14	7
2064	28	14
I.C. TYPE	+3V	END
	PK	NO.

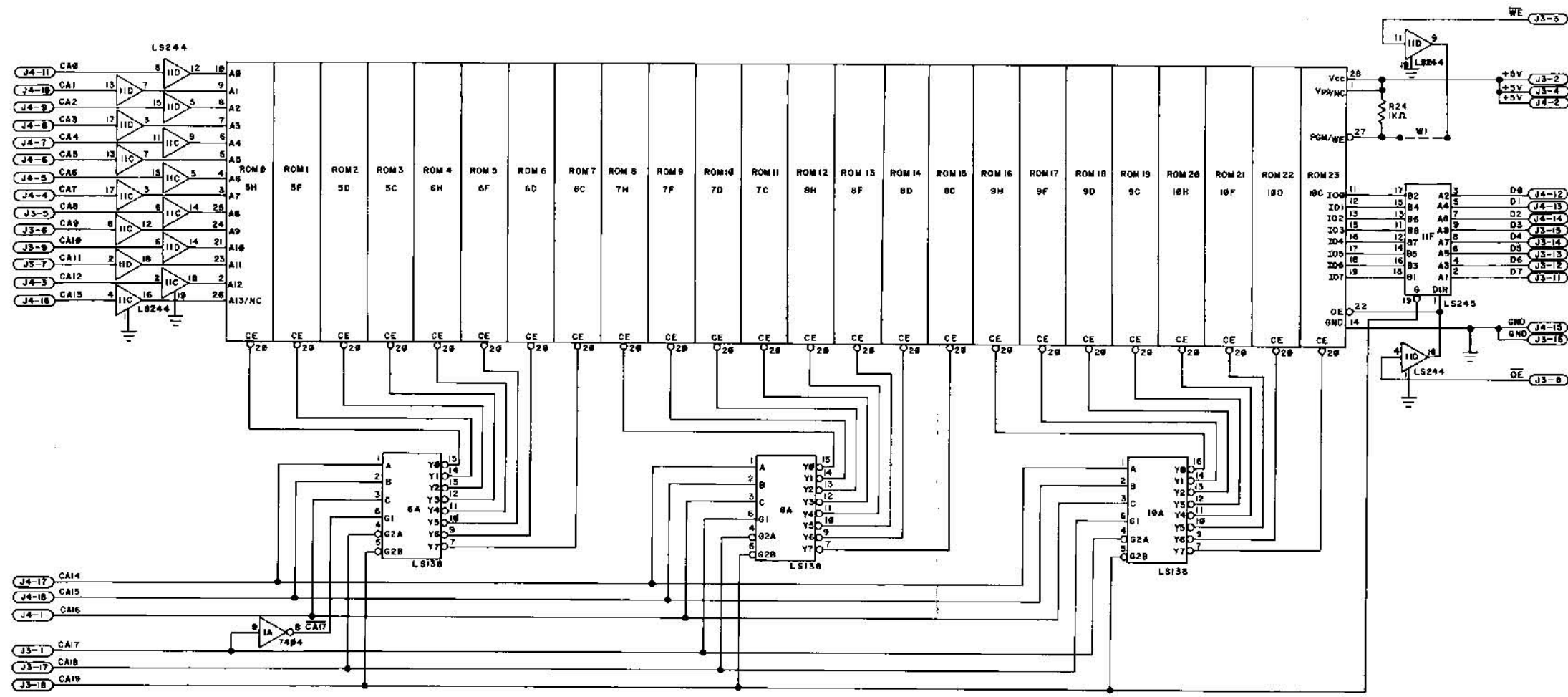
THESE DRAWINGS AND SPECIFICATIONS ARE THE EXCLUSIVE PROPERTY OF URL/STERN ELECTRONICS COMPANY. ISSUED IN STRICT CONFIDENCE AND SHALL NOT WITHOUT THE PRIOR WRITTEN PERMISSION OF UNIVERSAL RESEARCH LABORATORIES BE REPRODUCED, COPIED, OR USED FOR ANY PURPOSE WHATSOEVER EXCEPT THE MANUFACTURE OF ARTICLES FOR UNIVERSAL RESEARCH LABORATORIES, INC.

DR. J. MACKROLA 12/2/85
 CKR. J. S. BALK 11/18/85
 SCALE: MODEL: P38-1000
 DO NOT SCALE DRAWING

URL/STERN
 UNIVERSAL RESEARCH LABORATORIES, INC.
 A SUBSIDIARY OF STERN ELECTRONICS
 700 CHASE AVENUE
 ELK GROVE VILLAGE, ILLINOIS 60007

NAME: SCHEMATIC, PROM 8 SOUND PC BOARD
 DWG PART NO: 34D-2670-S
 SIZE SHEET 1 OF 2 REV A

REVISIONS			
SYM	DESCRIPTION	DATE	APPD
A	ISSUED E. I. 3053	12/18/83	



THESE DRAWINGS AND SPECIFICATIONS ARE THE EXCLUSIVE PROPERTY OF UNIVERSAL ELECTRONICS COMPANY. ISSUED IN STRICT CONFIDENCE AND SHALL NOT BE REPRODUCED OR USED FOR ANY PURPOSE WHATSOEVER WITHOUT THE WRITTEN PERMISSION OF UNIVERSAL RESEARCH LABORATORIES. REPRODUCTION OR USE FOR ANY PURPOSE WHATSOEVER EXCEPT THE MANUFACTURE OF ARTICLES FOR UNIVERSAL RESEARCH LABORATORIES IS PROHIBITED.

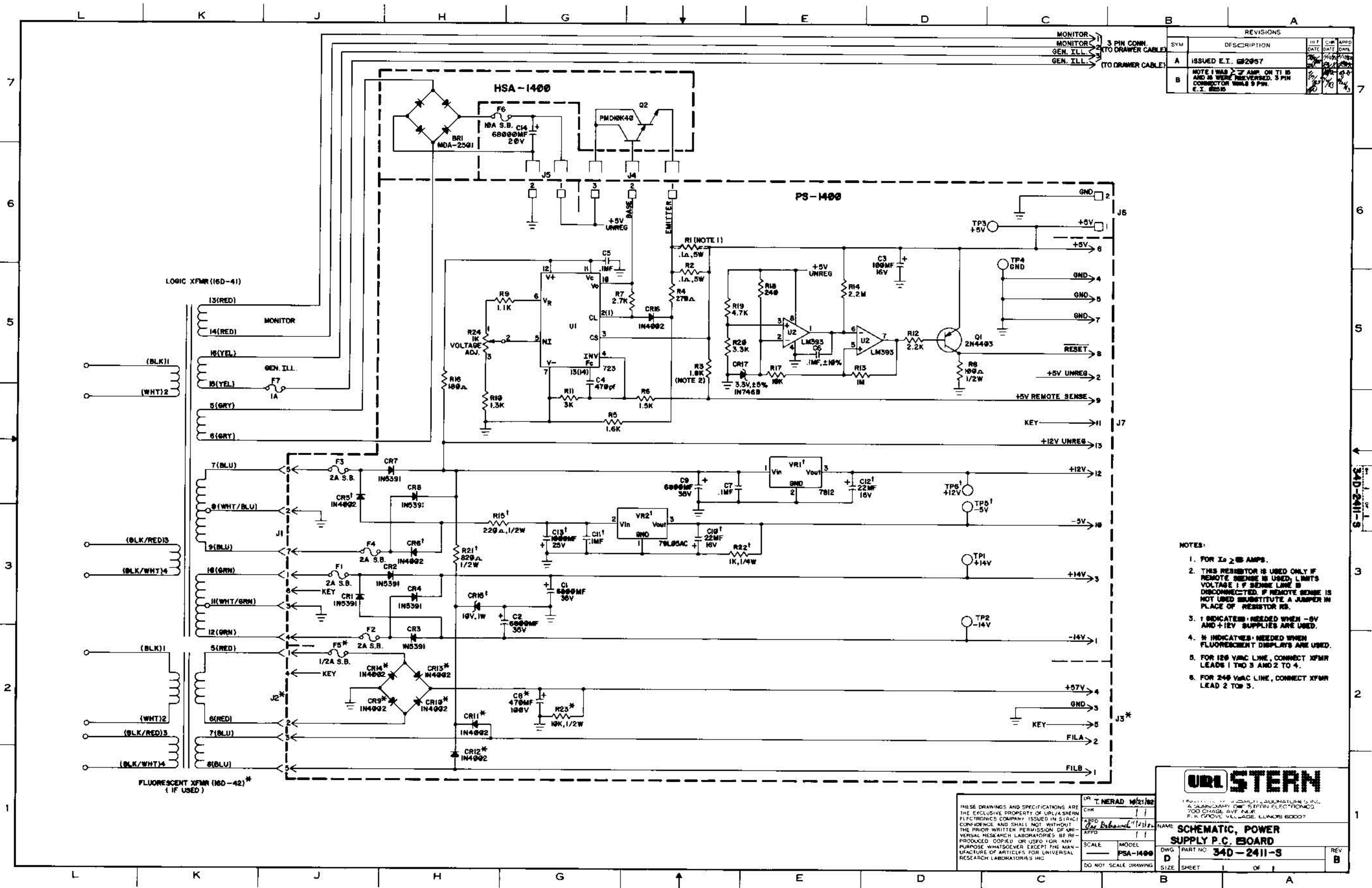
UNIVERSAL

UNIVERSAL RESEARCH LABORATORIES
 400 CHERRY AVENUE
 ELM CREEK, COLORADO 80022

NAME: **SCHEMATIC, PROM 8 SOUND P.C. BOARD**

DWG: **D** PART NO: **34D-2670-S** REV: **A**

SCALE: **PSB-1000** SHEET: **2** OF: **2**



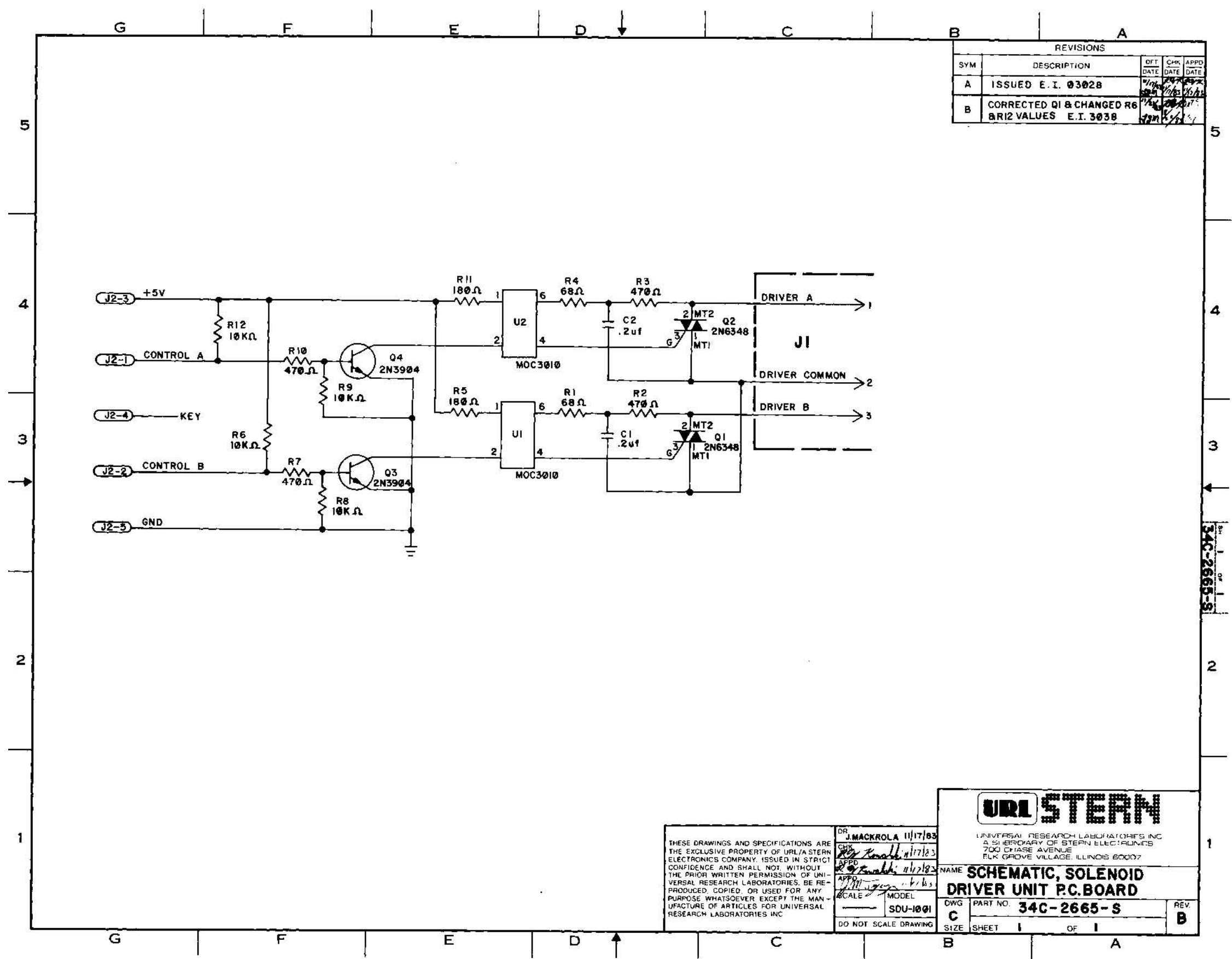
REVISIONS				
SYM	DESCRIPTION	ISSUED DATE	CHK'D	APP'D
A	ISSUED E.T. 02/29/57			
B	NOTE 1 WAS 27 AMP. ON T1 IS AND IS NOW REVERSED. 3 PIN CONNECTOR WOULD 9 PIN. E.T. 02/29/57			

- NOTES:
1. FOR 120 VAC.
 2. THIS RESISTOR IS USED ONLY IF REMOTE SENSE IS USED. LIMITS VOLTAGE IF SENSE LINE IS DISCONNECTED. IF REMOTE SENSE IS NOT USED SUBSTITUTE A JUMPER IN PLACE OF RESISTOR R8.
 3. * INDICATES * NEEDED WHEN -5V AND +12V SUPPLIES ARE USED.
 4. * INDICATES * NEEDED WHEN FLUORESCENT DISPLAYS ARE USED.
 5. FOR 120 VAC LINE, CONNECT XFMR LEADS 1 TO 3 AND 2 TO 4.
 6. FOR 240 VAC LINE, CONNECT XFMR LEAD 2 TO 3.

DR T. NERAD 10/21/52
 CHK
 APP'D *Bob Debow* 11/13/52
 SCALE MODEL
 PSA-1400
 DO NOT SCALE DRAWING

URL STERN
 UNIVERSAL RESEARCH LABORATORIES INC.
 A SUBSIDIARY OF SIFRIN ELECTRONICS
 700 CHASE AVE. #4 E.
 P.O. BOX 1144, LINDEN, N.J. 07036

NAME: SCHEMATIC, POWER SUPPLY P.C. BOARD
 DWG PART NO: 340-2411-S
 REV B



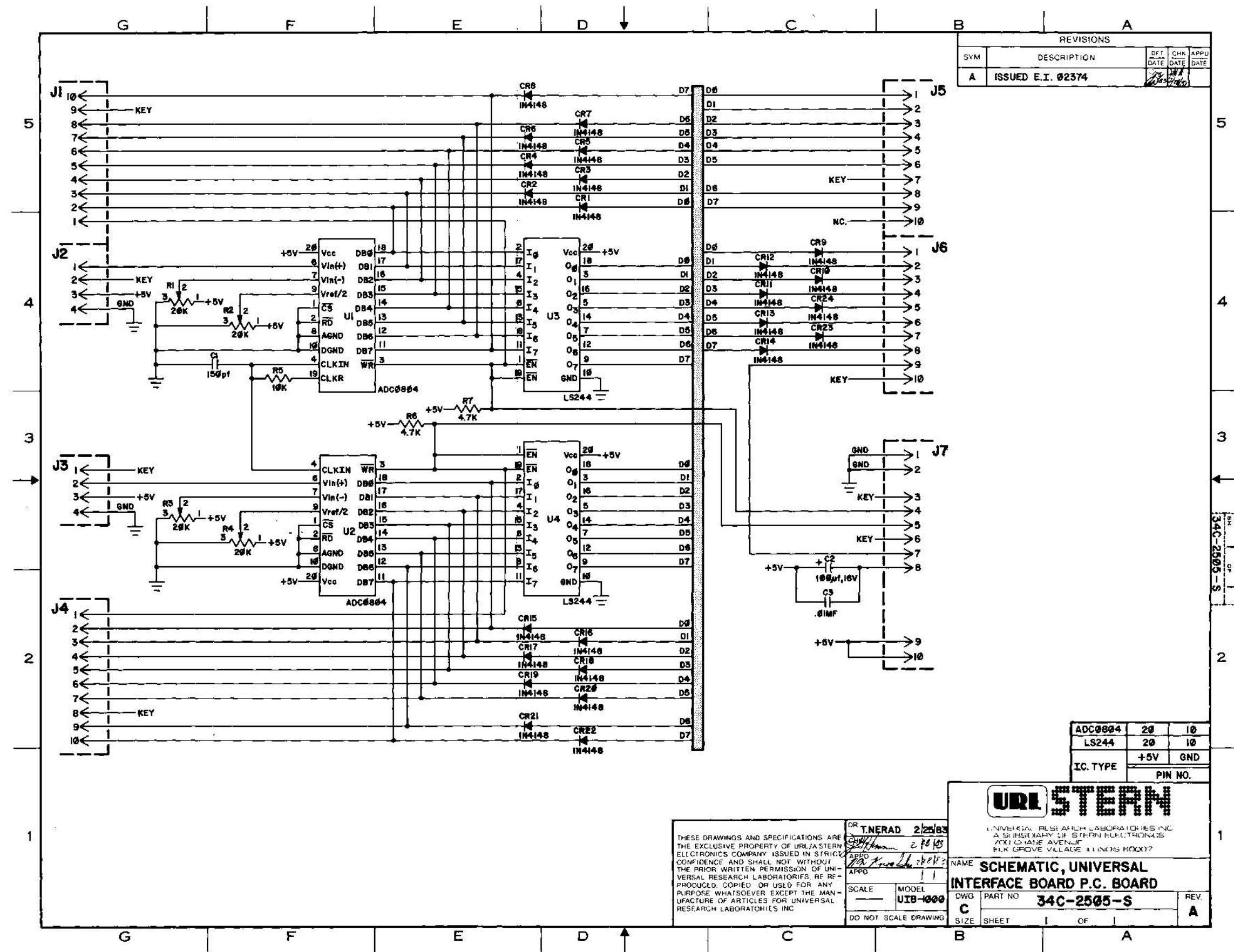
REVISIONS				
SYM	DESCRIPTION	DFT DATE	CHK DATE	APPD DATE
A	ISSUED E. I. 03028			
B	CORRECTED Q1 & CHANGED R6 & R12 VALUES E. I. 3038			

DR J. MACKROLA 11/17/83
 CKD [Signature]
 APPD [Signature]
 SCALE MODEL
 SDU-1001
 DO NOT SCALE DRAWING

URL STERN
 UNIVERSAL RESEARCH LABORATORIES INC
 A SUBSIDIARY OF STERN ELECTRONICS
 700 CHASE AVENUE
 ELK GROVE VILLAGE, ILLINOIS 60007

NAME **SCHEMATIC, SOLENOID DRIVER UNIT P.C. BOARD**
 DWG PART NO. **34C-2665-S** REV. **B**
 SIZE SHEET **1** OF **1**

34C-2665-S



REVISIONS				
SYM	DESCRIPTION	DFI DATE	CHK DATE	APPD DATE
A	ISSUED E.I. 02374			

ADC0804	20	10
LS244	20	10
IC. TYPE	+5V	GND
	PIN NO.	

DR T.NERAD 2/25/83
 APPROVED [Signature] 2/28/83
 APPROVED [Signature] 2/28/83
 SCALE: _____ MODEL: UIB-1000
 DO NOT SCALE DRAWING

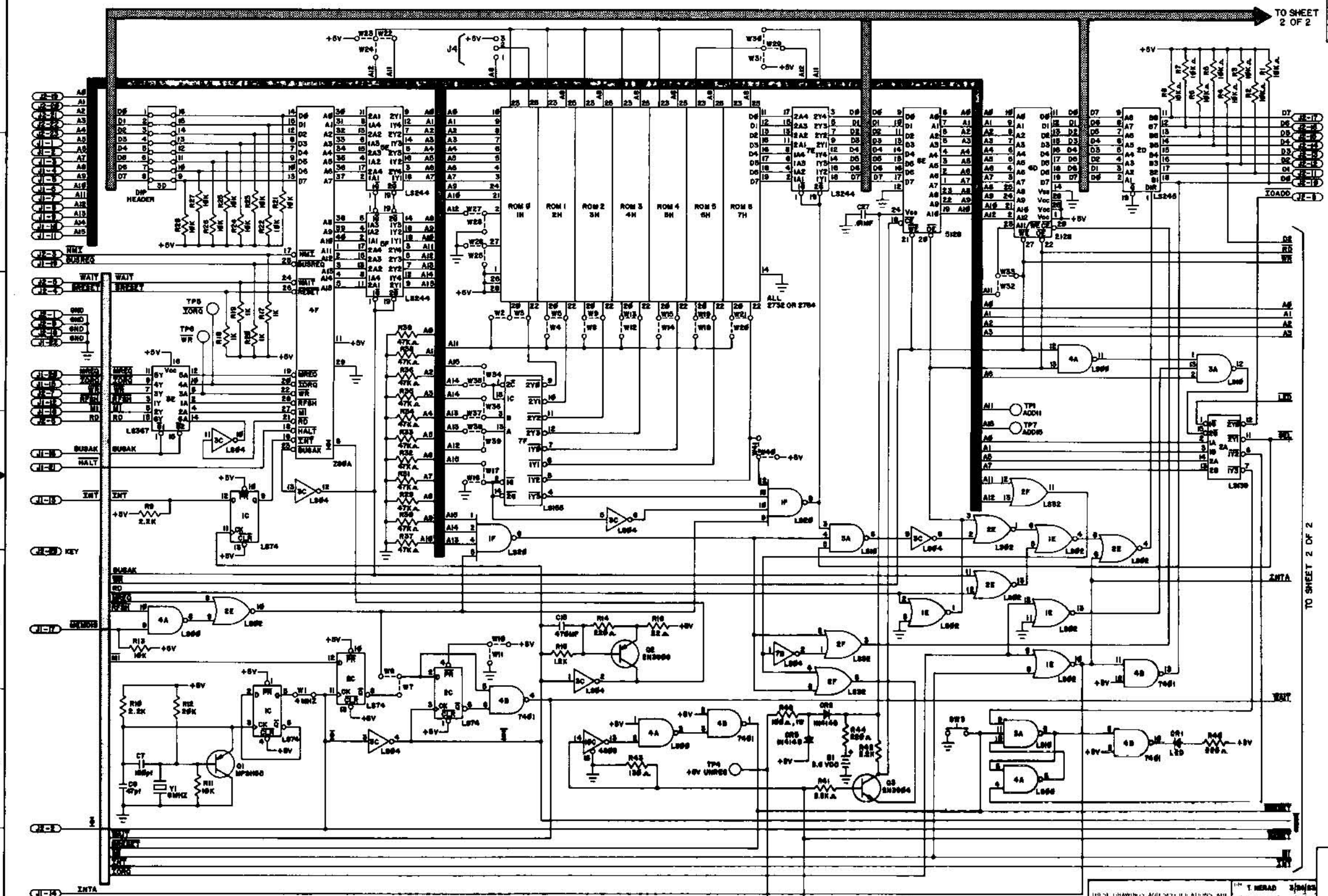
URL STERN

UNIVERSAL RESEARCH LABORATORIES INC
 A SUBSIDIARY OF STERN ELECTRONICS
 7001 CHASE AVENUE
 ELK GROVE VILLAGE, ILLINOIS 60007

NAME: SCHEMATIC, UNIVERSAL
 INTERFACE BOARD P.C. BOARD
 DWG: PART NO: 34C-2505-S
 C: SHEET 1 OF 1
 REV: A

L K J H G E D C B A

7
6
5
3
2
1



REVISIONS			
SYM	DESCRIPTION	DATE	APP'D
A	ISSUED E.I. 62448	1/15/64	

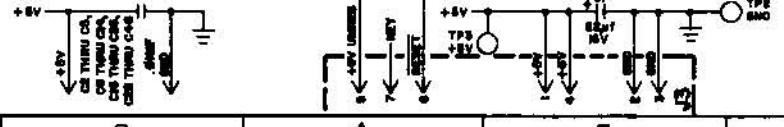
TO SHEET 2 OF 2

URI STERN

NAME: SCHEMATIC, ZENTRAL
 PROCESSOR UNIT P.C. BOARD
 PART NO: 340-924-B
 REV: A

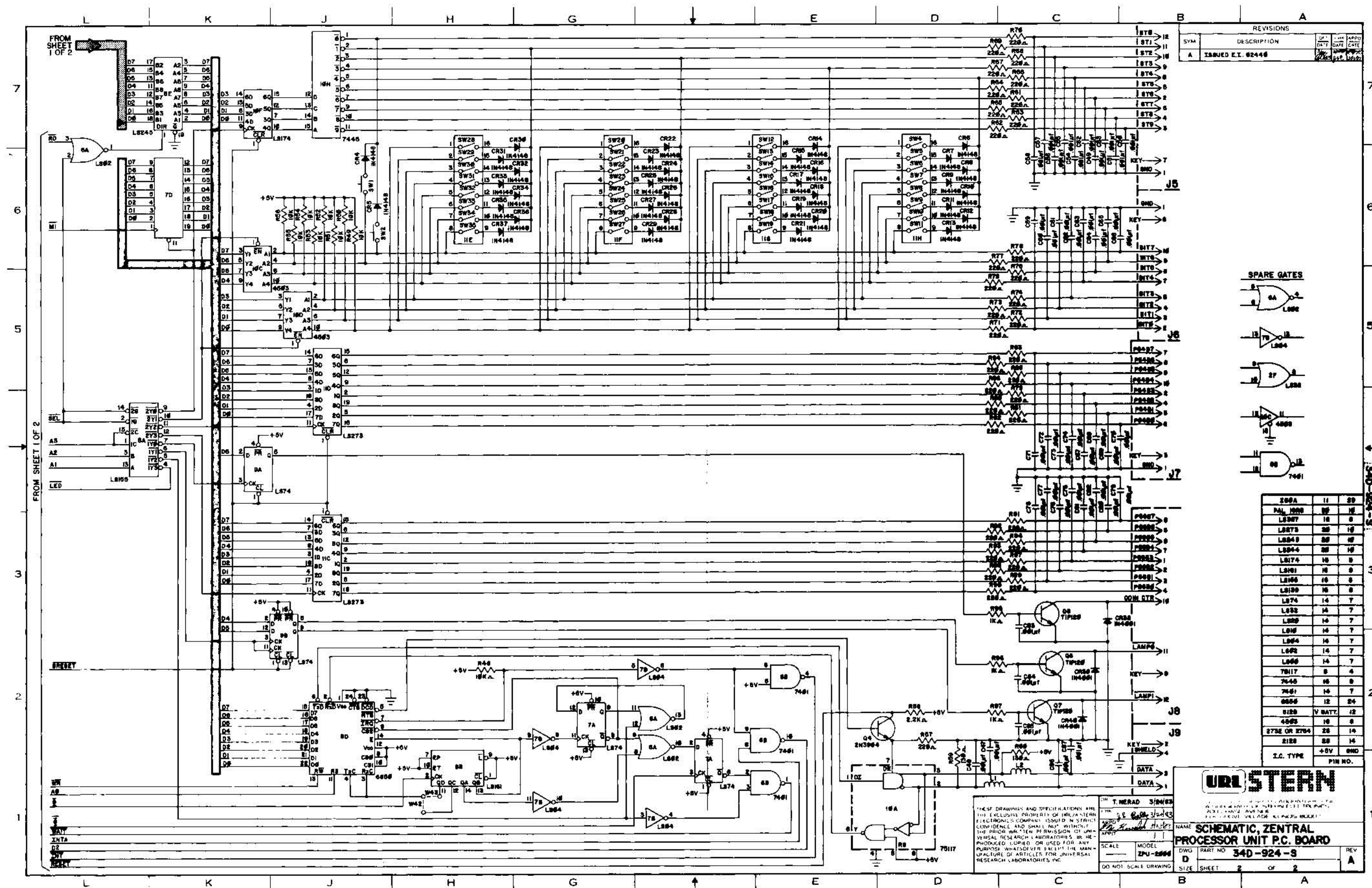
SCALE: MODEL: ZPU-0000
 SIZE: SHEET OF 2

DO NOT SCALE DRAWING

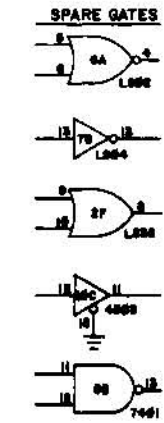


TO SHEET 2 OF 2

TO SHEET 2 OF 2



REVISIONS			
SYM	DESCRIPTION	DATE	APP'D
A	ISSUED E.I. 62446	12/22/54	W.P.S.



QTY	DESCRIPTION	REV
200A	11	20
PA1	100	10
LS245	10	0
LS247	10	0
LS273	20	10
LS248	20	10
LS244	20	10
LS174	10	0
LS181	10	0
LS166	10	0
LS199	10	0
LS174	14	7
LS22	14	7
LS20	14	7
LS16	14	7
LS24	14	7
LS22	14	7
LS20	14	7
LS16	14	7
7401	8	4
7401	14	7
6000	12	24
6100	V BATT.	12
4000	10	0
2706 OR 2704	20	14
2128	20	14
I.C. TYPE	+5V GND	PIN NO.

THESE DRAWINGS AND SPECIFICATIONS ARE THE EXCLUSIVE PROPERTY OF UNIVERSAL RESEARCH LABORATORIES, INC. AND SHALL REMAIN CONFIDENTIAL AND SHALL NOT BE REPRODUCED OR USED FOR ANY PURPOSE WHATSOEVER WITHOUT THE WRITTEN PERMISSION OF UNIVERSAL RESEARCH LABORATORIES, INC. UNLESS OTHERWISE SPECIFIED.

UNIVERSAL RESEARCH LABORATORIES, INC.
1100 N. W. 10th St., Ft. Lauderdale, Fla. 33304

URL STERN

NAME: SCHEMATIC, ZENTRAL
PROCESSOR UNIT P.C. BOARD

DWG PART NO: 340-924-S

SCALE: 1:1

REV: A

SIZE: SHEET 2 OF 2