

ZOAR



HOW TO PLAY "ZOAR"

- The year is 2020 AD
- "ZOAR" is one of the last survivors of Federation defenses. HE is the best pilot in the swiftist and most deadly aircraft in a future world.
- "ZOAR" is flying an aircraft that will give you 3-dimensional play. The joy stick moves the craft from left to right and raises or lowers altitude.
- The LOWER ZOAR flies the faster he attacks.
- The fire button will shoot rockets at the Dynasty airships. They, too, are changing altitude.
- The bomb button will destroy Dynasty vessels and ground installations.
- TOUCH landing strip for extra points!
- USE accelerate button for additional speed.

Large Red Airship	--500 points
Small Airship	--300 points
PT Boats	-- 80 points
Submarine	--100 points
Destroyer	--100 points
Aircraft Carrier	--500 points
Control Tower	-- 50 points
Missile Launcher	-- 80 points
Fuel Dump	--150 points
Missile Silo	--300 points

I. POWER SUPPLY

+5V 5A

+12V 1A (INCLUSIVE OF AUDIO AMP.)

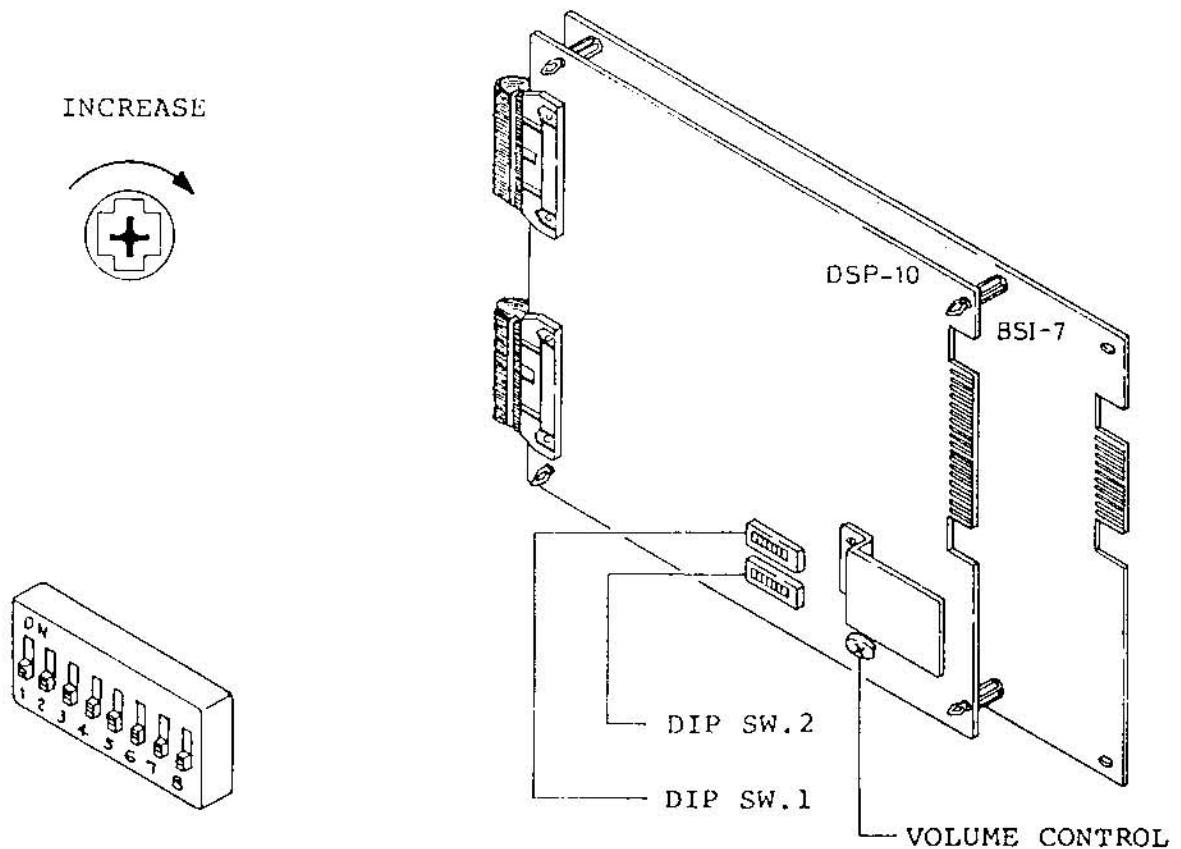
II. CRT MONITOR

- 1) COLOR SIGNAL R.G.B. SEPARATION
BALCK 0 - +2V
IMAGE SIGNAL +2.5V - +4V
- 2) SYNCHRONIZE SIGNAL COMPOSITE
0 0 - 0.5V
1 +3V - +5V

3) SCREEN IMAGE SIZE

IMAGE CAN BE SHRUNK BOTH HORIZONTALLY & VERTICALLY BY 10%. ADJUST MONITOR TO WIDEN THE SCREEN IMAGE.

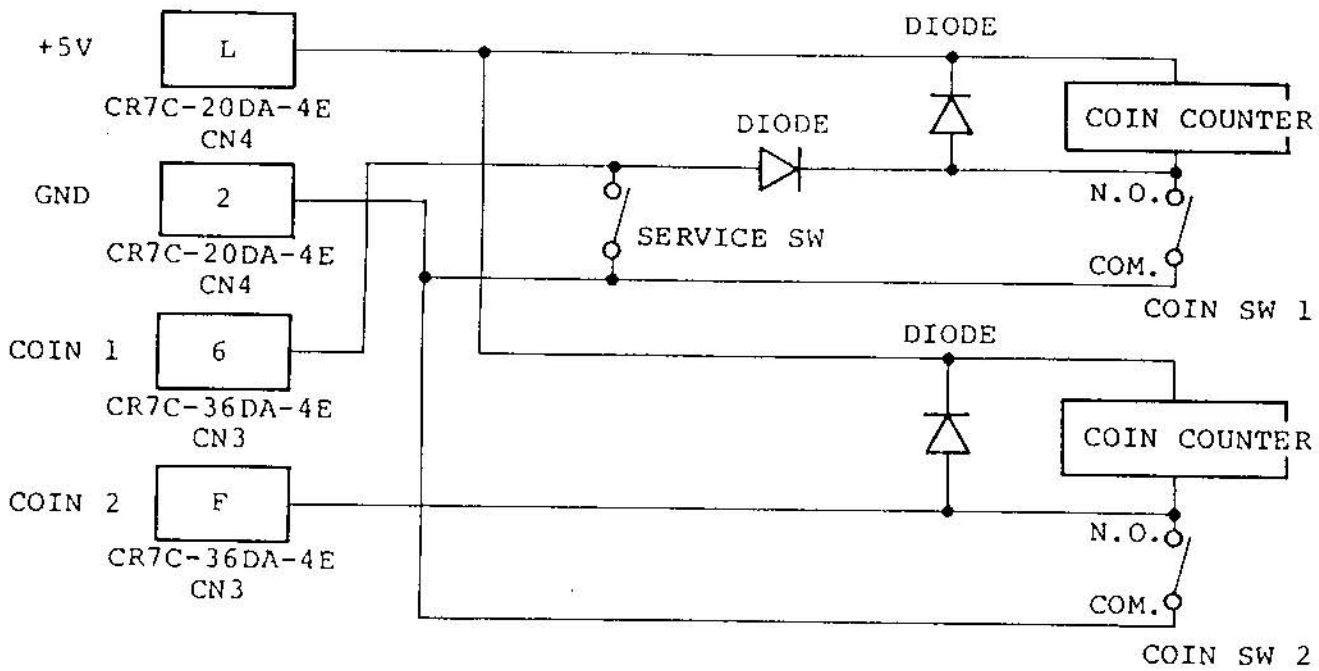
III VOLUME CONTROL



IV. EXAMPLE OF STANDARD CONNECTION

Terminal Nos.

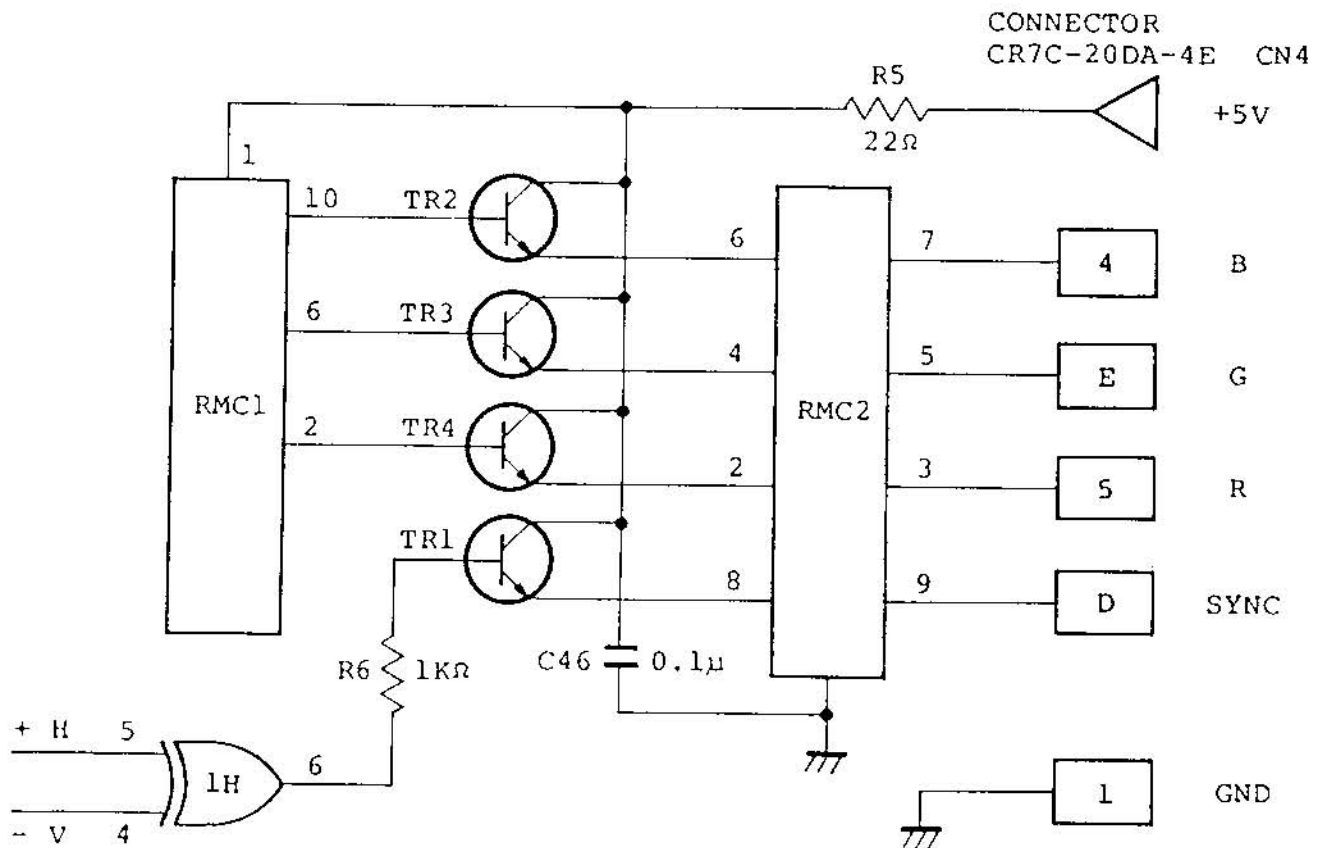
1) TWO(2) COIN SWITCHES CAN BE INSTALLED.



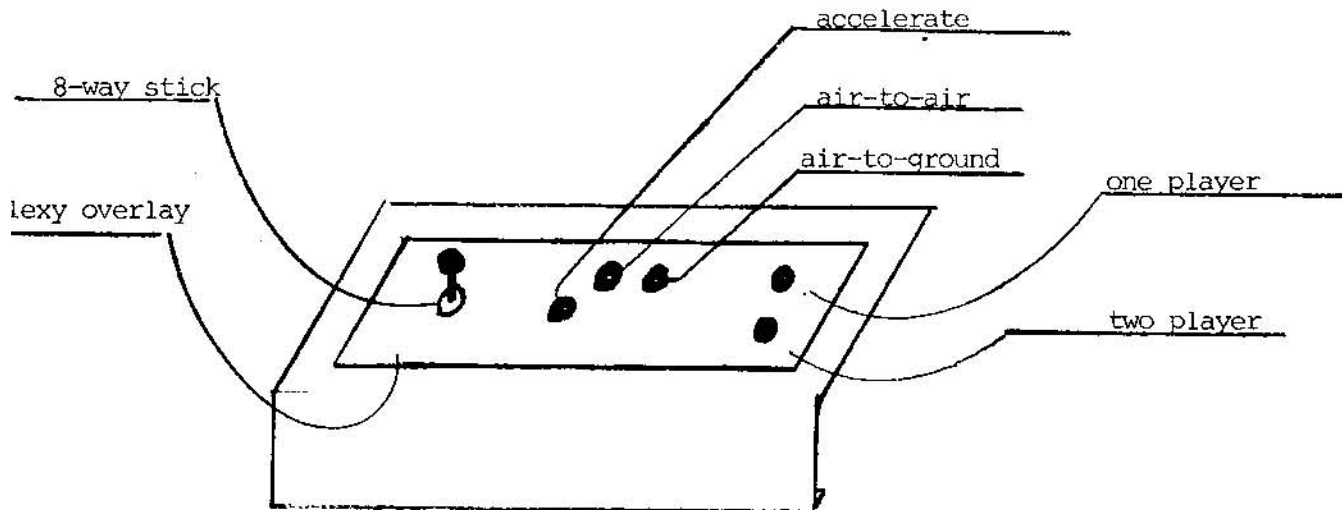
2) MONITOR CONNECTION

MONITOR IN-PUT COMPOSITE SIGNALS- HORIZ/VERT ON +5V
CIRCUIT CAN BE CONNECTED.

CIRCUIT DIAGRAM OF EACH SIGNAL SHOWN BELOW.



CONTROL PANEL



- * be certain that dip switch settings are correctly positioned since there is an unused option to eliminate the accelerate button and separate air-to-air /air-to-ground buttons.

8 way stick

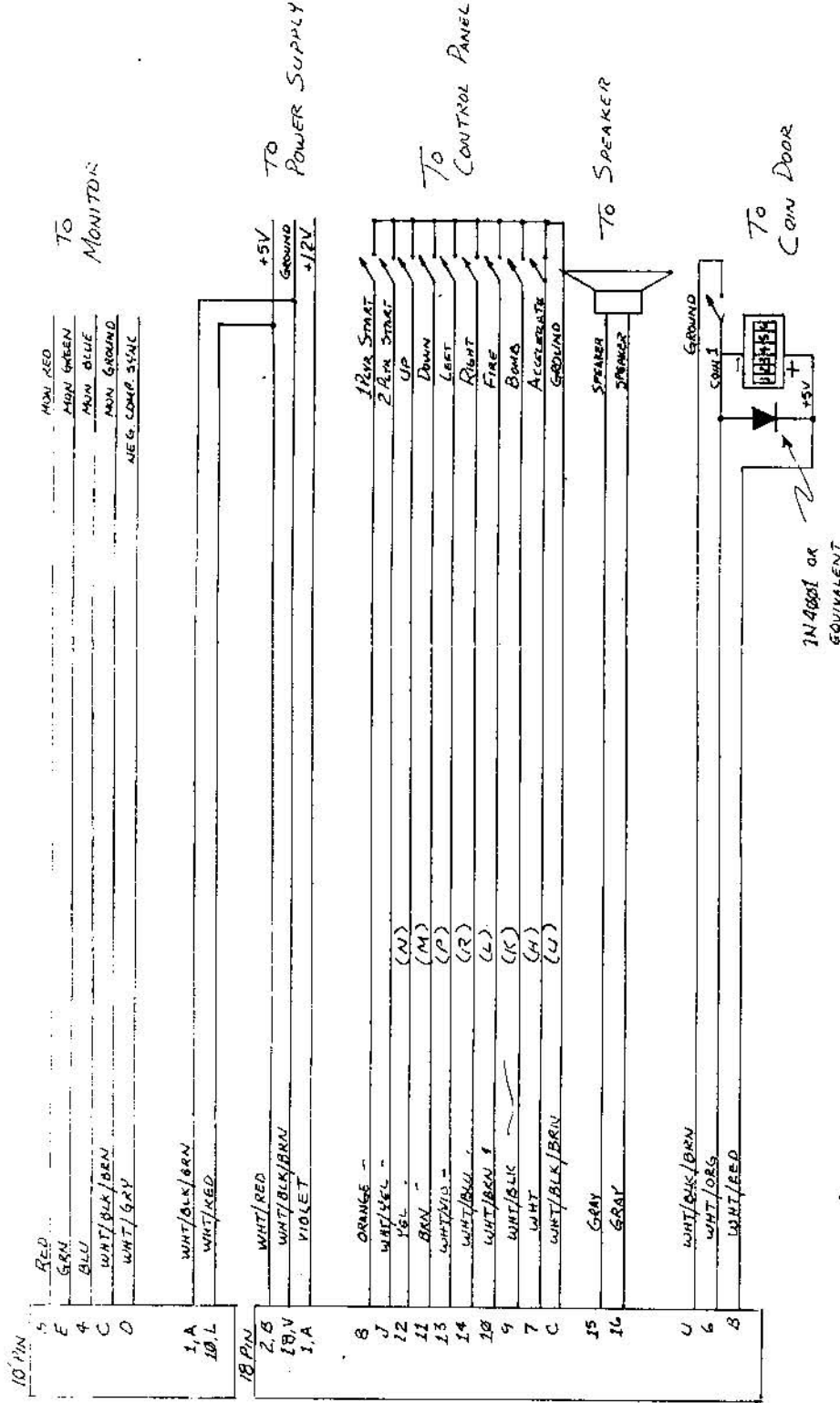
LEVER	PLAYERS CRAFT
left	left
right	right
up	low
down	high

- * FOR COCKTAIL TABLE: up/down movement is reversed when #7 key on dip switch #1 is turned off.
- * Accelerate button allows swifter left/right and high/low movement.
- * air-to-air button shoots opposing airplanes
- * air-to-ground button bombs ships & ground targets.



DIP SWITCH SETTINGS

DIP SWITCH I					DIP SWITCH II						
1	COIN SELECTOR 1				1	OFF	ON	ACCREDITED AIRCRAFT			
	1	OFF	ON	OFF		ON	3	5			
	2	2	OFF	OFF		ON	ON				
	Coin	1	1	1		2					
2	Credit	1	2	3	1	BONUS POINTS					
	3	OFF	ON	OFF	ON	2	2	OFF	ON	OFF	ON
	4	OFF	OFF	ON	ON	3	3	OFF	OFF	ON	ON
	Coin	1	1	1	2	3	5000	10000	15000	20000	
3	Credit	1	2	3	1		PTS	PTS	PTS	PTS	
	COIN SELECTOR 2				4	OFF	ON	EASY		ON	DIFFICULT
	3	OFF	ON	OFF		ON					
	4	OFF	OFF	ON		ON					
Coin	1	1	1	2							
4	Credit	1	2	3	1	5	OFF	ON		PANEL B	
	5	OFF	DON'T CHANGE			6	OFF	DON'T CHANGE			
	6	OFF	DON'T CHANGE			7	OFF	DON'T CHANGE			
	7	OFF	ON	CONTROL PANEL		8	OFF	DON'T CHANGE			
5	OFF	DON'T CHANGE			6	OFF	DON'T CHANGE				
	6	OFF	DON'T CHANGE								
6	OFF	DON'T CHANGE			7	OFF	DON'T CHANGE				
	7	OFF	ON	CONTROL PANEL							
7	OFF	ON	CONTROL PANEL		8	OFF	DON'T CHANGE				
	TABLE	UPRIGHT									
8	OFF	ON	SCREEN								
	TABLE	UPRIGHT									



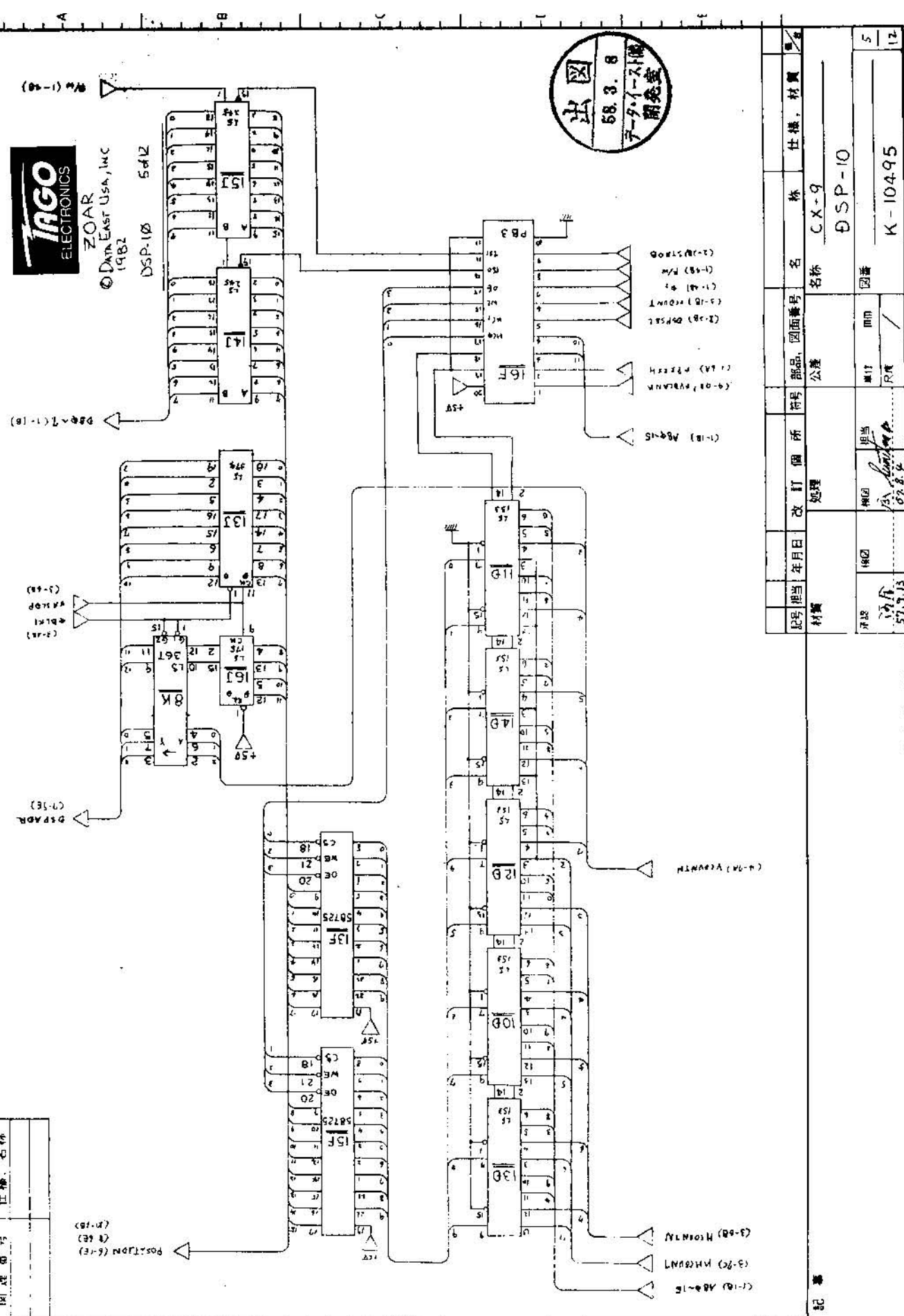
NOTE: NUMBERS SIDE OF CARD EDGE CONNECTORS
 GO TO COMPONENT SIDE OF PCB,
 LETTERS SIDE OF CARD EDGE CONNECTORS
 GO TO SOLDER SIDE OF PCB.

CORRESPONDING PINS FOR CONTROL PANEL 2
 ON COCKTAIL CABINET ARE IN () PARENTHESES

TAGO ELECTRONICS
 ZOAR HARNESS
 T. DELGADO
 © 1982 DATA EAST USA, INC



ZOAR
DATA EAST USA, INC
1982
DSP-10 5412



出 58.3.8
データ・イースト
閉発室

閉発番号	仕様	名称

POSITION (6-1E)
(7-1E)
(7-1E)

(1-1E) AB-15
(2-0E) PVRANK
(1-1A) PVRANK
(2-1E) PVRANK
(1-1E) PVRANK
(1-1E) PVRANK

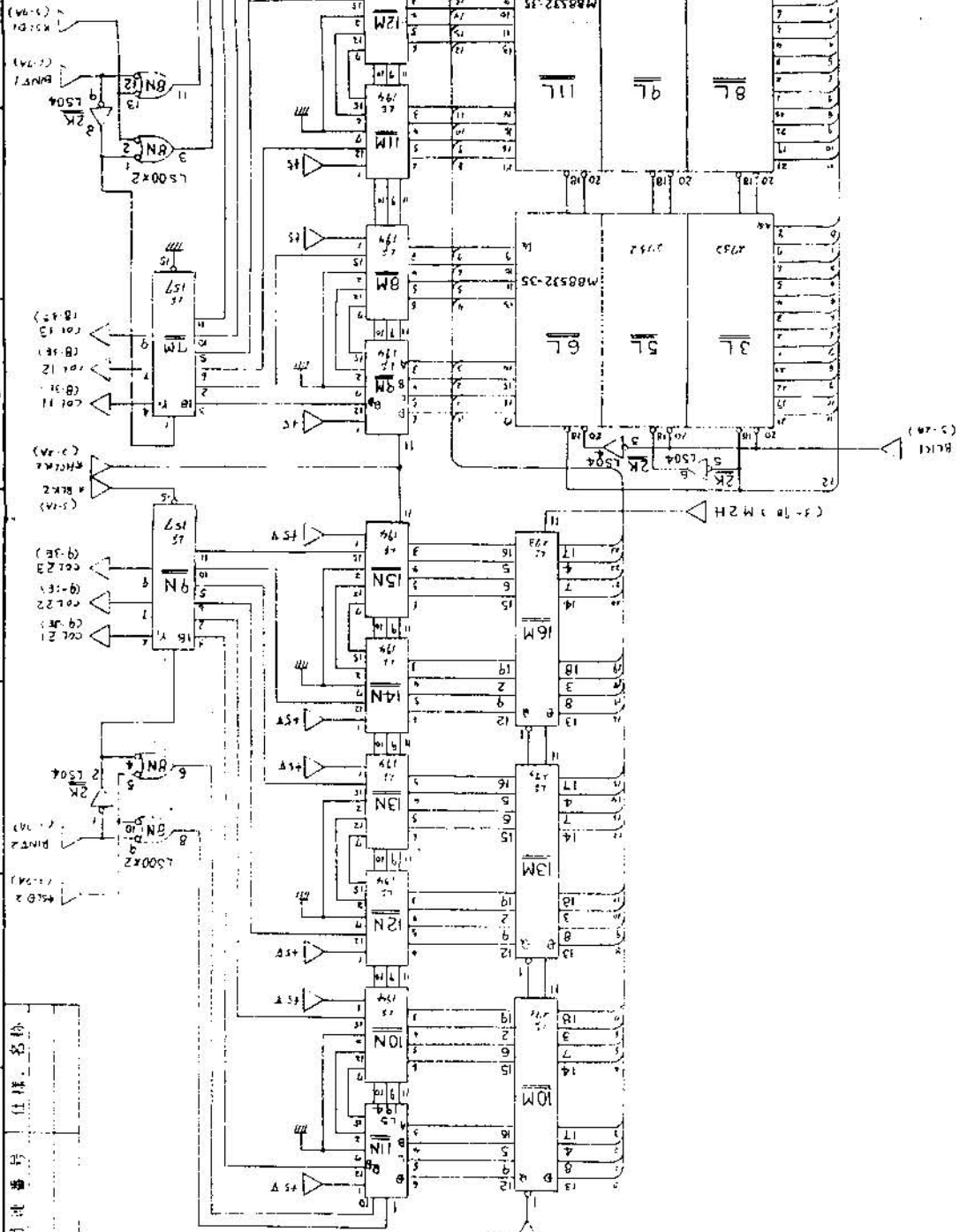
(4-1M) VERRIN

(3-1E) AB-15
(3-1E) MOUNT
(3-1E) MOUNT

記号	担当	年月日	改訂	箇所	符号	部品	図面番号	名称	仕様	材質
								名称	CX-9	
									DSP-10	
									K-10495	



ZOAR
 © 1982 DATA ENST USA, INC
 DSP-10 76F12



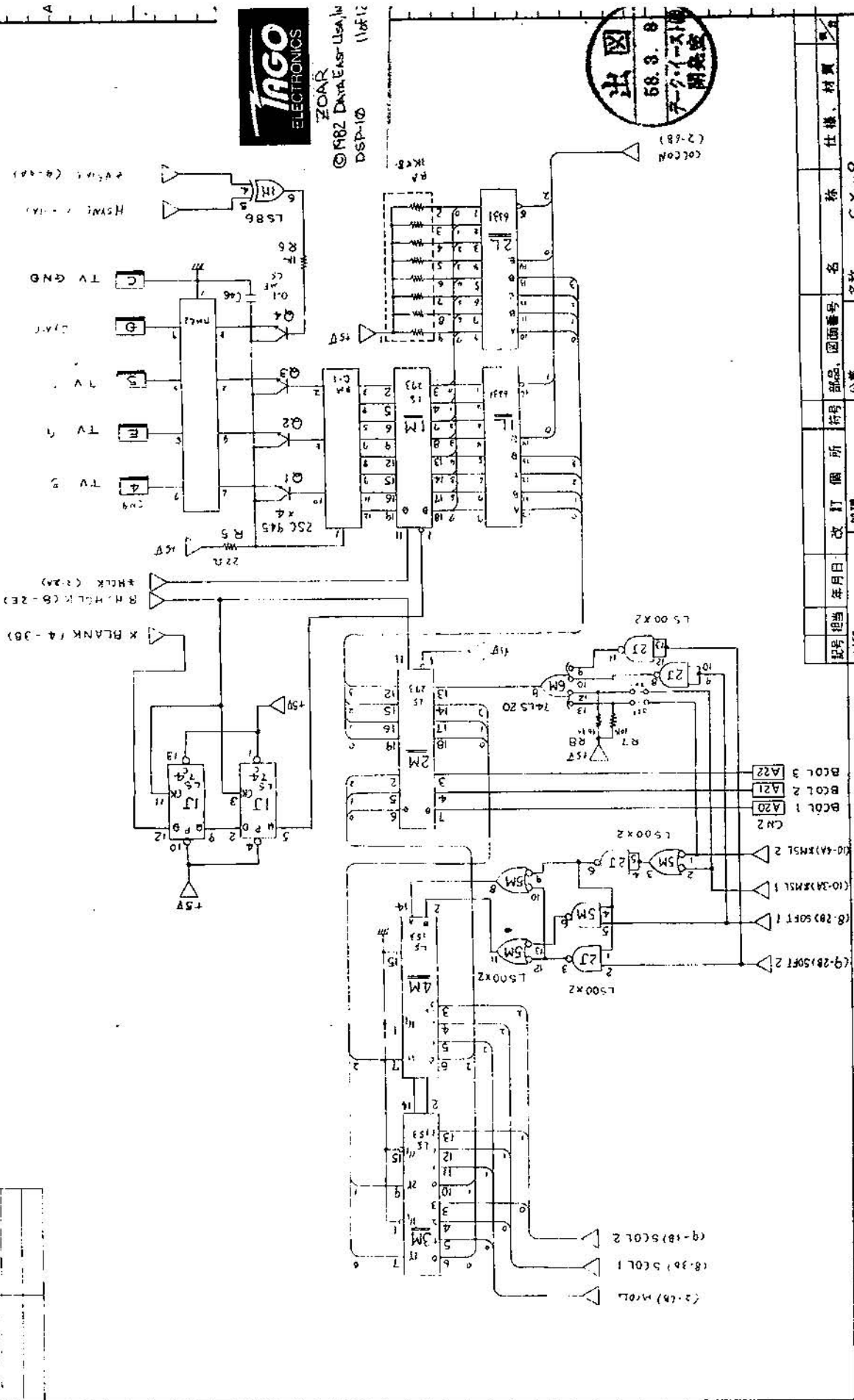
図記番号 仕様 名称

記号担当	年月日	改訂	箇所	符号	部品	部品	図面番号	名称	仕様	材質
材質			処理		公差			名称 CX-9		
承認								図番 DSP-10		
10/10								7		
57.3.13								12		
										K-10495

記号

58.3.8 7-9-1-1-1 開発室

回路番号	仕様	名称



© 1982 Data East USA, Inc.
 DSP-10 110F12

出図
 58.3.8
 アーカイブ
 閉巻室

記号	相当	年月日	改訂	個所	部品	図面番号	名称	仕様	材質
				処理	公差		CX-9		
材料							名称	DSP-10	
承認	検査	検出	検出	検出	検出	検出	図番	K-10495	

三ツツ一様式設計

