



Trade Marks of Taito
America Corporation

Wild Western



"WILD WESTERN"™ UPRIGHT

TABLE OF CONTENTS

| | |
|-----------------------------------------------------------|------------------------------------------------------|
| 1. "WILD WESTERN"™ UPRIGHT GAME SET-UPPage 2 | 3. ILLUSTRATIONS AND PART LISTS |
| A. Introduction2 | Figure 14 Cabinet Assembly Upright Rear View16 |
| B. Game Inspection2 | Figure 15 Revolving Control Assembly18 |
| C. Game Installation2 | Figure 16 Filter Board20 |
| D. Dip Switch and Volume Control Settings2 | Figure 17 Power Supply21 |
| 2. MAINTENANCE3 | Figure 18 ROM Board24 |
| A. Cleaning3 | Figure 19 CPU Board26 |
| B. Fuse Replacement3 | Figure 20 Video Board28 |
| C. Video Monitor Removal3 | Figure 21 Game Board30 |
| D. Video Monitor Adjustments (Separate Manual)4 | Figure 22 Power Supply Schematic 1 of 133 |
| E. Cover Glass Removal4 | Figure 23 ROM PC Board Schematic 1 of 134 |
| F. Printed Circuit Board Replacement4 | Figure 24 CPU PC Board Schematic 1 of 335 |
| 3. ILLUSTRATIONS AND PART LISTS | Figure 25 CPU PC Board Schematic 2 of 336 |
| Figure 1 Option Switches3 | Figure 25 CPU PC Board Schematic 3 of 337 |
| Figure 2 Volume Control Locations3 | Figure 26 Video PC Board Schematic 1 of 538 |
| Figure 3 Fuse Replacement3 | Figure 27 Video PC Board Schematic 2 of 539 |
| Figure 4 Video Monitor Removal3 | Figure 28 Video PC Board Schematic 3 of 540 |
| Figure 5 Cover Glass Removal4 | Figure 30 Video PC Board Schematic 4 of 541 |
| Figure 6 Printed Circuit Board Replacement4 | Figure 31 Video PC Board Schematic 5 of 542 |
| Figure 7 Incandescent Panel5 | Figure 32 Game PC Board Schematic 1 of 743 |
| Figure 8 8-Way Joystick6 | Figure 32 Game PC Board Schematic 2 of 744 |
| Figure 9 Control Panel7 | Figure 34 Game PC Board Schematic 3 of 745 |
| Figure 10 Door Assembly8 | Figure 35 Game PC Board Schematic 4 of 746 |
| Figure 11 Coin Door10 | Figure 36 Game PC Board Schematic 5 of 747 |
| Figure 12 Coin Door12 | Figure 37 Game PC Board Schematic 6 of 748 |
| Figure 13 Cabinet Assembly Upright Front View14 | Figure 38 Game PC Board Schematic 7 of 749 |
| | Figure 39 Wiring Diagram50 |

"WILD WESTERN"™ UPRIGHT

1. GAME SET-UP

A. INTRODUCTION

"WILD WESTERN"™ Taito America Corporation's 'WILD WESTERN' game is a journey back in time to the Wild West. You will mount your fiery steed in pursuit of a gang of bandits and feel like a real western hero when all the bandits are shot down and the locomotive safely passes through the desert.

The horses speed and direction is controlled by the 8-Way Joystick. Directional gunfire is controlled by the Revolving Control hitting the Button the player fires at the runaway bandits. The Bandits gunfire, running into cacti, rocks, or the train is fatal to the player.

When a Bandit hops on the train, the player must also climb aboard in order to shoot him. Getting aboard the train requires skill and timing as he must run parallel with the train at a safe distance and push the button to get aboard. The same is true when the player returns to his horse, he must wait for his horse to run alongside the train and time his jump in order to remount his horse.

Riding the train too long is also dangerous because the player must watch for outstretched waterpipes when passing by watertanks. The player must push the button to duck under the waterpipes or be knocked from the train.

The Player gets a chance to improve his aim in the bonus frame hitting the coin tossed into the air by his horse. Double the Bonus for a hit, or the horse laughs when missed.

The game ends when the player has lost all of his sheriffs or when 3 bandits have hopped aboard the train.

An additional sheriff is added for scoring 30,000 points (adjustable).

B. GAME INSPECTION

TAITO AMERICA'S CORPORATION'S "WILD WESTERN"™ upright game is ready to play when received. However, careful inspection is necessary to insure your game is in perfect condition. Please verify the following before turning the game on.

- * Examine external parts for chips, dents, or broken parts.
- * Open the service door and examine the following:
 - * Plug-in connectors to make sure they are firmly seated.
 - * Speaker
 - * Player Controls
 - * Printed Circuit Boards making sure there is no damage to the components.
 - * Check for loose foreign objects, especially metal objects which may cause electrical problems.
 - * Fuses, making sure they are firmly in the holders.
 - * Coin Mechanisms

The Video Monitor is properly adjusted before shipping. If there are any adjustments necessary refer to our Video Monitor Manual (72-00020-001).

If problems occur or technical assistance is required, contact our Customer Service Department HOT LINE Toll Free 800-323-0666 (except Illinois). Illinois phone 312 981-1000 X215.

POWER REQUIREMENTS

TAITO AMERICA CORPORATION'S "WILD WESTERN"™ upright game is shipped ready for operation at 120VAC, 60Hz with a power consumption of approximately 250 Watts.

CAUTION

For safe operation it is recommended the cabinet be grounded. This game is equipped with a three conductor power cable. The third conductor is the ground conductor and when the cable is plugged into an appropriate receptable, the game is grounded. The offset pin on the power cable's three-prong connector is the ground connection.

LOCATION SPACE REQUIREMENTS

Depth - 35" (87.5cm)
 Width - 24" (61cm)
 Height - 68" (171cm)
 Weight - 300 lbs.
 (Packaged Weight)

C. GAME INSTALLATION

The following precautions should be followed when installing the game.

- * Avoid rough handling of the game, the picture tube is fragile.
- * Install the game on a level surface.
- * Avoid installing the game where it may receive excessive sunlight or heat, to prevent the game from rising internal temperature.
- * Do not install in a damp or dusty location.
- * For a short time after connecting the power to the game, the picture may be temporarily distorted.

D. DIP SWITCH AND VOLUME CONTROL SETTINGS

Dip Switch A

| SETTING | POSITION | 1 | 2 | 3 | 4 | 5 | 6 | 7 | 8 |
|----------------------------|--------------|-----|-----|-----|-----|-----|-----|-----|-----|
| Points For | 70,000 | ON | ON | | | | | | |
| Adding a Sheriff | 50,000 | OFF | ON | | | | | | |
| | 30,000 | ON | OFF | | | | | | |
| | 10,000 | OFF | OFF | | | | | | |
| Hi-Score Name Registration | Name Reg. | | | ON | | | | | |
| | No Name Reg. | | | OFF | | | | | |
| No. of Sheriffs | 6 | | | | ON | ON | | | |
| | 5 | | | | OFF | ON | | | |
| | 4 | | | | ON | OFF | | | |
| | 3 | | | | OFF | OFF | | | |
| Test Switch | Test | | | | | | ON | | |
| | Normal | | | | | | OFF | | |
| Screen Inversion | 1-P Side | | | | | | | ON | |
| | 2-P Side | | | | | | | OFF | |
| Game Mode | Upright | | | | | | | | ON |
| | TT | | | | | | | | OFF |

Dip Switch B

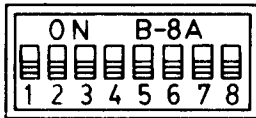
| | POSITION | | | | | | | |
|------------------|----------|-----|----|-----|---------|-----|----|-----|
| | 1 - WAY | | | | 2 - WAY | | | |
| Play Pricing | 1 | 2 | 3 | 4 | 5 | 6 | 7 | 8 |
| 1 Coin - 1 Play | ON | ON | ON | ON | ON | ON | ON | ON |
| 1 Coin - 2 Plays | OFF | ON | ON | ON | OFF | ON | ON | ON |
| 1 Coin - 3 Plays | ON | OFF | ON | ON | ON | OFF | ON | ON |
| 2 Coins - 1 Play | ON | ON | ON | OFF | ON | ON | ON | OFF |
| 3 Coins - 1 Play | OFF | ON | ON | OFF | OFF | ON | ON | OFF |

Dip Switch C

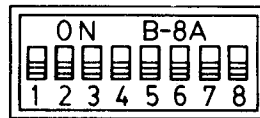
| SETTING | POSITION | 1 | 2 | 3 | 4 | 5 | 6 | 7 | 8 |
|----------------------------|------------|---|---|---|---|---|-----|-----|-----|
| Display of 1982 | No Display | | | | | | ON | | |
| | Display | | | | | | OFF | | |
| No Hits are Made By Player | No Hit | | | | | | | ON | |
| | Normal | | | | | | | OFF | |
| Coin System | 1-Way | | | | | | | | ON |
| | 2-WAY | | | | | | | | OFF |

OPTION SWITCHES
FIGURE 1

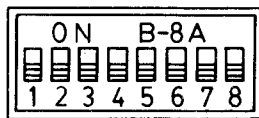
SWA



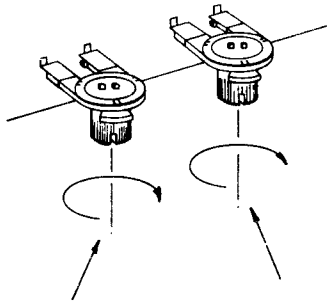
SWB



SWC



VOLUME CONTROL LOCATIONS
FIGURE 2



VOLUME CONTROL SETTING

The Volume increases by turning the potentiometer as indicated in Figure 2. The Volume Control is located on the game near the (H) connector.

2. MAINTENANCE

All games require a certain amount of maintenance to keep them in good condition. A periodic check of mechanical controls would be beneficial to guarantee your game will be profitable.

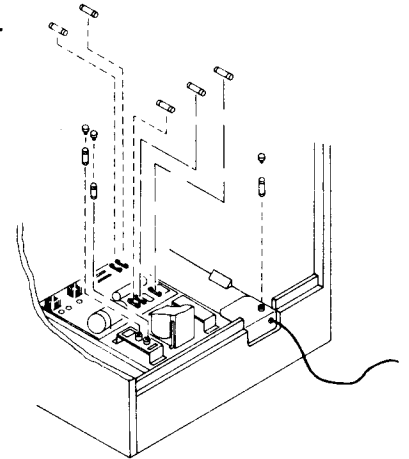
A. CLEANING

The exterior of the game, all metal parts and all plastic parts can be cleaned with a non-abrasive cleanser. Caution should be used when cleaning the plastic, a dry cloth can cause scratches and result in a foggy appearance.

B. FUSE REPLACEMENT

This game contains 8 fuses. Seven of these fuses can be found on the Power Supply Assembly, five (5) are on the PCB and two (2) are on the Power Supply Bracket. One (1) is located at the bracket where the AC line cord comes into the cabinet. See Figure () for location of these fuses.

FUSE REPLACEMENT
FIGURE 3



C. VIDEO MONITOR REMOVAL

If you need to remove the Video Monitor, follow the instructions listed below.

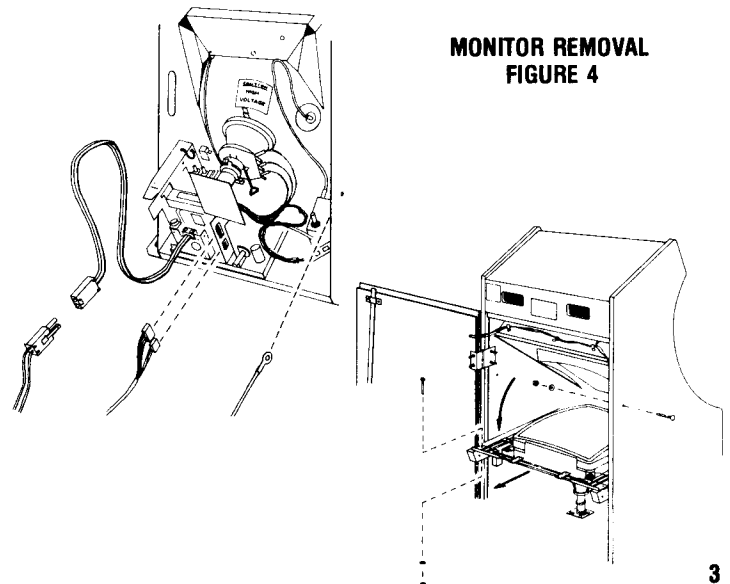
CAUTION

It is recommended the game be left disconnected for at least one hour before removing the Video Monitor. This will probably discharge the Video Tube but EXTREME CAUTION is still necessary.

- * Disconnect power from the line voltage.
- * Disconnect the Monitor cable connector.
- * Remove the wire cable clamp.
- * Take out the two side bolts, one on each side of the cabinet.
- * Remove the four mounting bolts and disconnect the green ground wire.
- * Slide the Monitor out by pulling the Monitor toward you.

CAUTION

Use extreme caution and do not touch electrical parts of the Monitor Yoke area with your hands or with any metal object in your hands! High voltages may exist in any Monitor, even with power disconnected.



MONITOR REMOVAL
FIGURE 4

D. VIDEO MONITOR ADJUSTMENTS

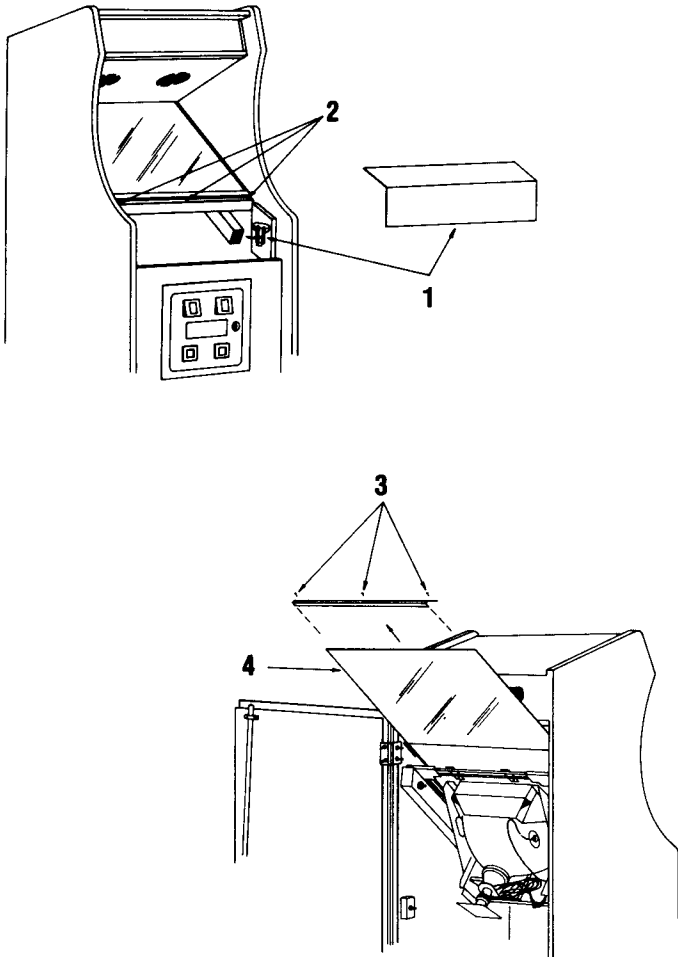
TAITO AMERICA CORPORATION presently uses either a Wells-Gardner or an Electrohome 19" color monitor in the "WILD WESTERN"™ game. Refer to Monitor Manual (72-00016-001) for your specific Video Monitor. Be sure to heed all the WARNINGS AND CAUTION INSTRUCTIONS provided before repairing or replacing your Video Monitor.

E. COVER GLASS REMOVAL

To remove the Cover Glass follow the Instructions listed below:

1. Remove the control Panel.
2. Loosen three (3) screws on the Cover Glass, front bracket.
3. Open Service Door and remove the (Rear) Cover Glass Bracket.
4. Slide glass out through the Service Door.

**COVER GLASS REMOVAL
FIGURE 5**



F. PRINTED CIRCUIT BOARD REPLACEMENT

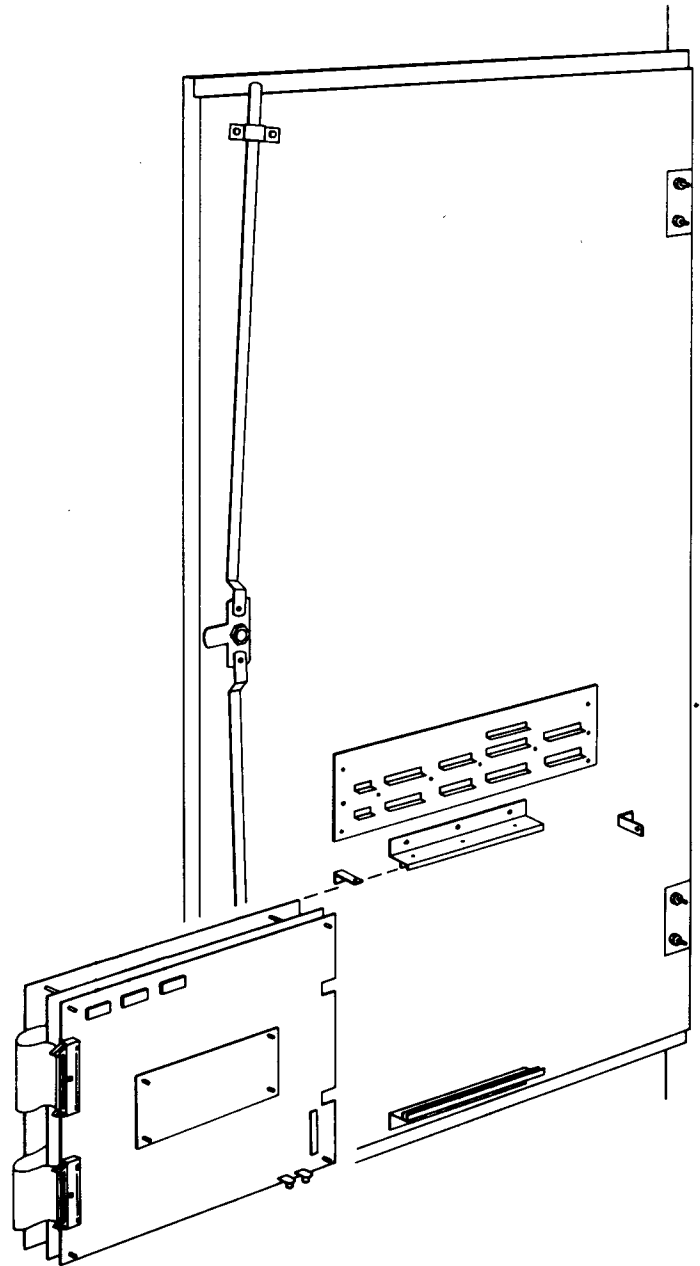
You may wish to remove the "WILD WESTERN"™ Printed Circuit Boards for servicing. Refer to Figure 6.

The "WILD WESTERN"™ Printed Circuit Boards are located on the inside of the Rear Service Door for easy access.

To remove the boards the following steps should be followed:

1. Open the rear service door, the power will automatically be removed by the Interlock Switch located on the inside of the door frame.
2. Disconnect the connector G, H, and T from the boards.
3. Loosen and turn the Stop Bracket and pull the boards toward you out of the board guides.

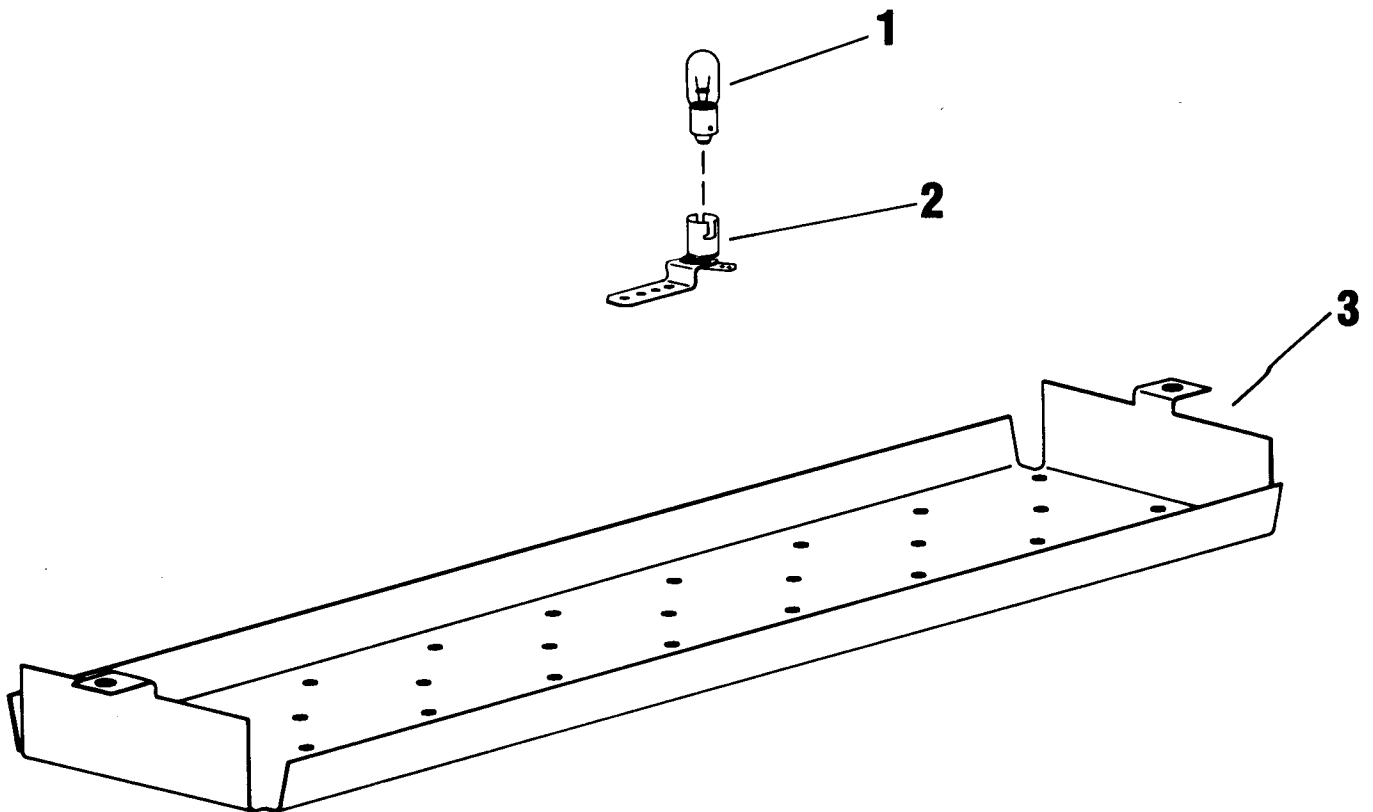
**PRINTED CIRCUIT BOARD REPLACEMENT
FIGURE 6**



INCANDESCENT PANEL

FIGURE 7

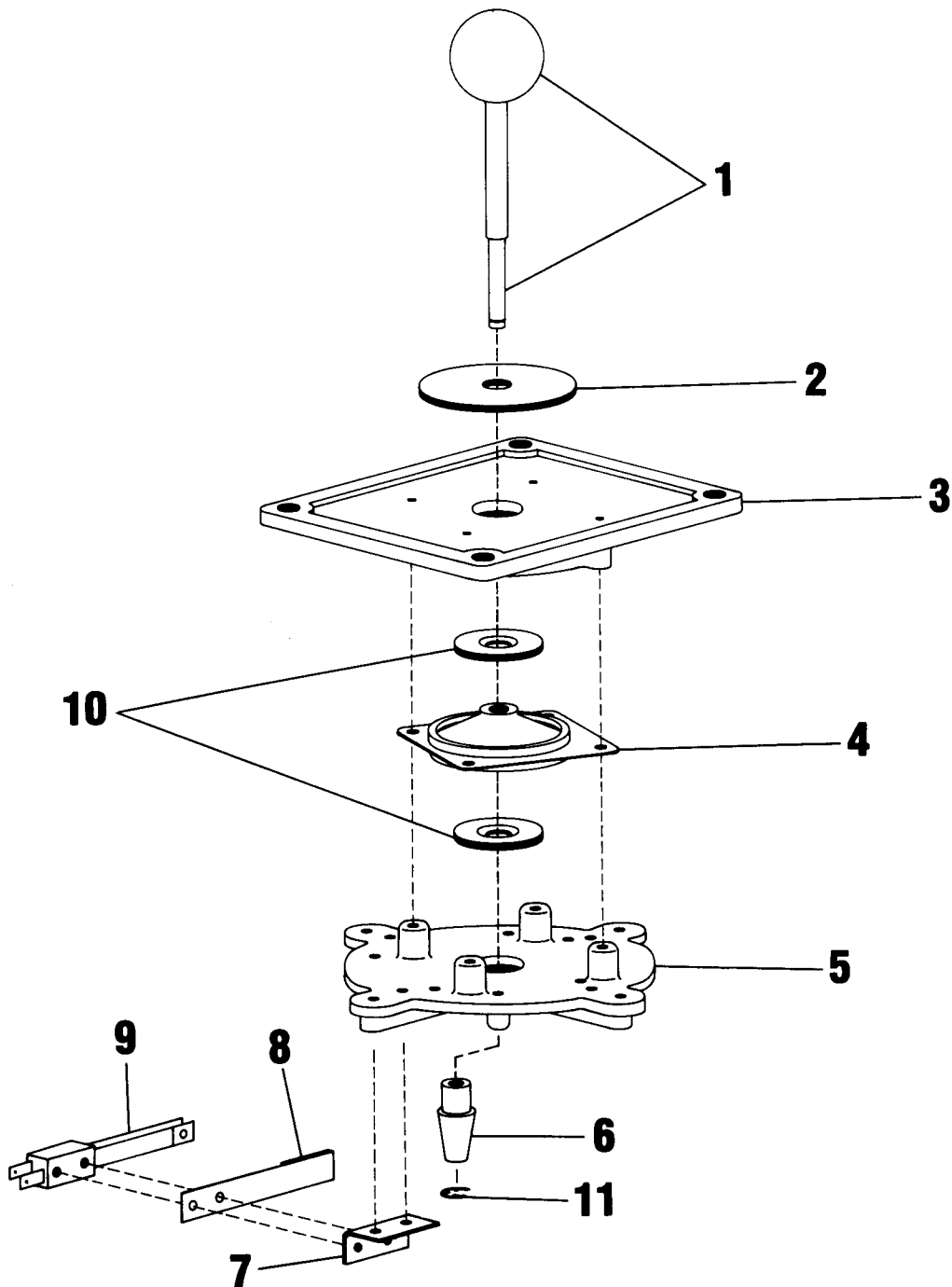
| ITEM | TAITO PART NO. | DESCRIPTION |
|------|----------------|------------------------|
| 1 | 27-00006-001 | Lamp #47 |
| 2 | 26B00009-001 | Bayonet Base Socket |
| 3 | 61D00112-001 | Marquee Lighting Plate |



8-WAY JOYSTICK

FIGURE 8

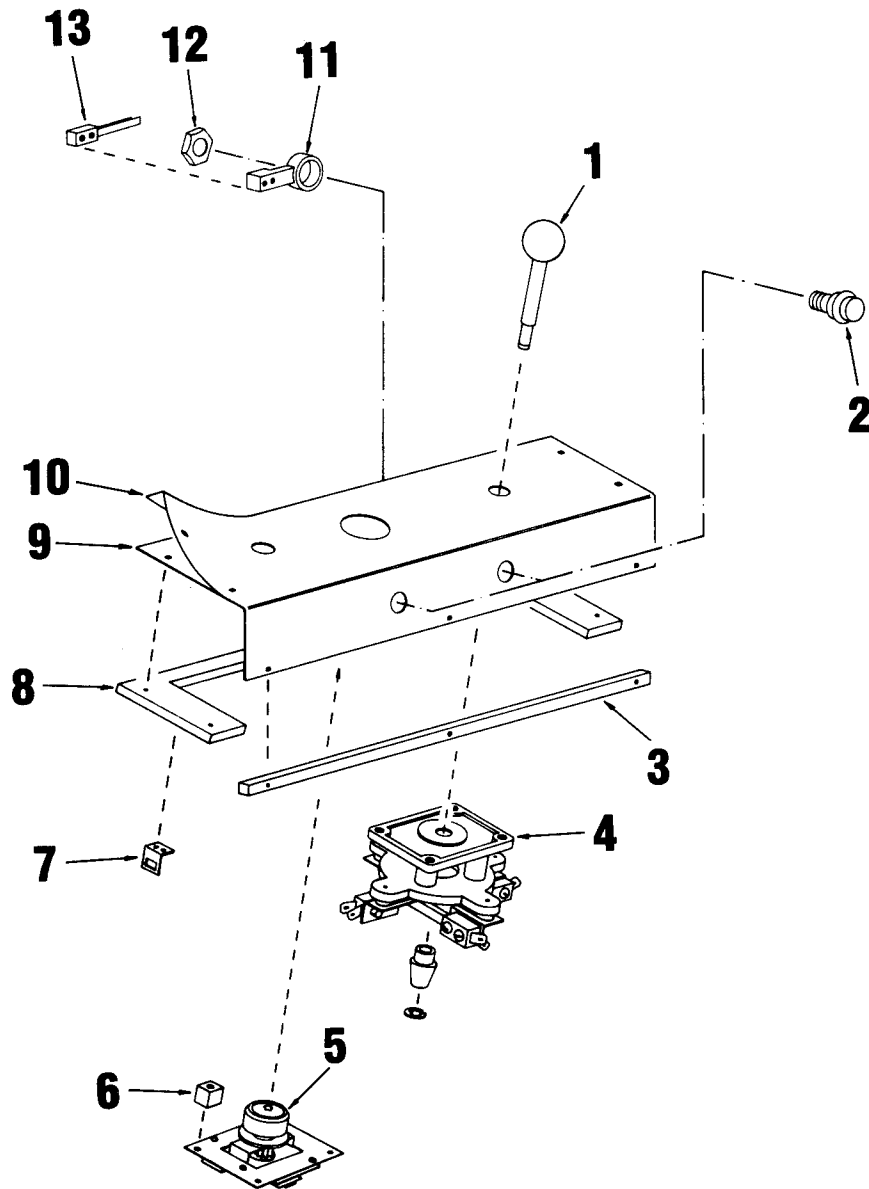
| ITEM | TAITO PART NO. | DESCRIPTION |
|------|----------------|-----------------|
| 1 | 63B00031-001 | Ball & Shaft |
| 2 | 63A00033-001 | Mask |
| 3 | 63C00027-001 | Mounting Plate |
| 4 | 62A00002-001 | Shock Mount Pad |
| 5 | 63A00028-001 | Switch Plate |
| 6 | 63A00030-001 | Actuator |
| 7 | 61A00078-001 | "L" Ring |
| 8 | 63C00029-001 | Switch Spacer |
| 9 | 29B00018-001 | Leaf Switch |
| 10 | 63A00029-001 | Spacer |
| 11 | 59B00020-017 | "E" Ring |



CONTROL PANEL

FIGURE 9

| ITEM | TAITO PART NO. | DESCRIPTION |
|------|----------------|--------------------------------|
| 1 | 63B00031-001 | Ball & Shaft |
| 2 | 63B00024-001 | Push Button White |
| 3 | 42B00108-001 | Cleat Wood |
| 4 | 63D00032-006 | 8-Way Control |
| 5 | 07-00136-001 | Control Assy., Revolving |
| 6 | 42B00132-001 | Standoff Control Assembly |
| 7 | 61A00015-001 | Strike Hook |
| 8 | 42D00017-001 | Control Panel Wood |
| 9 | 07M00135-001 | Control Panel, Metal |
| 10 | 63D00086-001 | Lexan Decal |
| 11 | 63-00025-001 | Switch Support |
| 12 | 54A07001-008 | Nut, Stamped $\frac{5}{8}$ -11 |
| 13 | 29B00020-001 | Switch, Push Button |



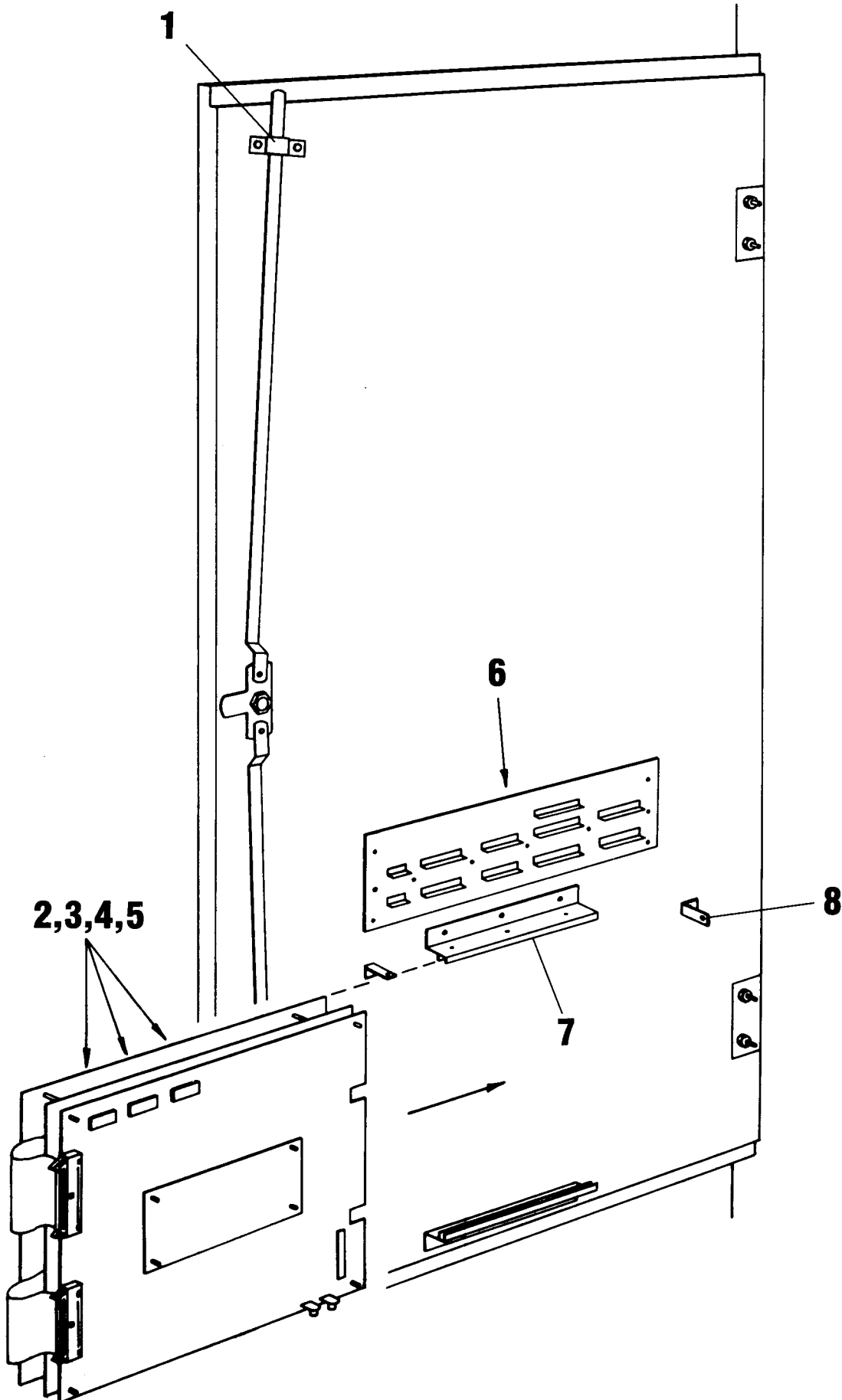
DOOR ASSEMBLY

FIGURE 10

| ITEM | TAITO PART NO. | DESCRIPTION | REFERENCE |
|------|----------------|--------------------|-----------|
| 1 | 61A00111-001 | Bracket, Lock Rod | |
| 2 | 08-00036-002 | Game P.C.B. | AAO 17808 |
| 3 | 08-00036-003 | CPU P.C.B. | AAO 17809 |
| 4 | 08-00036-004 | Video P.C.B. | AAO 17810 |
| 5 | 08-00028-005 | ROM P.C.B. | AAO 17811 |
| 6 | 08-00017-001 | Filter P.C.B. | |
| 7 | 07C00131-001 | Bracket P.C. Board | |
| 8 | 61A00014-001 | "L" Bracket | |

DOOR ASSEMBLY

FIGURE 10



COIN DOOR

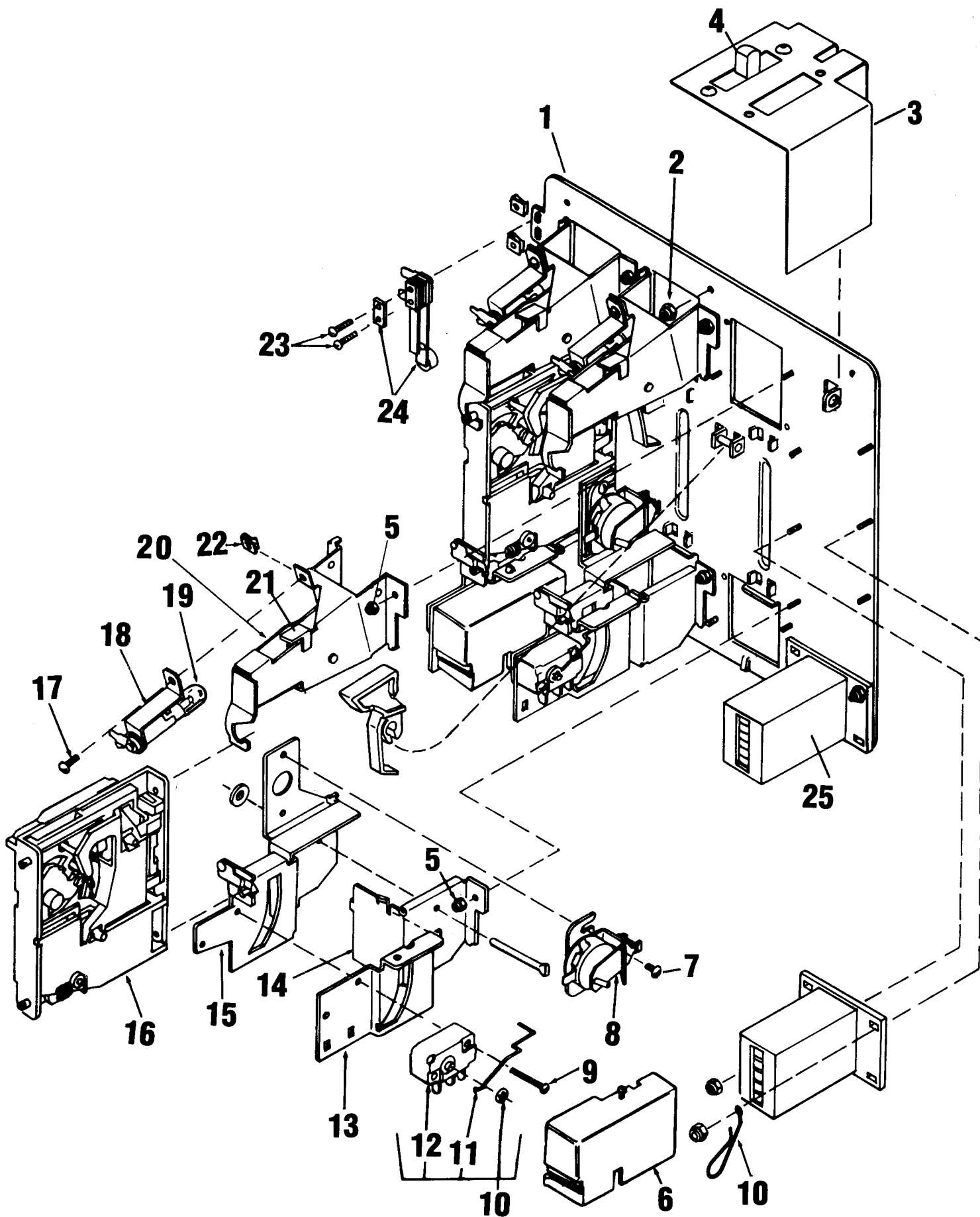
FIGURE 11

| ITEM | TAITO PART NO. | DESCRIPTION | REFERENCE |
|------|----------------|--------------------------------------------------|-----------|
| 1 | 07-00027-001 | Inner Panel With Levers Sub Assembly | 404429 |
| 2 | 54-03013-001 | Nut #8-32 | 400-8 |
| * | 09-00017-001 | Custom Harness Assembly (SHL Coin) | |
| * | 09-00017-002 | Custom Harness Assembly (Dual Coin) | |
| 3 | 61B00113-001 | Service Switch Bracket | |
| 4 | 29-00022-001 | Service Switch | |
| 5 | 54-03011-001 | Nut #4-40 | |
| 6 | 63-00014-001 | Switch Cover | 904762 |
| 7 | 51-02052-001 | Screw #6-32 x ³ / ₁₆ SS ph | 100-6-3 |
| 8 | 23-00001-001 | C.R.E.M. Coil Assembly | 404354 |
| 9 | 51-02052-001 | Screw #6-32 x ³ / ₁₆ SS ph | 100-4-12 |
| 10 | 59-00019-001 | Retainer | 900651 |
| 11 | 28-00029-001 | Silver Switch Wire for U.S. 25¢ | 904710-1 |
| 12 | 29-00007-001 | Switch | 904845 |
| 13 | 61-00044-001 | Coin Chute | 904701 |
| 14 | 61-00045-001 | Coin Return Box | 904598 |
| 15 | 61-00025-001 | Switch & C.R.E.M. Coil Bracket | 404428 |
| 16 | 59-00018-001 | 25¢ Acceptor | 5301-10 |
| 17 | 51-02051-006 | Screw 4-40 x ³ / ₈ SS ph | 110-4-6 |
| 18 | 27-00003-001 | Miniature Bayonet Base Lamp | 904717 |
| * | 26-00006-001 | Lamp Socket | |
| 19 | 27-00003-001 | #47 Lamp (6.3 Volt) | 904716 |
| 20 | 61-00048-001 | Coin Inlet Chute | 904418 |
| 21 | 61-00047-001 | Right Half of Coin Inlet Chute | 904594 |
| 22 | 54-00001-001 | "U" Type Fastener | 904712 |
| 23 | 51-02051-006 | Screw 4-40 x ¹ / ₂ SS ph | 116-4-8 |
| 24 | 29-00006-001 | Slam Switch Assembly | 904704 |
| 25 | 998325 | Coin Meters | |

*Item not shown on drawing.

COIN DOOR

FIGURE 11

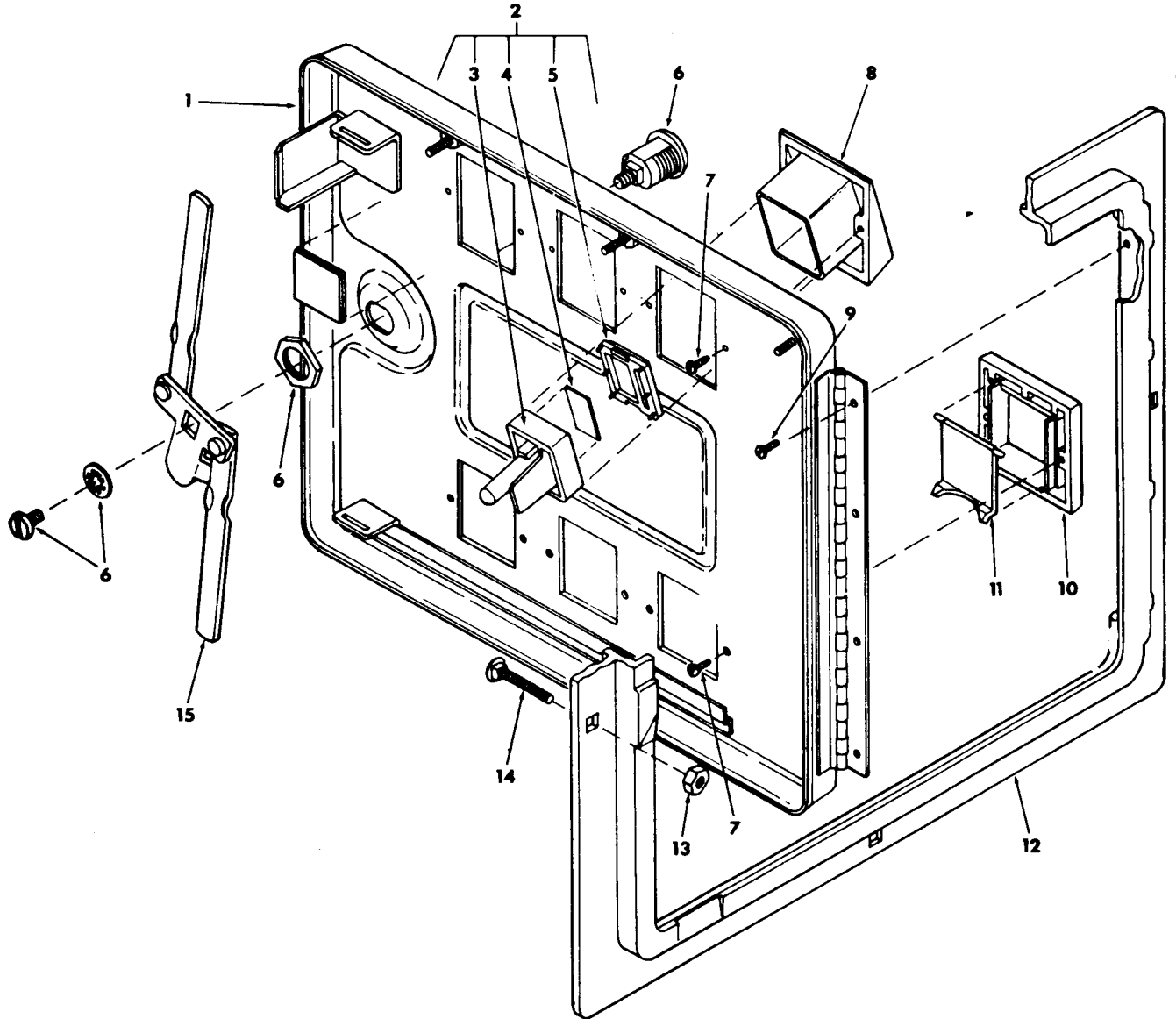


COIN DOOR**FIGURE 12**

| ITEM | TAITO PART NO. | DESCRIPTION | REFERENCE |
|-------------|---------------------------|-------------------------------------------------------------------------------------------------------------|------------------|
| 1 | 61-00042-001 | Coin Door Only (2 Coin) | 404341 |
| 2 | 07-00023-001 | Coin Return Button Assembly For U.S. 25¢ Coin | 404348-1 |
| 3 | 63-00015-001 | Coin Return Button | 904591 |
| 4 | 79-50004-001 | U.S. 25¢ Price Decal | 904703 |
| 5 | 63-00016-001 | Coin Return Button Cover for U.S. 25¢ Coin | |
| 6 | 07-00025-001 | Lock Assembly | 904707-1 |
| 6A | 07-00025-001 | Lock Assembly | 904707-1 |
| 7 | 51-01051-003 | Screw #4 x $\frac{5}{16}$ SL ph Type B | 345-4-5 |
| 7A | 51-01051-003 | Screw #4 x $\frac{5}{16}$ SL ph Type B | 345-4-5 |
| 8 | 63-00011-001 | Coin Button Housing | 904588 |
| 9 | 51-02051-002 | Screw #4-40 x $\frac{1}{4}$ SL ph | 325-4-4 |
| 10 | 63-00012-001 | Coin Return Bezel | 904590 |
| 11 | 63-00013-001 | Coin Return Cover | 904599 |
| 12 | 61-00040-001 | Coin Door Frame $11\frac{1}{8}$ x $13\frac{3}{8}$ Mounts in a $10\frac{3}{8}$ x $12\frac{3}{16}$ Opening | 904581 |
| 13 | 54-01005-001 | Hex Nut $\frac{1}{4}$ -20 | 406-416 |
| 14 | 51A03003-113 | Carriage Bolt | 904734 |
| 15 | 07-00026-001 | Lock Arm Assembly | 404357 |

COIN DOOR

FIGURE 12

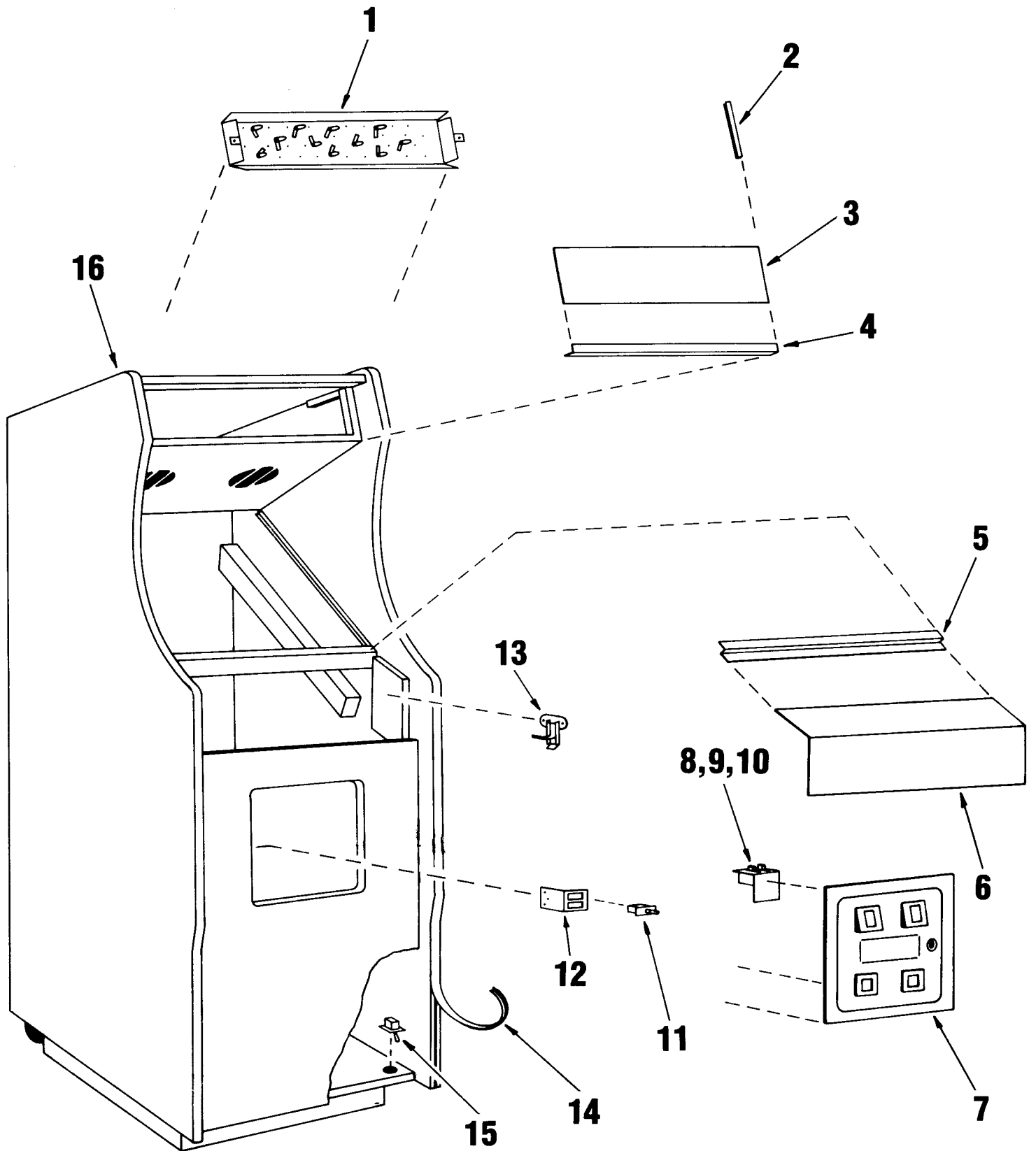


CABINET ASSEMBLY FRONT VIEW**FIGURE 13**

| ITEM | TAITO PART NO. | DESCRIPTION |
|-------------|---------------------------|-----------------------------|
| 1 | 07M00055-002 | Incandescent Panel |
| 2 | 63B00006-003 | "U" Channel Bracket |
| 3 | 47D00012-008 | Marquee |
| 4 | 61C00115-001 | Marquee Retaining Bracket |
| 5 | 61D00012-001 | Lower Coverglass Bracket |
| 6 | 07-00132-001 | Control Panel Assembly |
| 7 | 07-00050-001 | Coin Door |
| 8 | 61B00113-001 | Switch Bracket |
| 9 | 07-00118-001 | Service Switch Assembly |
| 10 | 29-00022-001 | Slide, Center Return Switch |
| 11 | 29B00015-001 | Interlock Switch |
| 12 | 61B00114-001 | Interlock Switch Bracket |
| 13 | 59-00008-001 | Latching Clamp |
| 14 | 63B00002-004 | "T" Molding |
| 15 | 29A00023-001 | Power ON/OFF Switch |
| 16 | 41-00015-003 | Finished Cabinet |

CABINET ASSEMBLY FRONT VIEW

FIGURE 13

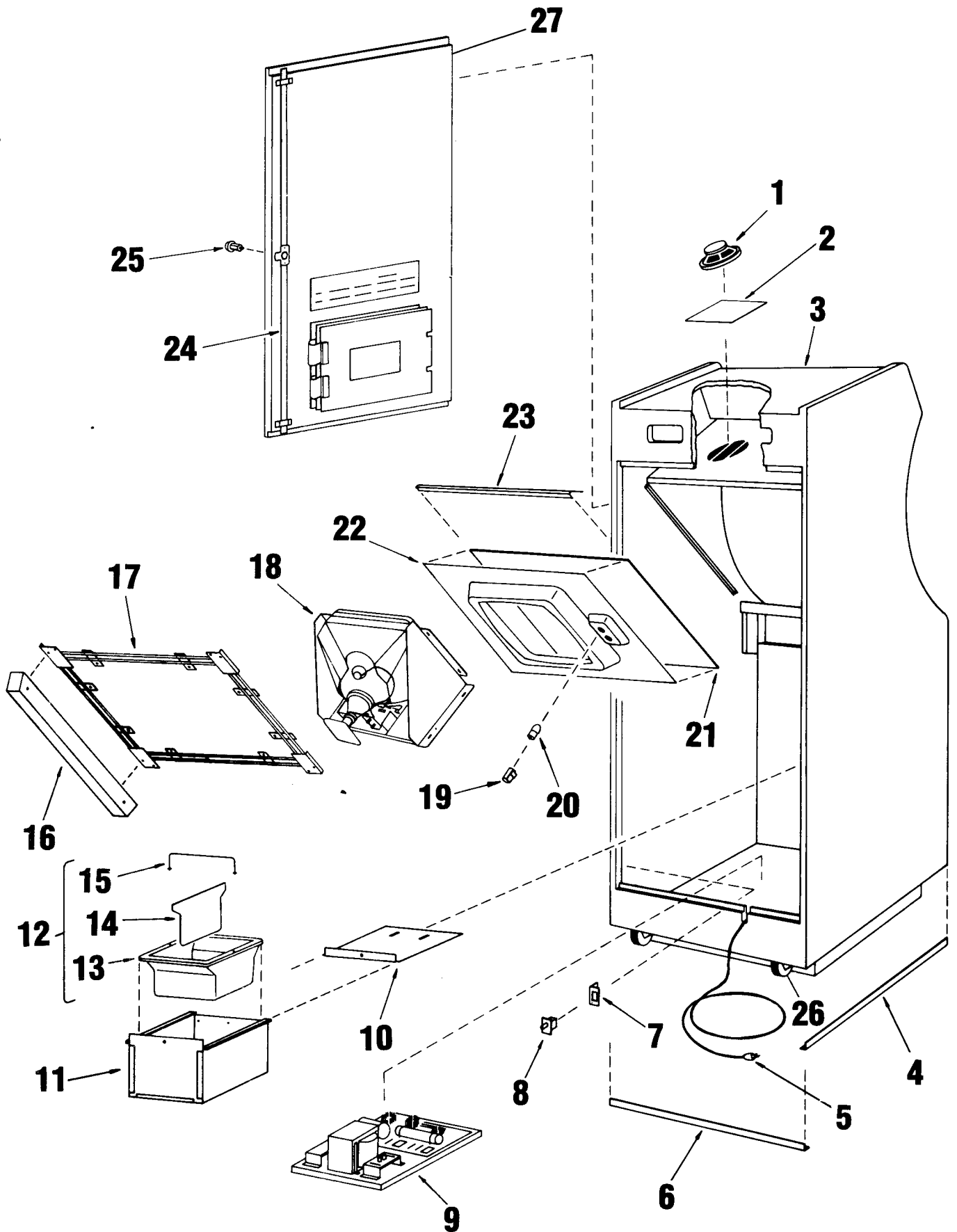


CABINET ASSEMBLY REAR VIEW**FIGURE 14**

| ITEM | TAITO PART NO. | DESCRIPTION |
|-------------|---------------------------|------------------------------|
| 1 | 07-00083-001 | Speaker |
| 2 | 61B00038-001 | Speaker Grill |
| 3 | 41D00015-003 | Finished Cabinet |
| 4 | 63C00005-004 | (L) Molding |
| 5 | 07M00042-001 | A/C Line Cord Assembly |
| 6 | 63C00005-002 | Lock Kit |
| 7 | 61B00030-002 | Interlock Bracket |
| 8 | 29B00015-001 | Interlock Switch |
| 9 | 07M00039-001 | Power Supply |
| 10 | 61C00054-001 | Cash Box Lid |
| 11 | 61D00060-001 | Cash Box |
| 12 | 07M00054-001 | Cash Tray Assembly |
| 13 | 63R00010-001 | Cash Tray (only) |
| 14 | 63-00019-001 | Cash Tray Separator |
| 15 | 61B00039-001 | Cash Tray Handle |
| 16 | 42C00013-001 | Monitor Support Cleat |
| 17 | 61D00208-001 | Monitor M.T.G |
| 18 | 31-00011-001 | 19" Color Monitor |
| 19 | 26-00010-001 | Socket Lamp Clip-on Mini-Bay |
| 20 | 27-00006-001 | #47 Bulb |
| 21 | 47M00013-008 | Coverglass |
| 22 | 63C00035-001 | Monitor Shroud |
| 23 | 61C00006-001 | Upper Cover Glass Bracket |
| 24 | 61-000142-001 | Lock Rod Assembly |
| 25 | 04-00037-002 | Lock Assembly |
| 26 | 44-00001-001 | Wheel Assembly |
| 27 | 42-00134-001 | Back Door |

CABINET ASSEMBLY REAR VIEW

FIGURE 14



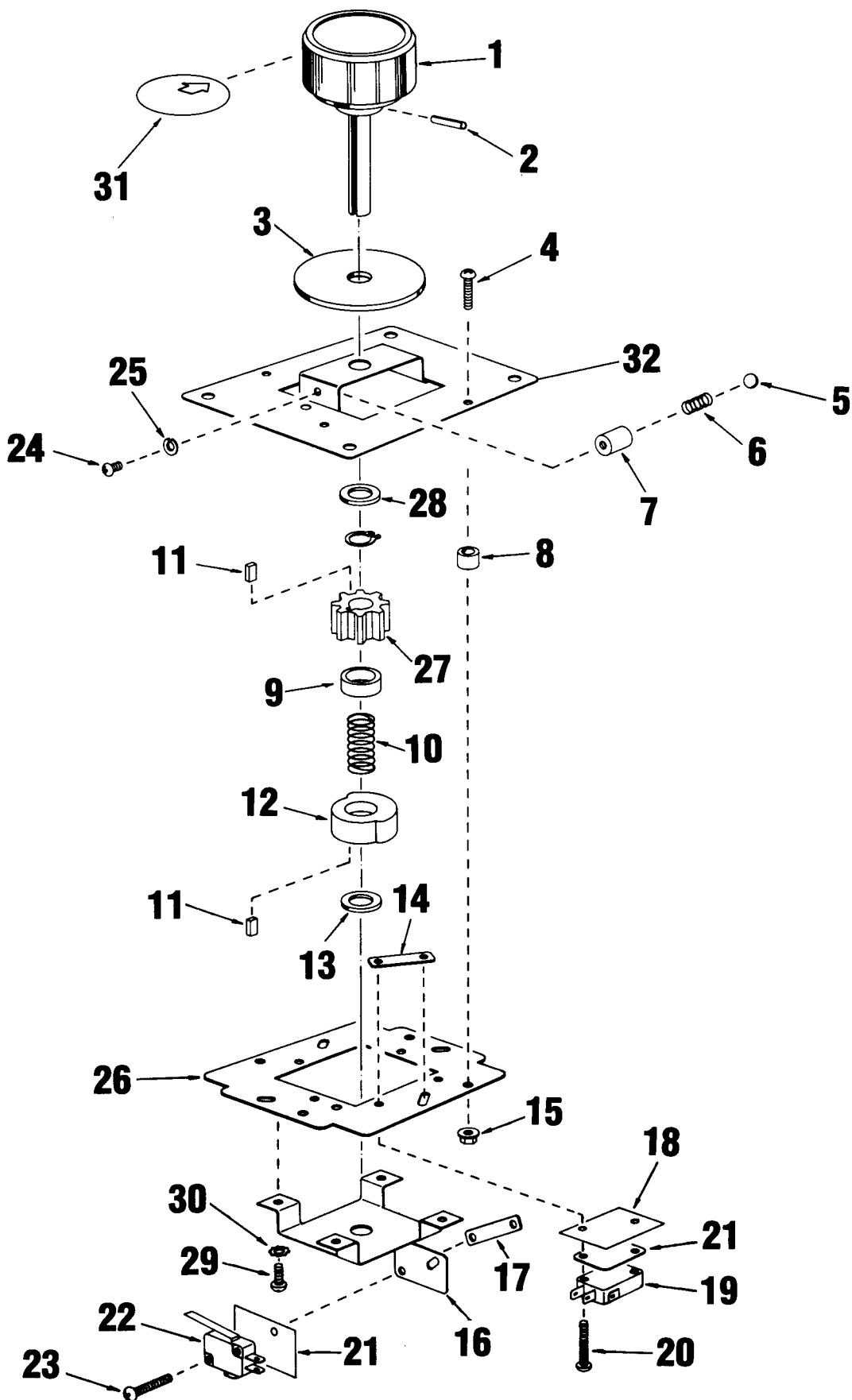
REVOLVING CONTROL ASSEMBLY (WWK00003)

FIGURE 15

| ITEM | TAITO PART NO. | DESCRIPTION |
|-------------|-----------------------|----------------------------------------------|
| 1 | 99-WW090002 | Knob |
| 2 | 99-WW020006 | Roll Pin |
| 3 | 99-AA019609 | Plastic Washer |
| 4 | | Pan Hd. Screw M4 x 14 |
| 5 | 99-WW020004 | ¼" Steel Ball |
| 6 | 99-WW050002 | Spring |
| 7 | 99-WW020003 | Spring Guide |
| 8 | 99-AA012510 | Spacer |
| 9 | 99-WW020005 | Adjust Pipe |
| 10 | 99-WW050001 | Spring |
| 11 | 99-WW020002 | Parallel Key |
| 12 | 99-WW040002 | CAM |
| 13 | | Plain Washer |
| 14 | 99-AA013658 | Tap Plate |
| 15 | | Flange Nut M4 |
| 16 | 99-WW030002 | Base Bracket "B" |
| 17 | 99-AA013658 | Tap Plate |
| 18 | 99-AA019504 | Insulator |
| 19 | 99-AA052532 | Micro Switch V10FL22-1C28 |
| 20 | | Bind Hd. Screw M 3 x 16 |
| 21 | 99-AA019504 | Insulator |
| 22 | 99-AA052531 | Micro Switch |
| 23 | | Bind Hd. Screw M3 x 16 |
| 24 | | Pan Hd. Screw M4 x 6 |
| 25 | | Lock Washer 4M |
| 26 | 99-WW030003 | M.S. Base |
| 27 | 99-WW040001 | Gear |
| 28 | | Plain Washer 9.5 dia x 15 dia x 1.6 thick |
| 29 | | Screw M4 x 6 |
| 30 | | Spring Washer 4M |
| 31 | 61A-00244-001 | Inlay Knob |
| 32 | 99-WW030001 | Base Bracket "A" |

REVOLVING CONTROL ASSEMBLY (WWK00003)

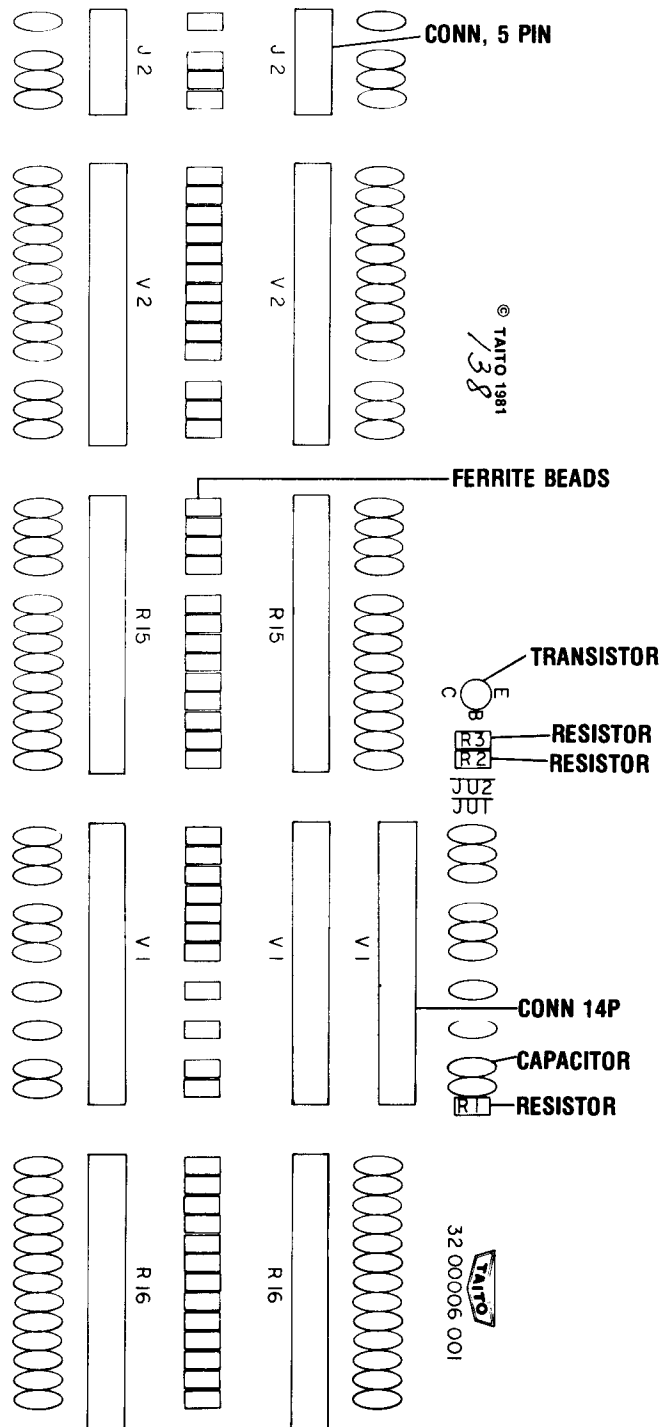
FIGURE 15



FILTER BOARD

FIGURE 16

| ITEM | TAITO PART NO. | DESCRIPTION | QUANTITY |
|------|----------------|-----------------------------|----------|
| 1 | 12-10003-471 | Cap, 470pf ± 10% Axial Lead | 74 |
| 2 | 17-00001-001 | Ferrite Bead Assembly | 42 |
| 3 | 25-00002-014 | Connector 14P | 9 |
| 4 | 25-00002-005 | Connector 5P | 2 |
| 5 | 14-23904-001 | Transistor NPN 2N3904 | 1 |
| 6 | 11-00001-102 | Resistor 1K ohm ¼W | 1 |
| 7 | 11-00001-332 | Resistor 3.3F ohm ¼W | 2 |
| 8 | 63B00068-001 | Stand Off | 6 |



POWER SUPPLY

FIGURE 17

| SYM | TAITO PART NO. | DESCRIPTION |
|-----|----------------|-------------------------------|
| R1 | 11-00001-102 | Resistor 1.0K 5% ¼W 5% |
| R2 | 11-00001-512 | Resistor 5.1K ¼W 5% |
| R3 | 11-00001-183 | Resistor 18K ¼W 5% |
| R4 | 11-00001-224 | Resistor 220K ¼W 5% |
| R5 | 11-00001-472 | Resistor 4.7K ¼W 5% |
| R6 | 11-00001-222 | Resistor 2.2K ¼W 5% |
| R7 | 11-10001-101 | Resistor 100 ¼W 5% |
| R8 | 11-00001-102 | Resistor 10K ¼W 5% |
| R9 | 11-00001-472 | Resistor 4.7K ¼W 5% |
| R10 | 11-10001-101 | Resistor 100 ½W 5% |
| R11 | 11-30001-015 | Resistor .15 4W 5% |
| R12 | 11-30001-015 | Resistor .15 4W 5% |
| R13 | 11-00001-472 | Resistor 4.7K ¼W 5% |
| R14 | 11-00001-222 | Resistor 2.2K ¼W 5% |
| R15 | 11-00001-222 | Resistor 2.2K ¼W 5% |
| R16 | 11-60001-252 | Pot 2.5K ¼W 20% |
| R17 | 11-00001-222 | Resistor 2.2K ¼W 5% |
| R18 | 11-60001-102 | Pot 1.0K ¼W 20% |
| R19 | 11-00001-511 | Resistor 510 ¼W 5% |
| R20 | 11-10001-470 | Resistor 47 ½W 5% |
| R21 | 11-00001-162 | Resistor 1.6K ¼W 5% |
| R22 | 11-00001-103 | Resistor 10K ¼W 5% |
| R23 | 11-00001-472 | Resistor 4.7K ¼W 34 |
| R24 | 11-00001-222 | Resistor 2.2K ¼W 5% |
| R25 | 11-60001-102 | Pot 1.0K ¼W 5% |
| R26 | 11-00001-472 | Resistor 407K ¼W 5% |
| R27 | 11-00001-222 | Resistor 2.2K ¼W 5% |
| R28 | 11-60001-252 | Pot 2.5K ¼W 20% |
| R29 | 11-00001-472 | Resistor 4.7K ¼W 5% |
| R30 | 11-00001-122 | Resistor 1.2K ¼W 5% |
| R31 | 11-10001-470 | Resistor 47 ¼W 5% |
| R32 | 11-30001-015 | Resistor .15 4W 5% |
| R33 | 11-00001-222 | Resistor 2.2K ¼W 5% |
| R34 | 11-00001-122 | Resistor 1.2K ¼W 5% |
| R35 | 11-00001-511 | Resistor 510 ¼W 5% |
| R36 | 11-00001-222 | Resistor 2.2K ¼W 5% |
| R37 | 11-00001-104 | Resistor 100K |
| R38 | 11-00001-103 | Resistor 10K ¼W 5% |
| R39 | 11-00001-224 | Resistor 220L ¼W 5% |
| C1 | 12-30001-225 | Capacitor, Tantalum 2.2uf 25V |
| C2 | 12-10004-103 | Capacitor, Ceramic .01uf |
| C3 | 12-10004-103 | Capacitor, Ceramic .01uf |
| C4 | 12-30001-105 | Capacitor, Tantalum 1.uf 35V |

| SYM | TAITO PART NO. | DESCRIPTION |
|------|----------------|----------------------------------|
| C5 | 12-10001-102 | Capacitor, .001uf |
| C6 | 12-30001-106 | Capacitor, Tantalum 10uf |
| C7 | 12-20003-509 | Capacitor, Electrolytic 50,000uf |
| C8 | 12-30001-105 | Capacitor, Tantalum 1.uf 35V |
| C9 | 12-20003-209 | Capacitor, Electrolytic 20,000uf |
| C10 | 12-10001-332 | Capacitor, Ceramic .0033uf |
| C11 | 12-30001-476 | Capacitor, Tantalum 47uf |
| C12 | 12-30001-105 | Capacitor, Tantalum 1.uf 35V |
| C13 | 12-10004-103 | Capacitor, Ceramic .01uf |
| C14 | 12-10001-102 | Capacitor, .001uf |
| C15 | 12-30001-476 | Capacitor, Tantalum 47uf |
| C16 | 12-20002-108 | Capacitor, Electrolytic 1,000uf |
| C17 | 12-30001-225 | Capacitor, Tantalum 2.2uf 25V |
| C18 | 12-30001-225 | Capacitor, Tantalum 2.2uf 25V |
| C19 | 12-30001-105 | Capacitor, Tantalum 1.uf 35V |
| F1 | 24-00003-010 | 10A Fuse |
| F2 | 24-00003-010 | 10A Fuse |
| F3 | 24-00003-003 | Fuse, 2A |
| F4 | 24-00003-004 | Fuse, 4A |
| F5 | 24-00003-004 | Fuse, 4A |
| BR1 | 13-00100-025 | Diode Bridge 25A, 100V |
| BR2 | 13-00100-012 | Diode Bridge 12A, 100V |
| BR3 | 13-00100-002 | Diode Bridge 2A, 100V |
| D1 | 13-14002-001 | Diode IN4002 |
| D2 | 13-14002-001 | Diode IN4002 |
| D3 | 13-10752-001 | Diode, Zener IN752 |
| D4 | 13-14002-001 | Diode IN4002 |
| D5 | 13-14002-001 | Diode IN4002 |
| D6 | 13-14002-001 | Diode IN4002 |
| D7 | 13-10964-001 | Diode, Zener IN964 |
| D8 | 13-14002-001 | Diode IN4002 |
| D9 | 13-14002-001 | Diode IN4002 |
| D10 | 13-14002-001 | Diode IN4002 |
| D11 | 13-14002-001 | Diode IN4002 |
| D12 | 13-14002-001 | Diode IN4002 |
| LED1 | 13-00001-001 | LED (Red) |
| LED2 | 13-00001-001 | LED (Red) |
| LED3 | 13-00001-001 | LED (Red) |
| LED4 | 13-00001-001 | LED (Red) |
| U1 | 15-62500-001 | Opto Coupler H11AA2 |
| U2 | 15-50556-001 | Timer (Dual) 556 |
| U3 | 15-50723-001 | Voltage Regulator 723 |
| U4 | 15-50723-001 | Voltage Regulator 723 |

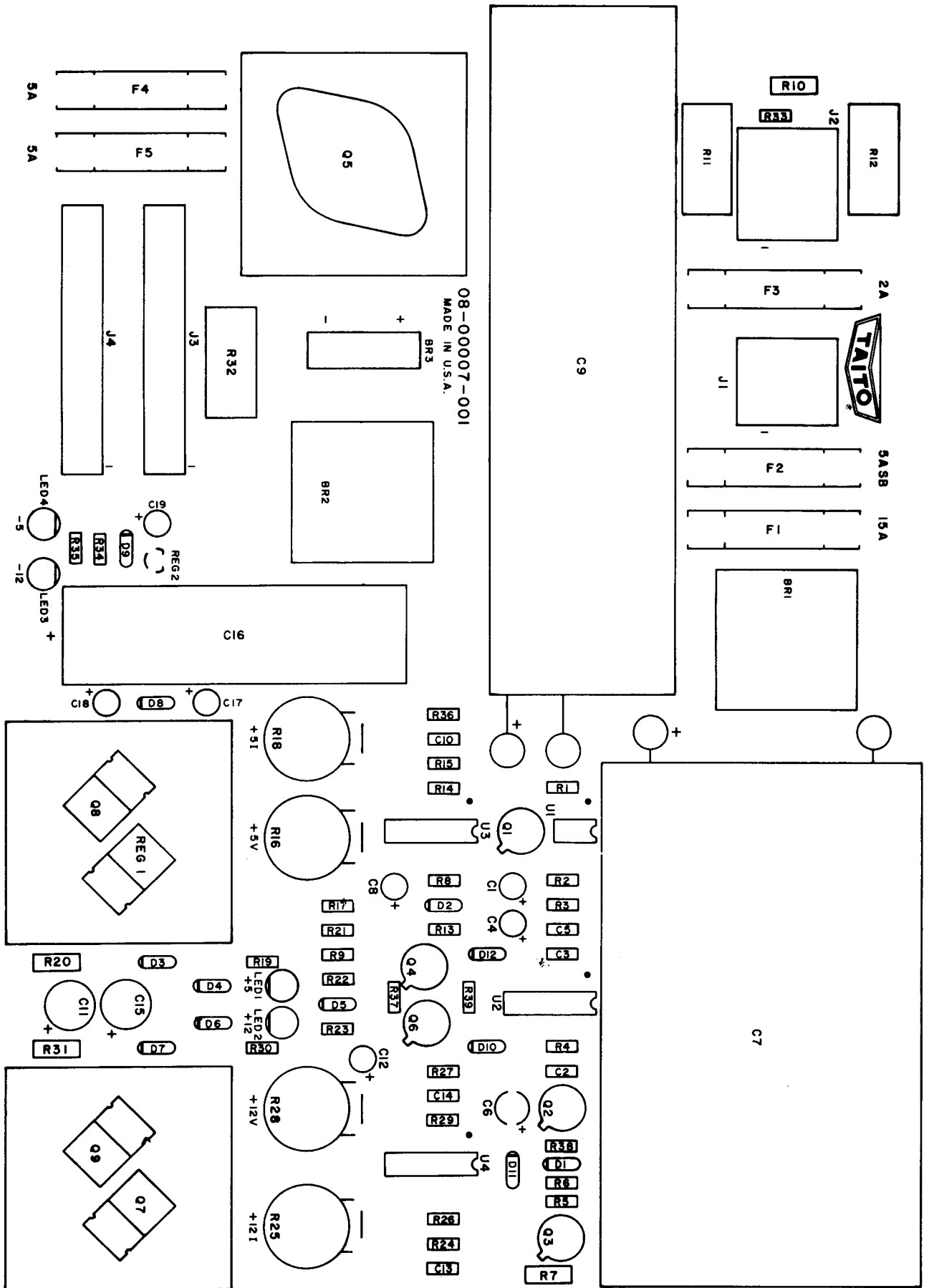
POWER SUPPLY

FIGURE 17

| SYM | TAITO PART NO. | DESCRIPTION |
|------------|---------------------------|-----------------------------|
| REG1 | 15-57912-001 | Voltage Regulator 7912 |
| REG2 | 15-57905-001 | Voltage Regulator 79L05 |
| Q1 | 14-22905-001 | Transistor 2N2905 |
| Q2 | 14-22905-001 | Transistor 2N2905 |
| Q3 | 14-22905-001 | Transistor 2N2905 |
| Q4 | 14-22905-001 | Transistor 2N2905 |
| Q5 | 14-23055-001 | Transistor 2N3055 |
| Q6 | 14-22905-001 | Transistor 2N2905 |
| Q7 | 14-20030-001 | Transistor TIP-30A |
| Q8 | 14-26401-001 | SCR 2N6401 |
| Q9 | 14-26401-001 | SCR 2N6401 |
| J1 | 25-00022-006 | Connector, 1-380999-0 6Pin |
| J2 | 25-00022-008 | Connector, 350212-1 8Pin |
| J3 | 25-00002-014 | Connector, 09-60-1141 14Pin |
| J4 | 25-00002-014 | Connector, 09-60-1140 14Pin |
| | 24-10001-001 | Fuse Clips |
| | 30-00220-002 | Heat Sink Dual To-220 |
| | 30-00003-001 | Heat Sink Single To-3 |

POWER SUPPLY COMPONENT LAYOUT

FIGURE 17

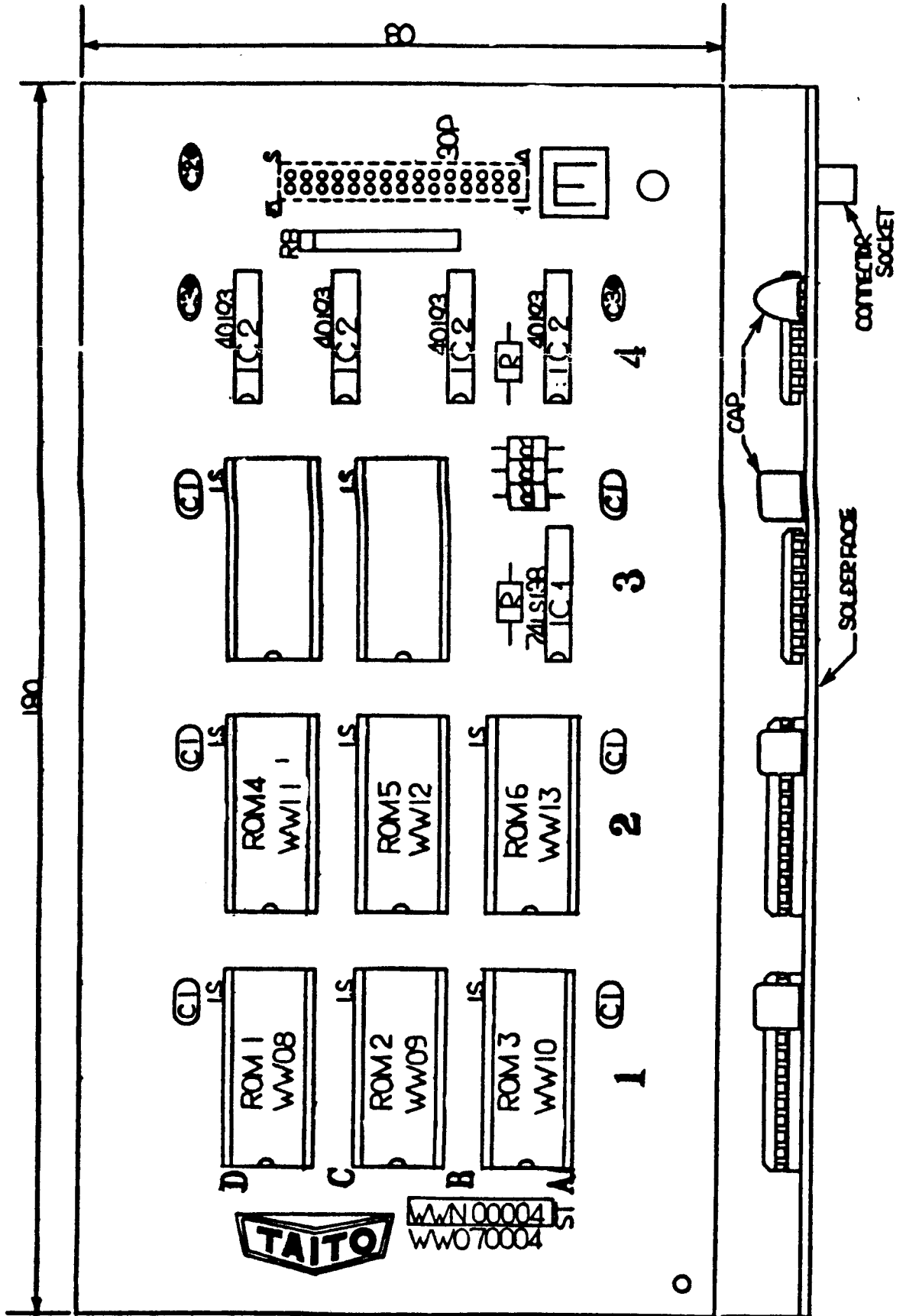


ROM BOARD**FIGURE 18**

| ITEM | SYM | TAITO PART NO. | DESCRIPTION |
|------|-------|----------------|---------------------------|
| 1 | | 99-WW070004 | ROM PC BOARD |
| 2 | | | NOT USED |
| 3 | 30P | 99-AA055161 | CONNECTOR SOCKET HKP-30FD |
| 4 | 1S | 99-AA055787 | IC - SOCKET 24P |
| 5 | | | NOT USED |
| 6 | IC1 | 99-AAT33096 | LS - IC 74LS138 |
| 7 | IC2 | 99-AAT36071 | CMOS 40193 |
| 8 | ROM 1 | 99-WW090408 | PROM (2732) WW08 |
| 9 | ROM 2 | 99-WW090409 | PROM (2732) WW09 |
| 10 | ROM 3 | 99-WW090410 | PROM (2732) WW10 |
| 11 | ROM 4 | 99-WW090411 | PROM (2732) WW11 |
| 12 | ROM 5 | 99-WW090412 | PROM (2732) WW12 |
| 13 | ROM 6 | 99-WW09041 | PROM (2732) WW13 |
| 14 | | | NOT USED |
| 15 | | | NOT USED |
| 16 | | | NOT USED |
| 17 | C1 | 99-AAT41244 | CAP, FILM TDY-1H-104 |
| 18 | C2 | 99-AAT41430 | CAP, TANTALUM SSG25-10F |
| 19 | C3 | 99-AAT41436 | CAP, TANTALUM SSG35-1F |
| 20 | R | 99-AAT51765 | RES, CARBON 1 KOHM ¼W 5% |
| 21 | RB | 99-AA062637 | TINNED COPPER WIRE 10 |
| 22 | | | NOT USED |
| 23 | S1 | 99-WW070213 | PC BOARD STICKER WWN00004 |

ROM BOARD COMPONENT LAYOUT

FIGURE 18



CPU BOARD

FIGURE 19

| ITEM | SYM | TAITO PART NO. | DESCRIPTION |
|------|--------|----------------|-------------------------------|
| 1 | | 99-WW070003 | CPU BOARD |
| 2 | ST | 99-WW070202 | PC BOARD STICKER WWN00003 |
| 3 | 50P | 99-AA055310 | ANGLE PIN HEADER PS-50P |
| 4 | 1S1 | 99-AA055787 | IC - SOCKET 24P |
| 5 | 1S2 | 99-AA055812 | IC - SOCKET 40P |
| 6 | TP | 99-AA056551 | TEST POINT |
| 7 | XTAL 2 | 99-AA069605 | X-TAL 12MHZ |
| 8 | XTAL 1 | 99-AA069608 | X-TAL 8MHZ |
| 9 | 1S3 | 99-AA055103 | IC - SOCKET 18P |
| 10 | CB | 99-AA069557 | LOCKING CIRCUIT BOARD SUPPORT |
| 11 | IC1 | 99-AAT32163 | STATIC RAM 2114-7 |
| 12 | IC2 | 99-AAT32178 | STATIC RAM TMM2016P |
| 13 | IC3 | 99-AAT33001 | LS-IC 74LS00 |
| 14 | IC4 | 99-AAT33003 | LS-IC 74LS02 |
| 15 | IC5 | 99-AAT33005 | LS-IC 74LS04 |
| 16 | IC6 | 99-AAT33009 | LS-IC 74LS08 |
| 17 | IC7 | 99-AAT33011 | LS-IC 74LS10 |
| 18 | | | NOT USED |
| 19 | IC9 | 99-AAT33027 | LS-IC 74LS32 |
| 20 | IC10 | 99-AAT33051 | LS-IC 74LS74 |
| 21 | IC11 | 99-AAT33059 | LS-IC 74LS83 |
| 22 | IC12 | 99-AAT33061 | LS-IC 74LS85 |
| 23 | IC13 | 99-AAT33062 | LS-IC 74LS86 |
| 24 | IC14 | 99-AAT33096 | LS-IC 74LS138 |
| 25 | IC15 | 99-AAT33112 | LS-IC 74LS157 |
| 26 | IC16 | 99-AAT33116 | LS-IC 74LS161 |
| 27 | IC17 | 99-AAT33119 | LS-IC 74LS164 |
| 28 | IC18 | 99-AAT33126 | LS-IC 74LS173 |
| 29 | IC19 | 99-AAT33127 | LS-IC 74LS174 |
| 30 | IC20 | 99-AAT33128 | LS-IC 74LS175 |
| 31 | IC21 | 99-AAT33203 | LS-IC 74LS367 |
| 32 | IC22 | 99-AAT33209 | LS-IC 74LS374 |

| ITEM | SYM | TAITO PART NO. | DESCRIPTION |
|------|-------|----------------|-------------------------------|
| 33 | IC23 | 99-AAT33220 | LS-IC 74LS393 |
| 34 | CPU | 99-AAT34008 | CPU 7-80A |
| 35 | IC24 | 99-AAT32003 | TTL-IC 7404 |
| 36 | IC25 | 99-AAT32099 | TTL-IC 74367 |
| 37 | C1 | 99-AAT41023 | CAP, ELECTROLYTIC 16VB220 |
| 38 | C2 | 99-AAT41244 | CAP, FILM TDY-1H-104 |
| 39 | C3 | 99-AAT41302 | CAP, CERAMIC 22PF50V |
| 40 | C4 | 99-AAT41324 | CAP, CERAMIC 180PF50V |
| 41 | C5 | 99-AAT41330 | CAP, CERAMIC 330PF50V |
| 42 | C6 | 99-AAT41411 | CAP, CERAMIC 10000P50V |
| 43 | C7 | 99-AAT41436 | CAP, TANTALUM SSG35-1F |
| 44 | R1 | 99-AAT51749 | RES, CARBON 220 OHM ¼W 5% |
| 45 | R2 | 99-AAT51253 | RES, CARBON 330 OHM ¼W 5% |
| 46 | R3 | 99-AAT51265 | RES, CARBON 1 KOHM ¼W 5% |
| 47 | | | NOT USED |
| 48 | ROM 1 | 99-WW090401 | PROM (2732) WW01 |
| 49 | ROM 2 | 99-WW090401C | PROM (2732) WW02 |
| 50 | ROM 3 | 99-WW090403 | PROM (2732) WW03 |
| 51 | ROM 4 | 99-WW090404 | PROM (2732) WW04 |
| 52 | ROM 5 | 99-WW090405 | PROM (2732) WW05 |
| 53 | ROM 6 | 99-WW090406 | PROM (2732) WW06 |
| 54 | ROM 7 | 99-WW090407 | PROM (2732) WW07 |
| 55 | | | NOT USED |
| 56 | | | NOT USED |
| 57 | | | NOT USED |
| 58 | IC26 | 99-AAT38003 | S-IC 74S04 |
| 59 | IC27 | 99-AAT32006 | TTL-IC 7475 |
| 60 | | | NOT USED |
| 61 | C8 | 99-AAT41318 | CAP, CERAMIC DT-201 100pf 50V |
| 62 | RB | 99-AAT55038 | RES BLOCK 1 OHM 8 ELEMENTS |

VIDEO BOARD

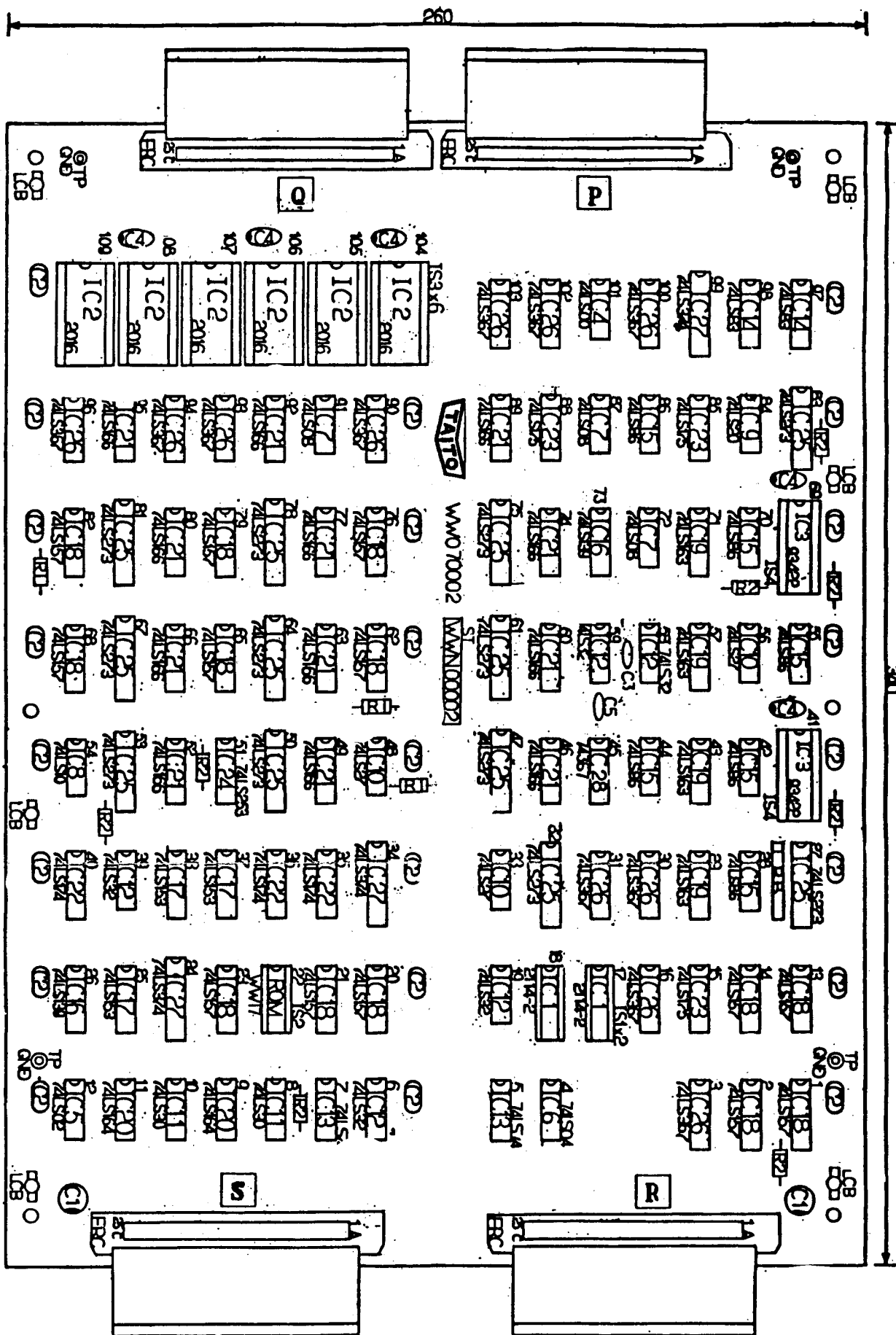
FIGURE 20

| ITEM | SYM | TAITO PART NO. | DESCRIPTION |
|------|------|----------------|-------------------------------|
| 1 | | 99-WW070002 | VIDEO PC BOARD |
| 2 | | NOT USED | |
| 3 | FRC | 99-AAS00262 | FRC HARNESS ASSY 50P |
| 4 | IS1 | 99-AA055103 | IC SOCKET 18P |
| 5 | IS2 | 99-AA055786 | IC SOCKET 16P |
| 6 | IS3 | 99-AA055787 | IC SOCKET 24P |
| 7 | IS4 | 99-AA055999 | IC SOCKET 22P |
| 8 | TP | 99-AA056551 | TEST POINT CHIP |
| 9 | CB | 99-AA069589 | LOCKING CIRCUIT BOARD SUPPORT |
| 10 | IC1 | 99-AAT32163 | STATIC RAM 2114-2 |
| 11 | IC2 | 99-AAT32178 | STATIC RAM TMM2016P |
| 12 | IC3 | 99-AAT32180 | TTL-RAM 93422 |
| 13 | IC4 | 99-AAT33001 | LS-IC 74LS00 |
| 14 | IC5 | 99-AAT33003 | LS-IC 74LS02 |
| 15 | IC6 | 99-AAT33005 | LS-IC 74LS04 |
| 16 | IC7 | 99-AAT33009 | LS-IC 74LS08 |
| 17 | IC8 | 99-AAT33011 | LS-IC 74LS10 |
| 18 | IC9 | 99-AAT33019 | LS-IC 74LS20 |
| 19 | IC10 | 99-AAT33024 | LS-IC 74LS27 |
| 20 | IC11 | 99-AAT33026 | LS-IC 74LS30 |
| 21 | IC12 | 99-AAT33027 | LS-IC 74LS32 |
| 22 | IC13 | 99-AAT33051 | LS-IC 74LS74 |
| 23 | IC14 | 99-AAT33059 | LS-IC 74LS83 |
| 24 | IC15 | 99-AAT33062 | LS-IC 74LS86 |

| ITEM | SYM | TAITO PART NO. | DESCRIPTION |
|------|------|----------------|-----------------------------|
| 25 | IC16 | 99-AAT33097 | LS-IC 74LS139 |
| 26 | IC17 | 99-AAT33108 | LS-IC 74LS153 |
| 27 | IC18 | 99-AAT33112 | LS-IC 74LS157 |
| 28 | IC19 | 99-AAT33118 | LS-IC 74LS163 |
| 29 | IC20 | 99-AAT33119 | LS-IC 74LS164 |
| 30 | IC21 | 99-AAT33121 | LS-IC 74LS166 |
| 31 | IC22 | 99-AAT33127 | LS-IC 74LS174 |
| 32 | IC23 | 99-AAT33128 | LS-IC 74LS175 |
| 33 | IC24 | 99-AAT33163 | LS-IC 74LS253 |
| 34 | IC25 | 99-AAT33170 | LS-IC 74LS273 |
| 35 | IC26 | 99-AAT33203 | LS-IC 74LS367 |
| 36 | IC27 | 99-AAT33209 | LS-IC 74LS374 |
| 37 | IC28 | 99-AAT32099 | LS-IC 74LS367 |
| 38 | ROM | 99-AAT90417 | ROM (745287) WW17 |
| 39 | | | NOT USED |
| 40 | C1 | 99-AAT41023 | CAP, ELECTROLYTIC 16VB220 |
| 41 | C2 | 99-AAT41244 | CAP, FILM TDY-1H-104 |
| 42 | C3 | 99-AAT41324 | CAP, CERAMIC DT-203-180P |
| 43 | C4 | 99-AAT41436 | CAP, TANTALUM SSG35-1F |
| 44 | R1 | 99-AAT51757 | RES, CARBON 470 OHM 1/4W 5% |
| 45 | R2 | 99-AAT51765 | RES, CARBON 1 OHM 1/4W 5% |
| 46 | RB | 99-AAT55036 | RES BLOCK 1K OHM 8 ELEMENTS |
| 47 | ST | 99-WW070202 | P C BOARD STICKER WWN00002 |
| 48 | C5 | 99-AAT41318 | CAP, CERAMIC DT20 100P |

VIDEO BOARD COMPONENT LAYOUT

FIGURE 20



GAME BOARD

FIGURE 21

| ITEM | SYM | TAITO PART NO. | DESCRIPTION |
|------|------|----------------|-------------------------------|
| 1 | | 99-WW070001 | GAME PCB |
| 2 | IS5 | 99-AA055103 | IC SOCKET 18P |
| 3 | DS | 99-AA052566 | DIP SWITCH |
| 4 | 12P | 99-AA055115 | SL56 POST HEADER 12P |
| 5 | 30P | 99-AA055160 | CONNECTOR PLUG HKP-30M |
| 6 | IS1 | 99-AA055169 | IC SOCKET 28P |
| 7 | 50P | 99-AA055310 | ANGLE PIN HEADER PS-50PA |
| 8 | IS2 | 99-AA055787 | IC SOCKET 24P |
| 9 | IS3 | 99-AA055817 | IC SOCKET 40P |
| 10 | IS4 | 99-AA055815 | IC SOCKET 20P |
| 11 | TP | 99-AA056551 | TEST POINT |
| 12 | ICB | 99-AA060557 | LOCKING CIRCUIT BOARD SUPPORT |
| 13 | TR1 | 99-AAT11040 | TRANSISTOR 25A423 |
| 14 | | | PAN HO SCREW M3X6 |
| 15 | | | NUT M3 |
| 16 | TR7 | 99-AAT11070 | TRANSISTOR 25D635 |
| 17 | | | PAN HO SCREW |
| 18 | | | NUT M3 |
| 19 | OP1 | 99-AAT31011 | OP AMPLIFIER 1M3000 |
| 20 | OP2 | 99-AAT31050 | OP AMPLIFIER MR3230 |
| 21 | | | PAN HO SCREW M3X8 |
| 22 | | | NUT M3 |
| 23 | IC1 | 99-AAT32033 | TTL-IC 7416 |
| 24 | IC2 | 99-AAT32049 | TTL-IC 7417 |
| 25 | IC3 | 99-AAT32163 | STATIC RAM 2114.2 |
| 26 | IC4 | 99-AAT32165 | SOUND IC AY38910 |
| 27 | IC5 | 99-AAT32179 | TTL - RAM 93410 |
| 28 | IC6 | 99-AAT33001 | LS-IC 74LS00 |
| 29 | IC7 | 99-AAT33003 | LS-IC 74LS02 |
| 30 | IC8 | 99-AAT33005 | LS-IC 74LS04 |
| 31 | IC9 | 99-AAT33008 | LS-IC 74LS08 |
| 32 | IC10 | 99-AAT33027 | TI (ONLY) 74LS37 |
| 33 | IC11 | 99-AAT33051 | LS-IC 74LS74 |
| 34 | IC12 | 99-AAT33020 | LS-IC 74LS96 |
| 35 | IC13 | 99-AAT33096 | LS-IC 74LS138 |
| 36 | IC14 | 99-AAT33097 | LS-IC 74LS139 |
| 37 | IC15 | 99-AAT33108 | LS-IC 74LS153 |
| 38 | IC16 | 99-AAT33110 | LS-IC 74LS155 |
| 39 | IC17 | 99-AAT33163 | LS-IC 74LS253 |
| 40 | IC18 | 99-AAT33164 | LS-IC 74LS257 |
| 41 | IC19 | 99-AAT33166 | LS-IC 74LS259 |
| 42 | IC20 | 99-AAT33127 | LS-IC 74LS174 |
| 43 | IC21 | 99-AAT33203 | LS-IC 74LS367 |
| 44 | IC22 | 99-AAT33209 | LS-IC 74LS374 |
| 45 | IC23 | 99-AAT33220 | LS-IC 74LS393 |
| 46 | CPU | 99-AAT34008 | CPU Z-80A |
| 47 | IC24 | 99-AAT36105 | CMOS MB14584 |

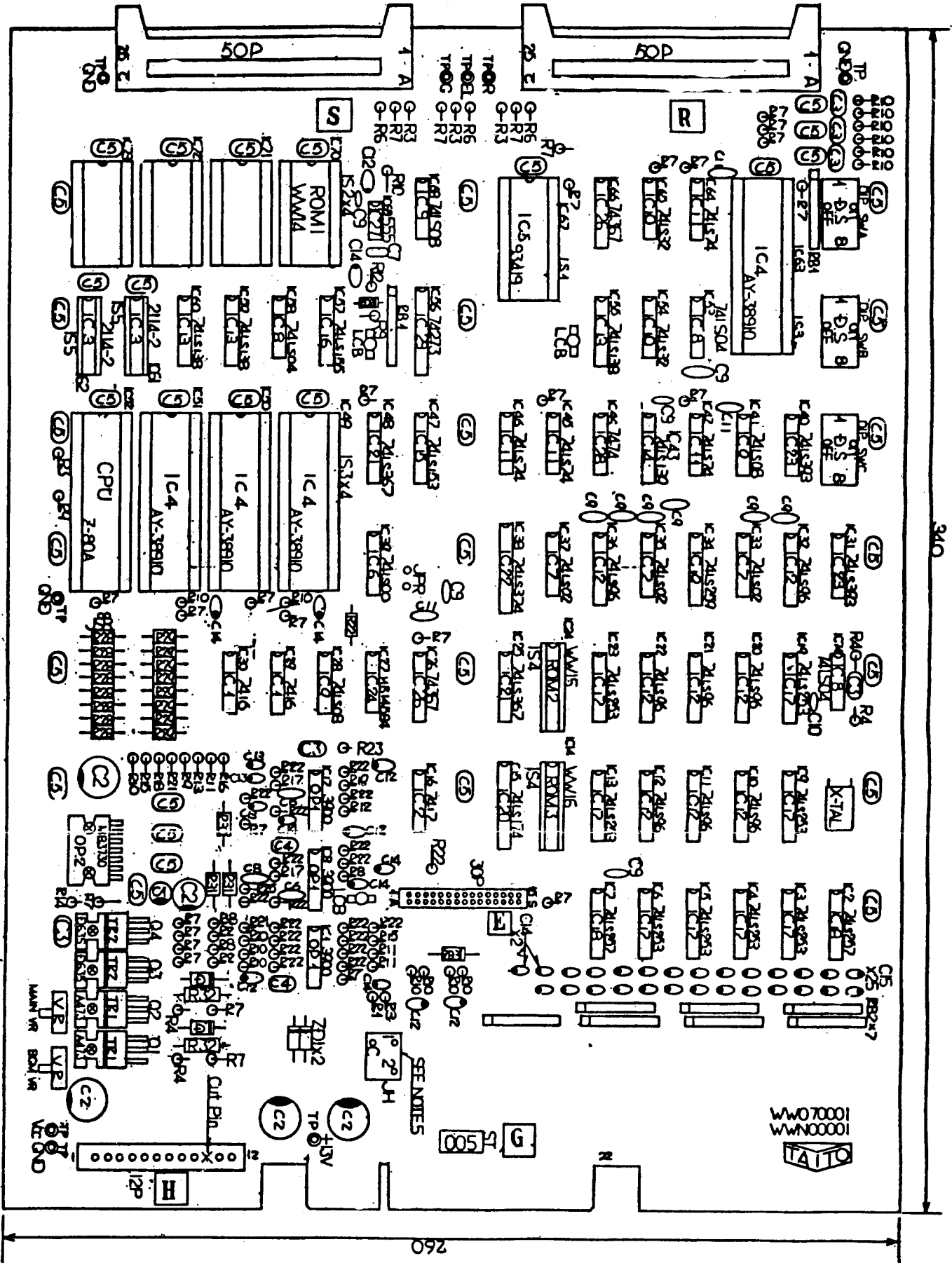
| ITEM | SYM | TAITO PART NO. | DESCRIPTION |
|------|------|----------------|------------------------------|
| 48 | | | NOT USED |
| 49 | IC26 | 99-AAT32099 | TTL IC 74367 |
| 50 | IC27 | 99-AAT32019 | TTL IC 7404 |
| 51 | IC28 | 99-AAT32011 | TTL IC 7474 |
| 52 | IC29 | 99-AAT32151 | TTL IC 74273 |
| 53 | | | NOT USED |
| 54 | C1 | 99-AAT41019 | CAP, ELECTROLYTIC 16VB220 MF |
| 55 | C2 | 99-AAT41023 | CAP, ELECTROLYTIC 16VB220 |
| 56 | C3 | 99-AAT41238 | CAP, FILM TDY-1M-103 |
| 57 | C4 | 99-AAT41740 | CAP, FILM TDY-1H-223 |
| 58 | C5 | 99-AAT41244 | CAP, FILM TDY-1H-104 |
| 59 | C6 | 99-AAT41310 | CAP, CERAMIC 47PF 50V |
| 60 | C7 | 99-AAT41242 | CAP, FILM |
| 61 | C8 | 99-AAT41322 | CAP, CERAMIC 150PF 50V |
| 62 | C9 | 99-AAT41374 | CAP, CERAMIC 180PF 50V |
| 63 | C10 | 99-AAT41321 | CAP, CERAMIC 22pf 50V |
| 64 | C11 | 99-AAT41334 | CAP, CERAMIC 470PF 50V |
| 65 | C12 | 99-AAT41430 | CAP, TANTALUM SSG25-10F |
| 66 | C13 | 99-AAT41431 | CAP, TANTALUM SSG25-0R1F |
| 67 | C14 | 99-AAT41436 | CAP, TANTALUM SSG35-1F |
| 68 | C15 | 99-AAT41432 | CAP, TANTALUM SSG35 7R2F |
| 69 | R1 | 99-AAT51741 | RES, CARBON 100 OHM 1/4W 5% |
| 70 | R2 | 99-AAT51761 | RES, CARBON 680 OHM 1/4W 5% |
| 71 | R3 | 99-AAT51751 | RES, CARBON 270 OHM 1/4W 5% |
| 72 | R4 | 99-AAT51753 | RES, CARBON 330 OHM 1/4W 5% |
| 73 | | | NOT USED |
| 74 | R6 | 99-AAT51757 | RES, CARBON 470 OHM 1/4W 5% |
| 75 | R7 | 99-AAT51765 | RES, CARBON 1K |
| 76 | R8 | 99-AAT51779 | RES, CARBON 3.9K 1/4W 5% |
| 77 | R9 | 99-AAT51781 | RES, CARBON 4.7K OHM 1/4W 5% |
| 78 | R10 | 99-AAT51789 | RES, CARBON 10K 1/4W 5% |
| 79 | R11 | 99-AAT51796 | RES, CARBON 20K OHM 1/4W 5% |
| 80 | R12 | 99-AAT51797 | RES, CARBON 22K OHM 1/4W 5% |
| 81 | R13 | 99-AAT51803 | RES, CARBON 39K OHM 1/4W 5% |
| 82 | R14 | 99-AAT51775 | RES, CARBON 82K OHM 1/4W 5% |
| 83 | R15 | 99-AAT51811 | RES, CARBON 82K OHM 1/4W 5% |
| 84 | R16 | 99-AAT51812 | RES, CARBON 100K 1/4 W 5% |
| 85 | R17 | 99-AAT51823 | RES, CARBON 270K 1/4W 5% |
| 86 | R18 | 99-AAT51825 | RES, CARBON 330K 1/4W 5% |
| 87 | R19 | 99-AAT51827 | RES, CARBON 390K 1/4W 5% |
| 88 | R20 | 99-AAT51829 | RES, CARBON 470K 1/4W 5% |
| 89 | R21 | 99-AAT51833 | RES, CARBON 680K 1/4W 5% |
| 90 | R22 | 99-AAT51837 | RES, CARBON 1M OHM 1/4W 5% |
| 91 | R23 | 99-AAT51733 | RES, CARBON 47 OHM 1/4W 5% |
| 92 | | | NOT USED |
| 93 | R25 | 99-AAT51845 | RES, CARBON 22M OHM 1/4W 5% |
| 94 | | | NOT USED |

GAME BOARD**FIGURE 21**

| ITEM | SYM | TAITO PART NO. | DESCRIPTION |
|-------------|------------|---------------------------|-------------------------------------|
| 95 | | | NOT USED |
| 96 | R28 | 99-AAT51068 | RES, CARBON 15 OHM ¼W 5% |
| 97 | R29 | 99-AAT51969 | RES, CARBON 30K OHM ¼W 5% |
| 98 | R30 | 99-AAT51971 | RES, CARBON 1M OHM ¼W 5% |
| 99 | R31 | 99-AAT51982 | RES, CARBON 1 OHM ¼W 5% |
| 100 | VR | 99-AAT53041 | RES, VARIABLE RESISTOR B-50K |
| 101 | RB1 | 99-AAT55036 | RES, BLOCK 1K OHM 8 ELEMENTS |
| 102 | RB2 | 99-AAT55061 | RES, BLOCK 10K½00 OHM 8 ELEMENTS |
| 109 | R32 | 99-AAT55033 | WINDING RES 6 OHM 2W 10% |
| 108 | D | 99-AAT12007 | DIODE V03C |
| 104 | ZD1 | 99-AAT13025 | FENNER DIODE RD4.7EC |
| 105 | ZD2 | 99-AAT13042 | FENNER DIODE RD2 7FBF |
| 106 | ZD3 | 99-AAT13028 | FENNER DIODE RD9A-M |
| 107 | ST | 99-EE070004 | HARNESS STICKER |
| 108 | | | NOT USED |
| 110 | X-TAL | 99-AA069593 | X-TAL .6MHz |
| 111 | ROM 1 | 99-WW090414 | PROM (2732) WW14 |
| 112 | ROM 2 | 99-WW090415 | ROM WW15 |
| 113 | ROM 3 | 99-WW090416 | ROM WW16 |

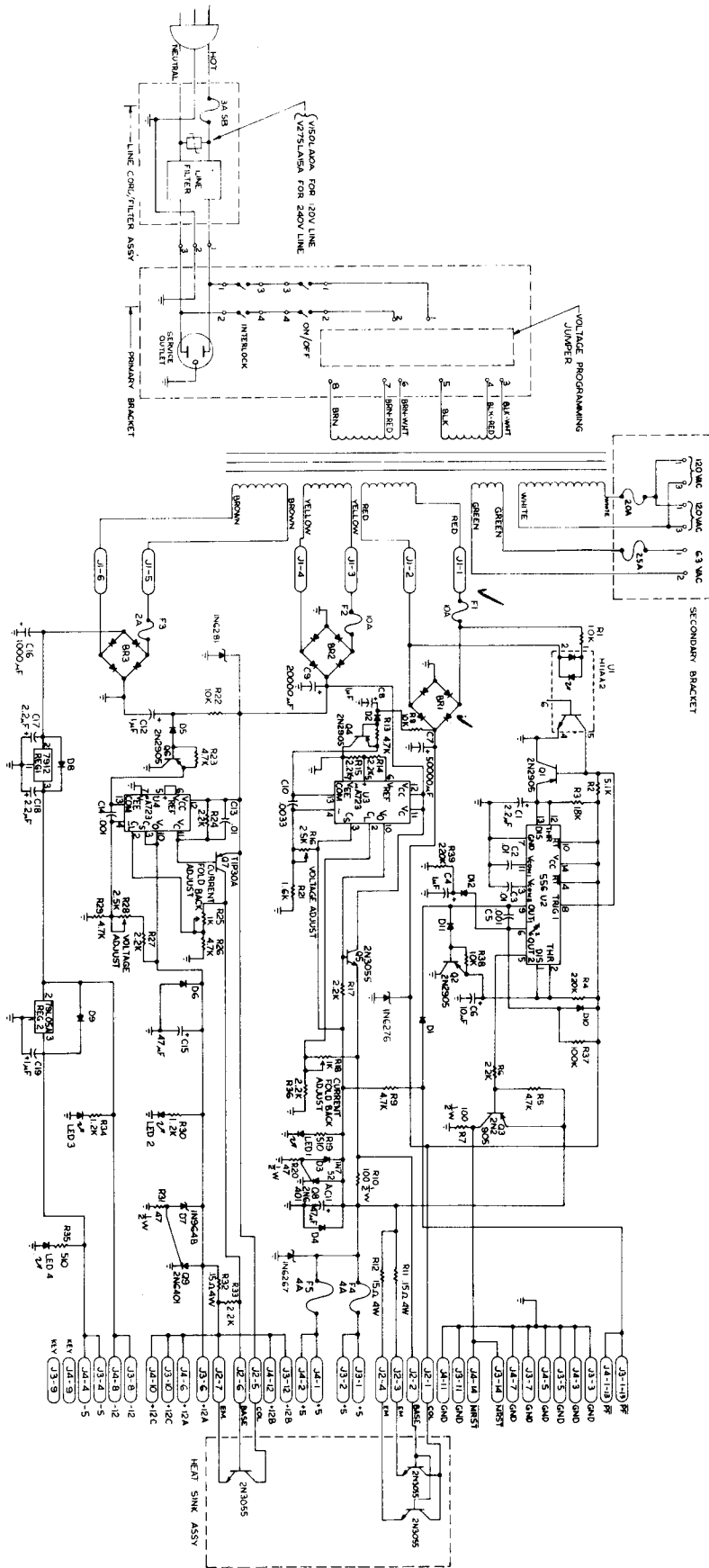
GAME BOARD COMPONENT LAYOUT

FIGURE 21



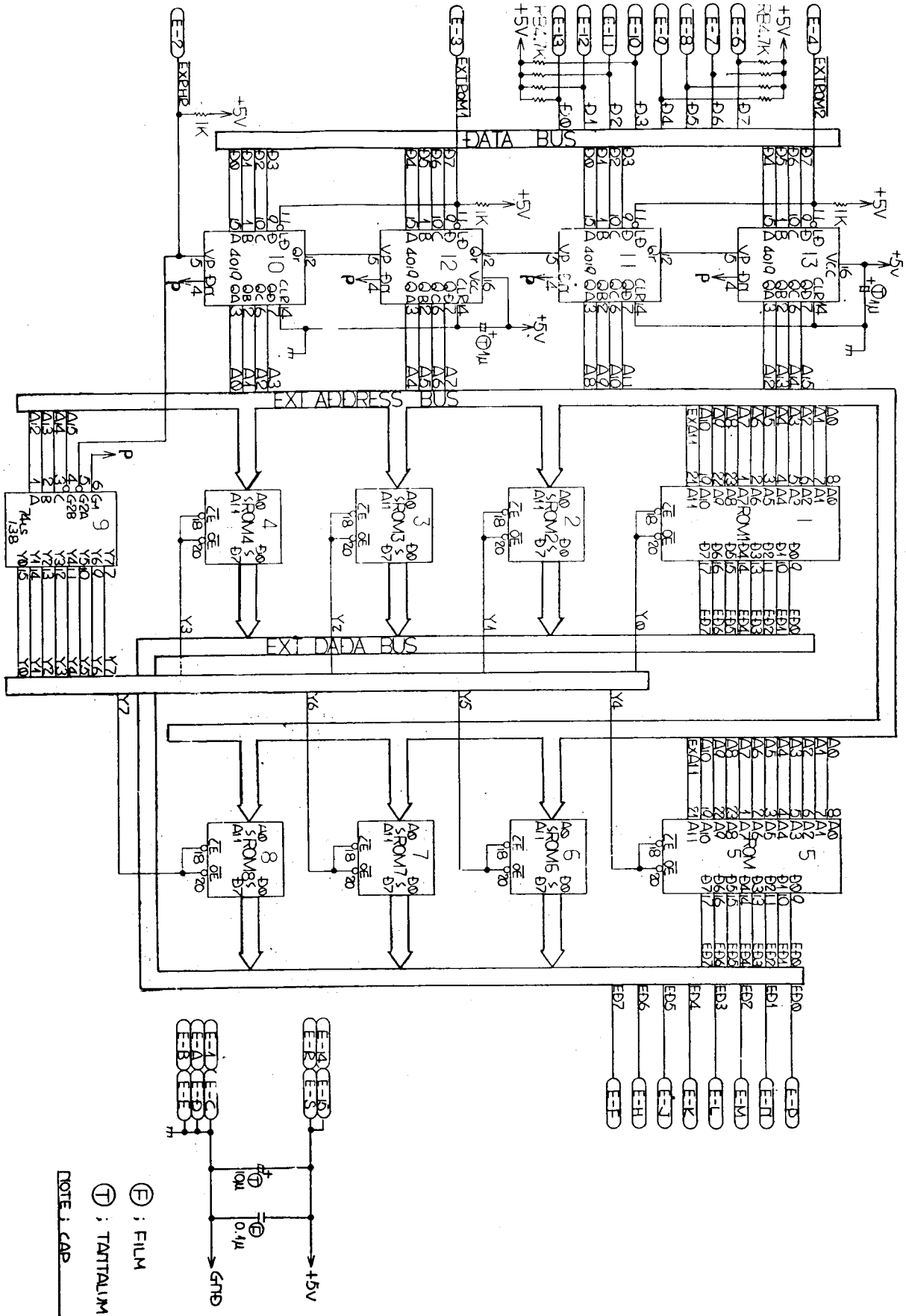
POWER SUPPLY SCHEMATIC 1 of 1

FIGURE 22



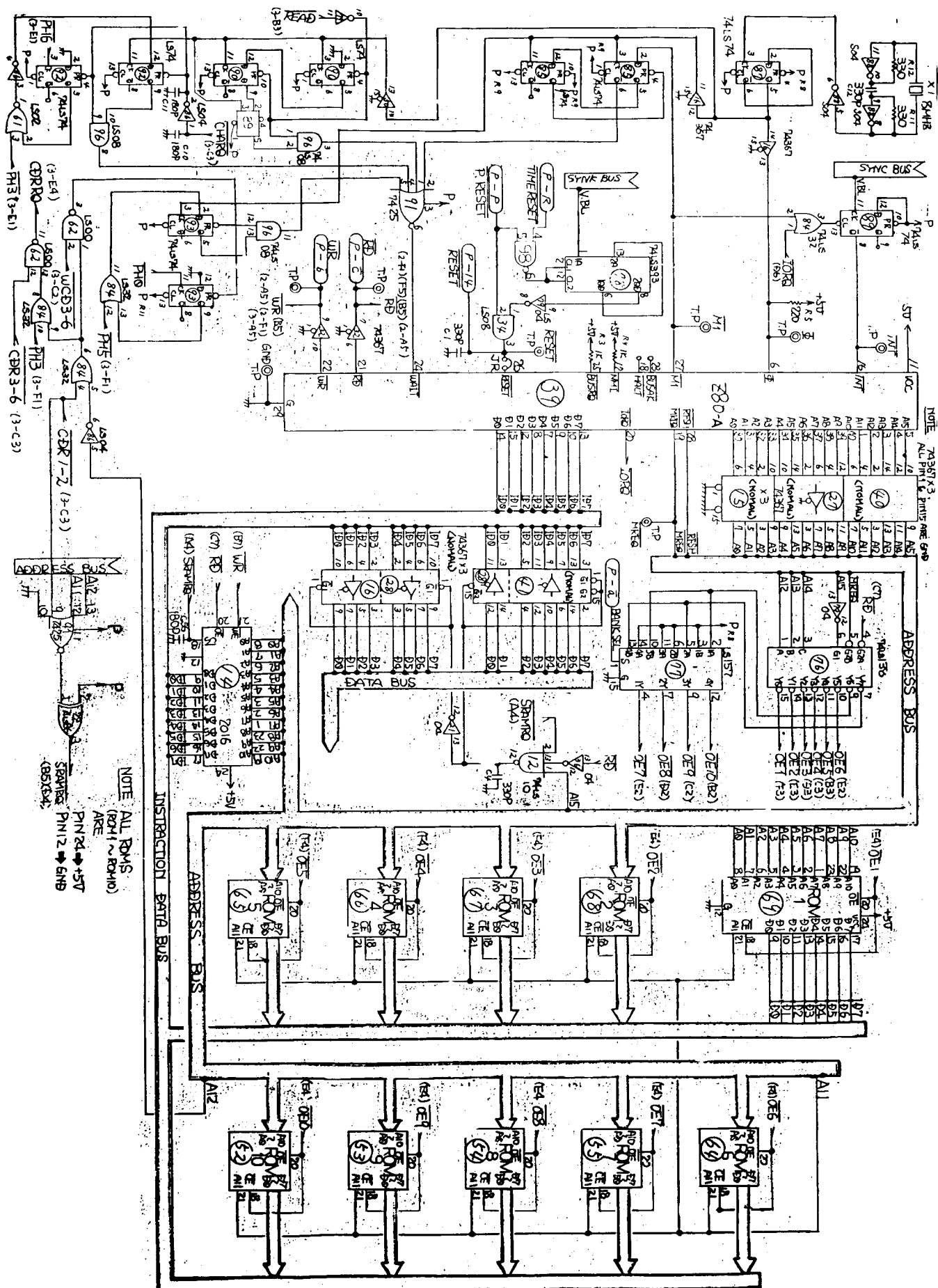
ROM PC BOARD SCHEMATIC 1 of 1

FIGURE 23



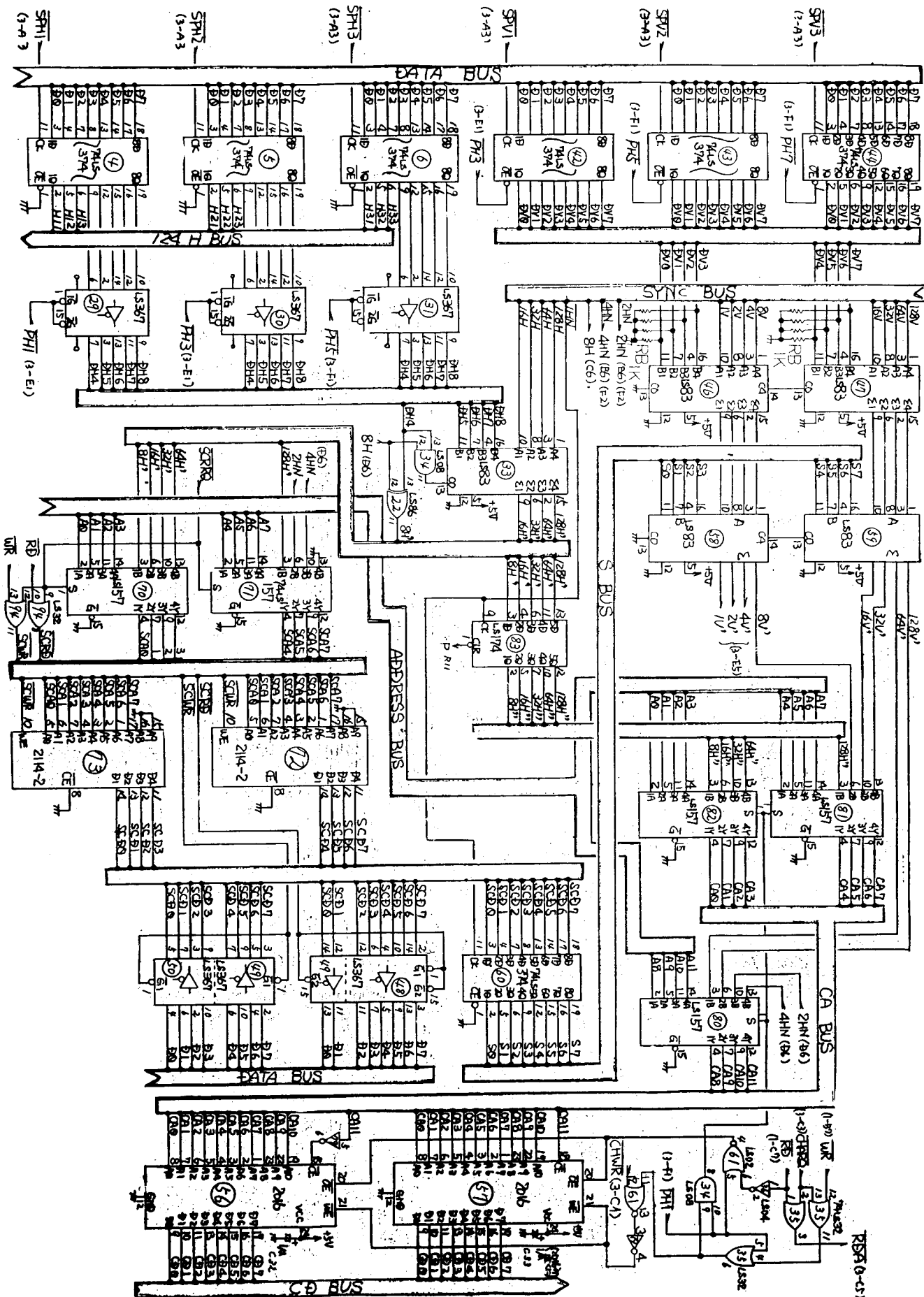
CPU PC BOARD SCHEMATIC 1 of 3

FIGURE 24



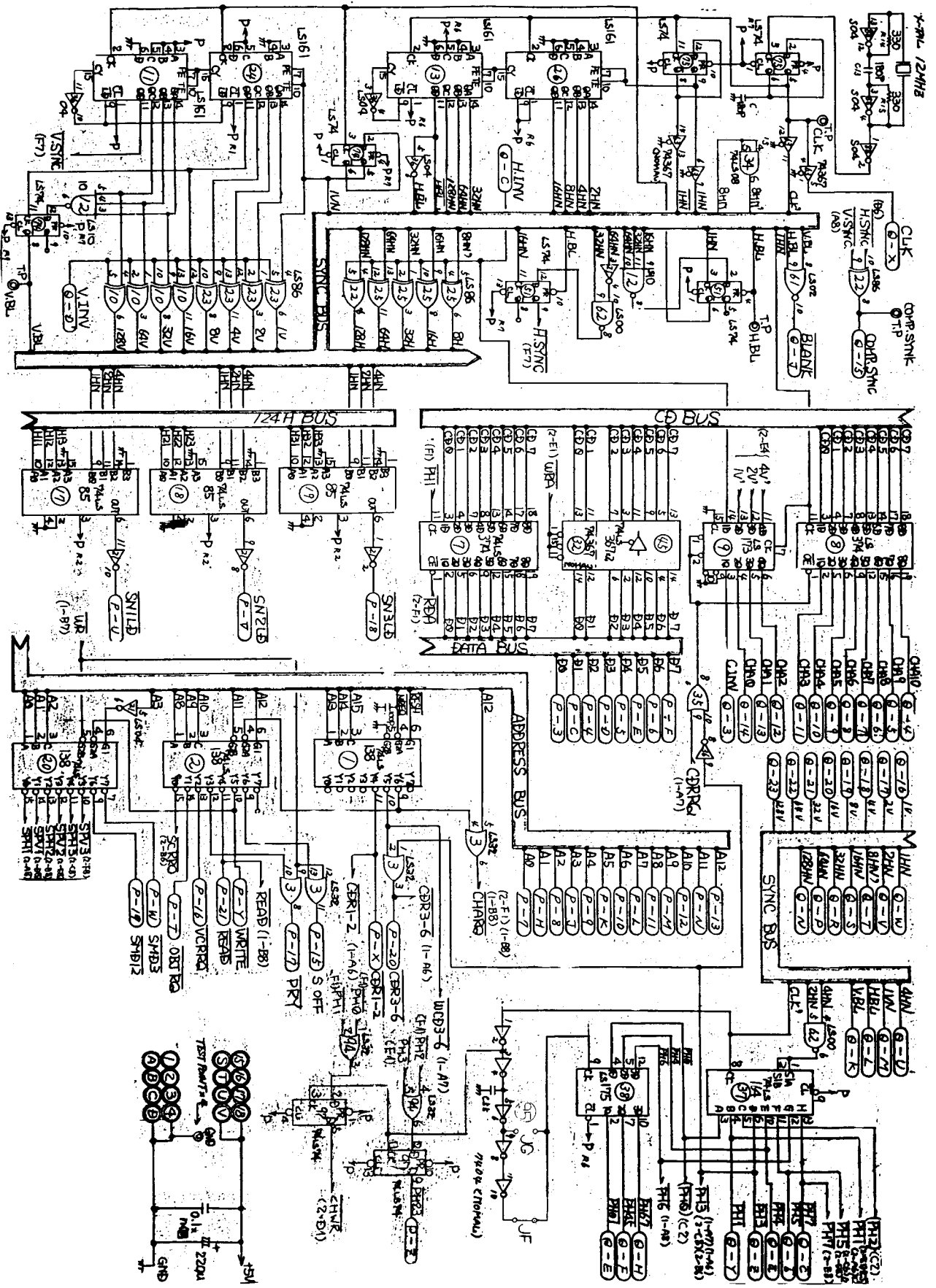
CPU PC BOARD SCHEMATIC 2 of 3

FIGURE 25



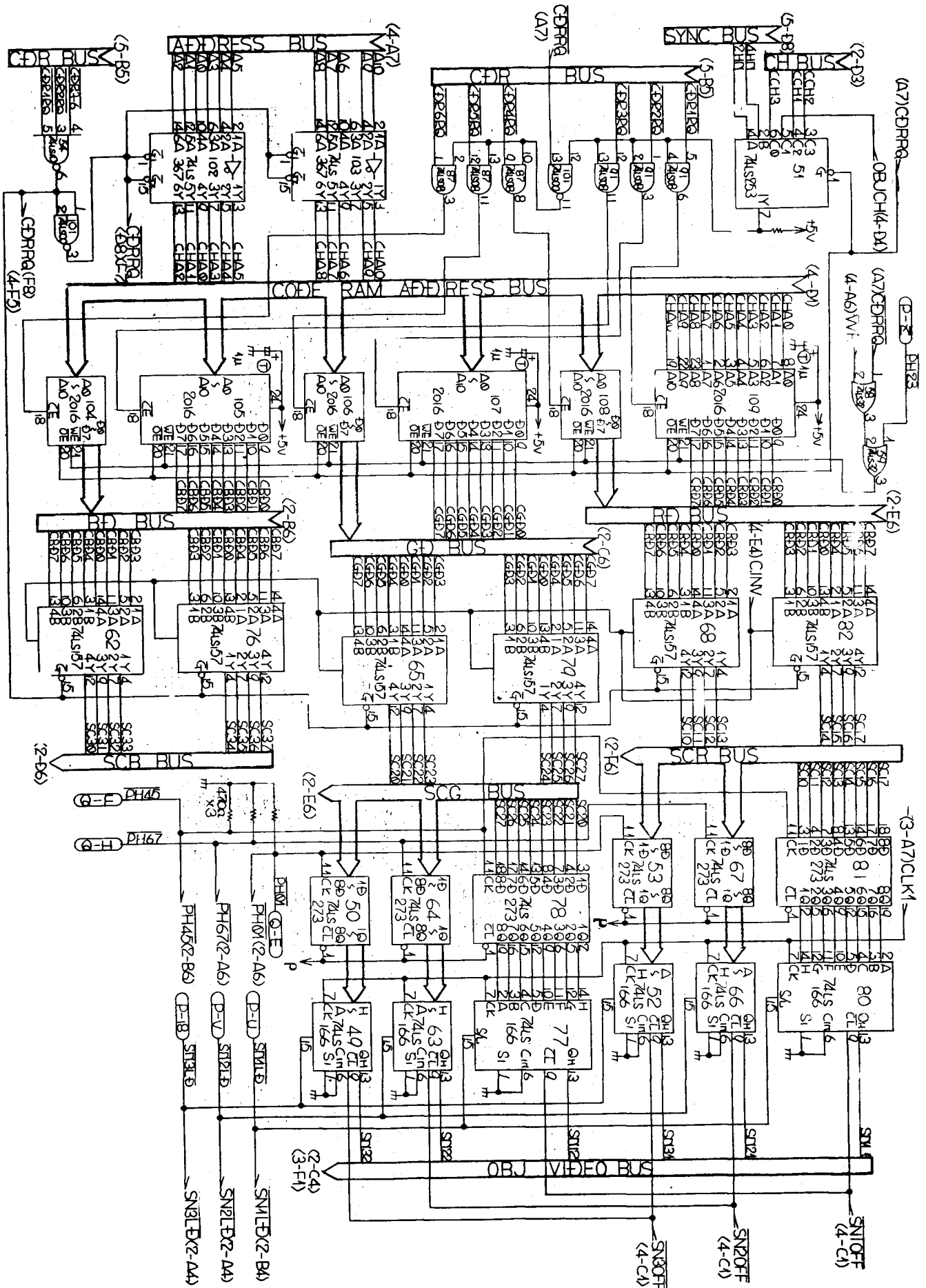
CPU PC BOARD SCHEMATIC 3 of 3

FIGURE 26



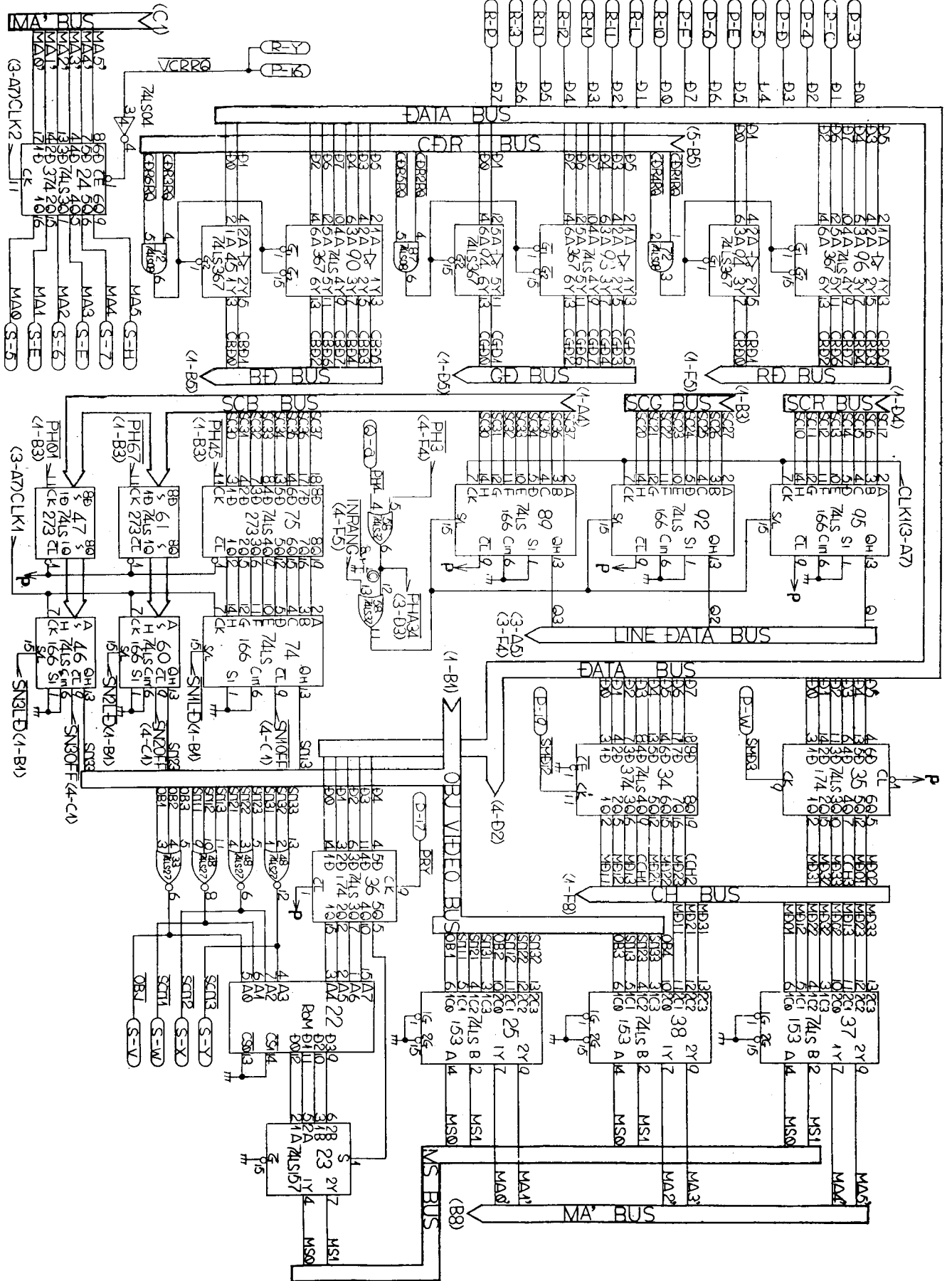
VIDEO PC BOARD SCHEMATIC 1 of 5

FIGURE 27



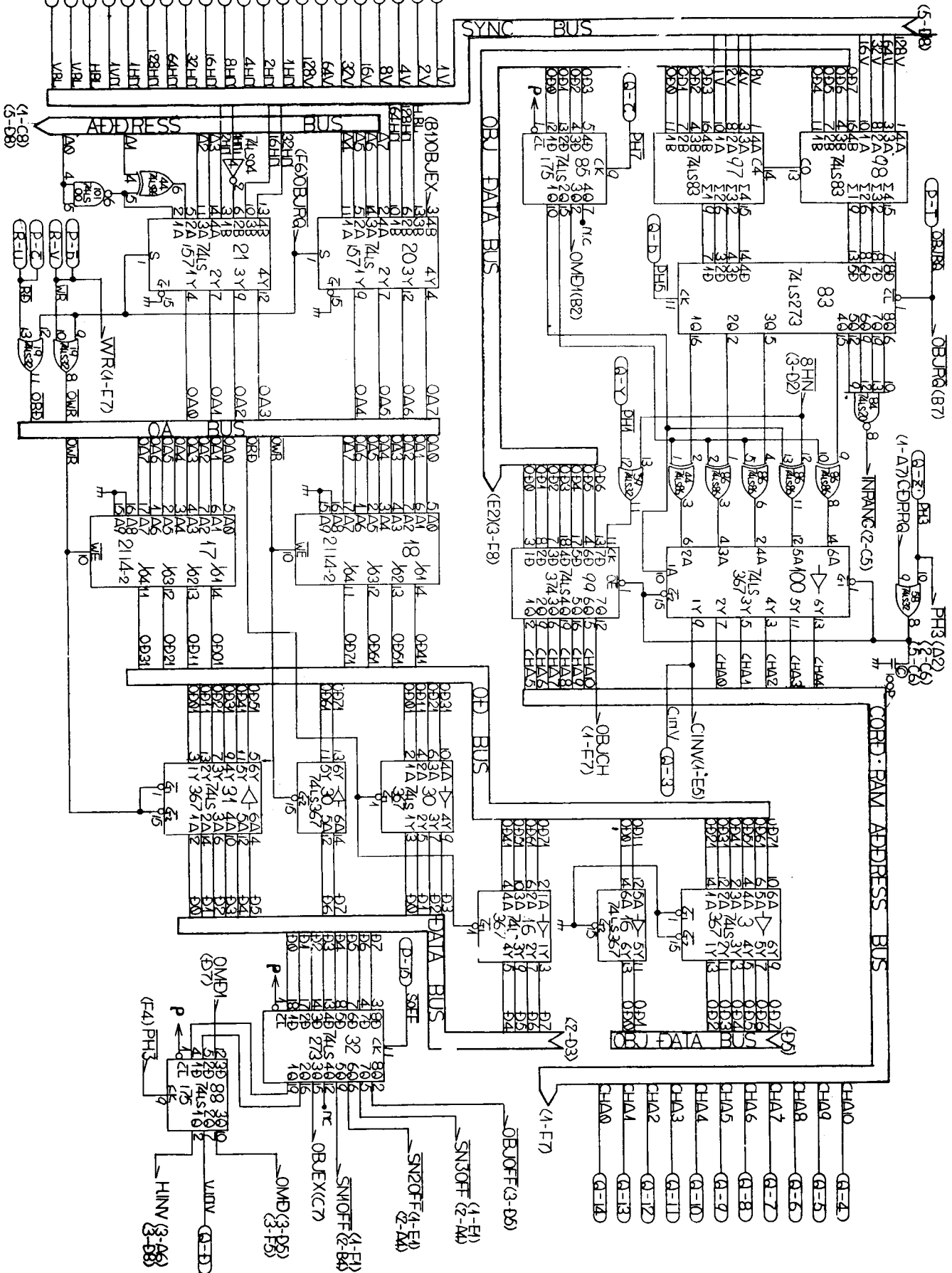
VIDEO PC BOARD SCHEMATIC 2 of 5

FIGURE 28



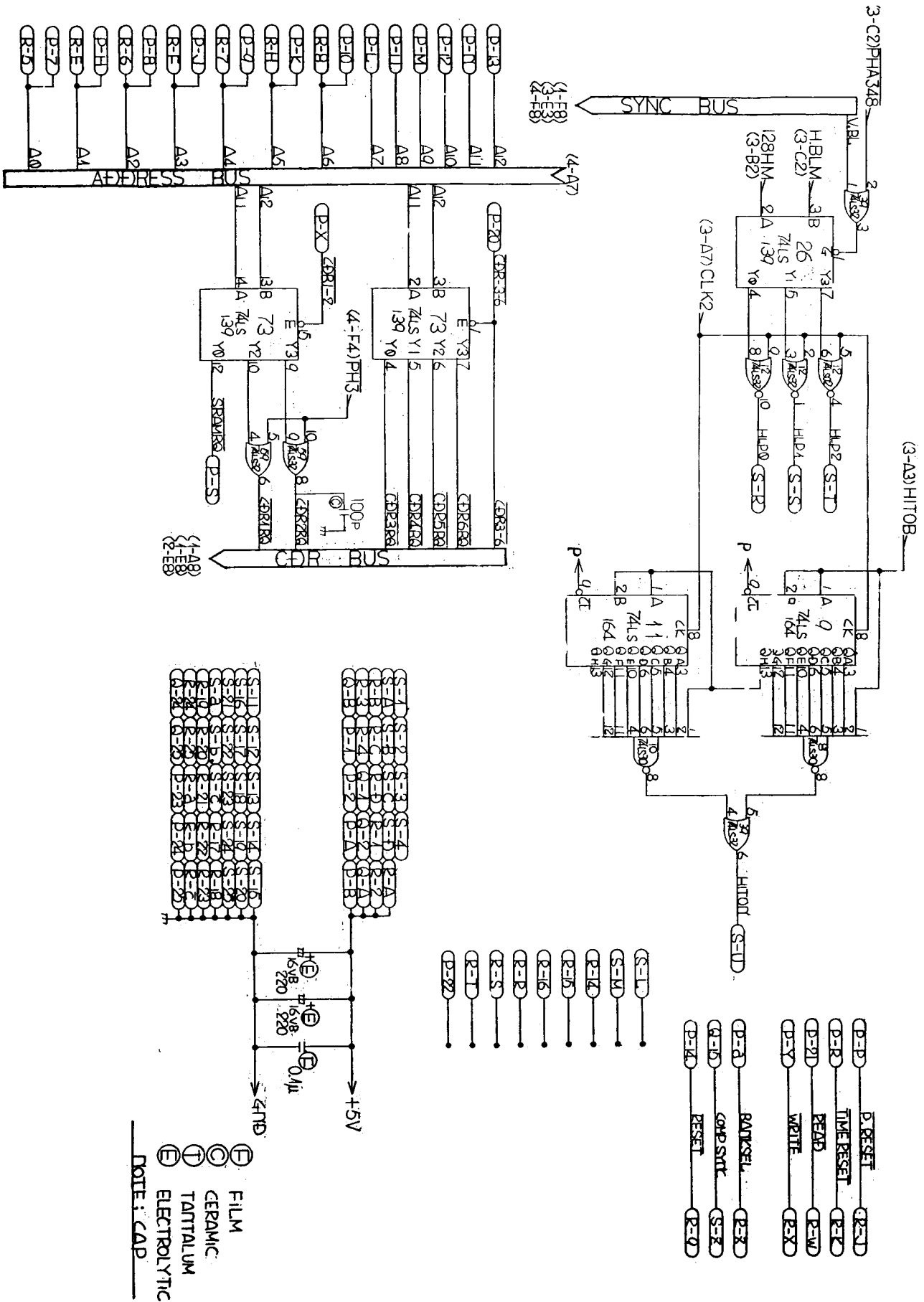
VIDEO PC BOARD SCHEMATIC 4 of 5

FIGURE 30



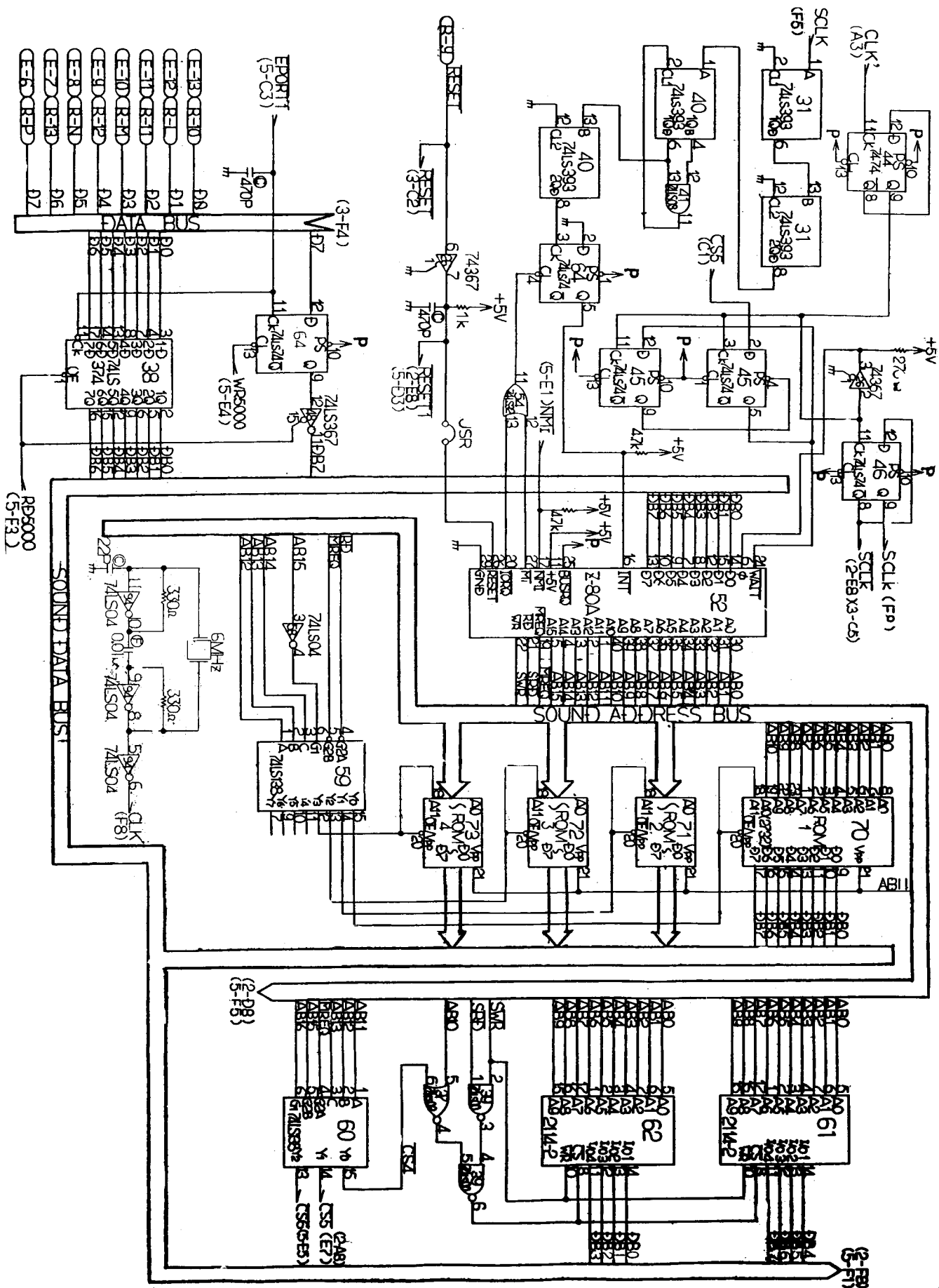
VIDEO PC BOARD SCHEMATIC 5 of 5

FIGURE 31



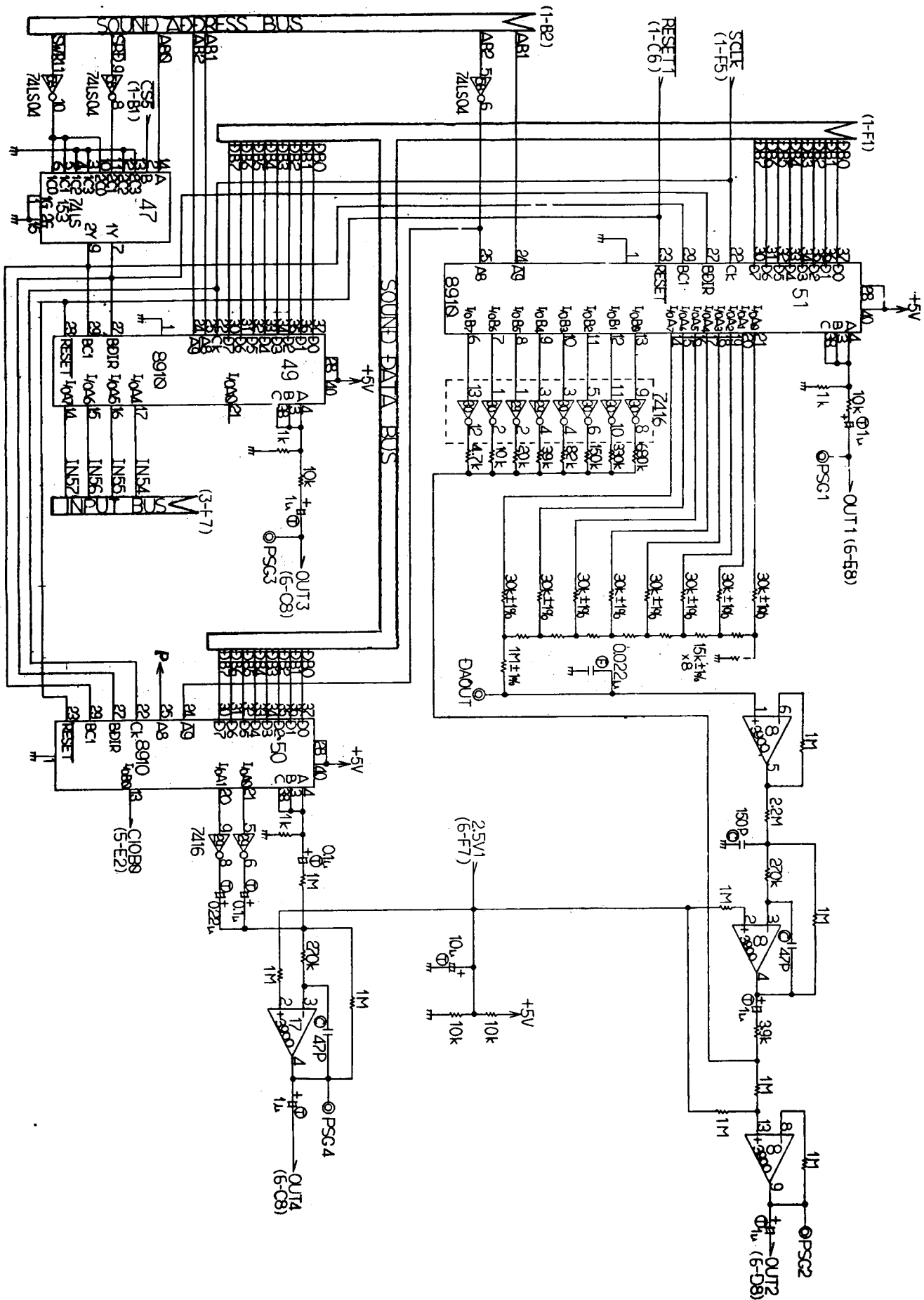
GAME PC BOARD SCHEMATIC 1 of 7

FIGURE 32



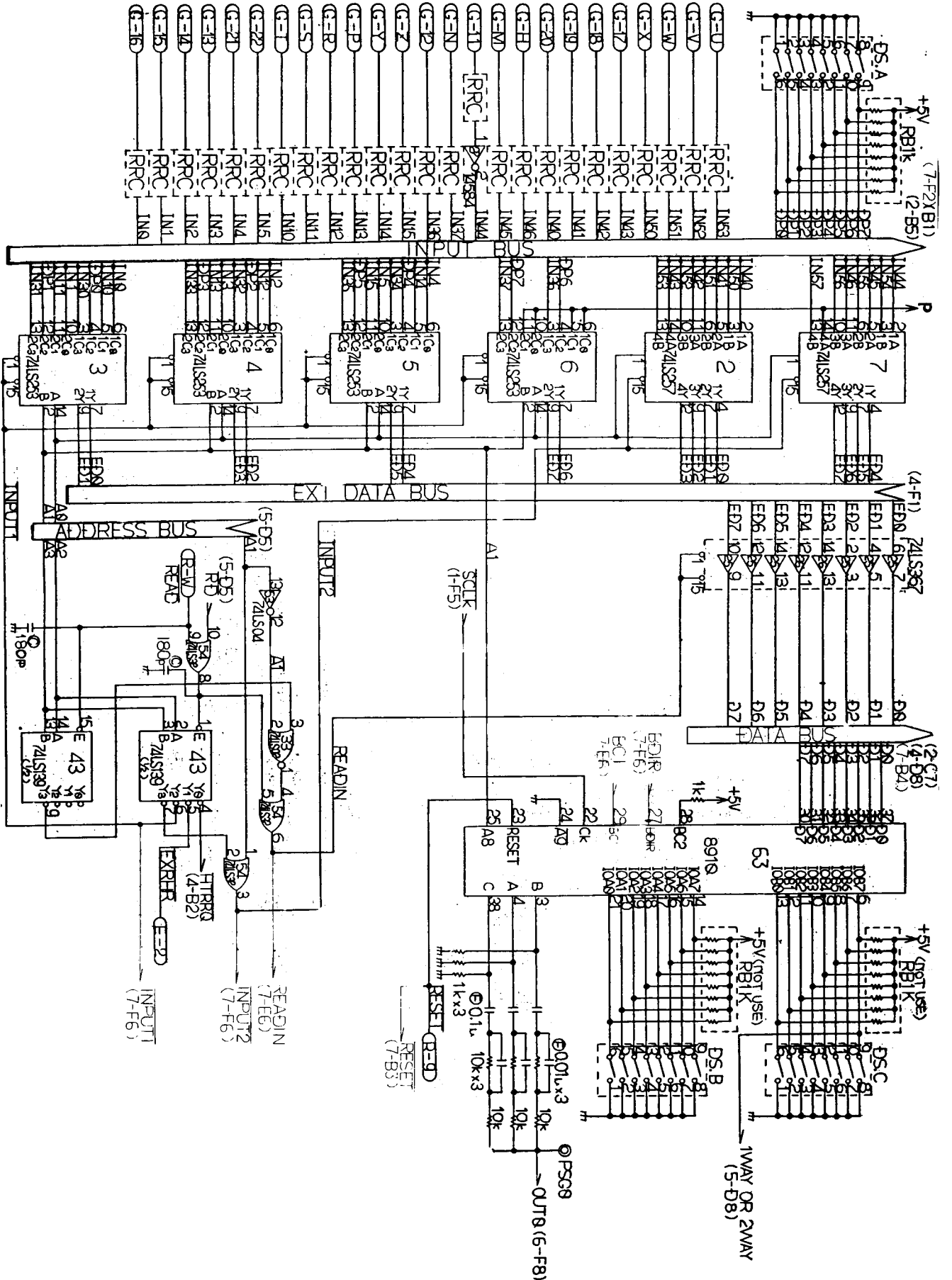
GAME PC BOARD SCHEMATIC 2 of 7

FIGURE 33



GAME PC BOARD SCHEMATIC 3 of 7

FIGURE 34



GAME PC BOARD SCHEMATIC 4 of 7

FIGURE 35

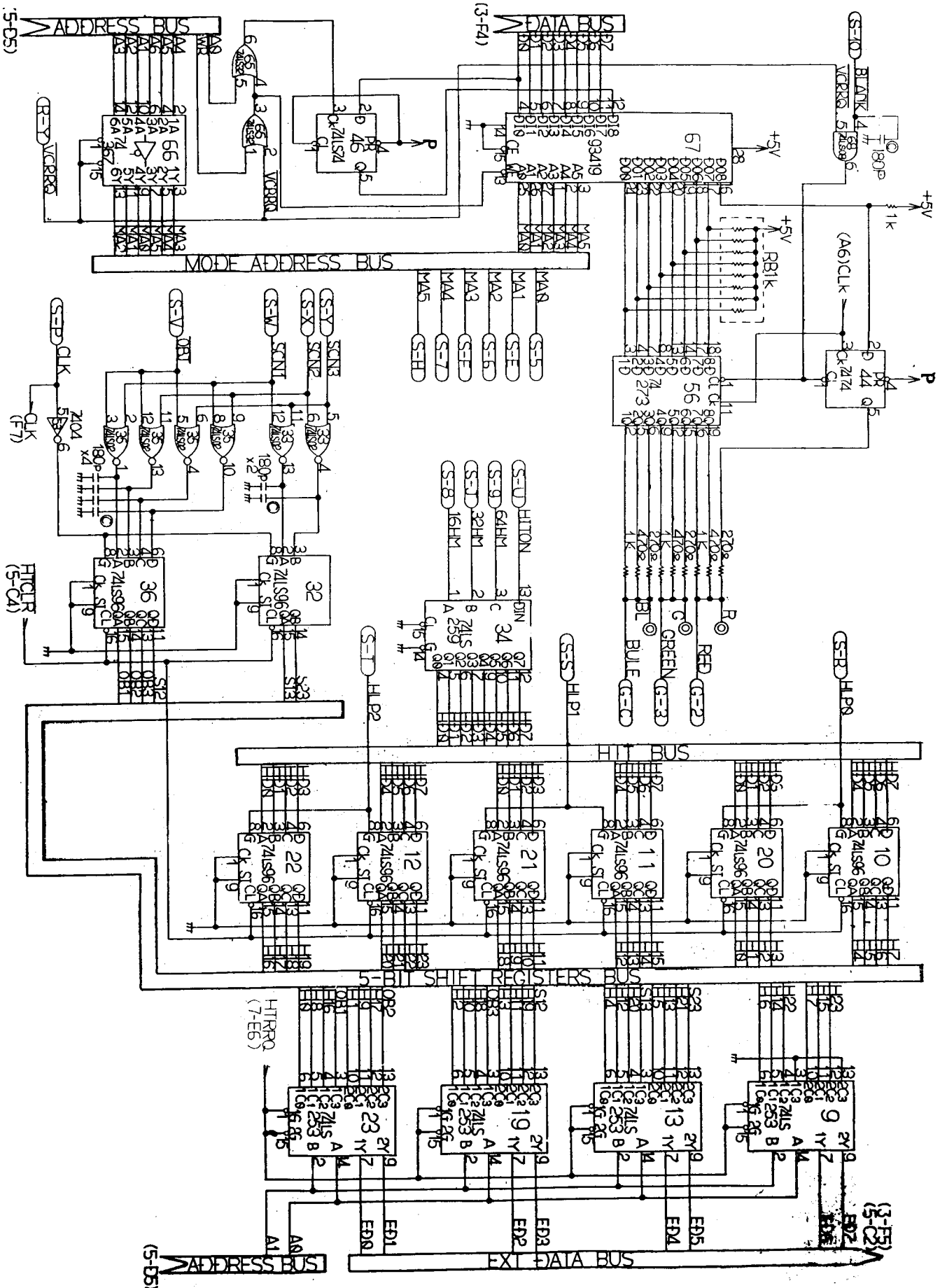
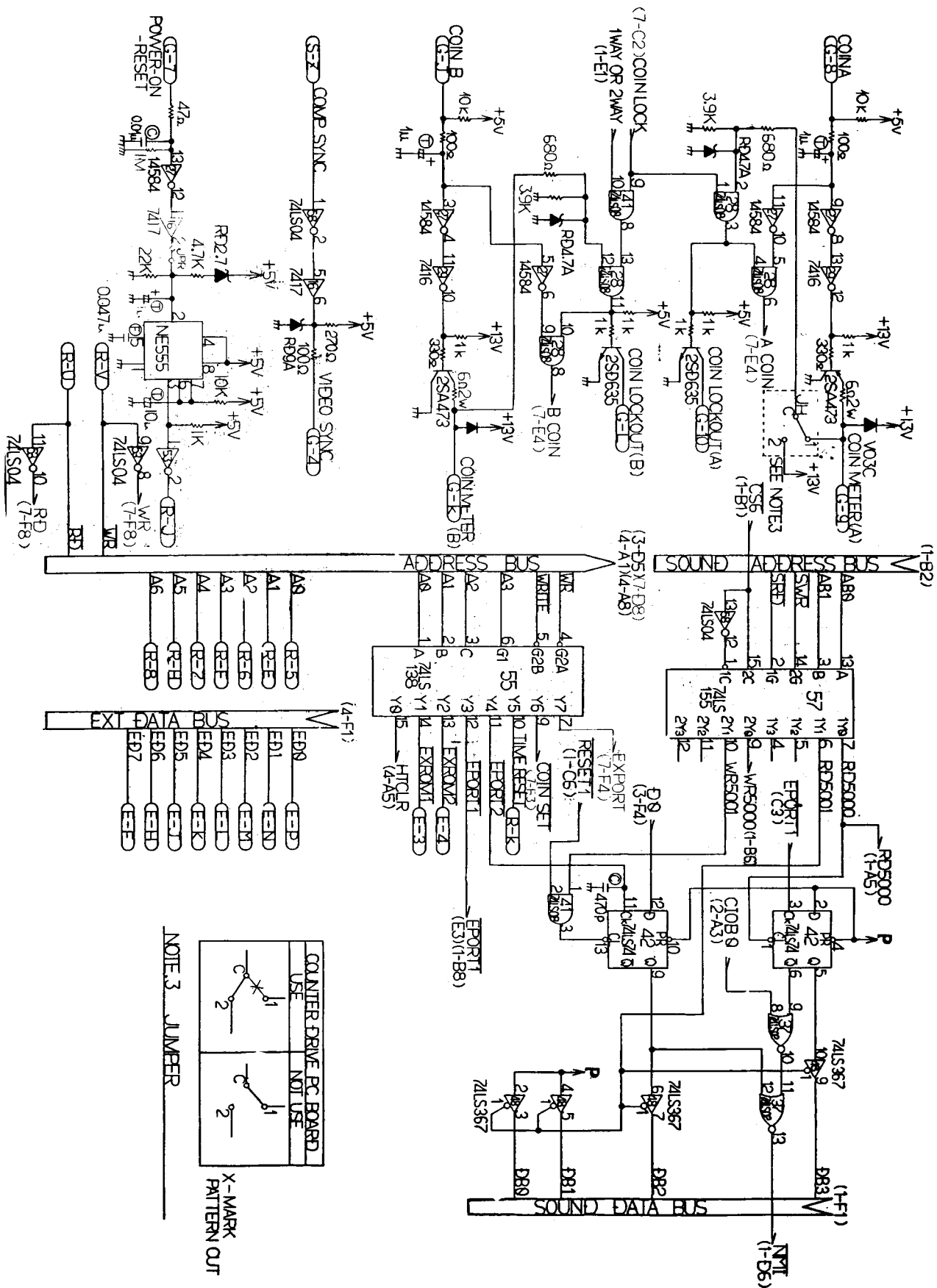


FIGURE 36

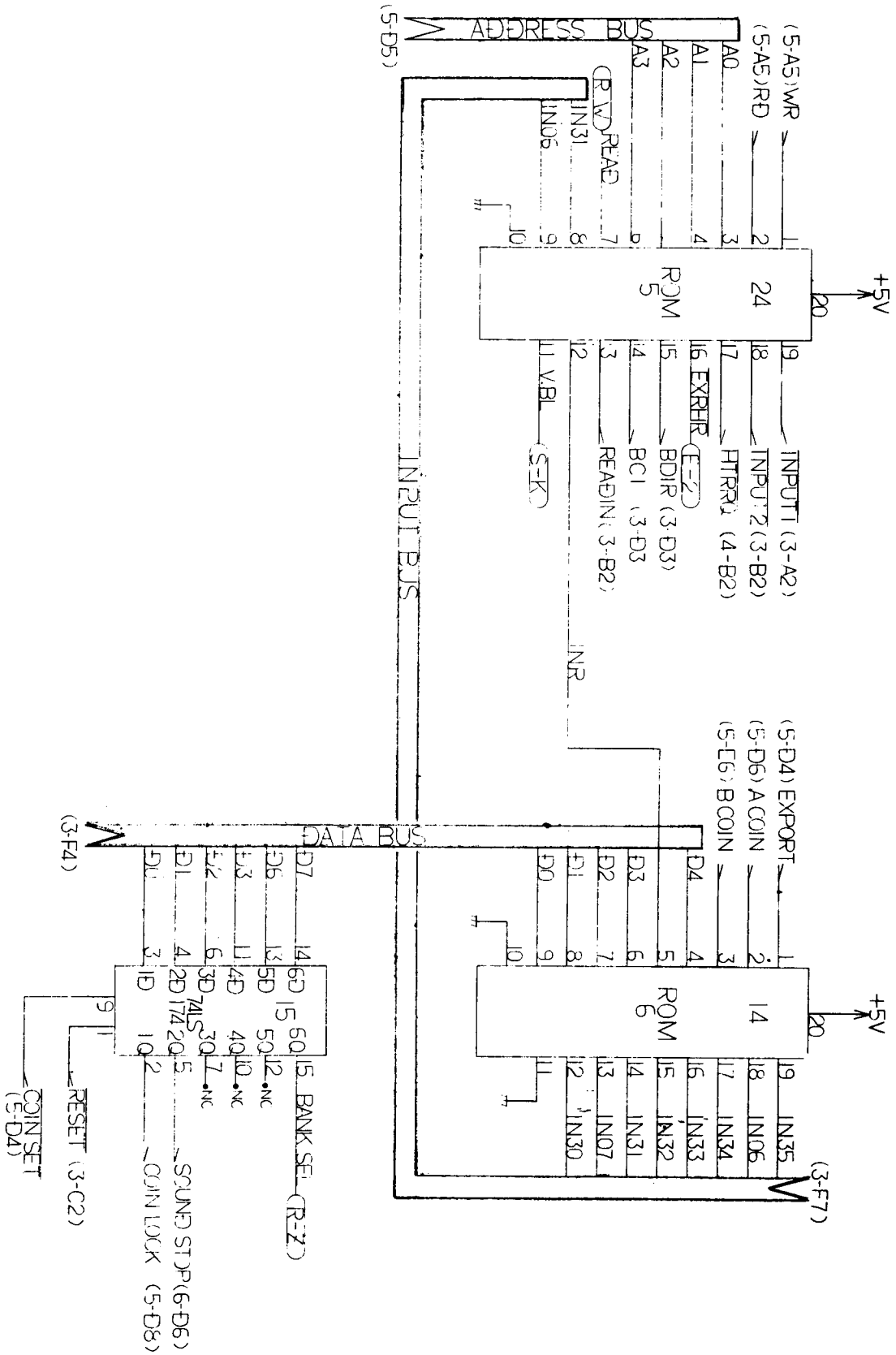


NOTE 3 JUMPER

| COUNTER DRIVE PC BOARD | USE | NOT USE |
|------------------------|-----|---------|
| X-MARK PATTERN OUT | | |

GAME PC BOARD SCHEMATIC 7 of 7

FIGURE 38





TAITO AMERICA CORPORATION

1256 Estes Avenue, Elk Grove Village, IL 60007
Telephone (312) 981-1000 Telex 25-3290