

GAME 1192  
FO 655



# MYSTIC

*Bally*<sup>®</sup>

PINBALL DIVISION

90 O'Leary Drive, Bensenville, Illinois 60106, U.S.A.  
Telephone: (312) 860-6400

© BALLY MFG. CORP. 1980  
ALL RIGHTS RESERVED



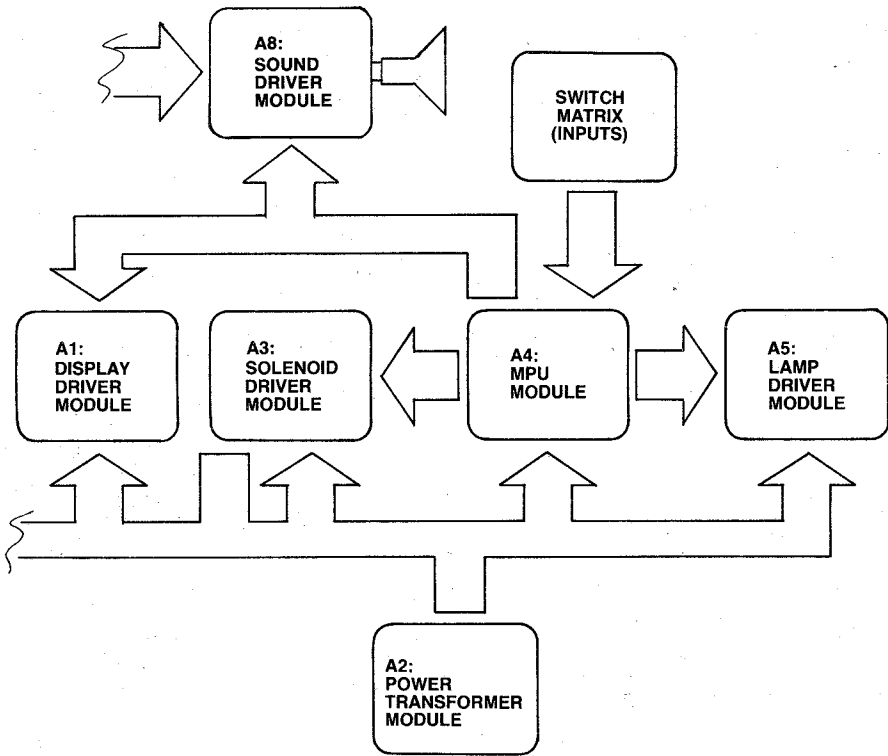
**GAME #1192 MYSTIC**

**Installation and General Game Operation Instructions**

**INDEX**

	PAGE
I. INSTALLATION .....	1
II. GENERAL GAME OPERATION .....	2
III. BOOKKEEPING FUNCTIONS .....	3
IV. FEATURE OPERATION AND SCORING .....	4
V. GAME ADJUSTMENTS .....	5
A. PLAYFIELD ADJUSTMENTS .....	5
B. BACKBOX ADJUSTMENTS .....	5
CREDITS/COIN .....	5
MAXIMUM CREDITS .....	6
BALLS/GAME .....	6
MATCH FEATURE OPTION .....	6
CREDIT DISPLAY .....	6
HIGH SCORE FEATURE OPTION .....	6
HIGH SCORE TO DATE .....	6
GAME FEATURE OPTIONS .....	7
SOUND OPTION .....	7
C. FRONT DOOR GAME ADJUSTMENTS	
HIGH SCORE FEATURE .....	8
HIGH SCORE TO DATE FEATURE .....	8
VI. RECOMMENDED SCORE CARDS .....	11
VII. RECOMMENDED SETTINGS .....	12
VIII. ROUTINE MAINTENANCE ON LOCATION .....	13
IX. TROUBLE SHOOTING ON LOCATION .....	13
X. SERVICE/PARTS .....	19
XI. PARTS LIST .....	20-31

# BLOCK DIAGRAM—ELECTRONIC PINBALL GAME



## I. INSTALLATION

### Assemble the game as follows:

Bolt legs to cabinet. Bolt back box to cabinet. Use flat washers under bolt heads. Gently feed cable connectors and ground braid through cable port in back box. Screw ground braid to braid in back box. Carefully and fully insert connectors on printed circuit assemblies.

On all games there are certain items that should be checked after shipment. These are visual inspections which may avoid time consuming service work later. Minor troubles caused by abusive handling in shipment are unavoidable. Cable connectors may be loosened, switches (especially tilt switches) may go out of adjustment. Plumb bob tilt switch should always be adjusted after game is set on location and leg levelers are adjusted.

Visual inspections before plugging in line cord:

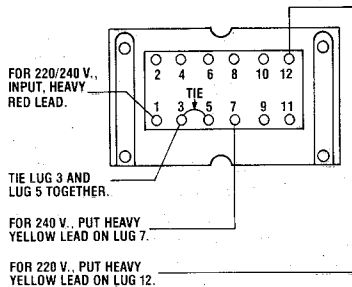
1. Check that all cable connectors are completely seated on printed circuit assemblies.
2. Check that cables are clear of all moving parts.
3. Check for any wires that may have become disconnected.
4. Check switches for loose solder or other foreign material that may have come loose in shipment and could cause shorting of contacts.
5. Check wires on coils for proper soldering. Cold solder connections may not show up in factory inspection, but vibration in shipment may break contact.
6. Check that fuses are firmly seated and making good contact.
7. Check the transformer for any foreign material shorting across wiring lugs.
8. Check wiring of transformer to correspond to location voltage. See figure 1.

Check adjustment of the three (normally open) tilt switches:

1. Panel tilt on bottom of playfield panel.
2. Plumb bob tilt on left side of cabinet near front door.
3. Ball tilt above plumb bob tilt. Insert the smaller ball (15/16" dia.) into the ball tilt assembly, and adjust the bracket so the ball will roll free to contact the switch blade, if front of cabinet is raised.

### TRANSFORMER CONNECTION INSTRUCTIONS

E-122-125 TRANSFORMER WIRING FOR 220/240 V.,  
50/60 CYCLE INPUT.



FOR 220/240 V.,  
INPUT, HEAVY  
RED LEAD.

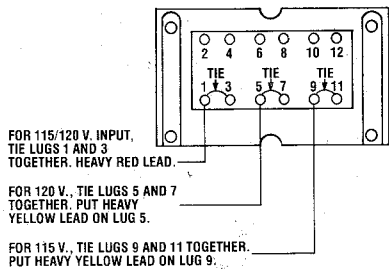
TIE LUG 3 AND  
LUG 5 TOGETHER.

FOR 240 V., PUT HEAVY  
YELLOW LEAD ON LUG 7.

FOR 220 V., PUT HEAVY  
YELLOW LEAD ON LUG 12.

VARIATOR, BALLY PART NO. E-713-1.  
LOCATED IN CABINET, MUST BE USED  
FOR OPERATION AT 220 V. OR 240 V.A.C.

E-122-125 TRANSFORMER WIRING FOR 115/120 V.,  
50/60 CYCLE INPUT.



FOR 115/120 V. INPUT,  
TIE LUGS 1 AND 3  
TOGETHER. HEAVY RED LEAD.

FOR 120 V., TIE LUGS 5 AND 7  
TOGETHER. PUT HEAVY  
YELLOW LEAD ON LUG 5.

FOR 115 V., TIE LUGS 9 AND 11 TOGETHER.  
PUT HEAVY YELLOW LEAD ON LUG 9.

VARIATOR, BALLY PART NO. E-713.  
LOCATED IN CABINET, MUST BE USED  
FOR OPERATION AT 115 OR 120 V.A.C.

FIGURE I. TRANSFORMER

(PART OF POWER—TRANSFORMER MODULE A2, LOCATED IN BACK BOX).

## II. GENERAL GAME OPERATION

### Place ball into playfield by outhole.

**Coin game.** Coin should be rejected. Plug in line cord. Move power ON-OFF master switch at bottom right front corner of cabinet to 'ON' position. The game will play a power-up tune to announce game-readiness. Drop targets are reset, scores are set to zero, alternating with the 'High Score to Date', and the game is ready for play. Coin game. The game should accept the coin and post credits\* for coins accepted (adjustable). Pressing the credit button on the door will cause the outhole kicker to serve the ball to the shooter alley. The 1st player-up life is lit. A game-up tune\* is played to announce play-readiness. The bonus score is advanced to 1000 points.

One player is posted each additional time the credit button is pressed (one to four can play). The credits are reduced by one each time the credit button is pressed until the credits are reduced to zero.

Shooting the ball initiates play. Rebound switches score 10 points. Thumper-bumpers, when not lit, score 10 points.

The game awards all points earned by the player. If spinner is turning and scoring when the ball hits a target, the spinner and the target scores are awarded.

When the ball enters the outhole, the bonus score is added to the total score. The player-up and/or ball in play on the back box is advanced one position. The bonus score is advanced to 1000 points. The outhole kicker serves the ball to the shooter alley and play is resumed. This continues until each player has played the allowable number of balls per game (adjustable). At this time the 'Game Over' light is lit. A random Match\* number appears and the 'Match' light is lit. If the number is the same as the last two digits in a player's score, a free game is awarded.

Extra balls won during the course of the game are played immediately after the player's regular ball enters the outhole. The player-up and/or ball in play on the back box are not advanced for extra ball play. Bonus score is added to the player's score and the bonus is set to 1000 points before the game serves the extra ball for play.

Scoring over 1,000,000 gives "High Score to Date" award.

At the end of the game, a 'High Score to Date' is alternately flashed with all 4 player scores. If the 'High Score to Date' is beat, this feature\* awards free games.

Tilting the game results in loss of a ball. The flippers, thumper-bumpers, etc., go 'dead.' Bonus points are not scored. The purpose of the tilt penalty is to discourage the player from jostling the machine in an attempt to prolong play. Game action becomes normal after the ball kicker assembly serves the ball to the shooter alley.

Slamming the machine results in loss of the game. All feature lights go out, the game goes 'dead,' and a time delay occurs. The purpose of the time delay is to discourage unnecessary abuse of the machine. After the delay, the 'Game Over' light lites and the power-up tune is played. The time delay occurs anytime one of the slam switches is made to contact. There is one factory installed slam switch on the front door. (Any number of slam switches could be installed by the operator, to meet his individual requirement.) The switch should be adjusted to have approximately 1/16" gap between the contacts. The weighted blade should be adjusted to attain the desired sensitivity. Decreasing the gap between contacts will make the switch more sensitive. Opening the gap will reduce sensitivity.

\*Some tunes and features can be disabled by operator if so desired. See Back Box Adjustments.

### III. BOOKKEEPING FUNCTIONS

The game is designed to help the operator perform certain accounting functions. The game can display the number of total plays and replays (free games). It can display the number of coins dropped down each coin chute. The bookkeeping functions are displayed on all player score displays simultaneously. An identification number, 05 to 14, appears on the Match/Ball in Play window as follows:

- 05— 00 to— 40=Current Credits
- \*06—10000 to—99999=Total Plays (Paid & Free Games)
- \*07—10000 to—99999=Total Replays (Free Games)
- 08— 00 to—99999=Total times 'High Score to Date' is beat
- \*09—10000 to—99999=Coins Dropped thru Coin Chute #1
- \*10—10000 to—99999=Coins Dropped thru Coin Chute #2\*\*
- \*11—10000 to—99999=Coins Dropped thru Coin Chute #3\*\*
- \*12— 00 to—99999=Number of Specials awarded from Panel Specials Only
- \*13— 00 to—99999=Number of minutes of Game Play
- \*14— 00 to—99999=Number of Service Credits

The game displays the first bookkeeping entry if the Self-Test button (See Fig. III) on the inside of the front door is pressed ten times. Alternately push and release the Self-Test button at one second intervals. The number 05 appears in the 'Match/Ball in Play' window. Current credits appear on the player score displays. Each additional press of the button causes the next entry to be displayed.

After the data in each bookkeeping register is recorded, it can be set to zero simply by pressing switch button S33, located on A4, the MPU module in the back box (See Fig. III), or by pressing the Coin Chute #3 switch. Any or all registers can be cleared by alternating between the Self-Test button and the switch button S33 on the MPU module or Coin Chute #3 switch. The operator is given this option as a possible convenience and can elect to use or not use it as his needs direct.

Pressing the button once more with the 14th entry displayed causes the game to play the power-up tune and light the Game Over light.

Service credits are designed to allow the serviceman to test the game under actual play conditions without disturbing the bookkeeping records that reside at identification numbers 06, 07, 09, 10 and 11.

To obtain Service Credits, push and release the Self-Test switch until identification number 05 appears in the 'Match/Ball in Play' window. Hold in the Credit button until the desired number of Service Credits (up to five) appears on the player score displays.

NOTE: If, upon accessing identification number 05, a number of credits greater than five is displayed, pressing the credit button has no effect.

Identification number 14 is reserved as a record of the number of Service Credits used.

\*The 10,000 level is pre-set at the factory; can be set to zero, initially, if desired.

\*\*If Coin Chute is not used in game, number displayed (if other than 00) on Player Score displays has no significance.

## "MYSTIC"

### FEATURE OPERATION & SCORING

#### **A. BONUS SCORE FEATURE:**

A Bonus of 3000 points for each lit Eye or Pyramid may be scored.

#### **1A. 3 IN LINE BONUS:**

When 3 Eyes or 3 Pyramids in the card are lit. (Diagonally, Vertically or Horizontally) 9000 thru 72000 bonus points lites depending on numbers of 3 in line lites. However, any lit 3 in line bonus value is carried over from ball to ball til the end of the game. The Eyes and Pyramids in square are spotted by the 3 sets of drop targets. Once 3 in line is made that set of drop target locks to arrow which then it scores 2000 points for each target down.

#### **B. 4 STARS FEATURE:**

Making the 4 star lites first time, 10,000 points is awarded. Making the 4 star lites second time, extra ball is awarded. Making the 4 star lites third and each additional time 1 replay is awarded.

#### **C. SAUCER FEATURE:**

Every time ball is landed in top saucer it will spot the star lite and lites the spinners and scores 500 points.

#### **D. MYSTICAL TARGET FEATURE:**

Mystical target scores as follows:

1st time 5000 points

2nd time 2X + 5000

3rd time 3X + 5000

4th time 4X + 5000

5th time SPL (1 replay)

6th and each additional time 30,000 points.

#### **E. REPLAY FEATURE ON EYES & PYRAMIDS IN SQUARE:**

Liting square with all Eyes or all Pyramids, awards 2 or 3 replays depending on switch setting #8.

Liting square with combination of Eyes and Pyramids will score 1 replay when special is lit.

## F. SPECIAL REPLAY/X-BALL/NOVELTY MODES

Switch #6 and #7 give the operator flexibility to award a replay, extra ball or score (Novelty) when a special is scored (Mystic target, Pyramid and Eye, Pyramid or Eye, 4 stars SPECIAL). The following chart explains the settings.

SWITCH	SW. 6 ON	SW. 6 OFF	SW. 6 ON
Positions	SW. 7 ON	SW. 7 ON	SW. 7 OFF
Mystical Lane Special	REPLAY	X-BALL	NOVELTY
Pyramid & Eye Special	REPLAY	X-BALL*	50,000
All Pyramid or Eye (2 special)	REPLAY	X-BALL*	50,000
(3 specials)	REPLAY	X-BALL &*	100,000
		X-BALL &***	150,000
		X-BALL****	
4 Stars Special	REPLAY	*	50,000
4 Stars X-BALL	X-BALL	X-BALL**	25,000
Scoring Thresholds	REPLAY	X-BALL**	NO AWARD
(*) 50,000 if Same Player Shoot Again is lit.			
(**) 25,000 if Same Player Shoot Again is lit.			
(***) 100,000 if Same Player Shoot Again is lit.			
(****) 150,000 if Same Player Shoot Again is lit.			



## V. GAME ADJUSTMENTS

### A. Playfield Panel Post Adjustments:

Posts that control left and right outlane opening on panel can be moved to make access to outlanes easier or harder for ball to enter. See Figure II.

Easier entry will decrease playing time and scoring (conservative).

Harder entry will increase playing time and scoring (liberal).

### B. Back Box Game Adjustments:

Each game has thirty-two switches located on A4, the MPU module, located in the back box, that allow play to be customized to the location. See Figure III. Credits per coin, maximum credits, credit display, balls per game, match feature, high game feature, special award and melody are selectable by means of the switches. The switches are contained in four-sixteen lead packages numbered S1-8, S9-16, S17-24 and S25-32 for easy identification. The "ON" toggle position is marked on the assembly. **Turn off power before making adjustments.**

#### Credits/Coin Adjustments:

The credits per coin are selectable by means of switches S17-S20 for coin chute #2. The switch settings and resultant credits/coin are as follows:

S20	S19	S18	S17	Credits/Coin
OFF	OFF	OFF	OFF	Same as Coin Chute #1 Settings
OFF	OFF	OFF	ON	1/1 Coin
OFF	OFF	ON	OFF	2/1 Coin
OFF	OFF	ON	ON	3/1 Coin
OFF	ON	OFF	OFF	4/1 Coin
OFF	ON	OFF	ON	5/1 Coin
OFF	ON	ON	OFF	6/1 Coin
OFF	ON	ON	ON	7/1 Coin
ON	OFF	OFF	OFF	8/1 Coin
ON	OFF	OFF	ON	9/1 Coin
ON	OFF	ON	OFF	10/1 Coin
ON	OFF	ON	ON	11/1 Coin
ON	ON	OFF	OFF	12/1 Coin
ON	ON	OFF	ON	13/1 Coin
ON	ON	ON	OFF	14/1 Coin
ON	ON	ON	ON	15/1 Coin

The credits given per coin are selectable by means of switches 1-5 incl., for coin chute #1 and switches 9-13 incl., for coin chute #3. Thirty-one different credit ratios are available for each coin chute. The switch settings and resultant credits/coin are listed below.

#### CREDITS/COIN ADJUSTMENTS

COIN CHUTE #1 (HINGE SIDE) OR #3	SWITCHES					CREDITS/COIN
	5	4	3	2	1	
	13	12	11	10	9	
	OFF	OFF	OFF	OFF	OFF	3/2 COINS**
	OFF	OFF	OFF	OFF	ON	3/2 COINS**
	OFF	OFF	OFF	ON	OFF	1/COIN
	OFF	OFF	OFF	ON	ON	1/2 COIN*
	OFF	OFF	ON	OFF	OFF	2/COIN
	OFF	OFF	ON	OFF	ON	2/2 COINS*
	OFF	OFF	ON	ON	OFF	3/COIN
	OFF	ON	OFF	OFF	OFF	3/2 COINS*
	OFF	ON	OFF	OFF	ON	4/COIN
	OFF	ON	OFF	ON	OFF	4/2 COINS*
	OFF	ON	OFF	ON	ON	5/COIN
	OFF	ON	ON	OFF	OFF	5/2 COINS*
	OFF	ON	ON	OFF	ON	6/COIN
	OFF	ON	ON	ON	OFF	6/2 COIN*
	OFF	ON	ON	ON	ON	7/COIN
	ON	OFF	OFF	OFF	OFF	7/2 COIN*
	ON	OFF	OFF	OFF	ON	8/COIN
	ON	OFF	OFF	ON	OFF	8/2 COINS*
	ON	OFF	OFF	ON	ON	9/COIN
	ON	OFF	OFF	ON	OFF	9/2 COINS*
	ON	OFF	ON	OFF	OFF	10/COIN
	ON	OFF	ON	OFF	ON	10/2 COINS*
	ON	OFF	ON	ON	OFF	11/COIN
	ON	OFF	ON	ON	ON	11/2 COINS*
	ON	ON	OFF	OFF	OFF	12/COIN
	ON	ON	OFF	OFF	ON	12/2 COINS*
	ON	ON	OFF	ON	OFF	13/COIN
	ON	ON	OFF	ON	ON	13/2 COINS*
	ON	ON	ON	OFF	OFF	14/COIN
	ON	ON	ON	OFF	ON	14/2 COINS*
	ON	ON	ON	ON	OFF	15/ COIN
	ON	ON	ON	ON	ON	15/2 COINS*

\*No Credits until second coin is dropped\*

\*\*One Credit for first coin. Two Credits for second coin provided that no scoring occurred between 1st and 2nd coin drops. If scoring occurred, second coin gives one credit.

**MAXIMUM CREDITS:**

The maximum credits accepted by the machine limits the number of games that can be accumulated by coining, by winning replays or both. The maximum number of credits is selectable by means of switches 25 and 26. Four credit limits are available. Switch settings are listed below.

MAXIMUM CREDITS	SWITCHES	
	26	25
10	OFF	OFF
15	OFF	ON
25	ON	OFF
40	ON	ON

**BALLS PER GAME:**

# BALLS/GAME	SWITCH 31
5	ON
3	OFF

**MATCH FEATURE:**

When the Match Feature is ON, a random number appears in the Match/Ball in Play window and the word MATCH is illuminated. If the number matches the tens digit in a player's score, a free game is awarded. The Match feature creates an incentive to play.

MATCH	SWITCH 28
ON	ON
OFF	OFF

**CREDIT DISPLAY:**

CREDITS DISPLAYED	SWITCH 27
YES	ON
NO	OFF

**HIGH SCORE FEATURE:**

The game is designed to award an Extra Ball or Free Game at each of the three score levels. See Front Door Game Adjustments.

AWARD	SWITCH 7	SWITCH 6
REPLAY	ON	ON
EXTRA BALL	ON	OFF
NO AWARD	OFF	ON

**HIGH SCORE TO DATE OR OVER 1,000,000 SCORE FEATURE:**

The game is designed to award free games as an option if high score to date is beat or player exceeds 1,000,000 points. Each time this happens, the winning score becomes the new high score to beat. This score is displayed on all 4 player score displays at the end of each game as an incentive to play. Recommended setting is underlined.

HIGH SCORE TO DATE FEATURE	SWITCH 22	SWITCH 21
No Award	OFF	OFF
One Credit	OFF	ON
Two Credits	ON	OFF
<u>Three Credits</u>	<u>ON</u>	<u>ON</u>

State and local laws may regulate the use of the above features, and they have been designed to allow for appropriate adjustment in order to conform to such requirements.

## #1192 MYSTIC

### SOUND OPTION:

The game is designed to make several tones and noises to announce power-up, game-up, etc. The tones are intended to attract attention to the game and increase game usage. The tones are controlled by switch settings as shown.

SW. 29, 30 ON

Playfield switches associated noises with background.

SW. 29 ON, SW. 30 OFF

Playfield switches associated noises without background.

SW. 29, 30 OFF

Most scoring will have a chime effect.

SW. 29 OFF, SW. 30 ON

Most all scoring will have a noise effect.

### GAME FEATURE OPTIONS:

All Pyramid or Eye replay adjustment:

Liberal SW. 8 ON

Conservative SW. 8 OFF

Lighting all Pyramids or Eyes gives 3 replays.

Lighting all Pyramids or Eyes gives 2 replays.

Spinner lites adjustment:

Liberal SW. 14 ON

Conservative SW. 14 OFF

When lit both lites will stay on.

When lit both lites will go on and off by hitting thumpers, slingshots or 30 point rebounds.

Bonus 2X, 3X, 4X and Mystical lane lite adjustment:

Liberal SW. 15, 16 ON

Conservative { SW. 15, 16 Off

Medium { SW. 15 ON 16 OFF

SW. 15, OFF 16 ON

Any bonus or Mystical lites on will come back on.

Any bonus or Mystical lites on will not come back on.

Any bonus lites on will not come back on.

Any Mystical lites on will come back on.

Center Eye and Pyramid lite recall adjustment:

Liberal SW. 23 ON

Conservative SW. 23 OFF

Any Eye or Pyramid lit will come back on.

Any Eye or Pyramid lit will not come back on.

4 Star lanes lite adjustment:

Liberal SW. 24 ON

Conservative SW. 24 OFF

Any star lane lite out will not come back on.

Any star lane lite out will come back on.

Mystical lane 5000, 2X lite adjustment:

Liberal SW. 32 ON

Conservative SW. 32 OFF

5000, 2X lite will be on at start of game.

5000 lite will be on at start of game.

## C. FRONT DOOR GAME ADJUSTMENTS

### High Score Feature Adjustments:

The game is designed to award an extra ball (option) or a free game at each of three score levels. The recommended levels are on the score card in the game.

Any level from 10,000 to 990,000 can be set, as desired. It is also possible to reset or turn off (00) any or all of the levels, if desired.

1. Push and release Self-Test button (See Figure III) at one second intervals approximately six times or until identification number 01 appears on the 'Match/Ball in Play' display.
2. The number on the Player Score Displays is the score level.\* It can be increased, if desired, by holding the credit button in. To decrease the score level, hold the credit button in and depress and release the Self-Test button. Release the credit button when the desired number appears. Note that the level changes 10,000 points at a time. If the number '00' is left on the displays, the high score feature is eliminated for that level.
3. Repeat steps 1 and 2 for the second and third score levels. The identification numbers '02' and '03' on the Match/Ball in Play display are for the second and third levels, respectively.

### High Score to Date and 1,000,000 Feature:

The game is designed to award free games when 'High Score to Date' is beat, or if the player exceeds 1,000,000 points.

It is recommended that the level, which will build with play, be periodically reset to the factory recommended level to encourage game play. The adjustment procedure is the same as for the High Score Feature Adjustment, Steps 1 and 2. Continue pushing the Self-Test button until the identification number '04' appears on the 'Match/Ball in Play' display and then do Step 2.

Any level from '00' to 990,000 can be set as described. It is to be noted that '00' does NOT turn off the feature, as it does on High Score feature. The feature is turned off by positioning switches as discussed under 'Back Box Game Adjustments.'

\*Can be quickly set to '00' by pressing S33 on the MPU assembly in the back box or Coin Chute switch #3. (See Figure III).

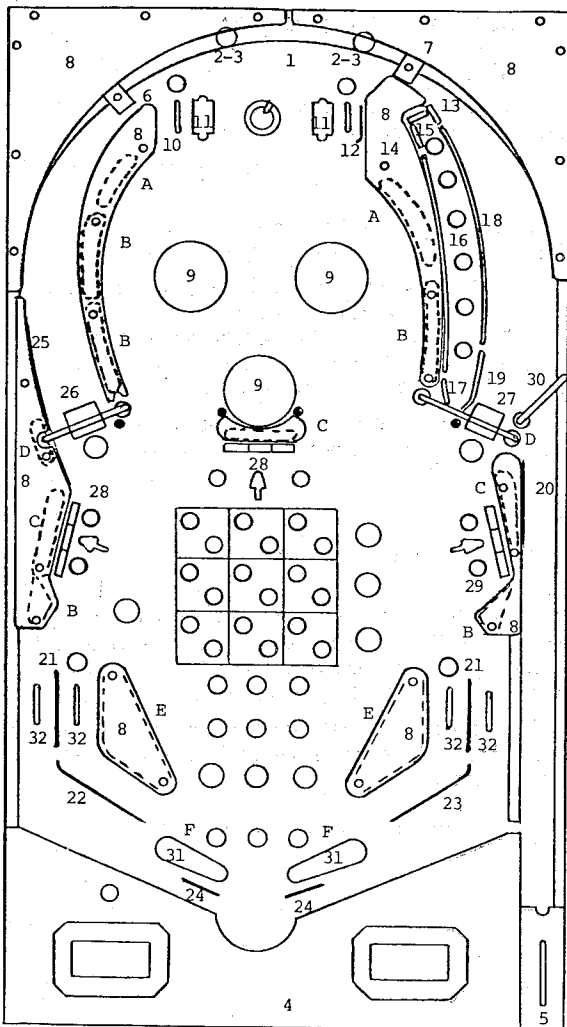
## #1192 MYSTIC

## RUBBER PARTS

A	R-521-1	1" Dia. (2)
B	R-521-2	1½" Dia. (5)
C	R-521-3	2" Dia. (6)
D	R-521	¾" Dia. (2)
E	R-521-4	2½" Dia. (2)
F	R-406-3	Flipper (2)
G	R-243	⅝" Dia. (10)

## PANEL TOP PARTS

1	Arch Rail	M-1774
2	Rail Post (2)	C-907
3	Rail Post Cap (2)	C-908
4	Bottom Arch	P-5871-75
5	Shooter Gauge	P-6359-41
6	Ball Gate (L)	A-1475-12
7	Ball Gate (R)	A-1475-13
8	Screened Plastics (Set)	M-1330-171
9	Thumper Caps (3)	A-3713-62
10	R.O. Wire & Bracket (2)	A-2806-1
11	Guide Rail (2)	C-935-5
12	Guide Wire	M-121-98
13	Guide Wire	M-121-46
14	Guide Wire	M-121-99
15	Target Assy (Red)	AS-2911-3
16	Guide Wire	M-121-101
17	Guide Wire	M-121-32
18	Guide Wire	M-121-100
19	Guide Wire	M-121-102
20	Guide Wire	M-121-47
21	Guide Wire (2)	M-121-18
22	Guide Wire	M-121-43
23	Guide Wire	M-121-44
24	Buffer Wire (2)	M-121-53
25	Ball Guide Assy	A-3032-44
26	Spinner Gate Assy (L)	AS-2250-65
27	Spinner Gate Assy (R)	AS-2250-66
28	Drop Target Assy (2)	AS-2795-32
29	Drop Target Assy	AS-2795-33
30	Ball Gate & Wire Assy	AS-2250-24
31	Flipper & Shaft Assy (2)	AS-2214-21
32	R.O. Wire & Bracket (4)	AS-2806



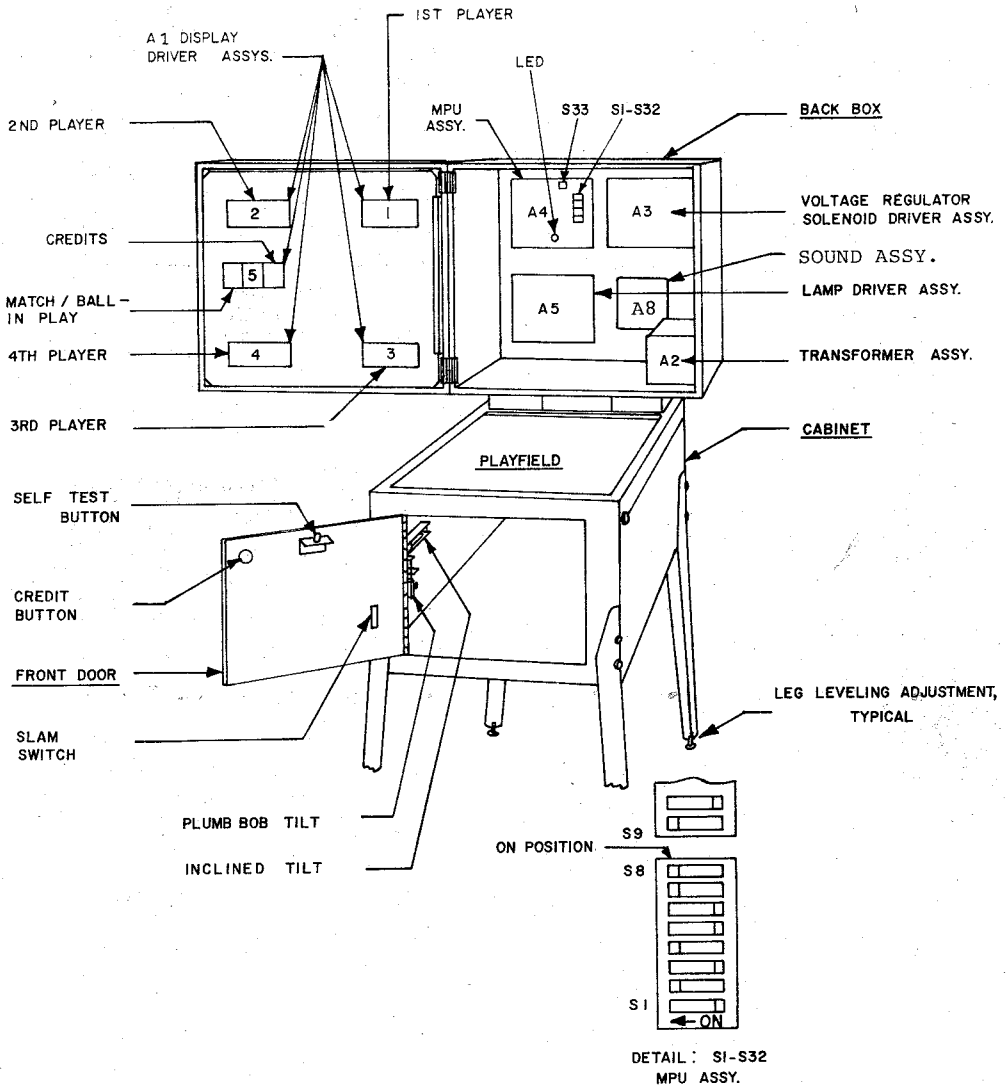


FIGURE III. ELECTRONIC PIN BALL MACHINE

## RECOMMENDED

Instruction, Score Cards and High Score Feature Settings  
to be used on **MYSTIC 1192**

### REPLAYS 3-BALL

Instruction Card	M-1508-90-E
Score Card	M-1508-90-B
1 Replay at 260,000	
1 Replay at 500,000	

### REPLAYS 5-BALL

Instruction Card	M-1508-90-E
Score Card	M-1508-90-A
1 Replay at 360,000	
1 Replay at 600,000	

### EXTRA BALL

Instruction Card	M-1508-90-F
Score Card	M-1508-90-A/PP
1 Extra Ball at 330,000	
1 Extra Ball at 570,000	
1 Extra Ball at 790,000	

## ADDITIONAL CARDS

### REPLAYS

M-1508-H	120,000	360,000	
M-1508-I	140,000	380,000	
M-1508-J	160,000	400,000	
M-1508-K	180,000	420,000	
M-1508-L	200,000	440,000	
M-1508-M	220,000	460,000	
M-1508-N	240,000	480,000	
M-1508-O	260,000	500,000	
M-1508-P	280,000	520,000	
M-1508-Q	300,000	540,000	
M-1508-R	320,000	560,000	
M-1508-S	340,000	580,000	
M-1508-T	360,000	600,000	
M-1508-U	380,000	620,000	
M-1508-V	400,000	640,000	
M-1508-W	420,000	660,000	
M-1508-X	440,000	680,000	
M-1508-Y	460,000	700,000	
M-1508-AA	140,000	430,000	580,000
M-1508-BB	160,000	450,000	600,000
M-1508-CC	180,000	470,000	620,000
M-1508-DD	200,000	490,000	640,000
M-1508-EE	220,000	510,000	660,000
M-1508-FF	240,000	530,000	680,000
M-1508-GG	260,000	550,000	700,000
M-1508-HH	280,000	570,000	720,000
M-1508-II	300,000	590,000	740,000
M-1508-JJ	320,000	610,000	760,000
M-1508-KK	340,000	630,000	780,000
M-1508-LL	360,000	650,000	800,000

### EXTRA BALL

M-1508-MM	240,000	480,000	700,000
M-1508-NN	270,000	510,000	730,000
M-1508-OO	300,000	540,000	760,000
M-1508-PP	330,000	570,000	790,000
M-1508-QQ	360,000	600,000	820,000
M-1508-RR	390,000	630,000	850,000
M-1508-SS	420,000	660,000	880,000

Instruction Card, Novelty  
M-1508-90-G

Instruction Card, Replay  
M-1508-90-TT

### BLANKS (3)

High game to date recommended levels:  
(reset periodically)  
3 BALL 580,000  
5 BALL 680,000

# #1192 MYSTIC

## RECOMMENDED SETTINGS

### SPECIAL: REPLAY

ALL EYES OR TRIANGLES REPLAY  
 SPINNER LITES  
 BONUS 2X, 3X, 4X LITE RECALL  
 MYSTICAL LANE LITES RECALL  
 CENTER EYES AND PYRAMID LITE RECALL  
 4 STAR LANES LITE RECALL  
 MYSTIC LANE 5K & 2X LITE

	3-BALL	5-BALL
SW. 6	ON	ON
SW. 7	ON	ON
SW. 8	OFF	OFF
SW. 14	ON	OFF
SW. 15	OFF	OFF
SW. 16	ON	ON
SW. 23	ON	ON
SW. 24	ON	ON
SW. 32	ON	OFF

### REPLAY

Instruction Card  
 Score Card  
 Major Mode  
 Match  
 High Score to Date

### 3-BALL

M-1508-90-E  
 M-1508-90-B  
 SW. 6, 7, ON  
 SW. 28 ON  
 SW. 21, 22, ON

### 5-BALL

M-1508-90-E  
 M-1508-90-A  
 SW. 6, 7, ON  
 SW. 28 ON  
 SW. 21, 22, ON

### X-BALL

Instruction Card  
 Score Card  
 Major Mode  
 Match  
 High Score to Date

M-1508-90-O  
 M-1508-90-A W/PP  
 SW. 6 OFF  
 SW. 7 ON  
 SW. 28 OFF  
 SW. 21, 22, OFF

### NOVELTY

Instruction Card  
 Major Mode  
 Match  
 High Score to Date

M-1508-90-G  
 SW. 6 ON, 7 OFF  
 SW. 28 OFF  
 SW. 21, 22, OFF

M-1508-90-G  
 SW. 6 ON, 7 OFF  
 SW. 28 OFF  
 SW. 21, 22, OFF



## VIII. ROUTINE MAINTENANCE ON LOCATION:

Self-Test routines are written into the game design. They are particularly useful for routine maintenance. The tests are described below. The first test is automatic and occurs on power-up. This test causes the MPU module A4 to examine itself for failures. Seven flashes of an LED indicates proper operation. The second series of self-diagnostic tests causes the MPU to 'exercise' each of the other modules in such a way as to make their faults, if any, obvious. See Figure III and Page ii.

It is recommended that these tests be used several times a week to check out the games before play. If faults are discovered, they may be corrected on location if the operator has a stock of replacement modules. See "Trouble Shooting on Location."

### MPU Module Self-Test:

At power on, the LED on the MPU module flashes once. (Flicker-Flash). After a pause, it flashes six more times and goes out. A power-up tune is played to announce game readiness. This indicates proper MPU operating condition and successful completion of the power-up test.

### Game Self-Diagnostic Tests:

1. Pressing the Self-Test button inside the door initiates the Self-Test routine. See Figures III and IV. All switched lamps flash off and on continuously.
2. Pressing the Self-Test button again causes each digit on each display to cycle from 0 thru 9, and repeat continuously.
3. Pressing the Self-Test button again causes each solenoid to be energized, one at a time, in a continuous sequence. Hold both flipper buttons 'in' during this test. The number appearing on the Player Score displays is the same as the number assigned to the solenoid. The sound of a solenoid pulling-in as a number appears indicates proper operation. The absence of sound is improper. If sound is absent, see Page 17 for help in Solenoid identification.
4. Pressing Self-Test button again causes the sound module to play the "Game Over" tune repeatedly.
5. Pressing the Self-Test button again causes the MPU to search each switch assembly for stuck contacts. If any are found, the number of the first set encountered is flashed on the Player Score displays. The number remains until the fault is cleared. See Page 17 for help in Stuck Switch identification. Other numbers may follow if more stuck contacts are present. If there are no stuck switches, the Match/Ball in Play display flashes '0'.
6. Pressing the Self-Test button 14 more times causes the MPU to step thru the threshold and bookkeeping functions described previously and finally to repeat the power-up test. For more rapid exit to power-up, turn the game off, then on. The game is now ready to play.

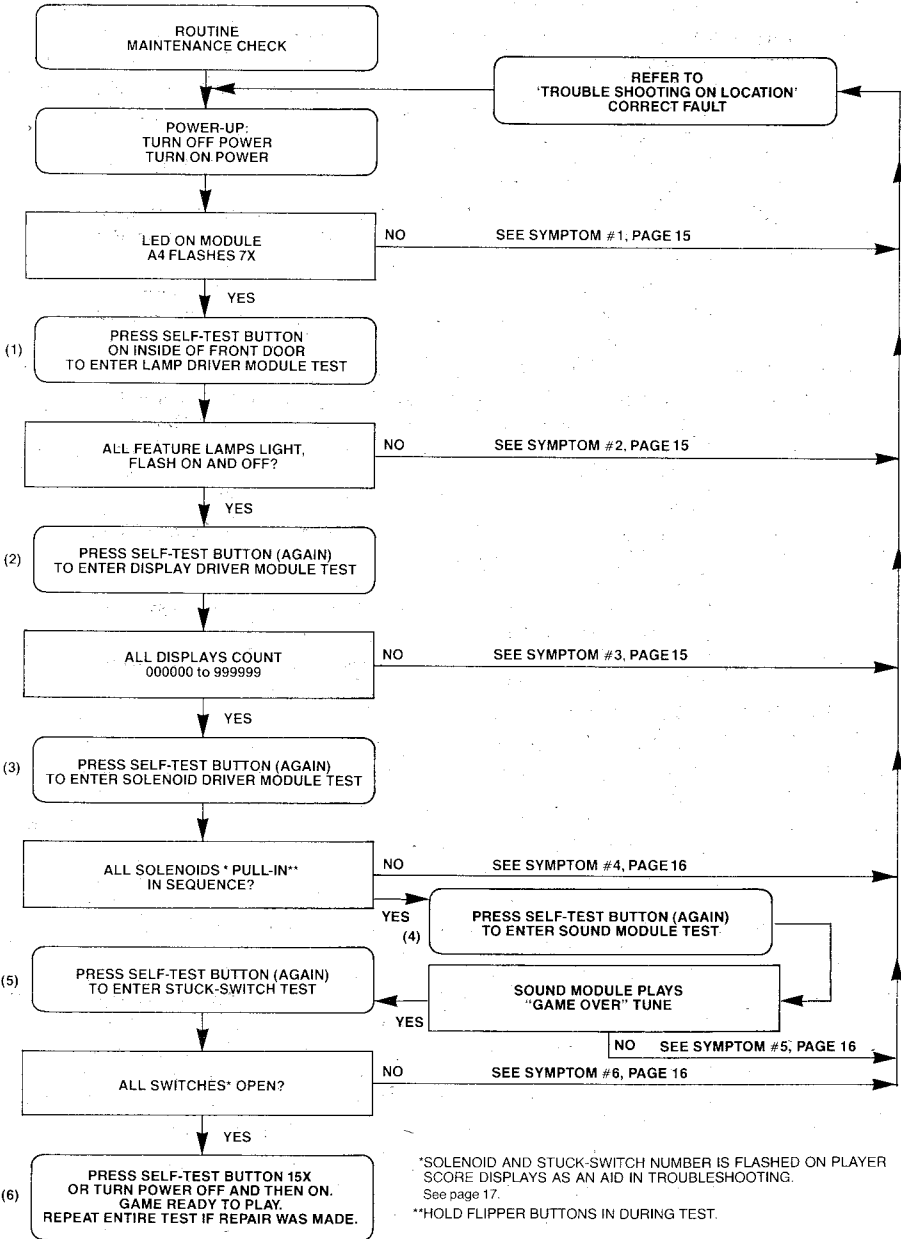
After successful completion of the Self Diagnostic Test procedure, set the game up for play. Exercise each rollover, thumper-bumper, slingshot, etc., by hand until each switch assembly on the playfield has been checked for proper operation. If actuating a switch assembly results in intermittent or no response, clean contacts by gently closing them on a clean business card or piece of paper and wiping until they wipe clean. Regap, if necessary, to 1/16". **Do not burnish or file Gold Plated Switch Contacts.**

## IX. TROUBLESHOOTING ON LOCATION

The game is designed to make troubleshooting easy. Several simple procedures are given herein that cover the greatest percentage of game failures. They are written for an operator on location and require module replacement. (See Figure III) Symptoms and the action to be taken are given for each type of problem.

If the problem is more complicated and is not solved by following this procedure, more detailed procedures are available from Bally. See the Parts List for ordering information.

## FIGURE IV SELF DIAGNOSTIC TEST



- 1A) **SYMPTOM:** Game does not play power-up tune when power is turned on. General illumination is present.
- ACTION:**
- A) Turn power OFF. Open back box. Locate light emitting diode (LED) on MPU module A4.
  - B) Turn Power ON. LED must flash 7X to indicate that module A4 is good. Correct flash sequence is flicker/flash-pause-and then six more flashes and LED goes out.
  - C. If LED does not come on, or does not flash, or flashes, but less than 7X, turn off power. Replace MPU module A4.
- CAUTION:** **Replacement MPU Module must have same Part Number or incorrect operation will result! See Parts List for MPU Module Part Number.**
- Turn power ON.
- D) If game is correct, it is now ready for play. If game is not correct, refer to Module Replacement procedure. (See Parts List.)
- 2A) **SYMPTOM:** Not all feature lamps light during game play.
- ACTION:**
- A) With power ON, open front door. Press button (Self-Test switch) once. If the game is correct, **all** feature lamps flash ON and OFF.
  - B) Carefully raise playfield or open back box to gain access to lamps.
  - C) Replace bulbs that do not flash.
  - D) If game is correct, it is now ready for play.
  - E) If game is not correct, turn power OFF. Replace Lamp Driver Module A5. Turn power ON and repeat A.
  - F) If game is correct, it is now ready for play.\*
  - G) If game is not correct, turn power OFF. Replace MPU module A4. See CAUTION, 1C. Turn power ON and repeat A.
  - H) If game is correct, it is now ready for play.\* If game is not correct, refer to Module Replacement procedure. (See Parts List.)
- 2B) **SYMPTOM:** One or some switched lamps always ON.
- ACTION:** Repeat 2AA, AB, AE, and AF and, if necessary AG & AH.
- 3A) **SYMPTOM:** Display digits improper on **one** or **several**, but less than all Display Driver module(s), A1. Improper: One or several segments always OFF, digits mottled or several segments or digit(s) always ON.
- ACTION:**
- A) With power ON, open front door. Press button (Self-Test switch) twice. If the game is correct, each digit on each Display Driver Module A1 (5 used/game) displays the count 1-9 and 0 continuously in all 6 digit positions. Note defective Display Driver modules.
  - B) Turn power OFF.
- CAUTION: High Voltage is supplied to the Display Driver Modules, A1, from the Solenoid Driver/Voltage Regulator Module A3. Wait 30 seconds for High Voltage to Bleed Off.**
- C) Replace Display Driver module(s) A1. Turn power ON. Repeat A.
  - D) If game is correct, it is now ready to play.\* If game is not correct, refer to Module Replacement procedure. (See Parts List.)
- 3B) **SYMPTOM:** All displays improper (all five display Driver modules). Improper: Digit(s) always on or off/segment(s) always on or off, all displays.
- ACTION:**
- A) Repeat 3AA, and AB.
  - B) Replace MPU module A4. See CAUTION NOTE, 1C. Turn power ON. Repeat A.

- C) If game is correct, it is now ready to play.\* If game is not correct, refer to Module Replacement procedure. (See Parts List.)
- 3C) **SYMPTOM:** One or several displays always off.  
**ACTION:** A) Do 3AA, AB, AC, and AD.  
 B) Repeat 3BB and BC, if necessary.
- 4A) **SYMPTOM:** Solenoid(s) do(es) not pull-in during course of game.  
**ACTION:** A) With power ON, open front door. Press button (Self-Test switch) three times.  
 B) If game was correct, each solenoid would be energized. A number is flashed on the Player Score displays as each solenoid is pulsed. Note any numbers that do not have the sound of a solenoid associated. See Solenoid Identification Table, Page 17 and Figure V.  
 C) Carefully lift the playfield (or open the back box) to gain access to the solenoid. Turn power OFF. Inspect the solenoid.  
 D) If a lead is broken off, repair. Repeat A & B. If game is correct, it is now ready for play.\* If solenoid wiring was correct, turn power OFF.  
 E) Replace Solenoid Driver/Voltage Regulator module A3. See CAUTION NOTE 3AB.  
 F) Repeat AA & AB. If game is correct, it is now ready to play.\* If game is not correct, turn power OFF.  
 G) Replace Sound Module A8.  
 H) Repeat AA and AB if game is correct. It is now ready to play. If game is not correct, turn power OFF."  
 I) Replace MPU module A4. See CAUTION NOTE, 1C.  
 J) Repeat A & B. If game is correct, it is now ready to play.\* If game is not correct, refer to Module Replacement Procedure. (See Parts List.)
- 4B) **SYMPTOM:** Solenoid(s) always energized—Note: if impulse solenoids (ball ejects, slingshots, thumper-bumpers, etc.) are energized continuously, they are subject to damage. Limit troubleshooting to one minute with power ON, followed by **five minutes with power OFF**. Repeat as necessary. Replace damaged solenoids.  
**ACTION:** Do 4AA, AB, AE, AF, AG, AH and if necessary, AI and AJ.
- 5) **SYMPTOM:** No Sound.  
**ACTION:** A) With Power ON, open front door, press Self-Test switch four times.  
 B) Turn volume control clockwise to Max.  
 C) If correct, sound will be heard. If incorrect, try seating speaker lead connector (J2) and input connector (J1).  
 D) If correct, sound will be heard. If incorrect, refer to Module Replacement procedure."
- 6) **SYMPTOM:** Feature (Drop Targets, etc.) does not score.  
**ACTION:** A) With power ON, open front door. Press button (Self-Test switch) five times.  
 B) If the game is correct, Match/Ball in Play display would flash '0'. If a number appears on the Player Score displays, see Switch Assembly Identification Table, Page 17 and Figure V.  
 C) Carefully lift the playfield. Locate the switch assembly identified from the number. Visually inspect the switch assembly. If the contacts are 'stuck', regap them to 1/16". See section under ADJUSTMENTS. Repeat A & B. If the game is correct, it is now ready to play.\* If game is not correct, turn the power OFF.  
 D) Replace MPU module A4. See CAUTION NOTE 1, C.  
 E) Repeat A & B. If the game is correct, it is now ready to play.\* If the game is not correct, refer to Module Replacement Procedure. (See Parts List).
- 7) **SYMPTOM:** Game blows fuse(s) repeatedly.  
**ACTION:** See Module Replacement Procedure. F.O. 560

\*Turn power On-Off switch OFF and then ON.

**GAME #1192 MYSTIC (FIGURE V)  
SOLENOID IDENTIFICATION TABLE**

<b>Self Test #</b>	<b>SOLENOID IDENTIFICATION</b>
01	LEFT SLINGSHOT
02	RIGHT SLINGSHOT
03	KNOCKER
04	OUTHOLE KICKER
05	SAUCER
06	LEFT THUMPER BUMPER
07	RIGHT THUMPER BUMPER

<b>Self Test #</b>	<b>SOLENOID IDENTIFICATION</b>
08	BOTTOM THUMPER BUMPER
09	LEFT DROP TARGET
10	RIGHT DROP TARGET
11	CENTER DROP TARGET
12	COIN LOCKOUT DOOR
13	K1 RELAY (FLIPPER ENABLE)

**SWITCH ASSEMBLY SELF-TEST DISPLAY NUMBERS**

<b>Switch Self Test #</b>	<b>DESCRIPTION</b>
01	
02	TOP RIGHT ROLLOVER
03	TOP LEFT ROLLOVER
04	RIGHT SPINNER
05	LEFT SPINNER
06	CREDIT BUTTON
07	TILT (3)
08	OUTHOLE
09	COIN III (RIGHT)
10	COIN I (LEFT)
11	COIN II (MIDDLE)
12	30 POINT REBOUND (2)
13	#3 CENTER DROP TARGET (RT.)
14	#2 CENTER DROP TARGET
15	#1 CENTER DROP TARGET (LEFT)
16	SLAM (2)
17	RIGHT OUTLANE
18	LEFT OUTLANE
19	FLIP/FEED LANE (RT.)
20	FLIP/FEED LANE (LT.)

<b>Switch Self Test #</b>	<b>DESCRIPTION</b>
21	#3 RT. DROP TARGET (BOT.)
22	#2 RT. DROP TARGET
23	#1 RT. DROP TARGET (TOP)
24	PYRAMID SAUCER
25	
26	
27	
28	
29	#3 LT. DROP TARGET (TOP)
30	#2 LT. DROP TARGET
31	#1 LT. DROP TARGET (BOT.)
32	MYSTICAL LANE TARGET
33	
34	
35	
36	RIGHT Slingshot
37	LEFT SLINGSHOT
38	BOTTOM THUMPER BUM.
39	RIGHT THUMPER BUM.
40	LEFT THUMPER BUM.

**NOTE: SLINGSHOT & THUMPER BUMPER COILS  
WILL BE ENERGIZED WHEN SWITCH IS MADE.**

# #1192 MYSTIC

○ INDICATES SWITCH ASSEMBLY IDENTIFICATION NUMBERS.

NOTE: CABINET: 07, 16

DOOR: 06, 09

10, 11, 16

□ INDICATES SOLENOID IDENTIFICATION NUMBERS.

NOTE: DOOR: 12

BACKBOX: 13

CABINET: 03

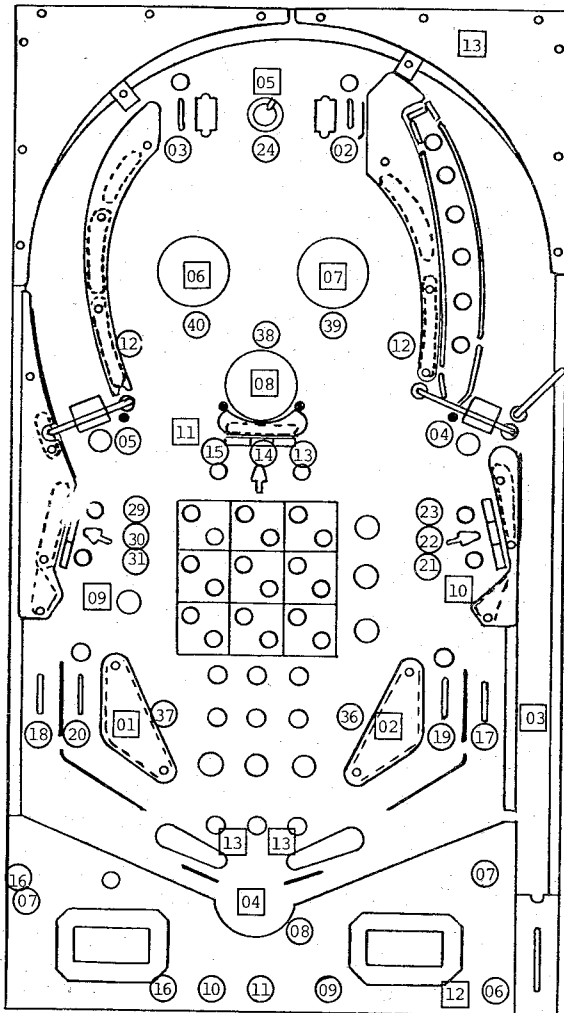


FIGURE V

## ASSEMBLY ADJUSTMENTS:

### GENERAL:

All switch assemblies consist of leaf springs, contacts, separators, plastic tubing and screws to hold them to the mounting surface. Before attempting to adjust a switch assembly, make sure that these screws are tight. If not, tighten screw closest to the contact end of the leaf spring first. This will prevent the assembly from being secured in such a manner that the leaf springs tend to fan out. In general, all leaf springs are adjusted for a 1/16" gap in the open position and .010" overtravel or wipe in the closed position. All contacts should be in good condition. Unless otherwise instructed, they should be dry or non-lubricated. All contacts should be free of dust and dirt. Contacts, with the exception of the flipper button switch assemblies, are plated to resist corrosion. Filing or burnishing breaks the finish and encourages corrosion. Clean by closing the contacts over a clean piece of paper (e.g. a business card) and wiping gently until the contacts are clean. For the flipper button switch assemblies **ONLY**: Tarnish can be removed with a contact file followed by a burnishing tool. Severely pitted contacts must be replaced as an assembly. In general, contacts need be cleaned or replaced and adjusted only when they are found to be a source of game malfunction.

### X. SERVICE PARTS:

A parts catalogue is available upon request. The catalogue is illustrated and lists all replacement parts for each game manufactured by Bally. Requests should be addressed to:

BALLY MANUFACTURING CORPORATION  
2640 WEST BELMONT AVENUE  
CHICAGO, ILLINOIS 60618  
ATTN: PARTS DEPARTMENT

### SERVICE HINTS:

The Bally playfield has an improved tuff-coat finish with excellent wearing properties. Its life expectancy, as well as play appeal, can be extended by periodic cleaning of the playfield.

**DO:** Bally recommends you clean your playfield with Wildcat #125 (Wildcat Chemical Co., 1333 W. Seminary Drive, Ft. Worth, Texas 76115). Wildcat #125 is a combination cleaner and polish. Bally has tried and tested this product and found it to be very effective. If Wildcat #125 is not available, Bally suggests you ask your Distributor to order it. Inspect and hand polish the ball in a clean cloth. A chipped ball must be replaced. It can ruin the finish on the playfield in a short period of time.

**DON'T:** Use water in large quantities, highly caustic cleaners, abrasive cleaners or cleaning pads on the playfield. Do not allow a wax or polish build up. Waxes yellow with age and spoil play appeal.

## XI. PARTS LIST

### #1192 MYSTIC

<b>MISCELLANEOUS</b>	<b>PART NUMBER</b>
Transformer (Domestic or Export) .....	E-122-125
Bulbs, #44 .....	E-125-22
Fuse, 1 Amp. 3 AG Slow Blow (Playfield Solenoid Protection) .....	E-133-44

#### **ASSEMBLY COILS**

Coin Lockout .....	FO-36-7000
Flipper (2) .....	AQ-25-500/ 34-4500
Knocker .....	AR-26-1200
Outhole Kicker .....	AN-26-1200
Thumper-Bumper (3) .....	AO-26-1200
Sling-Shot (2) .....	AN-26-1200
Drop Target (3) .....	NO-26-1900
Saucer .....	AO-27-1300

#### **PLAYFIELD PARTS**

See Figure II

#### **MODULES**

Lamp Driver A5 .....	AS-2518-23
Display Driver A1 (5 used) .....	AS-2518-21
Solenoid Driver/Voltage Regulator A3 .....	AS-2518-22
MPU A4 .....	AS-2962-18
Transformer & Rectifier A2 .....	AS-2877-1
Rectifier Board (Part of A2) .....	AS-2518-18
Sound .....	AS-3022-7

#### **REPAIRS PROCEDURES/AIDS**

Module & Component Replacement .....	FO.560-1
AID (Assistance in Diagnostics)	
Kit, used with FO.560-1 .....	KIT #485-1

#### **MODULE COMPONENTS**

SEE MODULE PARTS LIST

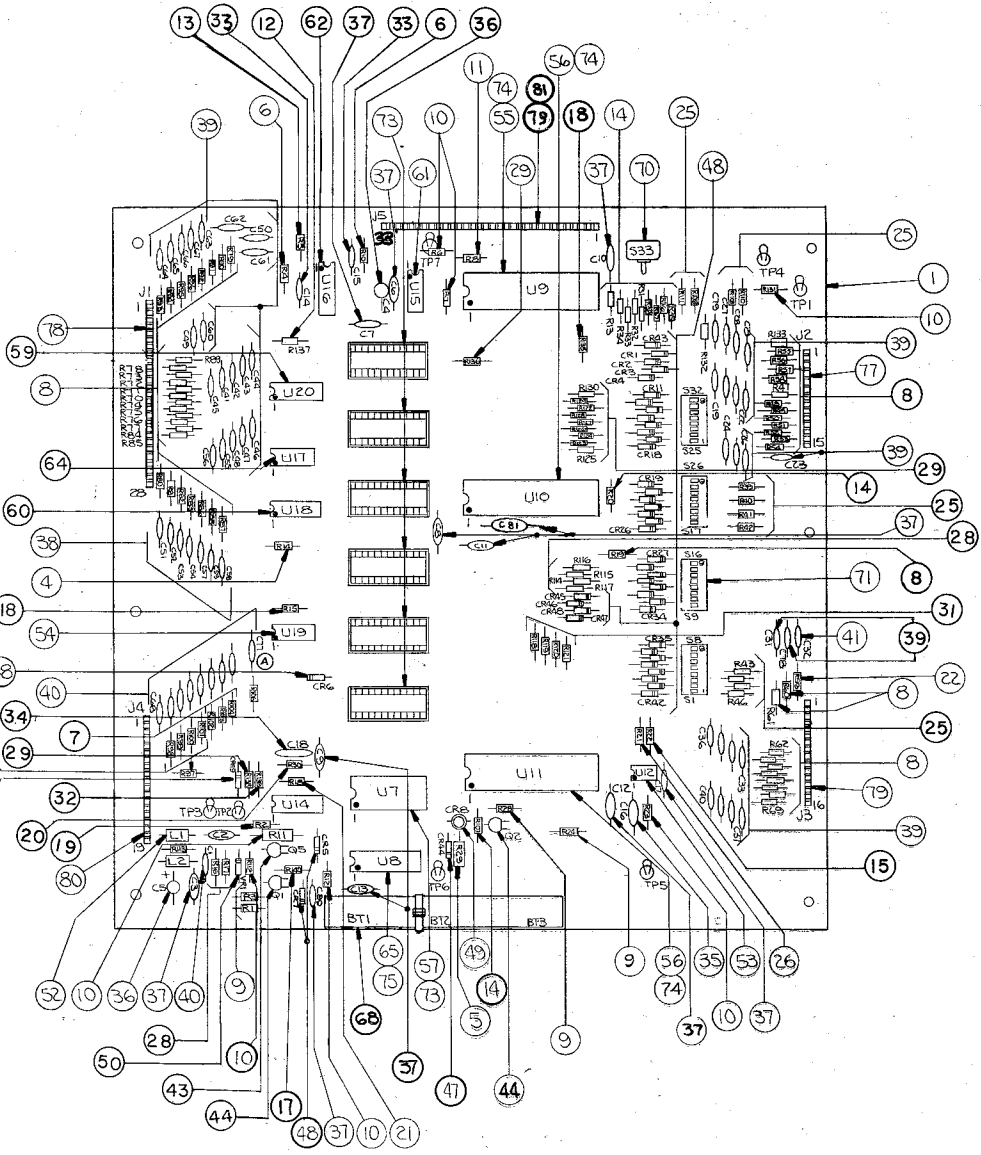
#### **MODULE COMPONENT STARTER KITS**

(Each Kit contains an assortment of the most needed electronic parts for use in Module repair.)

- Kit #490—For Rectifier Board (Part of A2)
- Kit #503—For MPU Board A4 (Less Memory U1-U6)
- Kit #492—For Solenoid Driver/Voltage Regulator A3
- Kit #493—For Display Driver A1
- Kit #494—For Lamp Driver A5
- Kit #559—For Sound A8



# AS-2518-35 MPU MODULE



## A4: MPU MODULE COMPONENT PARTS LIST

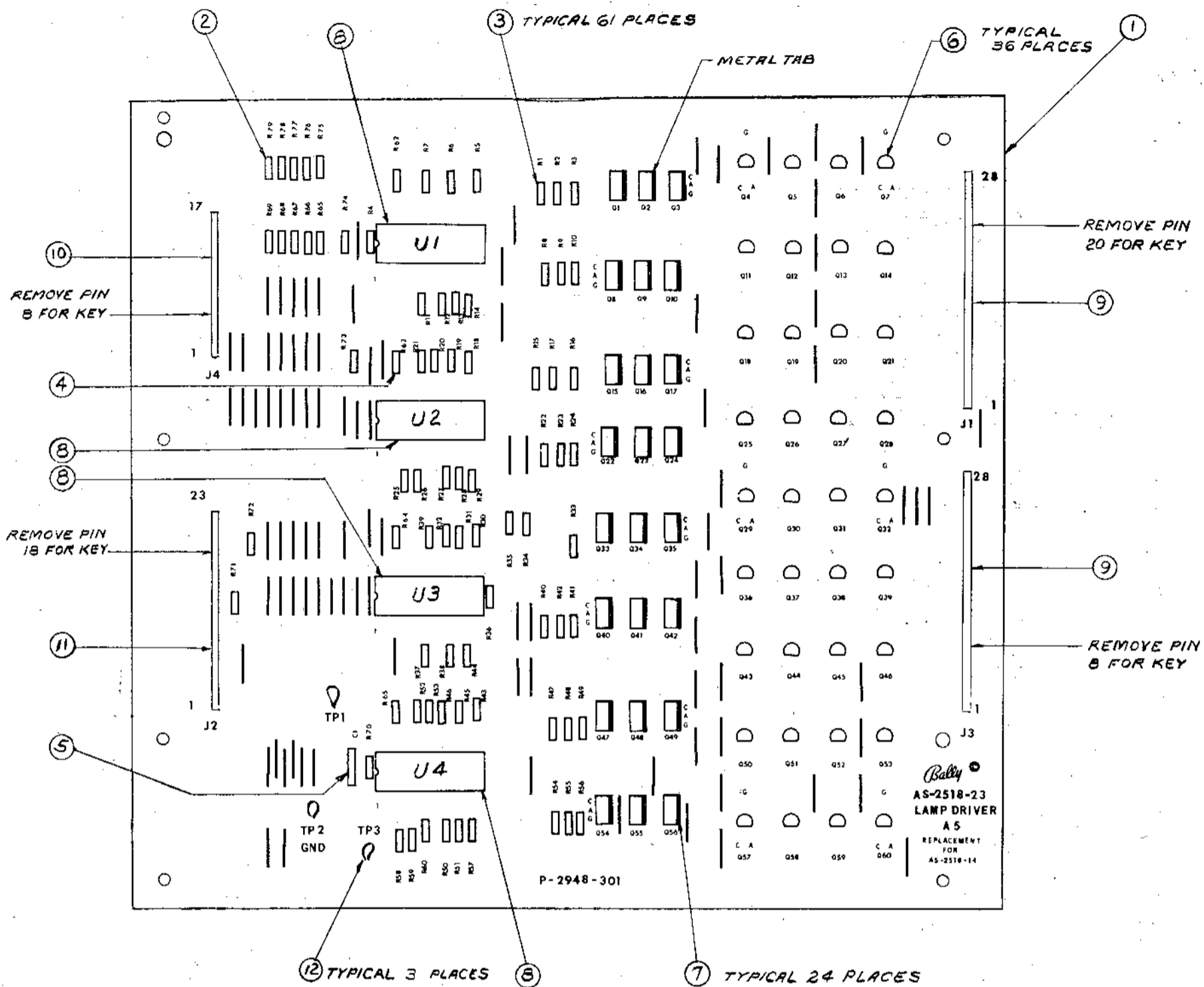
ITEM	REFERENCE DESIGNATION	BALLY PART #	DESCRIPTION
1	A4 (see note 1)	AS-2962-18	MPU Module Complete. Mystic
2	A4 (see note 2)	AS-2518-35	MPU Module less Program Memory, U1-6 incl.
3-32	See Schematic		Resistors, See schematic for value
33	C14, C15	E-00586-0067	Capacitor, 470 PFD, 1kv
34	C18	E-00586-0088	Capacitor, .05 MFD, 16V
35	C16	E-00586-0081	Capacitor, .1 MFD, 100V
36	C4, C5	E-00586-0073	Capacitor, 4.5 MFD, 25V
37	C3, C6-C13, C17, C81	E-00586-0085	Capacitor, .01 MFD, 25V
38	C79, C41-C67	E-00586-0083	Capacitor, 470 PFD, 50V
39	C19-C31, C78, C33-C40	E-00586-0082	Capacitor, 390 PFD, 50V
40	C1, C2, C68-C77	E-00586-0084	Capacitor, 820 PFD, 50V
41	C32	E-00586-0077	Capacitor, 3000 PF, 1kv
43	Q5	E-00585-0023	Transistor PNP (MPS-3702)
44	Q1, Q2	E-00585-0031	Transistor (2N3904)
47	CR44	E-00587-0006	Diode (1N4004)
48	CR1-CR7, CR11-CR43, CR45-CR49	E-00587-0014	Diode (1N4148)
49	CR8	E-00679	LED (Green)
50	VR1	E-00598-0008	Diode Zener (8.2V, 1N9598)
52	L1, L2	E-00604-0003	Inductor, 22 Micro Hy.
53	U12	E-00620-0004	Timer (555)
54	U19	E-00620-0005	Quad 2 Input (4011)
55	U9	E-00620-0028	MPU I.C. (6800)
56	U10, U11	E-00620-0029	PIA I.C. (6820)
57	U7	E-00620-0030	RAM I.C. (6810)
59	U20	E-00620-0032	HEX Buffer I.C. (14502B)
60	U14, U18	E-00620-0033	HEX Inverter (4049B)
61	U15	E-00620-0034	Quad Memory Drive (MC3459L)
62	U16	E-00620-0035	Dual Monostable (9602)
64	U17	E-00620-0041	Quad 2 Inputs (74L00N)
65	U8	E-00620-0042	RAM (C MOS, P5101L-3)
68	BT1, BT2, BT3	E-00628-0003	Battery
70	S33	E-00658-0001	Push Button Switch
71	S1-S8, S9-S16, S17-S24, S25-S32	E-00677	DIP Switch
73		E-00712	24 Pin Socket
74		E-00712-0001	40 Pin Socket
75		E-00712-0003	22 Pin Socket
77	J2	E-00715	15 Pin Wafer Connector
78	J1	E-00715-0004	28 Pin Wafer Connector
79	J3, J5	E-00715-0017	16 Pin Wafer Connector
80	J4	E-00715-0018	19 Pin Wafer Connector
81	J5	E-00715-0024	17 Pin Wafer Connector

### NOTE 1:

When ordering, fill in dash number. For example, AS-2962-0: LOST WORLD, AS-2962-2: SIX MILLION DOLLAR MAN, AS-2962-3: PLAYBOY, AS-2962-4: VOLTAN, AS-2962-5: SUPERSONIC, AS-2962-6: STAR TREK, AS-2962-7: KISS, AS-2962-8: PARAGON, AS-2962-9: GROUND SHAKER, AS-2962-10: HARLEM GLOBETROTTERS, AS-2962-12: DOLLY PARTON, AS-2962-13: SILVERBALL MANIA, AS-2962-18: MYSTIC

**NOTE 2:** Order replacement memory chips U1-U6, specifying game, socket and part number stamped on chip.

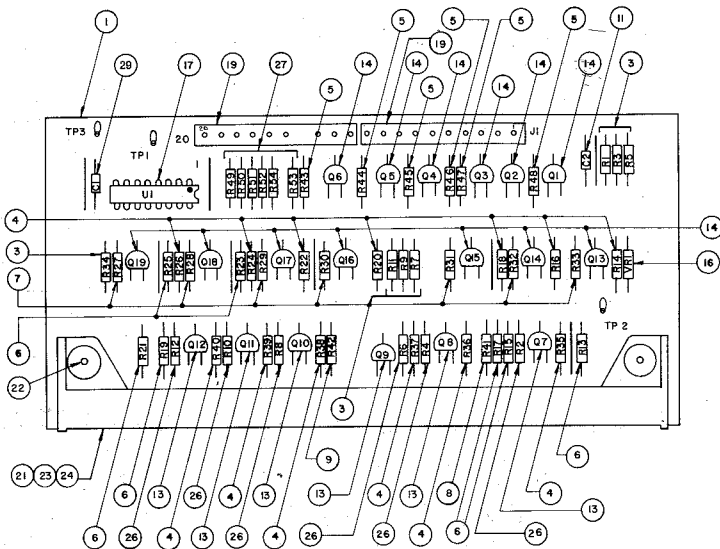
# AS-2518-23 LAMP DRIVER MODULE



## A5: LAMP DRIVER MODULE COMPONENT PARTS LIST

ITEM	REFERENCE DESIGNATION	BALLY PART #	DESCRIPTION
1	A5	AS-2518-23	Lamp Driver Module, Complete
2	R71-R79	E-00105-242	Resistor, 20kΩ, 5%, 1/4 W
3	R1-R60, R70	E-00105-0237	Resistor, 2kΩ, 5%, 1/4 W
4	R61-R69	E-00105-0256	Resistor, 2.2MΩ, 1/4 W
5	C1	E-00586-0065	Capacitor, .01 MFD, 500V
6	Q4-Q7, Q11-Q14, Q18-Q21, Q25-Q32, Q36-Q39, Q43-Q46, Q50-Q53, Q57-Q60	E-00585-0014	SCR, 2N5060
7	Q1-Q3, Q8-Q10, Q15-Q17, Q22-Q24, Q33-Q35, Q40-Q42, Q47-Q49, Q54-Q56	E-00585-0029	SCR, MCR106-1
8	U1-U4	E-00620-0037	I.C., Decoder, 14514B
9	J1, J3	E-00715-0004	28 Pin Wafer Connector
10	J4	E-00715-0024	17 Pin Wafer Connector
11	J2	E-00715-0014	23 Pin Wafer Connector
12	TP1, TP2, TP3	P-05399	Test Clip

## AS-2518-21 DISPLAY DRIVER MODULE

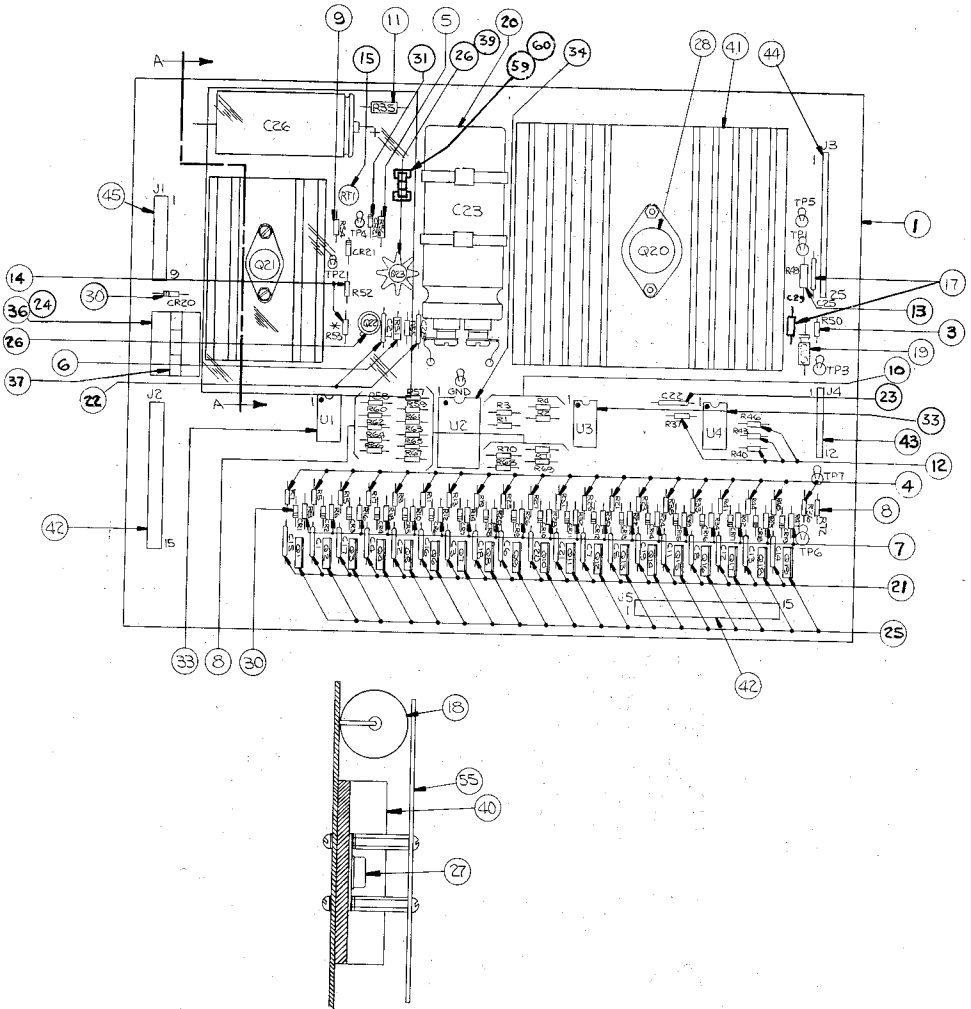


### A1: DISPLAY DRIVER MODULE COMPONENT PARTS LIST

ITEM	QTY.	REFERENCE DESIGNATION	BALLY PART #	DESCRIPTION
1	1		P-2948-296	P.C. Board, M-645-392
3	7	R1, R3, R5, R7, R9, R11, R34	E-105-226	Resistor, 100K $\Omega$
4	13	R14, R16, R18, R20, R22, R24, R26, R35, R36, R37, R38, R39, R40	E-105-227	Resistor, 300K $\Omega$
5	6	R43, R44, R45, R46, R47, R48	E-105-228	Resistor, 9.1K $\Omega$
6	7	R13, R15, R17, R19, R21, R23, R25	E-105-229	Resistor, 1.5K $\Omega$
7	7	R27, R28, R29, R30, R31, R32, R33	E-105-230	Resistor, 1K $\Omega$
8	1	R41	E-105-231	Resistor, 39K $\Omega$
9	1	R42	E-105-271	Resistor, 240K $\Omega$
10				
11	1	C2	E-586-65	Capacitor, .01 MFD, 500V
13	6	Q7, Q8, Q9, Q10, Q11, Q12	E-585-32	Transistor (2N5401)
14	13	Q1, Q2, Q3, Q4, Q5, Q6, Q13, Q14, Q15, Q16, Q17, Q18, Q19	E-585-33	Transistor (MPS-A42)
16	1	VR1	E-598-7	Zener Diode, 110V
17	1	U1	E-620-38	I.C. Decoder
18				
19	2	J1	E-715-34	10 Pin Wafer Pin Connector
21	1	DS1	E-680	Digital Display Panel
22	2		M-1836	Hi-Lo Screw, W/H
23	1		P-2399	Display Mounting (Top)
24	1		P-2399-1	Display Mounting (Bottom)
26	6	R2, R4, R6, R8, R10, R12	E-105-287	Resistor, 2.2K $\Omega$
27	6	R49, R50, R51, R52, R53, R54	E-105-242	Resistor, 20K $\Omega$
28	As Req'd			Wire Jumper
29	1	C1	E-586-85	Capacitor, .01 MFD, 25V

NOTE: INTERCHANGEABLE WITH AS-2518-15

# AS-2518-22 SOLENOID DRIVER/VOLTAGE REGULATOR MODULE



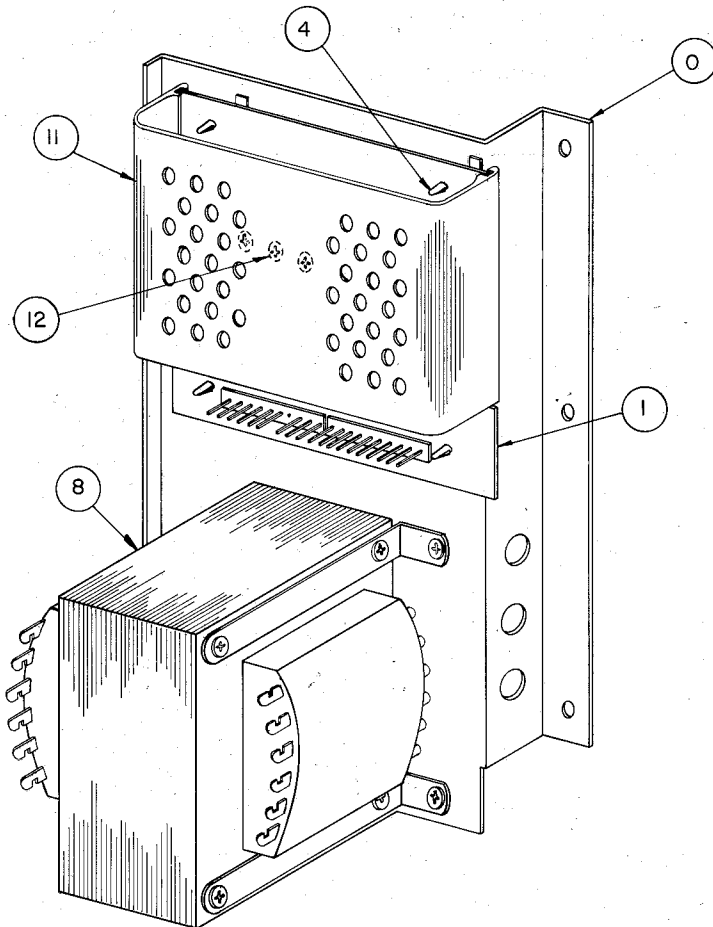
NOTE: INTERCHANGEABLE WITH AS-2518-16

### A3: SOLENOID DRIVER/VOLTAGE REGULATOR MODULE

#### COMPONENT PARTS LIST

ITEM	REFERENCE DESIGNATION	BALLY PART #	DESCRIPTION
1	A3	AS-2518-22	Solenoid Driver/Voltage Regulator Module, Complete
3-14	Resistors		Resistor, See Schematic for value.
15	RT1	E-00599-0014	Pot. (Linear) 25K
17	C25, 29	E-00586-0014	Capacitor, .1 MFD, 20V
18	C26	E-00586-0059	Capacitor, 160 MFD, 350V
19	C24	E-00586-0063	Capacitor, 2 MFD @ 25V
20	C23	E-00586-0062	Capacitor, 11700 MFD, 20V
21	C1-C8, C11-C21	E-00586-0064	Capacitor, .002 MFD, 1kv
22	C27, C28	E-00586-0065	Capacitor, .01 MFD, 500V
24	K1	E-00146-0795	Relay, Printed Circuit
25	Q1-Q19	E-00585-0034	Transistor, SE9302
26	Q22, Q23	E-00585-0041	Transistor, 2N3440
27	Q21	E-00585-0042	Transistor, 2N3584
28	Q20	E-00710	+5V Regulator, LAS1405 or 78H05KC or LM323K
30	CR1-CR21	E-00587-0015	Diode (1N4004)
31	VR1	E-00598-0010	Diode, Zener 140V, 1N5275A
33	U1, U3, U4	E-00681	I.C. Transistor Array, CA3081
34	U2	E-00620-0039	I.C. Binary to 1/16 Decoder, 74L154
36		E-00592-0002*	Relay Socket
37		M-1839*	Relay Holder
39		E-00682	Heat Sink, TO5
40		E-00682-0001	Heat Sink, TO66
41		E-00682-0002	Heat Sink, TO3 Case
42		E-00715-0039	15 Pin Wafer Connector
43		E-00715-0016	12 Pin Wafer Connector
44		E-00715-0020	25 Pin Wafer Connector
45		E-00715-0033	9 Pin Wafer Connector
55		M-1838	Shield-Plexiglass
59		E-00148-0021	Fuse Clips
60	F1	E-00133-0029	Fuse 8 AG-3/16 Amp.
23	C22	E-00586-0085	Capacitor, .01 MFD, 25V

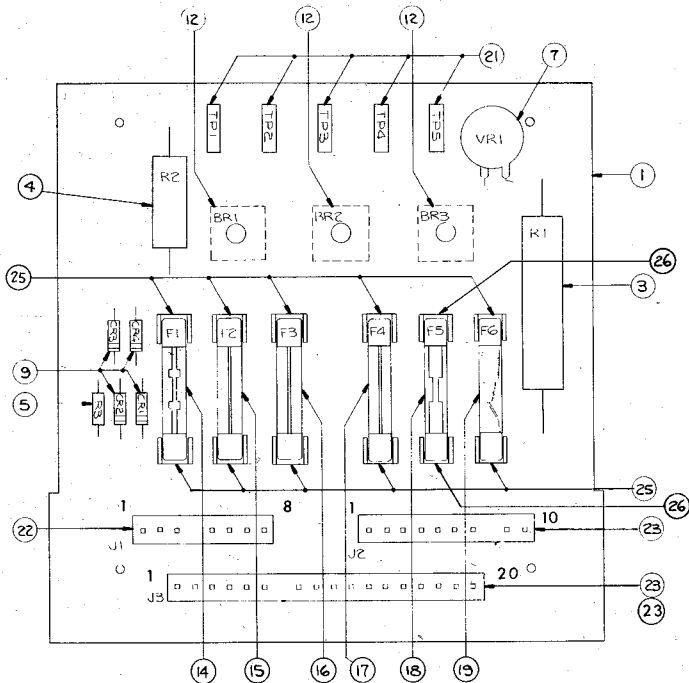
\*USED WITH ITEM 24, E-00146-0791, PLUG IN RELAY ONLY



## A2: POWER TRANSFORMER MODULE COMPONENT PARTS LIST

ITEM	REFERENCE DESIGNATION	BALLY PART #	DESCRIPTION
0	A2	AS-2877-1	Power Transformer Module, Complete
1		AS-2518-18	Rectifier Board Assembly
4		M-1829-2a	Circuit Board Support (4 Req'd.)
8		E-00122-0125c	Transformer 120/240V, 50/60 Hz
11		P-2692b	P.C.B Cover
12		M-1834	Heat Sink Compound

# AS-2518-18 RECTIFIER BOARD ASSEMBLY



## RECTIFIER BOARD ASSEMBLY (Part of) A2: POWER TRANSFORMER MODULE COMPONENT PARTS LIST

ITEM	REFERENCE DESIGNATION	BALLY PART #	DESCRIPTION
1	P/O A2	AS-2518-18	Rectifier Board Assembly, Complete
3	R1	E-00104-0092	Resistor, 10%, 600 Ohm, 10W
4	R2	E-00104-0091	Resistor, 25 Ohm, 5W
5	R3	E-00105-0226	Resistor, 5%, 100K Ohm, 1/4W
7	VR1	E-00623	Varistor
9	CR1, CR2, CR3, CR4	E-00587-0006	Diode (IN4004)
12	BR1, BR2, BR3	E-00602-0003	Bridge Rectifier (VJ248 VARO)
14	F1	E-00133-0010	Fuse, 10A, 32V, 3AG
15	F2	E-00133-0028	Fuse, 3/4A, 250V, 3AG,
16	F3	E-00133-0004	Fuse, 4A, 32V, 3AG
17	F4	E-00133-0005	Fuse, 5A, 32V, 3AG
18	F5	E-00133-0027	Fuse, 20A, 32V, 3AG
19	F6	E-00133-0024	Fuse, 3A, 3AG, S.B.
21		E-00684	Test Point
22	J1,	E-00715-0032	8 Pin Wafer Connector
23	J2, J3	E-00715-0034	10 Pin Wafer Connector
25		E-00148-0021	Fuse Clips
26		E-00148-0022	Fuse Clips



## A8: SOUND MODULE COMPONENT PARTS LIST

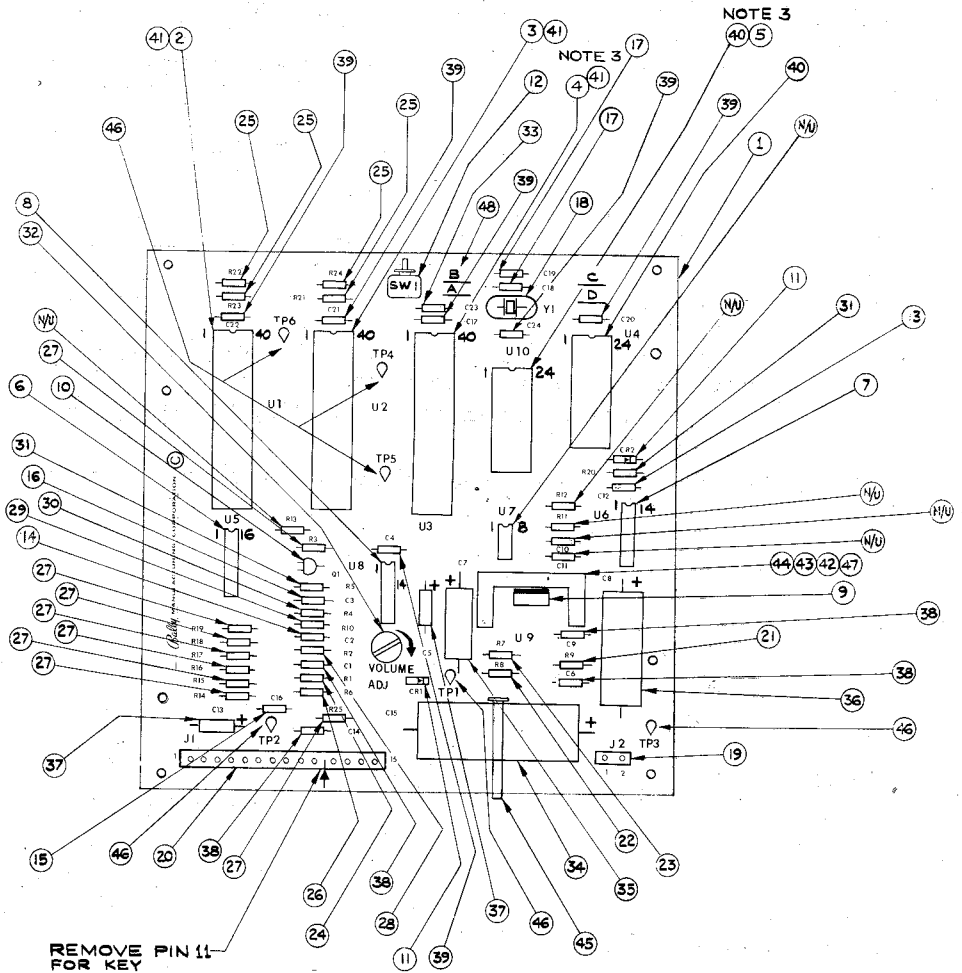
ITEM	REFERENCE DESIGNATION	BALLY PART NO.	DESCRIPTION
1	A8 (see note 1)	AS-3022-7	PWB Module Complete
2	U1	E-620-124	Sound Chip AY-3-8910
3	U2	E-620-29	PIA, 6820/21
4	U3	E-620-125 (E620-128)	CPU, 6808 (6802 Note 3)
5	U10	E-620-30	Ram, 6810 (Note 3)
6	U5	E-620-33	Hex Inverter 4049B
7	U6	E-620-5	Quad 2 Input 4011B
8	U8	E-620-126	Amp, LM3900
9	U9	E-620-127	Power Amp, TDA 2002
10	Q1	E-585-31	Transistor, 2N3904
11	CR1, 2	E-587-6	Diode, 1N4004
12	SW1	E-658-1	Switch
13	C12	E-586-118	Cap. .2MF $\pm$ 20% Y5P, 16 V.
14	C2	E-586-130	Cap. .47 $\pm$ 20%
15	C16	E-586-83	Cap. 470 PF 50 V.
16	C3	E-586-120	Cap. 68 PF $\pm$ 20% 1K
17	C18, 19	E-586-121	Cap. 27 PF $\pm$ 20% 1K
18	Y1	E-744-5	Crystal, 3.579545 MHZ
19	J2	E-736-2	Connector, Wafer, 2 Pin KK156
20	J1	E-736-15	Connector, Wafer, 15 Pin KK156
21	R9	E-105-196	Resistor, 1 Ohm, 1/4 W., 5%
22	R8	E-105-211	Resistor, 2.2 Ohm, 1/4 W., 5%
23	R7	E-105-303	Resistor, 220 Ohm, 1/4 W., 5%
24	R1	E-105-230	Resistor, 1 K, 1/4 W., 5%
25	R21, 22, 23, 24	E-105-238	Resistor, 3.3K. Ohm, 1/4 W., 5%
26	R6	E-105-239	Resistor, 4.7K., 1/4 W., 5%
27	R3, 14, 15, 16, 17, 18, 19, 25	E-105-185	Resistor, 10K., 1/4 W., 5%
28	R2	E-105-245	Resistor, 30K., 1/4 W., 5%
29	R10	E-105-252	Resistor, 180K., 1/4 W., 5%
30	R4	E-105-225	Resistor, 200K., 1/4 W., 5%
31	R5, 20	E-105-285	Resistor, 1M, 1/4 W., 5%
32	RT1	E-599-16	Potentiometer 1K
33	C23	E-586-122	Cap. .001 $\pm$ 20% 25F
34	C15	E-586-123	Cap. 4700 MF @ 25 V.
35	C7	E-586-124	Cap. 470 MF @ 6.3 V
36	C8	E-586-129	Cap. 470 MF @ 16 V.
37	C5, 13	E-586-90	Cap. 1 MF @ 50 V.
38	C9, 1, 14, 6	E-586-89	Cap. .1 MF
39	C4, 22, 17, 21, 20, 24	E-586-85	Cap. .01 MF
40	XU10, XU4	E-712	Socket, 24 Pin
41	XU1, XU2, XU3	E-712-1	Socket, 40 Pin
42	Used with 43	LSPR-00632-1106	Bolt, 6 x 32 x 3/8
43	Used with 42	N-00632-2112	Nut, 6 x 32
44	H,S for U9	E-682-8	Heat Sink, 6030BTT
45	Used with C15	E-647-5	Ty Rap
46	TP1, 2, 3, 4, 5, 6	P-5399	Test Point
47	Use with 44, 9	M-1834	Thermal Grease
48	Jumper, B	W-1211c	22 AWG Wire, Solid Tinned Schematic

**NOTE 1:** When ordering specify name of game.

**NOTE 2:** Order replacement memory chip U4 specifying name of game and part no. stamped on chip.

**NOTE 3:** When using item 4, 6808 you must use item 5, 6810 and the "B" jumper. When item, 6802 is available delete item 5 and use "A" jumper.

# AS-2518-51 SOUND MODULE



## ATTACHMENT II: INSTRUCTION MANUAL

Female insulation displacement connectors are used in the backbox cable harnesses. These connectors can be identified by the side entry of the leads and by their black, plastic covers.

The mating, white, male connectors on the Sound, Solenoid Driver and Transformer modules have .156" center to center spacing. Two pin lengths are in use. This, and all current games have a .450" length. Older games have a .640" length.

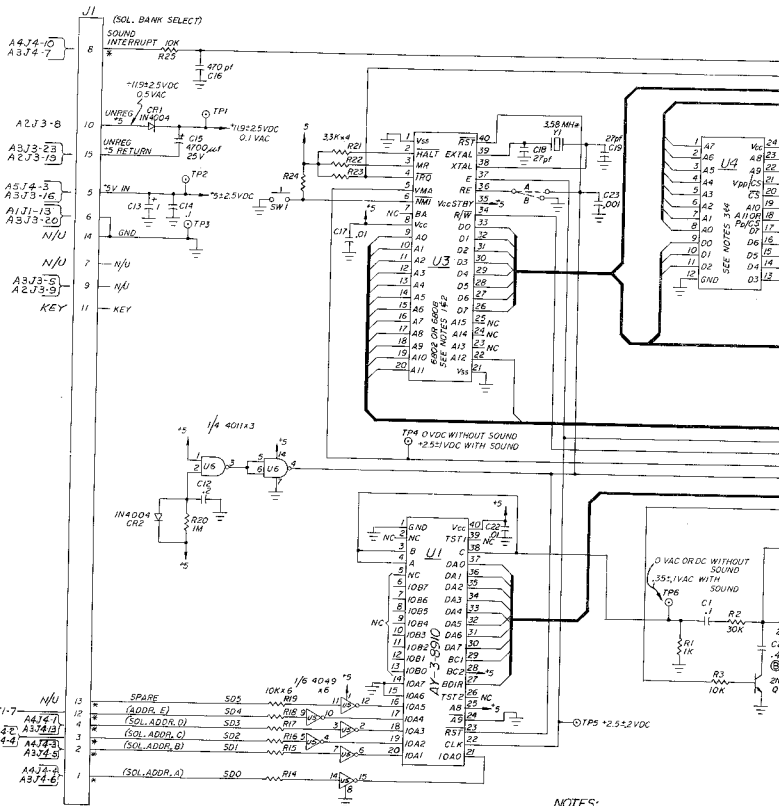
During servicing, when mating insulation displacement connectors on male connectors with a .640" pin length:

1. Hold the female connector parallel to the module surface.
2. Carefully align the openings in the female with the male pins.
3. Mate the connector set firmly but gently while maintaining the parallel relationship.
4. As resistance is encountered, stop applying force. An air gap of about .150" between the male and female connector bodies is normal at complete engagement.

**CAUTION:** It is not necessary or advisable to force the female connector further onto the male pins. Doing so may cause an intermittent connection.

When mating insulation displacement connectors on male connectors with a .450" pin length:

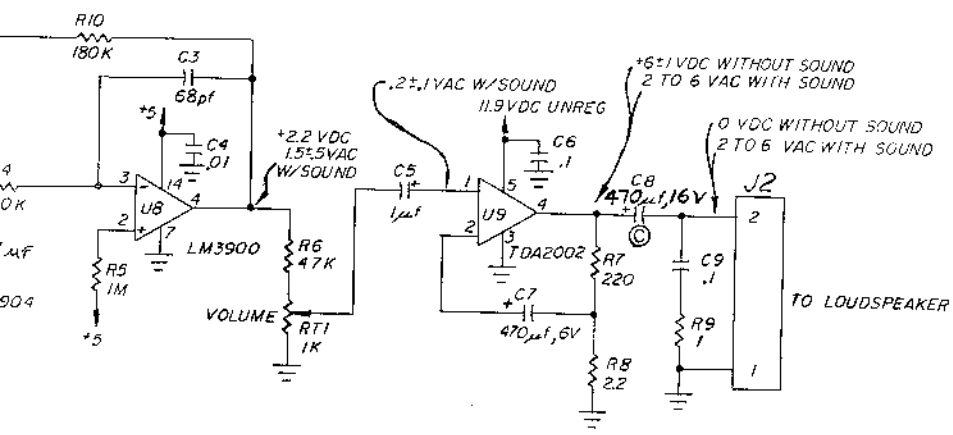
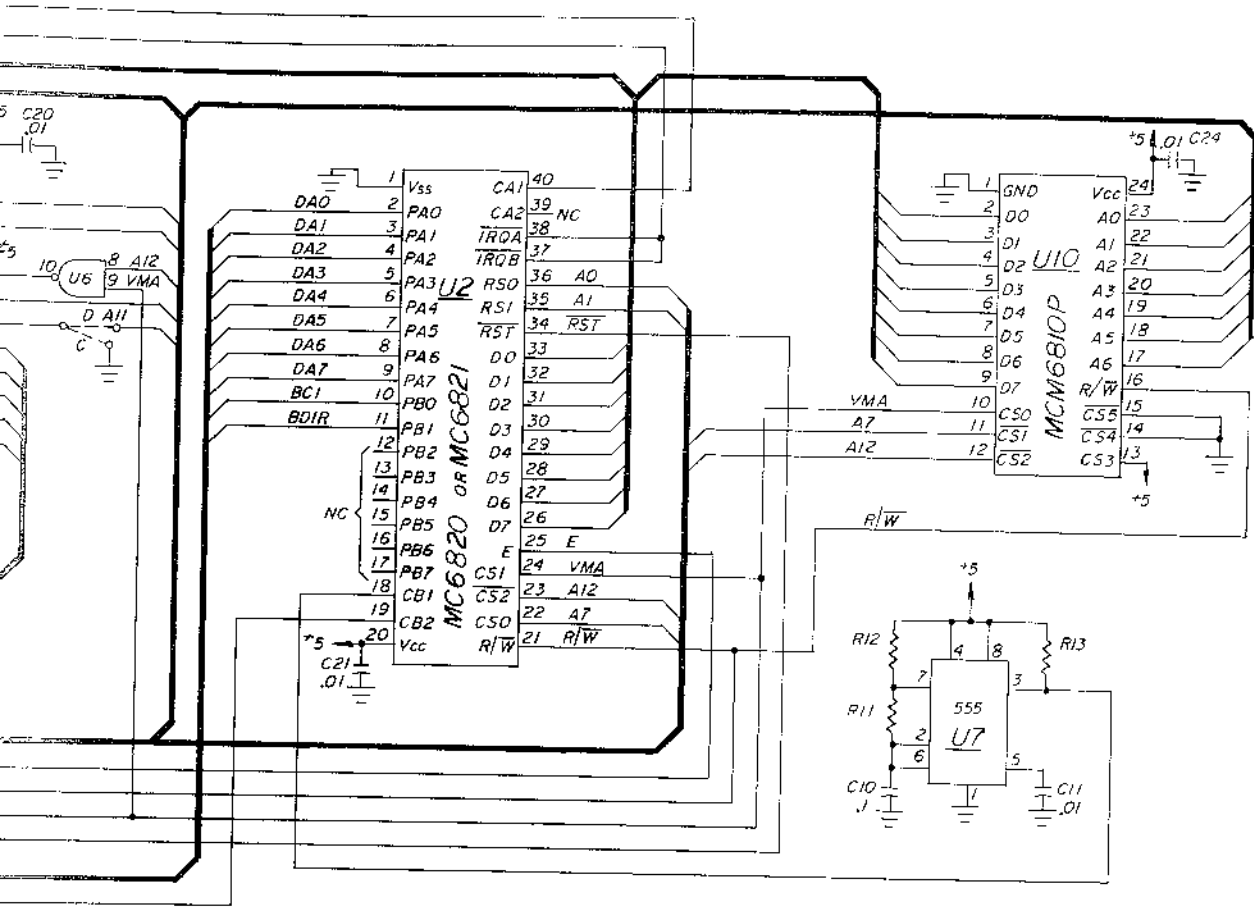
1. Follow steps 1-4 above, but—
2. Disregard the **CAUTION** note. Also, no air gap exists between the connector pair on total engagement.



**NOTES:**

1. USE JUMPER A IF INTERNAL RAM IS USED
2. " " B = EXTERNAL " " "
3. " " C = 2K ROM (EPROM) " "
4. " " D = 4K " " "
5. U7, R12, R13, R14 (CLOCK) NOT USED ON THIS BOARD
6. UNLESS OTHERWISE INDICATED, ALL RESISTOR ALL CAPACITOR VALUES ARE IN MANF'D.
7. PREFIX ALL REFERENCE DESIGNATIONS WITH BOARD #
8. \* INDICATES "A0" TEST POINT.

PER.	DEPT.	DESCRIPTION	TOOL NO.



(6802 WITHOUT U10).  
 (6808 / 6810).  
 (G1 9316B INTEL 2716 OR EQUIV.).  
 (T1 TMS 2532 TMS 4732 OR EQUIV.).  
 ALL DIMENSIONS IN INCHES.  
 DIMENSIONS FOR VALUES ARE IN OHMS.

REMOVE ALL BURRS				DO BY NRW	DATE 9-13-79	Bally MANUFACTURING CORP. 2640 BELMONT AVENUE CHICAGO, ILLINOIS				
TOLERANCES ON DIMENSIONS UNLESS OTHERWISE SPECIFIED				CK. BY CMT	DATE 9-13-79	ASSEMBLY NO. 1173				
FRACTIONS = 008				APP'D BY J.P.	DATE 9-13-79	PART CONTROL				
DECIMALS = .001				FINISH:		DIE SIZE		C.C.	FT. PER M.	LBS. PER M.
EXCEPT HOLE DIA'S				NAME COMPUTER SOUND MODULE		ASSEM. NO. USED		SCALE		
ANGLES = 1/2"				AB SCHEMATIC		AS-2518-51		H		
DO NOT SCALE DRAWING				MATERIAL		PART NO.		W-1211 c		
NO. LET. CHANGE				DATE BY		CODE				



J1 PLAYFIELD

- 1 GEN. ILL. RET.
- 7 SW. ILL. BUS.
- 8 GEN. ILL. BUS.
- 6 SOLENOID BUS.
- 4 KEY
- 3 SPARE
- GEN. ILL. BUS (B)
- GENERAL ILL. RET. (D)

J2 CABINET

- 6 A.C. POWER
- 7 A.C. RET
- 2 SOLENOID BUS
- 1 GEN. ILL. BUS.
- 5 GEN. ILL. RET.
- 9 FLIP SW. RET.
- 10 POWER LINE GRD
- 3 SPARE
- 4 SPARE
- 8 KEY

J3 BACKBOX

- 9 RELAY ,ABJ1-9 (G)
- 12 Z. C. INPUT ,A4J4-15 (C)
- 13 SOLENOID BUS.
- 5 TO REG (190) INPUT
- 11 GEN. ILL BUS
- 6 SW. ILL BUS
- 8 TO REG (+5) INPUT (ABJ1-10 (H) A3J3-12)
- 2 GEN. ILL. RET.
- 3 SW. LAMP RET.
- 4 SW. LAMP RET
- 14 SW. LAMP RET.
- 15 TO REG (+5) RET.
- 16 TO REG 190 RET.
- 17 TO REG +5 FILT RET.
- 18 TO REG (190) FILT RET.
- 19 SOLENOID RET. BUS.
- 20 SOLENOID RET. BUS.
- 10 GEN. ILL. BUS.
- 7 KEY
- 1 GEN. ILL. RET.

NOTES:

1. WIRE A.C. POWER AND TERMINALS PER TABLE 1.
2. VOLTAGES SHOWN ARE FOR GAME IN POWER-UP CONDITION.
3. PREFIX ALL REFERENCE DESIGNATIONS WITH A2.

TABLE 1  
POWER LINE CONNECTIONS

LINE VOLTAGE VIRMS A.C.	STRAP TERMINALS	APPLY POWER TO TERMINALS
115	1T03 AND 3T011	1 AND 9
120	1T03 AND 3T07	1 AND 5
220	3T05	1 AND 12
240	3T05	1 AND 7

DIE SIZE — C.C. — FT. PER M — LBS. PER M —

ALL DESIGN, OPERATING AND PROCESS DATA PERTAINING TO THE ARTICLES SHOWN ON THIS SHEET IS THE PROPERTY OF BALLY MFG. CO. CHICAGO, ILL. THIS INFORMATION IS FURNISHED IN CONFIDENCE AND IS NOT TO BE COPIED, REPRODUCED, REVEALED TO OR APPROPRIATED BY OTHERS IN PART OR IN WHOLE, WITHOUT THE EXPRESS CONSENT OF THE COMPANY. THIS PRINT IS LOANED AND MUST NOT BE USED IN ANY MANNER UNAUTHORIZED TO THE EXTENT OF THE ORIGINAL AND MUST BE RETURNED ON DEMAND.

FEB 21 1977 **Bally** MANUFACTURING CORP.  
2648 BELMONT AVENUE  
CHICAGO, ILLINOIS 1074 -E

NO. H	ADDED ABJ1-10, A3J3-12	10-179	E.V.	FD
5	ADDED ABJ1-9	9-1879	V.	FD
7	BRASS (S.B)	BR-118	V.	FD
7	V2 2002 28	11-218	FR.	FD
2	D 31-2 REW "GND"			
2	C 31-2 REW "3 INPUT"			
1	REPAIR JUMPER J1-5 TO J3-1			
1	FE WAS 5.0A			

REMOVE ALL BURS

TOLERANCES ON DIMENSIONS UNLESS OTHERWISE SPECIFIED

FRACTIONS: SECIMALS

ANGLES: °

DI NOT SCALE DRAWING

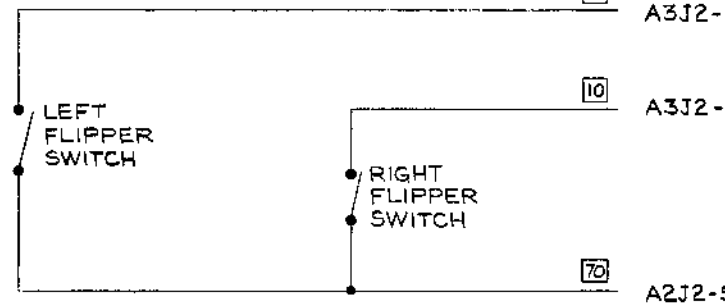
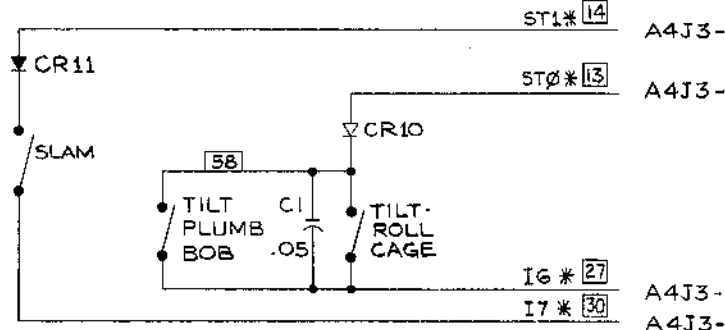
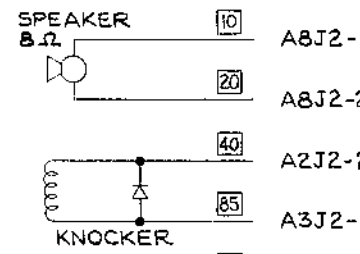
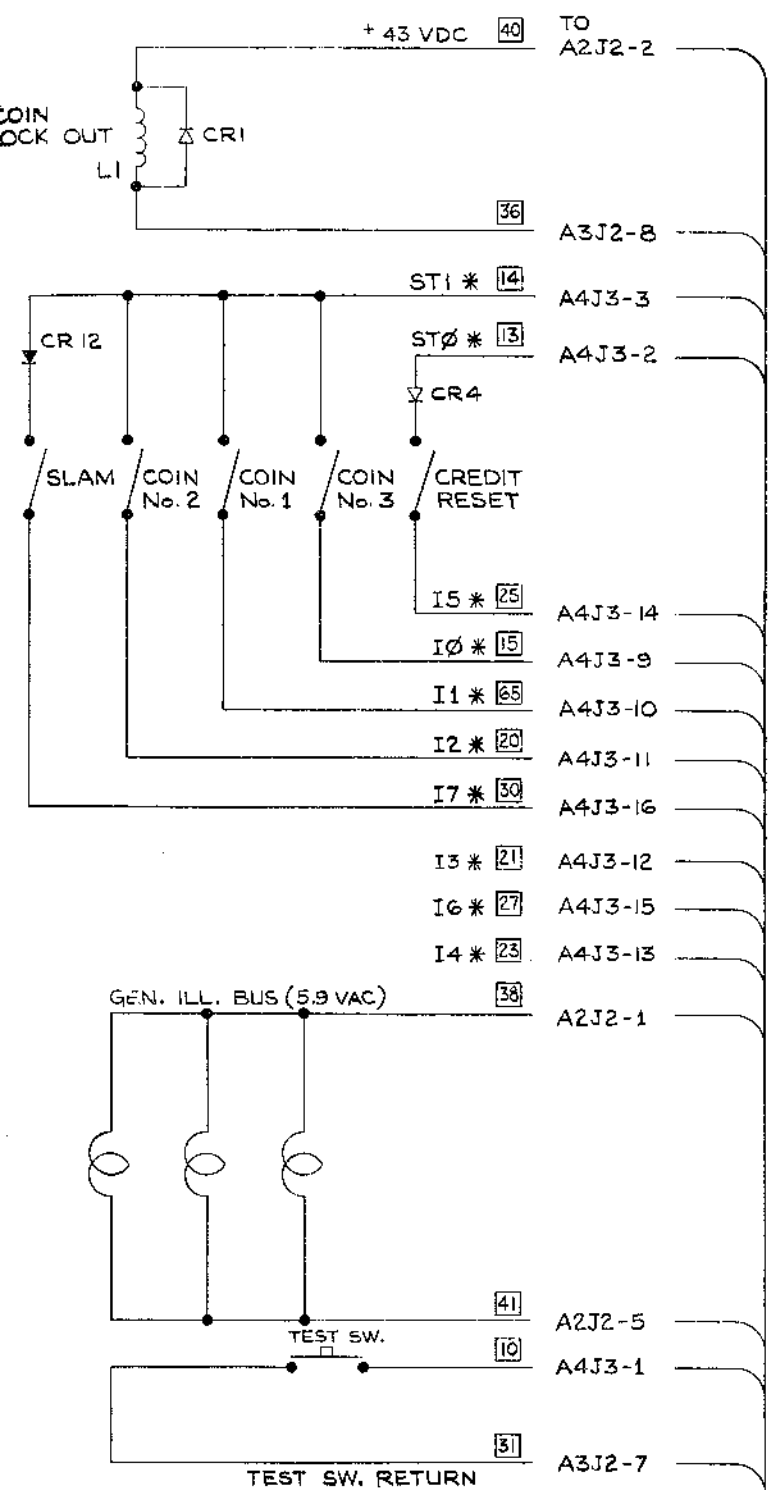
DATE: FEB 21 1977

NAME: POWER TRANSFORMER MODULE SCHEMATIC

ASST. NO. USED ONLY: 1074 -E

PART NO. W-1185-1c

NO.	LET.	CHANGE	DATE	BY	OK.



P1

J1

TO	J1 PIN	TO	J1 PIN
A4J3-9	1	A4J3-3	11
A4J3-10	2	A2J2-2	15
A4J3-11	3	A3J2-8	16
A4J3-12	4	A2J2-1	17
A4J3-13	5	A2J2-5	18
A4J3-14	6	A4J3-1	19
A4J3-15	7	A3J2-7	20
A4J3-16	8		
A4J3-2	10		

DOOR PLUG

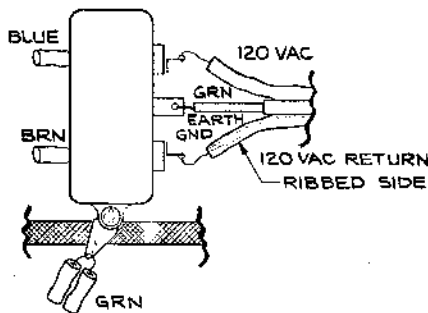
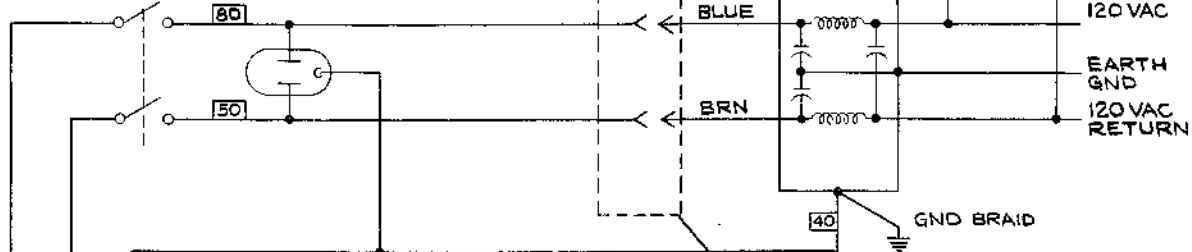
A7 CABINET A  
NOTE: - DIODES ARE

NO.	DESCRIPTION	TOOL No.
3		
4		
5		
6		
7		
8		
9		
10		
11		
12		
13		
14		
15		
16		
17		
18		
19		
20		
21		
22		
23		
24		
25		
26		
27		
28		
29		
30		
31		
32		
33		
34		
35		
36		
37		
38		
39		
40		
41		
42		
43		
44		
45		
46		
47		
48		
49		
50		

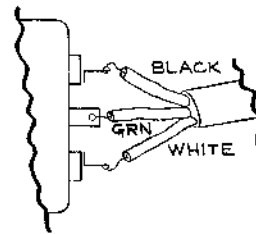


VRI (SEE NOTE)

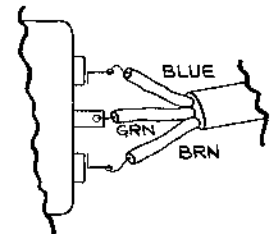
POWER ON/OFF SERVICE OUTLET



FLI LINE FILTER USA

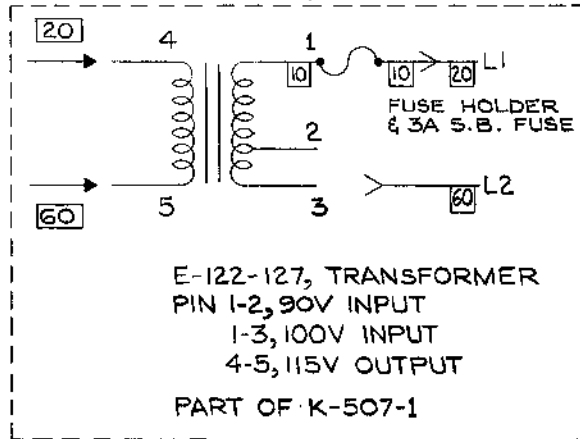


USA/CALIFORNIA E-126-75 LINE CORD



EUROPE E-126-90,83

JAPAN ONLY, 100VAC



E-122-127, TRANSFORMER  
PIN 1-2, 90V INPUT  
1-3, 100V INPUT  
4-5, 115V OUTPUT  
PART OF K-507-1

NOTE: (CAUTION)

1. USE BALLY PART No. E-713 FOR 115-120 VAC.
2. USE BALLY PART No. E-713-1 FOR 220-240 VAC.
3. \* INDICATES AID TEST POINT.

TO A2J2-6 (30)  
A2J2-7 (20)  
A2J2-10 (40)

TO BACKBOX

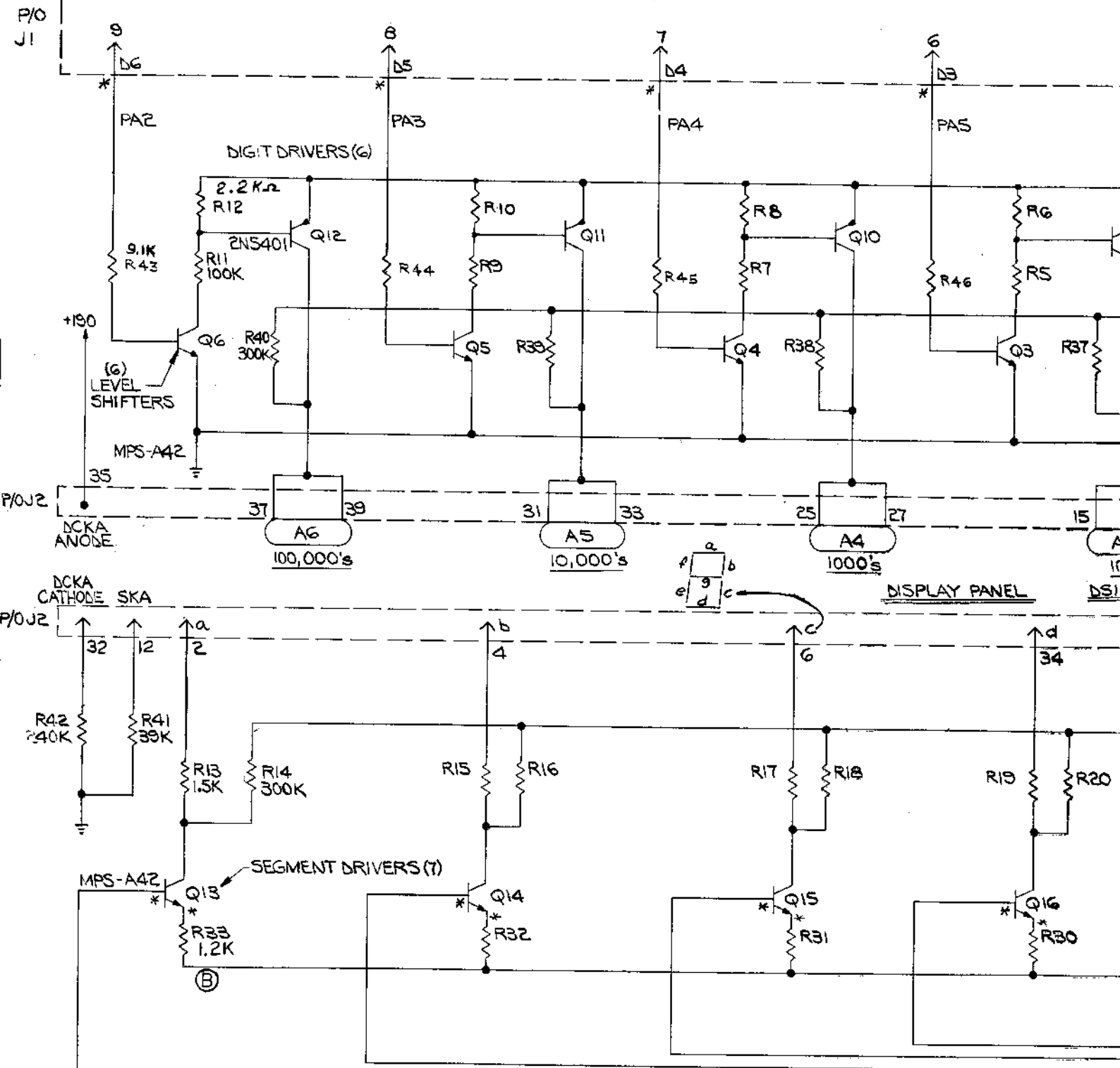
SSY. WIRING

E IN4004, (E-587-6)

ALL DESIGN, DIMENSIONS AND MATERIAL DATA PERTAINING TO THE ARTICLE SHOWN ON THIS SHEET IS THE PROPERTY OF BALLY MFG. CORP., CHICAGO, ILL. THIS INFORMATION IS DISCLOSED IN CONFIDENCE AND IS NOT TO BE COPIED, REPRODUCED, REVEALED TO OR APPROPRIATED BY OTHERS, IN PART OR IN WHOLE, WITHOUT THE EXPRESS CONSENT OF THE OWNERS. THE PRINT IS LOANED AND MUST NOT BE USED IN ANY MANNER DETRIMENTAL TO THE INTEREST OF THE COMPANY, AND MUST BE RETURNED ON DEMAND.

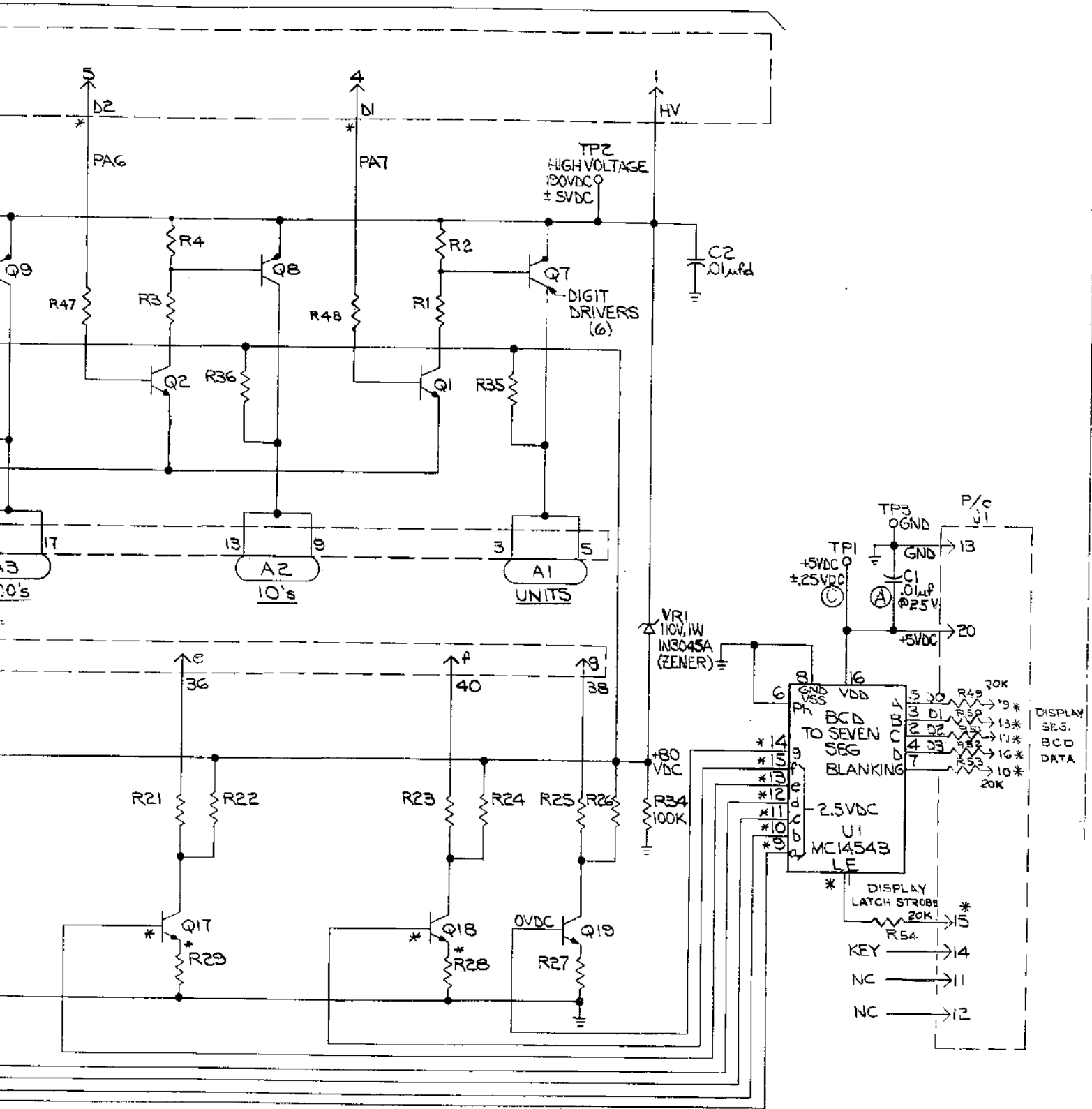
REMOVE ALL BURRS		DR. BY DATE E.V. 3-28-79		Bally MANUFACTURING CORP. 2640 BELMONT AVENUE CHICAGO, ILLINOIS		1161-E	
TOLERANCES ON DIMENSIONS UNLESS OTHERWISE SPECIFIED FRACTIONS: 1/16 DECIMALS: .1 ANGLES: 1/2		CK. BY DATE		PRINT CONTROL		TOTAL	
DO NOT SCALE DRAWING		AP'D BY DATE J.D. 4-5-79		MATERIAL		SCALE	
LFT. CHANGE DATE BY CK.		AP'D BY DATE E.V.M. 4-5-79		NAME WIRING DIAGRAM ELECTRONIC		ASSEM. NO.	
		FINISH		PART NO. W-1186-6 c			

DISPLAY DIGIT ENABLE



NOTES:

1. UNLESS OTHERWISE SPECIFIED ALL RESISTORS ARE ± 5%, 1/4W.
2. PREFIX ALL REFERENCE DESIG. WITH ASSEMBLY REFERENCE DESIG. "A"
3. \* INDICATES 'AID' TEST POINT.

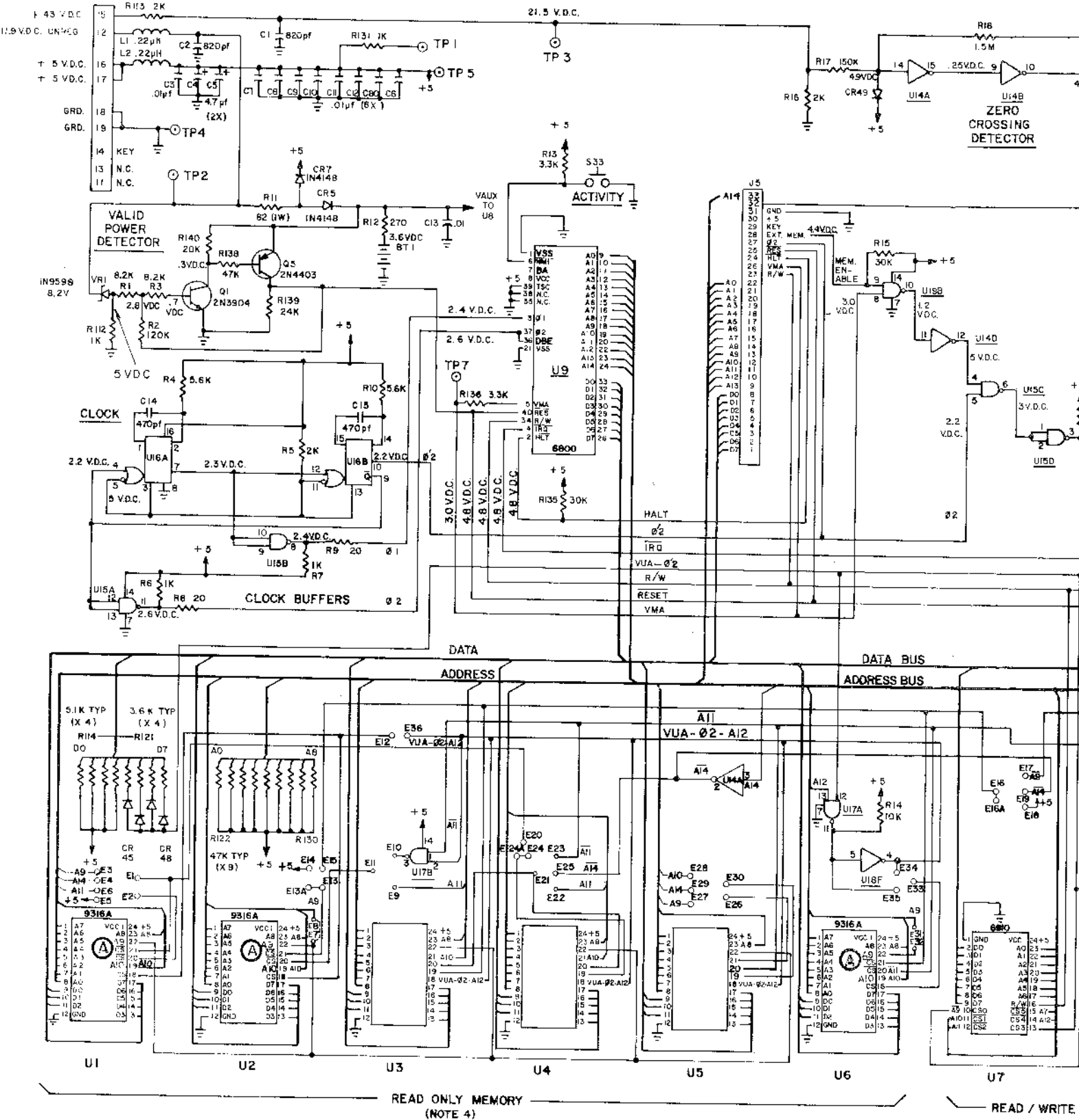


DIE SIZE — G.C. — FT. PER M — LBS. PER M —

ALL DESIGN, OPERATIVE AND PROCESS DATA PERTAINING TO THE ARTICLE SHOWN ON THIS SHEET IS THE PROPERTY OF BALLY MFG. CO., CHICAGO, ILL. THIS INFORMATION IS DISCLOSED IN CONFIDENCE AND IS NOT TO BE COPIED, REPRODUCED, REVEALED TO OR APPROPRIATED BY OTHERS, IN PART OR IN WHOLE, WITHOUT THE EXPRESS CONSENT OF THE OWNERS. THE PRINT IS LOANED AND MUST NOT BE USED IN ANY MANNER DETRIMENTAL TO THE INTEREST OF THE OWNERS, AND MUST BE RETURNED ON DEMAND.

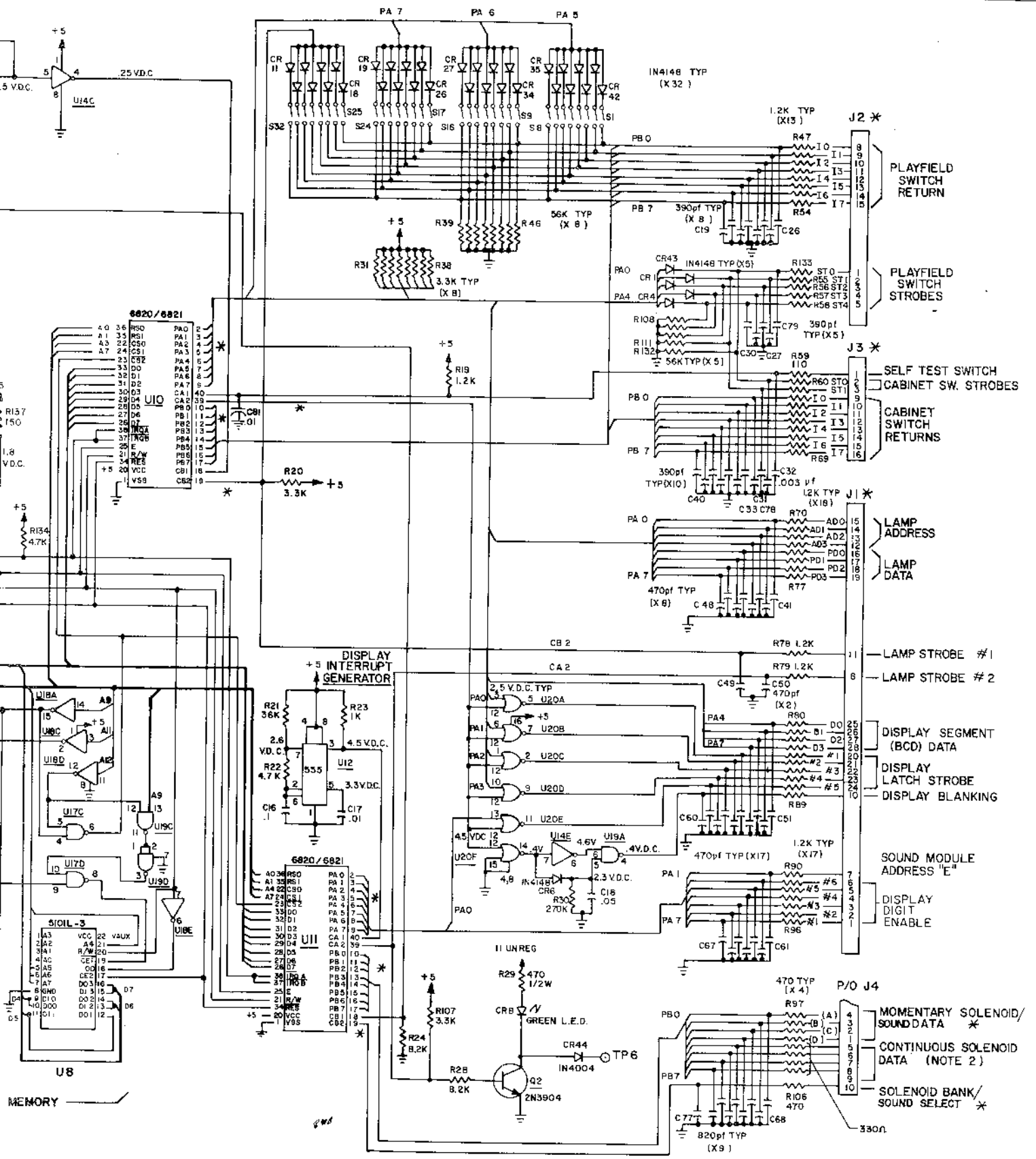
REMOVE ALL BURRS				DR. BY: <i>D.G.</i>	DATE: 7/27/77	<b>Bally MANUFACTURING CORP.</b> #1120-E 2640 BELMONT AVENUE CHICAGO, ILLINOIS <i>M. VERTICES</i>																								
TOLERANCES ON DIMENSIONS UNLESS OTHERWISE SPECIFIED				DR. BY: <i>R.D.M.</i>	DATE: 3/8/77																									
FRACTIONS ±				APP'D BY: <i>[Signature]</i>	DATE: 12/14/77	<table border="1"> <tr> <th>NO.</th> <th>LET.</th> <th>CHANGE</th> <th>DATE</th> <th>BY</th> <th>CHK.</th> </tr> <tr> <td>3</td> <td>C</td> <td>WAS VAC</td> <td>6-20-86</td> <td>J.D.</td> <td></td> </tr> <tr> <td>2</td> <td>B</td> <td>WAS 1K</td> <td>3-28-80</td> <td>J.D.</td> <td></td> </tr> <tr> <td>1</td> <td>A</td> <td>WAS 500V</td> <td>4-14-79</td> <td>J.D.</td> <td></td> </tr> </table>	NO.	LET.	CHANGE	DATE	BY	CHK.	3	C	WAS VAC	6-20-86	J.D.		2	B	WAS 1K	3-28-80	J.D.		1	A	WAS 500V	4-14-79	J.D.	
NO.	LET.	CHANGE	DATE	BY	CHK.																									
3	C	WAS VAC	6-20-86	J.D.																										
2	B	WAS 1K	3-28-80	J.D.																										
1	A	WAS 500V	4-14-79	J.D.																										
DECIMALS ±				FINISH: <i>[Signature]</i>	NAME: 6 DIGIT	ASSEM. NO. USED ON: AS-2518-21																								
ANGLES ±				HARDENING: <i>[Signature]</i>	MATERIAL: DISPLAY BOARD SCHEMATIC "A"	PART NO. W-1184-1c																								
DO NOT SCALE DRAWING																														

P/O J4



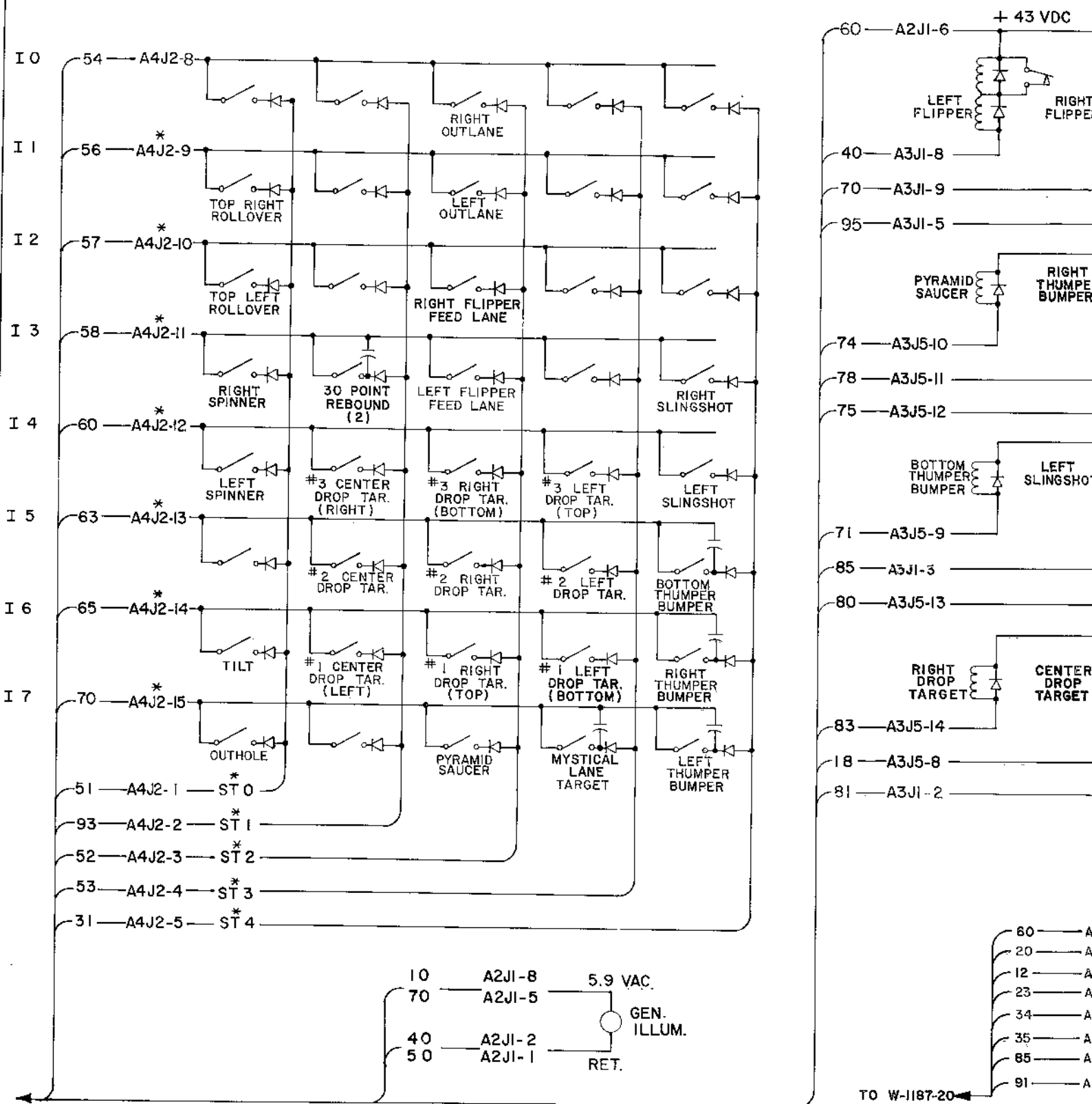
NOTES

1. \* INDICATES "AID" TEST POINT.
2. REMOVE A3J4 BEFORE USING AS AID TEST POINT
3. PREFIX ALL REFERENCE DESIGNATIONS WITH "A4"
4. EXACT CHIP COMPLEMENT USED IN SOCKETS U1 THRU U6 CAN VARY FOR DIFFERENT GAMES AND PRODUCTION LOTS. TABLES OF MEMORY CHIPS AND CORRESPONDING JUMPERS FOR DIFFERENT GAMES AVAILABLE FROM BALLY FIELD SERVICE DEPARTMENT.



ALL DESIGN, OPERATIVE AND PRECISE DATA PERTAINING TO THE ARTICLE SHOWN ON THIS SHEET IS THE PROPERTY OF BALLY MFG. CORP. CHICAGO, ILL. THIS INFORMATION IS DISCLOSED IN CONFIDENCE AND IS NOT TO BE COPIED, REPRODUCED, REVULSED TO OR APPROPRIATED BY OTHERS IN PART OR IN WHOLE WITHOUT THE EXPRESS CONSENT OF THE OWNERS. THE PRINT IS LOANED AND MUST NOT BE USED IN ANY MANNER ULTIMATELY TO THE INTEREST OF THE OWNERS, AND MUST BE RETURNED ON DEMAND.

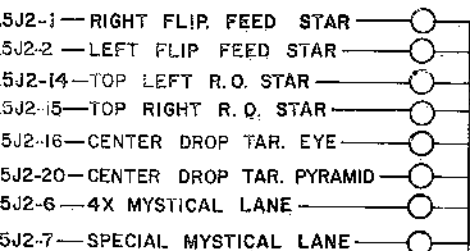
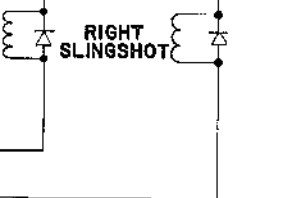
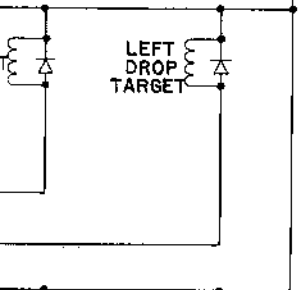
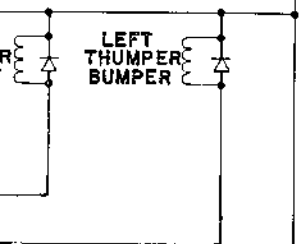
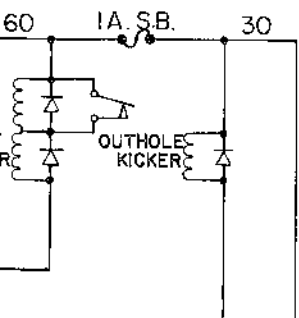
REMOVE ALL BURRS		DR. BY	DATE	Bally MANUFACTURING CORP.		2640 BELMONT AVENUE		CHICAGO, ILLINOIS		1119-E	
TOLERANCES ON DIMENSIONS UNLESS OTHERWISE SPECIFIED FRACTIONS - 1/64 DECIMALS - .005 ANGLES - 1		CK BY	DATE	M.P.U. CONTROL BOARD SCHEMATIC		ASSEM NO		USED ON #		PART NO.	
DO NOT SCALE DRAWING		FINISH:		MATERIAL		W-1181-3c					



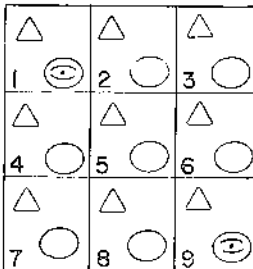
PLAYFIELD A6

NOTES

1. INDICATES NOT USED
2. N/U = NOT USED ON PLAYFIELD
3. \* INDICATES AID TEST POINT
4. COIL DIODES ARE IN4004, (E-587-6) SWITCH DIODES ARE IN 414  
ALL CAPACITORS ARE .05 MFD. (E-586-80)



- 58 — A5J1-18-9K BONUS
- 60 — A5J1-19-45K BONUS
- 57 — A5J1-17-LEFT D.T. ARROW
- 56 — A5J1-23-RIGHT D.T. ARROW
- 54 — A5J1-14-CENTER D.T. ARROW
- 13 — A5J1-15-PYR. & EYE SPECIAL
- 12 — A5J1-16-4 STARS EXTRA BALL
- 78 — A5J1-28-4 STARS SPECIAL
- 50 — A5J1-24-2X MYSTICAL LANE
- 90 — A5J1-25-25K MYSTICAL LANE
- 47 — A5J1-26-SAME PLAYER S. A.
- 53 — A5J1-27-RIGHT D.T. EYE
- 41 — A5J1-1-18K BONUS
- 52 — A5J1-9-54K BONUS
- 51 — A5J1-8-3 CENTER PYRAMID
- 45 — A5J1-3-6 CENTER PYRAMID
- 43 — A5J1-2-9 CENTER PYRAMID
- 23 — A5J1-10-3 CENTER EYE
- 34 — A5J1-7-6 CENTER EYE
- 25 — A5J1-6-9 CENTER EYE
- 48 — A5J1-5-3X MYSTICAL LANE
- 65 — A5J1-11-2X BONUS
- 35 — A5J1-4-N/U
- 61 — A5J1-12-RIGHT D.T. PYRAMID
- 96 — A5J1-13-8 CENTER EYE



- 38 — A5J3-26-27K BONUS
- 36 — A5J3-25-63K BONUS
- 67 — A5J3-19-2 CENTER PYRAMID
- 27 — A5J3-17-5 CENTER PYRAMID
- 25 — A5J3-16-8 CENTER PYRAMID
- 98 — A5J3-23-2 CENTER EYE
- 40 — A5J3-27-5 CENTER EYE
- 30 — A5J3-21-PYRAMID (BACKGLASS)
- 64 — A5J3-20-3X BONUS
- 52 — A5J3-22-EYE (BACKGLASS)
- 72 — A5J3-24-LEFT D.T. EYE
- 10 — A5J3-1-36K BONUS
- 21 — A5J3-12-72K BONUS
- 53 — A5J3-15-1 CENTER PYRAMID
- 20 — A5J3-11-4 CENTER PYRAMID
- 15 — A5J3-9-7 CENTER PYRAMID
- 13 — A5J3-13-CREDIT INDICATOR
- 14 — A5J3-4-4 CENTER EYE
- 95 — A5J3-2-7 CENTER EYE
- 91 — A5J3-10-LEFT & RIGHT SPINNER
- 56 — A5J3-18-4X BONUS
- 81 — A5J3-3-1 CENTER EYE
- 84 — A5J3-14-LEFT D.T. PYRAMID
- 20 — A2J1-7-FEATURE LAMP BUS



8,(E-587-14)

ALL DESIGN, OPERATIVE AND PROCESS DATA PERTAINING TO THE ARTICLE SHOWN ON THIS SHEET IS THE PROPERTY OF BALLY MFG. CORP. CHICAGO, ILL. THIS INFORMATION IS DISCLOSED IN CONFIDENCE AND IS NOT TO BE COPIED, REPRODUCED, REVEALED TO OR APPROPRIATED BY OTHERS IN PART OR IN WHOLE, WITHOUT THE EXPRESS CONSENT OF THE OWNERS. THE PRINT IS OWNED AND MUST NOT BE REPRODUCED OR OTHERWISE DETRIMENTAL TO THE INTERESTS OF THE OWNERS AND MUST BE RETURNED ON DEMAND.

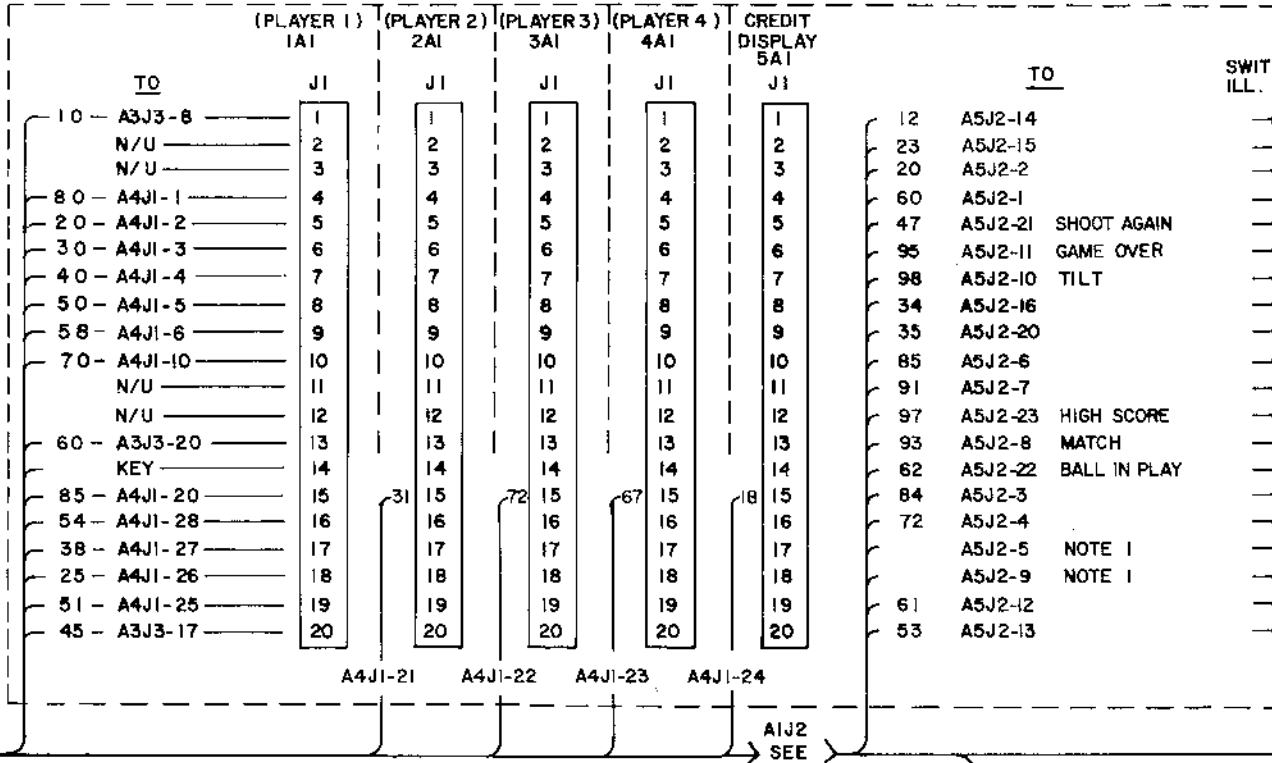
REMOVE ALL BURRS		DR. BY DATE		Bally MANUFACTURING CORP.		2640 BELMONT AVENUE		#1192	
TOLERANCES ON DIMENSIONS UNLESS OTHERWISE SPECIFIED FRACTIONS - 1/64 DECIMALS - .005 ANGLES - °		CR. BY DATE		CHICAGO, ILLINOIS		TOTAL		SCALE	
DO NOT SCALE DRAWING		AP'D BY DATE		NAME		ASSEM. NO. USED ON W		PART NO.	
		FINISH:		MATERIAL		SWITCH MATRIX		W-1192-20	
LET. CHANGE DATE BY CK.		HARDENING:				MYSTIC			

TABLE A AIJ2

FROM	PIN	WIRE
A2J3-6	1	20
A5J2-14	2	12
A2J3-2	3	50
A2J3-11	4	10
A5J2-23	5	97
A5J2-15	6	23
A5J2-22	7	62
A5J2-8	8	93
A5J2-1	9	60
A5J2-2	10	20
A5J2-11	11	95
A5J2-21	12	47
A5J2-10	13	98
A5J2-7	14	91
A5J2-6	15	85
A5J2-20	16	35
A5J2-16	17	34
A2J3-1	18	40
A2J3-10	19	70
A5J2-13	20	53
A5J2-12	21	61
A5J2-4	22	72
A5J2-3	23	84
	24	

INSERT TO BACK CAB. PLUG

AI INSERT

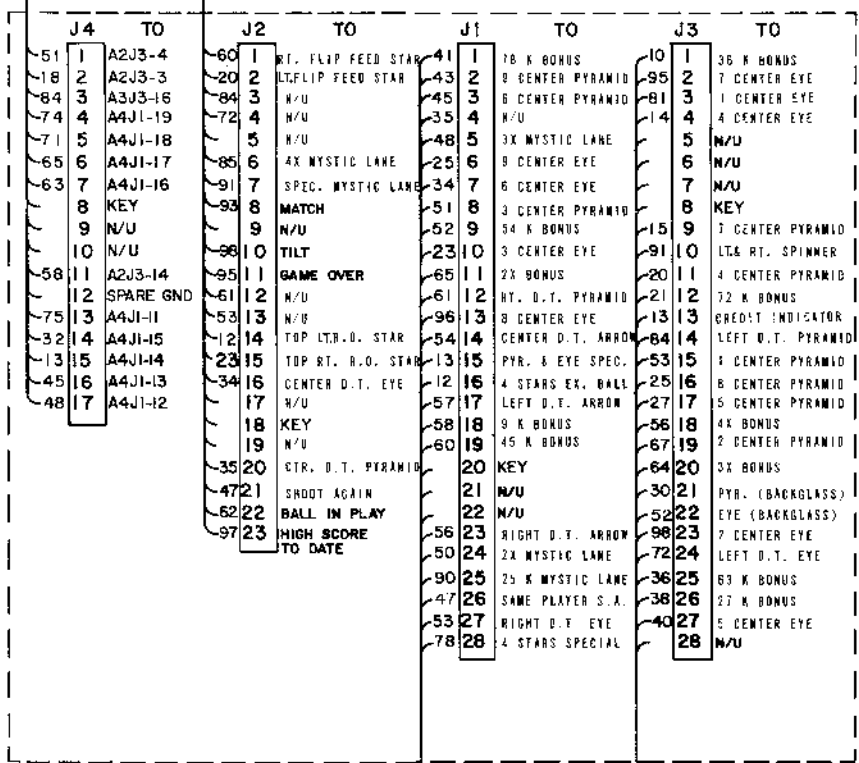


A4J1-21 A4J1-22 A4J1-23 A4J1-24

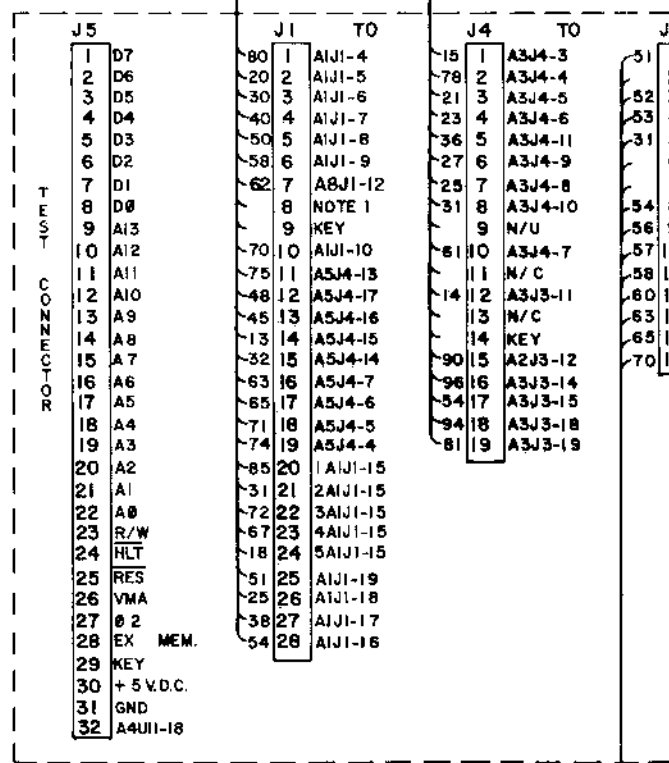
AIJ2 SEE TABLE A

SEE TABLE "B" TO PLUG

LAMP DRIVER A5



MPU A4



TO CABINET

TO PLAYFIELD

NOTES

1. THESE PINS ARE RESERVED FOR FUTURE USE.
2. WIRE COLORS ARE SHOWN FOR ALL CONNECTOR PINS, SOME WIRES MAY NOT BE USED IN ALL GAMES.
3. \* INDICATES AID TEST POINT.

A5J3-21	4	30
A5J3-22	7	52

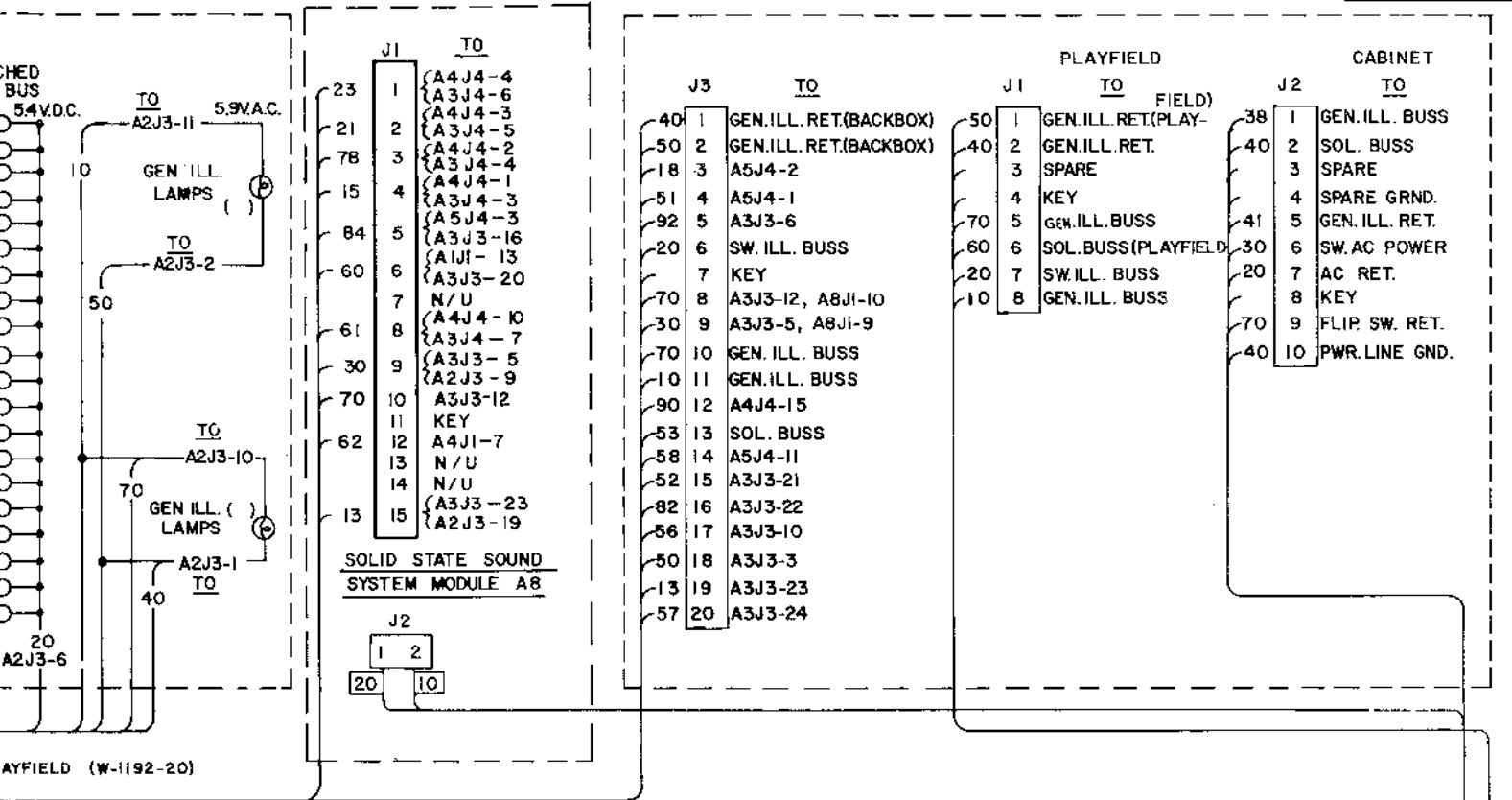
TABLE "B"		
FROM	TO	WIRE
A5J2-14	1	12
A5J2-2	2	20
A5J2-15	3	23
A5J2-16	5	34
A5J2-20	6	35
A5J2-1	8	60
A5J2-6	9	85
A5J2-7	10	91

PANEL TO BACK CAB. PLUG

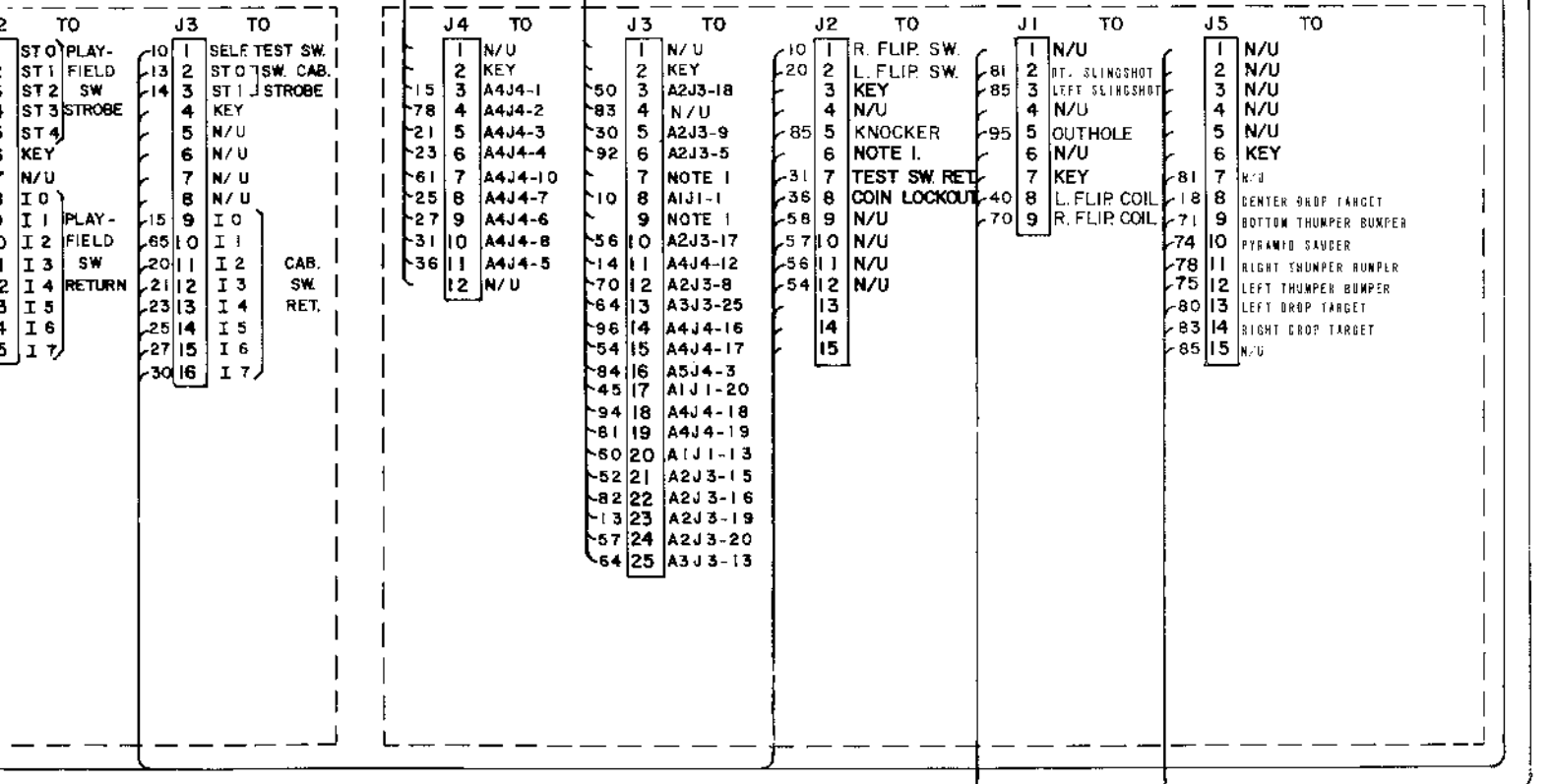


A2 TRANSFORMER

W-1187-20 c



VOLTAGE REGULATOR / SOLENOID DRIVER A3



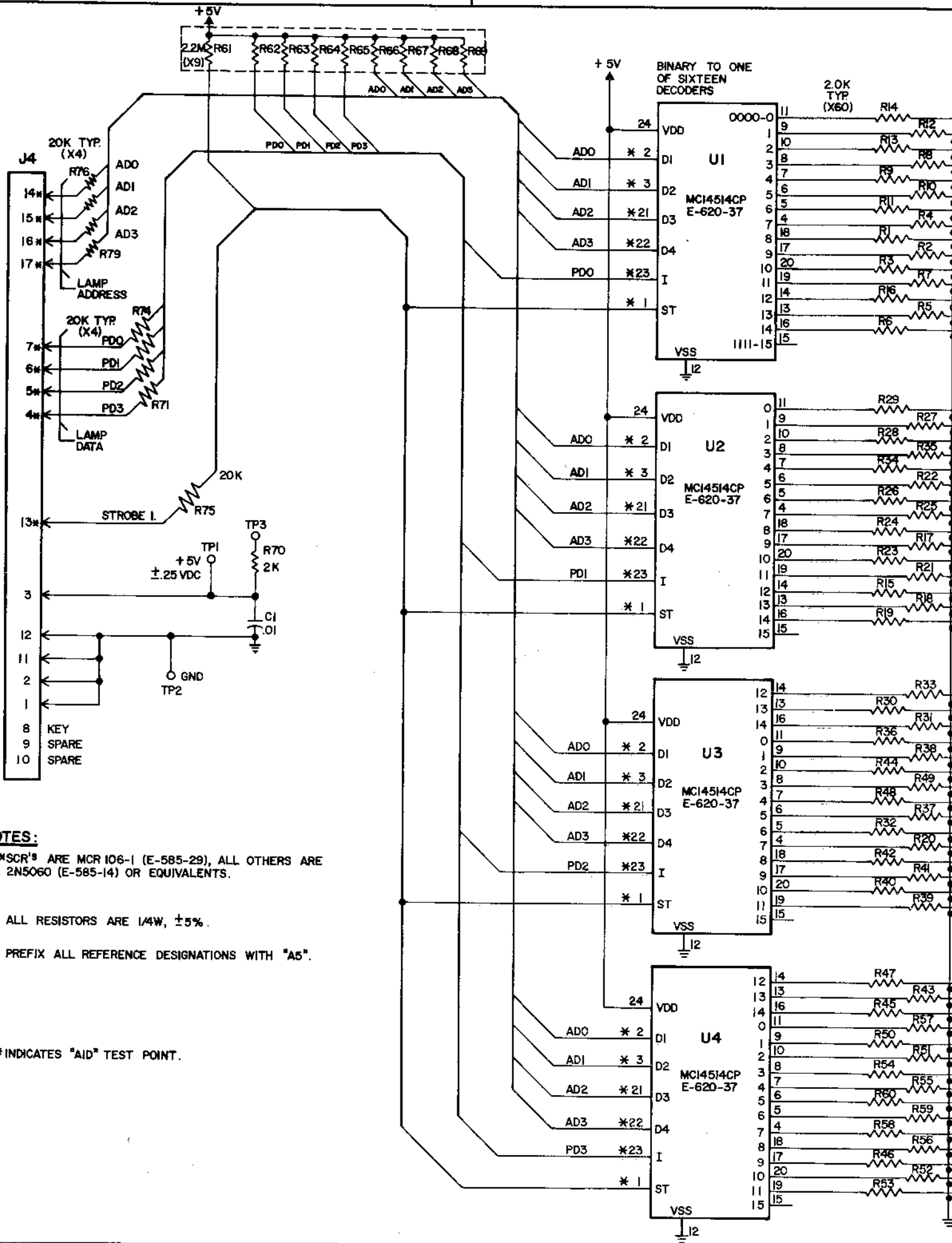
**WIRE COLOR CODE**

1-RED	6-BROWN
2-BLUE	7-ORANGE
3-YELLOW	8-BLACK
4-GREEN	9-GRAY
5-WHITE	0-NO TRACE

ALL DESIGN, OPERATIVE AND PROCESS DATA PERTAINING TO THE ARTICLE SHOWN ON THIS SHEET IS THE PROPERTY OF BALLY MANUFACTURING CORP., CHICAGO, ILL. THIS INFORMATION IS DISCLOSED IN CONFIDENCE AND IS NOT TO BE COPIED, REPRODUCED, REVISED OR IN ANY MANNER APPLIED IN PART OR IN WHOLE WITHOUT THE EXPRESS CONSENT OF THE OWNERS. THE PRINT IS LOANED AND MUST NOT BE USED IN ANY MANNER DETRIMENTAL TO THE INTEREST OF THE OWNERS AND MUST BE RETURNED ON DEMAND.

DR. BY	DATE	Bally MANUFACTURING CORP. 2640 BELMONT AVENUE CHICAGO, ILLINOIS										
CK. BY	DATE	*1192										
AP'D BY	DATE	PRINT	CONTROL	1204	1205	1206	1207	1208	1209	1210	TOTAL	SCALE
AP'D BY	DATE	PLUG CONNECTORS										
FINISH	NAME	ASSEM. NO. USED OR N										
HARDENING	MATERIAL	MYSTIC										
LET	CHANGE	DATE	BY	CK.	PART NO. W-1187-20							

REMOVE ALL BURRS  
TOLERANCES ON DIMENSIONS UNLESS OTHERWISE SPECIFIED  
FRACTIONS - 1/64  
DECIMALS - .005  
ANGLES - °  
DO NOT SCALE DRAWING



**NOTES:**

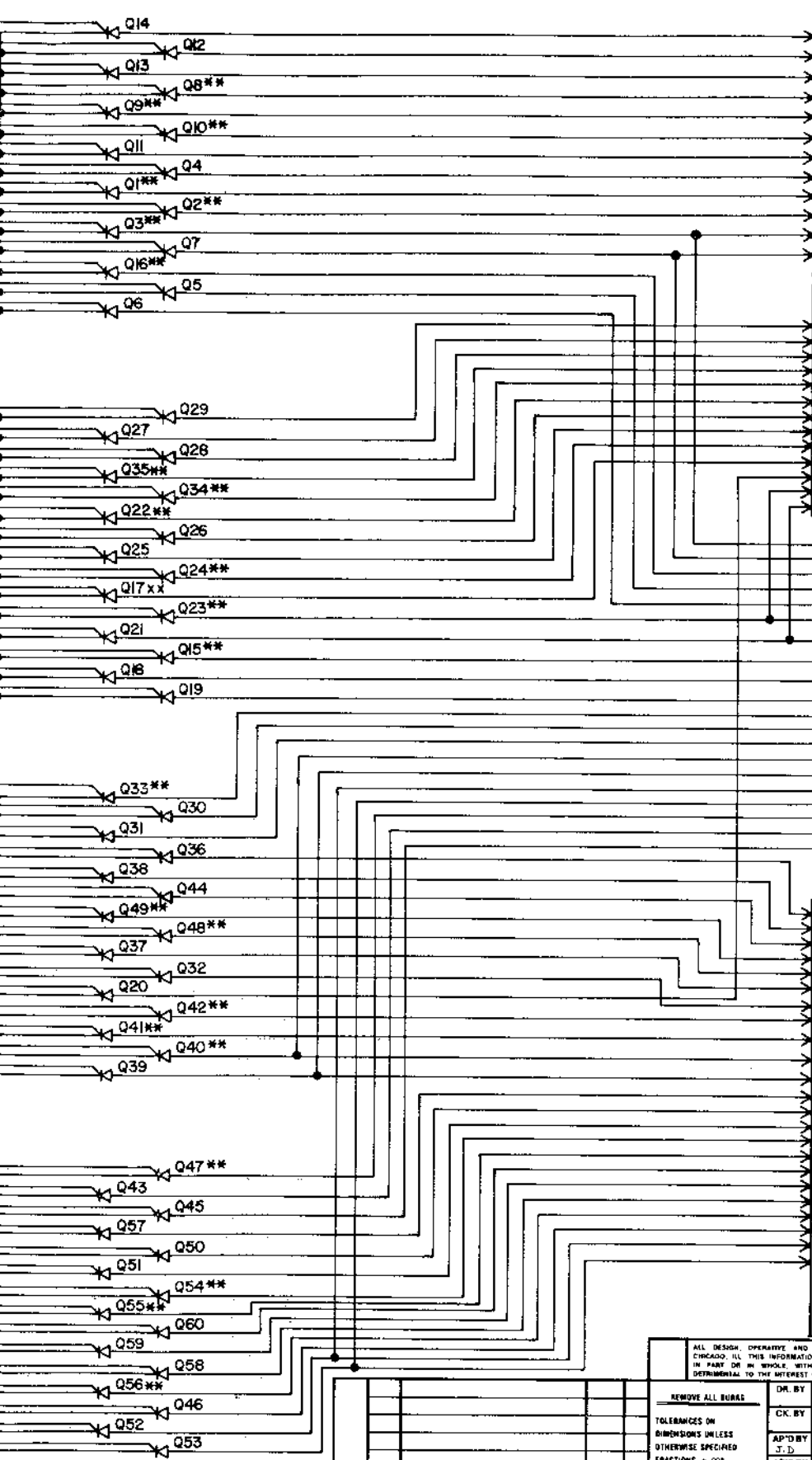
1. \*\*SCR'S ARE MCR 106-1 (E-585-29), ALL OTHERS ARE 2N5060 (E-585-14) OR EQUIVALENTS.

2. ALL RESISTORS ARE 1/4W, ±5%.

3. PREFIX ALL REFERENCE DESIGNATIONS WITH "A5".

4. \*INDICATES "AID" TEST POINT.

SCR'S



**J1**

- 22 N/U
- 21 N/U
- 20 KEY
- 18 9K BONUS
- 19 45K BONUS
- 17 LEFT D.T. ARROW
- 23 RIGHT D.T. ARROW
- 14 CENTER D.T. ARROW
- 15 BONUS SPECIAL
- 16 4 STARS EXTRA BALL
- 28 4 STARS SPECIAL
- 24 2X MYSTICAL LANE
- 25 25X MYSTICAL LANE
- 26 SAME PLAYER S.A.
- 27 RIGHT D.T. EYE

TO PLAYFIELD

- 1 18K BONUS
- 9 54K BONUS
- 8 3 CENTER PYRAMID
- 3 6 CENTER PYRAMID
- 2 9 CENTER PYRAMID
- 10 3 CENTER EYE
- 7 6 CENTER EYE
- 6 9 CENTER EYE
- 5 3X MYSTICAL LANE
- 13 2X BONUS
- 4 8 CENTER EYE
- 12 N/U
- RIGHT D.T. PYRAMID

**J2**

- 21 SHOOT AGAIN
- 13 N/U
- 22 BALL IN PLAY
- 16 CENTER D.T. EYE
- 14 TOP LEFT R.O. STAR
- 8 MARCH
- 12 N/U
- 23 HIGH SCORE TO DATE
- 20 CENTER D.T. PYRAMID
- 15 TOP RIGHT R.O. STAR
- 11 GAME OVER
- 6 4X MYSTICAL LANE
- 2 LEFT FLIP FEED STAR
- 9 N/U
- 4 N/U
- 5 N/U
- 3 N/U
- 10 TILT
- 7 SPC'L MYSTICAL LANE
- 1 RIGHT FLIP FEED STAR
- 17 N/U
- 18 KEY
- 19 N/U

TO BACK BOX

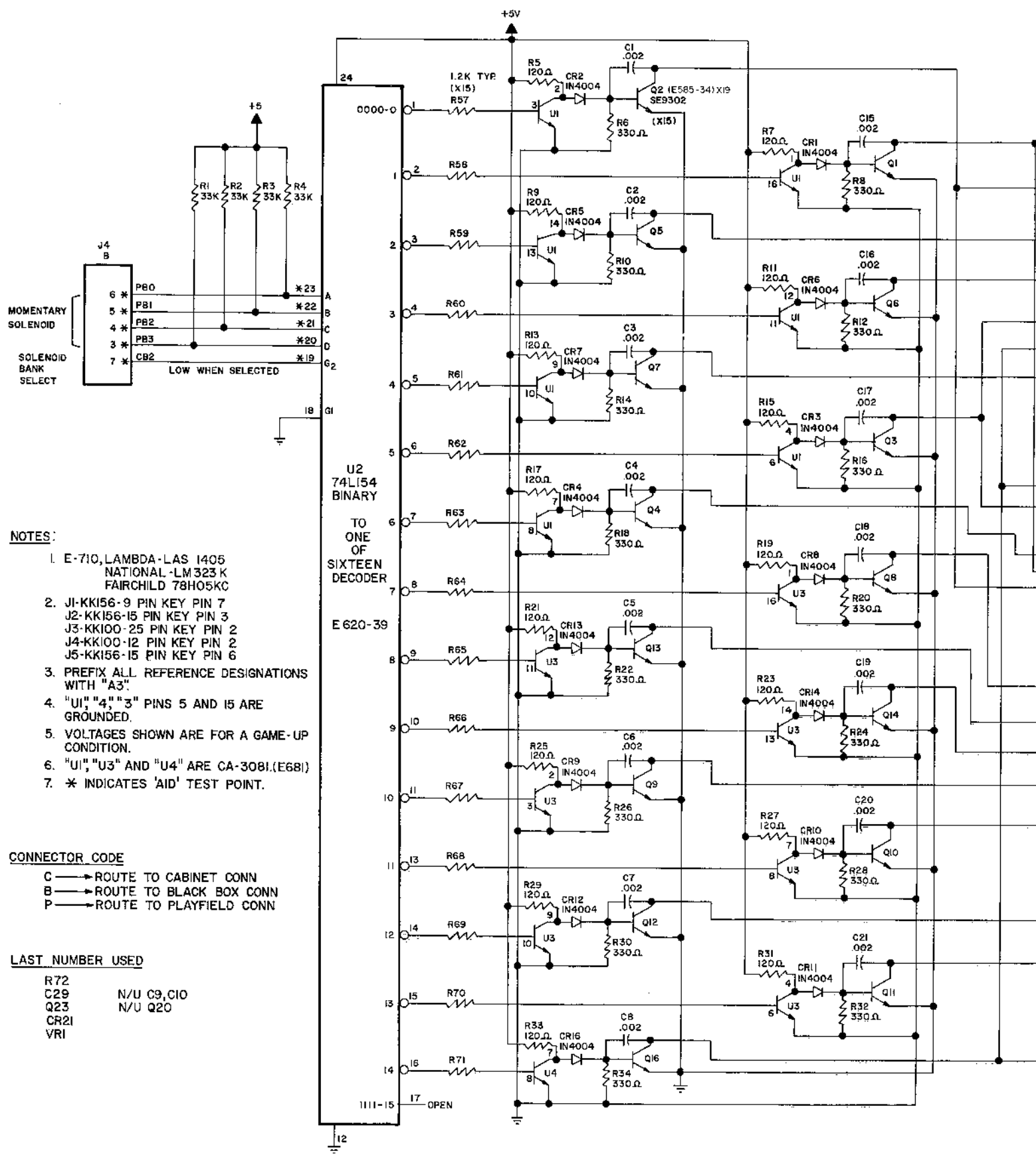
**J3**

- 26 27K BONUS
- 25 63K BONUS
- 19 2 CENTER PYRAMID
- 17 5 CENTER PYRAMID
- 16 8 CENTER PYRAMID
- 23 2 CENTER EYE
- 27 5 CENTER EYE
- 21 PYRAMID (BACKGLASS)
- 20 3X BONUS
- 22 EYE (BACKGLASS)
- 24 LEFT D.T. EYE
- 1 36K BONUS
- 12 72K BONUS
- 15 1 CENTER PYRAMID
- 11 4 CENTER PYRAMID
- 9 7 CENTER PYRAMID
- 3 1 CENTER EYE
- 4 4 CENTER EYE
- 2 7 CENTER EYE
- 10 LEFT & RIGHT SPINNER
- 18 4X BONUS
- 13 CREDIT INDICATOR
- 14 LEFT D.T. PYRAMID
- 5 N/U
- 6 N/U
- 7 N/U
- 8 KEY
- 28 N/U

TO PLAYFIELD

ALL DESIGN, OPERATIVE AND PROCESS DATA PERTAINING TO THE ARTICLE SHOWN ON THIS SHEET IS THE PROPERTY OF BALLY AND CORP. CHICAGO, ILL. THIS INFORMATION IS DISCLOSED IN CONFIDENCE AND IS NOT TO BE COPIED, REPRODUCED, REVEALED TO OR APPROPRIATED BY OTHERS, IN PART OR IN WHOLE, WITHOUT THE EXPRESS CONSENT OF THE OWNER. THE PRINT IS LOANED AND MUST NOT BE USED IN ANY MANNER DETRIMENTAL TO THE INTEREST OF THE OWNER, AND MUST BE RETURNED ON DEMAND.

REMOVE ALL BURR				DR. BY	DATE	<b>Bally</b> MANUFACTURING CORP. 1192 2640 BELMONT AVENUE CHICAGO, ILLINOIS				
TOLERANCES ON DIMENSIONS UNLESS OTHERWISE SPECIFIED				CK. BY	DATE					
FRACTIONS ± .008				AP'D BY	DATE	PRINT	DIE SIZE	C.C.	FT. PER M.	LBS. PER M.
DECIMALS ± .003				J.D.	3-7-80	CONTROL				
EXCEPT HOLE DIA. S ANGLES ± 1/2°				AP'D BY	DATE	NAME				
DO NOT SCALE DRAWING				FINISH		A5 LAMP DRIVER SCHEMATIC				
				HARDENING		MATERIAL				
						MYSTIC				
						CODE				
NO.	LET.	CHANGE	DATE	BY	ASSEM. NO. USED					SCALE
					PART NO.					
					W-1182-24c					



**NOTES:**

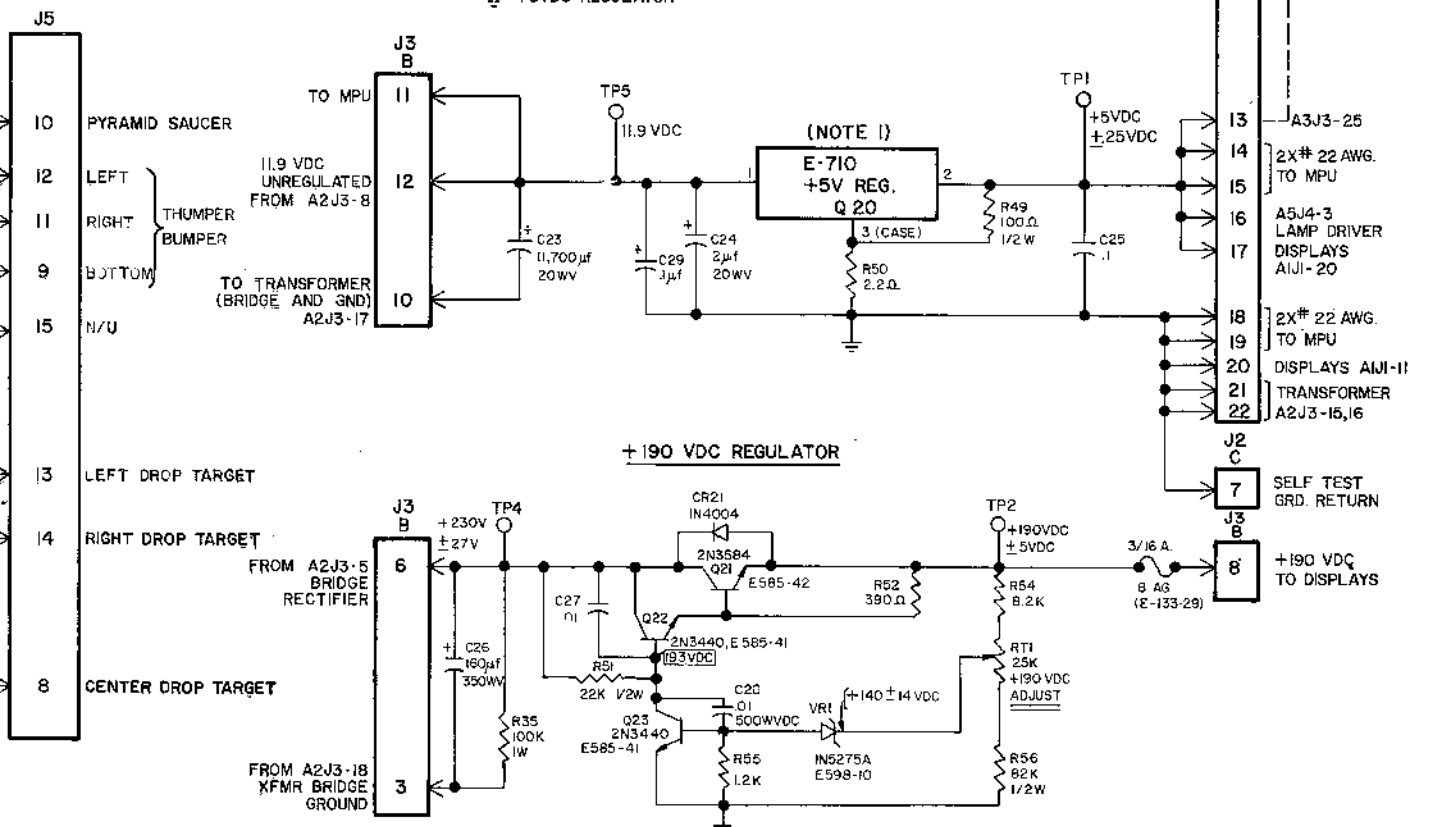
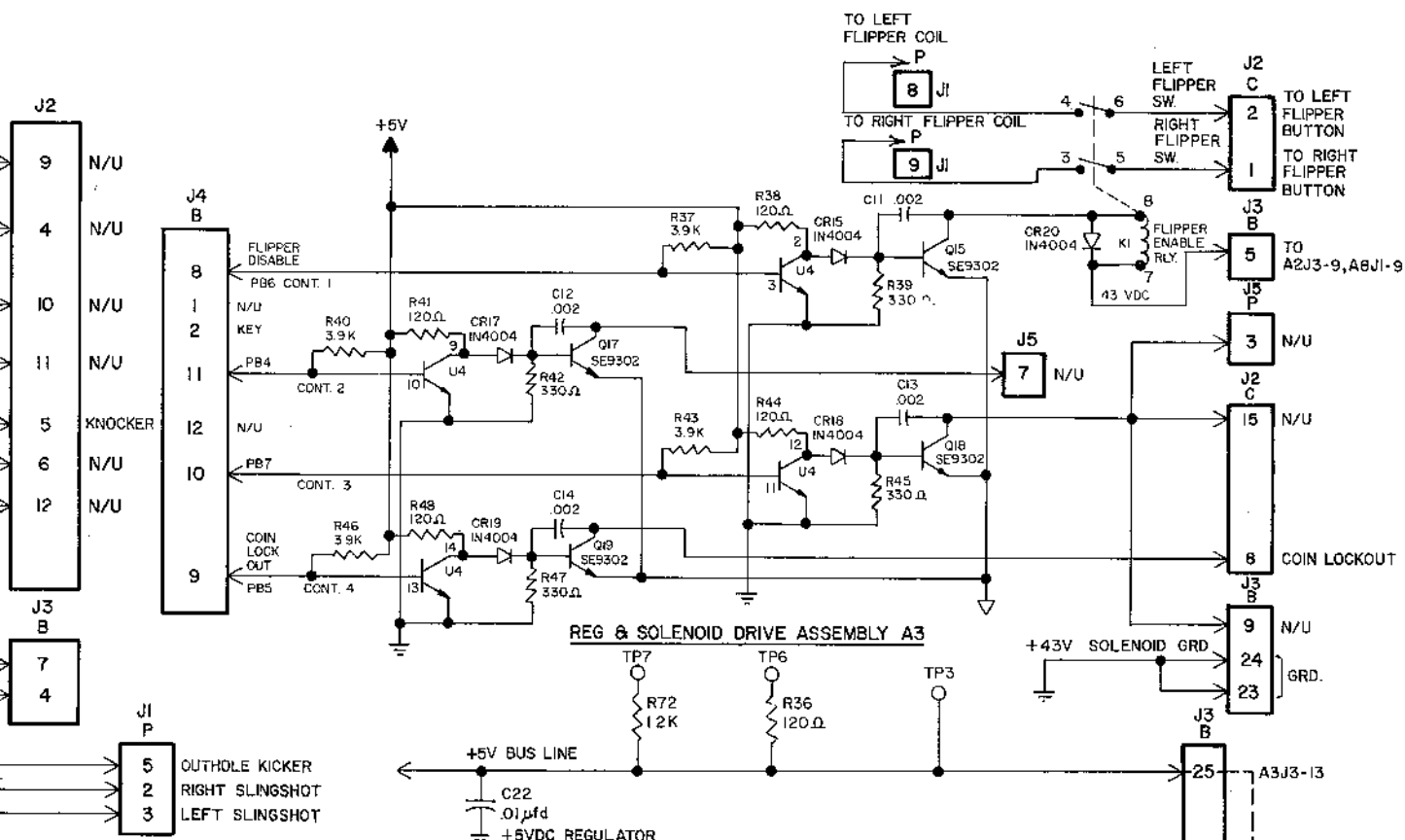
1. E-710, LAMBDA-LAS 1405  
NATIONAL-LM323K  
FAIRCHILD 78H05KC
2. J1-KK156-9 PIN KEY PIN 7  
J2-KK156-15 PIN KEY PIN 3  
J3-KK100-25 PIN KEY PIN 2  
J4-KK100-12 PIN KEY PIN 2  
J5-KK156-15 PIN KEY PIN 6
3. PREFIX ALL REFERENCE DESIGNATIONS WITH "A3".
4. "U1", "4", "3" PINS 5 AND 15 ARE GROUNDED.
5. VOLTAGES SHOWN ARE FOR A GAME-UP CONDITION.
6. "U1", "U3" AND "U4" ARE CA-3081.(E681)
7. \* INDICATES 'AID' TEST POINT.

**CONNECTOR CODE**

- C → ROUTE TO CABINET CONN
- B → ROUTE TO BLACK BOX CONN
- P → ROUTE TO PLAYFIELD CONN

**LAST NUMBER USED**

- R72
- C29 N/U C9, C10
- Q23 N/U Q20
- CR21
- VRI



ALL DESIGN, OPERATIVE AND PROCESS DATA PERTAINING TO THE ARTICLE SHOWN ON THIS SHEET IS THE PROPERTY OF BALLY MFG. CORP., CHICAGO, ILL. THIS INFORMATION IS DISCLOSED IN CONFIDENCE AND IS NOT TO BE COPIED, REPRODUCED, REVEALED OR IN ANY MANNER DETRIMENTAL TO THE INTEREST OF THE OWNERS AND MUST BE RETURNED ON DEMAND.

REMOVE ALL BURRS				DR. BY	DATE	<b>Bally MANUFACTURING CORP.</b> 2640 BELMONT AVENUE CHICAGO, ILLINOIS #192				
TOLERANCES ON DIMENSIONS UNLESS OTHERWISE SPECIFIED: FRACTIONS = 0.08, DECIMALS = .01, EXCEPT HOLE DIA'S ANGLES = 1:2				CK. BY	DATE				PRINT CONTROL	DIE SIZE
DO NOT SCALE DRAWING				AP'D BY	DATE	NAME		ASSEM. NO. USED		SCALE
				FINISH:	DATE	SOLENOID DRIVER VOLTAGE REGULATOR SCHEMATIC				PART NO.
				HARDENING:	DATE	MATERIAL				W-1183-24c
NO.	LET.	CHANGE	DATE	BY	CODE		MYSTIC			

PLAYFIELD MYLAR PROTECTORS

FO-589

ENCLOSED ARE TWO MYLAR PROTECTORS WHICH MAY BE ATTACHED TO THE PLAYFIELD IN FRONT OF THE SLINGSHOT KICKERS AS SHOWN IN SKETCH. THESE WILL HELP TO PRESERVE PAINT FINISH IN FRONT OF SLINGSHOTS.

TO APPLY, SIMPLY REMOVE PAPER BACKING AND PLACE MYLAR WITH FLAT EDGE TOUCHING THE TWO SLINGSHOT POSTS.

