

JOKER

POKER

SOLID STATE



INSTRUCTION
MANUAL

D. Gottlieb & Co.



A Columbia Pictures Industries Company
165 W. Lake Street • Northlake, Illinois 60164
Phone: 312/562-7400 Telex: 72-8463

PRICE
\$3.00

JOKER POKER

USES PROM MARKED

“C”

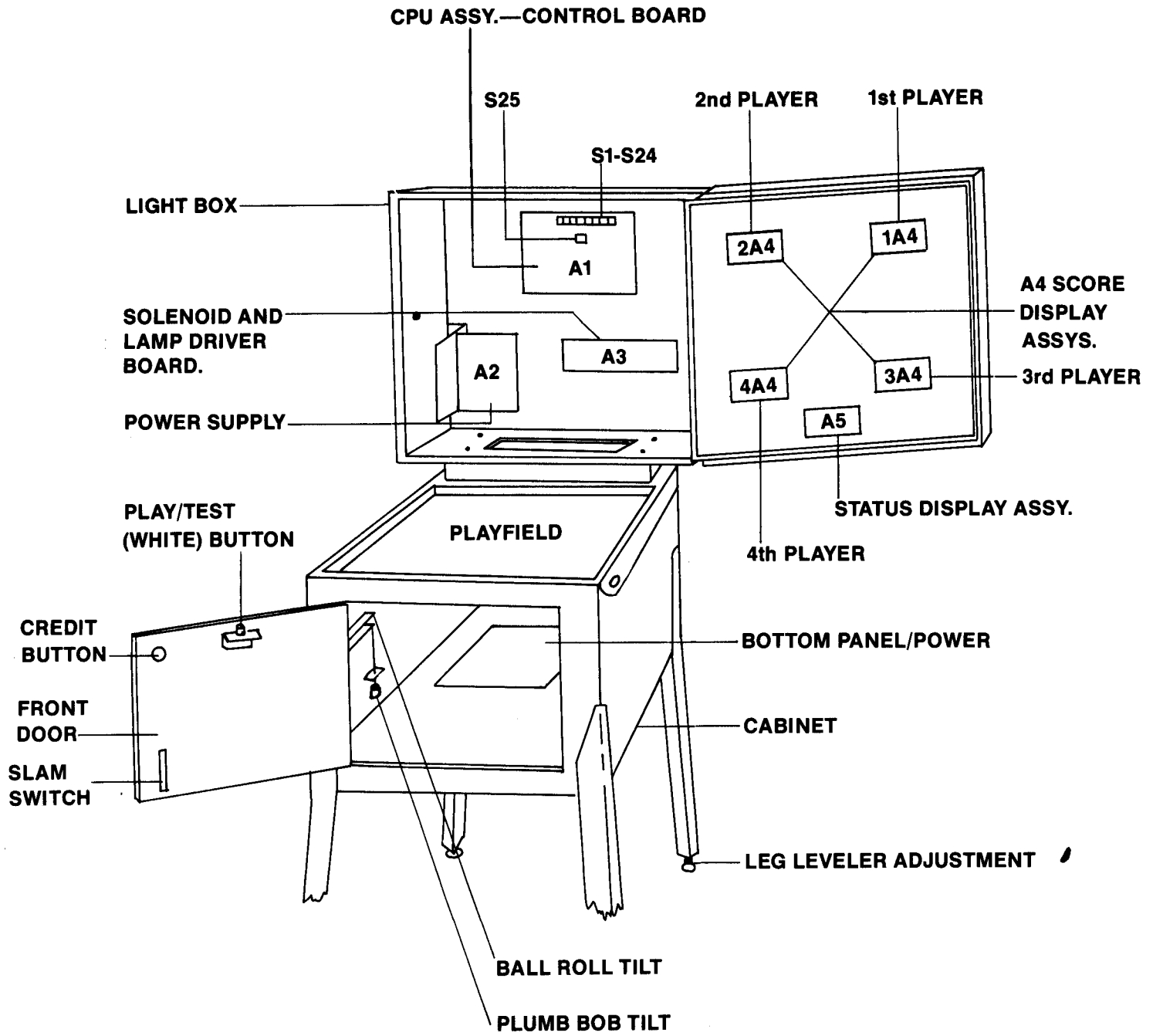
INSERT PROM WITH
INDENT NOTCH UP

JOKER POKER (SOLID STATE) GENERAL GAME OPERATING INSTRUCTIONS

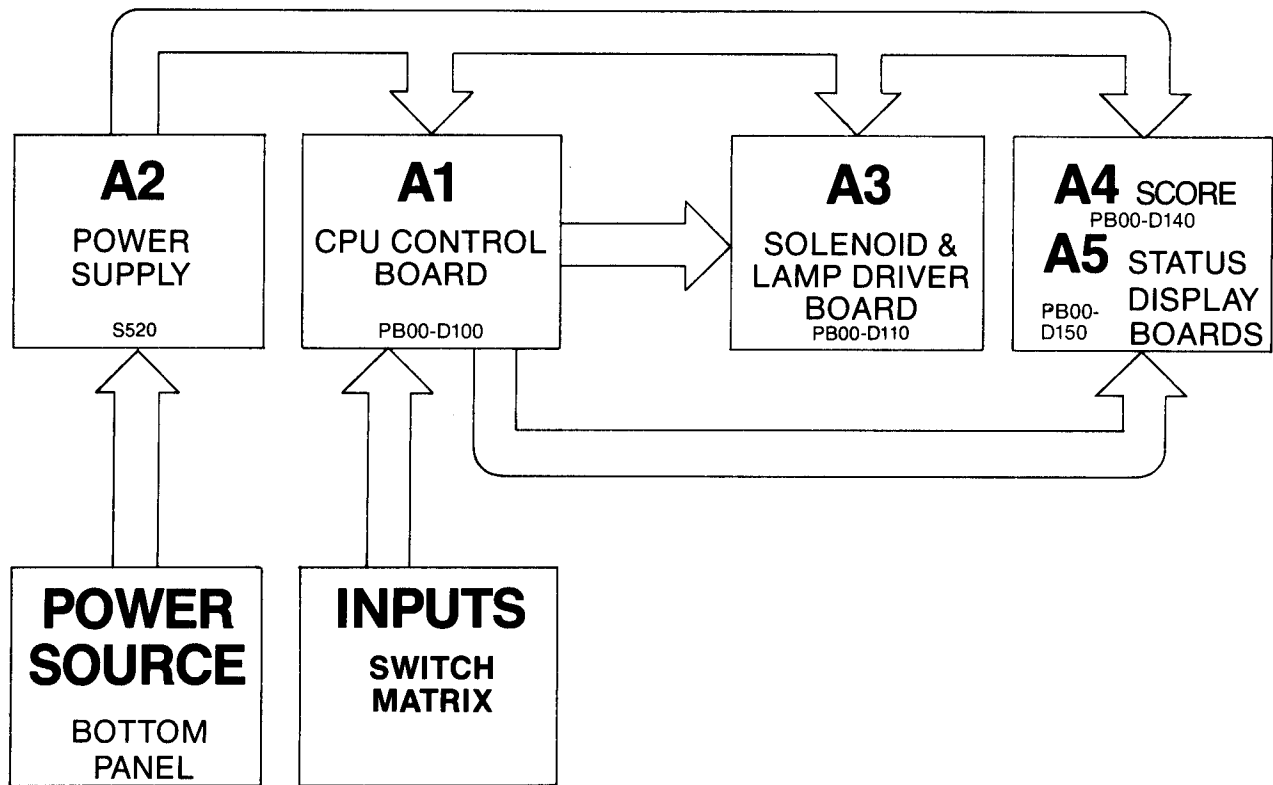
TABLE OF CONTENTS

I.	Installation	1
II.	Game Operation	1
III.	Game Features	3
IV.	Bookkeeping Functions and Self-Testing	4
V.	Game Adjustments	7
	A. Playfield Adjustments	7
	B. Lightbox Adjustments	
	1. Coin and credit	7
	2. Maximum credits	9
	3. Balls per game	9
	4. Match feature	9
	5. Credits displayed	9
	6. Chimes when scoring	9
	7. Tilt reset	9
	8. Score feature	10
	9. Chimes when resetting game	10
	10. High game to date	10
VI.	Routine Maintenance	11
VII.	Trouble-shooting	11
VIII.	Service and Parts	15
IX.	Lamp Assignment List	16
X.	Wire Color Assignments	17
XI.	Cable Plug Wire List	19
XII.	Playboard Information	35
XIII.	Switch Matrix and Lamp Location	36
XIV.	Parts List	37
XV.	Schematics	45

COMPONENT LOCATION DIAGRAM



BLOCK DIAGRAM



I. INSTALLATION

To assemble the game, first bolt the legs to the cabinet. Place the lightbox atop the pedestal and insert the four #10-32 truss-head screws into the back of the pedestal. Open the lightbox and secure it to the cabinet with the long lightbox bolts. Connect all cables and gently but fully insert the connectors onto the printed circuit boards. Be sure to touch only the edges of the boards.

NOTE: TOUCHING THE STATIC-SENSITIVE MOS COMPONENTS ON THE CPU CONTROL BOARD CAN DAMAGE THEM, MAKING THE GAME INOPERATIVE AND INVALIDATING THE WARRANTY.

CAUTION: IF GAME WAS SUBJECTED TO EXTREME COLD, ALLOW GAME TO WARM UP TO ROOM TEMPERATURE BEFORE PLUGGING IN LINE CORD.

Inspecting the following items before plugging in the line cord may prevent future trouble:

1. Check that cables are clear of moving parts.
2. Look for any disconnected wires.
3. Check switches for loose solder or other foreign matter.
4. Check the soldering generally for cold joints.
5. Be certain all fuses are firmly seated.
6. Check the transformers for foreign matter across the terminals.
7. Be sure that the transformer wiring corresponds to the supply voltage.
8. Check the setting of the tilt switch on the underside of the playfield. One blade of this switch is free-floating with a weight on the end.

After levelling the machine, adjust the plumb-bob tilt (on left side of cabinet near front door) to the sensitivity desired.

II. GAME OPERATION

With the line cord unplugged drop a coin into one of the chutes. It should be rejected. Plug the line cord *only* into a properly-grounded 3-wire receptacle of the correct voltage. Turn on the game by pressing the main switch located on the cabinet bottom near the front right corner.

After a five-second delay all score displays will light and read zeros. The credit display will show the number of credits remaining and the ball in play display will show "70." If the credits fail to light, turn off the game and inspect the normally closed switch on the ball-roll tilt and on the front door. Turn on the game; if the problem remains, refer to Section VII. (Troubleshooting).

Five seconds after the score displays light, they will flash "High Game to Date" score for one second. This cycle continues until the game is started. All playfield lights controlled by the micro-processor will be off.

Insert one or more coins and note that the correct number of credits are added on the credit display according to the information on the coin entrance plate. Press the credit button to reset the game; the ball should now be at the shooter. The first player score reads "0" and flashes, indicating that that player is now scoring. The other player displays are blank and a "1" appears on the ball-in-play display.

Additional players are indicated by a "0" showing in each corresponding player display. Thus if there are three players, a "0" will show in the first three player displays. After the fourth player has been added (or when the credit display reads "0"), the credit button has no effect.

The game features are described in a later section. When the ball enters the outhole, the bonus is scored, the ball is kicked to the shooter, and the display of the player now scoring begins to flash and continues to flash until a score is made. All playfield features reset after each ball. When the "Shoot Again" light is lit, neither the player designation (the flashing display) nor the ball-in-play display changes when the ball enters the outhole. Only one extra ball per ball in play can be given.

The number of balls per game is adjustable. When the last ball enters the outhole, the "Game Over" and "Number to Match" lights come on. A random number appears in the ball-in-play display and if this number matches the last two digits in the player's score, a replay is added to the credit display. At this time a "High Game to Date" score is periodically flashed in all four player displays. When this score is achieved, three replays are given. This feature is adjustable.

Tilting the machine results in the loss of the ball in play or the entire game, depending upon the Tilt Reset adjustment. With this adjustment "on," the game comes on again when the ball enters the outhole, and play resumes. There is a normally-closed switch on the front door and one in the ball-roll tilt. If either of these switches opens from raising the front of the cabinet or pounding the front door, the entire game is ended. The "Game Over" light comes on and for three seconds the coin chute switches and replay button are inactive. This prevents accidental closing of these switches from residual vibration.

III. JOKER POKER (SOLID STATE)

GAME FEATURES (5 BALL)

Completing spotted sequence lights 5x bonus light. The 1st ball in play spots "10" bonus, 2nd ball in play spots "J" bonus, 3rd ball in play spots "Q" bonus, 4th ball in play spots "K" bonus and 5th ball in play spots "A" bonus.

Completing groups of drop targets lights corresponding bonus. Completing "10" and both "J" targets or completing any other group of targets, score 5000 points and resets targets.

Drop targets score 500 points or 5000 points when corresponding bonus is lit.

Completing "A" group of drop targets or "A"- "B"- "C" rollovers lights "extra ball" target.

Completing "A" and "K" groups of targets lights "special" rollover. Completing "K" group and "A"- "B"- "C" rollovers also lights "special" rollover.

Pop bumpers score 100 points.

FEATURE CHANGES FOR 3 BALL OPERATION

2nd ball in play spots "Q" bonus and 3rd ball in play spots "A" bonus.

Completing "A" group of targets or "A"- "B"- "C" rollovers lights "extra ball" and "special" features.

Pop bumpers score 1000 points.

IV. BOOKKEEPING FUNCTIONS AND SELF-TESTING

The circuitry in this game helps the operator perform many bookkeeping functions. The information is shown one step at a time on the first player score display while the step number is shown in the credit display. Pressing the button on the inside of the front door (the play/test button) begins the bookkeeping and advances it to the next step each time the button is pressed. If the button is not pressed within sixty seconds of each step, the machine returns to normal playing condition.

The data in any bookkeeping step may be reset to zero while it is displayed by pressing Switch Button #25 on A1, the CPU control board in the lightbox. Then the play/test button must be pressed to enter the zero.

STEP (Credit Display)	INFORMATION SHOWN (First Player Display)
0	Total coins through #1 coin chute (left chute).
1	Total coins through #2 coin chute.*
2	Total plays.
3	Total replays given.
4	Number of times anti-cheat switches on front door and on ball-roll tilt have opened.
5	Total extra balls.
6	Number of tilts.
7	First high score replay.
8	Second high score replay.
9	Third high score replay.
10	Current "High Game to Date" score. <i>over 2nd Player</i>
11	Display test: All digits in first and third player displays step "0" through "9."**
12	Display test: All digits in second and fourth player displays step "0" through "9."**
13	Self-test: All CPU-controlled lights come on for five seconds. Each solenoid is energized one at a time. All closed switches noted by a code number in ball-in-play display.

*If chutes are adjusted to be the same, coins deposited in either chute add only to the #1 chute total.

**If button is not pressed within two 0-9 cycles, machine returns to normal playing condition.

TO CHANGE REPLAY SCORES OR "HIGH GAME TO DATE" SCORE:

- 1) Press the play/test button on the front door at one-second intervals to advance to step 7 (first high score replay).
- 2) Reset the display by pressing Switch Button #25 on A1, the CPU control board.
- 3) Press the replay button. This causes the display to advance by 10,000's. Hold in the replay button until the desired replay score is shown.
- 4) The new score is entered by advancing to the next function by pressing the play/test button.

To eliminate entirely one or more replay scores, set step 7, 8, or 9 at zero (as in #2 above), then press the play/test button to enter the value.

The switches and solenoids are checked in Step 13 in the order given in the following lists. A faulty solenoid or a closed switch that should be open will not stop the test sequence; the code number of the component will be shown in the ball-in-play display. The machine returns to the normal playing condition at the end of the test. It will do so also if a tilt switch is closed, if an anti-cheat switch is opened, or if the power is interrupted.

SOLENOID NUMBER

SOLENOID

1	Outhole
2	Knocker
3	Tens Chime
4	Hundreds Chime
5	Thousands Chime
6	"10-J" Drop Target Bank Reset
7	"Q" Target Bank Reset
8	"A" Drop Target Bank Reset

JOKER POKER (SOLID STATE)

SWITCH NUMBER	SWITCH CODE LIST	SWITCH
00	Play/test button (on front door)
01	#1 Coin Chute (on front door)
02	#2 Coin Chute (on front door)
03	Replay Button (on front door)
04	Tilt Switches
10	Pop Bumpers (2)
11	"A" Rollover (2)
12	"B" Rollover (3)
13	"C" Rollover (2)
14	Not Used
20	Extra Ball Target
21	"10" Drop Target
22	"J" Drop Target
23	"J" Drop Target
24	Not Used
30	Special Rollover
31	"Q" Drop Target
32	"Q" Drop Target
33	"Q" Drop Target
34	Not Used
40	10 Point Contacts (11)
41	"K" Drop Target
42	"K" Drop Target
43	"K" Drop Target
44	"K" Drop Target
50	"A" Drop Target
51	"A" Drop Target
52	"Joker" Drop Target
53	"A" Drop Target
54	"A" Drop Target
60	Not Used
61	Not Used
62	Not Used
63	Not Used
64	Not Used
70	Not Used
71	Not Used
72	Not Used
73	Not Used
74	Not Used

V. GAME ADJUSTMENTS

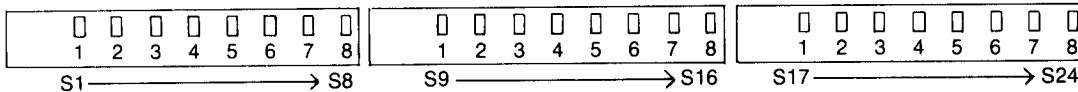
A. Playfield Adjustments

Posts controlling access to the left and right outlanes can be adjusted. See page 35. The "conservative" (easier entry) position decreases playing time and scoring while the "liberal" position has the opposite effect.

The game is shipped with adjustable posts in the position found to be suitable for the greatest number of players. Therefore the posts should not be changed unless the need is clearly evident.

B. Lightbox Adjustments

There are 24 switches on the CPU control board (A1). These allow many features of the game to be adjusted to fit the location. The switches are contained in three "packages" of eight switches each, as shown in the following illustration.



**WARNING: TURN OFF POWER BEFORE MAKING ADJUSTMENTS!
BE CAREFUL TO TOUCH ONLY THE SWITCHES. DO NOT
TOUCH THE STATIC-SENSITIVE MOS COMPONENTS.**

1. Coin and Credit

The number of plays (credits) and the number of coins are adjustable. Switches #1 through #4 adjust the first coin chute (#1 chute, on the left). Switches #5 through #8 adjust #2 coin chute.

The two chutes can be adjusted to be the same. When this is done, both chutes are adjusted using switches #1 through #4.

COIN CHUTES	SWITCH 19
Separate.....	OFF
Same.....	ON

COIN CHUTE ADJUSTMENTS

#1 Coin Chute	S1	S2	S3	S4
#2 Coin Chute	S5	S6	S7	S8

Coins/Credits

	1/1	OFF	OFF	OFF	OFF
	1/2	OFF	OFF	OFF	ON
	1/3	OFF	OFF	ON	OFF
	1/4	OFF	OFF	ON	ON
	1/5	OFF	ON	OFF	OFF
	1/6	OFF	ON	OFF	ON
	1/7	OFF	ON	ON	OFF
	1/8	OFF	ON	ON	ON
	1/9	ON	OFF	OFF	OFF
Note 1	2/1	ON	OFF	OFF	ON
	2/2	ON	OFF	ON	OFF
	2/3	ON	OFF	ON	ON
	2/4	ON	ON	OFF	OFF
	2/5	ON	ON	OFF	ON
Note 2	2/3	ON	ON	ON	OFF
Note 3	3/1	ON	ON	ON	ON

Note 1: No credits until second coin is deposited.

Note 2: First coin gives one credit. Second coin gives two credits provided that no score is made between first and second coin. If scoring occurred, second coin becomes a "first" coin, giving one credit.

Note 3: No credit until third coin is deposited.

2. Maximum Credits

This adjustment determines the maximum number of games which may be accumulated on the credit display, whether by adding replays or by inserting coins.

MAXIMUM CREDITS	SWITCHES	
	17	18
5	OFF	OFF
8	OFF	ON
10	ON	OFF
15	ON	ON

3.	BALLS PER GAME	SWITCH 9
	3	ON
	5	OFF

4.	MATCH FEATURE	SWITCH 10
	IN	ON
	OUT	OFF

5.	CREDITS DISPLAYED	SWITCH 13
	YES	ON
	NO	OFF

6.	CHIMES WHEN SCORING	SWITCH 20
	YES	ON
	NO	OFF

7.	TILT	SWITCH 12
	BALL IN PLAY ONLY	ON
	GAME OVER	OFF

8. Score Feature

This adjustment determines game mode. (Replay or Extra Ball).

SWITCH 11

REPLAY..... ON
EXTRA BALL.....OFF

9. Chimes When Resetting Game (Tune)

The game may be adjusted to play a tune when the credit button is pressed and a different tune when a coin is dropped.

CREDIT BUTTON TUNE SWITCH 14

ON ON
OFFOFF

COIN SWITCH TUNE SWITCH 23

ON ON
OFF.....OFF

10. High Game to Date Feature

When the High Game to Date score is reached, three replays are given and that score becomes the new High Game to Date. That score is flashed periodically on all four player displays at the end of the game.

HIGH GAME TO DATE SWITCH 21

IN ON
OUT.....OFF

SWITCH 22

11. HIGH GAME TO DATE FEATURE GIVES 3 REPLAYS..... ON
HIGH GAME TO DATE FEATURE GIVES NO REPLAYS..... OFF

VI. ROUTINE MAINTENANCE

After a successful completion of the self-test, check the playfield for dirt or particles. The playfield should be cleaned frequently with a non-abrasive wax-based cleaner. Any of the polishes made specifically for use on pinball machine playfields may be used. Make certain that kicker fulcrums and all pivot points receive a drop of fine oil. The pop bumper cup switches, the drop target shanks and the discs of Vari-targets should be lightly coated with White Lube, a special Gottlieb lubricant available at distributors.

When the playboard is clean and all components are working properly, start the game and try each feature. Make certain each rollover operates, that each pop bumper scores and kicks correctly and that in general everything works as it should. If an intermittent or dirty switch is found, clean the points by pressing them together with a piece of paper or a business card between them, moving the card back and forth.

WARNING: DO NOT FILE, BURNISH OR IN ANY WAY ABRABE GOLD-PLATED SWITCH CONTACTS.

The only switches whose points may be burnished are the pop bumper cup switches, the rubber-actuated switches on kicking rubber units, and the flipper button switches.

VII. TROUBLE-SHOOTING

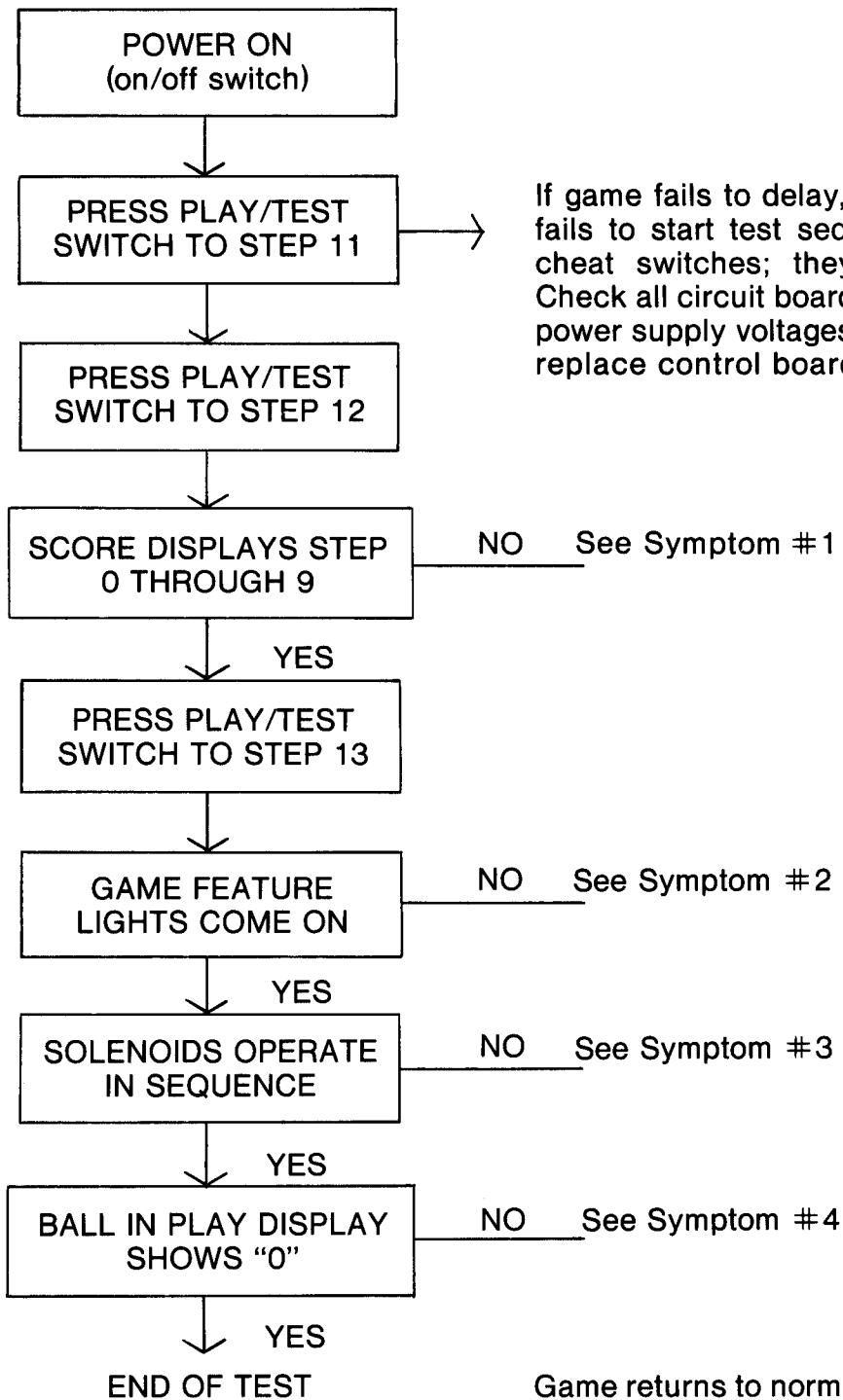
Trouble-shooting of the mechanical devices in the game can be held to a minimum by diligent maintenance. Trouble-shooting of the solid-state components is very seldom required and in fact on location is limited to inspection and replacement of entire boards. Detailed diagnosis and repair of boards can be made at a service center or properly equipped shop.

Before replacing the CPU board or driver board, measure the voltages on the power supply board (A2) after first disconnecting the two connectors A2J2 and A2J3. If any fault is found here, replace this board and recheck power supply voltages before reconnecting A2J2 and A2J3. Before replacing anything, check carefully all connectors, crimp connectors and wires. Make certain all grounds are intact.

After any repairs, all connectors *must* be re-connected before the game is turned on.

WARNING! TURN OFF POWER BEFORE REMOVING OR REPLACING ANY OF THE BOARDS.

GAME TEST AND TROUBLE SHOOTING GUIDE



If game fails to delay, or play/test switch fails to start test sequence, check anti-cheat switches; they must be closed. Check all circuit board connectors, check power supply voltages. If trouble remains, replace control board (A1).

Game returns to normal play mode, repeat entire test if repairs were performed.

SYMPTOM #1 DISPLAYS

Note: Before replacing a display, check the connector and the individual crimped wires.

1A) Symptom: One or several display segments or digits always off, always on, or mottled. May appear on one or more players but *not all*.

- Action:
1. Open front door and press play/test button until step 11 or 12 is reached. Note any defective display boards.
 2. Turn power off.
 3. Replace defective score display board (see parts list). Turn power on and repeat 1. If trouble persists, go to 1B2.

1B) Symptom: *All* player displays improper; segments or digits always on or always off.

- Action:
1. Repeat 1A-1.
 2. Check power supply voltages.
 3. Turn power off.
 4. Replace CPU board A1. (see parts list)
 5. Turn power on and repeat 1.

SYMPTOM #2 FEATURE LIGHTS

2A) Symptom: Not all feature lights come on during play.

- Action:
1. Check the wiring and bulb, of lights not working.
 2. Check connectors and crimped wires on the driver board (A3).
 3. Open the front door and press play/test button until step 13 is reached. Feature lights come on.
 4. Turn power off.
 5. Replace driver board A3. (see parts list)
 6. Turn power on and repeat 3. If not correct, turn power off.
 7. Replace CPU board A1. (see parts list)
 8. Turn power on and repeat 3.

2B) Symptom: One or more feature lights always on.

- Action:
1. Perform 2A-2 through 2A-8.

SYMPTOM #3 SOLENOIDS

3A) Symptom: Controlled solenoid does not operate during play (may be one or more). NOTE: Flipper, kicking rubber and pop bumper solenoids are non-CPU controlled. They have nothing to do with boards A1 and A3.

- Action:
1. Open front door and press play/test button until step 13 is reached. Each solenoid operates once. (See solenoid list in Section III).
 2. Turn power off.
 3. Raise the playfield and check the solenoid not operating. Replace if damaged. Check for free movement of the device operated by the solenoid. Check 24 VDC fuse.
 4. Inspect connectors and crimped wires on driver board (A3).
 5. Replace driver board A3. (see parts list)
 6. Turn power on and repeat 3A-1. If solenoid does not operate, turn power off.
 7. Inspect connectors and crimped wires on CPU control board (A1). Repeat 3A-1.
 8. Turn power off and replace CPU control board A1. (see parts list)
 9. Turn power on and repeat 3A-1.

3B) Symptom: One or more controlled solenoids always energized.
NOTE: Solenoids other than flippers will overheat if kept energized continuously. Do not allow more than 20 seconds of operation. Follow this with several minutes with the power off.

- Action:
1. Turn power off.
 2. Check coil for shorted or open diode and/or shorted coil. Replace if defective, carefully noting diode polarity.
 3. Turn power on and test solenoid. If a problem still exists, turn game off. Refer to symptom 3A2.

SYMPTOM #4 GAME FEATURES

4A) Symptom: Game feature does not score.

- Action:
1. Open front door and press play/test button until step 13 is reached. Each switch is checked automatically and any closed switch is indicated in code in the ball-in-play display (see Section III and switch code list).
 2. Raise the playfield and locate the faulty switch indicated by the code. The switch should have an approximate 1/16" gap. Check for loose solder or other foreign matter across the points or terminals. Make sure that the device operating the switch operates freely. The code may represent several parallel switches; be sure to check all similar (such as yellow rollovers) switches.
 3. Repeat 4A1. If trouble persists, replace personality prom.
 4. If trouble still exists, replace control board. (A1)

SYMPTOM #5 GENERAL

5A) Symptom: A Fuse or fuses blow repeatedly.

- Action:
1. Inspect the circuits controlled by each fuse which blows for shorts, loose wires, etc.
 2. If either 5 amp fuse blows, check the bridge rectifiers located on the bottom board.

VIII. SERVICE AND PARTS

All solid-state components are listed in the parts catalog and are available at Gottlieb distributors. When making replacements of any components, always use Gottlieb parts to assure infrequent service calls. The parts catalog lists all current components and their prices, enabling the repairman to quickly and easily select the item he needs. Whenever parts are ordered, state the part number, the part name, the game for which it is intended and, if applicable, the color or design.

JOKER POKER (SOLID STATE)

Lamp Assignments

Latch	Position	Lamp Number	Function
L1	1	1	Game over relay
	2	2	Tilt relay
	3	3	High game to date
	4	4	Same player shoots again
L2	1	5	Not used
	2	6	Not used
	3	7	Not used
	4	8	Aces bonus
L3	1	9	Queens bonus
	2	10	Kings bonus
	3	11	Jacks bonus
	4	12	Tens bonus
L4	1	13	4000 bonus
	2	14	5000 bonus
	3	15	3000 bonus
	4	16	2000 bonus
L5	1	17	King target bank reset
	2	18	1000 bonus
	3	19	Special rollover
	4	20	Extra ball target
L6	1	21	Top "B" rollover
	2	22	Top "C" rollover
	3	23	Top "A" rollover
	4	24	Bottom "C" rollover
L7	1	25	Left bottom "B" rollover
	2	26	Right bottom "B" rollover
	3	27	Bottom "A" rollover
	4	28	5x bonus
L8	1	29	Not used
	2	30	Not used
	3	31	Not used
	4	32	Not used
L9	1	33	Not used
	2	34	Not used
	3	35	Not used
	4	36	Not used

WIRE COLOR ASSIGNMENTS

LAMP	COLOR
1	White-Blue
2	White-Orange
3	White-Brown
4	White-Green
5	White-Purple
6	White-Yellow
7	Blue-White-Red
8	Orange-White-Red
9	Brown-White-Red
10	Green-White-Red
11	Purple-White-Red
12	Yellow-White-Red
13	Blue-White-Black
14	Orange-White-Black
15	Brown-White-Black
16	Green-White-Black
17	Purple-White-Black
18	Yellow-White-Black
19	White-Blue-Red
20	White-Orange-Red
21	White-Brown-Red
22	White-Green-Red
23	White-Purple-Red
24	White-Yellow-Red
25	White-Blue-Black
26	White-Orange-Black
27	White-Brown-Black
28	White-Green-Black
29	White-Purple-Black
30	White-Yellow-Black
31	Blue-White-White
32	Orange-White-White
33	Brown-White-White
34	Green-White-White
35	Purple-White-White
36	Yellow-White-White

WIRE COLOR ASSIGNMENTS
(continued)

STROBE	COLOR
0	Blue
1	Orange
2	Brown
3	Green
4	Purple

RETURNS	
0	Yellow
1	Blue-White
2	Orange-White
3	Brown-White
4	Green-White
5	Purple-White
6	Yellow-White
7	Yellow-Black

SOLENOIDS	
1	Blue-Red
2	Orange-Red
3	Orange-Black
4	Green-Red
5	Purple-Red
6	Yellow-Red
7	Blue-Black
8	Orange-Black

Flipper Switches

Left: Green-Black

Right: Purple-Black

Anti-Cheat Switches

Blue-Black

Orange-Black

CABLE PLUGS FOR SOLID-STATE GAMES

PLUG A1-J1

PIN	WIRE COLOR	FUNCTION
1	_____	Spare
2	*Blue	-12 VDC
3	*Black	Ground
4	*Black	Ground
5	*Red	+5 VDC
6	*Red	+5 VDC

PLUG A1-J2

1	White-Blue-Red	f A
2	White-Orange-Red	g A
3	White-Brown-Red	a A
4	White-Green-Red	b A
5	White-Purple-Red	c A
6	White-Yellow-Red	d A
7	White-Blue-Black	e A
8	_____	Spare
9	_____	Spare
10	_____	Spare
11	White-Purple	f B
12	White-Yellow	g B
13	Brown-White-White	a B
14	Green-White-White	b B
15	Blue-White-Red	c B
16	Orange-White-Red	d B
17	White-Green-Black	e B
18	White-Purple-Black	h A
19	White-Yellow-Black	h B

All wires #22 gauge unless specified * (#18 gauge)

CABLE PLUGS FOR SOLID-STATE GAMES

PLUG A1-J3

PIN	WIRE COLOR	FUNCTION
1	_____	Spare
2	_____	Spare
3	_____	Spare
4	Black	Ground
5	*Red	+5 VDC
6	Blue	D 3
7	Orange	D 4
8	Brown	D 2
9	Green	D 1
10	Purple	D 10
11	Yellow	D 9
12	Blue-White	D 11
13	Orange-White	D 12
14	Brown-White	D 7
15	Green-White	D 8
16	Purple-White	D 6
17	Yellow-White	D 5
18	Blue-Red	D 14
19	Orange-Red	D 13
20	Brown-Red	D 15
21	Green-Red	D 16

All wires #22 gauge unless specified * (#18 gauge)

CABLE PLUGS FOR SOLID-STATE GAMES

PLUG A1-J5

PIN	WIRE COLOR	FUNCTION
1	Blue-Black	Solenoid 7
2	Orange-Black	Solenoid 8
3	White-Green	LD 4
4	White-Brown	LD 3
5	White-Orange	LD 2
6	White-Blue	LD 1
7	Green-Red	Hundreds chime
8	Purple-Red	Thousands chime
9	Yellow-Red	Solenoid 6
10	Blue-White-Red	Tens chime
11	Orange-Red	Knocker
12	Blue-Red	Outhole
13	Brown-White	DS 9
14	Orange-White	DS 7
15	Blue-White	DS 8
16	Yellow	DS 6
17	Purple	DS 5
18	Green	DS 4
19	Brown	DS 3
20	Orange	DS 2
21	Blue	DS 1
22	_____	Spare
23	*Red	+5 VDC
24	*Black	Ground

All wires #22 gauge unless specified * (#18 gauge)

CABLE PLUGS FOR SOLID-STATE GAMES

PLUG A1-J6

PIN	WIRE COLOR	FUNCTION
1	Black	Ground
2	Blue-Black	Anti-cheat switch
3	Yellow	Return 0
4	Orange	Strobe 1
5	Brown	Strobe 2
6	Green	Strobe 3
7	Purple	Strobe 4
8	Blue	Strobe 0
9	_____	Spare

PLUG A1-J7

1	White-Green-Black	Outhole
2	Blue	Strobe 0
3	Orange	Strobe 1
4	Brown	Strobe 2
5	_____	Spare
6	Purple	Strobe 4
7	Green	Strobe 3
8	*Black	Ground
9	_____	Spare
10	Yellow-Black	Return 7
11	Yellow-White	Return 6
12	Yellow	Return 0
13	Blue-White	Return 1
14	Orange-White	Return 2
15	Purple-White	Return 5
16	Green-White	Return 4
17	Brown-White	Return 3

All wires #22 gauge unless specified * (#18 gauge)

CABLE PLUGS FOR SOLID-STATE GAMES

PLUG A2-J1

PIN	WIRE COLOR	FUNCTION
1	White-Blue	11.5 VAC
2	White-Orange	11.5 VAC Return
3	*Black	Ground
4	White-Brown	14 VAC
5	White-Purple	14 VAC Return
6	Blue-White-Red	69 VAC
7	Orange-White-Red	69 VAC Return

PLUG A2-J2

1	*Red	+5 VDC
2	*Red	+5 VDC
3	_____	Spare
4	*Black	Ground
5	*Black	Ground
6	*Blue	-12 VDC

PLUG A2-J3

1	White-Blue	+60 VDC
2	_____	Spare
3	White-Orange	+42 VDC
4	_____	Spare
5	Black	Ground
6	_____	Spare
7	Blue-White-Black	+4 VDC
8	Green-White-Red	+8 VDC

All wires #22 gauge unless specified * (#18 gauge)

CABLE PLUGS FOR SOLID-STATE GAMES

PLUG A3-J1

PIN	WIRE COLOR	FUNCTION
1	White-Orange	LD 2
2	White-Brown	LD 3
3	White-Blue	LD 1
4	White-Green	LD 4
5	Blue	DS 1
6	Orange	DS 2
7	Brown	DS 3
8	Blue-Red	Outhole
9	Yellow-Red	Solenoid 6
10	Green	DS 4
11	Blue-Black	Solenoid 7
12	Orange-Black	Solenoid 8
13	Purple	DS 5
14	Yellow	DS 6
15	Orange-White	DS 7
16	Blue-White	DS 8
17	Brown-White	DS 9
18	Purple-Red	Thousands chime
19	Green-Red	Hundreds chime
20	Blue-White-Red	Tens chime
21	Orange-Red	Knocker
22	*Black	Ground
23	*Red	+5 VDC
24	_____	Spare

PLUG A3-J2

1	*Orange-Red	Knocker
2	*Orange-Black	Tens chime
3	*Green-Red	Hundreds chime
4	*Purple-Red	Thousands chime
5	*Black	Ground
6	_____	Spare ground
7	_____	Spare ground

All wires #22 gauge unless specified * (#18 gauge)

CABLE PLUGS FOR SOLID-STATE GAMES

PLUG A3-J3

PIN	WIRE COLOR	FUNCTION
1	Yellow-White-White	L36
2	Purple-White-White	L35
3	Green-White-White	L34
4	Brown-White-White	L33
5	Orange-White-White	L32
6	Blue-White-White	L31
7	White-Purple-Black	L29
8	White-Yellow-Black	L30
9	White-Green-Black	L28
10	*Black	Ground
11	White-Brown-Black	L27
12	White-Blue-Black	L25
13	White-Orange-Black	L26
14	White-Yellow-Red	L24
15	White-Purple-Red	L23
16	White-Brown-Red	L21
17	White-Green-Red	L22
18	White-Orange-Red	L20
19	*Black	Ground
20	White-Blue-Red	L19
21	*Black	Ground

PLUG A3-J4

1	(#16 Gauge) Black	Ground
2	(#16 Gauge) Orange-Black	Solenoid 8
3	_____	Spare ground
4	*Blue-Black	Solenoid 7
5	*Yellow-Red	Solenoid 6
6	*Blue-Red	Outhole
7	(#16 Gauge) Black	Ground
8	_____	Spare ground

All wires #22 gauge unless specified * (#18 gauge)

CABLE PLUGS FOR SOLID-STATE GAMES

PLUG A3-J5

PIN	WIRE COLOR	FUNCTION
1	Purple-White-Black	L17
2	Yellow-White-Black	L18
3	Green-White-Black	L16
4	Brown-White-Black	L15
5	Blue-White-Black	L13
6	Orange-White-Black	L14
7	Yellow-White-Red	L12
8	Purple-White-Red	L11
9	Brown-White-Red	L9
10	Green-White-Red	L10
11	Orange-White-Red	L8
12	Blue-White-Red	L7
13	White-Purple	L5
14	White-Yellow	L6
15	White-Green	L4
16	*Black	Ground
17	White-Brown	L3
18	White-Blue	L1
19	White-Orange	L2

All wires #22 gauge unless specified * (#18 gauge)

CABLE PLUGS FOR SOLID-STATE GAMES

PLUG 1A4-J1

PIN	WIRE COLOR	FUNCTION
1	Purple-White	D 6
2	Yellow-White	D 5
3	Orange	D 4
4	Blue	D 3
5	Brown	D 2
6	Green	D 1
7	White-Purple-Black	h A
8	White-Orange-Red	g A
9	White-Blue-Red	f A
10	White-Blue-Black	e A
11	White-Yellow-Red	d A
12	White-Purple-Red	c A
13	White-Green-Red	b A
14	White-Brown-Red	a A
15	Brown-White-Red	5 VAC
16	Purple-White-Red	5 VAC Return
17	White-Blue	+60 VDC
18	_____	Spare
19	Black	Ground

All wires #22 gauge unless specified * (#18 gauge)

CABLE PLUGS FOR SOLID-STATE GAMES

PLUG 2A4-J1

PIN	WIRE COLOR	FUNCTION
1	Blue-Red	D 14
2	Orange-Red	D 13
3	Orange-White	D 12
4	Blue-White	D 11
5	Purple	D 10
6	Yellow	D 9
7	White-Purple-Black	h A
8	White-Orange-Red	g A
9	White-Blue-Red	f A
10	White-Blue-Black	e A
11	White-Yellow-Red	d A
12	White-Purple-Red	c A
13	White-Green-Red	b A
14	White-Brown-Red	a A
15	Brown-White-Red	5 VAC
16	Purple-White-Red	5 VAC Return
17	White-Blue	+60 VDC
18	_____	Spare
19	Black	Ground

All wires #22 gauge unless specified * (#18 gauge)

CABLE PLUGS FOR SOLID-STATE GAMES

PLUG 3A4-J1

PIN	WIRE COLOR	FUNCTION
1	Purple-White	D 6
2	Yellow-White	D 5
3	Orange	D 4
4	Blue	D 3
5	Brown	D 2
6	Green	D 1
7	White-Yellow-Black	h B
8	White-Yellow	g B
9	White-Purple	f B
10	White-Green-Black	e B
11	Orange-White-Red	d B
12	Blue-White-Red	c B
13	Green-White-White	b B
14	Brown-White-White	a B
15	Brown-White-Red	5 VAC
16	Purple-White-Red	5 VAC Return
17	White-Blue	+60 VDC
18	_____	Spare
19	Black	Ground

All wires #22 gauge unless specified * (#18 gauge)

CABLE PLUGS FOR SOLID-STATE GAMES

PLUG 4A4-J1

PIN	WIRE COLOR	FUNCTION
1	Blue-Red	D 14
2	Orange-Red	D 13
3	Orange-White	D 12
4	Blue-White	D 11
5	Purple	D 10
6	Yellow	D 9
7	White-Yellow-Black	h B
8	White-Yellow	g B
9	White-Purple	f B
10	White-Green-Black	e B
11	Orange-White-Red	d B
12	Blue-White-Red	c B
13	Green-White-White	b B
14	Brown-White-White	a B
15	Brown-White-Red	5 VAC
16	Purple-White-Red	5 VAC Return
17	White-Blue	+60 VDC
18	———	Spare
19	Black	Ground

All wires #22 gauge unless specified * (#18 gauge)

CABLE PLUGS FOR SOLID-STATE GAMES

PLUG A5-J1

PIN	WIRE COLOR	FUNCTION
1	————	Spare
2	Green-Red	D 16
3	Brown-Red	D 15
4	————	Spare
5	Green-White	D 8
6	Brown-White	D 7
7	White-Purple-Red	c A
8	White-Green-Red	b A
9	White-Purple-Black	h A
10	White-Orange-Red	g A
11	White-Blue-Red	f A
12	White-Blue-Black	e A
13	White-Yellow-Red	d A
14	White-Brown-Red	a A
15	Yellow-White-Red	3 VAC
16	Orange-White-Black	3 VAC Return
17	White-Orange	+42 VDC
18	*Red	+5 VDC
19	Black	Ground

All wires #22 gauge unless specified * (#18 gauge)

CABLE PLUGS FOR SOLID-STATE GAMES

PLUG A6-J1

PIN	WIRE COLOR	FUNCTION
1	Yellow	Return 0
2	Blue-White	Play/test switch
3	Orange-White	#1 coin chute
4	Brown-White	#2 coin chute
5	Green-White	Replay button
6	Purple-White	Tilt pendulum
7	*Brown-Red	Coin chute lights
8	Blue-Black	Anti-cheat switches
9	*Brown-Black	Left flipper switch
10	*Green-Black	Flipper return
11	*Red	Coin lockout
12	*Black	Ball roll tilt ground
13	Spare	
14	*White-Black	Coin chute lights return
15	*Green-Yellow	Earth ground and coin lockout return

PLUG A6-J2

1	*Orange-Red	Knocker
2	*Green-Red	Hundreds chime
3	*Purple-Red	Thousands chime
4	*Orange-Black	Tens chime
5	*Red	24 VDC
6	*Red	24 VDC

All wires #22 gauge unless specified *(#18 gauge)

CABLE PLUGS FOR SOLID-STATE GAMES

PLUG A6-J3

PIN	WIRE COLOR	FUNCTION
1	Yellow-Black	Game over light
2	White-Brown	High game to date light
3	White-Green	Shoot Again light
4	Brown-White-Red	5 VAC
5	Green-White-Red	+8 VDC offset
6	Purple-White-Red	5 VAC Return
7	Yellow-White-Red	3 VAC
8	Blue-White-Black	+4 VDC offset
9	Orange-White-Black	3 VAC Return
10	White-Brown-Black	Tilt light
11	*White	6 VDC
12	(#16 Gauge) White-Red	6.3 VAC (lightbox)
13	(#16 Gauge) White-Black	6.3 VAC Return
14	*Green-Yellow	Earth ground
15	_____	Spare

PLUG A6-J4

1	White-Brown	High game to date light
2	*Black	Ground
3	*Black	Ground
4	*Black	Ground
5	*Black	Ground
6	(#16 Gauge) White	6 VDC
7	(#16 Gauge) White-Black	6.3 VAC Return
8	_____	Spare
9	_____	Spare

All wires #22 gauge unless specified * (#18 gauge)

CABLE PLUGS FOR SOLID-STATE GAMES

PLUG A6-J5

PIN	WIRE COLOR	FUNCTION
1	(#16 Gauge) Brown-Red	6.3 VAC (playboard)
2	*Brown-Black	Flipper switch
3	*Brown-Black	Flipper switch
4	*Green-Black	Left flipper sw.
5	*Purple-Black	Right flipper sw.
6	Yellow-Black	Game Over light
7	White-Green	Shoot Again light
8	White-Brown-Black	Tilt light
9	(#16 Gauge) Red	24 VDC
10	(#16 Gauge) Black	Ground
11	(#16 Gauge) Black	Ground
12	(#16 Gauge) Black	Ground

All wires #22 gauge unless specified * (#18 gauge)

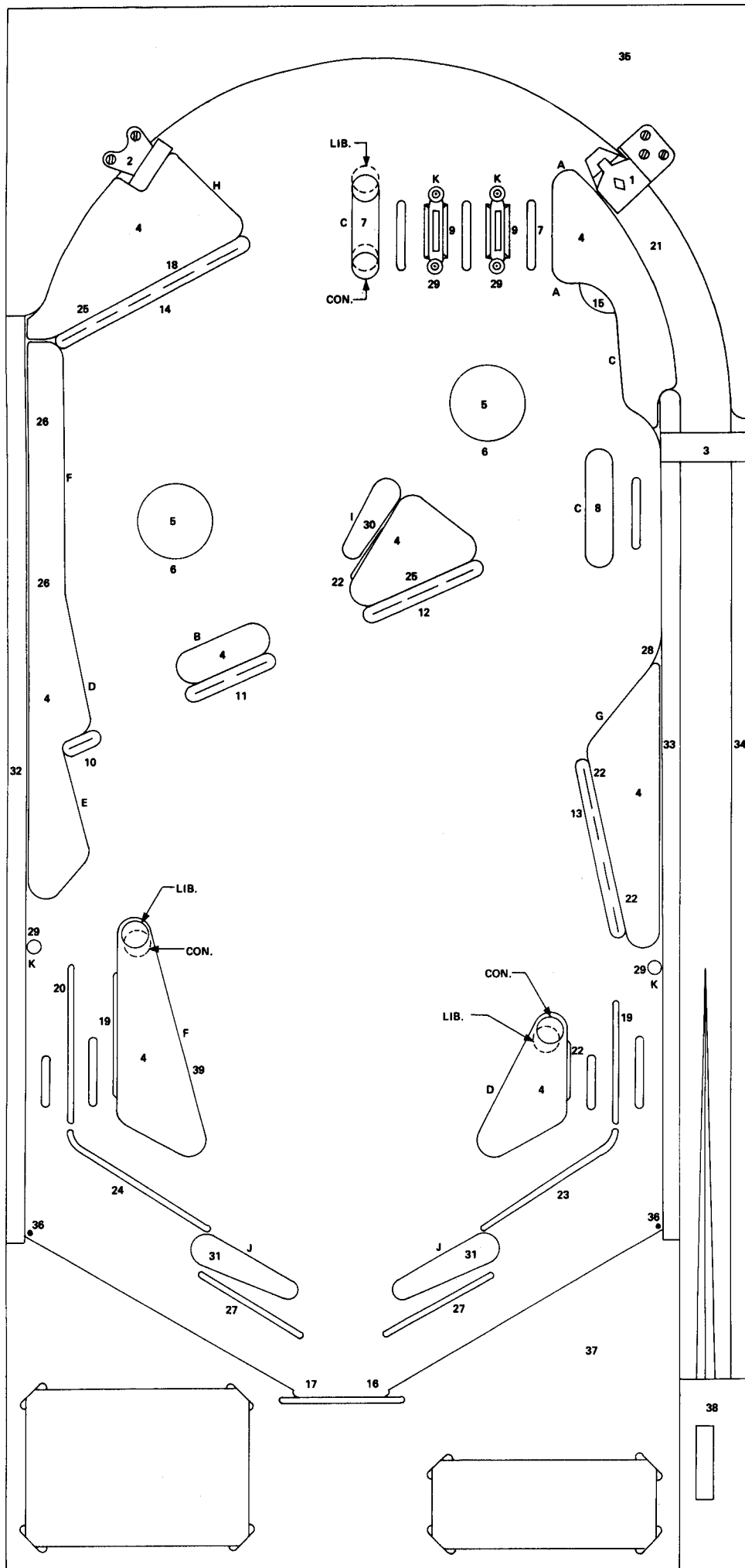
RUBBER RINGS INFORMATION

RUBBER RINGS

A—A-10217	(2) White
B—A-10219	(1) White
C—A-10220	(3) White
D—A-10221	(3) White
E—A-10222	(1) White
F—A-10223	(2) White
G—A-10224	(1) White
H—A-10225	(1) White
I—A-13149	(1) Red
J—A-13151	(2) Red
K—A-15705	(6) White (Mini Post Screw)

PARTS LIST

1. A-3290 Ball Gate.
 2. A-9143 Ball Rebound Rubber.
 3. A-8215 Ball Deflector.
 4. C-17618 Plastic Shield Set.
 5. Blue Pop Bumper A-10436 and A-16838 White Cap Stamped in Red.
 6. B-8246 Pop Bumper Platter.—(2)
 7. A-9395 White Plastic Guide Rail.—(2)
 8. A-9397 Red Plastic Guide Rail.—(1)
 9. C-15647 Yellow Plastic Rollover Guide.—(2)
 10. 1-Pos. Drop Target White with A-13445 Stamped in Red.
 11. 2-Pos. Drop Target White with A-13446 Stamped (1) in Red and (1) in Black.
 12. 3-Pos. Drop Target White with A-13447 Stamped (2) in Red and (1) in Black.
 13. 4-Pos. Drop Target White with A-13448 Stamped (2) in Red and (2) in Black.
 14. 5-Pos. Drop Target White with A-13449 Stamped (2) in Red, (2) in Black and A-17747 Stamped in Black.
 15. A-18511 Bulls-Eye Target. (B-18075 SW. & Target Assem.)
 16. C-15707 White Hole Base Plate with C-15708 White Sw. Arm.
 17. A-11151 Metal Hole Liner.
 18. A-3722 Ball Guide Rail. (Wire Form)—(1)
 19. A-4832 Ball Guide Rail. (Wire Form)—(2)
 20. A-4833 Ball Guide Rail. (Wire Form)—(1)
 21. A-4246 Ball Guide Rail. (Wire Form)—(1)
 22. A-6931 Ball Guide Rail. (Wire Form)—(4)
 23. A-14571 Ball Guide Rail. (Wire Form)—(1)
 24. A-14572 Ball Guide Rail. (Wire Form)—(1)
 25. A-17650 Ball Guide Rail. (Wire Form)—(2)
 26. A-18070 Ball Guide Rail. (Wire Form)—(2)
 27. A-13798 Ball Snubber Rail. (Wire Form)—(2)
 28. A-5272 Metal Flat Rail.—(1)
 29. A-14792 Mini Post Screw.—(6)
 30. C-11241 White Flipper.—(1)
 31. C-13150 White Flipper.—(2)
 32. C-7393 Wood Rail. (Left Side)
 33. C-9771 Wood Rail. (Center)
 34. C-13977 Wood Rail. (Right Side)
 35. D-4806 Top Arch. (with "G", "6", "7" Pos.)
 36. A-10542 Steel Pin.—(2)
 37. D-13647-IE Card Holder.
 38. C-9767 Ball Shooter Gage.
 39. A-15838 Kicking Rubber.
 - C-11561 White Plastic Post 1" High.—(32)
 - C-11562 White Plastic Post 1-3/16" High.—(2)
- LIB.=LIBERAL.
CON.=CONSERVATIVE.



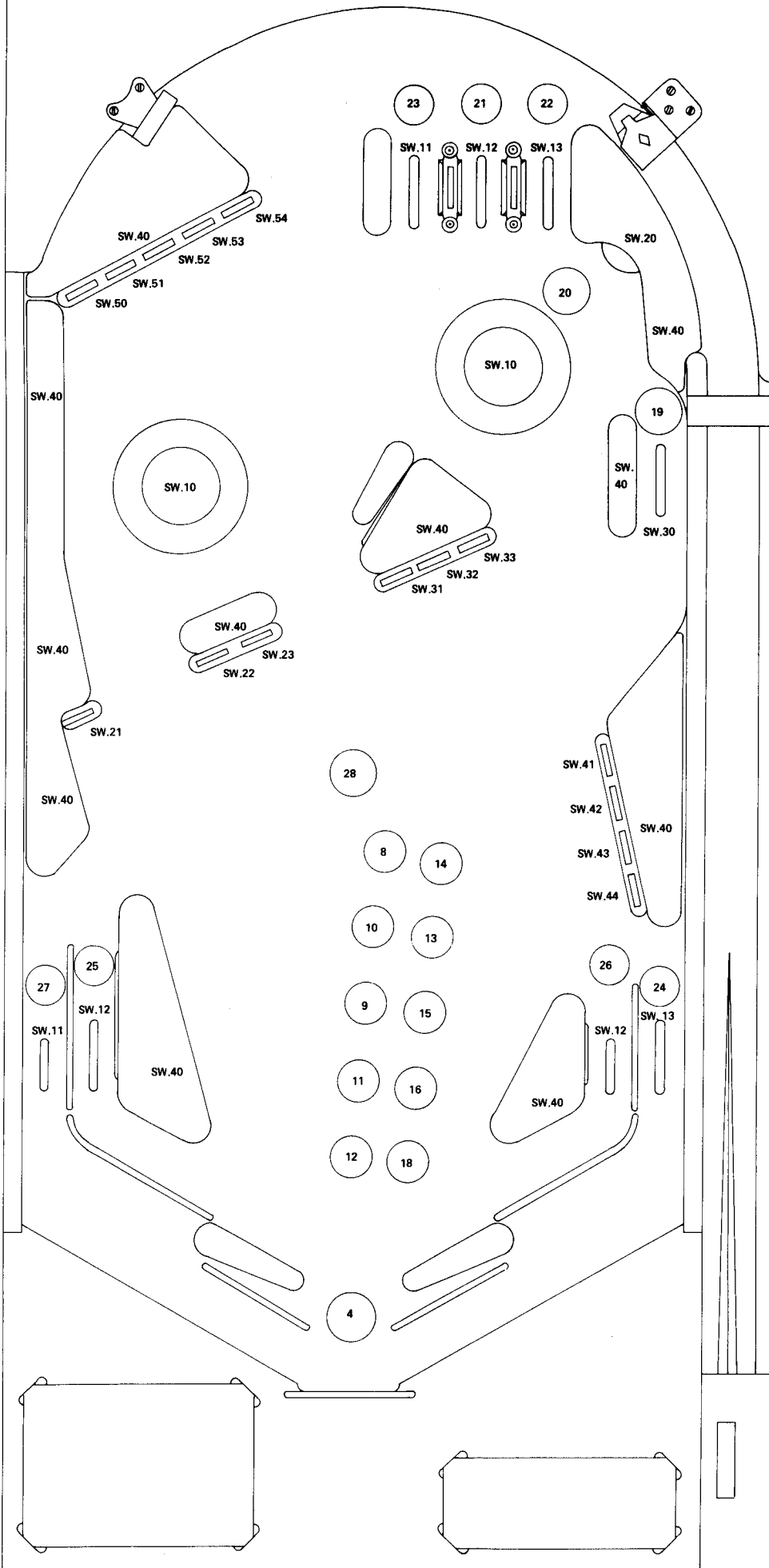
SWITCH MATRIX AND LAMP LOCATION

SWITCHES ON MATRIX

SW. MATRIX NUMBER	SWITCH FUNCTION
SW.00	Test Button (On Front Door)
SW.01	#1 Coin Chute (On Front Door)
SW.02	#2 Coin Chute (On Front Door)
SW.03	Replay Button (On Front Door)
SW.04	Tilt Switches
SW.10	Pop Bumpers—(2)
SW.11	"A" Rollover—(2)
SW.12	"B" Rollover—(3)
SW.13	"C" Rollover—(2)
SW.20	Extra Ball Target
SW.21	"10" Drop Target
SW.22	"J" Drop Target
SW.23	"J" Drop Target
SW.30	Special Rollover
SW.31	"Q" Drop Target
SW.32	"Q" Drop Target
SW.33	"Q" Drop Target
SW.40	10 Point Switches—(II)
SW.41	"K" Drop Target
SW.42	"K" Drop Target
SW.43	"K" Drop Target
SW.44	"K" Drop Target
SW.50	"A" Drop Target
SW.51	"A" Drop Target
SW.52	Joker Drop Target
SW.53	"A" Drop Target
SW.54	"A" Drop Target

CPU CONTROLLED LAMPS

LAMP NUMBER	LAMP FUNCTION
1	Game Over Relay (Lamp in Lightbox)
2	Tilt Relay (Lamp in Lightbox)
3	High Game to Date (In Lightbox)
4	Same Player Shoots Again (Playfield & Lightbox)
8	Aces Bonus
9	Queens Bonus
10	Kings Bonus
11	Jacks Bonus
12	Tens Bonus
13	4000 Bonus
14	5000 Bonus
15	3000 Bonus
16	2000 Bonus
18	1000 Bonus
19	Special Rollover
20	Extra Ball Target
21	Top "B" Rollover
22	Top "C" Rollover
23	Top "A" Rollover
24	Bottom "C" Rollover
25	Left Bottom "B" Rollover
26	Right Bottom "B" Rollover
27	Bottom "A" Rollover
28	5 X Bonus



PARTS LIST

ELECTRONIC COMPONENTS

PB00-D100	Control Board (A1) (Less Prom)
S520	Power Supply Board (A2)
PB00-D110	Master Driver Board (A3)
PB00-D140	Display Board—Score (A4)
PB00-D150	Display Board—Ball in Play, Credit (A5)
MMI-6351-1J	Prom (Joker Poker Prom is "C")
#5K1	Line Filter (Corcom)
#VK-438	Bridge Rectifier (Varo)
#VL-038	Bridge Rectifier (Varo)
#1N-270	Germanium Diode
#1N-4004	Diode
#2N5875	Transistor

MECHANICAL COMPONENTS

A-17906	Bracket and Stop—Pop Bumper
A-17907	Bracket and Stop—Hole Kickers
A-17908	Bracket and Stop—Flipper
A-17958	Bracket and Stop—Target Bank Reset
A-18265	Bracket and Stop—Small Flipper

PARTS LIST
CONTROL BOARD
PB00-D100

1	MMI-6351-1J	Prom – Monolithic Memories (Z23)
2	15-24-1151	Molex Connector – (TC1, TC2)
1	CA-08P02	Plug – Circuit Assembly
1	CA-08-160-000	Cover – Circuit Assembly
1	41B901CD05-1	Battery – 3.6V. General Electric
2	V-1003	Battery Clip – Richco
1	44-111-021	Switch-Push Button – (S 25) – Chicago Switch
3	10040-008	Molex-Switch Matrix – (Dip Sw. 1, 2, 3) (S1-S24)
1	CA-18SE-10SD	IC Socket – 18 Pin-Circuit Ass'y
1	333R08-001	Crystal – 3.579545 MHZ. (Y1)
1	11660CF	MOS/LSI-CPU-(U1) – Rockwell
2	10696EE	MOS/LSI-GPIØ-(U2, U3) – Rockwell
1	A1753CE	MOS/LSI-ROM/RAM/IØ (U4)
1	A1752CF	MOS/LSI-ROM/RAM/IØ (U5)
1	10788PA	MOS/LSI-GPKD (U6) – Rockwell
1	SCL4081BE	IC-Quad And Gate – Sol. St. Scientific (Z1)
1	SN74154N	IC-4 to 16 Decoder – T.I. (Z30)
4	SN7405N	IC-Hex Inverter – OC – T.I. (Z9, 27, 28, 29)
1	SN7416N	IC-Hex Inverter – OC/HV. – T.I. (Z26)
5	SN7404N	IC-Hex Inverter – T.I. (Z8, Z13, 14, 24, 25)
4	SN7417N	IC-Hex Buffer – T.I. (Z6, 7, 11, 12)
1	SN74H21N	IC-Dual 4-Input And Gate – T.I. (Z15)
2	SN7448N	IC-BCD to 7 Segment Decoder T.I. (Z16, 17)
4	SN7408N	IC-Quad 2 Input And Gate – T.I. (Z18, 19, 20, 21)
1	P5101L-3	CMOS-Static Ram (256X4) (Z22) INTELL
2	CD4049AE	IC-Hex Buffer/Conv. – National (Z3, 4)
1	SN74LS05N	IC-LP Hex Inverter – OC – T.I. (Z5)
1	SCL4528BE	IC-Dual One Shot – Sol. St. Scientific (Z2)
6	MPS-A70	Transistor, PNP (Q1-6) – Motorola
36	1N4148	Diode, GP 75 mA, 75V. (CRI-24, 26-37)
2	721RO1-025	Resistor-1 OHM, 1/4 W. 5% (R107-R108)
1	721RO1-068	Resistor-62 OHM, 1/4 W. 5% (R133)
12	721RO1-092	Resistor-620 OHM, 1/4 W. 5% (R45-R56)
3	721RO1-097	Resistor-1K OHM, 1/4 W. 5% (R109, 156, 157)
27	721RO1-107	Resistor-2.7K OHM, 1/4W. 5% (R11-16, 73-80, 99-106, 110, 113, 116, 119, 147)
8	721RO1-113	Resistor-4.7K OHM, 1/4 W. 5% (R25-32)
54	721RO1-117	Resistor-6.8K OHM, 1/4 W. 5% (R3-10, 33-44, 57-62, 82-98, 122-131, 162)
17	721RO1-123	Resistor-12K OHM, 1/4 W. 5% (R134-145, 149-153)
21	721RO1-130	Resistor-24K OHM, 1/4 W. 5% (R1, 2, 17-24, 65-72, 81, 154, 155)
11	721RO1-131	Resistor-27K OHM, 1/4 W. 5% (R111-112, 114-115, 117-118, 120-121, 160-161, 163)
1	10/40/80000	Capacitor – 10 Micro-Farad, 40V. – Siemens (C20)
1	ECE-B25V100L	Capacitor – 100 Micro-Farad, 25V. – Matsushita (C17)
1	ECE-B10V100L	Capacitor – 100 Micro-Farad, 10V. – Matsushita (C16)
26	C320C103MIR5CA	Capacitor – .01 Micro-Farad, 100V. – Sprague/Kemet (C1-15, 18, 19, 22-30)
3	703RO1-003	Capacitor – 0.1 Micro-Farad, 100V. (C31-33)
1	1N703	Diode – 3.5 V., 250 mW., 20% – Motorola/Siemens (CR38)
1	721RO1-175	Resistor – 1.8M, 1/4 W. 5% (R158)
1	721RO1-179	Resistor – 2.7M, 1/4 W. 5% (R159)
1	CA-08SE-10SD	Socket (TC3), 8 Pin-Circuit Assembly

PARTS LIST
MASTER DRIVER BOARD
PB00-D110

9	SN74175N	Integrated Circuit, Quad "D" Flip-Flop-T.I. (Z1-Z9)
38	721R01-097	Resistor-1K OHM, 5%, 1/4 W. (R1-R38)
1	721R01-052	Resistor-13 OHM, 5%, 1/4 W. (R39)
14	C320C103MIR5CA	Capacitor-.01 Micro-Farad, 20%, 100V. - Kemet (C2-C15)
1	T320B106-010AS	Capacitor-10 Micro-Farad, 10V. - Kemet (C1)
5	MPS-U45	Transistor, NPN - Motorola (Q1-Q4, Q29)
32	MPS-A13	Transistor, NPN - Motorola (Q5-Q24, Q33-Q44)
7	2N6043	Transistor, NPN - Motorola (Q25-Q28, Q30-Q32)
1	2N3055	Transistor, NPN - RCA (Q45)
1	43-03-4	Insulator - Thermalloy (Q45 Ref.)

PARTS LIST

6 DIGIT DISPLAY

PB00-D140

1	RC20GF103	Resistor, 10K, 1/2 W., 5% (R1)
1	TE1400	Capacitor – 1 Micro-Farad 100V. (C3)
2	C320C103MIR5CA	Capacitor – .01 Micro-Farad, 100V. (C1, C2)
2	UDN6118A	IC-Fluorescent Dis. Driver – Sprague (Z1, Z2)
1	6-JS-01	6 Digit Display – Futaba Ind. U.S.A.

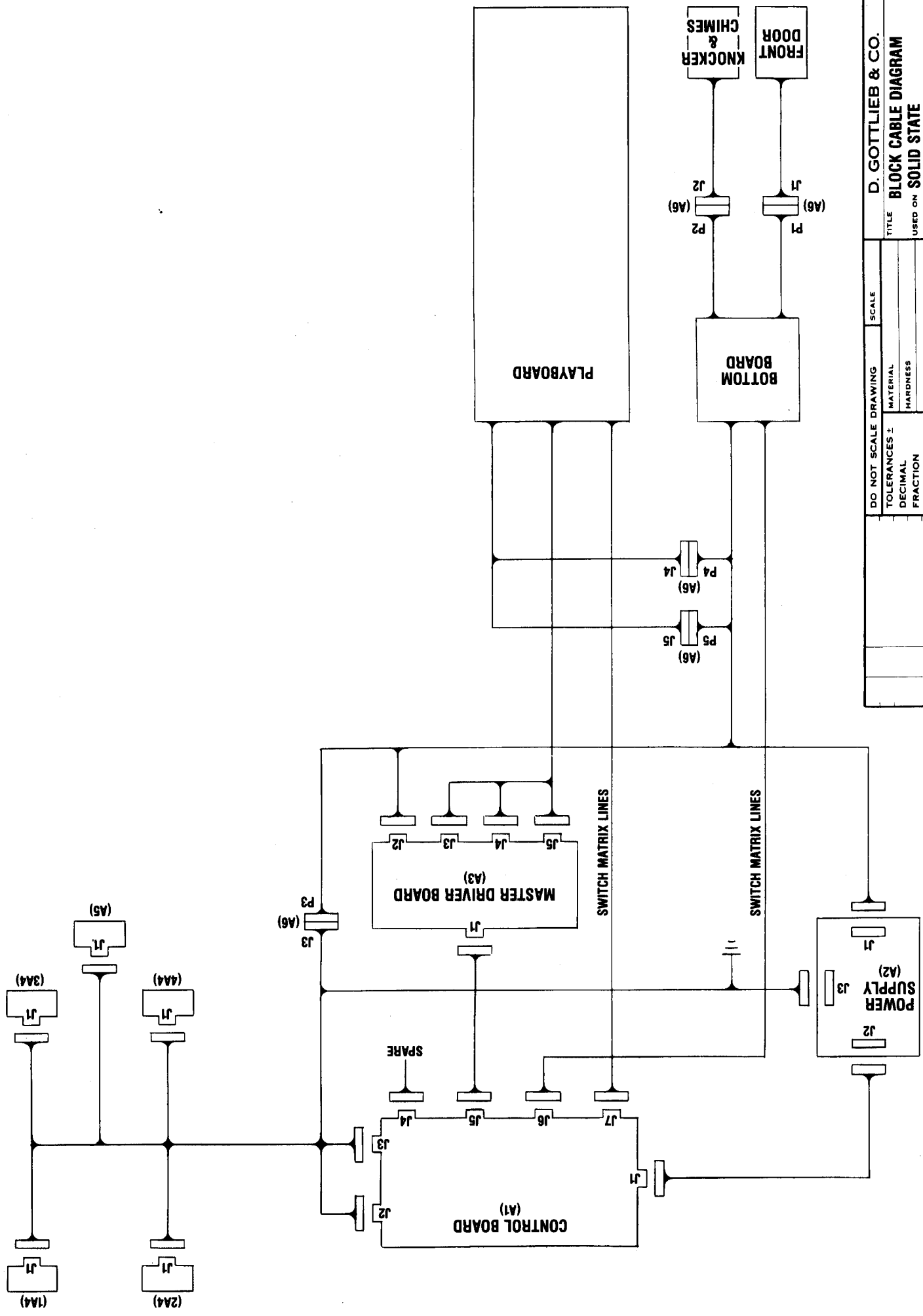
4 DIGIT DISPLAY

PB00-D150

1	TE1400	Capacitor – 1 Micro-Farad, 100V. – Sprague (C1)
2	C320C103MIR5CA	Capacitor – .01 Micro-Farad, 100V. – Kemet (C2, C3)
2	UDN6118A	IC – Fluorescent Dis. Driver – Sprague (Z2, Z3)
1	SN7432N	IC – Quad or Gate – T.I. (Z1)
1	4-LT-11	4 Digit Display – Futaba Ind. U.S.A. (DS1)

PARTS LIST
POWER SUPPLY
S520

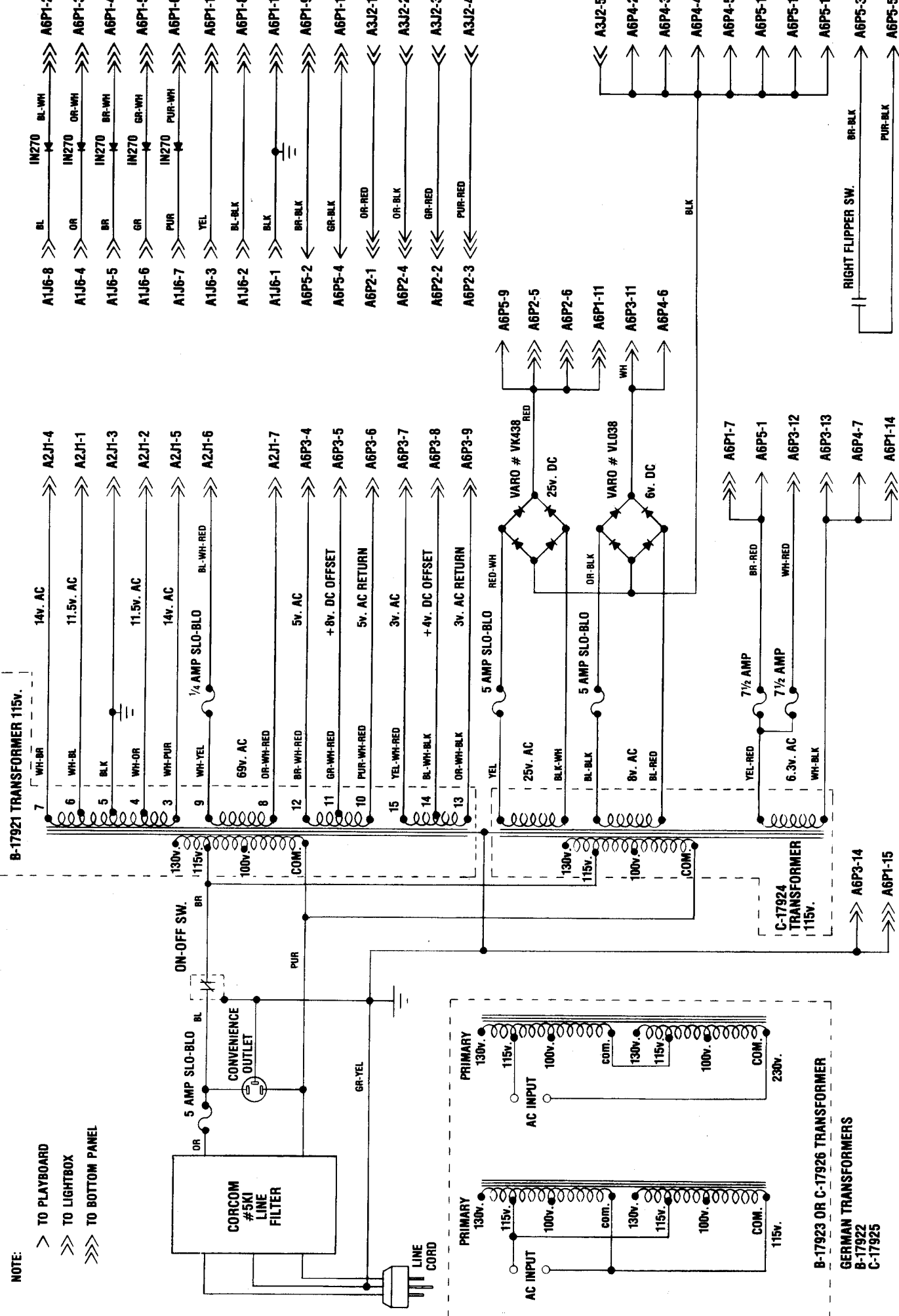
1	RC42GF18R2	Resistor, .18 OHM, 2 W. \pm 5% (R1A)
3	RC20GF101	Resistor, 100 OHM, $\frac{1}{2}$ W. \pm 5% (R2, R101, R201)
1	RC20GF431	Resistor, 430 OHM, $\frac{1}{2}$ W. \pm 5% (R3)
1	RC20GF681	Resistor, 680 OHM, $\frac{1}{2}$ W. \pm 5% (R21)
1	C173BNA	Resistor, 1.2K OHM, $\frac{1}{2}$ W. \pm 1% (R5) MEPCO
1	RC20GF202	Resistor, 2K OHM, $\frac{1}{2}$ W. \pm 5% (R6)
2	RC20GF152	Resistor, 1.5K OHM, $\frac{1}{2}$ W. \pm 5% (R7, R8)
1	RC20GF222	Resistor, 2.2K OHM, $\frac{1}{2}$ W. \pm 5% (R9)
2	RC20GF153	Resistor, 15K OHM, $\frac{1}{2}$ W. \pm 5% (R10, R11)
1	RC20GF102	Resistor, 1K OHM, $\frac{1}{2}$ W. \pm 5% (R12)
1	RC20GF330	Resistor, 33K OHM, $\frac{1}{2}$ W. \pm 5% (R13)
1	RC20GF123	Resistor, 12K OHM, $\frac{1}{2}$ W. \pm 5% (R14)
2	RC20GF103	Resistor, 10K OHM, $\frac{1}{2}$ W. \pm 5% (R15, R18)
1	RC20GF242	Resistor, 2.4K OHM, $\frac{1}{2}$ W. \pm 5% (R17)
2	RC20GF201	Resistor, 200 OHM, $\frac{1}{2}$ W. \pm 5% (R102, R202)
1	RC20GF471	Resistor, 470 OHM, $\frac{1}{2}$ W. \pm 5% (R22)
1	115R102A	Pot. 1K OHM, 2W. 10% (R4) CTS
1	115R501A	Pot. 500 OHM, 2 W. 10% (R16) CTS
1	PMD12K40	Transistor (Q1) Power Monolithics
1	MJE340K	Transistor (Q2) Motorola
1	2N3416	Transistor (Q3)
1	MPSA43	Transistor (Q4) Motorola
2	MR751	Diode, 3AMP, 50 V. (CR1, CR2) Motorola
2	1N4002	Diode, 1 AMP, 100 V. (CR3, CR4)
3	1N914	Diode, 75 mA, 75 V. (CR5, CR22, CR23)
4	1N4004	Diode, 1 AMP, 400 V. (CR6, CR7, CR8, CR9)
1	1N4753	Diode, 36 V., 1 W., 10% (CR10)
1	1N4742A	Diode, 12 V., 1 W., 5% (CR11)
1	1N4746A	Diode, 18 V., 1 W., 5% (CR12)
1	1N4738A	Diode, 8.2 V., 1 W., 5% (CR21)
1	1N4734A	Diode, 5.6 V., 1 W., 5% (CR101)
2	S0306LS3	Rectifier (SCR101, SCR201) ECC
1	UA723CL	+ 5 V. Regulator (IC1) TI
1	UA79MI2CKC	- 12 V. Regulator (LIC1) TI
1		Capacitor 2.9K Micro-Farad 30 V. (C1)
1	8101-100W5RO221K	Capacitor 220 Pico-Farad 16 V. (C2) Erie
1		Capacitor 470 Micro-Farad 10 V. (C3) TI
1		Capacitor 1K Micro-Farad 35 V. (C4) TI
1		Capacitor 47 Micro-Farad 50 V. (C5) TI
1	CEO2W	Capacitor 200 Micro-Farad 150 V. (C6) Towa
1	8121-050651104M	Capacitor 0.1 Micro-Farad 10 V. (C7)
1		Capacitor 10 Micro-Farad 160 V. (C8)
2	UK10-204	Capacitor 0.2 Micro-Farad 10 V. (C101, C201)
1	09-60-1071	Connector (J1) Molex
1	09-67-1061	Connector (J2) Molex
1	09-67-1081	Connector (J3) Molex
1	1N4743A	Diode, 13V., 1 W., 5% (CR201)



DO NOT SCALE DRAWING		SCALE	D. GOTTLIEB & CO.	
TOLERANCES ±	MATERIAL	TITLE	BLOCK CABLE DIAGRAM	
DECIMAL	HARDNESS	USED ON SOLID STATE		
FRACTION	FINISH	DRAWN	APPROVED	DATE
ANGULAR	NOTE	C-18012		
UNLESS OTHERWISE SPECIFIED				
ISSUE	DATE	REVISIONS		

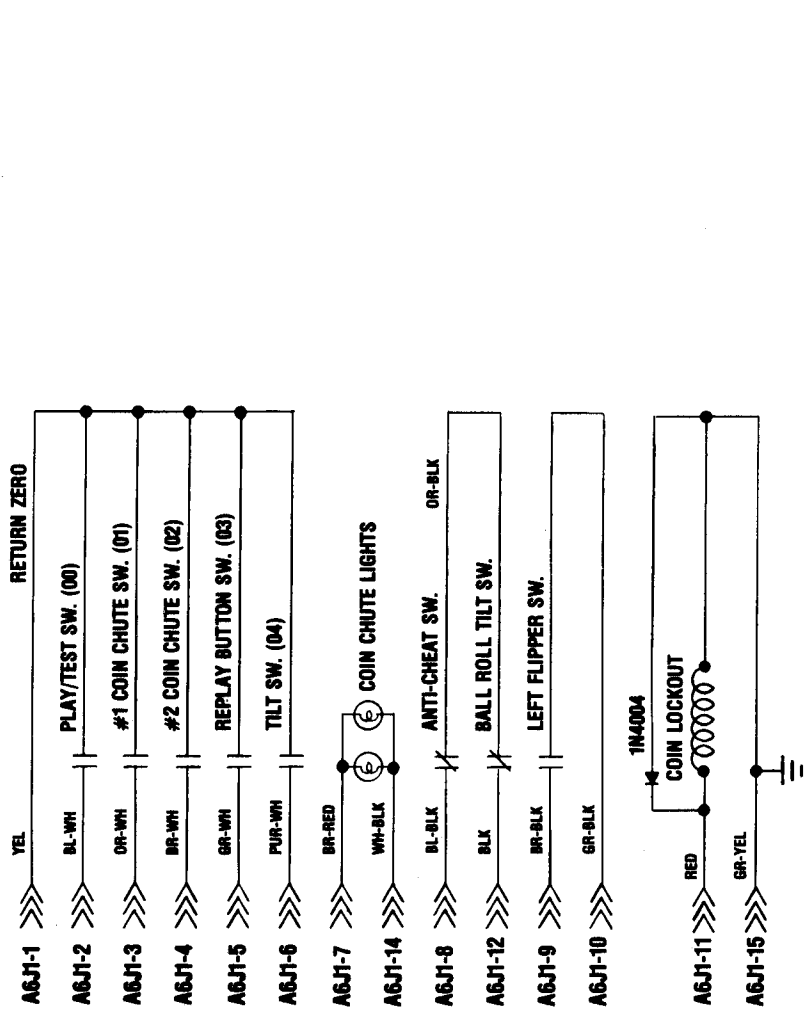
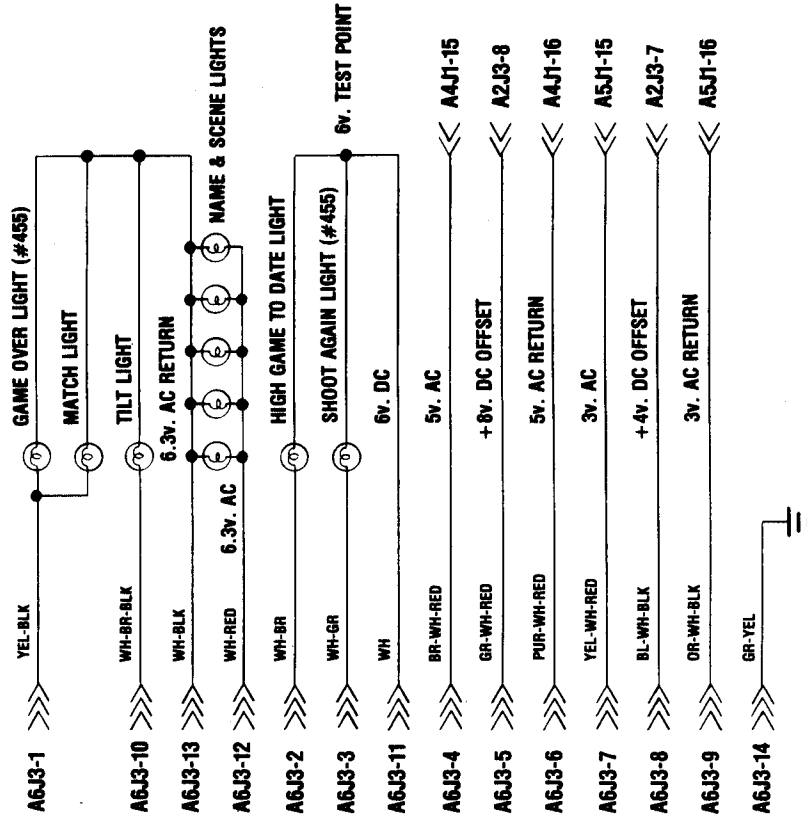
NOTE:

- > TO PLAYBOARD
- >> TO LIGHTBOX
- >>> TO BOTTOM PANEL



DO NOT SCALE DRAWING		SCALE
TOLERANCES ±	MATERIAL	
DECIMAL	HARDNESS	
FRACTION	FINISH	
ANGULAR	UNLESS OTHERWISE SPECIFIED	
1	Filter Circuit Revised	
ISSUE DATE	REVISIONS	

D. GOTTLIEB & CO.	
TITLE BOTTOM BOARD SCHEMATIC	
USED ON SOLID STATE	
DRAWN	APPROVED DATE
C-18013	

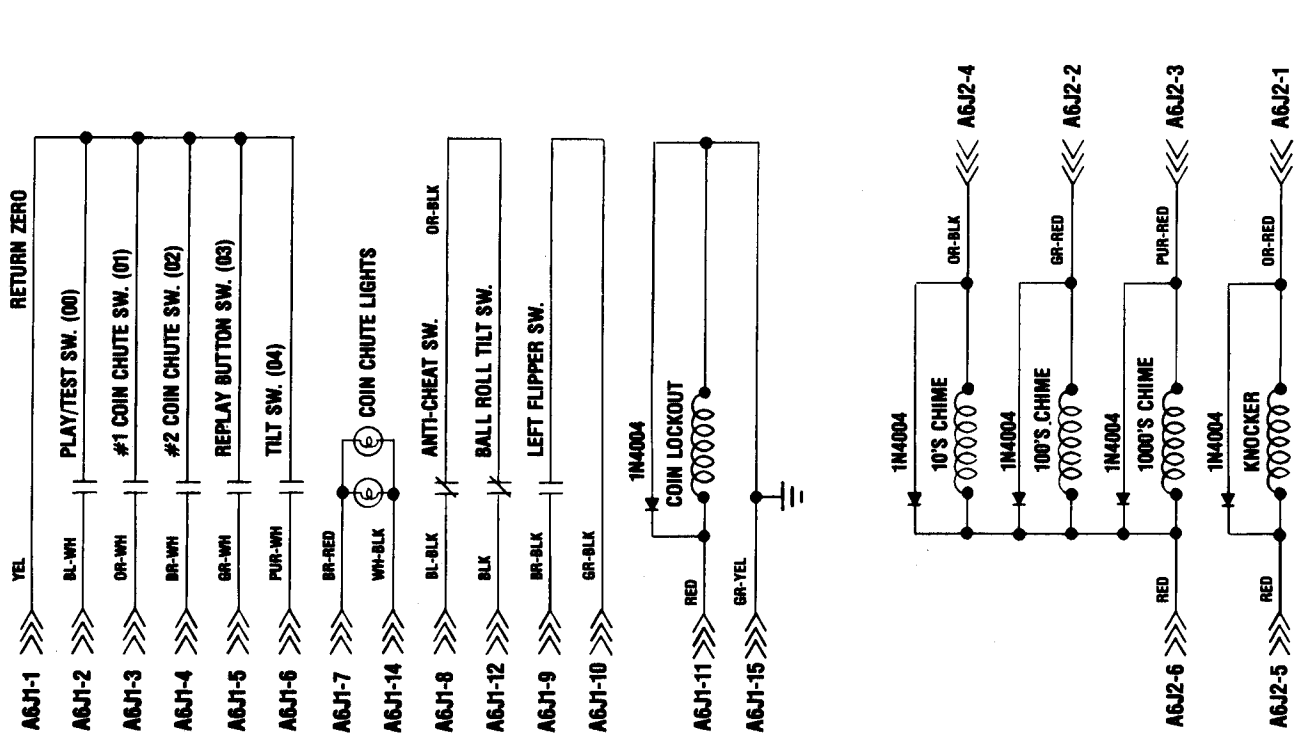


COILS USED

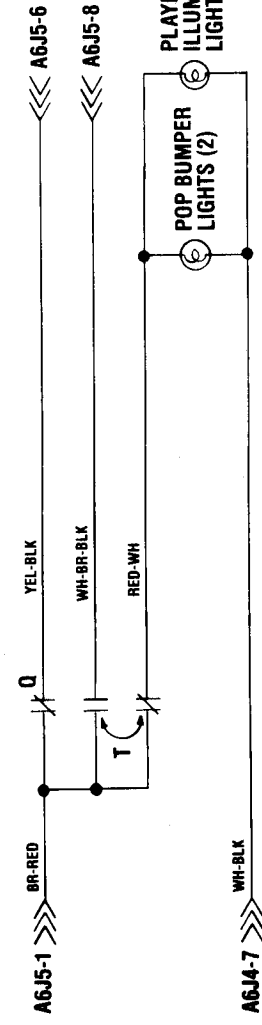
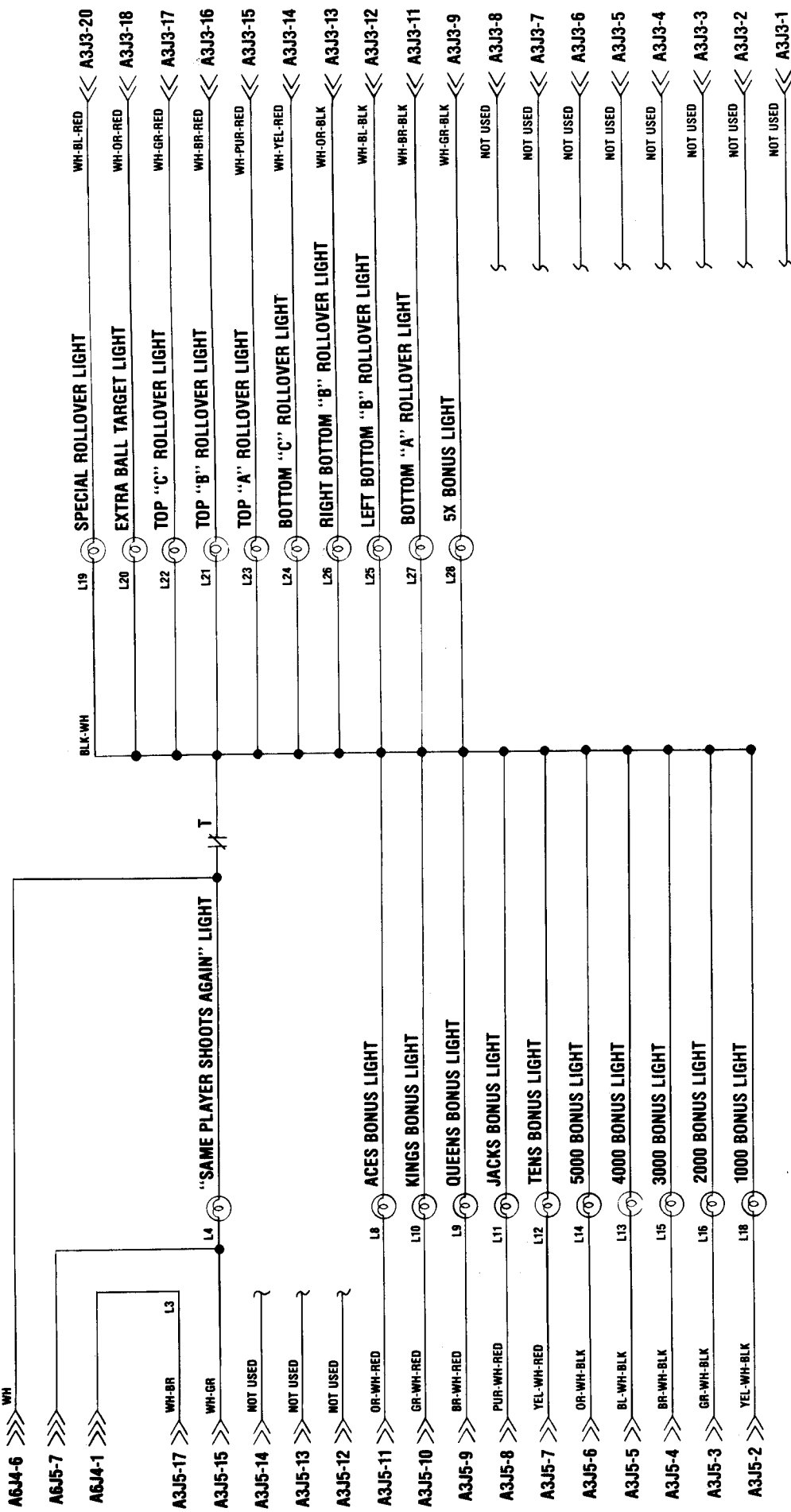
PART NO.	DESCRIPTION
A-17876	CHIME COILS
A-5195	KNOCKER COIL
A-16890	COIN LOCKOUT COIL

NOTE:

- > FROM PLAYBOARD
- ≧ FROM LIGHT BOX
- ≡ FROM BOTTOM BOARD

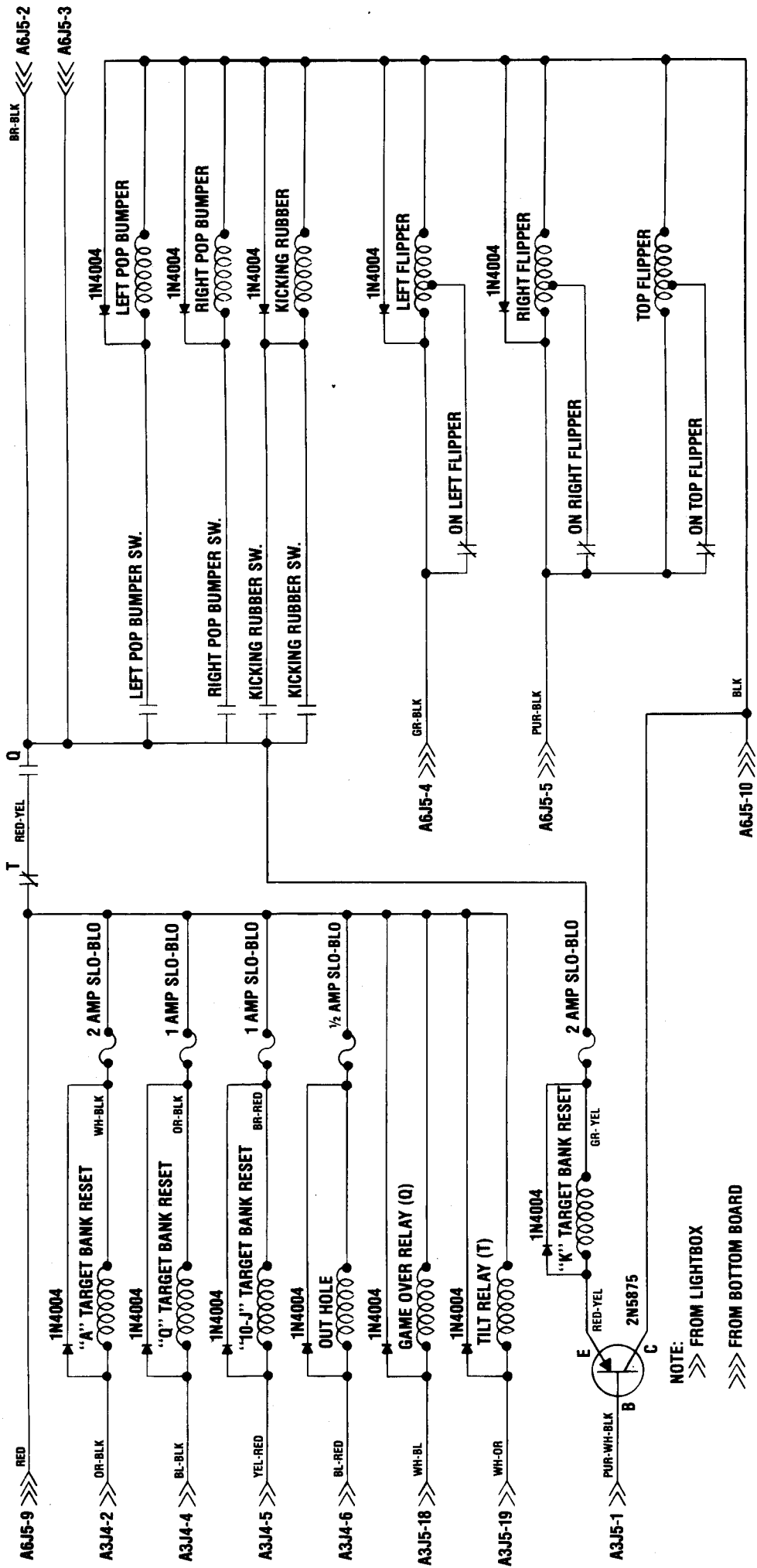


DO NOT SCALE DRAWING	SCALE	D. GOTTLIEB & CO.	
TOLERANCES ±		TITLE	
DECIMAL		BOTTOM BOARD & LIGHT BOX	
FRACTION		SCHEMATIC	
ANGULAR		USED ON SOLID STATE	
UNLESS OTHERWISE SPECIFIED		DRAWN	APPROVED DATE
ISSUE DATE	REVISIONS	C-18014	



NOTE:
 >>> FROM LIGHTBOX
 >>> FROM BOTTOM BOARD

DO NOT SCALE DRAWING		SCALE	
TOLERANCES ±	MATERIAL	D. GOTTLIEB & CO.	
DECIMAL	HARDNESS	PLAYBOARD ILLUMINATION	
FRACTION	FINISH	USED ON JOKER POKER #417SS	
ANGULAR UNLESS OTHERWISE SPECIFIED	NOTE	DRAWN	APPROVED DATE
1	4-78 Revised		C-18322
ISSUE DATE	REVISIONS		



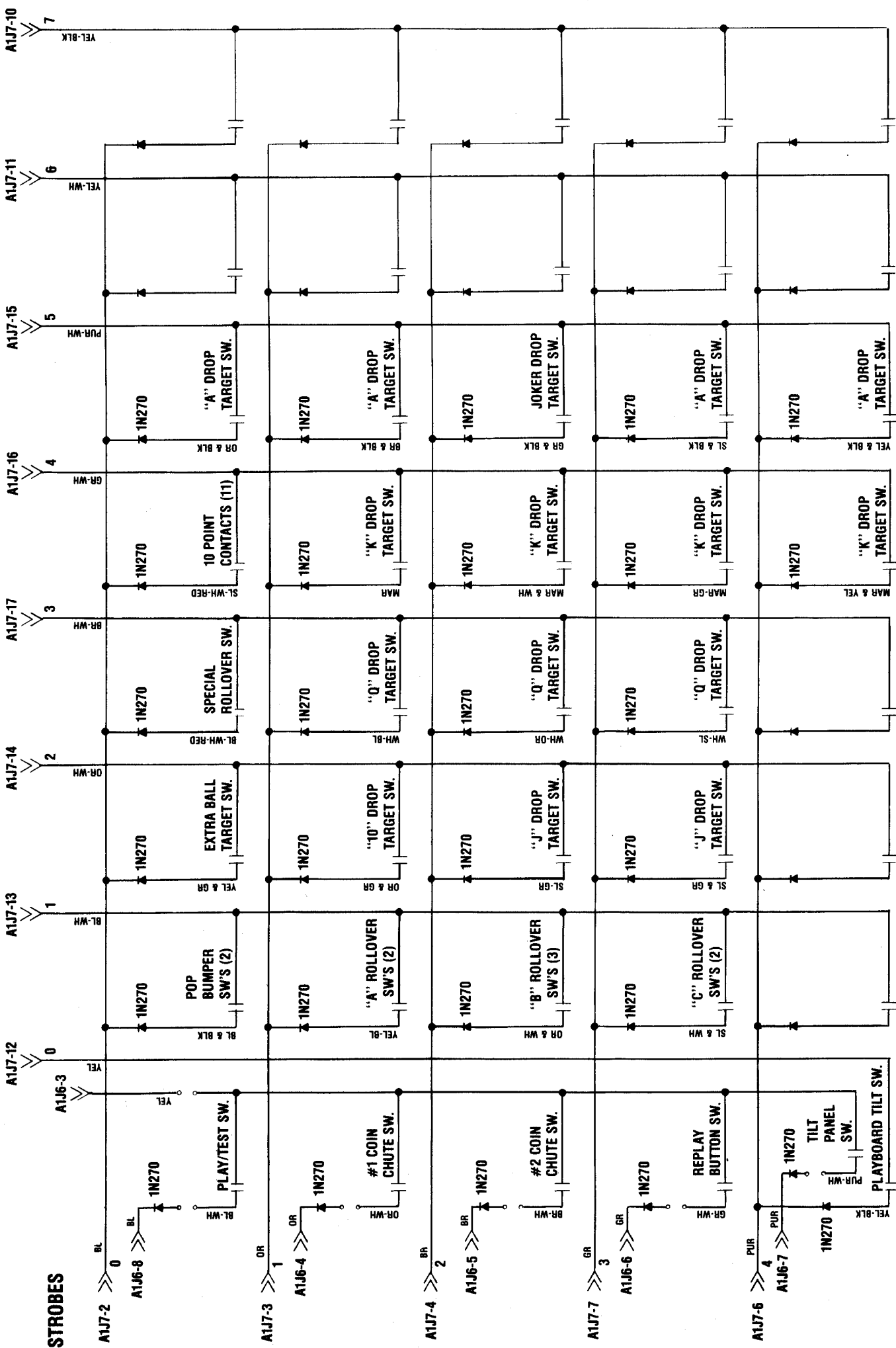
COILS USED

PART NO.	DESCRIPTION
A-1496	POP BUMPER COILS
A-5195	OUT HOLE COIL
A-5194	KICKING RUBBER COIL
A-16890	GAME OVER RELAY COIL (Q)
A-16890	TILT RELAY COIL (T)
A-17875	FLIPPER COILS
A-17891	"A" TARGET BANK RESET COIL
A-18102	"10-J" TARGET BANK RESET COIL
A-18102	"Q" TARGET BANK RESET COIL
A-18318	"K" TARGET BANK RESET COIL

DO NOT SCALE DRAWING		SCALE	
TOLERANCES ±	MATERIAL	MATERIAL	SCALE
DECIMAL	HARDNESS		
FRACTION	FINISH		
ANGULAR	UNLESS OTHERWISE SPECIFIED		
1	4-78 Revised		
ISSUE DATE	REVISIONS		

D. GOTTLIEB & CO.
TITLE: PLAYBOARD SOLENOIDS
USED ON: JOKER POKER #417SS
DRAWN: APPROVED DATE: C-18323

RETURNS

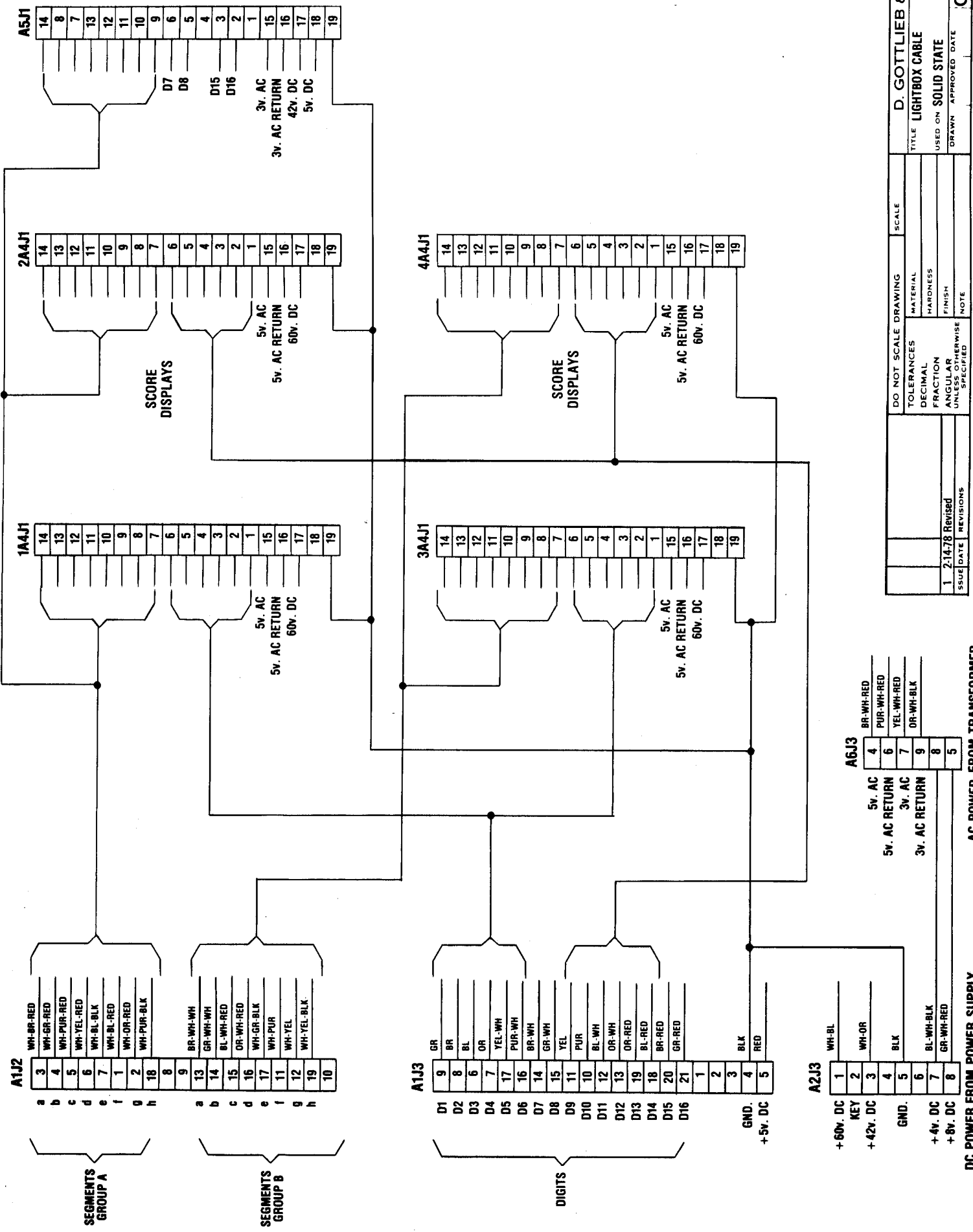


DO NOT SCALE DRAWING		SCALE
TOLERANCES:	MATERIAL	D. GOTTLIEB & CO.
DECIMAL	HARDNESS	
FRACTION	FINISH	
ANGULAR	NOTE	
TITLE SWITCH MATRIX		USED ON JOKER POKER #417SS
DRAWN APPROVED DATE		C-18324

NOTE: FROM LIGHTBOX

A1J7-1 WH-GP-BLK OUT HOLE SW. BLK A1J7-8

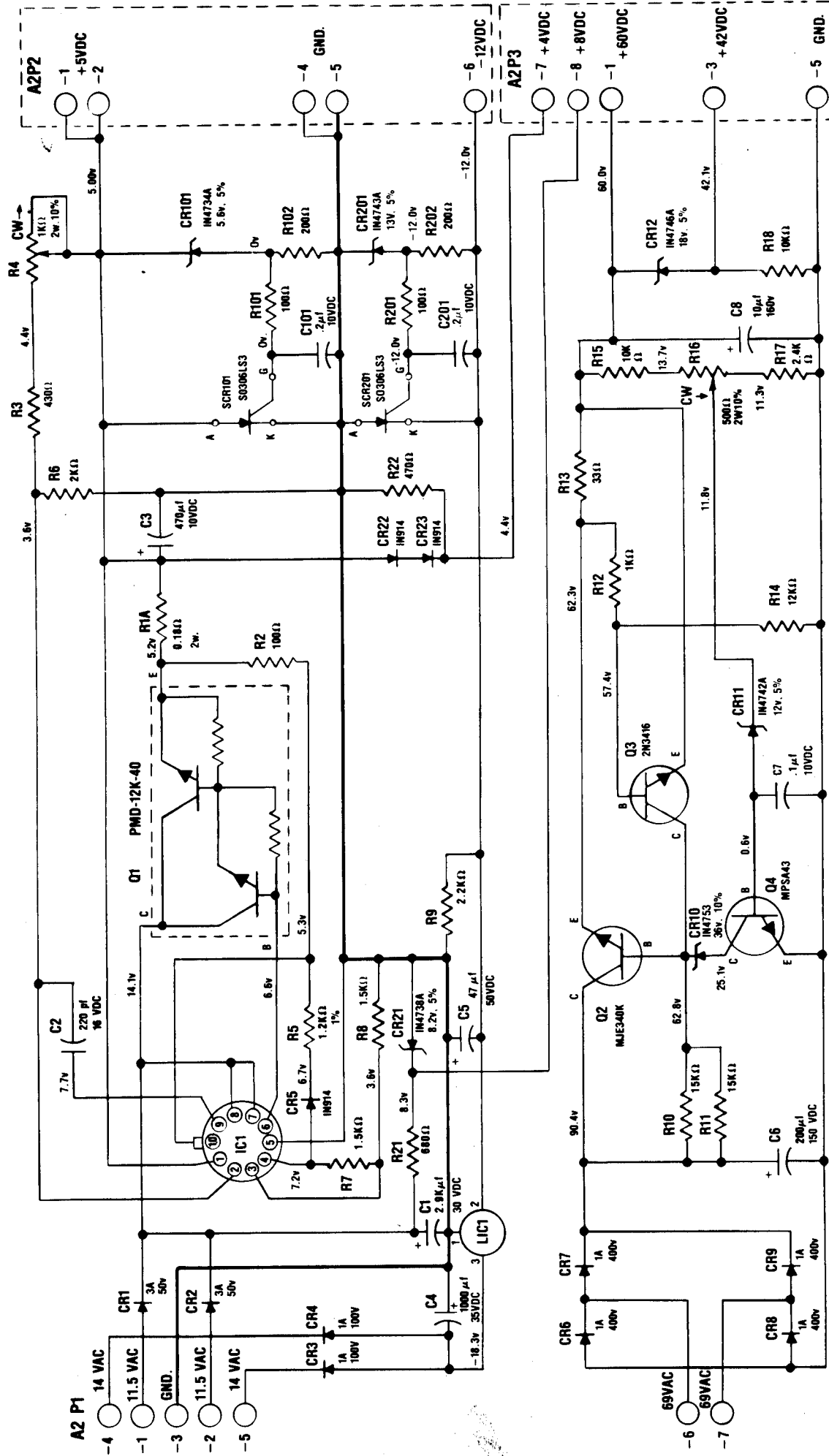
STATUS DISPLAYS



DO NOT SCALE DRAWING		SCALE
TOLERANCES	MATERIAL	FINISH
DECIMAL	HARDNESS	
FRACTION	ANGULAR	
UNLESS OTHERWISE SPECIFIED		NOTE
1	2-14-78	Revised
ISSUE DATE	REVISIONS	
D. GOTTLIEB & CO.		
TITLE LIGHTBOX CABLE		
USED ON SOLID STATE		
DRAWN		APPROVED DATE
C-18207		

AC POWER FROM TRANSFORMER

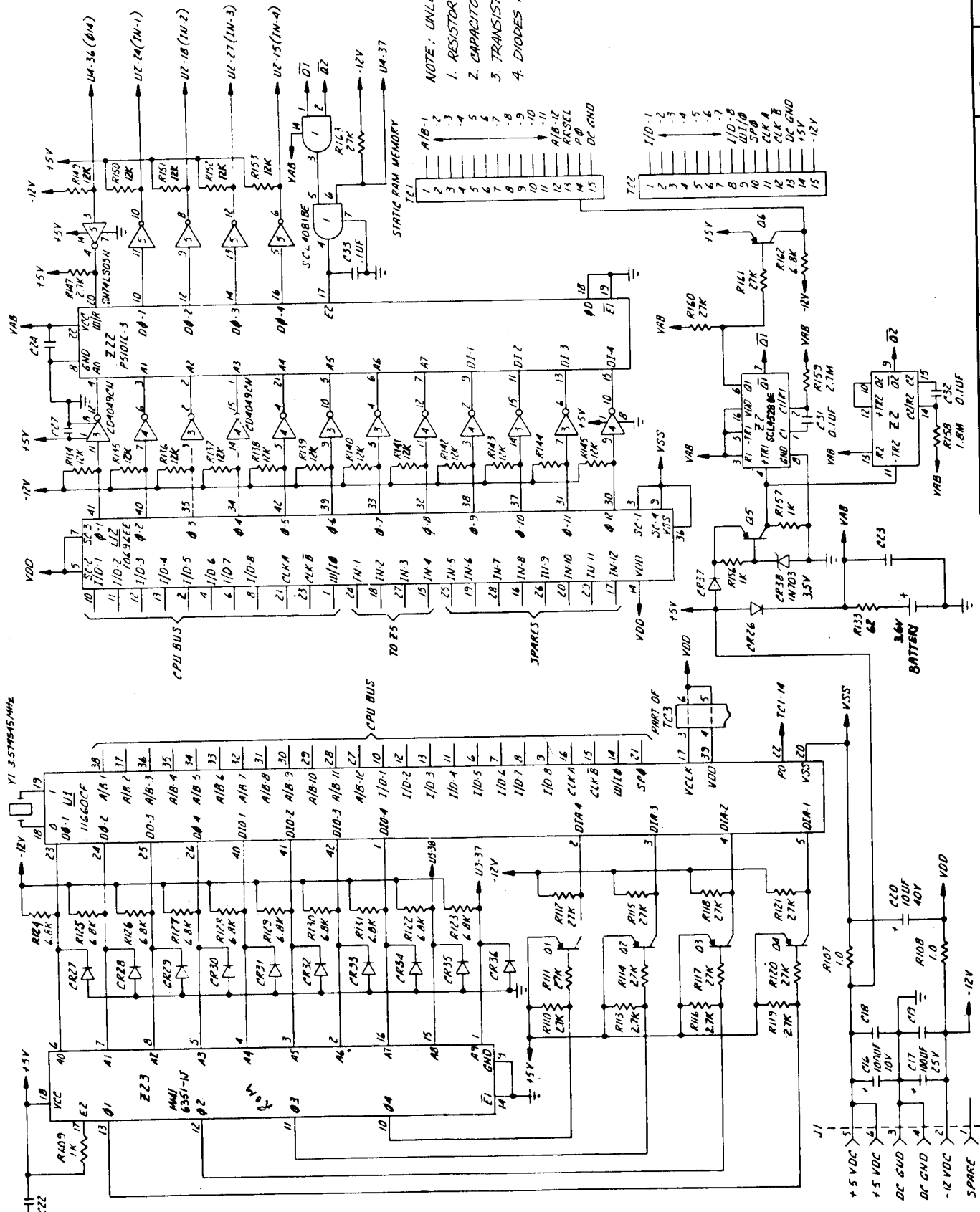
DC POWER FROM POWER SUPPLY



NOTE: UNLESS OTHERWISE SPECIFIED

1. RESISTORS ARE 1/2 W. ± 5%
2. VOLTAGES ARE DC AND WITH RESPECT TO GROUND.
3. ALL VOLTAGES ARE TYPICAL.

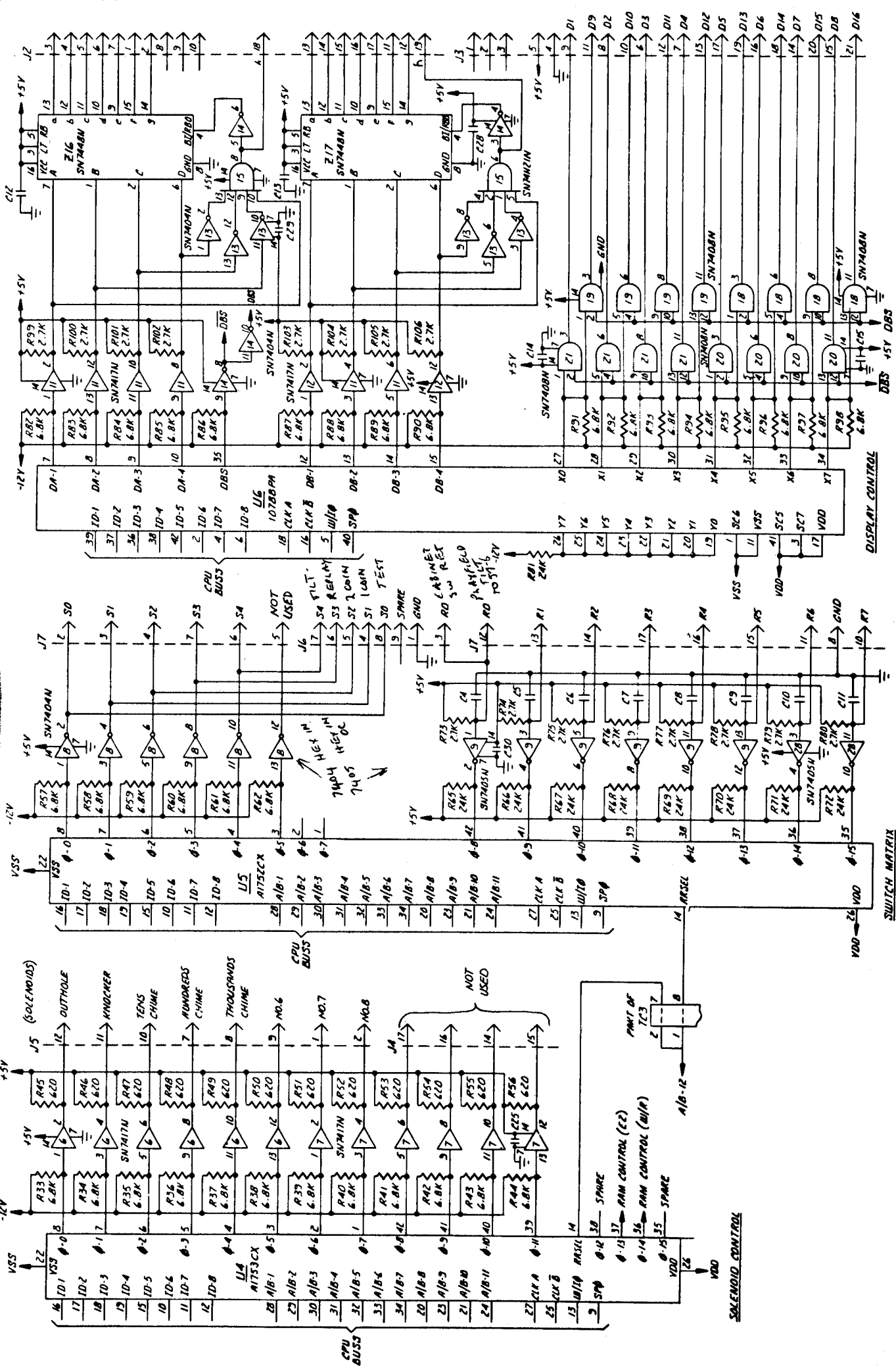
DO NOT SCALE DRAWING		SCALE	
TOLERANCES	MATERIAL	FINISH	
DECIMAL	HARDNESS	NOTE	
FRACTION	UNLESS OTHERWISE SPECIFIED		
ANGULAR			
UNLESS OTHERWISE SPECIFIED			
ISSUE/DATE	REVISIONS		
3	2-1-78 Revised		
2	1-18-78 Added Voltages		
1	1-16-78 R13 was 56 Ω		
D. GOTTLIEB & CO.		TITLE	
POWER SUPPLY SCHEMATIC		USED ON	
DRAWN		APPROVED DATE	
R.H.M.		1-9-78	
		B-18396	



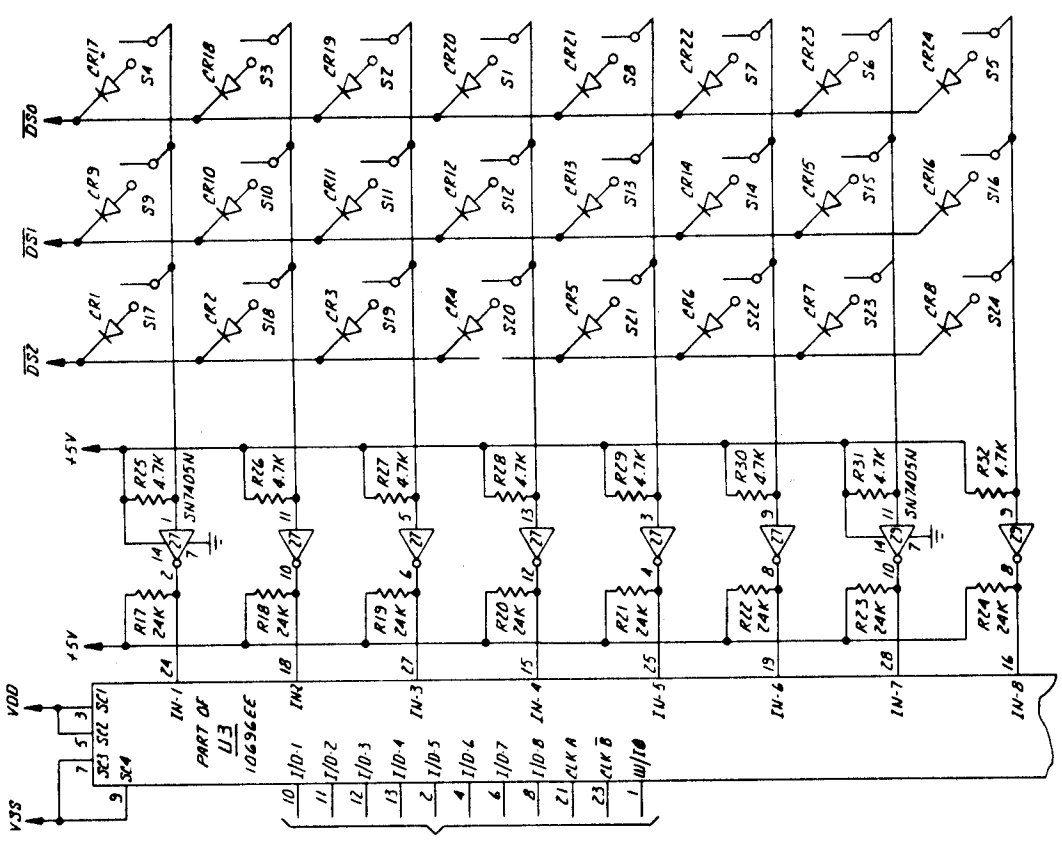
NOTE: UNLESS OTHERWISE SPECIFIED
 1. RESISTOR VALUES ARE IN OHMS ±5%, 1/4W
 2. CAPACITORS ARE .01UF # RATED 100V
 3. TRANSISTORS ARE MPS-ATO
 4. DIODES ARE 1N9148

D. GOTTLIEB & CO.	
TITLE	SCHEMATIC DIAGRAM-
USED ON	CONTROL BOARD
DRAWN	DATE
APPROVED	DATE
PB00-X101	

DO NOT SCALE DRAWING		SCALE
TOLERANCES:		MATERIAL
DECIMAL	FRACTION	HARDNESS
ANGULAR	UNLESS OTHERWISE SPECIFIED	FINISH
ISSUE DATE	REVISED	REVISIONS
1	2-178	

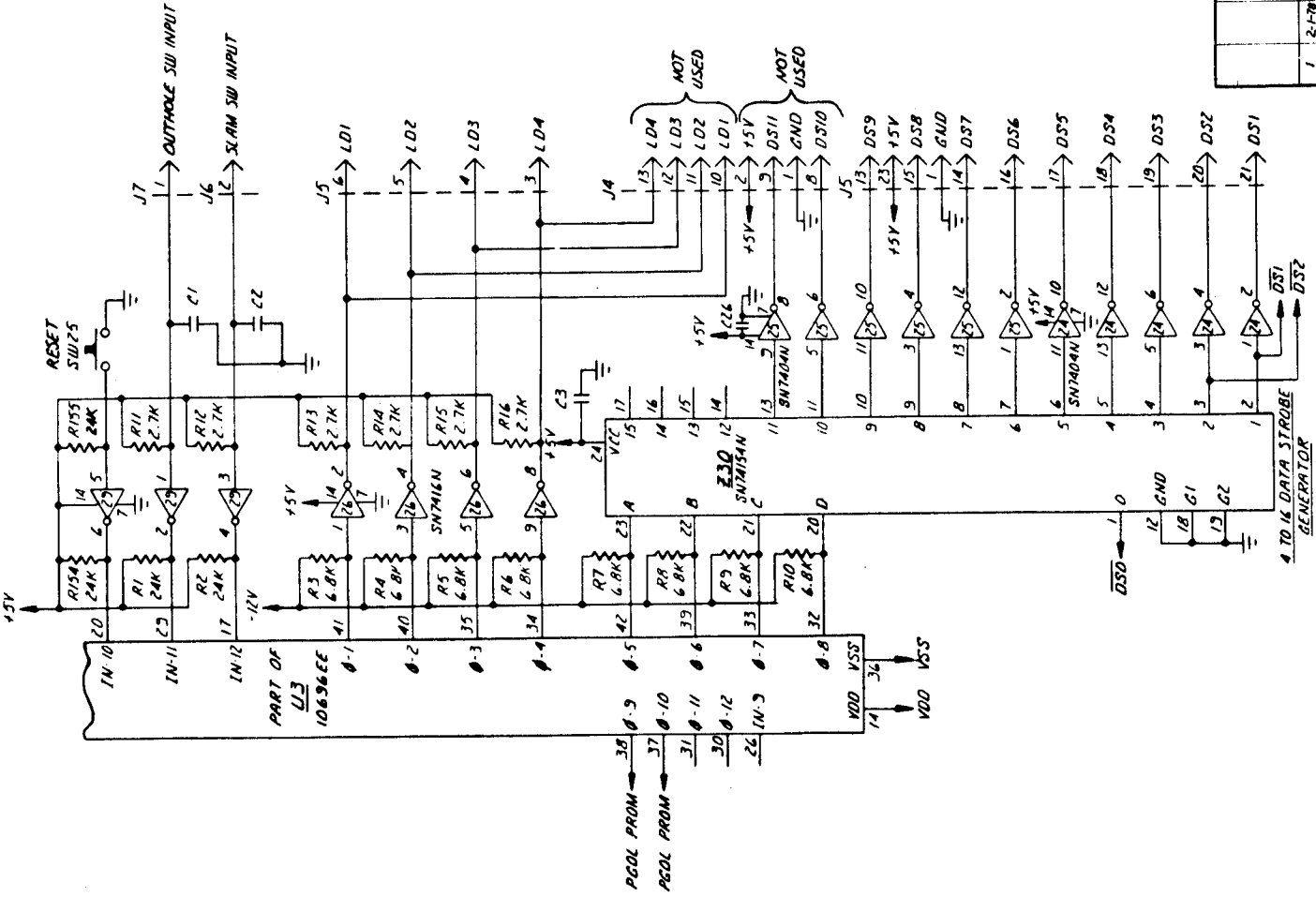


DO NOT SCALE DRAWING		SCALE
TOLERANCES	MATERIAL	HARDNESS
FRACTION	FINISH	
ANGULAR	UNLESS OTHERWISE SPECIFIED	
1	2-1-78	REVISED
		ISSUE DATE
		REVISIONS
D. GOTTLIEB & CO.		
TITLE SCHEMATIC DIAGRAM-		
USED ON CONTROL BOARD		
DRAWN		APPROVED DATE
PB800-X101		

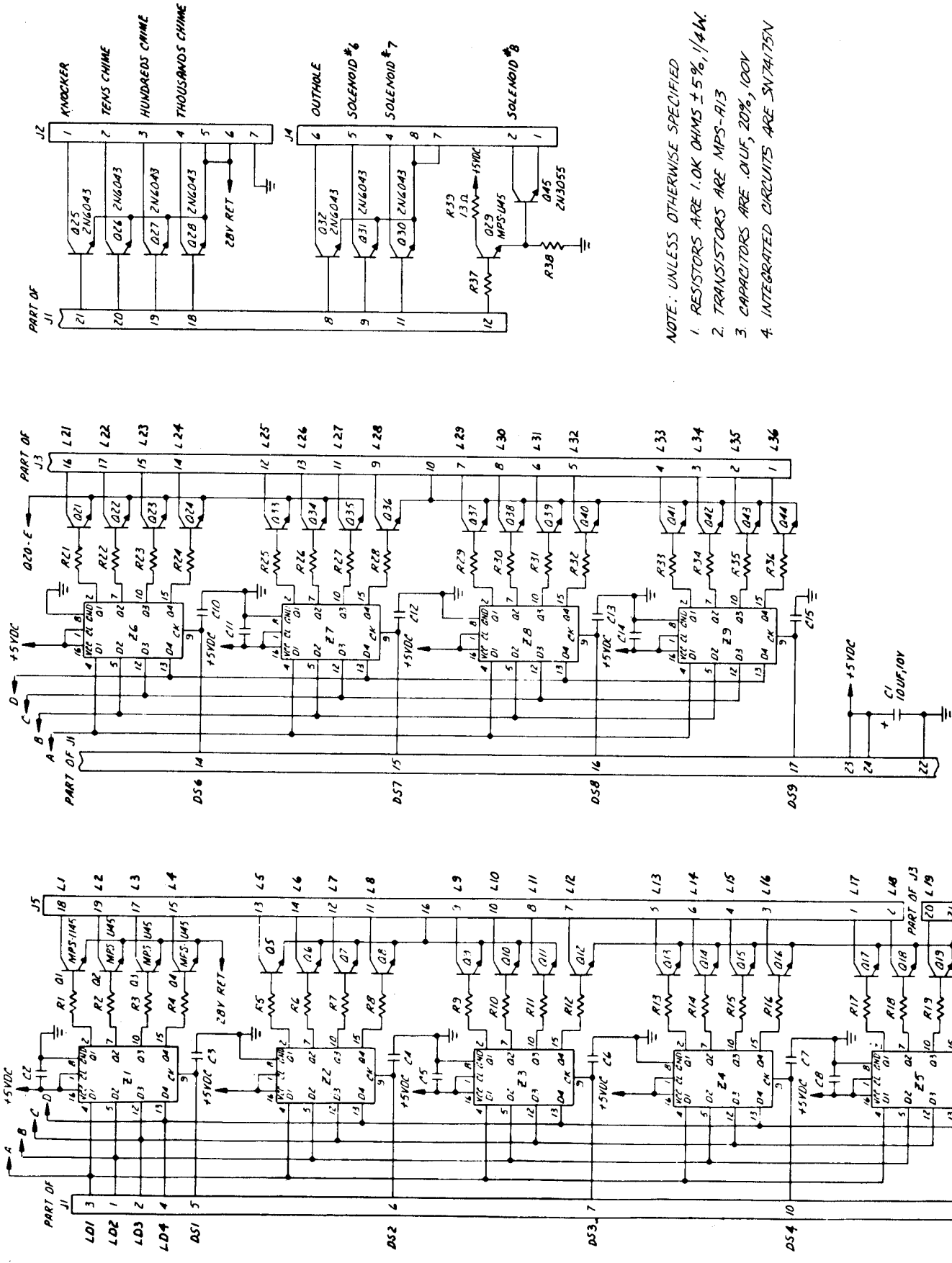


ADJUSTABLE PARAMETER MATRIX

LAMP 4 ARM CONTROL

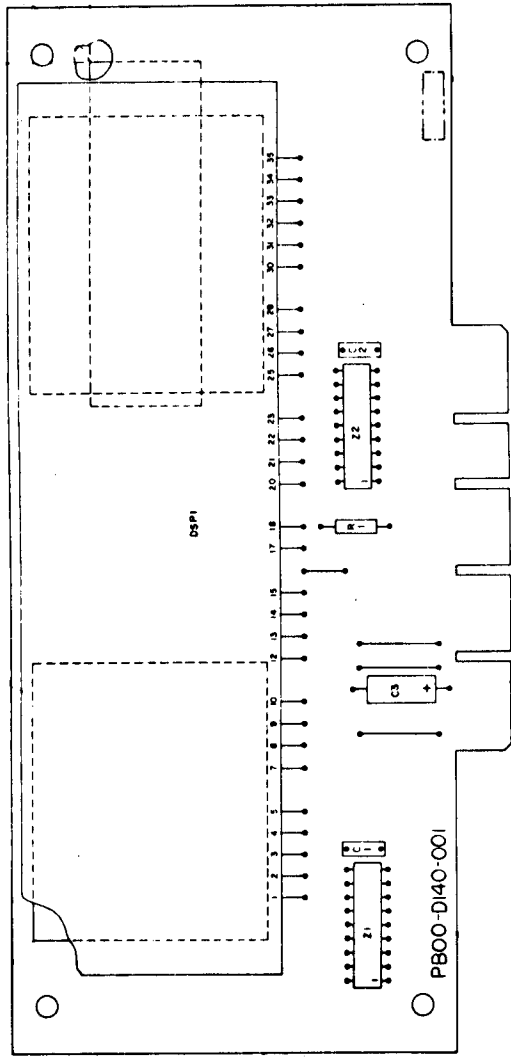
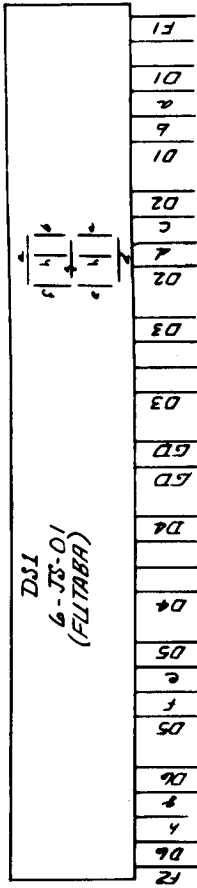
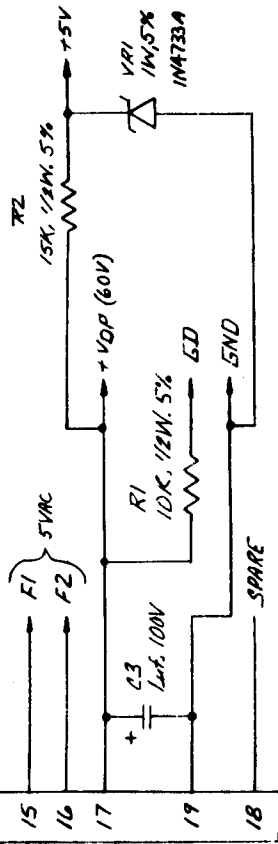
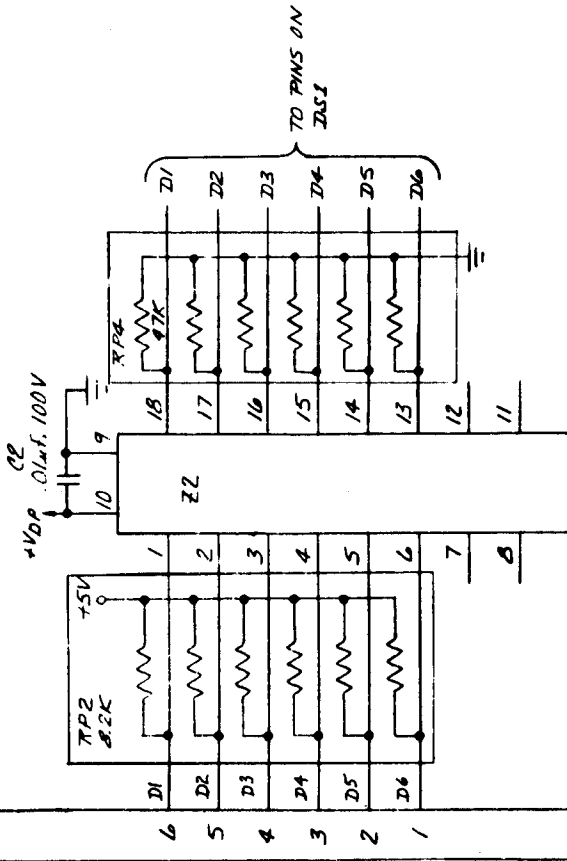
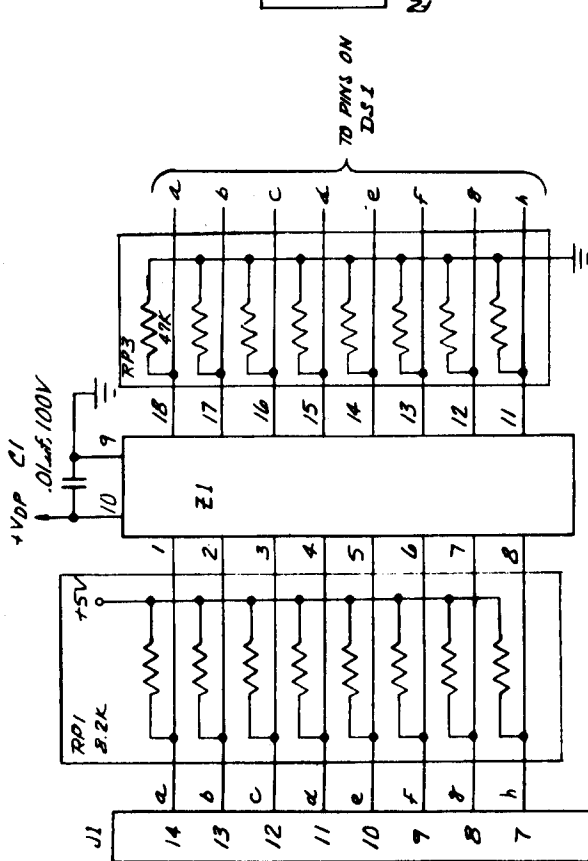


DO NOT SCALE DRAWING		SCALE
TOLERANCES ±		MATERIAL
DECIMAL	FRACTION	HARDNESS
ANGULAR	UNLESS OTHERWISE SPECIFIED	FINISH
ISSUE DATE	REVISIONS	NOTE
1	2-78	
D. GOTTLIEB & CO.		
TITLE SCHEMATIC DIAGRAM-		
USED ON CONTROL BOARD		
DRAWN	APPROVED DATE	
PB00-X101		



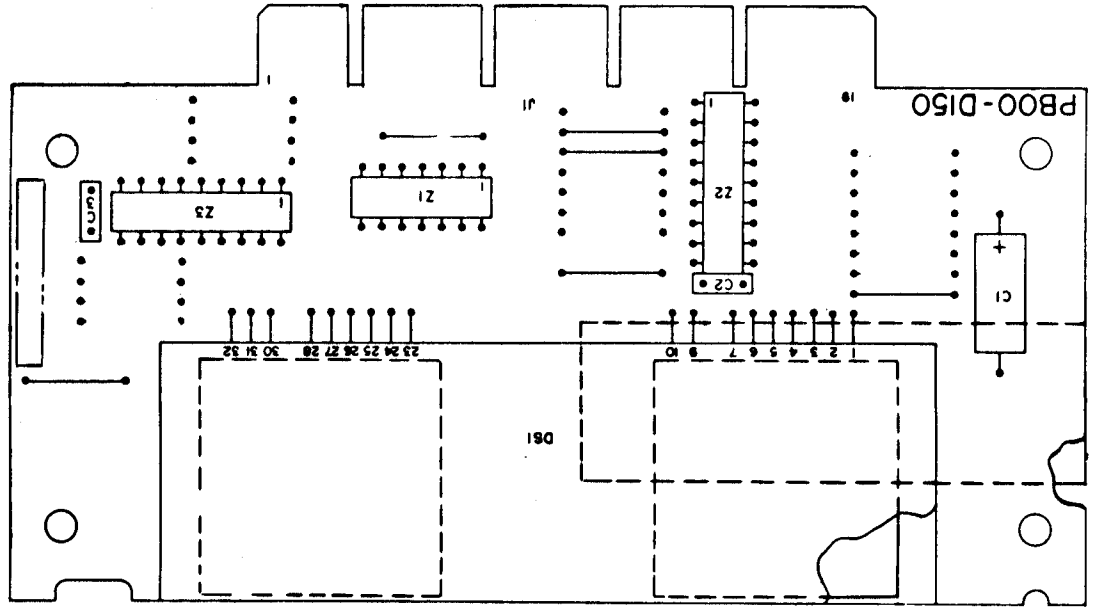
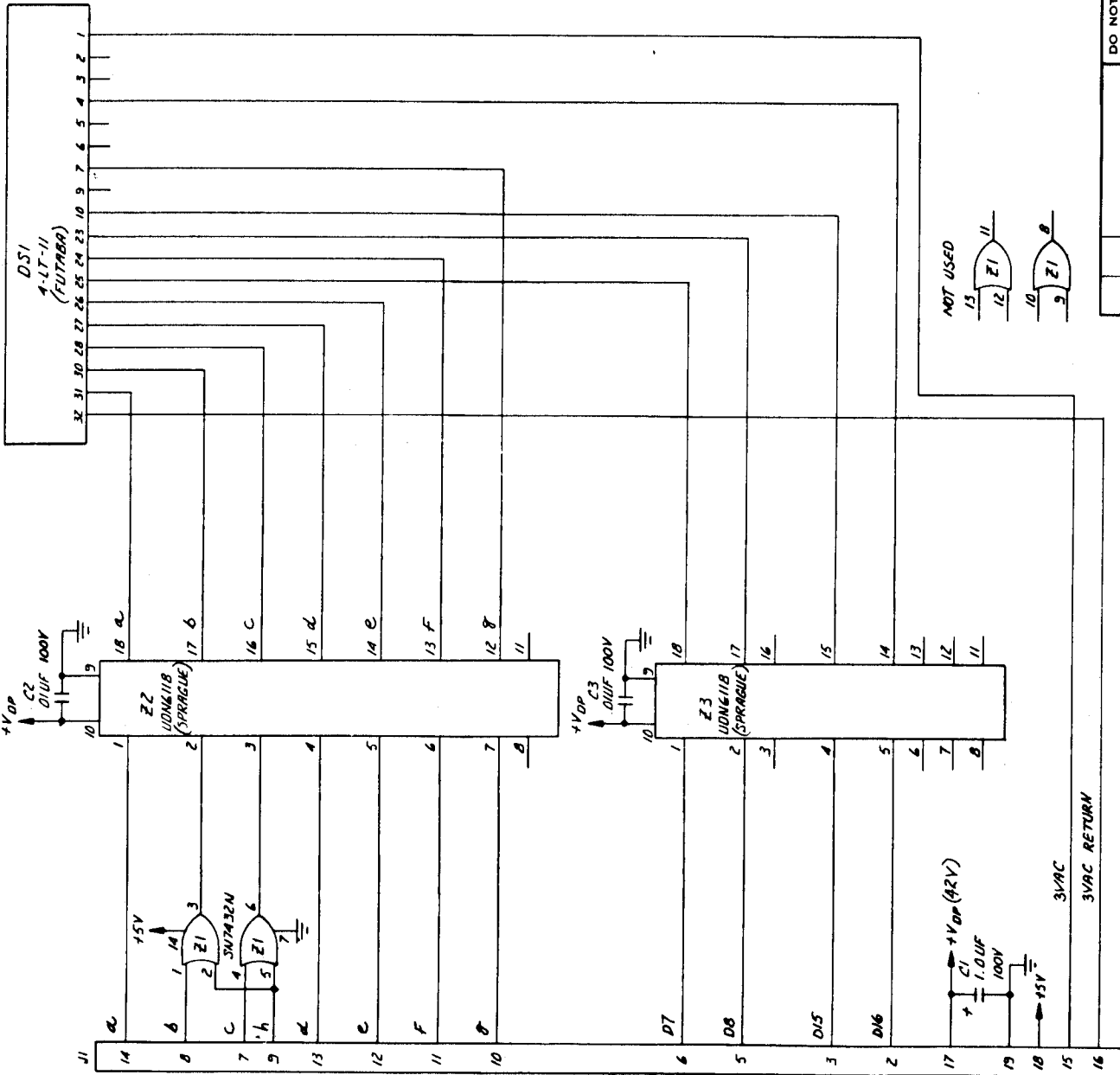
NOTE: UNLESS OTHERWISE SPECIFIED
 1. RESISTORS ARE 1.0K OHMS $\pm 5\%$, 1/4W.
 2. TRANSISTORS ARE .01UF, 20%, 100V
 3. CAPACITORS ARE .01UF, 20%, 100V
 4. INTEGRATED CIRCUITS ARE SN74175N

DO NOT SCALE DRAWING		SCALE	D. GOTTLIEB & CO.	
TOLERANCES:	MATERIAL		TITLE	SCHMATIC DIAGRAM
DECIMAL	HARDNESS		USED ON	MASTER DRIVER
FRACTION	FINISH		DRAWN	APPROVED DATE
ANGULAR	NOTE			PB00-X111
UNLESS OTHERWISE SPECIFIED				
ISSUE DATE	REVISED			
	REVISIONS			
1	2-178			



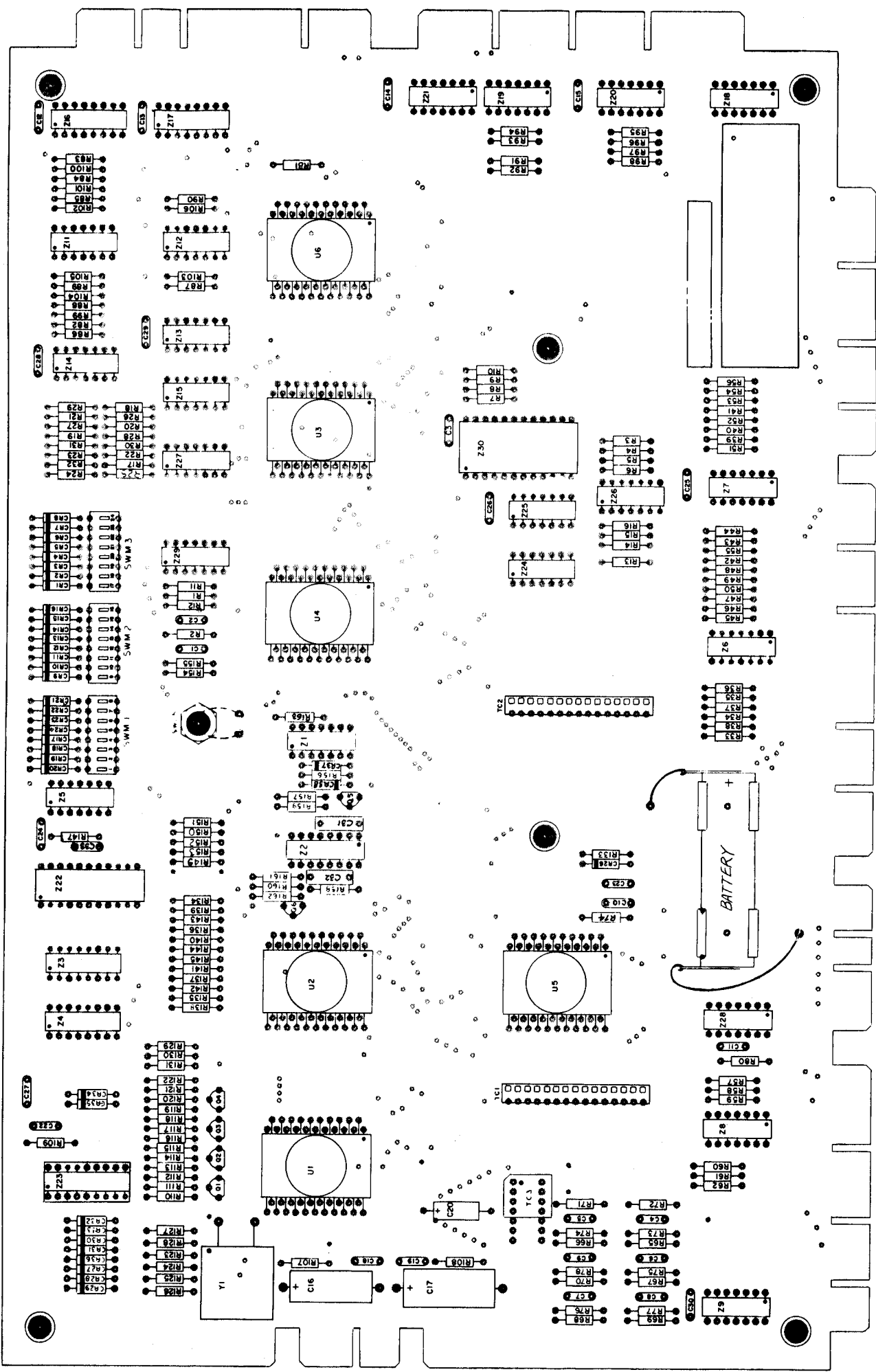
NOTE: UNLESS OTHERWISE SPECIFIED
 1. Z1 & Z2 ARE UDNG118A (SPRAGUE) - / ONLY;
 Z1 & Z2 ARE DI513 (DIONICS) - / ONLY.
 2. RP1, RP2, RP3, RP4, R2 & V1 ARE USED
 ON - / ASSY ONLY.

DO NOT SCALE DRAWING		SCALE	
TOLERANCES ±	MATERIAL	HARDNESS	FINISH
DECIMAL	FRACTION	ANGULAR	UNLESS OTHERWISE SPECIFIED
1	2-1-78	REVISED	REVISIONS
D. GOTTLIEB & CO.		TITLE	
SCHEMATIC DIAGRAM-		6 DIGIT DISPLAY	
USED ON		PB00-D140	
DRAWN		APPROVED	
DATE		DATE	
PB00-X141		PB00-X141	

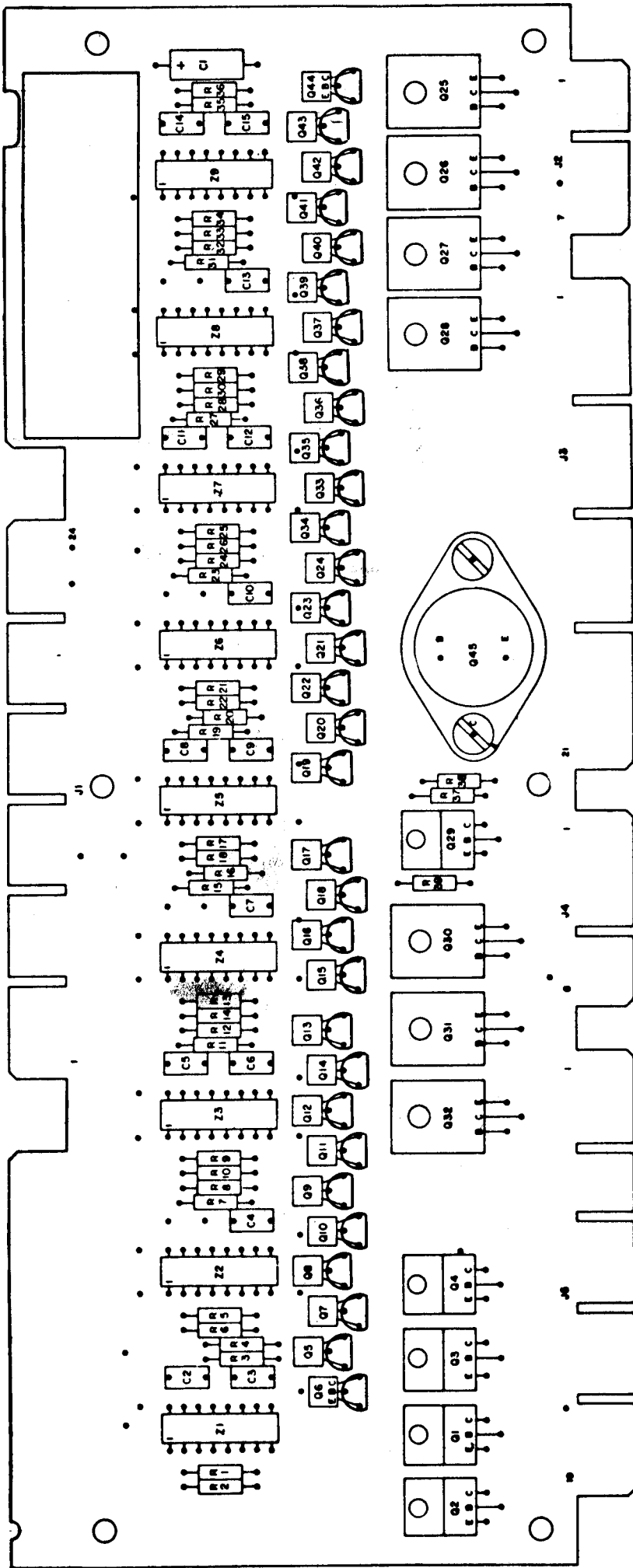


NOTE:
RESISTOR VALUES ARE IN
OHMS ± 5%, 1/4 W

DO NOT SCALE DRAWING		SCALE	D. GOTTLIEB & CO.	
TOLERANCES:	DECIMAL	MATERIAL	TITLE	
FRACTION	ANGULAR	HARDNESS	SCHEMATIC DIAGRAM -	
UNLESS OTHERWISE SPECIFIED		FINISH	4 DIGIT DISPLAY	
ISSUE DATE	REVISED	APPROVED DATE	USED ON	PB00-D150
			DRAWN	PB00-X151



DO NOT SCALE DRAWING		SCALE	D. GOTTLIEB & CO.	
TOLERANCES:		MATERIAL	TITLE	
DECIMAL	FRACTION	HARDNESS	SCHEMATIC DIAGRAM-	
ANGULAR	UNLESS OTHERWISE SPECIFIED	FINISH	CONTROL BOARD	
ISSUE DATE	REVISIONS	DRAWN	APPROVED	DATE
1 / 2-78				
				PB00-D100



DO NOT SCALE DRAWING		SCALE	D. GOTTLIEB & CO.	
TOLERANCES -		MATERIAL	TITLE	
DECIMAL	FRACTION	HARDNESS	SCHEMATIC DIAGRAM -	
ANGULAR	UNLESS OTHERWISE SPECIFIED	FINISH	MASTER DRIVER	
ISSUE DATE	REVISIONS	NOTE	USED ON	DRAWN
			APPROVED DATE	PB00-D110

