

486 -KVD

MAIN BOARD USER'S MANUAL

DOC. NO. : 12339
Rev. : C
Date : JULY 1993

Table of Contents

OVERVIEW	1
INTRODUCTION	1
SPECIFICATIONS	1
MOTHERBOARD LAYOUT	2
SYSTEM BLOCK DIAGRAM	3
MOTHERBOARD SETTINGS	5
CONNECTOR & JUMPER PINOUTS	5
JUMPER DESCRIPTION	6
CPU TYPE SELECTION	6
INT/EXT KEYBOARD SELECTION	6
CPU CLOCK SELECTION	7
VESA BUS CONNECTOR	7
SYSTEM MEMORY	11
MEMORY CONFIGURATION	11
CACHE CONFIGURING SIZE	12
AWARD BIOS SETUP	15
SYSTEM SETUP	15
STATUS CMOS SETUP	16
DAYLIGHT SAVING	17
LOAD SETUP DEFAULT	17
LOAD BIOS DEFAULTS	17
BIOS FEATURES SETUP	18
CHIPSET FEATURES SETUP	18
PASSWORD SETTING	19
PASSWORD DISABLED	19
EXITING SETUP	19

AMI BIOS SETUP	21
SYSTEM SETUP	21
STANDARD CMOS SETUP	22
ADVANCED CMOS SETUP	23
WRITE CMOS AND EXIT	24

HARD DISK SPECIFICATIONS	25
CONNER	25
MAXTOR	26
QUANTUM	26
SEAGATE	26
WESTERN DIGITAL	26

OVERVIEW

INTRODUCTION

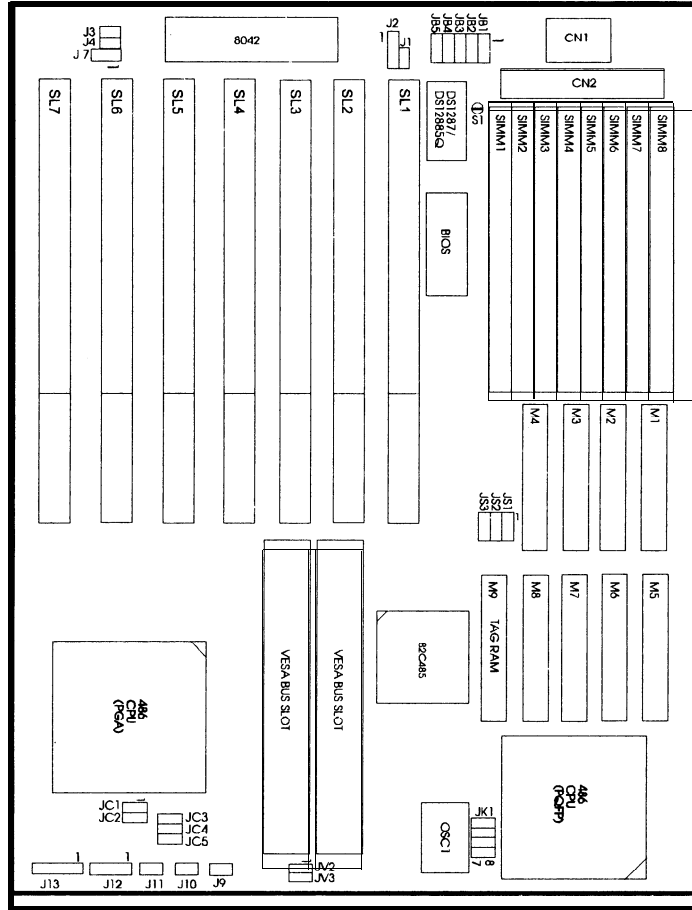
The **486-KVD** motherboard is a high performance motherboard, offering excellent features ideal for building advanced personal computers or workstations.

SPECIFICATIONS

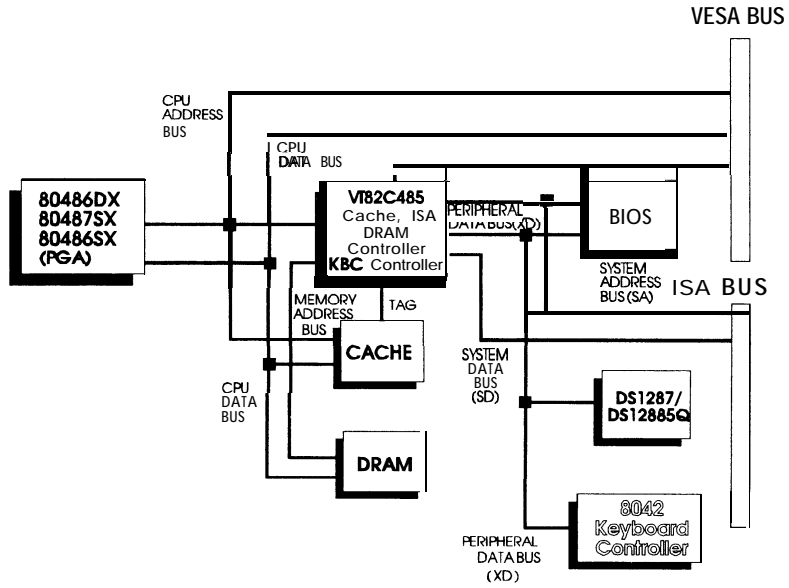
The 486-KVD motherboard comes with the following features:

- Intel **80486DX/80486DX2/80486SX/80487SX/P24T** microprocessor. Dual CPU in PQFP and PGA packages.
- VIA **VT82C485** 80486180386 PC/AT Chipset.
- Supports **64KB/128KB/256KB** of direct mapped write-back cache memory.
- Supports **1MB** up to 128MB of DRAM memory for 486 system, provides page mode DRAM operation.
- Shadow RAM.
- 64KB BIOS.
- Seven 16-bit ISA expansion slots.
- Supports two VESA BUS slots for LOCAL BUS master or LOCAL BUS slave.
- Real time clock/calendar.
- **VIA82C485** includes built-in 8042 keyboard controller.

MOTHERBOARD LAYOUT



SYSTEM BLOCK DIAGRAM



MOTHERBOARD SETTINGS

CONNECTOR & JUMPER PINOUTS

Connector	Function	Pin outs	Signal name
CN1	Keyboard connector	1 2 3 4 5	Keyboard clock Keyboard data No connection GND +5V
CN2	Power connector	1 2 3 4 5, 6, 7, 8 9 10, 11, 12	Power good +5V +12V -12V GND - 5v +5V
J2	External Battery Connector	1 2 3 4	Anode + NC NC Cathode -
J9	Turbo LED	1 2	v c c LED
J10	Turbo switch	1 2	GND Turbo signal
J11	Hardware reset	1 2	GND Reset signal
J12	Speaker connector	1 2 3 4	Speaker signal NC GND +5V
J13	Keylock & power LED	1 2 3 4 5	Power signal Spare GND Key lock GND

JUMPER DESCRIPTION

Jumper	Function	Open	Close
J1	2-3 Internal Battery 1-2 External Battery		
J4	Display type	Mono/EGA A / G A (d e f a u l t)	Color
J7	Password Clear# (For Award BIOS)		1-2
	Password Clear# (For AMI BIOS)		2-3
S1RTC Reset (For DS1287A o n l y)		Normal (dafault)	Reset

TABLE /NOTE: # REFERANCE PAGE 19

CPU TYPE SELECTION

CPU	486SX	486DX
JC1	2-3	1-2
JC2	2-3	1-2
JC3	OFF	ON
JC4	OFF	ON
JC5	FOR TEST ONLY	

INT/EXT KEYBOARD SELECTION

JUMPER	INTERNAL K/ B	EXTERNAL K/B
JB1	2-3 shorted	1-2 shorted
JB2	2-3 shorted	1-2 shorted
JB3	2-3 shorted	1-2 shorted
JB4	2-3 shorted	1-2 shorted
JB5	2-3 shorted	1-2 shorted
J3	open	close

CPU CLOCK SELECTION

JK1				
7-8	5-6	3-4	1-2	CLK2
0*	0	1*	0	40 MHZ
0	0	1	1	50 MHZ
0	1	0	0	80 MHZ
0	1	0	1	66.6 MHZ
0	1	1	0	66.6 MHZ
0	1	1	1	TEST
1	0	1	1	25 MHZ
1	1	0	0	40 MHZ
1	1	0	1	50 MHZ
1	1	1	0	33.3 MHZ
1	1	1	1	POWER DOWM

0 : closed, 1 : open

VESA BUS CONNECTOR

The motherboard provides two high-performance VESA bus connectors, SL15 and SL16, for use with VESA peripherals.

These connectors can be utilized for Local Bus Master and Local Bus Target .

The following lists give a pin assignment of SL15 and SL16.

“Side A” of the connector are for the pinouts on the board component side.

“Side B” of the connector are for the pinouts on the board solder side.

Connector	Side A - pins & pinouts		Side B - pins & pinouts	
SL15- Local Bus Master 0	01	DAT0 1	01	DAT00
	02	DAT03	02	DAT02
	03	GND	03	DAT04
	04	DAT05	04	DAT06
	05	DAT07	05	DAT08
	06	DAT09	06	GND
	07	DAT1 1	07	DAT10
	08	DAT13	08	DAT12
	09	DAT15	09	v e c
	10	GND	10	DAT14
	11	DAT17	11	DAT16
	12	v e c	12	DAT18
	13	DAT19	13	DAT20
	14	DAT21	14	GND
	15	DAT23	15	DAT22
	16	DAT25	16	DAT24
	17	GND	17	DAT26
	18	DAT27	18	DAT28
	19	DAT29	19	DAT30
	20	DAT3 1	20	v e c
	21	ADR30	21	ADR31
	22	ADR28	22	GND
	23	ADR26	23	ADR29
	24	GND	24	ADR27
	25	ADR24	25	ADR25
	26	ADR22	26	ADR23
	27	v e c	27	ADR21
	28	ADR20	28	ADR19
	29	ADR18	29	GND
	30	ADR16	30	ADR17
	31	ADR14	31	ADR15
	32	ADR12	32	v e c
	33	ADR10	33	ADR13
	34	ADR08	34	ADR1 1
	35	GND	35	ADR09
	36	ADR06	36	ADR07
	37	ADR04	37	ADR05
	38	WBACK#	38	GND
	39	BE0#	39	ADR03
	40	v e c	40	ARD02
	41	BE1#	41	NC
	42	BE2#	42	RESET#
	43	GND	43	D/C#
	44	BE3#	44	M/IO#
	45	ADS#	45	W/R#
	48	LRDY#	48	RDYRTN#
	49	LDEV0#	49	GND
	50	LREQ0#	50	IRQ9
	51	GND	51	BRDY#
	52	LGNT0#	52	BLAST#
	53	v e c	53	ID0
	54	ID2	54	ID1
	55	ID3	55	GND
	56	ID4	56	LCLKO
	57	LKEN#	57	v e c
	58	LEADS#	58	LBS 16#

Connector	Side A - pins & pinouts	Side B - pins & pinouts
SL16 - Local Bus Master 1	01 DAT0 1	01 DAT00
	02 DAT03	02 DAT02
	03 GND	03 DAT04
	04 DAT05	04 DAT06
	05 DAT07	05 DAT08
	06 DAT09	06 GND
	07 DAT11	07 DAT10
	08 DAT13	08 DAT12
	09 DAT15	09 v c c
	10 GND	10 DAT14
	11 DAT17	11 DAT16
	12 v c c	12 DAT18
	13 DAT19	13 DAT20
	14 DAT2 1	14 GND
	15 DAT23	15 DAT22
	16 DAT25	16 DAT24
	17 GND	17 DAT26
	18 DAT27	18 DAT28
	19 DAT29	19 DAT30
	20 DAT3 1	20 v c c
	21 ADR30	21 ADR31
	22 ADR28	22 GND
	23 ADR26	23 ADR29
	24 GND	24 ADR27
	25 ADR24	25 ADR25
	26 ADR22	26 ADR23
	27 v c c	27 ADR21
	28 ADR20	28 ADR19
	29 ADR18	29 GND
	30 ADR16	30 ADR17
	31 ADR14	31 ADR15
	32 ADR12	32 v c c
	33 ADR10	33 ADR13
	34 ADR08	34 ADR11
	35 GND	35 ADR09
	36 ADR06	36 ADR07
	37 ADR04	37 ADR05
	38 WBACK#	38 GND
	39 BE0#	39 ADR03
	40 v c c	40 ADR02
	41 BE1#	41 NC
	42 BE2#	42 RES ET#
	43 GND	43 D/C#
	44 BE3#	44 M/IO#
	45 ADS#	45 W/R#
	48 LRDY#	48 RDYRTN#
	49 LDEV1#	49 GND
	50 LREQ1#	50 IRQ9
	51 GND	51 BRDY#
	52 LGNT1#	52 BLAST#
	53 v c c	53 ID0
	54 ID2	54 ID1
	55 ID3	55 GND
	56 ID4	56 LCLK1
	57 LKEN#	57 v c c
	58 LEADS#	58 LBS 16#

Jumpers JV2 and JV3 give more information on settings of the system board and the VL-BUS controller.

Change the default "High Speed Write" value if the installed VL-BUS controller needs high speed zero wait state write transfers.

High Speed Write	JV3 setting
0 wait write (default setting)	2-3 shorted
1 wait write	1-2 shorted

The CPU Speed jumper settings follow the maximum clock speed of the CPU in use. Adjust the setting according to your CPU clock speed.

CPU Speed	JV2 setting
<=33 MHz	2-3 shorted
> 33 MHz	1-2 shorted

SYSTEM MEMORY

MEMORY CONFIGURATION

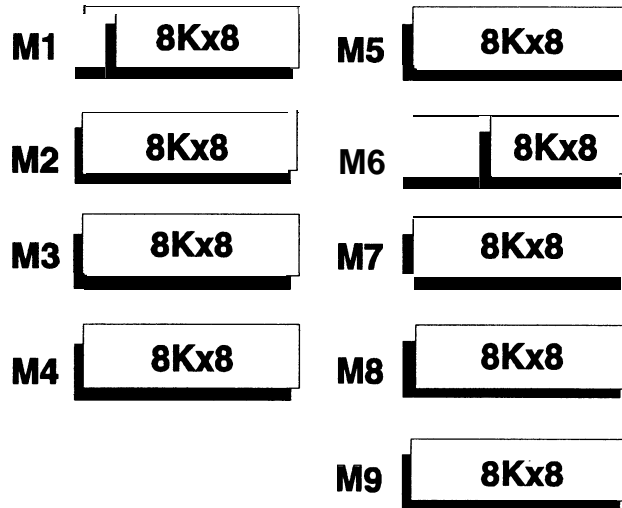
486 System Memory Spec	Bank 0	Bank 1
1MB	256K x 4	
2MB	256K x 4	256K x 4
4MB	1M x 4	
5MB	256K x 4	1M x 4
	1M x 4	256K x 4
8MB	1M x 4	1M x 4
16MB	4M x 4	
17MB	256K x 4	4M x 4
	4M x 4	256K x 4
20MB	1M x 4	4M x 4
	4M x 4	1M x 4
32MB	4M x 4	4M x 4
64MB	16M x 4	
65MB	256K x 4	16M x 4
	16M x 4	256K x 4
68MB	1M x 4	16M x 4
	16M x 4	1M x 4
80MB	4M x 4	16M x 4
	16M x 4	4M x 4
128MB(Max.)	16M x 4	16M x 4

CACHE CONFIGURING SIZE

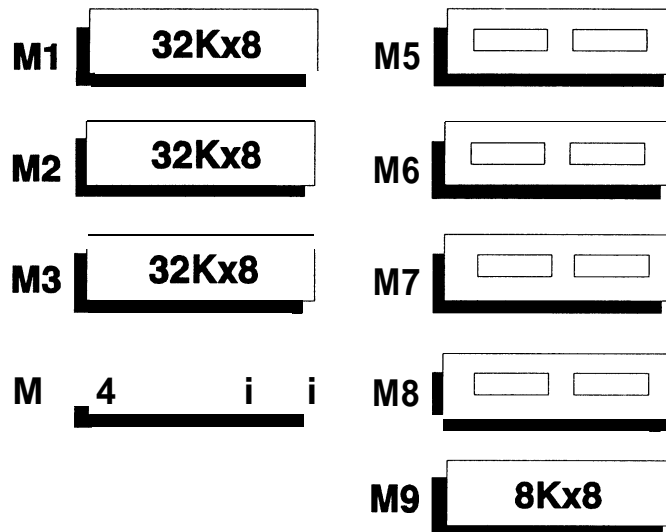
The cache size of 486-KVD motherboard is jumper-selectable. **M1-M4** are assigned as Bank 0 and **M6-M9** are assigned as Bank 1.

	64K	128K	256K
BANK0	8Kx8	32Kx8	32Kx8
BANK1	8Kx8	EMPTY	32Kx8
TAG RAM (M9)	8Kx8	8Kx8	32Kx8
JS1	I-2 shorted	1-2 shorted	2-3 shorted
JS2	I-2 shorted	2-3 shorted	2-3 shorted
JS3	I-2 shorted	2-3 shorted	1-2 shorted

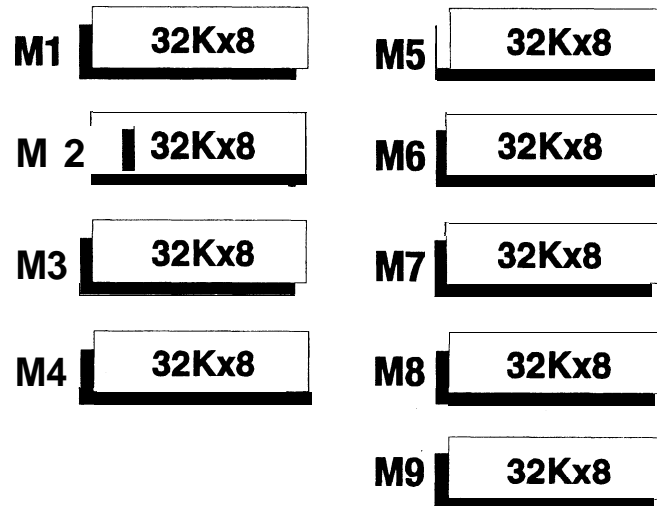
64Kbytes Direct Mapped Cache



128Kbytes Direct Mapped Cache



256Kbytes Direct Mapped Cache



AWARD BIOS SETUP

SYSTEM SETUP

A SETUP program, built into the system BIOS, is stored in the CMOS RAM that allows the configuration settings to be changed. This program is executed when:

- (1) User changes system configuration.
- (2) User changes system backup battery.
- (3) System detects a configuration error and asks the user to run the SETUP program.

After power-on RAM testing, the message below appears:

“TO ENTER SETUP BEFORE BOOT, PRESS CTRL-ALT-ESC” or **** key.

Press **“CTRL+ALT+ESC”** or **** to run SETUP. The screen below appears:

ROM ISA BIOS (VIA00000) CMOS SETUP UTILITY AWARD SOFTWARE, INC	
STANDARD CMOS SETUP	PASSWORD SETTING
BIOS FEATURES SETUP	IDE HDD AUTO DETECTION
CHIPSET FEATURES DETUP	HDD LOW LEVEL FORMAT
LOAD BIOS DEFAULTS	SAVE & EXIT SETUP
LOAD SETUP DEFAULTS	EXIT WITHOUT SAVE
ESC : Quit F10 : Save & Exit	↑ ↓ ← → : Select Item (Shift)F2 : Color
Time, Date, Hard Disk Type	

Use ↑ or ↓ or → or ← key to select and press **“ENTER”** to run the select program.

STANDARD CMOS SETUP

The Standard CMOS Setup has 10 items for setting.

Each item may have one or more option settings.

Use the arrow keys to highlight the item and then use the **<PgUp>**, or

<PgDn> keys to select the value you want in each item.

ROM ISA BIOS (VIAOOOOO)						
STANDARD CMOS SETUP						
AWARD SOFTWARE, INC.						
Date (mm: dd: yy)	:	Sat, May 15 1993				
Time (hh: mm: ss)	:	12 : 37 : 05				
DAYLIGHT SAVING	:	Disabled				
			CYLS.	HEADS	PRECOMP	LANDZONE SECTORS
Drive C: User (81mb)	.		611	16	0	0 17
Drive D: None (Omb)	.		0	0	0	0 0
Drive A:	:	1.2M, 5.25 in				
Drive B:	:	1.44M, 3.5 in				
Video	:	EGA/VGA				
Halt on	:	All Errors				
					Base Memory	: 640K
					Extended Memory	: 7168K
					Expanded Memory	: OK
					Other Memory	: 384K
					Total Memory	: 8192K
Esc : Quit			↑↓→← : Select Item		PU/PD/+/-:Modify	
F1: Help			(Shift)F2 : Change Color		F3 : Toggle Calendar	

The standard CMOS Setup screen is displayed above.

System BIOS automatically detects memory size, thun no changes are necessary.

Press **"F3"** function key to show the calender.

DAYLIGHT SAVING

When enabled, this field allows user to Set the clock one hour in advance.

When disabled, it subtracts one hour when standard time begins.

After the changes are made, press "ESC" to return to main menu.

LOAD SETUP DEFAULT

Selecting this field loads the factory defaults for BIOS and CHIPSET FEATRUES which the system automatically detects.

LOAD BIOS DEFAULT

BIOS defaults contain the most appropriate values of the systemparameter that allows to minimum system performance.

The OEM manufacturer may change the defaults through MODBINbefore the binary image burn into the ROM.

BIOS FEATURES SETUP

ROM ISA BIOS (VIA00000) BIOS FEATURES SETUP AWARD SOFTWARE, INC.			
Virus Warning	: Enabled	System BIOS Shadow	: Enabled
CPU Internal Cache	: Enabled	Video BIOS Shadow	: Enabled
External Cache	: Enabled	C8000-CBFFF Shadow	: Disabled
Quick Power On Self Test	: Disabled	CC000-CFFF Shadow	: Disabled
Boot Sequence	: A, C	D000-D3FFF Shadow	: Disabled
Boot Up Floppy Seek	: Enabled	D4000-D7FFF Shadow	: Disabled
Boot Up Numlock Status	: On	D8000-DBFFF Shadow	: Disabled
Boot UP System Speed	: High	DC000-DFFF Shadow	: Disabled
IDE HDD Block Mode	: Disabled	E0000-E3FFF Shadow	: Disabled
Gate A20 Option	: Fast	E4000-E7FFF Shadow	: Disabled
Typematic Rate Setting	: Disabled	E8000-EBFFF Shadow	: Disabled
Typematic Rate (Chars/Sec)	: 6	EC000-EFFF Shadow	: Disabled
Typematic Delay (Msec)	: 250		
S ecurity Option	: Setup		
		ESC : Quit ↑↓→←:Select Item F1 : H elp PU/PD/+/- : M odify F5 : O ld Values (Shift) F2 : C olor F6 : L oad BIOS Defaults F7 : L oad Setup Defaults	

CHIPSET FEATURES SETUP

ROM ISA BIOS (VIA00000) BIOS FEATURES SETUP AWARD SOFTWARE, INC.			
ISA command delay	: Normal		
ISA wait state	: Normal		
IO recovery time	: Disabled		
Extended ALE	: Disabled		
Decoupled refresh	: Enabled		
Relocate 25 6K/384 K	: Disabled		
Video BIOS Cacheable	: Enabled		
System BIOS Cacheable	: Enabled		
DRAM Timing Control	: Fast		
Cache Timing Control	: Turbo		
		ESC : Quit ↑↓→←:Select Item F1 : H elp PU/PD/+/- : M odify F5 : O ld Values (Shift) F2 : C olor F6 : L oad BIOS Defaults F7 : L oad Setup Defaults	

Moving around The BIOS and CHIPSET FEATURE SETUP programs shown above work the same way as moving around the standard CMOS SETUP program. Users are not encouraged to run the BIOS and CHIPSET FEATURES SETUP programs.

Your system should have been fine-tuned before shipping. Improper SETUP may cause the system to fail, consult your dealer before making any changes.

PASSWORD SETTING

When you select this function, you can create a password.

Type YOUR password up to eight characters and press **<Enter>**.

You will be asked to confirm the password.

Type the password again and press **<Enter>**.

You may also press **<Esc>** to abort the selection and not enter a password.

To disable password, press **<Enter>** when you are prompted to enter password.

A message appears, confirming the password is disabled.

When the password is disabled, the system boot and you can enter Setup freely.

SECURITY OPTION

If you select **System** under this field, you will be prompted for the password every time system is rebooted or any time you try to enter SETUP.

If you select **SETUP**, you will be prompted only when you try to enter SETUP.

CLEAR PASSWORD

If you forget your password, turn off the system power first and remove the system unit cover. Locate Jumper J7 and cap it.

Turn the system power on and the screen will display the message below:

PASSWORD IS SET DISABLED
PLEASE REMOVE JUMPER (J7) BEFORE SETTING UP NEW
PASSWORD

This message indicates that the password is cleared.

Remove jumper J7 and reset the system.

At this point, you will not be asked for the password to enter SETUP.

EXITING SETUP

ROM ISA BIOS (VIA00000) CMOS SRTUP UTILITY AWARD SOFTWARE, INC.	
STANDARD CMOS SETUP	PASSWORD SETUP
BIOS FEATURES SETUP	IDE HDD AUTO DETECTION
CHIPSET FEATURES SETUP	HDD LOW LEVEL FORMAT
LOAD SETUP DEFAULT	SAVE to CMOS and EXIT (Y/N)? Y
	ETUP SAVING
ESC : Quit	↑↓→←: S el ect Item
F10 : Save & Exit Setup	(Shift)F2 : Change Color
SAVE DATA TO CMOS &EXIT SETUP	

After you have made changes under SETUP, press **"ESC"** to return to the main menu.

Move cursor to "SAVE & EXIT SETUP" or press **"F10"** and then press **"y"** to change the CMOS SETUP.

If you didn't change anything, press "ESC" again or move cursor to "EXIT WITHOUT SAVING" and press **"y"**, to retain the SETUP settings.

AM1 BIOS SETUP

SYSTEM SETUP

A SETUP program has been built into the system BIOS so that configurations stored in the CMOS RAM can be changed. This program is executed when:

- (1) User changes system configuration.
- (2) User changes system backup battery.
- (3) System detects a configuration error and asks the user to run the SETUP program.

After power-on RAM testing, the message below appears:

“Press if you want to run SETUP.”

Press “DEL” to run setup or do nothing to bypass.

If the “DEL” key pressed, the following screen is displayed:

AM1 BIOS SETUP PROGRAM - BIOS SETUP UTILITIES (C) 1992 American Megatrends Inc., All Rights Reserved	
<table border="1"><tr><td>STANDARD CMOS SETUP</td></tr></table> ADVANCED CMOS SETUP AUTO CONFIGURATION WITH BIOS DEFAULTS AUTO CONFIGURATION WITH POWER-ON DEFAULTS CHANGE PASSWORD AUTO DETECT HARD DISK HARD DISK UTILITY WRITE TO CMOS AND EXIT DO NOT WRITE TO CMOS AND EXIT	STANDARD CMOS SETUP
STANDARD CMOS SETUP	
Standard CMOS Setup for Changing Time, Date, Hard Disk Type, etc.	
ESC : Exit ↓→↑Sel F2/F3 : Color F10 : Save & Exit	

Use ↓ and ↑ keys to select and press “Enter” to run the selected program.

STANDARD CMOS SETUP

AMIBIOS SETUP PROGRAM - STANDARD CMOS SETUP																																																								
(C) 1992 American Megatrends Inc., All Rights Reserved																																																								
Date (m&date/year)	: Fri, Dec 11 1992	Base memory	: 640 KB																																																					
Time (hour/min/sec)	: 11 : 32 : 03	Ext. memory	: 3072 KB																																																					
Hard disk C: Type	: 17	Cyl n	Head	WPcom	LZone	Sect	Size																																																	
Hard disk D: Type	: Not Installed	977	5	300	977	17	41 MB																																																	
Floppy drive A:	: 1.2MB, 5 1/4"	<table border="1"><thead><tr><th>Sun</th><th>Mon</th><th>Tue</th><th>Wed</th><th>Thu</th><th>Fri</th><th>Sat</th></tr></thead><tbody><tr><td>29</td><td>30</td><td>1</td><td>2</td><td>3</td><td>4</td><td>5</td></tr><tr><td>6</td><td>7</td><td>8</td><td>9</td><td>10</td><td>11</td><td>12</td></tr><tr><td>13</td><td>14</td><td>15</td><td>16</td><td>17</td><td>18</td><td>19</td></tr><tr><td>20</td><td>21</td><td>22</td><td>23</td><td>24</td><td>25</td><td>26</td></tr><tr><td>27</td><td>28</td><td>29</td><td>30</td><td>31</td><td>1</td><td>2</td></tr><tr><td>3</td><td>4</td><td>5</td><td>6</td><td>7</td><td>8</td><td>9</td></tr></tbody></table>						Sun	Mon	Tue	Wed	Thu	Fri	Sat	29	30	1	2	3	4	5	6	7	8	9	10	11	12	13	14	15	16	17	18	19	20	21	22	23	24	25	26	27	28	29	30	31	1	2	3	4	5	6	7	8	9
Sun	Mon							Tue	Wed	Thu	Fri	Sat																																												
29	30							1	2	3	4	5																																												
6	7							8	9	10	11	12																																												
13	14	15	16	17	18	19																																																		
20	21	22	23	24	25	26																																																		
27	28	29	30	31	1	2																																																		
3	4	5	6	7	8	9																																																		
Floppy drive B:	: Not Installed																																																							
Primary display	: VGA/PGA/EGA																																																							
Keyboard	: Installed																																																							
Esc : Exit ↓→↑ Select F2/F3 : Color PU/PD : Modify																																																								

The SETUP program is completely menu driven.

Use the arrow keys to select an entry; "PgUp"/"PgDn" keys to change an entry; and "Esc" key to exit.

Help messages are displayed in a window on the screen when "Alt+F1" keys are pressed.

The standard CMOS SETUP screen is shown above.

System BIOS automatically detects memory size, thus no changes are necessary.

After the changes are made, press "Esc" to exit.

ADVANCED CMOS SETUP

AM BIOS SETUP PROGRAM - ADVANCED CMOS SETUP (C) 1992 American Megatrends Inc., All Rights Reserved			
Typematic Rate Programming : Disabled Typematic Rate Delay (msec) : 500 Typematic Rate (Chars/Sec) : 15 Above 1 MB Memory Test : Disabled Memory Test Tick Sound : Enabled Hit Message Display : Enabled Hard Disk Type 47 RAM Area : 0:300 Wait For <F1> If Any Error : Enabled System Boot Up Num Lock : On Numeric Processor Test : Enabled Weitek Processor : Absent Floppy Drive Seek At Boot : Enabled System Boot Up Sequence : A, C System Boot Up CPU Speed : High External Cache Memory : Enabled Internal Cache Memory : Enabled Fast Gate A20 Option : Disabled Password Checking Option : Setup Video ROM Shadow COOO, 32K : Enabled	Adaptor ROM Shadow C800, 32K : Disabled Adaptor ROM Shadow D000, 32K : Disabled Adaptor ROM Shadow D800, 32K : Disabled Adaptor ROM Shadow E000, 64K : Disabled BootSector Virus Protection : Enabled BIOS Cacheable Option : Enabled Video Cacheable Option : Enabled 256KRelecate Option : Disabled ISA Bus Command Delay : Disabled ISA Slave Wait States : 4 W/S I/O Recovery Time : Disabled Extended ALE : Disabled Decouple Refresh : Enabled Fast A20 Port 92H : Disabled AUTO Config Option : Enabled DRAM Speed Select : 0 W/S Bus Clock Rate Select : CLK2/1.5 Cache Read Cycle Select : 0 W/S Cache Write Cycle Select : 0 W/S		
ESC: Exit ↓→↑Sel (Ctrl) Pu/Pd:Modify F1: Help F2/F3: Color F5: Old Values F6: BIOS Setup Defaults F7: Power-on Defaults <div style="float: right; border: 1px solid black; border-radius: 50%; padding: 5px; margin-top: 5px;"> 3/1 4/1 </div>			

Moving around the Advanced CMOS Setup program shown above works in the same way as moving around the standard CMOS setup.

Users are not encouraged to run the Advanced CMOS setup program.

Your system should have been fine-tuned before shipping.

Improper SETUP may cause the system to fail.

Consult your dealer before making any changes.

WRITE TO CMOS AND EXIT

After making the necessary change under SETUP, press "**ESC**" to return to the main menu, move cursor to "**Write to CMOS and Exit**", and press "**y**" to change the CMOS SETUP.

If no change were made, press "**ESC**" again and press "**y**", to retain the CMOS settings.

AMI BIOS SETUP PROGRAM - BIOS SETUP UTILITIES (C) 1992 American Megatrends Inc., All Rights Reserved
STANDARD CMOS SETUP ADVANCED CMOS SETUP AUTO CONFIGURATION WITH BIOS DEFAULTS AUTO CONFIGURATION WITH POWER-ON DEFAULTS CHANGE PASSWORD
Write to CMOS and Exit (Y/N) ? Y 1
Write the settings to the CMOS and Exit
ESC : Exit ↓→↑Sel F2/F3 : Color F10 : Save & Exit

HARD DISK SPECIFICATIONS

CONNER

MODEL	CAPACITY	CYLINDER	HEAD	SECTOR
CP-30084	85MB	526	8	39
CP-30084E	85MB	526	8	39
CP-30104	120MB	726	8	39
CP30104H	240MB	726	8	39
CP-30174	170MB	903	8	46
CP-30174E	170MB	903	8	46
CP-30204	200MB	683	16	38
CP-30204F	200MB	683	16	38
CP-30254	251MB	895	10	55
CP-3364	360MB	702	16	63
CP-3544	544MB	1024	16	63

MAXTOR

MODEL	CAPACITY	CYLINDER	HEAD	SECTOR
7120A	120MB	1.023	14	17
7170A	170MB	984	10	34
7213A	213MB	683	16	38
7245A	245MB	967	16	31
7345A	345MB	790	15	57

QUANTUM

MODEL	CAPACITY	CYLINDER	HEAD	SECTOR
LPS80AT	80MB	611	16	17
LPS1 05AT	105MB	755	16	17
LPS1 20AT	120MB	901	5	53
LPS240AT	240MB	723	13	51
ELS85AT	85MB	977	10	17
ELS127AT	127MB	919	16	17
ELS170AT	170MB	1011	15	22

SEAGATE

MODEL	CAPACITY	CYLINDER	HEAD	SECTOR
ST3096A	85MB	1024	10	17
ST31 20A	102MB	1024	12	17
ST31 44A	125MB	1001	15	17
ST3283A	245MB	978	14	35

WESTERN DIGITAL

MODEL	CAPACITY	CYLINDER	HEAD	SECTOR
AC280	85M	980	10	17
AC21 20	125M	872	8	35
AC2200	200M	989	12	35
AC2250	255M	1010	10	55
AC2340	341M	1010	12	55