



# vs. Castlevania

MANUAL



VS. CASTLEVANIA™  
OPERATION MANUAL  
MDS (MGS)

1. How to Install Sub PCB Software

For VS. Dual System (Two Monitors):

If "VS. Castlevania" is to be installed in main (left) side of cabinet, then remove existing PPU and CPU Chip (2A03), Locations 2F and 2J on CPU PCB, and existing EPROMS in Locations 1A, 1B, 1C, 1D, 2A, and 2B. For Sub (right) side, use Locations 8F and 8J, and EPROMS in Locations 6A, 6B, 6C, 6D, 8A, and 8B.

Insert "VS. Castlevania" Sub PCB to the two bare 40-Pin DIP IC Sockets on CPU PCB. Location 2F and 2J for the main (right) side or 8F and 8J for the Sub (left) side.

CAUTION: Be sure to insert the Sub PCB with the chips in the same direction as other ICs on the CPU PCB. Inserting this backwards may damage the CPU PCB and the Sub PCB.

Firmly insert Sub PCB into IC Socket in order to prevent failures.

Carefully check all 40-Pins for proper connections.

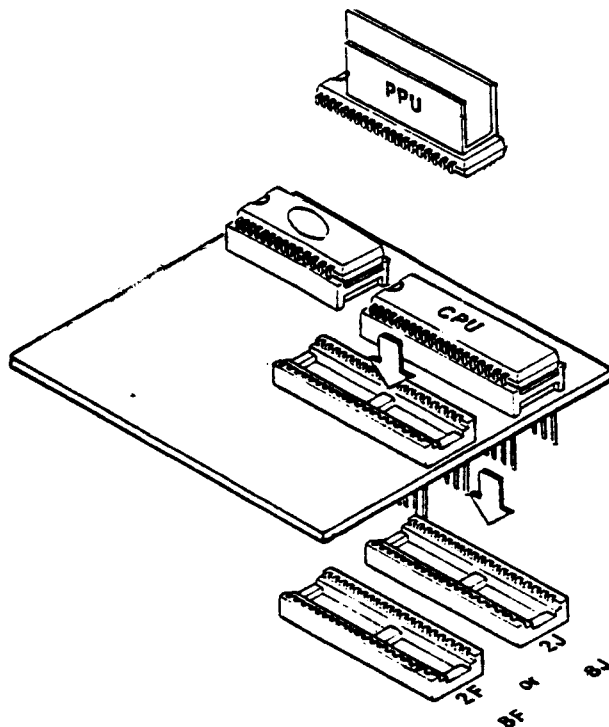
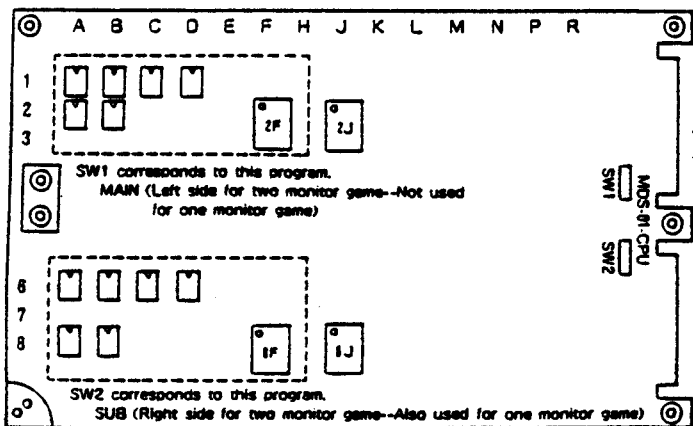
Insert CPU Chip 2A03 to 40-Pin Dip IC Socket, Location U8 on Sub PCB, with the chips in the same direction as the other ICs on the Sub PCB.

Insert PPU to 40-Pin DIP IC Socket, Location U6 on Sub PCB, with the chips in the same direction as the other ICs on the Sub PCB.

For VS. UniSystem (One Monitor):

"VS. Castlevania" Sub PCB must use Locations 8F and 8J (Sub side).

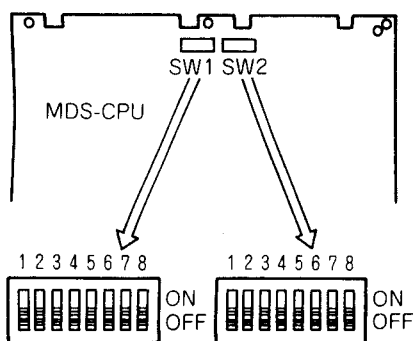
CAUTION: Be sure to insert the Sub PCB with the chips in the same direction as other ICs on the CPU PCB. Inserting this backwards may damage the CPU PCB and the Sub PCB.



\*Castlevania is a Trademark of Konami Inc.

## 2. Points and methods of adjustment

### Game Option Settings MDS P.C. Board



SW1---MAIN (Left side for two monitor game —  
Not used for one monitor game)

SW2---SUB (Right side for two monitor game  
— Also used for one monitor  
game)

### MDS FOR VS. CASTLEVANIA

		SW1 (SW2)							
		1	2	3	4	5	6	7	8
Coin/Credit	1/1	OFF	OFF	OFF					
	1/2	OFF	OFF	ON					
	1/3	OFF	ON	OFF					
	2/1	OFF	ON	ON					
	3/1	ON	OFF	OFF					
	4/1	ON	OFF	ON					
	5/1	ON	ON	OFF					
Free Play		ON	ON	ON					
Number of Lives	3				OFF				
	2				ON				
Bonus	① Timer x 4 Heart x 40					OFF	OFF		
	② Timer x 6 Heart x 60					OFF	ON		
	③ Timer x 8 Heart x 80					ON	OFF		
	④ Timer x 9 Heart x 90					ON	ON		
Easy								OFF	
Hard								ON	
Not Used - Must Be Set to "OFF"									OFF

● Factory Suggested Settings

