

Bally

January 1999
16-50066-101
Final

CACTUS CANYON

OPERATIONS MANUAL

Scanned by:



FLIPPERSPILL.COM



OPERATIONS MANUAL INCLUDES

Operations & Adjustments • Testing & Problem Diagnosis • Parts Information
Wiring Diagrams & Schematics
Williams Electronics Games, Inc., 3401 N. California Avenue, Chicago, IL 60618

DIP SWITCH SETTINGS AND JUMPERS

| | | |
|--------------------------------------|-----------|-----------|
| EPROM Jumper Settings for G11 | W1 | W2 |
| 1MEG, 2MEG, 4 MEG EPROM | In | Out |

DIP Switch Chart

| COUNTRY | SW1 | SW2 | SW3 | SW4 | SW5 | SW6 | SW7 | SW8 |
|----------|-----|-----|-----|-----|-----|-----|-----|-----|
| AMERICA | Off | Off | On | On | On | On | On | On |
| EUROPEAN | Off | Off | On | On | On | Off | On | On |
| FRENCH | Off | Off | On | On | On | On | Off | Off |
| GERMAN | Off | Off | On | On | On | On | On | Off |
| SPAIN | Off | Off | On | On | Off | On | On | On |

SOLENOID/FLASHER TABLE

| Sol. No. | Function | Solenoid Type | Voltage Connections | | | Drive Xistor | Drive Connections | | | Drive Wire Color | Solenoid Part Number | |
|-----------------------------|-------------------------|----------------------|-------------------------------------|----------------------------|--------------------------|------------------------------------|--------------------------|---------------------------|-------------|------------------|----------------------|--------|
| | | | Playfield | Insert | Cabinet | | Playfield | Insert | Cabinet | | Playfield | Insert |
| 01 | AUTO PLUNGER | High Power | J133-2 | | | Q72 | J116-1 | | | VIO-BRN | AE-23-800 | |
| 02 | LEFT DROP TARGET | High Power | J133-2 | | | Q68 | J116-2 | | | VIO-RED | AE-26-1500 | |
| 03 | LEFT CENTER DROP TARGET | High Power | J133-2 | | | Q71 | J116-4 | | | VIO-ORG | AE-26-1500 | |
| 04 | RT CENTER DROP TARGET | High Power | J133-2 | | | Q67 | J116-5 | | | VIO-YEL | AE-26-1500 | |
| 05 | RIGHT DROP TARGET | High Power | J133-2 | | | Q70 | J116-6 | | | VIO-GRN | AE-26-1500 | |
| 06 | MINE POPPER | High Power | J133-2 | | | Q66 | J116-7 | | | VIO-BLU | AE-24-900 | |
| 07 | NOT USED | High Power | | | | Q69 | | | | | | |
| 08 | SALOON POPPER | High Power | J133-2 | | | Q65 | J116-9 | | | VIO-GRY | AE-26-1500 | |
| 09 | TROUGH EJECT | Low Power | J133-3 | | | Q44 | J113-1 | | | BRN-BLK | AE-26-1500 | |
| 10 | LEFT SLINGSHOT | Low Power | J133-3 | | | Q48 | J113-3 | | | BRN-RED | AE-26-1200 | |
| 11 | RIGHT SLINGSHOT | Low Power | J133-3 | | | Q43 | J113-4 | | | BRN-ORG | AE-26-1200 | |
| 12 | LEFT JET BUMPER | Low Power | J133-3 | | | Q47 | J113-5 | | | BRN-YEL | AE-26-1200 | |
| 13 | RIGHT JET BUMPER | Low Power | J133-3 | | | Q42 | J113-6 | | | BRN-GRN | AE-26-1200 | |
| 14 | LEFT GUNFIGHT POST | Low Power | J133-3 | | | Q46 | J113-7 | | | BRN-BLU | AE-26-1500 | |
| 15 | RIGHT GUNFIGHT POST | Low Power | J133-3 | | | Q41 | J113-8 | | | BRN-VIO | AE-26-1500 | |
| 16 | BOTTOM JET BUMPER | Low Power | J133-3 | | | Q45 | J113-9 | | | BRN-GRY | AE-26-1200 | |
| 17 | MINE MOTOR | Flasher | J140-2 | | | Q28 | J111-1 | | | BLK-BRN | 14-8015 | |
| 18 | MINE FLASHER | Flasher | J133-6 | | | Q32 | J111-2 | | | BLK-RED | #906 | |
| 19 | FRONT LEFT FLASHER | Flasher | J133-6 | | | Q27 | J111-3 | | | BLK-ORG | #906 | |
| 20 | FRONT RIGHT FLASHER | Flasher | J133-6 | | | Q31 | J111-4 | | | BLK-YEL | #906 | |
| 21 | LEFT LOOP GATE | Flasher | J133-1 | | | Q26 | J111-5 | | | BLU-GRN | A-14406 | |
| 22 | RIGHT LOOP GATE | Flasher | J133-1 | | | Q30 | J111-6 | | | BLU-BLK | A-14406 | |
| 23 | NOT USED | Flasher | | | | Q25 | J111-7 | | | BLU-VIO | | |
| 24 | BEACON FLASHER | Flasher | J133-6 | J134-5 | | Q29 | J111-8 | J112-9 | | BLU-GRY | #906 | #906 |
| 25 | MIDDLE RIGHT FLASHER | Gen. Purpose | J133-6 | | | Q16 | J109-1 | | | BLU-BRN | #906 | |
| 26 | SALOON FLASHER | Gen. Purpose | J133-6 | J134-5 | | Q15 | J109-2 | J108-2 | | BLU-RED | #906 | #906 |
| 27 | BACK RIGHT FLASHER | Gen. Purpose | J133-6 | J134-5 | | Q14 | J109-3 | J108-3 | | BLU-ORG | #906 | #906 |
| 28 | BACK LEFT FLASHER | Gen. Purpose | J133-6 | J134-5 | | Q13 | J109-5 | J108-5 | | BLU-YEL | #906 | #906 |
| Flipper Circuits | | Solenoid Type | Playfield Voltage Connection | Drive Xistors Power | Hold | Playfield Drive Connections | Drive Wire Colors | Power | Hold | | | |
| 29 | LOWER RIGHT FLIPPER | Power | J119-1 (RED-GRN) | Q90 | | J120-13 | YEL-GRN | | | FL-11630 | | |
| 30 | | Hold | J119-1 (RED-GRN) | Q92 | | J120-11 | ORG-GRN | | | | | |
| 31 | LOWER LEFT FLIPPER | Power | J119-4 (RED-BLU) | Q87 | | J120-9 | YEL-BLU | | | FL-11630 | | |
| 32 | | Hold | J119-4 (RED-BLU) | Q89 | | J120-7 | ORG-BLU | | | | | |
| 33 | MOVE BART TOY | Power | J119-6 (RED-VIO) | Q84 | | J120-6 | YEL-VIO | | | AE-26-1500 | | |
| 34 | NOT USED | Hold | J119-6 (RED-VIO) | Q86 | | J120-4 | ORG-VIO | | | | | |
| 35 | NOT USED | Power | J119-8 (RED-GRY) | Q81 | | J120-3 | YEL-GRY | | | | | |
| 36 | BART TOY HAT | Hold | J119-8 (RED-GRY) | Q83 | | J120-1 | ORG-GRY | | | AE-26-1500 | | |
| Train Motor | | Solenoid Type | Playfield Voltage Connection | Drive Gates | | Playfield Drive Connections | Drive Wire Colors | Device Part Number | | | | |
| 37 | TRAIN REVERSE | Low Power | J141-2 | U3A, U3B | | J110-1 | BRN-WHT | 14-8015 | | | | |
| 38 | TRAIN FORWARD | Low Power | J141-2 | U3C, U3D | | J110-3 | ORG-WHT | | | | | |
| General Illumination | | Solenoid Type | Voltage Connections | Drive | Drive Connections | Drive | Bulb Type | Bulb Type | | | | |
| | | | Playfield | Xistor | Playfield | Wire | Playfield | Insert | | | | |
| | | | Insert | Cabinet | Insert | Color | Insert | Insert | | | | |
| 01 | ILLUMINATION STRING 1 | G.I. | J105-1 | | Q5 | J105-7 | WHT-BRN | #44 | | | | |
| 02 | ILLUMINATION STRING 2 | G.I. | J105-2 | | Q4 | J105-8 | WHT-ORG | #44 | | | | |
| 03 | ILLUMINATION STRING 3 | G.I. | J105-3 | | Q3 | J105-9 | WHT-YEL | #44 | | | | |
| 04 | ILLUMINATION STRING 4 | G.I. | | J106-5 | Q2 | | J106-10 | WHT-GRN | #555 | | | |
| 05 | ALL ILLUMINATION | G.I. | | J106-6 | J104-3 | Q1 | J106-11 | J104-1 | WHT-VIO | #555 | | |

*These general illumination strings do not brighten and dim, they are always on.

| | |
|--------------------|---------------------|
| 24-6549 = #44 bulb | 24-8768 = #555 bulb |
| 24-8704 = #89 bulb | 24-8802 = #906 bulb |

DECLARATION OF CONFORMITY

WILLIAMS ELECTRONICS GAMES, INC.

3401 N. CALIFORNIA AVE.
CHICAGO, IL 60618
U.S.A.

WE, HEREBY DECLARE UNDER SOLE RESPONSIBILITY THAT
THE MODEL: "CACTUS CANYON " 50266,50366,50466,50766,50966,51062,51166,
51366,51466,51866,52066,52166,52266,52366,57266 PIN

TO WHICH THIS DECLARATION RELATES IS IN CONFORMITY WITH THE
FOLLOWING EUROPEAN PRODUCT SAFETY DIRECTIVES:

ELECTROMAGNETIC COMPATABILITY DIRECTIVE
(89/336/EEC AND AMENDMENTS 91/C162/08, 92/31/EEC,93/68/EEC

ELECTRICAL EQUIPMENT DESIGNED FOR USE WITHIN
CERTAIN VOLTAGE LIMITS DIRECTIVE
(73/23/EEC AND AMENDMENTS 88/C168/02, 92/C210/01,
93/68/EEC, 94/C199/03, 95/C214/02)

EN 55014:1993 EN55104:1995 EN61000-4-2: 1995
IEC 801-3: 1984 (EN61000-4-3) EN61000-4-4: 1995 EN61000-4-5: 1995
ENV50141: 1993 (EN61000-4-6) EN61000-4-11: 1994 EN60335-1: 1995
IEC 335-2-82 (DRAFT)

Date issued: MAY 20, 1998

MANUFACTURE'S SIGNATURE



DAN GALARDE
CORPORATE V.P. OF QUALITY

ATTENTION

The Security CPU board has an added security chip that can be interchanged between other **CACTUS CANYON** games and software revision levels. The CPU board itself is interchangeable with later model games, but must be equipped with the correct security chip and software for that specific game.

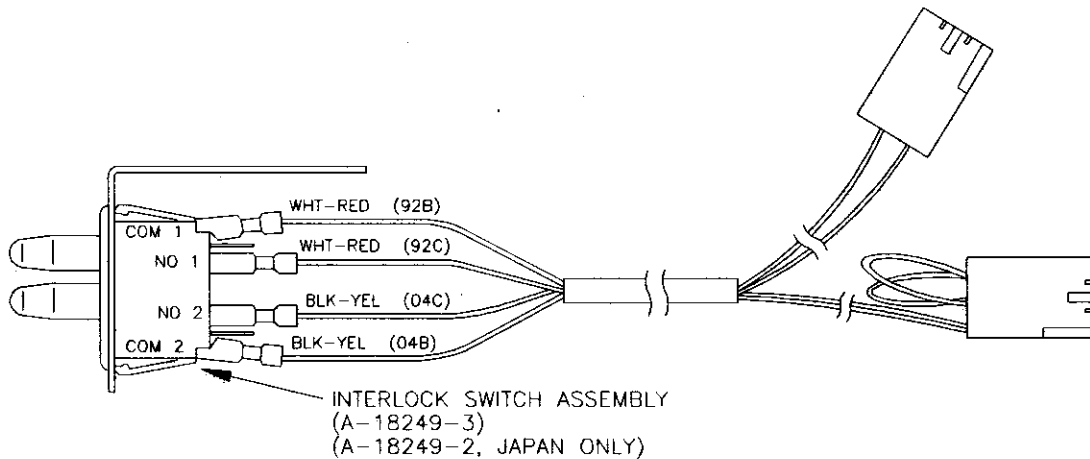
The games' electronic ID number is shown in the display during power-up. The number displayed is the same nine-digit number printed on the security chip label. The first three digits are the project number without the country specific code. An example of the power-up display is shown below, the electronic ID number is bolded.

| | | |
|------------|---------------|--------------|
| TESTING | | |
| 50066 | | EPROM 1.0 A |
| 566 | 100006 | 95749 |

IMPORTANT NOTICE

PLEASE READ

This pinball game is equipped with a SAFETY FEATURE to prevent shocks from the solenoid circuit when the coin door is opened. An interlock switch assembly (part no. A-18249-3), located at the left of the coin door opening, has been added to the game. This assembly consists of a bracket containing the existing memory protect switch on the bottom and a new interlock switch on the top. When the coin door is opened, this new interlock switch opens, breaking the connection to the +50V and +20V winding of the transformer secondary.



CACTUS CANYON

The information is current as of the time of its release.

Fill out and mail in game Registration card. Be sure to include the game serial number. For your records, write the PIC and game serial numbers in manual.

PIC Number _____ Serial Number _____

Williams Electronics Games, Inc. reserves the rights to make modifications and improvements to its products. The specifications and parts identified in this manual are subject to change without notice.

TABLE OF CONTENTS

| | |
|---------------------------------------------------------------|-------------|
| Section 1 - Game Operation & Test Information..... | 1-1 |
| (System WPC) ROM Summary..... | 1-1 |
| Pinball Game Assembly Instructions..... | 1-2 |
| Game Control Locations..... | 1-6 |
| Game Operation..... | 1-7 |
| Raising the Playfield..... | 1-8 |
| Menu System Operation and Main Menu..... | 1-9 |
| Bookkeeping Menu..... | 1-10 |
| B.1 Main Audits..... | 1-10 |
| B.2 Earnings Audits..... | 1-10 |
| B.3 Standard Audits..... | 1-10 |
| B.4 Feature Audits..... | 1-11 |
| B.5 Histograms..... | 1-14 |
| B.6 Time-Stamps..... | 1-14 |
| Printouts Menu..... | 1-15 |
| Test Menu..... | 1-16 |
| T.1 Switch Edges Test..... | 1-16 |
| T.2 Switch Levels Test..... | 1-16 |
| T.3 Single Switch Test..... | 1-16 |
| T.4 Solenoid Test..... | 1-17 |
| T.5 Flasher Test..... | 1-17 |
| T.6 G.I. Test..... | 1-17 |
| T.7 Sound and Music Test..... | 1-18 |
| T.8 Single Lamp Test..... | 1-18 |
| T.9 All Lamps Test..... | 1-18 |
| T.10 Lamp and Flasher Test..... | 1-18 |
| T.11 Display Test..... | 1-18 |
| T.12 Flipper Coil Test..... | 1-19 |
| T.13 Ordered Lamp Test..... | 1-19 |
| T.14 Lamp Row-Col..... | 1-19 |
| T.15 DIP Switch Test..... | 1-19 |
| T.16 Empty Ball Test..... | 1-19 |
| Utilities Menu..... | 1-20 |
| U.1 Clear Audits..... | 1-20 |
| U.2 Clear Coins..... | 1-20 |
| U.3 Reset H.S.T.D..... | 1-20 |
| U.4 Set Time & Date..... | 1-20 |
| U.5 Custom Messages..... | 1-20 |
| U.6 Set Game I.D..... | 1-20 |
| U.7 Factory Adjustment..... | 1-21 |
| U.8 Factory Reset..... | 1-21 |

Section 1 Continued...

| | |
|--------------------------------------------------------------------------------------|-------------|
| U.9 Presets..... | 1-21 |
| Game Difficulty Table for U.S., Canadian, French, German, and European Games..... | 1-21 |
| Preset Table for U.S./Canada..... | 1-21 |
| U.10 Clear Credits..... | 1-23 |
| U.11 Auto Burn-in..... | 1-23 |
| Language Menu..... | 1-24 |
| Adjustments Menu..... | 1-25 |
| A.1 Standard Adjustments..... | 1-25 |
| A.2 Feature Adjustments..... | 1-30 |
| A.3 Pricing Adjustments..... | 1-33 |
| Pricing Table..... | 1-40 |
| A.4 H.S.T.D. Adjustment..... | 1-41 |
| A.5 Printer Adjustments..... | 1-42 |
| Error Messages..... | 1-43 |
| CPU Board & Audio Visual Board Error Codes..... | 1-44 |
| Opto Theory..... | 1-45 |
| LED List..... | 1-46 |
| Fuse List..... | 1-47 |
| Maintenance Information..... | 1-48 |

Section 2 - Game Parts Information.....

| | |
|----------------------------------------------------------------|------|
| Backbox Assembly..... | 2-2 |
| Cabinet Assembly..... | 2-3 |
| Audio Visual Board Assembly..... | 2-4 |
| Power Driver Board Assembly..... | 2-6 |
| CPU Security Board..... | 2-8 |
| Trough IR LED Board Assembly..... | 2-10 |
| Trough IR Photo Transistor Board Assembly..... | 2-10 |
| Train Single Opto (Schmitt Opto Interrupt) Board Assembly..... | 2-10 |
| Coin Door Interface Board Assembly..... | 2-11 |
| Flipper Opto Board Assembly..... | 2-11 |
| 10-Opto Board Assembly..... | 2-12 |
| D.C. Motor Control Board..... | 2-12 |
| Motor EMI w/ Brake Board Assembly..... | 2-13 |
| Mine Dual Opto Board Assembly..... | 2-13 |
| Left Flipper Assembly..... | 2-14 |
| Right Flipper Assembly..... | 2-15 |
| Kicker Arm (slingshot) Assembly..... | 2-16 |
| Ball Trough Assembly Complete..... | 2-17 |
| Jet Bumper Assembly..... | 2-18 |
| Jet Coil & Bracket Assembly..... | 2-19 |
| Shooter Lane Kicker Assembly..... | 2-20 |
| Mini Popper Assembly..... | 2-21 |
| Train Assembly..... | 2-22 |

Section 2 Continued...

| | |
|------------------------------------------------|-------|
| Duty Cycle/Drop Target Assembly..... | 2-24 |
| Bad Guy Mech. Assembly..... | 2-25 |
| Mine Assembly | 2-26 |
| Mine Door Assembly..... | 2-27 |
| Ball Get Actuator Assembly..... | 2-28 |
| Up/Down Post Assembly..... | 2-28 |
| Tilt Mechanism..... | 2-29 |
| Power Interface Assembly..... | 2-30 |
| Power Interface/Cordset Application Chart..... | 2-31 |
| Upper Playfield Parts List..... | 2-32 |
| Upper Playfield Parts Locations..... | 2-33 |
| Lamp Locations List..... | 2-34 |
| Lamp Locations..... | 2-35 |
| Solenoid/Flashlamp Locations List..... | 2-36 |
| Solenoid/Flashlamp Locations..... | 2-37 |
| Switch Locations List | 2-38 |
| Switch Locations..... | 2-40 |
| Lamp Matrix..... | 2-41 |
| Solenoid/Flashlamp Table..... | 2-42 |
| Switch Matrix..... | 2-43 |
| Rubber Ring Locations..... | N / A |

Section 3 - Wiring Diagrams & Schematics

| | |
|----------------------------------------------------------------|---------|
| Connector & Component Identification..... | 3-1 |
| Switch Matrix and Switch Matrix Circuit..... | 3-2 |
| Dedicated Switch Circuit..... | 3-3 |
| Lamp Matrix and Lamp Matrix Circuit..... | 3-4 N/A |
| Solenoid/Flashlamp Circuit Table..... | 3-5 |
| Solenoid Wiring..... | 3-6 |
| Flashlamp Wiring..... | 3-7 |
| High Power and Low Power Solenoid Circuits..... | 3-8 |
| Flashlamp and Special (General Purpose) Solenoid Circuits..... | 3-9 |
| General Illumination Circuit..... | 3-10 |
| Flipper Circuit Diagram..... | 3-11 |
| Flipper Coil and End-of-Stroke Circuits..... | 3-12 |
| Flipper Cabinet Switch Circuits..... | 3-13 |
| Flipper Opto Board Assembly..... | 3-14 |
| LED and Photo Transistor Board Assemblies | 3-15 |
| Trough IR LED Board Assembly..... | 3-16 |
| Trough IR Photo Transistor Board Assembly..... | 3-17 |
| 10-Opto Switch Board Assembly..... | 3-18 |
| 10-Opto Switch Board Schematic..... | 3-19 |
| Individual Playfield Opto Switch Wiring Diagram..... | 3-20 |
| Ball Trough Opto Switches Wiring Diagram..... | 3-21 |
| Motor EMI Board (For Mine Motor)..... | 3-22 |
| Mine Dual Opto Board (For Mine Motor)..... | 3-22 |

Section 3 Continued...

| | |
|------------------------------------------------------------------|------|
| D.C. Motor Control Board (For Train Motor)..... | 3-23 |
| Single Train Schmitt Opto Interrupt Board (For Train Motor)..... | 3-23 |
| Mine Motor Circuit..... | 3-24 |
| Train Motor Circuit..... | 3-24 |
| Coin Door Interface Board Interboard Wiring List..... | 3-25 |
| Coin Door Interface Board Schematic..... | 3-26 |
| Security CPU Board Interboard Wiring List..... | 3-27 |
| Audio Visual Board Interboard Wiring List..... | 3-28 |
| Power Driver Board Interboard Wiring List..... | 3-29 |

SECTION ONE

GAME OPERATION AND TEST INFORMATION

(System WPC) ROM SUMMARY

| IC | TYPE | BOARD | LOCATION | PART NUMBER |
|---------------|--------------|-------|----------|-----------------|
| Game 1 | EPROM 27c080 | CPU | G11 | A-5343-50066-1 |
| Security Chip | PIC16C57 | CPU | G10 | A-5400-50066-1 |
| Music/Speech | EPROM 27c040 | Audio | SU2 | A-5343-50066-S2 |
| Music/Speech | Masked ROM | Audio | SU3 | A-5343-50066-S3 |
| Music/Speech | Masked ROM | Audio | SU4 | A-5343-50066-S4 |
| Music/Speech | Masked ROM | Audio | SU5 | A-5343-50066-S5 |
| Music/Speech | Masked ROM | Audio | SU6 | A-5343-50066-S6 |
| Music/Speech | Masked ROM | Audio | SU7 | A-5343-50066-S7 |

NOTICE

Order replacement ROMS from your authorized Williams Electronics Games, Inc. distributor. Specify (1), part number (if available); (2), ROM level (number) on label; (3) game in which ROM is used.

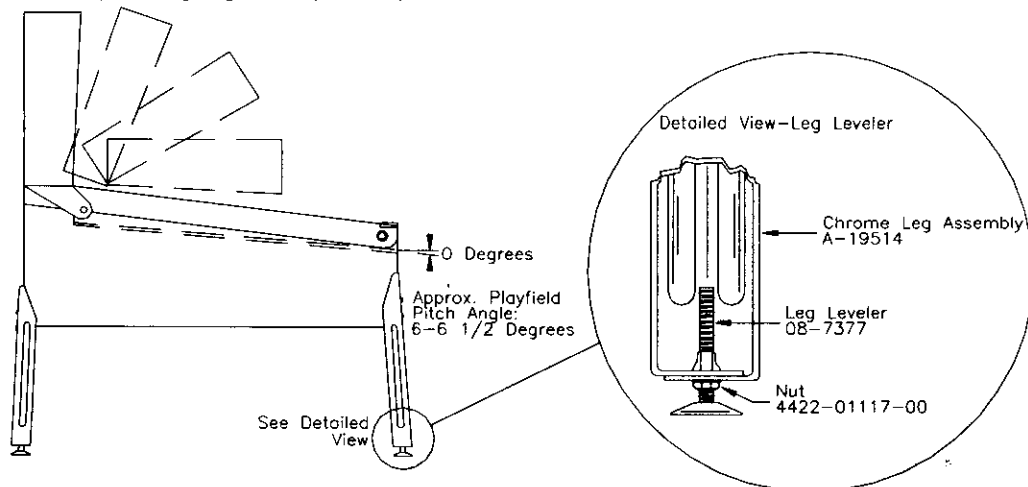
PINBALL GAME ASSEMBLY INSTRUCTIONS

-CACTUS CANYON IS A FOUR BALL GAME-

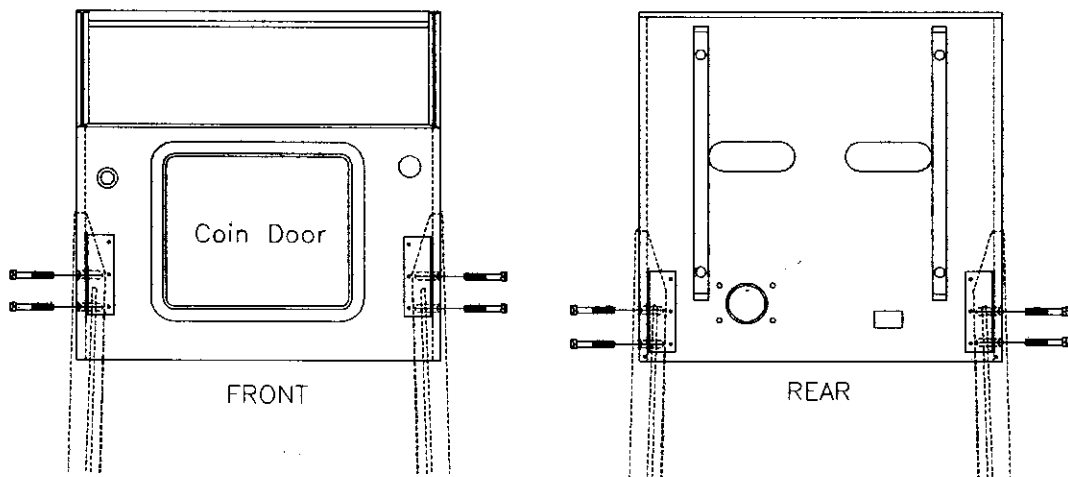
Power: Domestic 120V @ 60Hz
Foreign 230V @ 50Hz
Japan 100V @ 50Hz
Temp: 32°F to 100° F, (0°C to 38°C)
Humidity: Not to exceed 95% relative.

Dimensions: Width: 29" approx.
Depth: 52" approx.
Height: 75" approx.
Weight: 325 lb. approx. (crated)

1. Remove all cartons, parts, and other items from the shipping container and set them aside.
2. The leg levelers and leg bolts are among the parts in the cash box. Install the leg levelers on the front and rear legs (View 1). Place the cabinet on a support and attach the rear legs using leg bolts (View 2).
3. Attach front legs using leg bolts (View 2).



VIEW 1



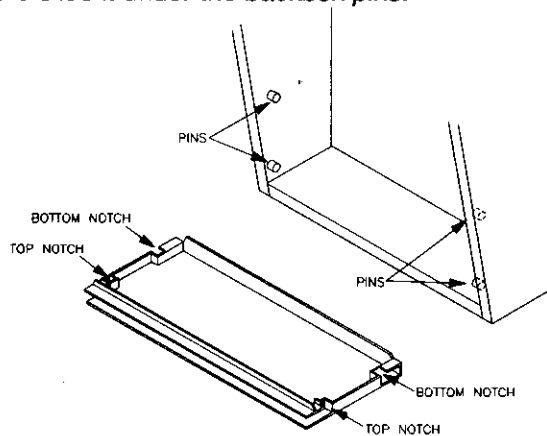
VIEW 2

4. Reach into the cabinet and backbox and ensure that the interconnecting cables are not kinked or pinched. Be careful to avoid damaging wires at any stage of the assembly process.
5. Raise the hinged backbox upright and latch it into position. Unlock the backbox. Carefully, lift the backglass/insert panel from the bottom. Slide it down and out of the backbox grooves. Rotate it forwards from the top, and lay it facedown on the playfield glass. Unplug the cables extending from the backbox to the backglass/insert panel. Set the backglass/insert panel aside.

Lift the speaker panel so that the top notches clear the top set of pins in the sides of the backbox. Rotate it forwards from the top, and lay it facedown on the playfield glass. The bottom of the speaker panel remains attached to the backbox.

Once the backglass/insert panel is removed and the speaker panel is lowered onto the playfield, the holes needed to secure the backbox upright are accessible. To secure the backbox, install the washer-head mounting bolts through the holes in the bottom of the backbox. Be sure that the bolts extend into the threaded fasteners in the cabinet.

Note: You have the option of removing the speaker panel completely. Lay the speaker panel on the playfield glass. Unplug the display cable, speaker cable, and the ground strap. Line up the bottom notches in the speaker panel with the bottom pins in the sides of the backbox. Lower the speaker panel through the notches and slide it under the backbox pins.



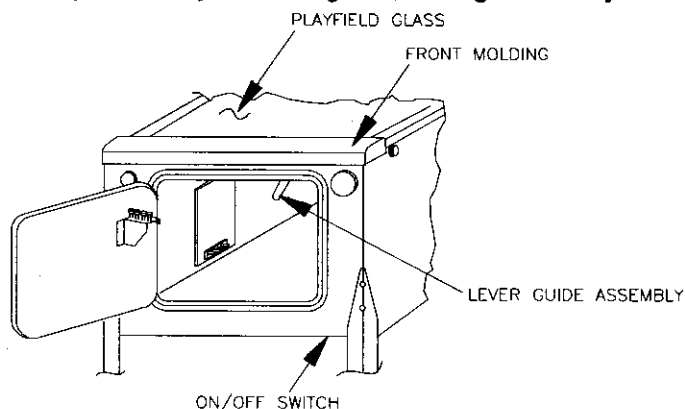
6. After the washer-head mounting bolts are installed, replace the speaker panel and the backglass/insert panel. Take care when plugging in the connectors. Connectors should plug in easily. Do not force the connectors.

CAUTION

FAILURE TO INSTALL the backbox mounting hardware properly can cause personal injury. **NEVER TRANSPORT** a pinball game with the hinged backbox erect. Always lower the backbox forward onto the playfield cabinet on a layer of protective material to prevent marring or damage and possible personal injury.

7. Extend each leg leveler *slightly* below the leg bottom, so that all four leg leveler pads are extended about the same distance. Remove the cabinet from its support and place it on the floor.

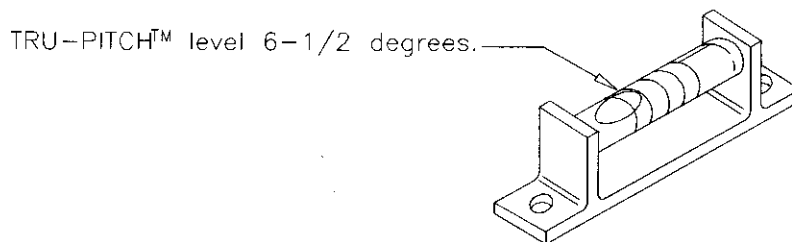
- Unlock and open the coin door. Move the lever guide toward the left side of the game, and lift the front molding off of the playfield cover glass. Slide the lever guide to the right, and close the coin door. Carefully slide the glass downward, until it clears the grooves of the left and right side moldings. Lift the glass up and away from the game, storing it carefully to avoid breakage.



- Place a level or an inclinometer on the playfield surface. Adjust the leg levelers for proper playfield level (side-to-side).

Note: This measurement must be made *ON* the playfield, not the cabinet or the playfield cover glass. Tighten the nut on each leg leveler shaft to maintain this setting.

- The TRU-PITCH™ level is located on the right shooter rail. This allows the playfield pitch angle to be properly adjusted **WITHOUT REMOVING THE GLASS**. The first line (closest to the front of the game) on the level is approximately 6 degrees. Every line thereafter is approximately another 1/2 degree of pitch. The recommended pitch is 6-1/2 degrees. The **NOSE** of the bubble should be between the first and second line on the level (see diagram below).

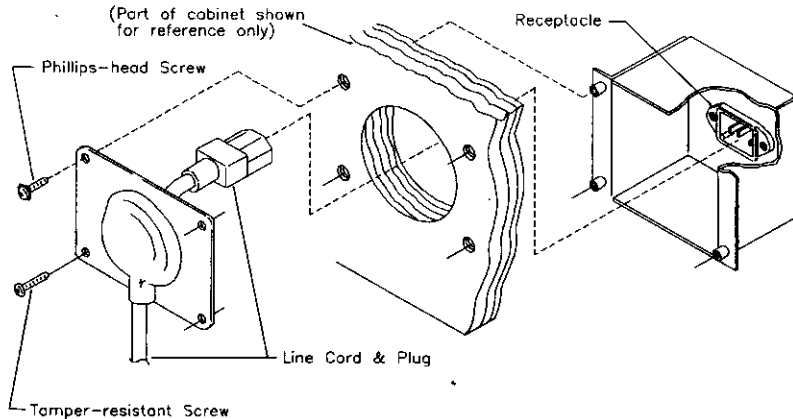


IMPORTANT!

Playfield pitch angle can affect the operation of the plumb bob tilt. The plumb bob weight is among the parts in the cash box; the operator should install the weight and adjust this tilt mechanism for proper operation, after completion of the desired playfield pitch angle setting. The unit is factory installed for a 6-1/2 degree angle. If an adjustment is necessary, loosen the screw at the bottom of the unit. Move the pointer, one groove at a time to the left or the right, depending on the degree desired. Hold the pointer in place and tighten screw

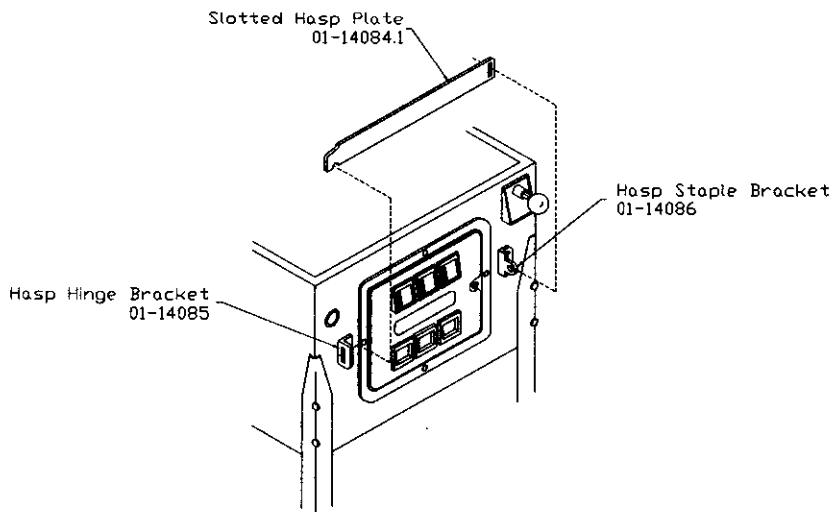
- Be sure the **required number** of balls is installed. The **CACTUS CANYON** game uses **FOUR** balls.
- Install full playfield Mylar, if desired.
Note: The **CACTUS CANYON** playfield is coated with a special hardcoat surface and does not require a protective Mylar. However, mylars can be purchased through your local Williams Distributor.

13. Remove tie-wrap from train assembly. Be sure train can move freely along track.
14. Clean and reinstall the playfield cover glass. Replace and lock the front molding.
15. To attach the line cord, remove the four Phillips-head screws that mount to line cord cover plate to the rear cabinet. Match the prongs on the plug with the holes in the receptacle, and push the line cord securely into place. Make sure the cord is aligned with the indentation on the cover plate (indentation should point toward bottom of the cabinet). Remount line cord cover plate. If desired, four tamper resistant screws have been provided, in the unique parts bag, to remount cover plate.



16. Move the game into the desired location. Adjust the leg levelers so that the playfield pitch is the recommended 6-1/2 degrees. This places the game in a FIXED position.

17. If a padlock is desired, install the security bar as shown below.



18. **IMPORTANT:** Fill out and return the registration card.

GAME CONTROL LOCATIONS

CACTUS CANYON features a coin door display. When the coin door is open (in Attract mode and game play), the display shows that the high-power has been disabled. It also shows the Test Report (if there is anything to report), and some game specific information. Use the flipper buttons to page through this information.

Cabinet Switches

The On-Off Switch is on the bottom of the cabinet near the right front leg.

The Start Button is a push-button to the left of the coin door on the cabinet exterior. Press the Start button to begin a game, or during the diagnostic mode, to ask for HELP.

Coin Door Buttons

The operator controls all game adjustments, obtains bookkeeping information, and diagnoses problems, using only four push-button switches mounted on the inside of the coin door. The coin door buttons have two modes of operation Normal Function and Test Function.

Normal Function

The Service Credits button puts credits on the games that are not included in any of the game audits.

The Volume Up (+) button raises the sound level of the game. Press and hold the button until the desired level is reached.

The Volume Down (-) button lowers the sound level of the game. Press and hold the button until the desired level is reached. See Adjustment A.1 28 to turn sound off completely.

The Begin Test button starts the Menu System operation and changes the coin door buttons from Normal Function to Test Function.

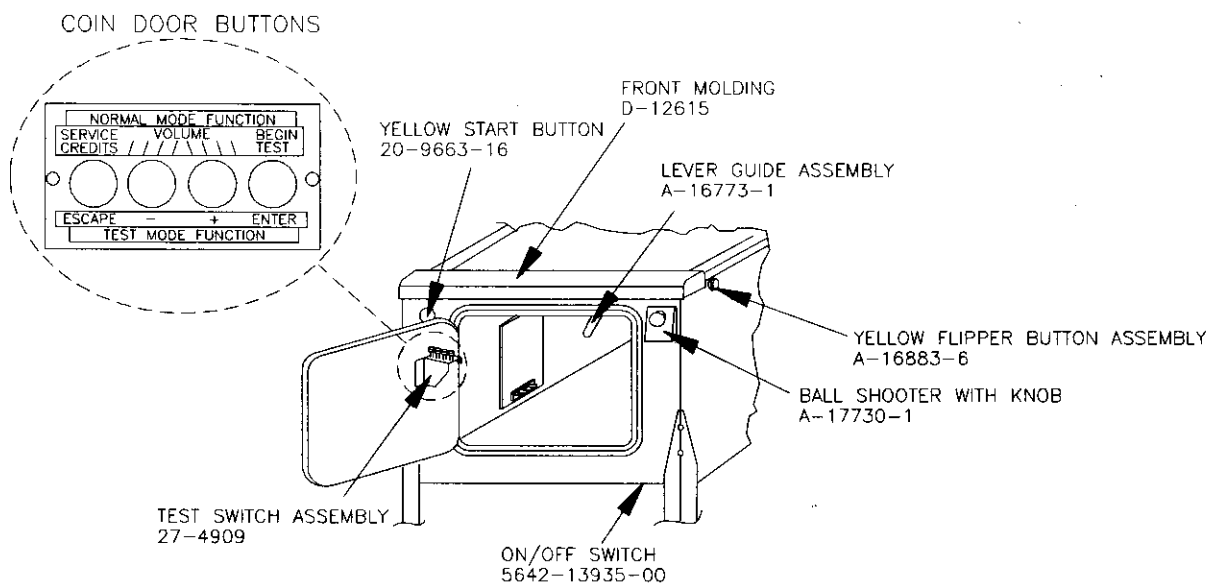
Test Function

The Escape button allows you to get out of a menu selection or return to the Attract mode.

The Up (+) button allows you to cycle forward through the menu selections or adjustment choices.

The Down (-) button allows you to cycle backward through the menu selections or adjustment choices.

The *Enter button allows you to get into a menu selection or lock in an adjustment choice.



***To reset High Score, hold down the Begin Test/Enter switch for five seconds while in the Attract mode.0**

GAME OPERATION

CAUTION

After assembly and installation at its site location, this game must be plugged into a properly grounded outlet to prevent shock hazard, and to assure proper game operation. **DO NOT** use a 'cheater' plug to defeat the ground pin on the line cord. **DO NOT** cut off the ground pin.

POWERING UP. With the coin door closed, plug the game in, and switch it on. In normal operation, TESTING shows in the displays as the game performs Start-up tests. Once the Start-up tests have been successfully completed the last score is displayed and the game goes into the Attract mode.

Note: After the game has been on location for a time, the Start-up tests may contain messages concerning game problems. See 'Error Messages' for more detailed information regarding messages.

Open the coin door and press the Begin Test switch. The display shows the game name, number, and software revision. The message changes and the display will show the sound software revision, the revision level of the system software, and the date the software was revised.

| | | |
|-----------------|----------------------|------------------------|
| Example: | CACTUS CANYON | Sound Rev. 1.0A |
| 50066 | Rev. 1.0A | SY. 0.X0 XX-XX-98 |

Press the Enter button to enter the Menu System (refer to the section entitled "Menu System Operation" for more information). Perform the entire Test menu routine to verify that the game is operating satisfactorily.

In order to operate the tests that use the +50V or +20V circuits, pull the top interlock switch button out. The interlock switches are located on a bracket in the coin door opening.

ATTRACT MODE*. After completing the Test menu routine, press the Escape button three times to enter the Attract mode. During the Attract mode, the display shows a series of messages informing the player of the recent highest *scores, "**custom messages", and the score to obtain a replay *award.

CREDIT POSTING. Insert coin(s). A sound is heard for each coin, the music plays for one minute, and the display shows the number of credits purchased. So long as the number of maximum allowable credits* are NOT exceeded by coin purchase or high score, credits are posted correctly.

STARTING A GAME. Press the Start button. A startup sound plays, and the credit amount shown in the display decreases by one. The display flashes 00 (until the first playfield switch is actuated), and shows ball 1. If credits are posted, additional players may enter the game by pressing the Start button once for each player, before the end of play on the first ball.

TILTS. Actuating the cabinet slam tilt switch inside the cabinet ends the current game and proceeds to the Game Over mode. With the third closure* of the plumb bob tilt switch, the player loses the remaining play of that ball, but can complete the game.

END OF A GAME. All earned scores and bonuses are awarded. If a player's final score exceeds the specified value, the player receives a designated award for achieving the current highest score. A random digit set* appears in the display. Credits* may be awarded, when the last two digits of any player's score match the random digits. Match, high score, and game over sounds are made.

GAME OVER MODE. The **Game Over** display shows the high scores and the game proceeds to the Attract Mode.

* - Operator-adjustable feature

RAISING THE PLAYFIELD

CAUTION

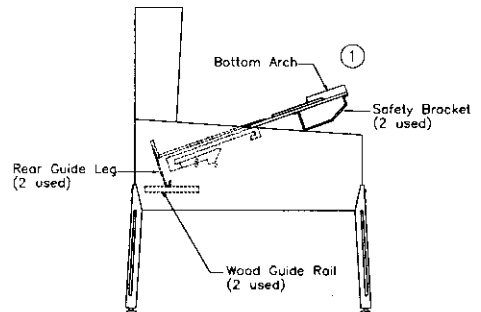
Do not raise the playfield straight up! This game uses a slide assembly to raise and lower the playfield.

Before Raising the Playfield:

Be sure there are no balls present in the ball trough or any of the other ball-holding playfield devices (i.e. poppers). Raising the playfield with balls present in these locations may cause them to come loose and damage the playfield. Use the "Empty Balls Test" to remove all of the balls from these locations.

To Raise the Playfield:

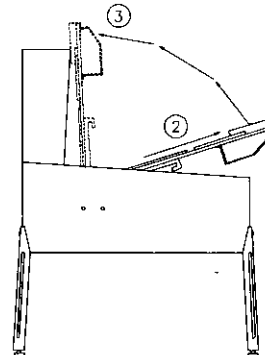
1. Grasp bottom arch and carefully lift up playfield only high enough to clear safety brackets. Rear guide legs should not hit wood guide rails, or be used to slide out playfield.



2. Pull the playfield out toward you until it stops (rest position), and raise it approximately 3".

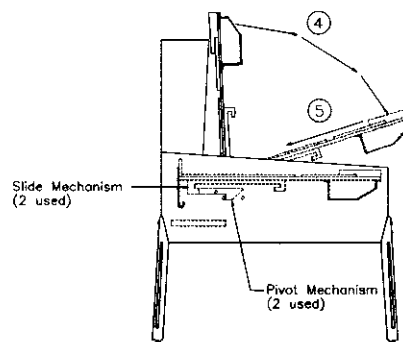
Be sure playfield is in locked position and does not slide back into cabinet. If it does, repeat Step 2 before proceeding to Step 3.

3. Rotate playfield to upright service position (lean on backbox) by pulling toward you and up. Listen for the sound of a click: this ensures locking and pivoting sequence. The latch will engage at the upper position.



To Lower the Playfield

4. Press down on the latch end to disengage (see decal) and rotate the playfield to the rest position. This unlocks the pivoting mechanism.
5. Push the playfield back into cabinet and into the playing position.



MENU SYSTEM OPERATION

The Main Menu allows you to choose from several options, which in turn lead to other menus to choose from. To access the Main Menu open the coin door, press the Begin Test button, then the Enter button. Press the Up and Down buttons to scroll through the Main Menu. To access a menu, (Bookkeeping, Printouts, etc.), from the Main Menu, press the Enter button. To return to the Main Menu (from Bookkeeping, Printouts, etc.) press the Escape button. Press the Start button for HELP.

MAIN MENU

B. BOOKKEEPING MENU

| | |
|---------------------|----------------------------------|
| B.1 Main Audits | Press Escape |
| B.2 Earning Audits | To move out of a menu selection. |
| B.3 Standard Audits | |
| B.4 Feature Audits | Press Enter |
| B.5 Histograms | To get into a menu selection. |
| B.6 Time-Stamps | |

P. PRINTOUTS MENU

| | |
|----------------------|-----------------------------------------------------------|
| P.1 Earnings Data | Press Up |
| P.2 Main Audits | Increases sequence; Example A.1, A.2, A.3, A.4. |
| P.3 Standard Audits | Press Down |
| P.4 Feature Audits | Decreases sequence; Example A.4, A.3, A.2, A.1. |
| P.5 Score Histograms | |
| P.6 Time Histograms | Use Up or Down to cycle through the selections in a menu. |
| P.7 Time-Stamps | |
| P.8 All Data | |

T. TEST MENU

| | |
|-------------------------------|-----------------------------------------------------------------|
| T.1 Switch Edges Test | Use Escape and Enter to move into and out of the selected menu. |
| T.2 Switch Levels Test | |
| T.3 Single Switches Test | |
| T.4 Solenoid Test | |
| T.5 Flasher Test | |
| T.6 General Illumination Test | |
| T.7 Sound and Music Test | |
| T.8 Single Lamp Test | |
| T.9 All Lamps Test | |
| T.10 Lamp and Flasher Test | |
| T.11 Display Test | |
| T.12 Flipper Coil Test | |
| T.13 Ordered Lamps Test | |
| T.14 Lamp Row-Col. | |
| T.15 DIP Switch Test | |
| T.16 Empty Balls Test | |

U. UTILITIES MENU

| |
|-------------------------|
| U.1 Clear Audits |
| U.2 Clear Coins |
| U.3 Reset H.S.T.D. |
| U.4 Set Time and Date |
| U.5 Custom Message |
| U.6 Set Game I.D. |
| U.7 Factory Adjustments |
| U.8 Factory Resets |
| U.9 Presets |
| U.10 Clear Credits |
| U.11 Auto Burn-in |

L. LANGUAGE/TEXT

| |
|--------------|
| L1. Language |
|--------------|

A. ADJUSTMENT MENU

| |
|--------------------------|
| A.1 Standard Adjustments |
| A.2 Feature Adjustments |
| A.3 Pricing Adjustments |
| A.4 H.S.T.D. Adjustments |
| A.5 Printer Adjustments |

Press the Up or Down buttons to scroll through the Bookkeeping menu. Press the Enter button to access an audit menu. Press the Escape button to return to the Bookkeeping Menu.

B. BOOKKEEPING MENU

- B.1 Main Audits**
- B.2 Earning Audits**
- B.3 Standard Audits**
- B.4 Feature Audits**
- B.5 Histograms**
- B.6 Time-Stamps**

Using the One Button Audit System. The Bookkeeping Menu is obtainable directly from the Attract Mode. Repeatedly pressing the Enter button, while in the Attract Mode, will cycle through all of the game audits.

B.1 MAIN AUDITS

| | | | | | |
|--------|-------------------|----|--------|--------------------|----|
| B.1 01 | Total Earnings | 00 | B.1 06 | Total Plays | 00 |
| B.1 02 | Recent Earnings | 00 | B.1 07 | Replay Awards | 00 |
| B.1 03 | Free Play Percent | 00 | B.1 08 | Percent Replays | 00 |
| B.1 04 | Average Ball Time | 00 | B.1 09 | Extra Balls | 00 |
| B.1 05 | Time Per Credit | 00 | B.1 10 | Percent Extra Ball | 00 |

B.2 EARNING AUDITS

| | | | | | |
|--------|------------------------|----|--------|------------------------|----|
| B.2 01 | Recent Earnings | 00 | B.2 08 | Total Earnings* | 00 |
| B.2 02 | Recent Left Slot | 00 | B.2 09 | Total Left Slot* | 00 |
| B.2 03 | Recent Center Slot | 00 | B.2 10 | Total Center Slot* | 00 |
| B.2 04 | Recent Right Slot | 00 | B.2 11 | Total Right Slot* | 00 |
| B.2 05 | Recent 4th Slot | 00 | B.2 12 | Total 4th Slot* | 00 |
| B.2 06 | Recent Paid Credits | 00 | B.2 13 | Total Paid Credits* | 00 |
| B.2 07 | Recent Service Credits | 00 | B.2 14 | Total Service Credits* | 00 |

*These audits are NOT re-settable. They are a record of the earnings of the game since the "CLOCK 1ST SET" Time-stamp.

B.3 STANDARD AUDITS

| | | | | | |
|--------|--------------------|----|--------|----------------------|----------|
| B.3 01 | Games Started | 00 | B.3 21 | Play Time | 00 |
| B.3 02 | Total Plays** | 00 | B.3 22 | Minutes On | 00 |
| B.3 03 | Total Free Play | 00 | B.3 23 | Balls Played | 00 |
| B.3 04 | Free Play Percent | 00 | B.3 24 | Tilts | 00 |
| B.3 05 | Replay Awards | 00 | B.3 25 | Replay 1 Awards | 00 |
| B.3 06 | Percent Replays | 00 | B.3 26 | Replay 2 Awards | 00 |
| B.3 09 | Match Awards | 00 | B.3 27 | Replay 3 Awards | 00 |
| B.3 10 | Percent Match | 00 | B.3 28 | Replay 4 Awards | 00 |
| B.3 11 | H.S.T.D. Credits | 00 | B.3 29 | 1 Player Games | 00 |
| B.3 12 | Percent H.S.T.D. | 00 | B.3 30 | 2 Player Games | 00 |
| B.3 13 | Extra Ball | 00 | B.3 31 | 3 Player Games | 00 |
| B.3 14 | Percent Extra Ball | 00 | B.3 32 | 4 Player Games | 00 |
| B.3 15 | Tickets Awarded | 00 | B.3 33 | H.S.T.D. Reset Count | 00 |
| B.3 16 | Percent Tickets | 00 | B.3 34 | Burn-in Time† | 00:00:00 |
| B.3 17 | Left Drains | 00 | B.3 35 | 1st Replay Level | 00 |
| B.3 18 | Right Drains | 00 | B.3 36 | Left Flipper | 00 |
| B.3 19 | Average Ball Time | 00 | B.3 37 | Right Flipper | 00 |
| B.3 20 | Average Game Time | 00 | | | |

**"Total Plays" only counts on completed games. A game is considered complete when the final ball begins. Audit information from incomplete games is ignored. Operation for test and service do not affect audits. †This Audit cannot be reset.

B.4 FEATURE AUDITS

| | | |
|---------------------------------------------------------|-----|----|
| B.4 01 Ball Searches | 00% | 00 |
| The number of ball searches. | | |
| B.4 02 Five Ball Searches | 00% | 00 |
| The number of times the ball search cycles five times. | | |
| B.4 03 Ball Saves | 00% | 00 |
| The number of ball saves. | | |
| B.4 04 Left Loop Shots | 00% | 00 |
| The number of left loop shots. | | |
| B.4 05 Left Ramp Shots | 00% | 00 |
| The number of left ramp shots. | | |
| B.4 06 Mine Hits | 00% | 00 |
| The number of times the mine is hit. | | |
| B.4 07 Center Ramp Shots | 00% | 00 |
| The number of center ramp shots. | | |
| B.4 08 Bart Hits | 00% | 00 |
| The number of times Bart is hit. | | |
| B.4 09 Bart Collected | 00% | 00 |
| The number of times Bart is collected. | | |
| B.4 10 Right Loop Shots | 00% | 00 |
| The number of right loop shots. | | |
| B.4 11 Right Ramp Shots | 00% | 00 |
| The number of right ramp shots. | | |
| B.4 12 Mother Lode Lit | 00% | 00 |
| The number of times Mother Lode is lit. | | |
| B.4 13 Stampede Started | 00% | 00 |
| The number of times Stampede is started. | | |
| B.4 14 Combos Complete | 00% | 00 |
| The number of times Combo is completed. | | |
| B.4 15 Showdown Start | 00% | 00 |
| The number of times Showdown is started. | | |
| B.4 16 Bart Brothers Complete | 00% | 00 |
| The number of times Bart Brothers is completed. | | |
| B.4 17 High Noon Start | 00% | 00 |
| The number of times High Noon is started. | | |
| B.4 18 High Noon Win | 00% | 00 |
| The number of times the player wins at High Noon. | | |
| B.4 19 Stranger at the End | 00% | 00 |
| The number of games that end with the rank of stranger. | | |

Feature Audits Continued...

| | | |
|--------------------------------------------------------------------|-----|----|
| B.4 20 Partner at the End | 00% | 00 |
| The number of games that end in the rank of partner. | | |
| B.4 21 Deputy at the End | 00% | 00 |
| The number of games that end in the rank of deputy. | | |
| B.4 22 Sheriff at the End | 00% | 00 |
| The number of games that end in the rank of sheriff. | | |
| B.4 23 Marshal at the End | 00% | 00 |
| The number of games that end in the rank of marshal. | | |
| B.4 24 Left Quick Draw Lit | 00% | 00 |
| The number of times the left quick draw is lit. | | |
| B.4 25 Right Quick Draw Lit | 00% | 00 |
| The number of times the right quick draw is lit. | | |
| B.4 26 Left Quick Draw Start | 00% | 00 |
| The number of times that quick draw is started from the left. | | |
| B.4 27 Right Quick Draw Start | 00% | 00 |
| The number of times that quick draw is started from the right. | | |
| B.4 28 Quick Draw Wins | 00% | 00 |
| The number of times quick draw was won. | | |
| B.4 29 Left Gunfight Start | 00% | 00 |
| The number of times the gunfight is started from the left. | | |
| B.4 30 Right Gunfight Start | 00% | 00 |
| The number of times the gunfight is started from the right. | | |
| B.4 31 Gunfight Wins | 00% | 00 |
| The number of times gunfights were won. | | |
| B.4 32 Skill Extra Ball Lit | 00% | 00 |
| The number of times extra ball is lit from the skill shot. | | |
| B.4 33 Bounty Extra Ball Lit | 00% | 00 |
| The number of times extra ball is lit from the bounty feature. | | |
| B.4 34 Bounty Extra Ball | 00% | 00 |
| The number of times extra ball is awarded from the bounty feature. | | |
| B.4 35 Polly Extra Ball Lit | 00% | 00 |
| The number of times extra ball is lit from Polly Peril. | | |
| B.4 36 Quick Draw Extra Ball Lit | 00% | 00 |
| The number of times extra ball is lit from the quick draw feature. | | |
| B.4 37 Bounty Multiball Start | 00% | 00 |
| The number of times bounty starts main multiball. | | |
| B.4 38 Top Lanes Completed | 00% | 00 |
| The number of times the top lanes are completed. | | |

Feature Audits Continued...

| | | |
|--------------------------------------------------------------------------------------------------------------------------------------------------------------------------------|-----|----|
| B.4 39 Gold Mine Multiball | 00% | 00 |
| The number of times Gold Mine multiball is started. | | |
| B.4 40 Gold Mine Jackpot | 00% | 00 |
| The number of Gold Mine jackpots that are awarded. | | |
| B.4 41 =1 Gold Mine Multiball | 00% | 00 |
| The number of games that end with the player having played exactly one Gold Mine multiball. | | |
| B.4 42 =2 Gold Mine Multiball | 00% | 00 |
| The number of games that end with the player having played exactly two Gold Mine multiballs. | | |
| B.4 43 >=3 Gold Mine Multiball | 00% | 00 |
| The number of games that end with the player having played three or more Gold Mine multiballs. | | |
| B.4 44 Polly Peril Start | 00% | 00 |
| The number of times Polly Peril is started. | | |
| B.4 45 Polly Peril Win | 00% | 00 |
| The number of times Polly is saved during Polly Peril. | | |
| B.4 46 All Showdown Targets | 00% | 00 |
| The number of times all four targets are shot down during showdown. | | |
| B.4 47 Bounty Awards | 00% | 00 |
| The number of bounty awards collected. | | |
| B.4 48 Left Drop Target Up Req. | 00% | 00 |
| The number of times the left-most drop target is raised by the game program. | | |
| B.4 49 Left Drop Target Hits | 00% | 00 |
| The number of times the left-most drop target is knocked down by a pinball. (This total doesn't include the number of times the game program de-energized the drop target.) | | |
| B.4 50 Left Center Drop Target Up Req. | 00% | 00 |
| The number of times the left center drop target is raised by the game program. | | |
| B.4 51 Left Center Drop Target Hits | 00% | 00 |
| The number of times the left center drop target is knocked down by a pinball. (This total doesn't include the number of times the game program de-energized the drop target.) | | |
| B.4 52 Right Center Drop Target Up Req. | 00% | 00 |
| The number of times the right center drop target is raised by the game program. | | |
| B.4 53 Right Center Drop Target Hits | 00% | 00 |
| The number of times the right center drop target is knocked down by a pinball. (This total doesn't include the number of times the game program de-energized the drop target.) | | |
| B.4 54 Right Drop Target Up Req. | 00% | 00 |
| The number of times the right-most drop target is raised by the game program. | | |
| B.4 55 Right Drop Target Hits | 00% | 00 |
| The number of times the right-most drop target is knocked down by a pinball. (This total doesn't include the number of times the game program de-energized the drop target.) | | |

B.5 HISTOGRAMS

| | | | |
|---------------|--------------------------------------|-----|----|
| B.5 01 | 0 to 1.9 Million Scores | 00% | 00 |
| B.5 02 | 2 Million to 4.9 Million Scores | 00% | 00 |
| B.5 03 | 5 Million to 9.9 Million Scores | 00% | 00 |
| B.5 04 | 10 Million to 19.9 Million Scores | 00% | 00 |
| B.5 05 | 20 Million to 29.9 Million Scores | 00% | 00 |
| B.5 06 | 30 Million to 39.9 Million Scores | 00% | 00 |
| B.5 07 | 40 Million to 49.9 Million Scores | 00% | 00 |
| B.5 08 | 50 Million to 59.9 Million Scores | 00% | 00 |
| B.5 09 | 60 Million to 79.9 Million Scores | 00% | 00 |
| B.5 10 | 80 Million to 99.9 Million Scores | 00% | 00 |
| B.5 11 | 100 Million to 149.9 Million Scores | 00% | 00 |
| B.5 12 | 150 Million to 200 Million Scores | 00% | 00 |
| B.5 13 | Over 200 Million Scores | 00% | 00 |
| B.5 14 | Game Time 0.0 to 1.0 Minute | 00% | 00 |
| B.5 15 | Game Time 1.0 Minute to 1.5 Minutes | 00% | 00 |
| B.5 16 | Game Time 1.5 Minutes to 2.0 Minutes | 00% | 00 |
| B.5 17 | Game Time 2.0 Minutes to 2.5 Minutes | 00% | 00 |
| B.5 18 | Game Time 2.5 Minutes to 3.0 Minutes | 00% | 00 |
| B.5 19 | Game Time 3.0 Minutes to 3.5 Minutes | 00% | 00 |
| B.5 20 | Game Time 3.5 Minutes to 4.0 Minutes | 00% | 00 |
| B.5 21 | Game Time 4 Minutes to 5 Minutes | 00% | 00 |
| B.5 22 | Game Time 5 Minutes to 6 Minutes | 00% | 00 |
| B.5 23 | Game Time 6 Minutes to 8 Minutes | 00% | 00 |
| B.5 24 | Game Time 8 Minutes to 10 Minutes | 00% | 00 |
| B.5 25 | Game Time 10 Minutes to 15 Minutes | 00% | 00 |
| B.5 26 | Game Time Over 15 Minutes | 00% | 00 |

B.6 TIME-STAMPS

| | |
|---------------|---------------------|
| B.6 01 | Current Time |
| B.6 02 | Totals Cleared |
| B.6 03 | Clock Last Set |
| B.6 04 | Audits Cleared |
| B.6 05 | Coins Cleared |
| B.6 06 | Factory Setting |
| B.6 07 | Last Game Start |
| B.6 08 | Last Replay |
| B.6 09 | Last H.S.T.D. Reset |
| B.6 10 | Champion Reset |
| B.6 11 | Last Printout |
| B.6 12 | Last Service Credit |

Time-Stamp Menu allows you to view dates and times that are important to game software.

Press the Up or Down buttons to scroll through the Printouts menu. Press the Enter button to access a menu. Press the Escape button to return to the Printouts Menu.

P. PRINTOUTS MENU

(An optional board is required to use the Printouts feature.)

- P.1 Earnings Data**
- P.2 Main Audits**
- P.3 Standard Audits**
- P.4 Feature Audits**
- P.5 Score Histograms**
- P.6 Time Histograms**
- P.7 Time-Stamps**
- P.8 All Data**

The Printouts Menu is a combination of the other menus. This menu allows you to access and print information in the available menu selections.

If no printer is attached the message "Waiting for Printer" appears in the displays. *Note: Set the print specification from the Adjustment Menu, A.5 Printer Adjustments.*

Press the Up or Down buttons to scroll through the Test menu. Press the Enter button to access a test. Press the Escape button to return to the Test menu. During any test, press the Start button to obtain the wire color, driver number, connector number and fuse location.

T. TEST MENU

| | |
|--------------------------------------|------------------------------------|
| T.1 Switch Edges Test | T.9 All Lamps Test |
| T.2 Switch Levels Test | T.10 Lamps And Flasher Test |
| T.3 Single Switch Test | T.11 Display Test |
| T.4 Solenoid Test | T.12 Flipper Coil Test |
| T.5 Flasher Test | T.13 Ordered Lamps Test |
| T.6 General Illumination Test | T.14 Lamp Row-Col. |
| T.7 Sound & Music Test | T.15 DIP Switch Test |
| T.8 Single Lamps Test | T.16 Empty Balls Test |

In order to operate the tests that use the +50V or +20V circuits, pull the top interlock switch button out. The interlock switches are located on a bracket just inside the coin door opening.

The switch matrix, on the left side of the display, shows the state of all switches. A dot indicates the switch is open, a square indicates the switch is closed. The numbers assigned to each switch indicate where the switch is located in the matrix. The number on the left indicates the column, the number on the right indicates the row. Example - Switch 23 is 2nd column, 3rd row.

A short to ground - on either the row or column wire - appears as a shorted row(s). However, a column wire shorted to ground disappears when all of the indicated row switches are open. A row wire shorted to ground does not disappear.

A shorted diode in the switch matrix can cause other switches to appear closed. These "phantom" switches (though not actually closed), complete a rectangle in the switch matrix. Therefore, if two switches in the same column are closed (example; #22 and #24), and a third switch is pressed in another column but in the same row as one of the first two (example; #32), the "phantom" switch #34 is falsely indicated as closed. The switch with the shorted diode is diagonally opposite the "phantom" switch (in this case #22).

T.1 SWITCH EDGES TEST

Press each of the switches one at a time. The name and number of the switch is shown in the display. If a switch other than the one pressed, or no switch at all is indicated, the system has detected a problem with the switch circuit. To return the Test menu, press the Escape button.

T.2 SWITCH LEVELS TEST

This test automatically cycles through all switches that are detected closed. The name and number of each switch that is detected is shown in the display. A filled square indicates the switch's position in the matrix. To return the Test menu, press the Escape button.

T.3 SINGLE SWITCHES TEST

This test isolates a single switch and shows its state in the display. A mechanical switch is 'made' when the display reads closed. An opto switch is 'made' (opto beam broken) when the display reads open. Use the Up or Down buttons to select the switch to be tested. To return the Test menu, press the Escape button.

T.4 SOLENOID TEST

The Solenoid test has three modes -- Repeat, Stop, and Run. Only one solenoid should pulse at a time. The system has detected a problem if more than one solenoid pulses, a solenoid comes on and stays on, or no solenoids pulse during the Repeat and Run modes.

Repeat: The Repeat mode activates an individual solenoid. Press the Enter button to start this test. The name of the first solenoid shows in the display and the corresponding coil pulses. Press the Up or Down buttons to cycle through the solenoids, one at a time. The same solenoid pulses until you press the Up or Down buttons to advance to the next one. To return the Test menu, press the Escape button. To advance to the next test mode, press the Enter button.

Stop: The Stop mode halts the Solenoid test. No solenoids should be active. To return the Test menu, press the Escape button. To advance to the next test mode, press the Enter button.

Run: The Run mode cycles through the solenoids automatically. The display shows the name and number of the solenoid currently being pulsed. To return the Test menu, press the Escape button. To return to the Repeat mode, press the Enter button.

T.5 FLASHER TEST

This tests the flashlamp part of the solenoid circuit. There are three modes -- Repeat, Stop, and Run. During this test the flashlamp circuit named in the display should blink. The system has detected a problem if more than one flashlamp circuit blinks, the lamps stays on, or no lamps blink during the Repeat and Run modes.

Repeat: The Repeat mode pulses an individual flashlamp. Press the Enter button to start this test. The name and number of the first flashlamp is displayed and the corresponding bulb(s) blinks. The same bulb(s) blinks until you press the Up or Down buttons to advance to the next one. To return to the Test menu, press the Escape button. To advance to the next test mode, press the Enter button.

Stop: The Stop mode halts the Flasher test. There should not be any flashlamps lit during this mode. To return to the Test menu, press the Escape button. To advance to the next test mode, press the Enter button.

Run: The Run mode cycles through the flashlamps automatically. The display shows the name and number of the flashlamp circuit currently being pulsed as the corresponding bulb(s) flashes. To return to the Test menu, press the Escape button. To return to the Repeat mode, press the Enter button.

T.6 GENERAL ILLUMINATION TEST

This test checks all of the General Illumination circuits. There are two modes of operation -- Stop and Run.

Note: General Illumination strings four & five do not brighten or dim, they are always ON.

Stop: The Stop mode allows you to cycle through the General Illumination test manually. Press the Up or Down buttons to advance through the test. All illumination is tested first, followed by an individual circuit test. The circuit name and number shows in the display while the corresponding bulbs light. If any other results occur the system has detected an error. To return to the Test menu, press the Escape button. To advance to the next test mode, press the Enter button.

T.6 General Illumination Test Continued...

Run: The Run mode cycles through the General Illumination test automatically. For each circuit shown in the display the corresponding bulbs should light. If any other results occur, the system has detected a problem. To return to the Test menu, press the Escape button. To return to the Stop mode, press the Enter button.

T.7 SOUND AND MUSIC TEST

The Sound and Music test checks the audio circuits. This test has three modes for testing the sound and music circuits -- Run, Repeat, and Stop.

Run: The Run mode steps through a sequence of sounds and music. Press the Up or Down buttons to advance to a particular sound or tune. A sound or tune should be heard for each name and number that appears in the display. Any other results indicate the system has detected a problem. To return to the Test menu, press the Escape button. To advance to the next test mode, press the Enter button.

Repeat: The Repeat mode causes the program to stop and repeat a particular sound/tune. The same sound repeats continuously until you press the Up or Down buttons to advance to the next one. Any other results indicates the system has detected a problem. To return to the Test menu, press the Escape button. To advance to the next test mode, press the Enter button.

Stop: The Stop mode stops this test altogether. Nothing should be heard. Any other results indicate the system has detected a problem. To return to the Test menu, press the Escape button. To return to the Run mode, press the Enter button.

T.8 SINGLE LAMP TEST

The number assigned to each lamp indicates the lamp's position in the matrix. The number on the left indicates the column. The number on the right indicates the row. Example - Lamp 23 means 2nd column, 3rd row.

The Single Lamp test checks each lamp circuit individually. Press the Up or Down buttons to scroll through this test. A lamp should light for each name and number that is displayed. Any other results indicate the system has detected a problem. To return to the Test menu, press the Escape button.

T.9 ALL LAMPS TEST

This test causes all the controlled lamps to flash at the same time. Every controlled lamp should flash. Any other results indicate the system has detected a problem. To return to the Test menu, press the Escape button.

T.10 LAMP AND FLASHER TEST

This test causes all the flashlamps and the controlled lamps to flash at the same time. The controlled lamps blink, while the flashlamps cycle from highest to lowest. Any other results indicate the system has detected a problem. To return to the Test menu, press the Escape button.

T.11 DISPLAY TEST

This test automatically checks every dot in the Dot Matrix Display board. A series of patterns appear in sequence. Each pattern turns on and off a section of dots. Every dot on the matrix display should be turned on and off during this test. To return to the Test menu, press the Escape button.

T.12 FLIPPER COIL TEST

The Flipper Coil test has three modes -- Repeat, Stop, and Run. Only one flipper should pulse at a time. The system has detected a problem if more than one flipper pulses, a flipper comes on and stays on, or no flippers pulse during the Repeat and Run modes.

Repeat: The Repeat mode activates an individual flipper. Press the Enter button to begin the test. Press the Up or Down buttons to cycle through the flipper coils one at a time. To return to the Test menu, press the Escape button. To advance to the next test mode, press the Enter button.

Stop: The Stop mode halts the Flipper Coil test. No coils should pulse while the test is stopped. To return to the Test menu, press the Escape button. To advance to the next test mode, press the Enter button.

Run: The Run mode cycles through the flippers automatically. The display shows the name and number of the flipper coil currently being pulsed. To return to the Test menu, press the Escape button. To return to the Repeat mode, press the Enter button.

T.13 ORDERED LAMPS TEST

The number assigned to each lamp indicates the lamp's position in the matrix. The number on the left indicates the column. The number on the right indicates the row. Example - Lamp 23 means 2nd column, 3rd row.

This test checks each lamp circuit individually. Press the Up or Down buttons to cycle through the lamps. Lamps light in a clock-wise or counter clock-wise direction starting from the bottom of the playfield. The direction depends on whether the Up or Down button is pressed. For each name and number that is shown in the display, the corresponding lamp should light. Any other results indicate the system has detected a problem. To return to the Test menu, press the Escape button.

T.14 LAMP ROW - COLUMN

This test allows individual rows and columns in the lamp matrix to be operated. This is useful for troubleshooting wiring and driver problems.

Press the Up and Down buttons to cycles through the different rows and columns. To return to the Test menu, press the Escape button.

T.15 DIP SWITCH TEST

This test is used to show the positions of the DIP switches on the CPU board (U27). To return to the Test menu, press the Escape button.

T.16 EMPTY BALLS TEST

This test kicks out all balls loaded in troughs, lockups, poppers, and kick-outs until no balls remain in those locations.

Note: *As the trough kicks out balls, they will stack up in the shooter groove, which may require manual clearing in order to allow further balls to be kicked out.*

To scroll through the Utilities menu, press the Up or Down buttons. To access a utility, press the Enter button. To see the setting choices of a utility option, press the Up and Down buttons. Press the Enter button to lock in a choice. If you make a mistake, press Escape while "Saving Adjustment Value" is in the display. The original setting is retained and the new setting is ignored. To return to the Utilities menu, press the Escape button.

U. UTILITIES MENU

| | | | |
|------------|----------------------------|-------------|----------------------------|
| U.1 | Clear Audits | U.7 | Factory Adjustments |
| U.2 | Clear Coins | U.8 | Factory Reset |
| U.3 | Reset H.S.T.D. | U.9 | Preset |
| U.4 | Set Time & Date | U.10 | Clear Coins |
| U.5 | Custom Message | U.11 | Auto Burn-in |
| U.6 | Set Game I.D. | | |

U.1 CLEAR AUDITS

Press the Enter button to clear the Standard Audits (except Burn-in Time), Feature Audits, and Histograms.

U.2 CLEAR COINS

Press the Enter button to clear the Earnings Audits.

U.3 RESET H.S.T.D.

Press the Enter button to clear the High Score to Date Table and the Grand Champion.

U.4 SET TIME AND DATE

Press the Enter button to activate the time and date. Use the Up or Down buttons to change the value, then press the Enter button to lock in that value. If you make a mistake press the Escape button while "Saving Adjustment Value" is displayed. The new value is ignored and the original value is retained.

U.5 CUSTOM MESSAGE *Set A.1 20 to ON before trying to write a custom message.*

Press the Enter button to begin entry of the custom message. Use the Up or Down buttons to cycle through letters. Use the Start button to cycle through punctuation marks. Press the Enter button to lock in the desired letter and punctuation. If you make a mistake, use Up and Down to select the "back-arrow" character. The "back-arrow" character is located before the space character and after the number nine. Press Enter while the back-arrow shows to erase the previously entered character. Once the message is complete, press and hold the Enter button until "Message Stored" is displayed.

Press the Escape button to cancel the new message. The message "Press Enter to Reset" appears. If Enter is pressed, the custom message is cleared and no message is displayed. If Escape is pressed, the original message remains intact.

U.6 SET GAME I.D.

This utility allows for the installation of a message, such as game location, that only appears on the printouts. Press the Enter button to activate Set Game I.D. Use the Up or Down buttons to cycle through letters. Use the Start button to cycle through punctuation marks. Press the Enter button to lock in desired letters and punctuation marks.

U.7 FACTORY ADJUSTMENT

Press the Enter button to restore the adjustments to factory settings.

U.8 FACTORY RESET

Press the Enter button to restore the adjustments to their factory setting, clear the Audits, H.S.T.D. Table, and Custom Message/Game I.D.

U.9 PRESETS

Use the Up or Down buttons to cycle through the available Presets. When the desired Preset is displayed, press the Enter button to lock in that Preset. If you make a mistake, press the Escape button while "Saving Adjustment Value" is displayed. The new value is ignored and the original value is retained.

Game Difficulty Levels The game play difficulty adjustments can be changed to a combination that is MUCH LESS to MUCH MORE difficult than Factory Settings. The Game Difficulty Setting Table lists the adjustments and settings that comprise the individual group.

| | |
|----------------------------------|-----------------------------------------------|
| U.9 01 INSTALL EXTRA EASY | MUCH LESS difficult than factory setting. |
| U.9 02 INSTALL EASY | Somewhat LESS difficult than factory setting. |
| U.9 03 INSTALL MEDIUM | Nearly the SAME as factory setting. |
| U.9 04 INSTALL HARD | Somewhat MORE difficult than factory setting. |
| U.9 05 INSTALL EXTRA HARD | MUCH MORE difficult than factory setting. |

**DIFFICULTY SETTING TABLE FOR
U.S., CANADIAN, FRENCH, GERMAN, AND EUROPEAN GAMES**

| Adj. # | Adj. Description | Extra Easy U.9 01 | Easy U.9 02 | Medium U.9 03 (factory) | Hard U.9 04 | Extra Hard U.9 05 |
|--------|--------------------|----------------------|----------------|-------------------------------|----------------|----------------------|
| A.2 01 | BALL SAVES | | | | | |
| A.2 02 | BALL SAVE TIME | | | | | |
| A.2 03 | EXTRA BALL PERCENT | | | | | |
| A.2 05 | | | | | | |
| A.2 06 | | | | | | |
| A.2 08 | | | | | | |
| A.2 09 | | | | | | |
| A.2 13 | | | | | | |

U.9 06 INSTALL 5 BALL

U.9 07 INSTALL 3 BALL

Adjustments U.9 06 and U.9 07 can be used to change a game to 3 or 5 ball play, including changing of certain features to the recommended 3-and 5-ball level. The Preset Game Adjustments Table for U.S./Canadian Games lists the adjustments and settings that comprise the individual groups.

PRESET ADJUSTMENTS TABLE FOR U.S. AND CANADIAN GAMES

| Adj. # | Adj. Description | Install 5-ball U.9 06 | Install 3-ball U.9 07 |
|--------|------------------|--------------------------|--------------------------|
| A.1 01 | BALL PER GAME | 05 | 03 |
| A.1 07 | REPLAY START | | |
| A.2 06 | | | |
| A.2 08 | | | |
| A.2 10 | | | |
| A.2 11 | | | |
| A.2 13 | | | |

U.9 08 INSTALL ADD-A-BALL

This option deletes all Free Play awards and replaces them with Extra Ball awards. Individual adjustments are affected, as follows:

| Adjust. | Name | New Settings |
|---------|----------------------|--------------|
| A.1 13 | Replay Boost | Off |
| A.1 14 | Replay Award | Extra Ball |
| A.1 15 | Special Award | Extra Ball |
| A.1 17 | Extra Ball Ticket | No |
| A.1 19 | Match Feature | Off |
| A.4 04 | Champion Credits | 00 |
| A.4 05 | High Score 1 Credits | 00 |
| A.4 06 | High Score 2 Credits | 00 |
| A.4 07 | High Score 3 Credits | 00 |
| A.4 08 | High Score 4 Credits | 00 |

U.9 09 INSTALL TICKET

This option deletes Credit awards and replaces them with Ticket awards. Individual adjustments are affected as follows:

| Adjust. | Name | New Settings |
|---------|-----------------------|--------------|
| A.1 14 | Replay Award | Ticket |
| A.1 15 | Special Award | Ticket |
| A.1 16 | Match Award | Ticket |
| A.1 17 | Extra Ball Ticket | Yes |
| A.1 31 | Ticket Expansion Brd. | Yes |
| A.4 02 | H.S.T.D. Award Ticket | Yes |

U.9 10 INSTALL NOVELTY

This option removes all Free Play and Extra Ball awards. Individual adjustments are affected as follows:

| Adjust. | Name | New Settings |
|---------|----------------------|--------------|
| A.1 04 | Maximum Extra Ball | Off |
| A.1 05 | Replay system | Fixed |
| A.1 09 | Replay Level 1 | Off |
| A.1 10 | Replay Level 2 | Off |
| A.1 11 | Replay Level 3 | Off |
| A.1 12 | Replay Level 4 | Off |
| A.1 15 | Special Award | Points |
| A.1 19 | Match Feature | Off |
| A.4 01 | Highest Score | On |
| A.4 04 | Champion Credit | 00 |
| A.4 05 | High Score 1 Credits | 00 |
| A.4 06 | High Score 2 Credits | 00 |
| A.4 07 | High Score 3 Credits | 00 |
| A.4 08 | High Score 4 Credits | 00 |

U.9 11 NOT USED

U.9 12 SERIAL CAPTURE

This sets up the printer adjustments for a serial transmission to a laptop computer, (9600 baud, 40 column, no page breaks, serial printer). This option requires the installation of the optional printer kit; part number 63110.

U.9 13 TO U.9 16 NOT USED

U.9 17 INSTALL GERMAN 1

U.9 18 INSTALL GERMAN 2

U.9 19 INSTALL GERMAN 3

U.9 20 INSTALL GERMAN 4

U.9 21 INSTALL GERMAN 5

U.9 22 INSTALL GERMAN 6

Adjustments U.9 17 through U.9 22 are used to modify game pricing and type of play.

U.9 23 INSTALL FRENCH 1

U.9 24 INSTALL FRENCH 2

U.9 25 INSTALL FRENCH 3

U.9 26 INSTALL FRENCH 4

U.9 27 INSTALL FRENCH 5

U.9 28 INSTALL FRENCH 6

Adjustments U.9 23 through U.9 28 are used to modify game pricing and type of play.

U.10 CLEAR CREDITS

Press the Enter button to clear the game Credits.

U.11 AUTO BURN-IN

Press the Enter button to activate Auto Burn-in. This utility automatically cycles through several tests. This helps in finding intermittent problems. The tests that Auto Burn-in cycles through are: the Display Test, the Sound and Music Test, the All Lamps Test, the Solenoid Test, the Flashers Test, the General Illumination Test, and the Flipper Coil Test. All of the tests run concurrently. The time spent on the burn-in cycle and the total time the game has spent in burn-in are displayed.

To access the language/text menu option, press the Enter button. To see the setting choices for that option press the Up and Down buttons. To lock in a setting choice, press the Enter button. If you make a mistake, press the Escape button while "Saving Adjustment Value" is in the display. The original setting is retained and the new setting is ignored. Press the Escape button to return to the Language/Text menu.

L. LANGUAGE/TEXT

L.1 Language

The only options available from the Language menu are English, French, German, and Spanish.

Press the Up or Down buttons to scroll through the Adjustments menu. To access an adjustment menu option, press the Enter button. To see the setting choices for that option press the Up and Down buttons. To lock in a setting choice, press the Enter button. If you make a mistake, press the Escape button while "Saving Adjustment Value" is in the display. The original value is retained and the new value is ignored. Press the Escape button to return to the Adjustment menu.

A. ADJUSTMENTS MENU

A.1 Standard Adjustments

A.2 Feature Adjustments

A.3 Pricing Adjustments

A.4 High Score to Date Adjustments (H.S.T.D.)

A.5 Printer Adjustments (optional board required)

A.1 STANDARD ADJUSTMENTS

A.1 01 BALLS PER GAME

A "game" is defined by specifying the number of balls to be played.

Settings: 1 to 10

Factory Default: 3

A.1 02 TILT WARNINGS

The number of total actuation's of the plumb bob that can occur before the game is "tilted".

Settings: 1 to 10

Factory Default: 3

A.1 03 MAXIMUM EXTRA BALLS COUNT

The number of extra balls that a player may accumulate.

Settings: 0 to 10
NO EXTRA BALL - No extra balls may be accumulated.

Factory Default: 4

A.1 04 MAXIMUM EXTRA BALLS PER BALL IN PLAY

The number of extra balls to be awarded per ball in play.

Settings: OFF - No maximum number of extra balls per ball in play.
1 to 10 - 1 through 10 extra balls per ball in play.

Factory Default: OFF

A.1 05 REPLAY SYSTEM

The type of replay system to be used.

Settings: FIXED - Replay value is set and does not change during game play.
AUTO % - Replay starting value is set but changes every 50 games to comply with the percentage of replays desired.
OFF - Disable the replay system. No replays are awarded.

Factory Default: AUTO %

A.1 06 REPLAY PERCENT

The percentage of replays the players are able to earn when Auto Replay is used.

Settings: 5% to 50%

Factory Default: 10%

A.1 07 REPLAY START

Replay Start value when Auto % Replay is used.

Settings: 5,000,000 to 300,000,000

Factory Default: 30,000,000

A.1 08 REPLAY LEVELS

The number of replay levels used by the Auto % Replay mode. When two replay levels are chosen, the second replay level is automatically adjusted to twice the starting replay level. When three or four replay levels are chosen, their values are automatically adjusted to three or four times the starting replay level.

Settings: 1 to 4

Factory Default: 1

A.1 09 REPLAY LEVEL 1

A.1 10 REPLAY LEVEL 2

A.1 11 REPLAY LEVEL 3

A.1 12 REPLAY LEVEL 4

The value to be used for the 1st through 4th Fixed Replay.

Settings: 00 to 300,000,000.

A.1 13 REPLAY BOOST

The replay score can be temporarily boosted by the selected amount EACH time the player reaches or exceeds the replay score. This temporary boost is canceled when credits equal 0; the player inserts another coin, or when Begin Test is pressed.

Settings: AUTO - The Replay Boost value is half of the current Replay value.
ON - Score is boosted between 2,000,000 and 25,000,000 points.
OFF - Replay score is not boosted.

Factory Default: AUTO

A.1 14 REPLAY AWARD

The form of award automatically provided when the player exceeds any replay level for either Auto % Replay or Fixed Replay.

Settings: CREDIT - Reaching each replay level awards credit.
TICKET - Reaching each replay level awards a ticket.
BALL - Reaching each replay level awards an extra ball.
AUDIT - Reaching each replay level awards nothing to the player; it does increase the entry value of the audit item(s) maintaining a tally of these awards.

Factory Default: CREDIT

A.1 15 NOT USED

A.1 16 MATCH AWARD

The award automatically provided when the players win a match.

Settings: CREDIT - Winning a match awards a credit.
TICKET - Winning a match awards a ticket.

Factory Default: CREDIT

A.1 17 EXTRA BALL TICKET

A ticket is awarded when the player earns an extra ball.

Settings: YES - The player is awarded a ticket in addition to an extra ball.
NO - The player is not awarded a ticket.

Factory Default: NO

A.1 18 MAXIMUM TICKET/PLAYER

The amount of tickets each player can earn.

Settings: 00 to 100.

Factory Default: 25

A.1 19 MATCH FEATURE

This is the desired percentage for the Match Feature occurring at the end of the game.

Settings: OFF - Match Feature is not available.
1 to 50% - 1% is 'hard'; 50% is 'extremely easy'. The Match Feature selects random points score value at the end of the game and compares each player's score for an identical match. A match of an entire score value results in an award of a Credit or a Ticket.

Factory Default: 7%

A.1 20 CUSTOM MESSAGE

The message displayed during the Attract mode.

Settings: ON - A message is displayed
OFF - A message is not displayed.

Factory Default: ON

A.1 21 LANGUAGE

The language the game uses.

Settings: ENGLISH, FRENCH, GERMAN, OR SPANISH

Factory Default: ENGLISH

A.1 22 CLOCK STYLE

The style of clock the game uses.

Settings: A.M./P.M. or 24 hours.

Factory Default: A.M./P.M.

A.1 23 DATE STYLE

The style of dates the game uses.

Settings: MONTH/DATE/YEAR OR DATE/MONTH/YEAR

Factory Default: MONTH/DATE/YEAR

A.1 24 SHOW DATE AND TIME

The date and time show in the Attract mode.

Settings: YES - Show the date, time in status report or in the Attract mode.
NO - Do not show date, time in status report or in the Attract mode.

Factory Default: NO

A.1 25 ALLOW DIM ILLUMINATION

The game program dims the general illumination for special effects and during the Attract mode.

Settings: YES - Dim the general illumination during the Attract mode.
NO - Do not dim the general illumination.

Factory Default: YES

A.1 26 TOURNAMENT PLAY

Equalize random game features and global score values during multi-player games.

Settings: YES - Equalize random game features and global score values.
NO - Do not equalize random game features and global score values.

Factory Default: NO

A.1 27 EUROPEAN SCORE FORMAT

Use either commas or dots between digits when numbers are displayed.

Settings: YES - Dots instead of commas, (example- 1.000.000).
NO - Commas instead of dots, (example- 1, 000, 000).

Factory Default: NO

A.1 28 MINIMUM VOLUME OVERRIDE

The volume can be turned off.

Settings: YES - Volume can be turned off.
NO - Volume can be turned down but not off.

Factory Default: NO

A.1 29 GENERAL ILLUMINATION POWER SAVER

This allows the general illumination and controlled lamps to be dimmed following a time interval after a game is played. Power Saver Level (A.1 30) determines dimness of the lamps. Using this feature substantially increases the life of the lamps.

Settings: OFF, 2 to 60 minutes.

Factory Default: 15 minutes

A.1 30 POWER SAVER LEVEL

When General Illumination Power Saver (A.1 29) is set for 2 to 60 minutes, the Power Saver Level controls the intensity of the general illumination and controlled lamps after the game has been idle for the specified period of time.

Settings: 4 to 7 (4 = dimmest, 7 = brightest)

Factory Default: 5

A.1 31 TICKET EXPANSION BOARD

When a Ticket Expansion board is connected, full control of the ticket dispenser is available. This includes a ticket low/error lamp, resume on ticket jam switch and manual ticket dispense switch.

Settings: YES - Ticket Expansion board is connected.
NO - Ticket Expansion board is NOT installed in the game.

Factory Default: NO

A.1 32 NO BONUS FLIPS

The activation of flippers during the end of ball "bonus" sequence. Setting to "YES" may extend the life of the flipper mechanisms.

Settings: YES, NO

Factory Default: YES

A.1 33 GAME RESTART

When you press the Start button during or after the 2nd ball, the game in progress ends and a new game begins. This adjustment has three settings to determine how to handle this.

Settings: NEVER - Do not allow a new game start until the current game is over.
SLOW - Restart if the Start button is pressed continuously for over 1/2 second. This helps to prevent the unintended restart of the game in progress.
INSTANTLY - Restart as soon as the Start button is pressed.

When you press the Start button during game over, or during the 1st ball (to add a player), it is always handled instantly.

Factory Default: SLOW

A.1 34 ALLOW CHASE BALL

The Chase Ball feature will attempt to keep a game operational in the event that a ball becomes stuck on the playfield. After a number of unsuccessful ball searches, the game software will end the player's current ball, give a bonus award, then serve a new ball (or end the game if that was the last ball in the player's game). This ball 'chases' the stuck ball on the playfield and will hopefully knock it loose.

Setting this adjustment to NO will revert to the previous WPC behavior of searching endlessly until the stuck ball becomes freed, or the machine's power is turned off and back on.

Settings: YES, NO

Factory Default: YES

A.2 FEATURE ADJUSTMENTS

A.2 01 PLAYER TOURNAMENT MODE

This adjustment controls the player select tournament mode.

Settings: YES – Play select tournament mode is available.
NO – Play select tournament mode is not available.

Default: YES

A.2 02 BALL SAVES

This adjustment determines the number of "full" Ball Saves that each player receives in a game. A ball that is "saved" will be returned to play without a change in the player up number or the ball in play number. A "full" Ball Save is "used" if a ball drains after it is launched into play within the amount of time specified by A.2 03 (Ball Save Time). Once all "full" Ball Saves are used, balls will no longer be returned to play should they drain quickly after being launched into play.

Settings: OFF - Balls will not be saved.
1 to 5: - 1 to 5 "full" Ball Saves given to each player per game.

Default: 1

A.2 03 BALL SAVE TIME

This adjustment determines the number of seconds in which a ball may drain after being launched into play, such that it will be returned to play without a change in the player up number or the ball in play number.

Settings: 2 to 8: - 2 to 8 seconds.

Default: 4

A.2 04 ATTRACT MODE MUSIC AND SPEECH

This adjustment is used to allow the playing of music and speech in the Attract Mode.

Settings: YES - Allow music and speech in Attract Mode.
NO - Do NOT allow music or speech in Attract Mode.

Default: NO

A.2 05 TIMED PLUNGER

This adjustment specifies the number of seconds before automatically plunging a ball onto the playfield that can otherwise be plunged by the player via the launch button.

Settings: OFF - Never automatically plunge a ball onto the playfield that can otherwise be plunged by the player via the launch button.
29-90: The number of seconds before automatically plunging the ball.

Default: OFF

A.2 06 FLIPPER PLUNGER

When this adjustment is set to YES, the right flipper will cause a ball sitting in the shooter lane to be launched onto the playfield. This adjustment is provided for use when the launch button is broken and/or intermittent. The game will automatically detect a broken launch button, but it may take several games to perform the detection. In this case, set this adjustment to YES until the launch button can be repaired.

Settings: YES - Allow the right flipper to launch a ball sitting in the shooter lane.
NO - Do NOT allow the right flipper to launch a ball sitting in the shooter lane.

Default: NO

A.2 07 QUICK DRAW DIFFICULTY

This adjustment determines the starting difficulty for quick draw.

Settings: EXTRA EASY
EASY
MEDIUM
HARD
EXTRA HARD

Default: EXTRA EASY

A.2 08 LIGHT QUICK DRAW DIFFICULTY

This adjustment determines the difficulty involved in order to light the quick draw return lanes.

Settings: EASY
MEDIUM
HARD

Default: EASY

A.2 09 QUICK DRAWS AT START

This adjustment determines the number of quick draws that are lit at the start of the first ball.

Settings: 0 – There are no quick draws lit at the start of the first ball.
1 – There is one quick draw lit at the start of the first ball.

Default: 0

A.2 10 QUICK DRAWS FOR EXTRA BALL

This adjustment determines how many quick draws must be lit to obtain an extra ball.

Settings: OFF, 3, 4, 5, or 6

Default: 3

A.2 11 STARTING RANK

This adjustment determines the starting rank of the player at the beginning of the game.

Settings: STRANGER
PARTNER
DEPUTY

Default: STRANGER

A.2 12 COMBOS FOR STAR

This adjustment determines the number of combos required in order to obtain star-point.

Settings: 5 to 10

Default: 10

A.2 13 NUMBER OF BART BROTHERS

This adjustment determines the number of Bart Brother scores need before Star is awarded.

Settings: 1 to 7

Default: 3

A.2 14 TRAIN MECHANISM

This adjustment allows the train mechanism to be disabled. When the train is disabled with this adjustment, it parks at the end of the track.

Settings: YES
NO

Default: YES

A.2 15 POLLY EXTRA BALL AVAILABLE

The adjustment determines whether or not an extra ball can be obtained from the Polly feature.

Settings: YES
NO

Default: YES

A.2 16 POLLY AWARD SHOTS

The adjustment determines the number of Polly shots that are necessary before the extra ball light is lit.

Settings: 3 to 9

Default: 5

A.2 17 GUNFIGHT TIMER

This adjustment determines how long a gunfight lasts (in seconds), before the drop target falls back down.

Settings: 3 to 10 seconds

Default: 6 seconds

A.2 18 BOUNTY LIT BALL 1

This adjustment determines whether or not bounty is lit at the start of the first ball.

Settings: YES
NO

Default: NO

A. 3 PRICING ADJUSTMENTS

A.3 01 GAME PRICING (If set to custom, then 02 to 09 are available).

The cost of a game is selected here from the Standard Pricing Table or by using the custom pricing editor (A.3 27).

A.3 02 to A.2 09 NOT USED

A.3 10 COIN DOOR TYPE (If set to custom, then 11 to 15, 20 and 25 are available).

This adjustment is used to preset adjustments 11 through 15, 20 and 25, based on standard coin doors.

A.3 11 COLLECTION TEXT

The coin system is used to display the Earning Audits.

A.3 12 LEFT SLOT VALUE

A.3 13 CENTER SLOT VALUE

A.3 14 RIGHT SLOT VALUE

A.3 15 4TH SLOT VALUE

These are the values for the coins for these respective coin slots. These values are used for determining collection totals. The corresponding adjustments A.3 28 (Left Slot Credit Value) through A.3 31 (4th Slot Credit Value) typically contain the same values and are used to determine the number of credits awarded for the coin slot. Whenever these values are changed, the new value is copied to the corresponding A.3 28 through A.3 31 adjustment. If a bonus is desired for a particular coin (such as three credits for dollar coin), then the corresponding A.3 28 through A.3 31 "Credit Value" adjustment should be modified to award the bonus. See "Bonus for Special Coin" section for more information.

A.3 16 MAXIMUM CREDITS

The maximum number of credits the game can accumulate, either through game plays awards or coin purchases. The range of this setting is 5 through 99. Reaching the specified setting prevents the award of any credits. Factory default is 10.

A.3 17 FREE PLAY

A player can operate the game without a coin (free play), or with a coin.

- NO - A coin is necessary for game play.
- YES - Game play is free; no coin required.

A.3 18 HIDE COIN AUDITS

The coin audits may, or may not, be displayed.

- YES - The coin audits are not displayed.
- NO - The coin audits are displayed.
- HIDE NAMES - The coin audit value is shown but not the audit name.

A.3 19 NOT USED

A.3 20 BASE COIN SIZE

This is the smallest unit of coin that may be used when creating a custom pricing mode using the Pricing Editor (A.3 27). For example, in the USA this is typically \$0.25. All pricing levels are then specified in 25 cents (or greater) increments.

A.3 21 COIN METER UNITS

The adjustment determines the value of each coin unit on the coin meter. For example, to show the total amount of money collected as total quarters, set the adjustment to 0.25. To show the total amount of money collected as "total dollars", set this adjustment to 1.00. Setting this adjustment to anything other than OFF establishes the coin unit for the meter installed on the Coin Door Interface board. **Note:** All WPC-95 games are cable ready to operate a coin meter mounted to the Coin Door Interface board. Boards without a meter can use the parts listed below to take advantage of the coin meter feature. The coin meter and spacer may be purchased from your distributor. coin meter +6V p/n 20-9302-3; spacer p/n 20-9914

A.3 22 DOLLAR BILL SLOT

The system normally requires 150 microseconds between coin pulses. This is too long a delay for a fast-pulsing dollar bill validator. This adjustment may be used to tell the game that there is a fast-pulsing dollar bill validator connected to one of the coin switches.

NONE = No validator connected.
LEFT = Validator connected to left slot.
CENTER = Validator connected to center slot.
RIGHT = Validator connected to right slot
FOURTH = Validator connected to fourth.

A.3 23 MINIMUM COIN MILLISECONDS

This is the minimum width required for coin pulses to be accepted as valid coins. This may be changed to prevent certain kinds of cheating.

A.3 24 NOT USED

A.3 25 ALLOW HUNDREDTHS

This is used for a custom door specifier. If set to YES, then the values for A.3 12-15 are specified in units and hundredths (such as dollars and quarters). If set to NO, then all values are in units (such as Francs and Lire.)

A.3 26 CREDIT FRACTION

This determines the smallest fraction used for credits. It must be even to accommodate the extra ball buy-in option of 1/2 credit, and is typically 1/2 but may need to be a different value for modes requiring more coins per credit.

A.3 27 PRICING EDITOR

This function is now used to enter information for a custom pricing mode. The adjustment A.3 26 (Credit Fraction) may need to be set before entering the custom pricing editor. This specifies the smallest fraction available for partial credits.

Because of availability of an extra ball (buy-in) for 1/2 credit, this value is always even (1/2, 1/4, 1/6etc.). The typical setting for A.3 26 is 1/2 (such that there are only full credits and half credits) but you may need to use a different value for other pricing modes.

Please note that formerly, the coin values specified by custom coin doors adjustments A.3 12-15 only affected audit totals that showed collection totals. In the 10/94 pricing system, these coin values are added up for each coin received and credits are awarded based on pricing levels being reached. The pricing editor described here allows you to set these levels, however it may be necessary for you to set A.3 10 (Coin Door Type) to CUSTOM and then change A.3 11-15, 20 and 25 to reflect the value of the coins being used. This is usually NOT NECESSARY, but must be done BEFORE using the custom pricing editor when it is necessary.

Begin the custom pricing function by pressing the Enter button while A.3 27 Pricing Editor is showing in the display.

The pricing editor will now show the data for the currently selected pricing mode. If this is the 1st use of the pricing editor then this will show the last built-in pricing that was selected. Otherwise it will be the last custom mode created by this function. (Note that A.3 01 will display Custom any time a non-standard pricing has been selected.)

Assuming the last mode installed was 1/\$0.50, 2/\$0.75, 3/\$1.00 the display appears as follows:

| CUSTOM PRICING EDITOR | | |
|-----------------------|--------|-----------|
| 1) | \$0.25 | 1/2 cred. |
| 2) | \$0.50 | 1 cred. |
| 3) | \$0.75 | 2 cred. |
| 4) | \$1.00 | 3 cred. |

DISPLAY VIEW

The \$0.25 field will be flashing. You may now use the test mode buttons to perform the following functions:

Escape:

Undo any changes to the current field and move to the previous field.

"-" (Down):

Make the current field lower.

"+" (Up):

Make the current field higher.

Enter:

Save any changes to the current field and move to the next field. Note that there are 2 columns of fields. Price levels are in the left column and credit levels are in the right column. Pressing Enter will move from left column to right column before moving to the next line.

Start:

Save the current price mode or start over

By using the above functions, you simply enumerate each pricing level and the number of credits that should be awarded at that level. Please note that you must specify each fractional level in sequence.

| | | | | |
|----------|----------|-------------|----------|----------|
| Example: | 1/\$0.50 | 2/\$1.00 | 4/\$1.50 | 6/\$2.00 |
| 1) | \$0.25 | 1/2 cred. | | |
| 2) | \$0.50 | 1 cred. | | |
| 3) | \$0.75 | 1 1/2 cred. | | |
| 4) | \$1.00 | 2 cred. | | |
| 5) | \$1.25 | 2 1/2 cred. | | |
| 6) | \$1.50 | 4 cred. | | |
| 7) | \$1.75 | 4 1/2 cred | | |
| 8) | \$2.00 | 6 cred. | | |

Also note that once the value of the coins repeat that no further specification is necessary.

| | | |
|----------|----------|-----------|
| Example: | 1/\$0.50 | 2/\$1.00 |
| 1) | \$0.25 | 1/2 cred. |

In the above example, only one line needs to be specified, indicating that 1/2 credit is awarded for each \$0.25 received.

Special Features:

There are some special features available by pressing the Down button while in the left column. The following words will be displayed instead of a pricing level:

| | | | |
|-----------------|-----------------|------------------|------------------|
| <i>End</i> | <i>Repeat 3</i> | <i>Repeat 9</i> | <i>Repeat 15</i> |
| <i>Delete</i> | <i>Repeat 4</i> | <i>Repeat 10</i> | <i>Repeat 16</i> |
| <i>Insert</i> | <i>Repeat 5</i> | <i>Repeat 11</i> | <i>Repeat 17</i> |
| <i>Clear</i> | <i>Repeat 6</i> | <i>Repeat 12</i> | <i>Repeat 18</i> |
| <i>Repeat 1</i> | <i>Repeat 7</i> | <i>Repeat 13</i> | <i>Repeat 19</i> |
| <i>Repeat 2</i> | <i>Repeat 8</i> | <i>Repeat 14</i> | <i>Repeat 20</i> |

Pressing Enter with the above words selected will activate the following instructions:

End

This is the same as pressing the Start button. A menu of choices will be provided (see Start Button later in this section).

Delete

This deletes the current level from the pricing mode.

Insert

This inserts a new pricing level ABOVE the current level. The current level will be unaffected. There must be room for at least one coin between the current level and the previous level, and at least one fractional credit unit between the current level and the previous level.

Example: Inserting a new pricing level.

| CUSTOM PRICING EDITOR | | |
|-----------------------|--------|---------|
| 1) | \$0.50 | 1 cred. |
| 2) | \$1.00 | 2 cred. |
| 3) | \$1.50 | 4 cred. |
| 4) | \$2.00 | 6 cred |
| DISPLAY VIEW | | |

Use the Enter button to move to the \$1.50 field. Now press the Down button once to create the following display:

| CUSTOM PRICING EDITOR | | |
|-----------------------|--------|---------|
| 1) | \$0.50 | 1 cred. |
| 2) | \$1.00 | 2 cred. |
| 3) | INSERT | 4 cred. |
| 4) | \$2.00 | 6 cred |
| DISPLAY VIEW | | |

Now press the Enter button. The display will now show:

| CUSTOM PRICING EDITOR | | |
|-----------------------|--------|-------------|
| 1) | \$0.50 | 1 cred. |
| 2) | \$1.00 | 2 cred. |
| 3) | \$1.25 | 2 1/2 cred. |
| 4) | \$1.50 | 4 cred |
| DISPLAY VI | | |

Note that the line "5) \$2.00 6 cred." No longer fits on the display. Whenever there are more than four pricing levels that the display will scroll up and down as Enter and Escape are used to move from field to field. If you repeatedly press Enter the display will then show:

| CUSTOM PRICING EDITOR | | |
|-----------------------|--------|-------------|
| 2) | \$1.00 | 2 cred. |
| 3) | \$1.25 | 2 1/2 cred. |
| 4) | \$1.50 | 4 cred. |
| 5) | \$2.00 | 6 cred |
| DISPLAY VIEW | | |

Clear

This clears out the current entries to allow a new pricing mode to be entered.

Repeat (1-20)

This causes all of the entries above the current line to be repeated the number of times specified. This is only available when there are no pricing levels below the current line.

Example: 1/\$0.50 2/\$1.00 15/\$5.00

Use the "Edit New Pricing Mode" feature described below to clear out the current levels.

Use the Up and Enter buttons to specify 1/2 credit for \$0.25:

| | | |
|-----------------------|--------|-----------|
| CUSTOM PRICING EDITOR | | |
| 1) | \$0.25 | 1/2 cred. |
| DISPLAY VIEW | | |

Now, use the Up button until the display shows "Repeat 20". The display looks like this:

| | | |
|-----------------------|-----------|---------|
| CUSTOM PRICING EDITOR | | |
| 1) | \$0.50 | 1 cred. |
| 2) | REPEAT 20 | |
| DISPLAY VIEW | | |

Press the Enter button and the display will show the following:

| | | |
|-----------------------|--------|-------------|
| CUSTOM PRICING EDITOR | | |
| 1) | \$0.25 | 1/2 cred. |
| 2) | \$0.50 | 1 cred. |
| 3) | \$0.75 | 1 1/2 cred. |
| 4) | \$1.00 | 2 cred |
| DISPLAY VIEW | | |

Actually, by repeating the 1st line 20 times the pricing mode is currently set up as follows, but only the 1st four lines are displayed.

| | | |
|-----------------------|--------|-------------|
| CUSTOM PRICING EDITOR | | |
| 1) | \$0.25 | 1 /2 cred. |
| 2) | \$0.50 | 1 cred. |
| 3) | \$0.75 | 1 1/2 cred. |
| 4) | \$1.00 | 2 cred. |
| 5) | \$1.25 | 2 1/2 cred. |
| 6) | \$1.50 | 3 cred. |
| 7) | \$1.75 | 3 1/2 cred. |
| 8) | \$2.00 | 4 cred. |
| 9) | \$2.25 | 4 1/2 cred. |
| 10) | \$2.50 | 5 cred. |
| 11) | \$2.75 | 5 1/2 cred. |
| 12) | \$3.00 | 6 cred. |
| 13) | \$3.25 | 6 1/2 cred. |
| 14) | \$3.50 | 7 cred. |
| 15) | \$3.75 | 7 1/2 cred. |
| 16) | \$4.00 | 8 cred. |
| 17) | \$4.25 | 8 1/2 cred |
| 18) | \$4.50 | 9 cred. |
| 19) | \$4.75 | 9 1/2 cred. |
| 20) | \$5.00 | 10 cred |
| DISPLAY VIEW | | |

Now repeatedly press the Enter button to move the right hand column to the 20th level. The display will show (with "10 cred." Blinking):

| CUSTOM PRICING EDITOR | | |
|-----------------------|--------|-------------|
| 17) | \$4.25 | 8 1/2 cred. |
| 18) | \$4.50 | 9 cred. |
| 19) | \$4.75 | 9 1/2 cred. |
| 20) | \$5.00 | 10 cred |

DISPLAY VIEW

Now press the Up button repeatedly until the right hand column of line 20 reads "15 cred."

Start Button

Once the pricing mode has been specified, you exit the custom pricing editor by pressing the 'Start' button. This will bring up a menu with some or all of the following choices:

| |
|-------------------|
| Choose an Option: |
| Return to Editor |
| Clear Pricing |
| Ignore Changes |
| Save Changes |

DISPLAY VIEW

Use the Up and Down buttons to select your choice and press the Enter button to activate it. The selections cause the following actions:

Return To Editor

This option will allow you to continue to edit the pricing information.

Clear Pricing

This option will clear out all pricing levels and bring you back to the pricing editor to create a pricing mode from scratch.

Ignore Changes

This option will discard the work done in the previous pricing editor and leave the previously installed pricing mode in the game.

Save Changes

Press the Enter button to save your custom edited pricing mode and install it as the pricing for the game. Note that this choice will not be displayed if there is not at least one pricing level specified in the pricing editor, or if no changes have been made.

Exit Pricing Editor

This option will appear if no changes have been made. It will exit the Pricing Editor leaving the pricing as is.

Bonus for Special Coins

For most coin modes, the system allows the mixing of any combination of any size coin and awards credits as each appropriate amount is accumulated. With A.3 10 (Coin Door Type) set to "custom", the value of each coin slot may be entered for adjustments A.3 12 (Left Slot Value) through A.3 15 (4th slot value). Whenever these values are changed, the new values are copied to A.3 28 (Left Slot Credit Value) through A.3 31 (4th Slot Credit Value) respectively. To give a bonus for a particular coin, you need to modify the Credit Value adjustment to specify the value to be given for the bonus coin.

For example, in a game with a Left Coin Slot that takes quarters and a center coin slot that takes dollars, if you wish to charge 50 cents for 1 play and \$1.00 for 2 plays, you setup the pricing editor to show:

| CUSTOM PRICING EDITOR | | |
|-----------------------|--------|-------------|
| 1) | \$0.25 | 1/2 cred. |
| 2) | \$0.50 | 1 cred. |
| 3) | \$0.75 | 1-1/2 cred. |
| 4) | \$1.00 | 2 cred |

DISPLAY VIEW

If you set A.3 10 (Coin Door Type) to Custom you will see the following coin door specifier adjustments:

| | | |
|--------|--------------------------|------|
| A.3 12 | Left Slot Value | 0.25 |
| A.3 13 | Center Slot Value | 1.00 |
| A.3 28 | Left Slot Credit Value | 0.25 |
| A.3 29 | Center Slot Credit Value | 1.00 |

To change the pricing to 1 play for \$0.50, 2 plays for \$1.00 and 3 plays for a dollar coin, you change A.3 29 (Center Slot Credit Value) to 1.50. This will result in the following settings:

| | | |
|--------|--------------------------|------|
| A.3 12 | Left Slot Value | 0.25 |
| A.3 13 | Center Slot Value | 1.00 |
| A.3 28 | Left Slot Credit Value | 0.25 |
| A.3 29 | Center Slot Credit Value | 1.50 |

This will cause \$1.50 worth of credits (3) to be awarded for each coin inserted in the center coin slot (dollar coin). This is due to the \$1.50 setting of A.3 29 (Center Slot CREDIT VALUE). Note that the 1.00 setting of A.3 13 tells the game that each coin in the center slot adds \$1.00 to the total collection.

- A.3 28 LEFT SLOT CREDIT VALUE**
- A.3 29 CENTER SLOT CREDIT VALUE**
- A.3 30 RIGHT SLOT CREDIT VALUE**
- A.3 31 4TH SLOT CREDIT VALUE**

This adjustment specifies the value to be used for awarding credits. It is typically the same value as the corresponding A.3 12 (Left Slot Value) through A.3 15 (4th Slot Value) adjustment.

The A.3 12 through A.3 15 values are used to determine the auditing value of each coin (for collection totals) while the A.3 28 through A.3 31 value determine the coin value for awarding credits. By making this "Credit Value" adjustment higher than the A.3 12 through A.3 15 "Value" adjustment, a bonus may be given for a specific call (see Bonus for Special Coin section for more information).

Pricing Table

| COUNTRY | COIN CHUTES | | | 4 TH CHUTE | GAMES/COINS | DISPLAY | PRICING ADJUSTMENTS A3 02 03 04 05 06 07 08 09 |
|----------------------|----------------|---------|---------|--------------------------|------------------------------------------------------|-------------------|---------------------------------------------------|
| | LEFT | CENTER | RIGHT | | | | |
| USA | 25¢ | \$1.00* | 25¢ | \$1.00 | 1/50¢, 2/75¢, 3/\$1 ² | 50¢, 75¢, \$1.00 | |
| | 25¢ | \$1.00* | 25¢ | \$1.00 | 1/75¢, 2/\$1.50, 3/\$2.00 ² | 1/.75, 3/2.00 | |
| | 25¢ | \$1.00 | 25¢ | \$1.00 | 1/3x25¢ ² | USA 1/\$0.75 | |
| | 25¢ | \$1.00 | 25¢ | \$1.00 | 1/50¢, 2/\$1 ² | USA 2/\$1.00 | |
| | 25¢ | \$1.00 | 25¢ | \$1.00 | 1/50¢, 3/\$1.00 ² | USA 3/\$1.00 | |
| | 25¢ | \$1.00 | 25¢ | \$1.00 | 1/2x25¢, 2/\$1.00, 3/\$1.50, 6/\$2.00 ² | USA 6/\$2.00 | |
| | 25¢ | \$1.00 | 25¢ | \$1.00 | 1/2x25¢, 2/\$1.00, 3/\$1.50, 5/\$2.00 ^{1,2} | USA 5/\$2.00 | |
| | 25¢ | \$1.00 | 25¢ | \$1.00 | 1/3x25¢, 2/\$1.50, 4/\$2.00 ² | 1/.75, 4/\$2.00 | |
| | 25¢ | \$1.00 | 25¢ | \$1.00 | 1/2x25¢, 2/\$1.00, 4/\$1.50, 6/\$2.00 ² | 6/\$2.00 4/\$1.50 | |
| | 25¢ | 25¢ | 25¢ | - | 1/4x25¢, 6/\$5.00 ² | 1/.1, 6/5 | |
| 25¢ | 25¢ | 25¢ | - | 1/4x25¢ ² | 1/\$1.00 | | |
| Canada | 25¢ | - | \$1.00 | - | 1/50¢, 2/75¢, 3/\$1 ² | CAN. 50-75-1 | |
| | 25¢ | - | \$1.00 | - | 1/50¢, 2/\$1 ² | CAN. 2/\$1.00 | |
| | 25¢ | - | \$1.00 | - | 1/50¢, 3/\$1.00 ² | CAN. 3/\$1.00 | |
| | 25¢ | - | \$1.00 | - | 1/2x25¢, 2/4x25¢, 3/\$1.00 ² | 3/\$1.00 Coin | |
| | 25¢ | - | \$1.00 | - | 1/2x25¢, 2/\$1.00, 3/\$1.50, 6/\$2.00 ² | CAN. 6/\$2.00 | |
| | 25¢ | - | \$1.00 | - | 1/2x25¢, 2/\$1.00, 3/\$1.50, 5/\$2.00 ^{1,2} | CAN. 5/\$2.00 | |
| | 25¢ | - | \$1.00 | - | 1/2x25¢, 2/\$1.00, 4/\$1.50, 6/\$2.00 ² | 6/\$2. 4/1.50 | |
| | 25¢ | - | \$1.00 | - | 1/3x25¢, 2/\$1.50, 4/\$2.00 ² | 1/.75, 4/2.00 | |
| | 25¢ | - | \$1.00 | - | 1/75¢, 2/\$1.50, 3/\$2.00 ² | 1/.75, 3/2.00 | |
| | 25¢ | - | \$1.00 | - | 1/3x25¢ ² | CAN. 1/\$0.75 | |
| Canada 3/Dollar Coin | 25¢ | - | \$1.00 | - | 1/0.50, 2/\$1.00, 3/\$1.00-Coin | CAN.\$ BONUS | |
| Austria | 5sch | 10sch | 10sch | - | 1/2x5sch, 3/2x10sch ² | AUSTRIA | |
| | 5sch | - | 10sch | - | 12/5sch, 5/10sch | CUSTOM | 02 00 05 00 01 00 01 00 |
| Australia | 20¢ | \$1 | \$1 | \$2 | 1/\$1, 3/\$2 ² | AUSTRALIA 1 | |
| | 20¢ | \$1 | \$1 | \$2 | 1/\$1, 2/\$2 | AUSTRALIA 2 | |
| U.K. | £1.00/ £200 | 50P | 20P | 10P | 1/3x10P, 2/50P, 4/£1, 4/5x20P, 8/£2 ² | U. KINGDOM | |
| Switzerland | 1Fr | 2Fr | 5Fr | - | 1/1Fr, 3/2Fr, 7/5Fr ² | SWISS 1 | |
| Swiss 2 | 1Fr | 2Fr | 5Fr | - | 1/2Fr, 2/3Fr, 3/4Fr, 5/5Fr | SWISS 2 | |
| Swiss 3 | 1Fr | 2Fr | 5Fr | - | 1/1Fr, 5/5Fr | SWISS 3 | |
| Swiss 4 | 1Fr | 2Fr | 5Fr | - | 1/1Fr, 2/2Fr, 3/3Fr, 4/4Fr, 6/5Fr ¹ | SWISS 4 | |
| Swiss 5 | 1Fr | 1Fr | 1Fr | - | 1/1Fr (all slots = 1Fr) | SWISS 5 | |
| Belgium | 5Fr | 20Fr | 50Fr | - | 1/4x5Fr, 1/20Fr, 3/50Fr ² | BELGIUM | |
| Belgium 2 | 5Fr | 20Fr | 50Fr | - | 1/20Fr, 3/60Fr, 3/50Fr-Coin | BELG. BONUS | |
| Germany | 1DM | 2DM | 5DM | - | 1/1DM, 2/2DM, 6/5DM ^{1,2} | GER. 6/5DM | |
| | | | | - | 1/2DM, 2/3DM, 3/4DM, 4/5DM ² | GER. 4/5DM | |
| | | | | - | 1/2DM, 2/3DM, 3/4DM, 5/5DM ² | GER. 1/2DM | |
| | | | | - | 1/1DM, 2/2DM, 5/5DM ² | GER. 1/1DM | |
| Holland | 1G | - | 1G | - | 1/1G ² | HOLLAND | |
| Sweden | 1Kr | 5Kr | 10Kr | 1Kr | 1/10Kr, 2/15Kr, 3/20Kr ^{1,2} | SWEDEN 1 | |
| | 1Kr | 5Kr | 10Kr | 1Kr | 1/5Kr ² | SWEDEN 2 | |
| France | 1Fr | 5Fr | 10Fr | 20Fr | 1/3x1Fr, 2/5Fr, 5/10Fr, 10/20Fr ^{2,3} | TARIFF 1 | |
| | 1Fr | 5Fr | 10Fr | 20Fr | 1/2x1Fr, 3/5Fr, 7/10Fr, 14/20Fr ^{2,3} | TARIFF 2 | |
| | 1Fr | 5Fr | 10Fr | 20Fr | 1/5Fr, 3/10Fr, 7/2x10Fr, 7/20Fr ^{2,3} | TARIFF 3 | |
| | 1Fr | 5Fr | 10Fr | 20Fr | 2/5Fr, 4/10Fr, 9/2x10Fr, 9/20Fr ^{2,3} | TARIFF 4 | |
| | 1Fr | 5Fr | 10Fr | 20Fr | 2/5Fr, 5/10Fr, 11/2x10Fr, 11/20Fr ^{2,3} | TARIFF 5 | |
| | 1Fr | 5Fr | 10Fr | 20Fr | 1/5Fr, 3/10Fr, 6/20Fr ^{2,3} | TARIFF 6 | |
| Italy | 500L | 500L | 500L | - | 1/500L ² | ITALY 1 | |
| | 500L | 500L | 500L | - | 1/2x500L, 3/4x500L ^{1,2} | ITALY 2 | |
| | 500L | 500L | 500L | - | 1/2x500L, 2/4x500L ² | ITALY 3 | |
| Spain | 100P | - | 500P | - | 1/100P, 6/500P ² | SPAIN | |
| | 25P | - | 100P | - | 1/25P, 5/100P | CUSTOM | 01 00 04 00 01 04 01 00 |
| | 25P | - | 100P | - | 1/25P, 4/100P | CUSTOM | 01 00 04 00 01 00 01 00 |
| | 25P | - | 100P | - | 1/2x25P, 2/100P | CUSTOM | 01 00 04 00 02 00 01 00 |
| | 25P | - | 100P | - | 1/2x25P, 3/100P | CUSTOM | 03 00 12 00 04 00 01 06 |
| Japan | 100¥ | - | 100¥ | - | 1/100¥ ² | JAPAN | |
| Chile | Token | - | Token | - | 1/1Token ² | CHILE | |
| Denmark | 1Kr | 5Kr | 10Kr | 20Kr | 1/2x1 Kr, 3/5 Kr, 7/10 Kr ² | DENMARK 1 | |
| | 1Kr | 5Kr | 10Kr | 20Kr | 1/5 Kr, 3/10 Kr, 6/20 Kr ^{1,2} | DENMARK 2 | |
| Finland | 1Mka | - | 5Mka | - | 1/2x1 Mka, 3/5Mka ² | FINLAND 1 | |
| | 1Mka | - | 5Mka | - | 1/3x1 Mka, 2/5Mka ² | FINLAND 2 | |
| New Zealand | \$1.00 | - | \$2.00 | - | 1/\$1, 3/\$2 ² | NEW ZEALAND 1 | |
| | \$2.00 | - | \$1.00 | - | 1/\$1, 3/\$2, (\$2-\$1 door) | NEW ZEALAND 2 | |
| Norway | 5Kr | - | 10Kr | - | 1/5Kr, 2/10Kr, 5/20Kr ² | NORWAY | |
| Argentina | 10¢ | 10¢ | 10¢ | - | 1/1 Token ² | ARGENTINA | |
| Greece | 10D | 20D | 50D | - | 1/2x10D, 1/20D, 3/50D | GREECE | |
| Antilles | 25¢ | 25¢ | 1G | - | 1/25¢, 4/1G | ANTILLES | |
| Netherlands 1 | 1 HFI | 2.5 HFI | 2.5 HFI | - | 1/1HFI, 3/2.5HFI | NETHERLANDS | |
| Netherlands 2 | 1 HFI | 2.5 HFI | 2.5 HFI | - | 1/1HFI, 3/3HFI, 3/2.5HFI-Coin | NETH. BONUS | |
| Netherlands 3 | 1 HFI | 2.5 HFI | 5 HFI | - | 1/1HFI, 3/2.5HFI | NETH. CSHFL | |
| Hungary | 20 Old | 20 New | 50F | - | 1/40F, 2/60F, 4/100F | HUNGARY | |

1. Factory Default. 2. Standard Setting - Change by pressing Enter button. 3. Other functions are also affected. * Only if Bill Acceptor and Center Chute are available.

A.4 HIGH SCORE TO DATE (H.S.T.D.) ADJUSTMENTS

A.4 01 HIGHEST SCORES

The game maintains a record of the four highest scores achieved to date.

- OFF - No high scores are recorded, or displayed.
- ON - The four highest scores are stored in memory and displayed in Attract Mode.

A.4 02 H.S.T.D. AWARD

This is the award given for achieving the High Score to Date or the Champion High Score to Date. Credit or Ticket

A.4 03 CHAMPION H.S.T.D.

The "Highest" High Score can be displayed in the Attract Mode. This score is not cleared when "High Score Reset Every" occurs.

- ON - The "Highest" High Score is retained in memory and displayed.
- OFF - The "Highest" High Score is not retained.

A.4 04 CHAMPION CREDITS

The number of credits or tickets awarded for a Grand Champion Score.

Range: 00 to 10.

A.4 05 H.S.T.D. 1 CREDITS

A.4 06 H.S.T.D. 2 CREDITS

A.4 07 H.S.T.D. 3 CREDITS

A.4 08 H.S.T.D. 4 CREDITS

The number of credits or tickets awarded whenever a player exceeds the four highest scores.

Range: 00 to 10.

A.4 09 HIGH SCORE RESET EVERY

The number of games to be played before an automatic reset of the displayed Highest Score occurs. The operator selects the values provided at reset in the Back-up High Scores.

Range: OFF (disabled), 250 to 20,000.

A.4 10 BACKUP CHAMPION

The Back-up Grand Champion Score.

Range: 00 to 200,000,000

A.4 11 BACKUP H.S.T.D. 1

A.4 12 BACKUP H.S.T.D. 2

A.4 13 BACKUP H.S.T.D. 3

A.4 14 BACKUP H.S.T.D. 4

The first through fourth Back-up High Score values. The game automatically restores this value when the "High Score Reset Every" value is reached.

Range: 00 to 200,000,000

A.5 PRINTER ADJUSTMENTS (optional board required)

A.5 01 COLUMN WIDTH

The column width to be printed. Range: 22 to 80.

A.5 02 LINES PER PAGE

This is the amount of lines per page. Range: 20 to 80.

A.5 03 PAUSE EVERY PAGE

Choose whether the printer pauses at the end of a page.

- YES - The printer does pause.
- NO - The printer doesn't pause.

A.5 04 PRINTER TYPE

Select the type of printer: Parallel, Serial, ADP, Mini-Drucker, or NSM.

A.5 05 SERIAL BAUD RATE

Select which baud rate to use for serial or ADP communications (bit rate): 300, 600, 1200, 2400, 4800, or 9600.

A.5 06 SERIAL D.T.R. (DATA TERMINAL READY)

When a serial printer is used, this line may be connected to a printer output line signaling that the printer is busy.

- NORMAL - Normal D.T.R. signal goes low to indicate the printer is not ready.
- INVERTED - Inverted D.T.R. (busy) signal goes high to indicate the printer is not ready.
- IGNORE - D.T.R. signal is ignored.

A.5 07 AUTO PRINTOUT

With the optional printer board installed, this adjustment allows the initiation of printouts whenever the game detects a printer connected to the game. Parallel printers are detected automatically by plugging them in and putting them on-line. Serial printers (or computers) are detected by sending a carriage return (ASCII 0x0D) or XON (ASCII 0x11).

This adjustment has the following settings:

| | |
|-------------|-----------------------------|
| OFF | Disable automatic printouts |
| MAIN AUDITS | Main Audit Table (B.1) |
| EARNINGS | Earning Audits (B.2) |
| STD. AUDITS | Standard Audits (B.3) |
| FEATURES | Feature Audits (B.4) |
| HISTOGRAMS | Histograms (B.5) |
| TIMESTAMPS | Time Stamps (B.6) |
| ALL DATA | All of the above data |

The table specified above will automatically be printed when a printer (or computer) is detected.

If the printer is detected during game over or test mode, the printout will be taken right away.

If the printer is connected while a game is being played, it will take up to 10 seconds to be detected, after which the printout will occur. The game will resume after the printout is complete.

Automatic printouts will only take place if the coin door is open.

After an automatic printout has been generated, a 2nd automatic printout will not be possible until a new game has started, or test mode begins.

ERROR MESSAGES

The WPC-95 game program has the capability to aid the operator and service personnel. At game turn-on, or after pressing the Begin Test switch, once the game has been operating for an extended period, the display may signal with a message, "Press ENTER for Test Report". This indicates the game program has detected a possible problem with the game.

CACTUS CANYON features a new coin door display. When the coin door is open (in Attract mode and game play), the display shows that the high-power has been disabled. It also shows the Test Report (if there is anything to report), and some game specific information. Use the flipper buttons to page through this information.

To obtain details of the problem open the coin door and press the Begin Test switch. Press the Enter button to begin displaying the message(s). The following messages apply to your game.

GENERAL ERROR MESSAGES.

CHECK SWITCH

This message indicates that at least one switch was stuck 'On' at game turn-on or has NOT been actuated during ball play (for 90 balls or apx. 30 games). The game program compensates the game play requirements affected by each disabled switch to allow 'nearly normal' play. This helps keep your game earning, until the service technician can repair the problem. To verify the problem, refer to the Test Menu text describing Switch Testing, and check each reported switch using applicable switch tests. Always check switch operation using a ball, to simulate game conditions. Switch problems may often be resolved by adjusting the wire switch actuators, fixing switch circuitry problems, securing loose connectors, etc. Mechanisms using 'opto switches' (drop targets, etc.) need to be checked for proper power connections (+12V dc and ground).

CHECK FUSES F115 AND F116 AND OPTO 12V SUPPLY

This message will be displayed if the game senses that all optical switches are not functioning. This usually occurs when there is no +12V supply to the playfield optics.

The problem is likely to be a blown fuse (F109), or at connectors J138, J139, J140 or J141 on the power driver board.

OPTO TROUGH BAD CHECK CONNECTORS, WIRES AND 12V SUPPLY

This message will be displayed if all of the opto switches in the playfield ball trough are not functioning. This is usually caused by a problem with a ball trough connector supplying +12V and ground for the optical circuits.

PINBALL MISSING

This game normally uses four balls, however, it will operate with less. This message announces that a ball is missing or stuck. When the ball is located, return it to the game via the Outhole. Other possibilities for this problem could be malfunctions of the Ball Trough switches or the Ball Shooter switch.

XXXX SW. IS STUCK ON

This message indicates that a switch, which is not usually on, remains in the On position after. The stuck switch is essential for game play (for example, a coin chute switch, the slam tilt switch, and the plumb bob tilt switch), and should be cleared to permit proper game operation.

GROUND SHORT ROW - N, WHT - XXX

This message indicates that the switch wires being called out are touching a grounded part on the playfield or coin door. The following should be checked:

1. Slam tilt (or other coin door switch) touching the grounded coin door.
2. A leaf-type, playfield switch touching a grounded part.
3. Players poking metallic objects (wires, coat hangers, etc.) into the game.
4. Switch cable insulation pierced or damaged allowing bare wire contact with a grounded part.
5. All switches in a row closing at the same time. **Note:** This is NOT a switch problem; however, for most games this is a very rare possibility.

G10 ERROR

The security chip is incorrect or faulty. If this occurs, replace the security chip.

G11 CHECKSUM ERROR

The game ROM checksum is invalid. If this occurs replace the game ROM.

TIME AND DATE NOT SET.

The real time clock is not set. Go to U.4 of the Utilities Menu and set the time and date.

FACTORY SETTINGS RESTORED.

This message indicates that the CMOS RAM (U8) no longer retains any custom Pricing or Game Adjustment settings and has reverted to factory default settings. Generally, the following CPU checks will isolate the cause of the CMOS RAM memory failure. The voltages at pin 28 and pin 26 of U8 should be +5V (game turned On) and at least +4V (game turned Off). When the voltage drops below +4V, memory reset occurs. Check the batteries and battery holder. Be sure that the batteries are good and that there is no contamination on the battery holder terminals. Turn the game OFF, and use an ohmmeter to check diodes D1 and D2 on the CPU Board. D1 should read 0 ohms when forward-biased and infinite ohms when reverse-biased. D2 should read 15 ohms when forward-biased and infinite ohms when reverse-biased. (Readings taken with an analog meter.) This message can also indicate that there is an open diode on a 50V-coil circuit and noise is entering the circuit.

CPU AND AUDIO/VISUAL BOARD ERROR CODES

The CPU has three LED's, 201, 202, and 203. At game turn-on LED 201 and LED 202 are on, LED 203 is off. During normal operation LED 201 is off, LED 202 is on, and LED 203 is flashing. If the system detects an error the following happens:

CPU board error codes

| | |
|-------------------------------|-----------------------------|
| Center LED blinks once | = G11 ROM Failure |
| Center LED blinks twice | = U8 RAM Failure |
| Center LED blinks three times | = G10 Security Chip Failure |

The Audio/Visual board produces one beep upon game turn on if the board is operating properly. If the system detects an error the following happens:

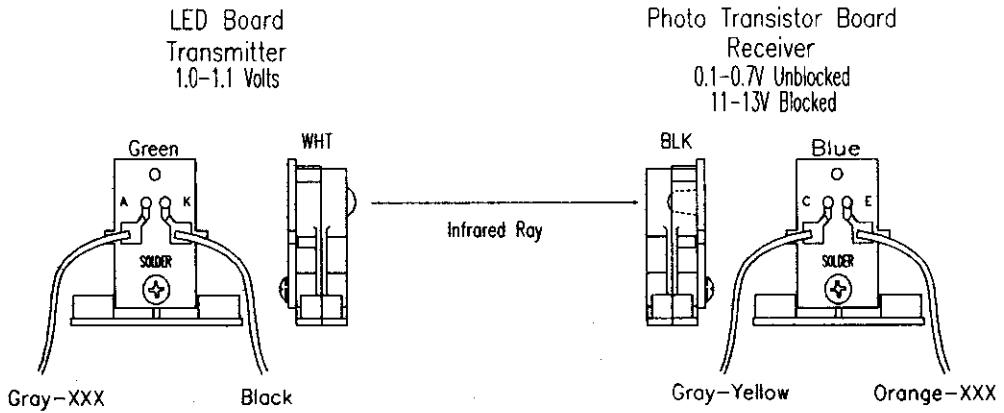
Audio/Visual board error codes

| | |
|----------|------------------------------|
| 1 Beep | = Audio/Visual Board is O.K. |
| 2 Beeps | = S2 Failure |
| 3 Beeps | = S3 Failure |
| 4 Beeps | = S4 Failure |
| 5 Beeps | = S5 Failure |
| 6 Beeps | = S6 Failure |
| 7 Beeps | = S7 Failure |
| 10 Beeps | = Audio Static RAM Failure |

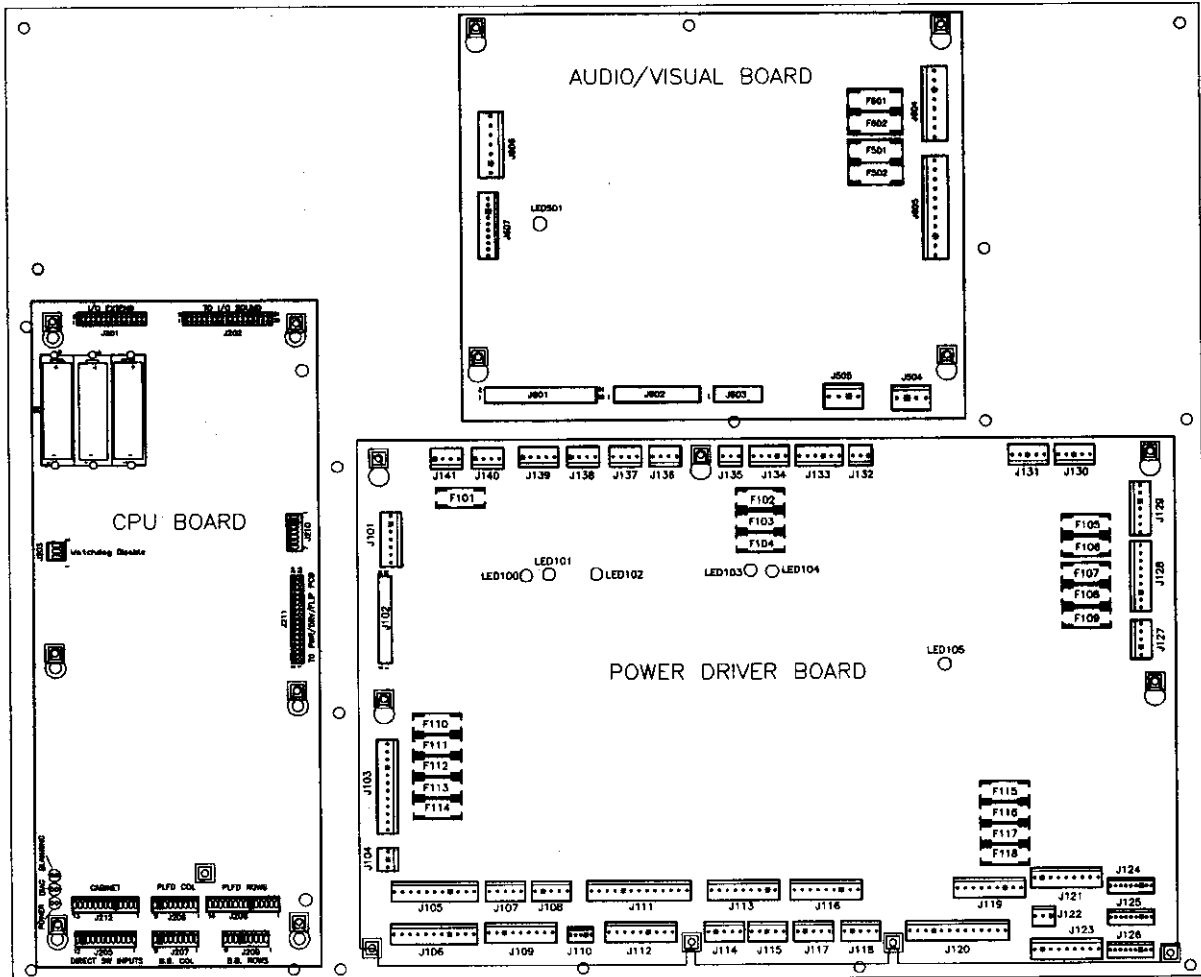
OPTO THEORY

The opto receiver (Photo Transistor) should be approximately 0.1 - 0.7 volts when the opto beam is unblocked and approximately 11 - 13 volts when the opto beam is blocked. The opto transmitter (LED) should always be approximately 1.4 volts.

Note: The transmitter (LED) is larger than the receiver (Photo Transistor); it protrudes further from its case.



LED LIST



CPU BOARD

- LED 201 Blanking
- LED 202 Power
- LED 203 Diagnostics

At game turn-on, LED 201 and LED 202 are on, LED 203 is off. During normal operation LED 201 is off, LED 202 is on, and LED 203 is flashing.

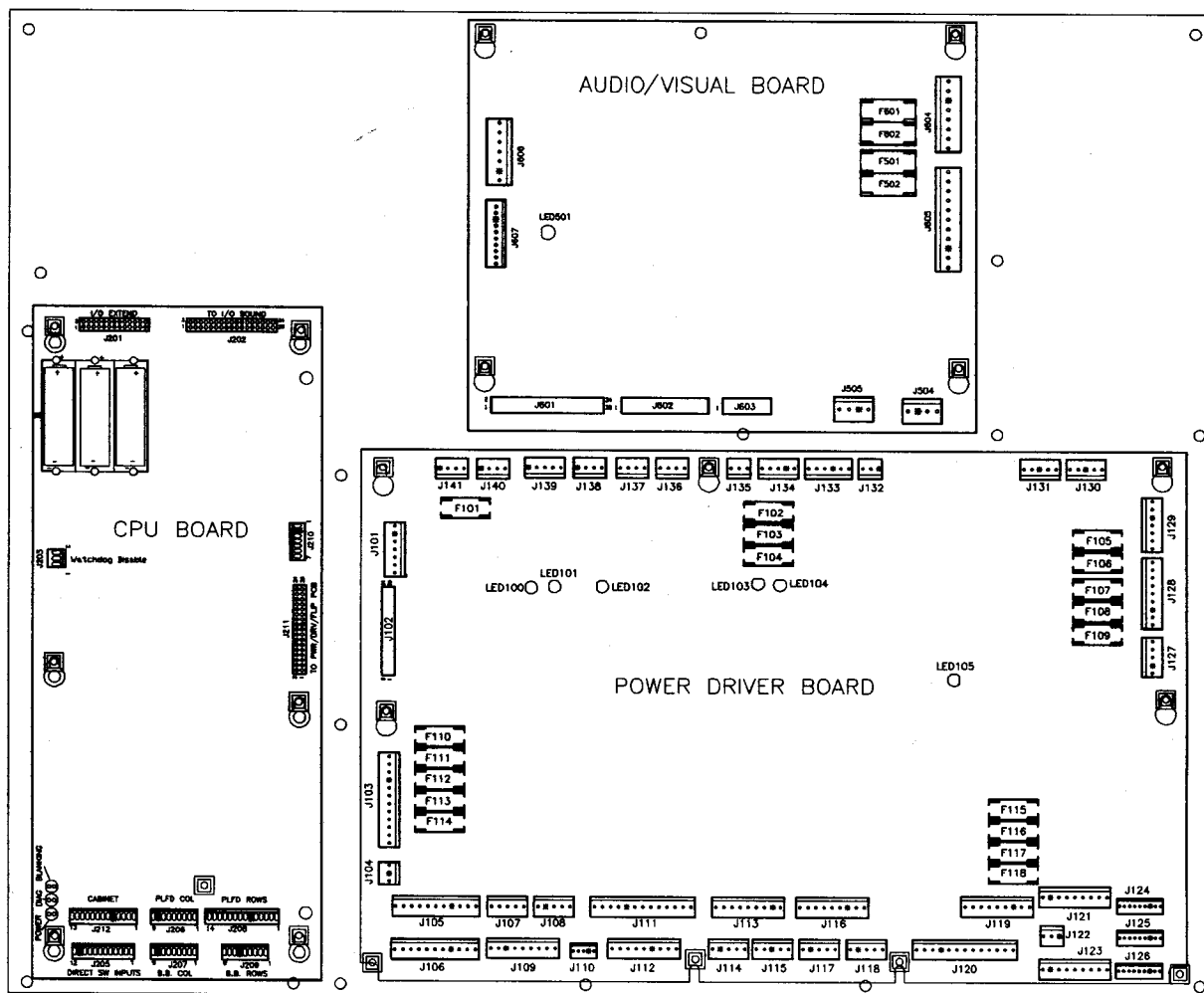
AUDIO/VISUAL BOARD

- LED 501 +5VDC, Normally flashing, but at a slower rate than LED 203.

POWER DRIVER BOARD

- LED 100 +12VDC Regulated, Normally On
- LED 101 +5VDC Digital, Normally On
- LED 102 +18VDC Lamps, Normally On
- LED 103 +12VDC Unregulated, Normally On
- LED 104 +20VDC Flashlamps, Normally On
- LED 105 +50VDC Coils, Normally On

FUSE LIST



AUDIO/VIDEO BOARD

| Loc. | Description | Part Number | Value |
|------|---------------|---------------|---------------|
| F501 | -25V | 5731-14532-00 | T2.5A, 250V |
| F502 | +25V | 5731-14532-00 | T2.5A, 250V |
| F601 | +62V | 5731-14840-00 | T0.315A, 250V |
| F602 | -113V & -125V | 5731-14840-00 | T0.315A, 250V |

CPU BOARD

There are no fuses on the CPU board.

POWER DRIVER BOARD

| Loc. | Description | Part Number | Value | Loc. | Description | Part Number | Value |
|------|----------------------|---------------|--------------|------|-----------------|---------------|-------------|
| F101 | Regulated 12V | 5731-14531-00 | T0.63A, 250v | F110 | G.I. #5 WHT-VIO | 5731-14530-00 | T4.0A, 250V |
| F102 | Solenoid. #25 to #28 | 5731-14530-00 | T4.0A, 250V | F111 | G.I. #4 WHT-GRN | 5731-14530-00 | T4.0A, 250V |
| F103 | Solenoid #1-#8 | 5731-14530-00 | T4.0A, 250V | F112 | G.I. #3 WHT-YEL | 5731-14530-00 | T4.0A, 250V |
| F104 | Solenoid #9 to #16 | 5731-14530-00 | T4.0A, 250V | F113 | G.I. #2 WHT-ORG | 5731-14530-00 | T4.0A, 250V |
| F105 | +5V Logic | 5731-14530-00 | T4.0A, 250V | F114 | G.I. #1 WHT-BRN | 5731-14530-00 | T4.0A, 250V |
| F106 | +18V Lamp Matrix | 5731-14046-00 | T5.0A, 250V | F115 | +50V Flippers | 5731-14530-00 | T4.0A, 250V |
| F107 | Flasher Secondary | 5731-14530-00 | T4.0A, 250V | F116 | +50V Flippers | 5731-14530-00 | T4.0A, 250V |
| F108 | Solenoid Secondary | 5731-14529-00 | T6.3A, 250 | F117 | +50V Flippers | 5731-14530-00 | T4.0A, 250V |
| F109 | Unregulated 12V | 5731-14530-00 | T4.0A, 250V | F118 | +50V Flippers | 5731-14530-00 | T4.0A, 250V |

LINE FILTER

| Loc. | Part Number | Value |
|----------|---------------|---------------|
| Foreign | 5731-14530-00 | T4.0A, 250V |
| Domestic | 5731-14046-00 | T5.0A, 250V . |

MAINTENANCE INFORMATION

LUBRICATION

The two main lubrication points of the Ball Release mechanism are the pivots for the arm. The mechanisms of other playfield devices are somewhat similar to the Ball Release device, and have the same lubrication requirements. A medium viscosity oil (switch target grease) is satisfactory for these devices.

Because of the functional design (arm-actuated via solenoid plunger operation), the pivot points of the Left and Right Kickers ("Slingshots") all require lubrication as a regular servicing procedure.

Lubrication to ensure proper operation also applies to the target blades of the Drop Targets. MBI Instrument Grease, also known as Drop Target Switch Lubricant, with a Williams' part number of EI165, is a recommended lubricant.

SWITCH CONTACTS

Playfield Switches

For proper game operation, switch contacts should be free of dust, dirt, contamination, and corrosion. Blade switch contacts are plated to resist corrosion. Cleaning blade switch contacts requires gentle closing of the contacts on a clean business card or piece of paper, and then pulling the paper about 2 inches, which should restore the clean contact surface. Adjust the switch contacts to a 1/16-inch gap.

Flipper Switches

This game uses the new Fliptronic II Electronic Flipper System. The End-of-Stroke switches are NORMALLY OPEN. The switch should close when the flipper is energized. All E.O.S. switches are gold flashed computer grade leaf switches. Only low computer current is carried through these switches. DO NOT FILE or abrasively clean these switches! DO NOT REPLACE these switches with the tungsten high current switches, as intermittent operation could occur.

Note: Unlike the old style of flipper, an E.O.S. switch failure does not harm the flipper. The game notifies the operator that the switch is misadjusted in the test report, but continues to play. The E.O.S. switches are a means by which the new electronic flippers feel and play with all of the subtleties of the old flippers.

CLEANING

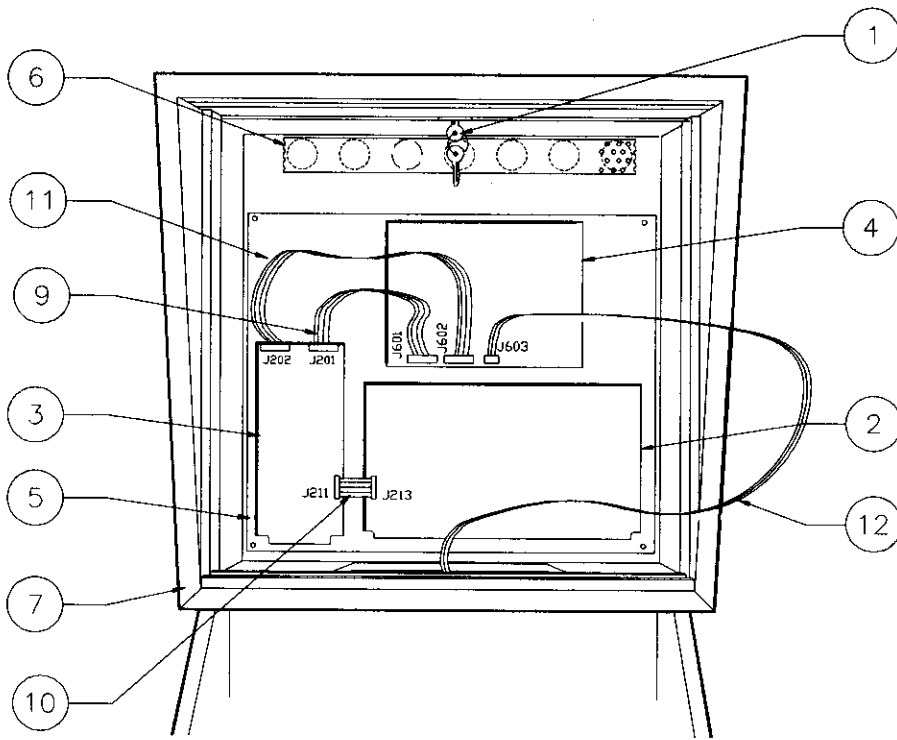
Good game action and extended playfield life are the results of regular playfield cleaning. During each collection stop, the playfield glass should be removed and thoroughly cleaned and the playfield should be wiped off with a clean, lint-free cloth. The game balls should be cleaned and inspected for any chips, nicks, or pits. Replace any damaged balls to prevent playfield damage.

Regular, more extensive, playfield cleaning is recommended. However, avoid excessive use of water and caustic or abrasive cleaners because they tend to damage the playfield surface. Playfield wax (or any carnauba based wax), or polish may be used sparingly, to prevent a buildup on the playfield surface. Do not use cleaners containing petroleum distillates on any playfield plastics because they may dissolve the plastic material or damage the artwork.

SECTION TWO

PARTS INFORMATION

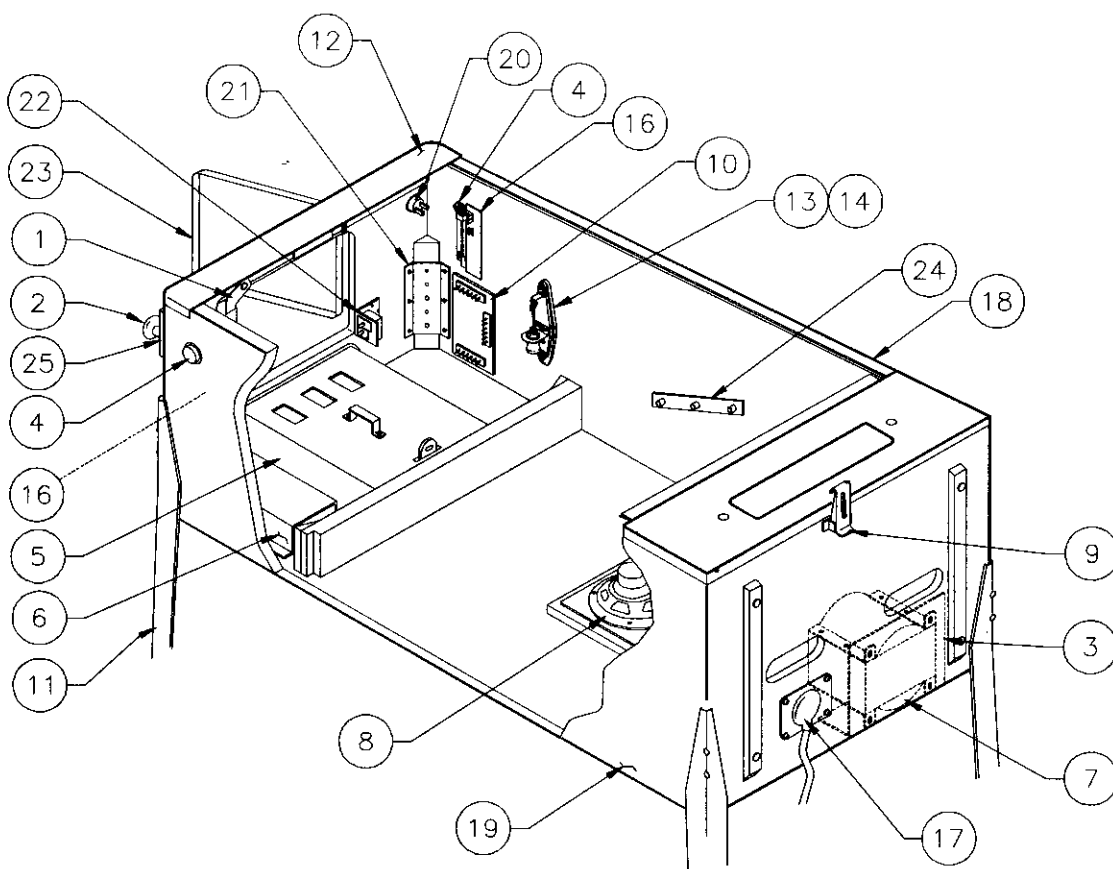
50066-BB Backbox Assembly



| Item | Part Number | Description | Miscellaneous Parts: (Not Shown) | Part Number | Description |
|-----------------------|---------------|--------------------------------|----------------------------------|-------------|--------------------------|
| 1 | A-21998 | Lock & Plate Assembly | | 01-8397 | Bracket Trunk Latch |
| a) | 20-10462 | Lock & Cam Kit | | 02-5223 | Button Speaker Panel (4) |
| 2 | A-20028 | WPC '95 Power Driver PCB | | | |
| 3 | A-21377-50066 | WPC '95 CPU PCB Assy. | | | |
| 4 | A-20516-50066 | WPC '95 Audio Visual PCB Assy. | | | |
| 5 | A-14092-7 | Mounting Plate Assembly | Cables: | | |
| 6 | 01-6645 | Vent Screen | H-20477 | | Logic Power Cable |
| 7 | 04-11213 | Wood Backbox | H-20478-1 | | Secondary Cable |
| *8 | A-20796 | Speaker/Display Assembly | H-20479 | | Dot Matrix Power Cable |
| | | | H-22462-2 | | Insert Cable |
| Ribbon Cables: | | | | | |
| 9 | 5795-12653-15 | Ribbon Cable, 34-Pin, 2 Conn. | | | |
| 10 | 5795-12653-03 | Ribbon Cable, 34-Pin, 3" | | | |
| 11 | 5795-10938-19 | Ribbon Cable, 26-Pin, 2 Conn. | | | |
| 12 | 5795-13434-25 | Ribbon Cable, 14 Pin w/Ferrite | | | |

* Not Shown.

50066-CAB Cabinet Assembly



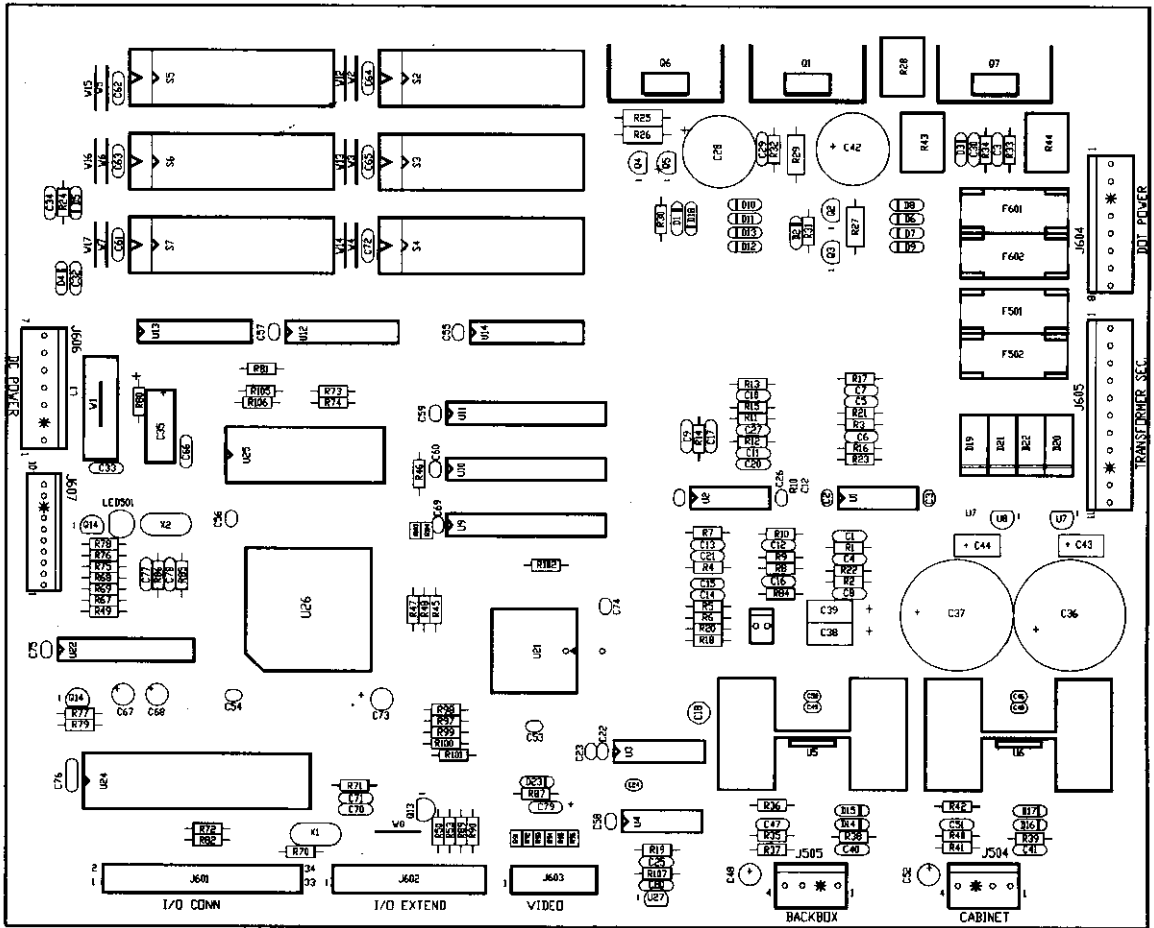
| Item | Part Number | Description | Item | Part Number | Description |
|------|---------------|-----------------------------------|-----------------------------------------|-------------|---------------------------------|
| 1 | A-16773-1 | Lever Guide Assembly | 25 | 01-3535 | Rod Mounting Plate |
| 2 | A-17730-1 | Ball Shooter Assembly | Miscellaneous Parts: (Not Shown) | | |
| 3 | 01-13936 | Drip Plate – Narrow | A-17195 | | Tilt Switch Assy. w/Cable |
| 4 | A-16883-6 | Flipper Button w/Spring (2) | A-19562.1 | | Stay Arm Assembly |
| 5 | A-20729-5 | 4-Ball Cashbox Assembly | 01-12352 | | Clip Bracket |
| 6 | A-20871 | Power Interface Assembly | 01-9011.2-L | | Backbox Mtg. Bracket, Left |
| 7 | 5610-14515-01 | WPC Transformer | 01-9011.2-R | | Backbox Mtg. Bracket, Right |
| 8 | 5555-12929-00 | Speaker, 4Ω, 6", 25w | 01-6389-1 | | Cashbox Lock Bracket |
| 9 | 20-9347 | Toggle Latch | 08-7028-T | | Playfield Glass |
| 10 | A-20580 | Coin Door Interface Board | 08-7377 | | Leg Leveler Adjuster, 3" |
| 11 | A-19514 | Leg Assembly, Chrome (4) | 20-6500 | | Steel Ball, 1-1/16" (4) |
| 12 | D-12615 | Front Molding Assembly | Cabinet Cables: | | |
| 13 | 20-6502-A | Plumb Bob | A-20201 | | Cable & Jumper Assy., Coin Door |
| 14 | 04-10346 | Tilt Mechanism Assembly | H-17217.1 | | Plumb/Bob Mech. Protect Cable |
| 15 | * | Cordset | H-17837-2 | | Voltage Program Jumper Cable |
| 16 | A-17316 | Opto Flipper Assembly (2) | H-20599-1.1 | | WPC '95 Cabinet Cable |
| 17 | 01-10714 | Line Cord Cover | H-19601-1 | | Power Extension Cable |
| 18 | A-12359-3 | Side Molding Assembly (2) | H-20856 | | Cabinet Switch/Lamp Cable |
| 19 | 11-1460 | Wood Cabinet | | | |
| 20 | 20-9663-16 | Push Button w/Sw., Start (Yellow) | | | |
| 21 | 01-9012-1 | Leg Plate (4) | | | |
| 22 | A-18249-3 | Cable & Interlock Switch Assy. | | | |
| 23 | 09-61000-1 | Coin Door-U.S.A. | | | |
| 24 | 01-11408 | Plate Spacer (2) | | | |

* See Power Interface/Cordset Application Chart on page 2-31

A-20516-50066 WPC '95 Audio Visual PCB Assembly

| Part Number | Designator | Description | Part Number | Designator | Description |
|---------------|-----------------------------------------------------------------------------------------------|-----------------------------------------|-----------------|------------------------|------------------------------------|
| 4004-01005-06 | - | Mach. Screw, 4-40 x 3/8" | 5048-13610-00 | C8, C10, C11, C13, C14 | Cap., 1000pf, 50v, 5% Ax. |
| 4404-01119-00 | - | Nut 4-40 ESN | 5048-13611-00 | C16, C17, C20, C21 | Cap., 680pf, 50v, 5% Ax. |
| 5010-08774-00 | R2, R17, R22, R23, R35, R36, R40, R42, R87 | Resistor, 22K Ω , 1/4w, 5% | 5048-14563-00 | C29-C31, C81, C82 | Cap., .01 μ f, 200v, 10% Axial |
| 5010-08991-00 | R20, R46-R48, R50, R72, R76, R77, R81, R107 | Resistor, 4.7K Ω , 1/4w, 5% | 5070-09045-00 | D19-D22 | Diode MR501, 3.0A |
| 5010-09034-00 | R21 | Resistor, 10K Ω , 1/4w, 5% | 5070-09054-00 | D4, D6-D17, D23 | Diode 1N4004, 1.0A |
| 5010-09036-00 | R19 | Resistor, 100 Ω , 1/4w, 5% | 5075-12823-00 | D1, D18 | Zener, 1N4758A 56v, 1w |
| 5010-09134-00 | R32-R34 | Resistor, 150K Ω , 1/4w, 5% | 5075-12824-00 | D3, D5 | Zener, 1N4742A 12v, 1w |
| 5010-09219-00 | R1, R3 | Resistor, 8.2K Ω , 1/4w, 5% | 5075-12826-00 | D2 | Zener, 1N4759, 62v, 1w |
| 5010-09416-00 | R73, R74, R82, R88, R105, R106 | Resistor, 470 Ω , 1/4w, 5% | 5160-08938-00 | Q13-Q15 | Transistor, 2N4401 NPN |
| 5010-09807-00 | R30, R31, R67-R69, R102 | Resistor, 120 Ω , 1/4w, 5% | 5164-09056-00 | Q2, Q3 | Transistor, MPSD02 NPN |
| 5010-10171-00 | R24 | Resistor, 56 Ω , 1/4w, 5% | 5164-12154-00 | Q1, Q7 | Transistor, MJE15030 NPN |
| 5010-10258-00 | R86 | Resistor, 1M Ω , 1/4w, 5% | 5194-09055-00 | Q4, Q5 | Transistor, MPD52 PNP |
| 5010-10983-00 | R53, R75, R79, R84, R85, R89, R90 | Resistor, 1.8K Ω , 1/4w, 5% | 5194-12155-00 | Q6 | Transistor, MJE15031 PNP |
| 5010-12832-00 | R25, R26, R27, R29 | Resistor, 47K Ω , 1/4w, 5% | 5250-13302-00 | U7 | Reg. 78L05T 5v |
| 5010-13215-00 | R78, R97-R101 | Resistor, 200K Ω , 1/4w, 5% | 5250-13303-00 | U8 | Reg. 79L05T 5v |
| 5010-13372-00 | R91-R96, R103, R104 | Resistor, 220 Ω , 1/8w, 5% | 5311-12538-00 | U4 | IC 74HC14 Hex. S-T |
| 5010-13420-00 | R37, R41 | Resistor, 680 Ω , 1/4w, 5% | 5317-12211-00 | U12-U14 | IC Octal Buffer 74ALS541 |
| 5010-13517-00 | R38, R39 | Resistor, 15 Ω , 1/4w, 5% | 5340-12278-00 | U25 | S/Ram 2064 150NS |
| 5010-13607-00 | R4, R5, R7-R15 | Resistor, 6.19K Ω , 1/8w, 1% | 5370-12687-00 | U27 | IC MC 340640Reset Chp |
| 5012-14558-00 | R44 | Resistor, 1.8K Ω , 5w vertical | 5349-14351-00 | U9-U11 | SRAm 8Kx8-35ms, 28pdip |
| 5012-14559-00 | R43 | Resistor, 4.7K Ω , 5w vertical | 5370-12730-00 | U1, U2 | IC Op Amp TL084 |
| 5012-14560-00 | R28 | Resistor, 120 Ω , 5w vertical | 5370-13419-00 | U5, U6 | IC TDA 2030AV 18w, Audio Amp |
| 5013-13661-00 | R16 | Resistor, 9.09K Ω , 1/4w, 1% | 5371-13299-00 | U3 | IC Ad-1851 16bit mono |
| 5013-14456-00 | R6, R18 | Resistor, 3.32K Ω , 1/4w, 1% | 5410-14705-00 | U26 | IC Custom WPC A/V Asic 120PQFP |
| 5040-14569-00 | C35 | Cap., 100mf, 25v, Axial | 5400-13298-00 | J21 | IC MPU 210kp-40 ADSP |
| 5040-09365-00 | C38, C39, C43, C44 | Cap., 1m, 63v(+50, -10%)Ax. | 5520-14561-00 | X2 | Crystal 20MHz, parallel 20pf |
| 5040-12750-00 | C48, C52, C73 | Cap., 22m, 35v Radial | 5671-14516-00 | LED 501 | Led-Display Red T 1-3/4 |
| 5040-13098-00 | C18, C67, C68 | Cap., 4.7 μ , 35v (\pm 20%) | 5700-08985-00 | U24 | Socket IC 40-pin .6 |
| 5040-15413-00 | C36, C37 | Cap., 10000 μ f, 35v, 25mm | 5700-12047-00 | U22 | Socket IC 24.3P |
| 5040-14564-00 | C28, C42 | Cap., 150 μ f, 160v, 20%Rad. | 5700-12088-00 | S2-S7 | Socket Dip 32.6P" |
| 5043-08996-00 | C2, C3, C19, C22-C24, C26, C32, C34, C45, C46, C49, C50, C53-C66, C69, C72, C74-C76, C79, C80 | Cap., 0.1 μ f, 50v (\pm 20%) Ax. | 5705-12638-00 | U5, U6 | Heatsink 5298B |
| 5048-10992-00 | C27 | Cap., .0047m, 50v, 10% Ax. | 5705-14562-00 | Q1, Q6, Q7 | Heatsink 10-220 wave sol 287 |
| 5048-11028-00 | C77 | Cap., 22p, 50v, Axial | 5733-14528-00 | F501, F502, F601, F602 | Fuse Holder 5x20mm 10A. |
| 5048-11029-00 | C25 | Cap., 100p, 50v, 5% Axial | 5731-14532-00 | F501, F502 | Fuse 5x20mm T2.5A., 250V |
| 5048-11030-00 | C7 | Cap., 470p, 50v, Axial | 5731-14840-00 | F601, F602 | Fuse 5x20mm T0.315A., 250V |
| 5048-11033-00 | C1 | Cap., .022m, 50v, 10% Ax. | 5791-10850-00 | J602 | Connector, 26-pin Header Str. |
| 5048-12036-00 | C40, C41 | Cap., .22m, 50v, Axial | 5791-10862-04 | J504, J505 | Connector, 4-pin Header Str. |
| 5048-13172-00 | C78 | Cap., 47 μ f, 50v, 20% Ax. | 5791-10862-07 | J606 | Connector, 7-pin Header Str. |
| 5048-13418-00 | C4 - C6 | Cap., .047m, 50v, 5% Ax. | 5791-10862-08 | J604 | Connector, 8-pin Header Str. |
| 5048-13609-00 | C9, C12, C15 | Cap., 3900pf, 50v, 5% Ax. | 5791-10862-11 | J605 | Connector, 11-pin Header Str. |
| | | | 5791-12516-00 | J601 | Connector, 34 hdr 2 x 17 .100 |
| | | | 5791-12827-00 | J603 | Connector, 14 Hen 7x2 Str. |
| | | | 5791-13830-10 | J607 | Connector, 10-pin Str. Sq. |
| | | | 5010-09534-00 | W0, W1, W12-W17, R49 | Resistor, 0 Ω , 0w |
| | | | A-5343-50066-S2 | S2 | ROM Assembly |
| | | | A-5343-50066-S3 | S3 | ROM Assembly |
| | | | A-5343-50066-S4 | S4 | ROM Assembly |
| | | | A-5343-50066-S5 | S5 | ROM Assembly |
| | | | A-5343-50066-S6 | S6 | ROM Assembly |
| | | | A-5343-50066-S7 | S7 | ROM Assembly |

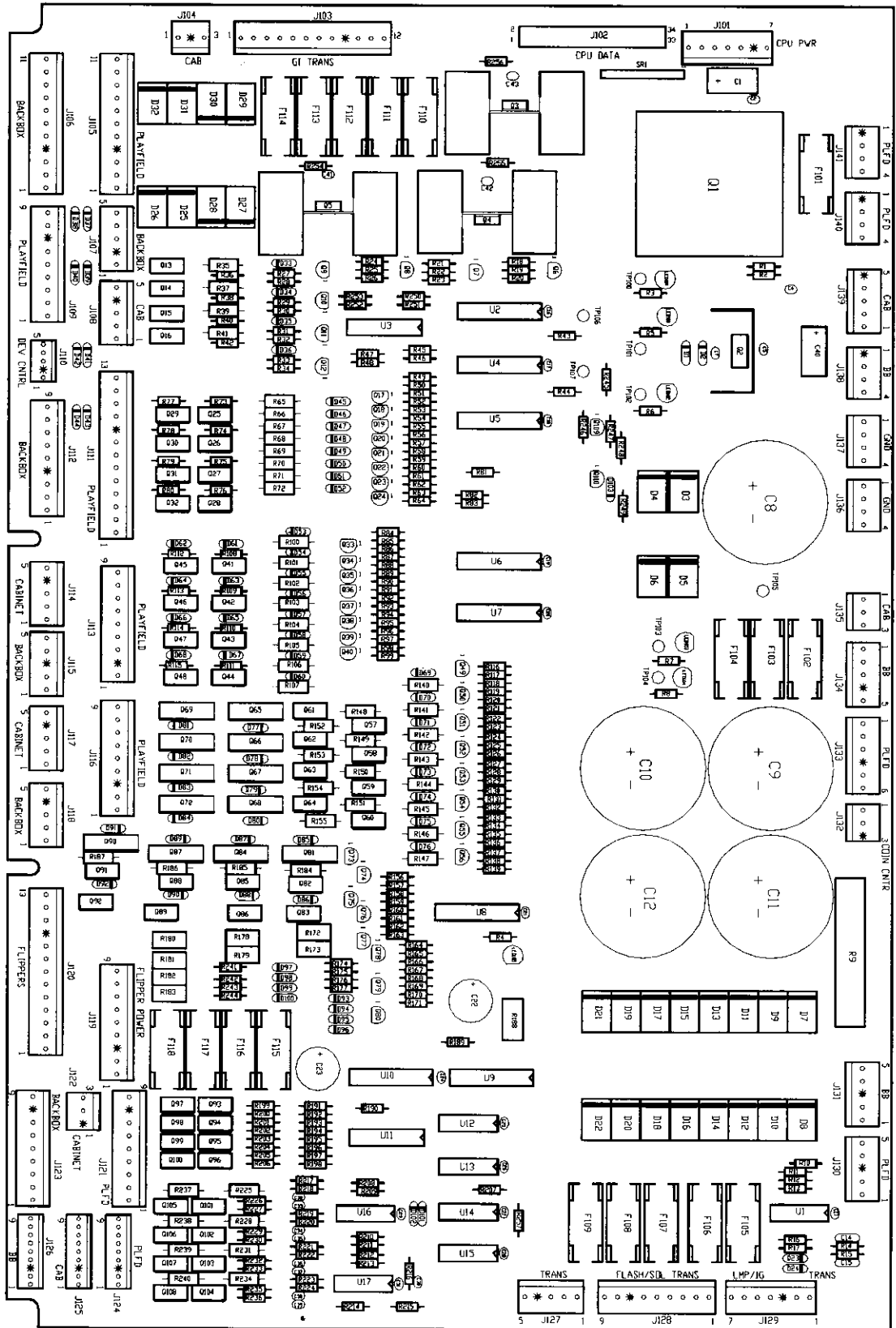
A-20516-50066 WPC '95 Audio Visual PCB Assembly



A-20028 WPC '95 Power Driver PCB Assembly

| Part Number | Designator | Description | Part Number | Designator | Description |
|---------------|---------------------------------------------------------------------------------------|-------------------------------------|---------------|-------------------------------------------------------------------------------------------------------------------------------------------------------------------------------------------------------------------------------|---------------------------|
| 5040-14569-00 | C1, C40 | Capacitor, 100µF, 25v, Ax. | 5010-09999-00 | R3, R4, R6-R8, R43, R44, R61-R83, R190 | Resistor, 2KΩ, 1/4w, 5% |
| 5043-08996-00 | C2, C4, C5, C7, C13, C16-C21, C24-C39, C41-C43 | Capacitor, 0.1m, 50v (±20%) Ax. | 5012-12632-00 | R9 | Resistor, .12Ω, 10w, 5% |
| 5040-13417-00 | C8 - C12 | Capacitor, 10000µf, 35v Radial | 5010-09324-00 | R10 | Resistor, 27KΩ, 1/4w, 5% |
| 5048-11031-00 | C14, C15 | Capacitor, .001m, 50v, 10% Ax. | 5010-09358-00 | R11, R157, R159, R161, R163, R165, R167, R169, R171, R216-R224 | Resistor, 1KΩ, 1/4w, 5% |
| 5040-09537-00 | C22, C23 | Capacitor, 100µ, 100v (±20%) Radial | 5010-09036-00 | R247 | Resistor, 100Ω, 1/4w, 5% |
| 5070-09054-00 | D1, D2, D23, D24, D33 - D100, D103 | Diode 1N4004 1.0A. | 5010-09034-00 | R12, R13, R189, R208-R215, R248 | Resistor, 10KΩ, 1/4w, 5% |
| 5070-14526-00 | D3-D22 | Diode P600G 6A 400 PIV | 5010-08992-00 | R18, R21, R24, R192, R194, R196, R198, R200, R202, R204, R206 | Resistor, 560Ω, 1/4w, 5% |
| 5070-08919-00 | D101, D102 | Diode, 1N4148 150mA. | 5010-08991-00 | R19, R22, R25, R28, R30, R32, R34, R50, R52, R54, R56, R58, R60, R62, R64, R84, R86, R88, R90, R92, R94, R96, R98, R116, R119, R122, R125, R128, R131, R134, R137, R246 | Resistor, 4.7KΩ, 1/4w, 5% |
| 5731-14531-00 | F101 | Fuse 5 x 20mm T.63A., 250V | 5010-11079-00 | R20, R23, R26, R254-R256 | Resistor, 51Ω, 1/4w, 5% |
| 5731-14530-00 | F102-F105, F107, F109-F118 | Fuse 5 x 20mm T 4A, 250V | 5010-09416-00 | R27, R29, R31, R33, R45-R49, R51, R53, R55, R57, R59, R61, R63, R65, R87, R89, R91, R93, R95, R97, R99, R117, R120, R123, R126, R129, R132, R135, R138, R156, R158, R160, R162, R164, R166, R168, R170, R245, R250-R253, R257 | Resistor, 470Ω, 1/4w, 5% |
| 5731-14046-00 | F106 | Fuse, 5x20mm T5.0A, 250V | 5010-08993-00 | R35, R37, R39, R41, R65-R72, R100-R107, R140-R147 | Resistor, 68Ω, 1/4w, 5% |
| 5731-14529-00 | F108 | Fuse 5 x 20mm T6.3A, 250V | 5010-08997-00 | R36, R38, R40, R42, R73-R80, R108, R109, R110-R115, R118, R121, R124, R127, R130, R133, R136, R139 | Resistor, 2.7kΩ, 1/4w, 5% |
| 5733-14528-00 | F101-F118 | Fuse Holder 5 x 20mm 10A | 5010-09361-00 | R148-R155, R184-R187 | Resistor, 220Ω, 1/4w, 5% |
| 5705-14724-00 | Q1 | Heat Sink TO-3 5.1DEG/W | 5011-12956-00 | R172, R173, R178-R183 | Resistor, 2.7KΩ, 1/4w, 5% |
| 5701-09652-00 | Q1 | Thermal Pad TO-3 | 5010-10171-00 | R174-R177, R241-R244 | Resistor, 56Ω, 1/4w, 5% |
| 4406-01128-00 | Q1 | Nut 6-32 KEPS | 5010-14711-00 | R188 | Resistor, 10KΩ, 1/4w, 5% |
| 4006-01005-06 | Q1 | Mach. Screw, 6-32 x 3/8" | 5010-09314-00 | R191, R193, R195, R197, R199, R201, R203, R205 | Resistor, 1.2kΩ, 1/4w, 5% |
| 5705-14562-00 | Q2 | Heat Sink 10-220 Wave Sol 287 | 5010-09086-00 | R207 | Resistor, 6.8kΩ, 1/4w, 5% |
| 4004-01005-06 | Q2-Q5 | Mach. Screw, 4-40 x 3/8" | 5010-12427-00 | R225, R228, R231, R234, R237-R240 | Resistor, .22kΩ, 1/4w, 5% |
| 4404-01119-00 | Q2-Q5 | Nut 4-40 ESN | 5010-08998-00 | R226, R227, R229, R230, R232, R233, R235, R236 | Resistor, 2.2kΩ, 1/4w, 5% |
| 5705-12638-00 | Q3-Q5 | Heat Sink 5298B | 5010-13517-00 | R249 | Resistor, 150Ω, 1/4w, 5% |
| 5791-10862-07 | J101, J129 | Connector, 7-pin Header Str. | 5010-09534-00 | D25-D32 | Resistor, 0Ω, 0w |
| 5791-12516-00 | J102 | Connector, 34 Hdr 2x17 | 5019-10143-00 | SRI | SIP RES 470 x 9R |
| 5791-10862-12 | J103 | Connector, 12-pin Header Str. | 5824-09248-00 | TP100-TP107 | Test Point #1502-1 |
| 5791-10862-03 | J104, J122, J132, | Connector, 3-pin Header Str. | 5370-12272-00 | U1, U16, U17 | I.C. LM339 Quad Comp |
| 5791-10862-11 | J135 | Connector, 11-pin Header Str. | 5281-09486-00 | U2, U4-U8, U10 | I.C. 74LS374 8d/f/f |
| 5791-10862-05 | J105, J106 | Connector, 5-pin Header Str. | 5162-12422-00 | U3, U11 | Trans uln 2803 Oc-drl |
| | J107, J108, J114, J115, J117, J118, J127, J130, J131, J134, J139 | Connector, 9-pin Header Str. | 5281-10182-00 | U9 | I.C. 74LS240 l/drvr |
| | J109, J112, J113, J116, J119, J121, J123, J128 | Connector, 13-pin Header Str. | 5281-09487-00 | U12 - U15 | I.C. 74LS74 Dual d f/f |
| 5791-13830-09 | J111, J120 | Connector, 9-pin Header Str. | 5791-13830-05 | J110 | Connector, 5-pin Header |
| 5791-10862-06 | J124-J126 | Connector, 6-pin Header Str. | | | |
| 5791-10862-04 | J133 | Connector, 4-pin Header Str. | | | |
| 5671-14516-00 | J136-J138, J140, J141 | LED Dspl Red T-1 | | | |
| 5250-14527-00 | LED100-LED105 | Regulator Voltage LM317K | | | |
| 5460-12423-00 | Q1 | I.C. LM7812 | | | |
| 5131-12725-00 | Q2 | Triac 4 Quad Low Gate Current | | | |
| 5194-09055-00 | Q3-Q5 | Transistor, MPD52 PNP | | | |
| | Q6-Q12, Q17-Q24, Q33-Q40, Q49-Q56, Q109 | Transistor, TIP102 | | | |
| 5162-12635-00 | Q13-Q16, Q25-Q32, Q41-Q48, Q57-Q64, Q82, Q83, Q85, Q86, Q88, Q89, Q91, Q92, Q101-Q108 | Transistor, TIP36C | | | |
| 5191-12179-00 | Q65-Q72, Q81, Q84, Q87, Q90 | Transistor, 2N4403 PNP | | | |
| 5190-09016-00 | Q73 - Q80 | Transistor, TIP107 | | | |
| 5192-12428-00 | Q93 - Q100 | Transistor, 2N3904 | | | |
| 5160-10269-00 | Q110 | Resistor, 750Ω, 1/4w, 1% | | | |
| 5013-14535-00 | R1 | Resistor, 243Ω, 1/4w, 1% | | | |
| 5013-14534-00 | R2 | Resistor, 270Ω, 1/4w, 1% | | | |
| 5010-09224-00 | R5, R14-R17 | | | | |

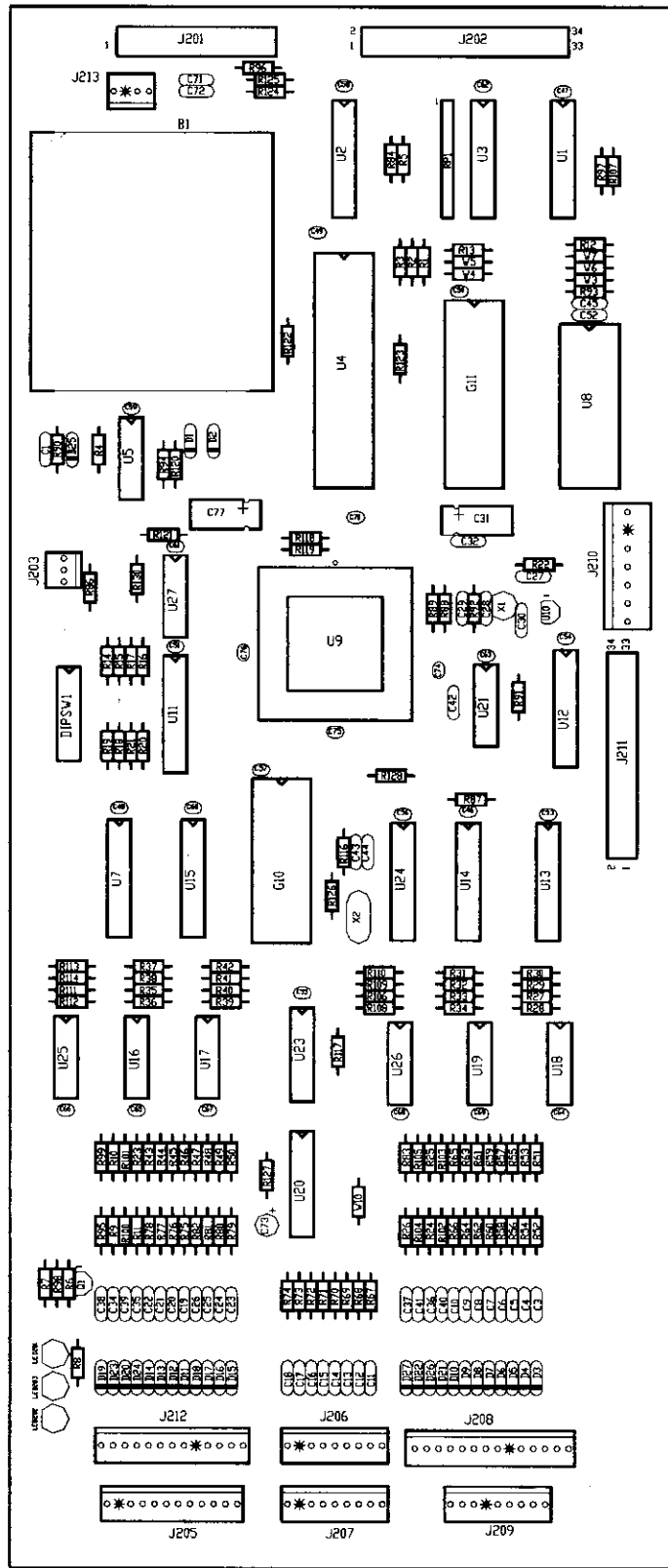
A-20028 WPC '95 Power Driver PCB Assembly



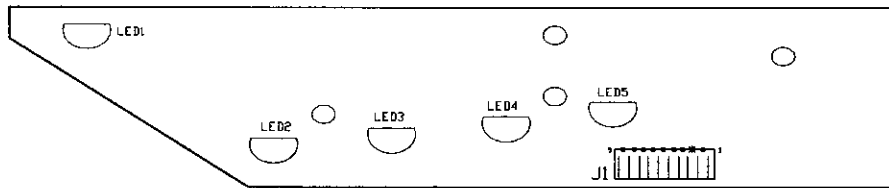
A-21377-50066 WPC '95 CPU PCB Assembly

| Part Number | Designator | Description |
|----------------|---------------------------------------------------------------------------------------------------------------------------------------------------------------------------------------------------------------------------------------------------------------------------------------------------------------------------------------------------------------------------------------------|---------------------------------------------|
| A-15814 | B1 | Battery Holder |
| 5048-11033-00 | C1, C42 | Capacitor, .022m, 50v, 10% Axial |
| 5048-11030-00 | C3-C26, C34-C41 | Capacitor, 470p, 50v, Axial |
| 5043-09030-00 | C27 | Capacitor, .047m, 50v ($\pm 20\%$) Axial |
| 5048-13375-00 | C28 | Capacitor, 100p, 50v (10%) Axial |
| 5048-11028-00 | C29, C30, C43, C44 | Capacitor, 22p, 50v Axial |
| 5040-14569-00 | C31, C77 | Capacitor, 100mf, 25v Axial |
| 5048-11031-00 | C32 | Capacitor, .001m, 50v, 10% Axial |
| 5043-08996-00 | C45-C70, C74-C76 | Capacitor, 0.1m, 50v ($\pm 20\%$) Axial |
| 5040-13098-00 | C73 | Capacitor, 4.7 μ F, @35v ($\pm 20\%$) |
| 5645-09025-00 | DIPSW1 | Switch Dip 8 Pos |
| 5070-09266-00 | D1, D25 | Diode 1N5817 1.0A. |
| 5070-08919-00 | D2-D24, D26, D27 | Diode 1N4148 150ma |
| 5700-10176-00 | G10A | Socket Dip 28.6 |
| 5700-12088-00 | G11 | Socket Dip 32.6p" |
| 5700-08985-00 | U4 | Socket I C 40PI N .6 |
| 5700-12424-00 | U9 | socket 84 PI N PL CC |
| 5700-10389-00 | U20 | Socket I C 18 PIN 3" |
| 5791-10850-00 | J201 | 26H STR Sq. .100 |
| 5791-12516-00 | J211, J202 | 34 HDR 2x17 .100 |
| 5791-13830-12 | J205 | 12H STR Sq. Pin .100 Solid Tab |
| 5791-13830-09 | J206, J207, J209 | 9H STR Sq. Pin .100 Solid Tab |
| 5791-13830-14 | J208 | 14H STR Sq. Pin .100 Solid Tab |
| 5791-10862-07 | J210 | 7H STR Sq. Pin .156 |
| 5791-13830-13 | J212 | 13H STR Sq. Pin .100 Solid Tab |
| 5671-14516-00 | LED201, LED202, LED203 | LED DSPL RED T-1 3/4 |
| 5160-10269-00 | Q1 | Trans 2N3904 NPN |
| 5019-09669-00 | RP1 | SIP 1K 9R 10 5% |
| 5010-09358-00 | R1, R2, R3, R4, R9, R10, R11, R23, R24, R25, R26, R43, R44, R45, R46, R47, R48, R49, R50, R51, R52, R53, R54, R55, R56, R57, R58, R59, R60, R61, R62, R63, R64, R65, R66, R67, R68, R69, R70, R71, R72, R73, R74, R75, R76, R77, R78, R79, R80, R81, R82, R83, R84, R93, R95, R96, R97, R99, R100, R101, R102, R103, R104, R105, R106, R107, R108, R109, R110, R111, R112, R113, R114, R117 | Resistor, 1K Ω , 1/4w, 5% |
| 5010-09416-00 | R5, R6, R7, R8, R12, R13, R87, R88, R89 | Resistor, 470 Ω , 1/4w, 5% |
| 5010-09034-00 | R14, R15, R16, R17, R18, R19, R20, R21, R22, R27, R28, R29, R30, R31, R32, R33, R34, R35, R36, R37, R38, R39, R40, R41, R42, R86, R90, R94, R98 | Resistor, 10K Ω , 1/4w, 5% |
| 5010-12104-00 | R91 | Resistor, 22M, 1/4w, 5% |
| 5010-10989-00 | R92 | Resistor, 470K Ω , 1/4w, 5% |
| 5010-09187-00 | R118, R119, R120, R121, R122, R123, R128, R130 | Resistor, 150 Ω , 1/4w, 5% |
| 5010-09534-00 | W3, W4, W7, R124, R125 | Resistor, 0 Ω , 0w |
| 5010-10258-00 | R126 | Resistor, 1M, 1/4w, 5% |
| 5010-09040-00 | R127 | Resistor, 33 Ω , 1/4w, 5% |
| 5281-09867-00 | U1, U2 | I C 74LS244 OCT BUF |
| 5281-09308-00 | U3 | I C 74LS245 TRNC |
| 5281-09851-00 | U5 | I C 74LS14 SMT/TRG |
| 5315-12031-00 | U7 | I C 74HCT244 |
| 5340-12558-00 | U8 | I C RAM 8K x8 Static Cmos 100ns |
| 5370-12687-00 | U10 | I C MC 34064 Reset CHP |
| 5281-10182-00 | U11, U12, U13, U15 | I C 74LS240 L/DRVR |
| 5311-14068-00 | U14, U24 | I C 74HC574 OCTAL D-Latch |
| 5370-12272-00 | U16, U17, U18, U19, U25, U26 | I C LM339 Quad Comp |
| 5284-12651-00 | U21 | I C 4584 Hex Schmitt |
| 5311-14554-00 | U23 | U I C 74HC237 3 to 8 NON I NV DE |
| 5281-09247-00 | U27 | I C 74LS02 Quad Nor |
| 5520-12084-00 | X1 | Crystal 32. 768 KHZ |
| 5520-14761-00 | X2 | XTL 8MHz Anti-Res Parallel Cut |
| A-5400-50066-1 | G10 | PIC16C57 Assembly |
| A-5343-50066-1 | G11 | Game ROM Assembly |
| 5880-09022-00 | B1 | Battery 1.5v, AA Alk. |
| 5400-10320-00 | U4 | I C MPU 68B09E |
| 5410-12426-00 | U9 | I C WPC-89 ASIC |
| 5162-12422-00 | U20 | Trans Uln 2803 Oc-Dri |

A-21377-50066 WPC '95 CPU PCB Assembly

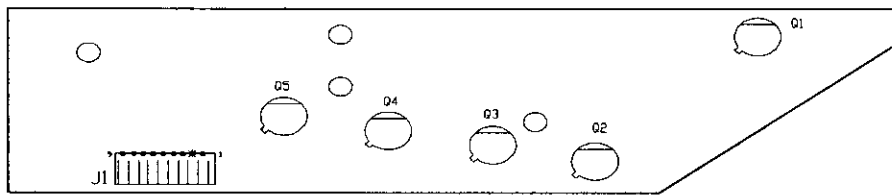


A-18617-1 Trough IR LED PCB Assembly



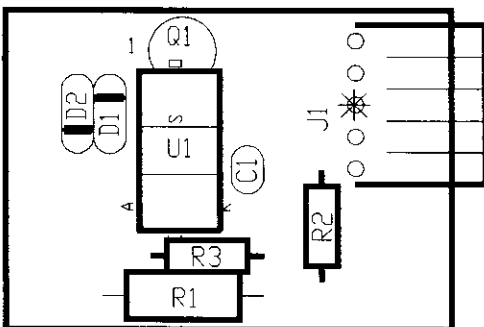
| Part Number | Description | Description |
|---------------|-------------|-----------------------------|
| 5671-12731-00 | LED1 - LED | Infra Red Diode |
| 5791-12622-09 | J1 | Connector, 9-pin Header Sq. |

A-18618-1 Trough IR Photo Transistor PCB Assembly



| Part Number | Description | Description |
|---------------|-------------|-----------------------------|
| 5163-14114-00 | Q1 - Q5 | Infra Red Photo Transistor |
| 5791-12622-09 | J1 | Connector, 9-pin Header Sq. |

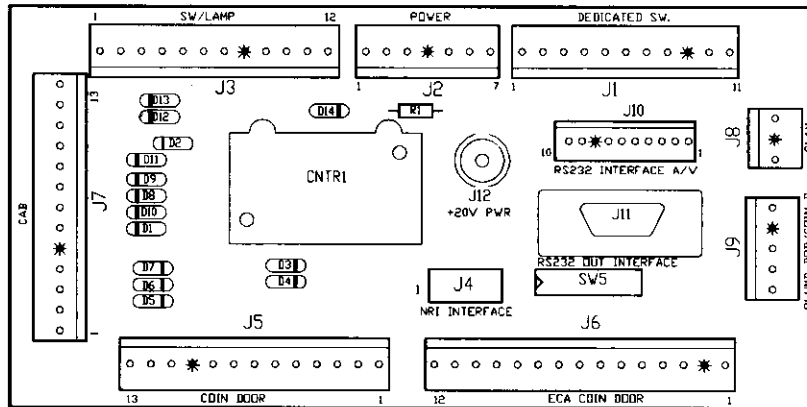
A-22407 Train Single Opto



| Part Number | Description | Description |
|---------------|-------------|---------------------------|
| 5070-08919-00 | D1, D2 | Diode 1N4148 150mA |
| 5010-09061-00 | R1 | Resistor, 680W, 1/2w, 5% |
| 5010-09358-00 | R2 | Resistor, 1K, 1/4w, 5% |
| 5010-08998-00 | R3 | Resistor, 2.2K, 1/4w, 5% |
| 5043-08996-00 | C1 | Capacitor, .1μ, 50v, ±20% |
| 5160-10269-00 | Q1 | Trans. 2N3904 |
| 5490-14327-00 | U1 | IC Opto Integ Schmitt |
| 5791-12622-05 | J1 | Connector, 5-pin Header |

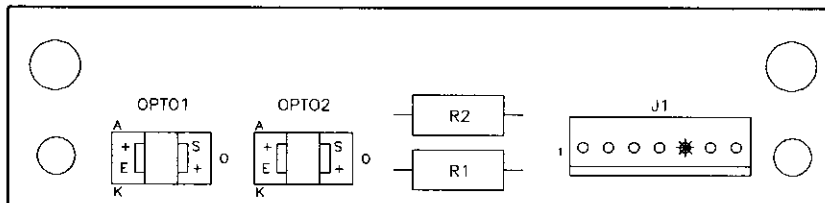
A-20580 Coin Interface PCB Assembly

(This board does not contain optional items such as the coin counter and printer interface.)



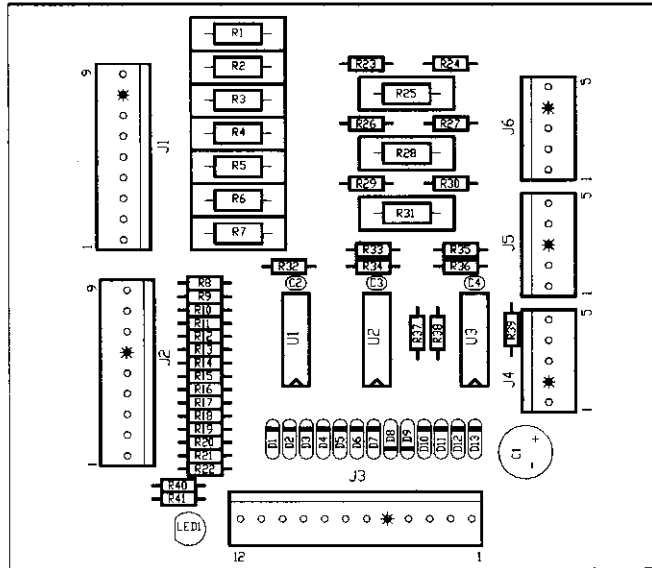
| Part Number | Designator | Description |
|---------------|------------|-----------------------------------|
| 5070-09054-00 | D1-D14 | Diode 1N4004 1.0A. |
| 5791-10862-11 | J1 | Connector, 11-pin Header Str. Sq. |
| 5791-10862-07 | J2 | Connector, 7-pin Header Str. Sq. |
| 5791-10862-12 | J3 | Connector, 12-pin Header Str. Sq. |
| 5791-11000-10 | J4 | Connector, 10-pin Header Str. Sq. |
| 5791-10862-13 | J5, J7 | Connector, 13-pin Header Str. Sq. |
| 5791-10862-15 | J6 | Connector, 15-pin Header Str. Sq. |
| 5791-10862-03 | J8 | Connector, 3-pin Header Str. Sq. |
| 5791-10862-05 | J9 | Connector, 5-pin Header Str. Sq. |
| 5010-13517-00 | R1 | Resistor, 15Ω, 1/4w, 5% |
| 5645-09025-00 | SW5 | Switch DIP 8 Pos. |

A-17316 Flipper Opto PCB Assembly



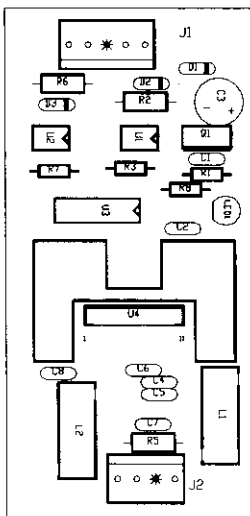
| Part Number | Designator | Description |
|---------------|-----------------|-----------------------------------|
| A-20207.1 | - | Flipper Opto Switch PCB |
| 5010-09061-00 | R1, R2 | Resistor, 680Ω, 1/2w, 5% |
| 5490-14575-00 | OPTO1, OPTO2 | IC Opto Integ Schmitt 10mA. |
| 5791-13830-07 | J1 | Connector, 7-pin Header Solid Sq. |
| 03-9001.1 | - | Interrupter Flip-Opto |
| 01-14348.1 | - | Spring Flipper Switch |

A-20246 10-Opto PCB Assembly w/Bracket



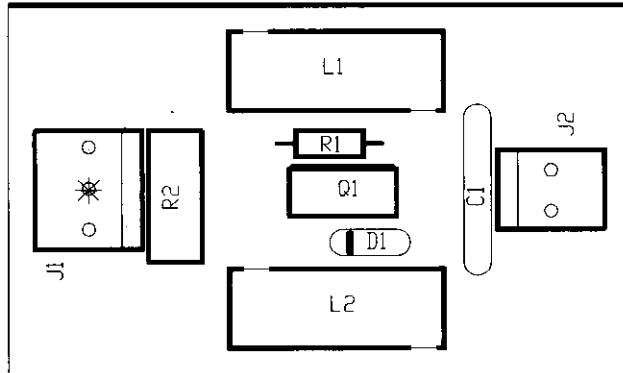
| Part Number | Designator | Description |
|---------------|----------------------------|-------------------------------|
| A-18159.1 | - | 10-opto PCB Assembly |
| 5040-10974-00 | C1 | Capacitor, 100M, 35v Radial |
| 5043-08996-00 | C2-C4 | Capacitor, 0.1M, 50v ±20% Ax. |
| 5070-09054-00 | D1-D13 | Diode 1N4004, 1.0A. |
| 5791-10862-09 | J1, J2 | Connector, 9-pin Header |
| 5791-10862-12 | J3 | Connector, 12-pin Header |
| 5791-10862-05 | J4-J6 | Connector, 5-pin Header |
| 5671-13732-00 | LED1 | LED Dspl Red T-1 ¼ |
| 5010-12928-00 | R1-R7, R28, R31, R50 | Resistor, 270Ω, 2w, 5% |
| 5010-09999-00 | R8-R24, R26, R27, R29, R30 | Resistor, 2KΩ, 1/4w, 5% |
| 5010-09162-00 | R32, R35, R39-R41 | Resistor, 100KΩ, 1/4w, 5% |
| 5010-08774-00 | R34, R36-R38 | Resistor, 22KΩ, 1/4w, 5% |
| 5370-12272-00 | U1-U3 | IC LM339 Quad Comp |
| 5010-08776-00 | R33 | Resistor, 68KΩ, 1/4w, 5% |
| 01-10756 | - | PCB Mounting Bracket |
| 07-6688-18N | - | Rivet: 1/8 x 3/16" |

A-16120 D.C. Motor Control Board



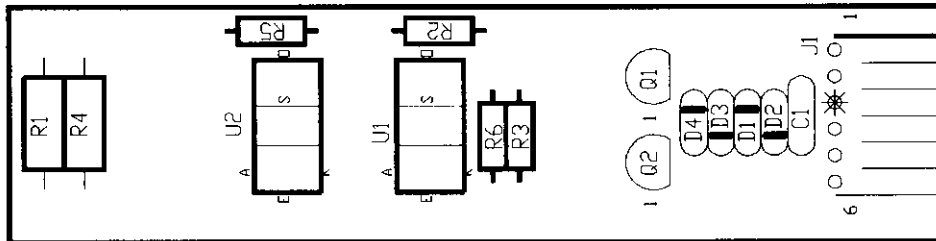
| Part Number | Designator | Description |
|---------------|--------------------|-------------------------------|
| 5791-12273-04 | J2 | Connector, 4-pin Header |
| 5791-12273-05 | J1 | Connector, 5-pin Header |
| 5671-13732-00 | LED1 | LED Display Red |
| 5070-09054-00 | D1, D2, D3 | Diode, 1N4004, 1A |
| 5551-09822-00 | L1, L2 | Inductor, 4.7μH, 3A |
| 5010-09061-00 | R2, R6 | Resistor, 680Ω, 1/2w, 5% |
| 5010-10255-00 | R5 | Resistor, 10Ω, 1/2w, 5% |
| 5010-08997-00 | R3, R7, R8 | Resistor, 2.7KΩ, 1/4w, 5% |
| 5010-09085-00 | R1 | Resistor, 1.5KΩ, 1/4w, 5% |
| 5040-10974-00 | C3 | Capacitor, 100μF, 35V radical |
| 5370-13342-00 | U4 | IC, 3A DMOS Bridge Drv |
| 5490-10892-00 | U1, U2 | IC, Opto Isolator 4N25 |
| 5250-09157-00 | Q1 | Reg., 7805, 1A, 5V |
| 5043-08980-00 | C2, C4, C6, C7, C8 | Capacitor, .01μF, 50V, +80-20 |
| 5043-12807-00 | C1 | Capacitor, 1μF, 50V, +80-20 |
| 5281-09500-00 | U3 | IC, 74LS32 Quad OR |
| 5043-08996-00 | C5 | Capacitor, .1μF, 50V, +80-20 |

04-12330 Motor EMI w/Brake & Resistors



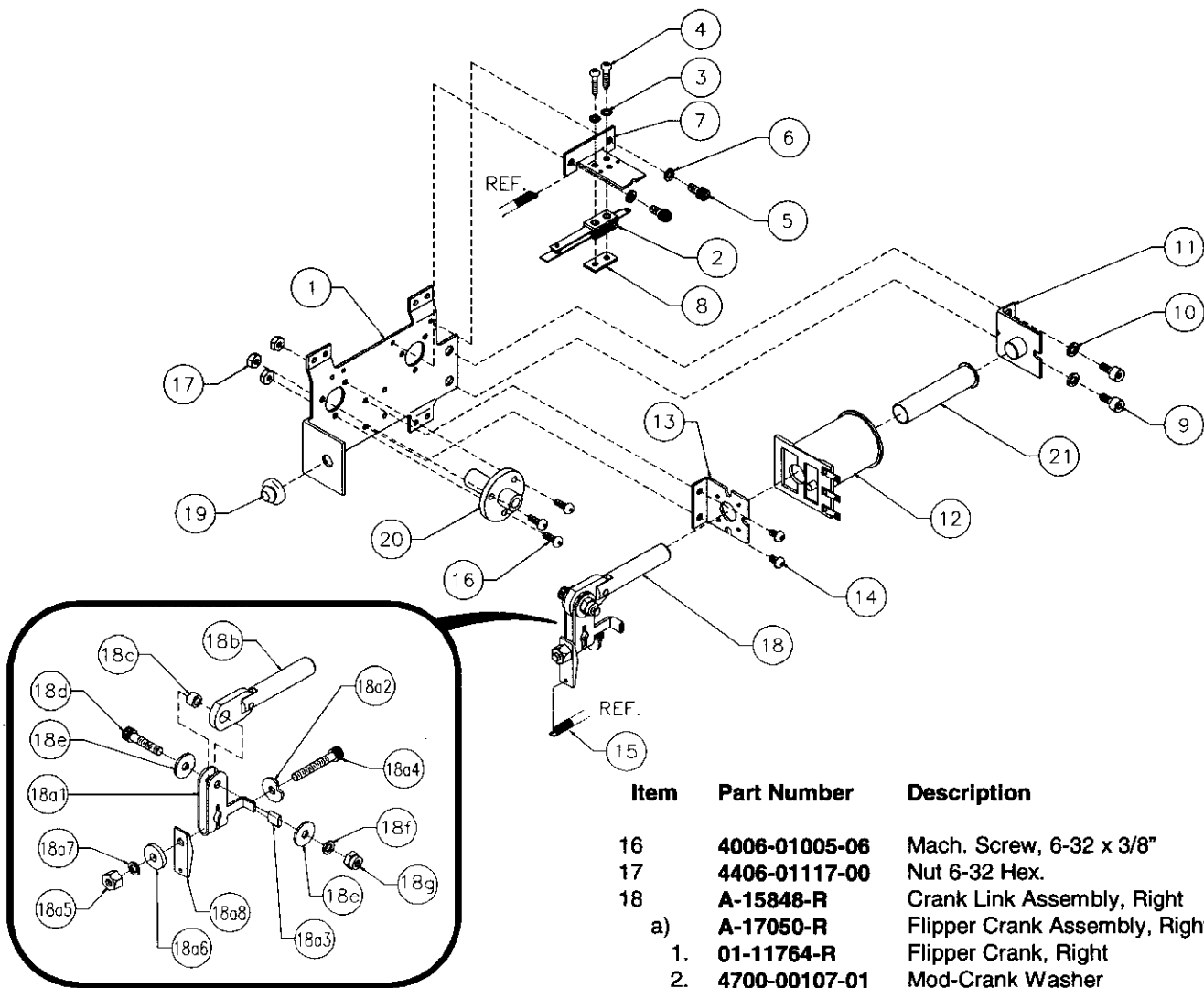
| Part Number | Designator | Description |
|---------------|------------|--------------------------|
| 5551-09822-00 | L1, L2 | Ind. 4.7mH, 3Amp |
| 5791-12273-03 | J1 | Connector 3-pin Header |
| 5791-12273-02 | J2 | Connector, 2-pin Header |
| 5010-08998-00 | R1 | Resistor, 2.2K, 1/4w, 5% |
| 5070-09054-00 | D1 | Diode 1N4004 1A. |
| 5162-12635-00 | Q1 | Trans. TIP102 |
| 5011-15824-00 | R2 | Resistor, 270Ω, 5%, 3w |

A-22443 Mine Dual Opto PCB



| Part Number | Designator | Description |
|---------------|------------|--------------------------------|
| 5070-08919-00 | D1-D4 | Diode 1N4148 150mA |
| 5010-09061-00 | R1, R4 | Resistor, 680, 1/2w, 5% |
| 5010-09358-00 | R2, R5 | Resistor, 1K, 1/4w, 5% |
| 5010-08998-00 | R3, R6 | Resistor, 2.2K, 1/4w, 5% |
| 5043-08996-00 | C1 | Capacitor, 0.1μF, 50v ±20% Ax. |
| 5160-10269-00 | Q1, Q2 | Trans. 2N3904 |
| 5490-14575-00 | U1, U2 | IC Opto Integ Schmitt |
| 5791-12622-06 | J1 | Connector, 6-pin Header |

A-14876-R Flipper Assembly



| Item | Part Number | Description |
|------|----------------------|------------------------------|
| 1 | A-14877-R | Flipper Base Assembly, Right |
| 2 | SW-1A-194 | Switch Assembly |
| 3 | 4701-00002-00 | Lock Washer #6 Split |
| 4 | 4105-01019-10 | Sh. Metal Screw, #5 x 5/8" |
| 5 | 4008-01227-05 | Mach. Screw, 8-32 x 5/16" |
| 6 | Not Used | |
| 7 | 01-9375 | Switch Mounting Bracket |
| 8 | 20-6516 | Speednut, Tinnerman |
| 9 | 4010-01066-06 | Cap Screw, 10-32 x 3/8" |
| 10 | 4701-00004-00 | Lock Washer #10 Split |
| 11 | A-12390 | Flipper Stop Assembly |
| 12 | FL-11630 | Flipper Coil, Blue |
| 13 | 01-7695-1 | Solenoid Bracket |
| 14 | 4006-01017-04 | Mach. Screw, 6-32 x 1/4" |
| 15 | 10-364 | Spring |

| Item | Part Number | Description |
|------|----------------------|----------------------------------|
| 16 | 4006-01005-06 | Mach. Screw, 6-32 x 3/8" |
| 17 | 4406-01117-00 | Nut 6-32 Hex. |
| 18 | A-15848-R | Crank Link Assembly, Right |
| a) | A-17050-R | Flipper Crank Assembly, Right |
| 1. | 01-11764-R | Flipper Crank, Right |
| 2. | 4700-00107-01 | Mod-Crank Washer |
| 3. | RM-23-06 | H.S. Tubing 1/4" |
| 4. | 4010-01066-20 | Mach. Screw, 10-32 x 1-1/4" |
| 5. | 4410-01127-00 | Nut, 10-32 Hex. |
| 6. | 4700-00107-00 | FW: 13/64 x 5/8 x 12ga. |
| 7. | 4701-00004-00 | Lockwasher #10 Split |
| 8. | 01-9376 | Spring Retainer Bracket |
| b) | A-15847 | Flipper Link Assembly |
| c) | 02-4676 | Link Spacer Bushing |
| d) | 4010-01086-14 | Cap Screw, 10-32 x 7/8" |
| e) | 4700-00023-00 | Flat Washer, 5/8 x 13/64 x 16ga. |
| f) | 4701-00004-00 | Lock Washer #10 Split |
| g) | 4410-01132-00 | Nut 10-32 ESN |
| 19 | 23-6577 | Bumper Plug, 5/8" |
| 20 | 03-7568 | Flipper Bushing |
| 21 | 03-7066-5 | Coil Tubing |

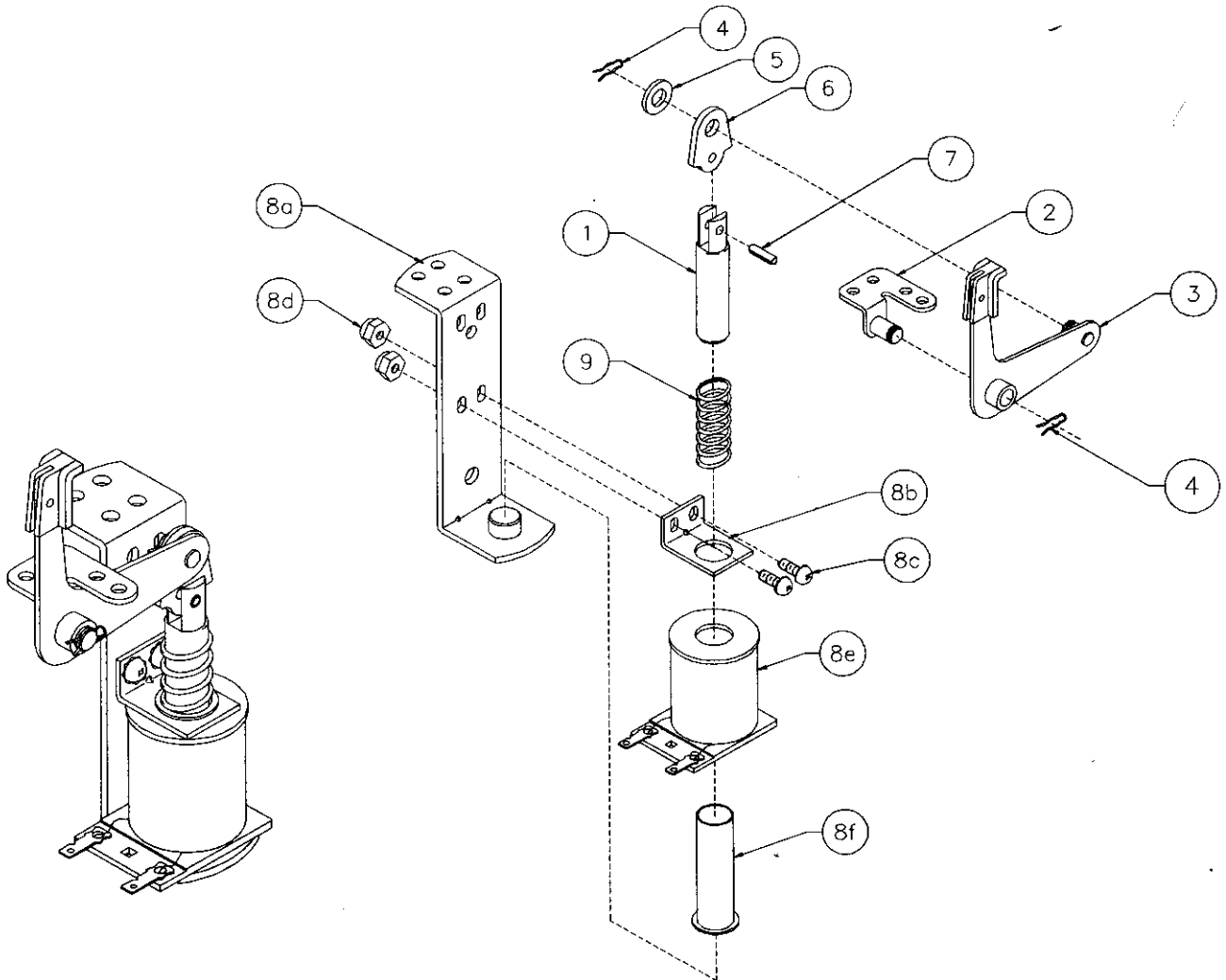
Associated Parts: (Not Shown)

| | |
|-------------------|---------------------|
| 23-6695 | Flipper Ring |
| 20-10110-5 | Flipper Bat w/Shaft |

Flipper Notes...

- Each Flipper Assembly is mounted beneath the playfield, in conjunction with the Plastic Flipper & Shaft, and Flipper Rubber on the upper side of the playfield.
- With the flipper, in the non-activated position, the E.O.S. Switch contacts must have a gap of .062 (± 0.015) inch. When flipper is activated switch must close.
- Any adjustment of the E.O.S. switch must be made at a minimum distance of 0.25 inch from the switch body.
- Longer blade of E.O.S. switch must be made straight. Gap adjustment is done by adjusting shorter blade.
- All moving elements of the assembly must operate freely without any evidence of binding.
- Apply Loctite™ 245 when reattaching screws to the Flipper Stop Assembly, the Solenoid Bracket, and the Flipper Bushing.

A-17811 Kicker Arm (Slingshot) Assembly

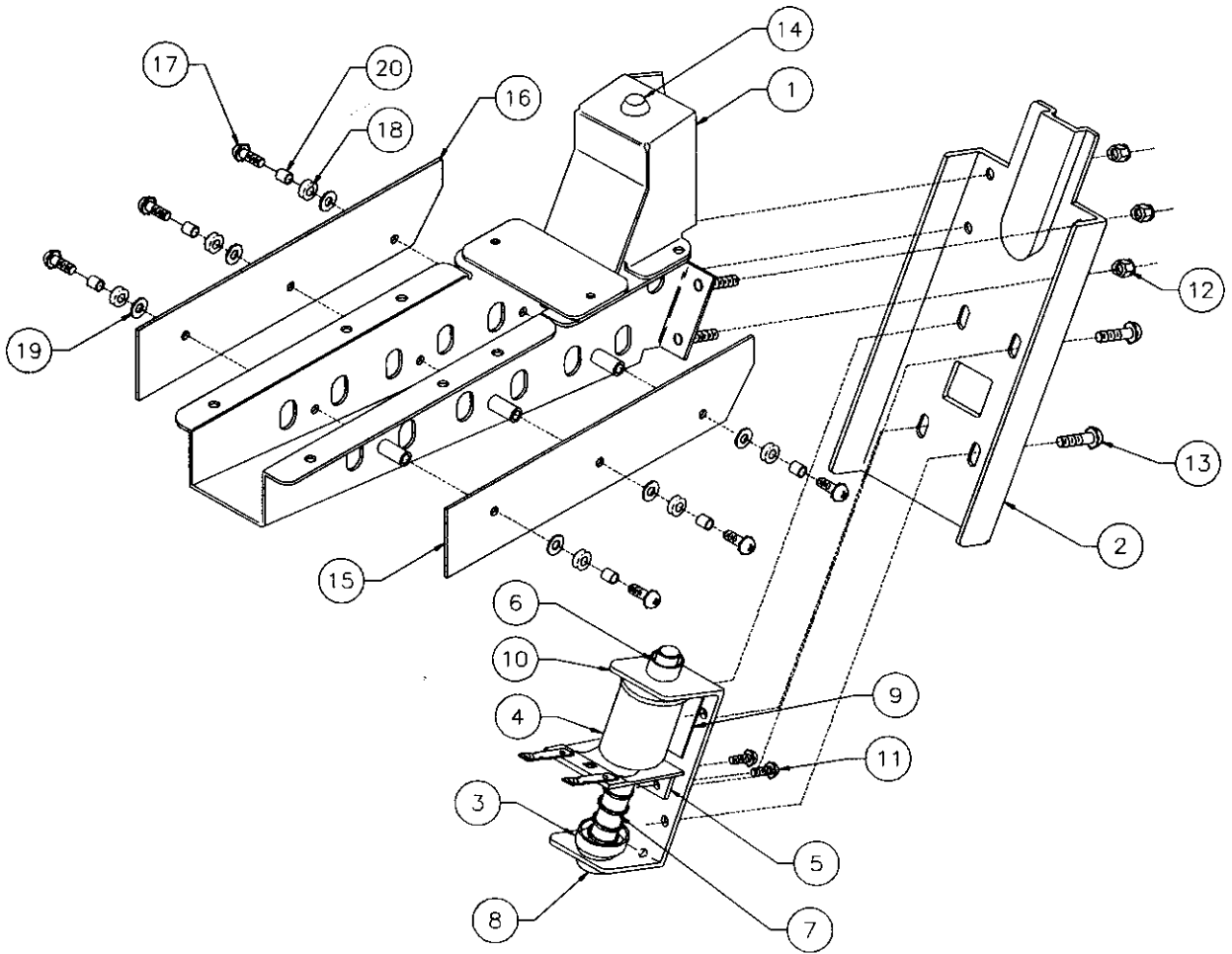


Associated Parts for Right & Left Kickers:

| Item | Part Number | Description |
|------|---------------|-------------------------|
| 1 | 02-2364 | Coil Plunger |
| 2 | A-17810 | Mounting Bracket Assy. |
| 3 | A-12664 | Kicker Crank Assembly |
| 4 | 12-6227 | Hairpin Clip |
| 5 | 4700-00030-00 | FW, 17/64 x 1/2 x 15ga. |
| 6 | 03-8085 | Armature Link |
| 7 | 20-8716-5 | Roll Pin, 1/8 x 7/16" |

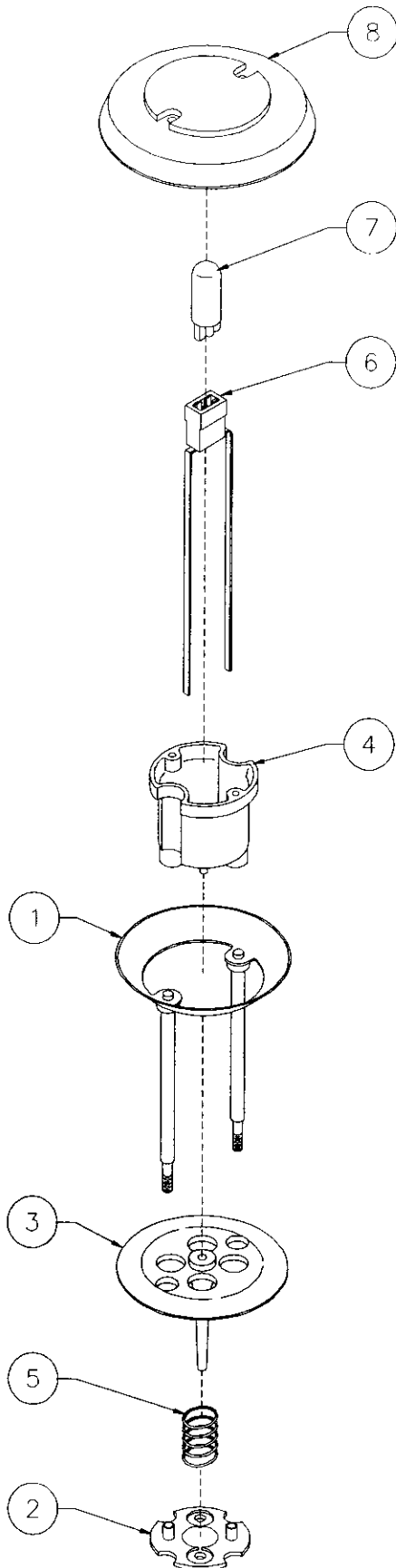
| Item | Part Number | Description |
|------|---------------|-----------------------------|
| 8 | A-22206-2 | Coil & Bracket Assembly, R. |
| | A-22207-2 | Coil & Bracket Assembly, L. |
| a) | A-17808 | Bracket & Stop Assembly |
| b) | 01-8-508-S | Coil Retaining Bracket |
| c) | 4006-01017-06 | Mach. Screw, 6-32 x 3/8" |
| d) | 4406-01119-00 | Nut, 6-32 ESN |
| e) | AE-26-1200 | Coil Assembly |
| f) | 03-7066 | Coil Tubing |
| 9 | 10-128 | Spring |

A-19963 Ball Trough Assembly Complete



| Item | Part Number | Description | Item | Part Number | Description |
|------|-------------|--------------------------|------|---------------|----------------------------------|
| 1 | A-16809-2 | Ball Trough Welded Assy. | 11 | 4008-01017-05 | Mach. Screw, 8-32 x 5/16" |
| 2 | 01-11587 | Ball Trough Front | 12 | 4408-01119-00 | Nut 8-32 ESN |
| 3 | A-6306-2 | Bell Armature Assembly | 13 | 4008-01227-06 | Mach. Screw, 8-32 x 3/8" |
| 4 | AE-26-1500 | Coil Assembly | 14 | 23-6702 | Bumper Plug |
| 5 | 01-8-508-T | Solenoid Assembly | 15 | A-18617-1 | Trough IRED LED PCB Assembly |
| 6 | 03-7067-5 | Coil Tubing | 16 | A-18618-1 | Trough IRED Transistor PCB Assy. |
| 7 | 10-135 | Spring | 17 | 4006-01003-10 | Mach. Screw, 6-32 x 5/8" SEMS |
| 8 | 23-6420 | Rubber Grommet | 18 | 23-6626 | Rubber Grommet |
| 9 | 03-8523 | Insulator | 19 | 4700-00004-00 | Flat Washer, 9/64 x 7/16 x 21ga. |
| 10 | 01-11586 | Coil Mounting Bracket | 20 | 02-4975 | Bushing |

B-9414-4 Jet Bumper Assembly

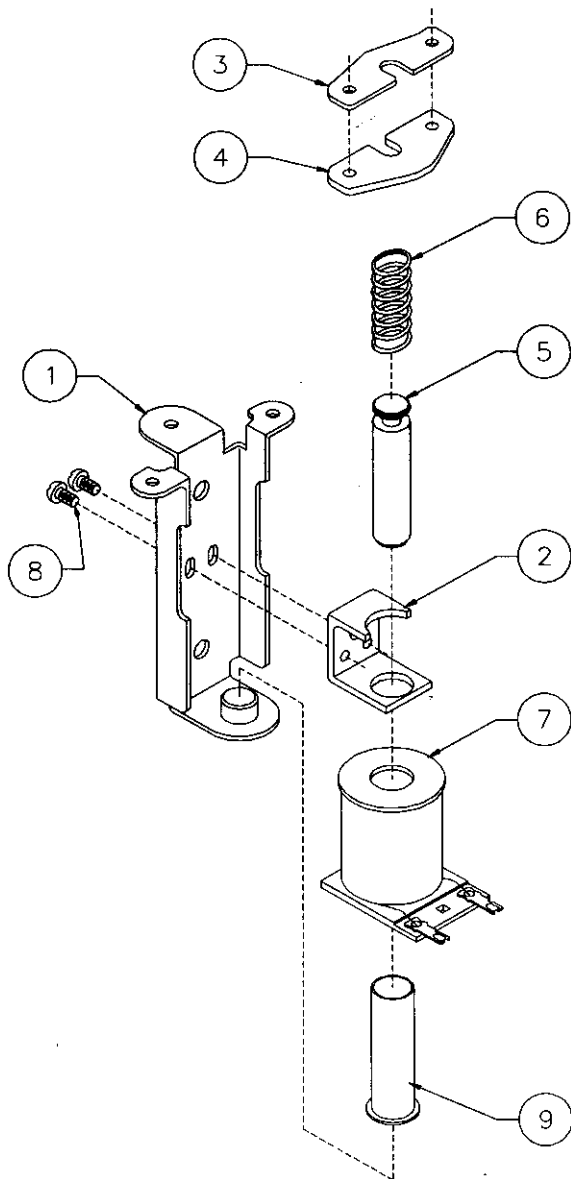


| Item | Part Number | Description |
|------|-------------|------------------------------|
| 1 | A-4754 | Bumper Ring Assembly |
| 2 | 03-6009-A5 | Bumper Base, White |
| 3 | 03-6035-27 | Bumper Wafer, Op. Teal Green |
| 4 | 03-7443-5 | Bumper Body, White |
| 5 | 10-7 | Spring |
| 6 | 24-8776 | Socket-Wedge Base |
| 7 | 24-8768 | Bulb #555(6.5v., 0.25A.) |

Associated Parts:

| | | |
|---|------------|--------------------|
| 8 | 03-8254-25 | Jet Bumper Cap (2) |
|---|------------|--------------------|

A-22205-2 Jet Coil & Bracket Assembly

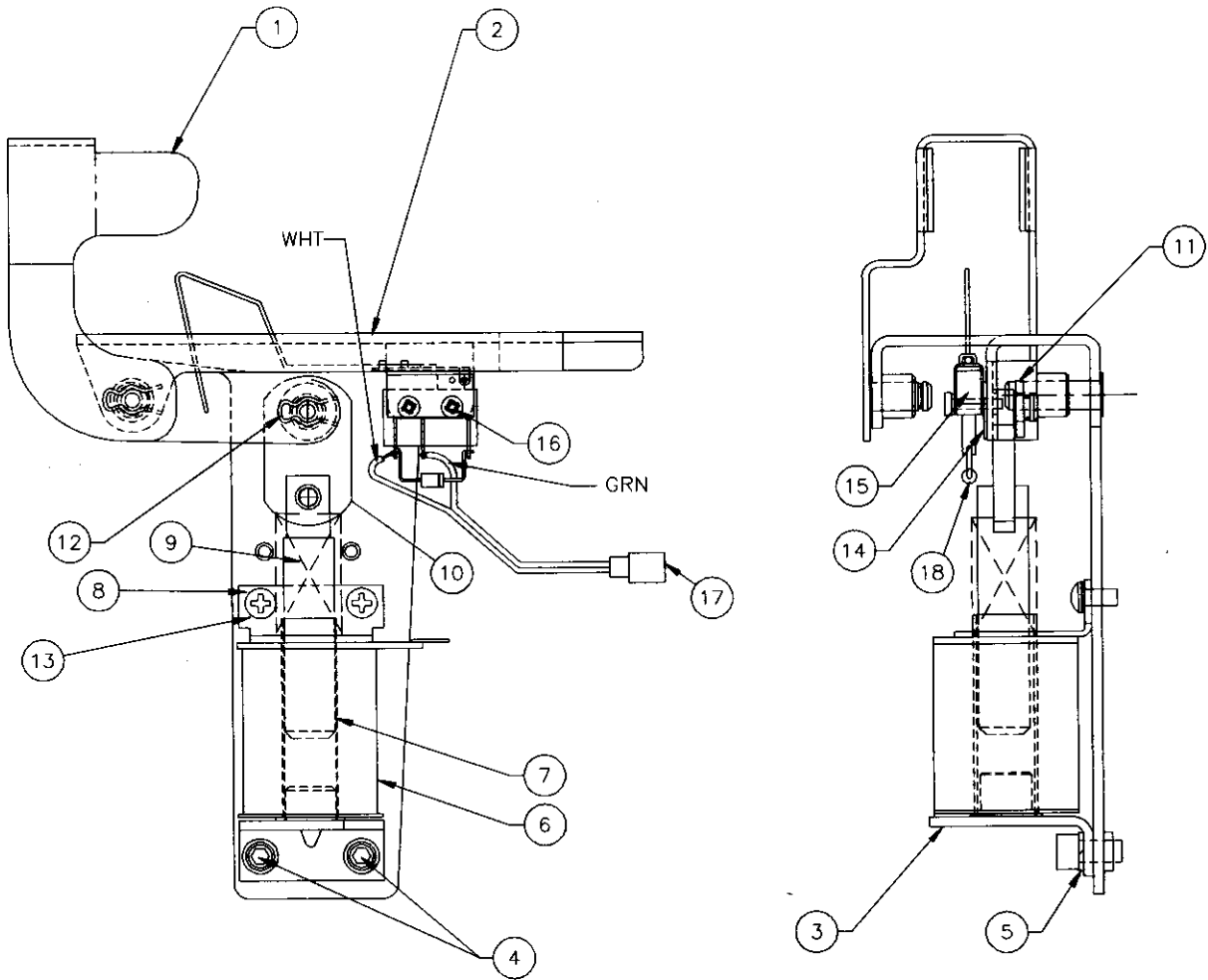


| Item | Part Number | Description |
|------|---------------|--------------------------|
| 1 | 04-10888 | Bracket & Stop Assembly |
| 2 | 01-1747 | Coil Retaining Bracket |
| 3 | 01-5492 | Armature Link, Steel |
| 4 | 01-5493 | Armature Link, Bakelite |
| 5 | 02-3406-1 | Coil Plunger |
| 6 | 10-326 | Armature Spring |
| 7 | AE-26-1200 | Coil Assembly |
| 8 | 4006-01017-04 | Mach. Screw, 6-32 x 1/4" |
| 9 | 03-7066 | Coil Tubing |

Associated Parts: (Not Shown)

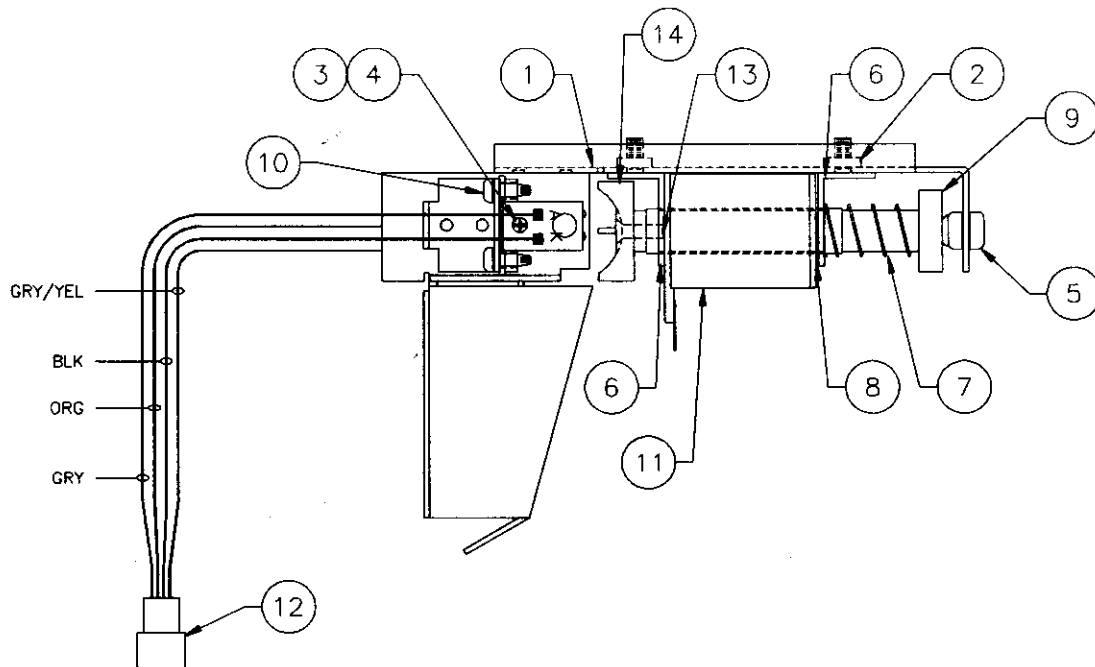
| | | |
|----|---------------|--------------------------|
| 10 | B-12030-2 | Leaf Switch Assembly |
| a) | A-16443 | Switch & Diode Assembly |
| b) | 01-1168 | Switch Mounting Bracket |
| c) | 01-3670 | Switch Plate |
| d) | 03-7395 | Switch Actuator |
| e) | 4005-01003-12 | Mach. Screw, 5-40 x 3/4" |
| f) | 4405-01117-00 | Nut 5-40 Hex. |

A-21022-1 Shooter Lane Kicker Assembly



| Item | Part Number | Description |
|------|---------------|----------------------------------|
| 1 | 04-10210.4 | Kicker Crank |
| 2 | 04-10211.5 | Coil Mounting Bracket |
| 3 | 04-10461 | Flipper Stop Bracket Assembly |
| 4 | 4010-01066-06 | Cap Screw, #10 x 3/8" |
| 5 | 4701-00004-00 | Lock Washer #10 Split |
| 6 | AE-23-800 | Coil Assembly |
| 7 | 03-7066 | Coil Tubing |
| 8 | 01-8413 | Coil Mounting Bracket |
| 9 | 10-128 | Spring |
| 10 | A-15847 | Flipper Link Assembly |
| 11 | 4700-00104-00 | Flat Washer, 23/64 x 1/2 x 16ga. |
| 12 | 12-6227 | Hair Pin Clip |
| 13 | 4006-01003-05 | Mach. Screw, 6-32 x 5/16" |
| 14 | 01-8600 | Insulator |
| 15 | 5647-12693-68 | Mini-Micro Switch |
| 16 | 4002-01105-08 | Mach. Screw, 2-56 x 1/2" |
| 17 | H-16437 | Cable |
| 18 | 5070-09054-00 | Diode |

A-22467 Mine Popper Assembly

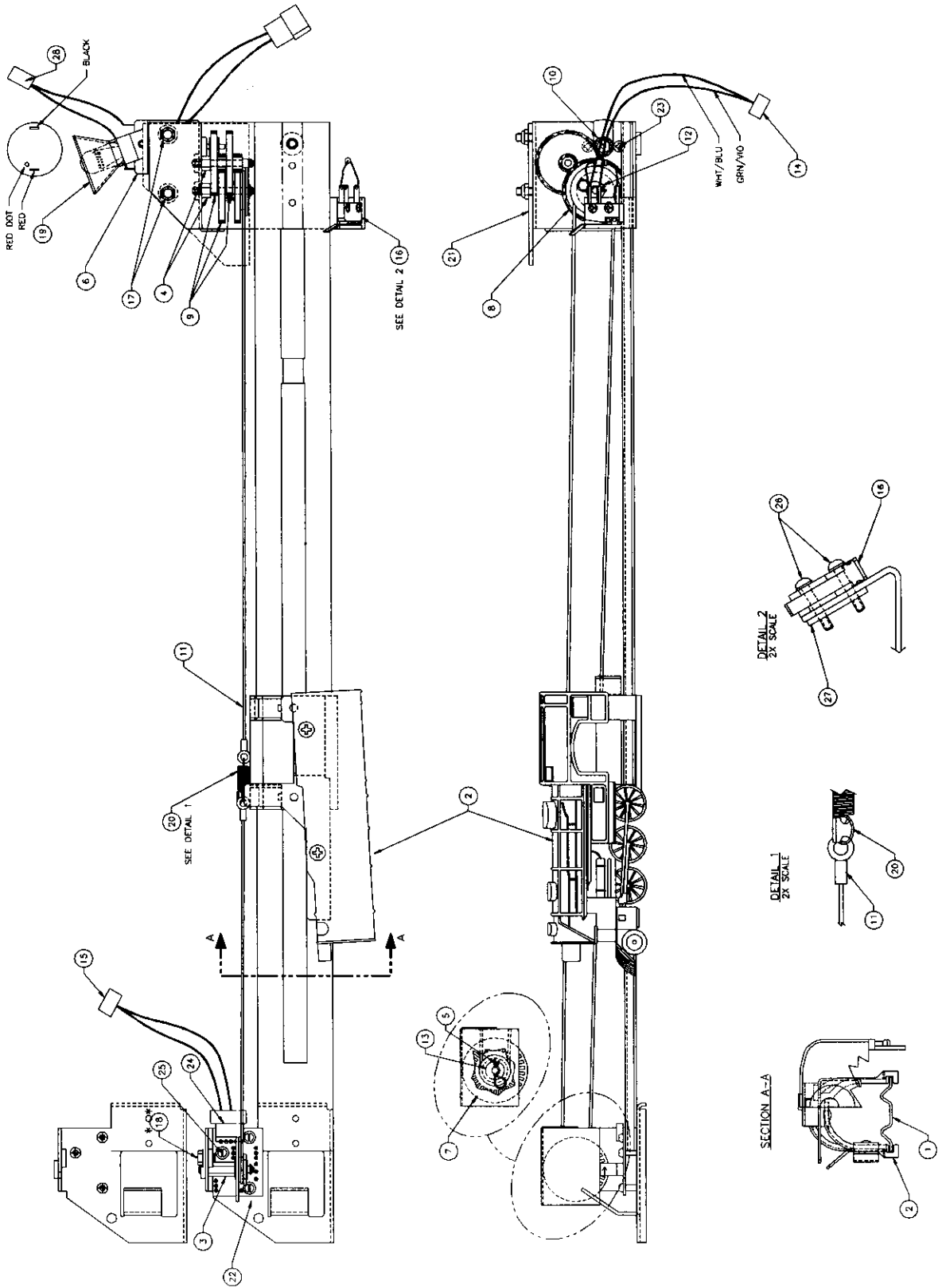


| Item | Part Number | Description |
|------|---------------|-------------------------------|
| 1 | 04-11154 | Mine Popper Bracket |
| 2 | 4408-01119-01 | 8-32 ESN Nut |
| 3 | A-16908 | LED Assembly |
| 4 | A-16909 | Photo Transistor Assembly |
| 5 | 23-6420 | Rubber Grommet |
| 6 | 04-10322-2 | Coil Bracket |
| 7 | 10-135 | Spring |
| 8 | 03-7067 | Coil Tubing |
| 9 | 04-10291 | Bell Armature Assembly |
| 10 | 4106-01013-06 | Sh. Metal Screw: #6 x 3/8" |
| 11 | AE-24-900 | Coil Assembly |
| 12 | H-17609-5 | Cable Harness |
| 13 | 4106-01152-08 | Sh. Metal Screw: #6-32 x 1/2" |
| 14 | 03-8561 | Ball Popper Cap |

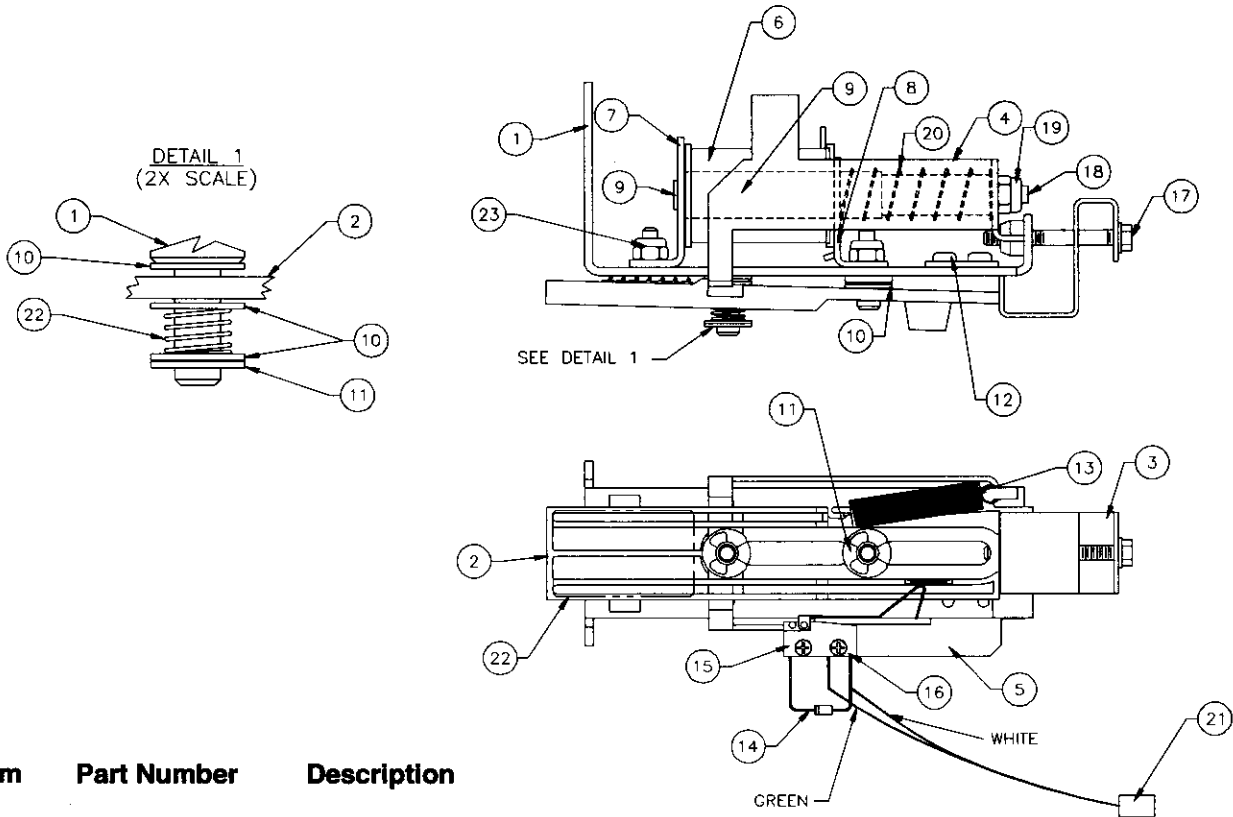
A-22271 Train Assembly

| Item | Part Number | Description |
|------|---------------|----------------------------------|
| 1 | 04-11223.1 | Train Rail Assembly |
| 2 | A-22272 | Train Car Assembly |
| 3 | 02-5460 | Opto Wheel Shaft |
| 4 | 02-5461 | Gear Shaft |
| 5 | 12-7446 | Hairpin Clip, 1/8" |
| 6 | 14-8015 | Gear Box Motor |
| 7 | 03-9221 | Pulley Opto |
| 8 | 03-9220 | Cluster Pulley |
| 9 | 03-9219 | Gear Cluster |
| 10 | 03-9222 | Pinion Gear |
| 11 | 20-10570 | Train Assembly Cord |
| 12 | 4700-00013-00 | Flat Washer: 11/64 x 3/8 x 20ga. |
| 13 | 4700-00004-00 | Flat Washer: 9/64 x 3/8 x 22ga. |
| 14 | H-16437 | Cable |
| 15 | H-22461 | Cable |
| 16 | 5647-12693-66 | Switch |
| 17 | 4408-01119-01 | Nut 8-32 ESNA |
| 18 | 4008-01220-06 | Mach. Screw: 8-32 x 3/8" |
| 19 | 04-11152.1-12 | Flasher |
| 20 | 10-96 | Spring |
| 21 | 31-3224-9 | Playfield Plastic |
| 22 | 01-14999 | Shield Opto |
| 23 | 20-10131-07Y | Metric Screw M2.6 x 8MM |
| 24 | A-22407 | PCB Opto |
| 25 | 4004-01003-04 | Mach. Screw 4-40 x 1/4" P-PH-S |
| 26 | 4002-01105-07 | Mach. Screw 2-56 x 7/16" P-PH-S |
| 27 | 01-8240 | Plate |
| 28 | H-18601-5 | Cable |

A-22271 Train Assembly



A-22296-1 & A-22296-2 Duty Cycle/Drop Target Assembly

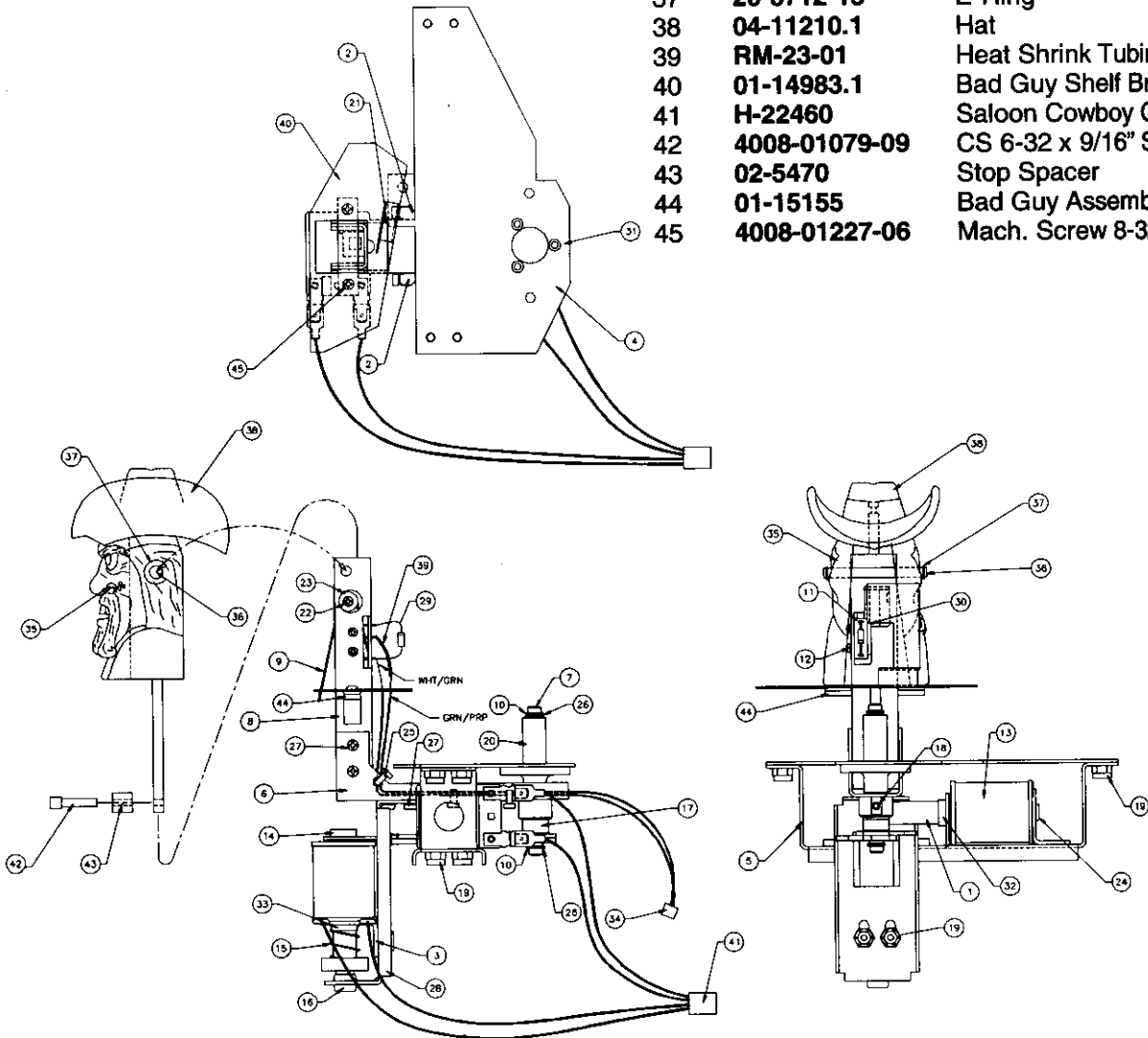


| Item | Part Number | Description |
|------|---------------|-----------------------------|
| 1 | A-14617 | Bracket & Stud Assembly |
| 2 | 03-9848 | Target |
| 3 | 01-14848 | Target Adjusting Bracket |
| 4 | 04-11220 | Target Actuator Bracket |
| 5 | 01-14846 | Switch Bracket |
| 6 | AE-26-1500 | Coil Assembly |
| 7 | A-11397 | Stop Bracket Assembly |
| 8 | 01-8413 | Bracket & Coil Mounting |
| 9 | 03-7066-4 | Tubing |
| 10 | 4700-00072-00 | Washer |
| 11 | 20-8712-25 | E-Ring |
| 12 | 4006-01003-03 | Mach. Screw: 6-32 x 3/16" |
| 13 | 10-433 | Spring Extension |
| 14 | 5070-09054-00 | Diode 1N4001 |
| 15 | 5647-12693-21 | Switch |
| 16 | 4002-01105-06 | Mach. Screw: 2-56 x 3/8" |
| 17 | 4010-01070-24 | Mach. Screw: 10-32 x 1-1/2" |
| 18 | 02-3972-1 | Plunger |
| 19 | 4410-01132-01 | Nut 10-32 ESNA/NTM |
| 20 | 10-135 | Spring |
| 21 | See Below | Cable |
| 22 | 10-544 | Spring |
| 23 | 4408-01119-00 | ESN Nut 8-32 |

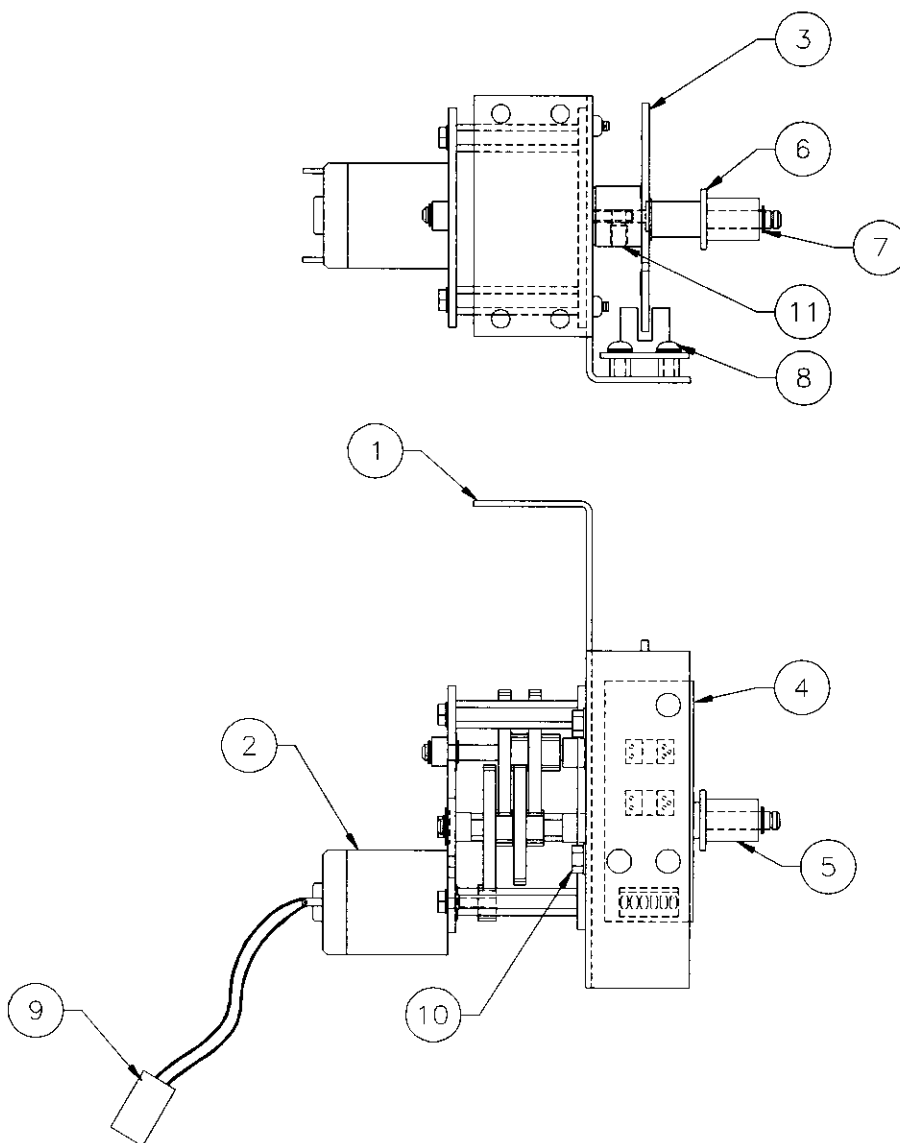
Cables
H-16437 Switch Cable (used in assy. **A-22296-1**)
H-19739 Switch Cable (used in assy. **A-22296-2**)

A-22432 Bad Guy Mech. Assembly

| Item | Part Number | Description | Item | Part Number | Description |
|------|---------------|----------------------------|------|---------------|---------------------------------|
| 1 | 02-5459 | Plunger Rod | 18 | 4010-01186-04 | Set Screw: 10-32 x 1/4" |
| 2 | 01-14971 | Spring Bracket | 19 | 4408-01119-01 | Nut 8-32 ESNA/ntm |
| 3 | 04-10910-1 | Coil Stop Bracket | 20 | 03-7568 | Flipper Bushing |
| 4 | 04-11199 | Base Bracket/Bad Guy Assy. | 21 | 10-320 | Eject Spring (Red) |
| 5 | 01-14972 | Coil Bracket | 22 | 4004-01003-05 | Mach. Screw: #4-40 x 5/16" |
| 6 | 04-11198 | Horizontal Arm | 23 | 4700-00004-00 | Flat Washer: 5/32 x 3/8 x 21ga. |
| 7 | 02-5464 | Shaft/Saloon | 24 | 04-10910-4 | Coil Stop Bracket |
| 8 | 04-11209.3 | Vertical Arm | 25 | 03-9454 | Ty-Wrap |
| 9 | 10-541 | Spring | 26 | 4700-00073-00 | Flat Washer: |
| 10 | 20-8712-25 | E-Ring, 3/16" Shaft | 27 | 4008-01003-04 | Mach. Screw: 8-32 x 1/4" P-PH-S |
| 11 | 5647-12693-58 | Sub Mini Micro Switch | 28 | 01-14616 | Coil Bracket |
| 12 | 4002-01105-07 | Mach. Screw: 2-56 x .44" | 29 | 5070-09054-00 | Diode 1N4004 |
| 13 | AE-26-1500 | Coil Sub-Assembly | 30 | 01-8240 | Nut Plate |
| 14 | 04-10291 | Armature & Extension Assy. | 31 | 07-6688-20N | Rivet |
| 15 | 10-135 | Spring Plunger | 32 | 03-7066 | Coil Tubing |
| 16 | 23-6420 | Rubber Grommet | 33 | 03-7067-5 | Coil Tubing |
| 17 | 03-7973 | Nylon Spacer | 34 | H-21778-14 | Switch Cable |
| | | | 35 | 31-3231.1 | Head |
| | | | 36 | 02-5457 | Shaft |
| | | | 37 | 20-8712-18 | E-Ring |
| | | | 38 | 04-11210.1 | Hat |
| | | | 39 | RM-23-01 | Heat Shrink Tubing 1/8" Poly. |
| | | | 40 | 01-14983.1 | Bad Guy Shelf Bracket |
| | | | 41 | H-22460 | Saloon Cowboy Cable |
| | | | 42 | 4008-01079-09 | CS 6-32 x 9/16" S.H. |
| | | | 43 | 02-5470 | Stop Spacer |
| | | | 44 | 01-15155 | Bad Guy Assembly Bracket Stop |
| | | | 45 | 4008-01227-06 | Mach. Screw 8-32 x 3/8 |

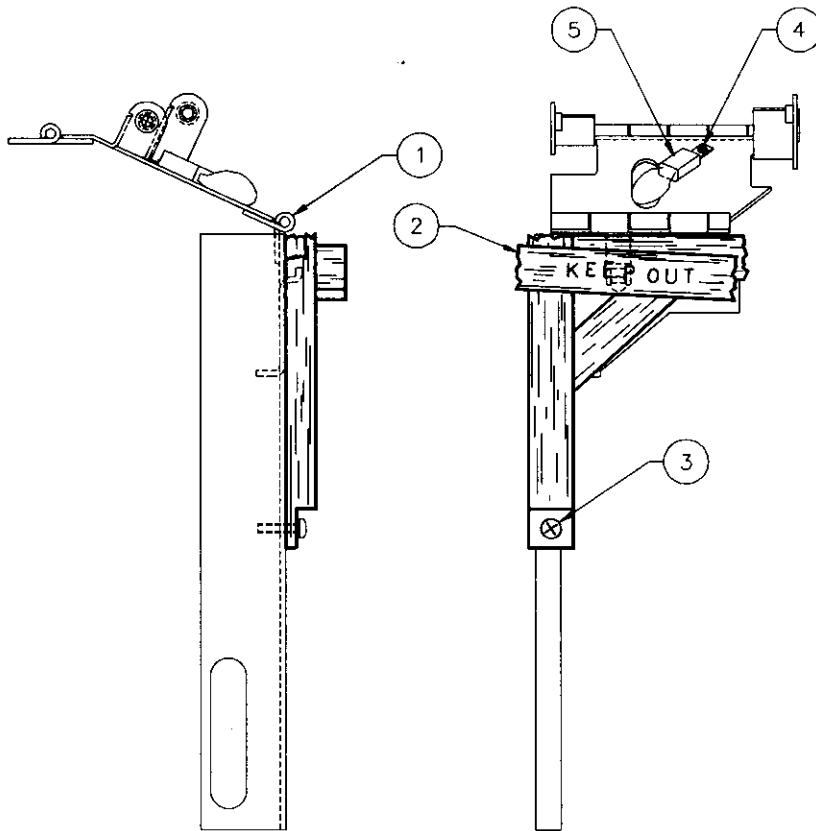


A-22255 Mine Assembly



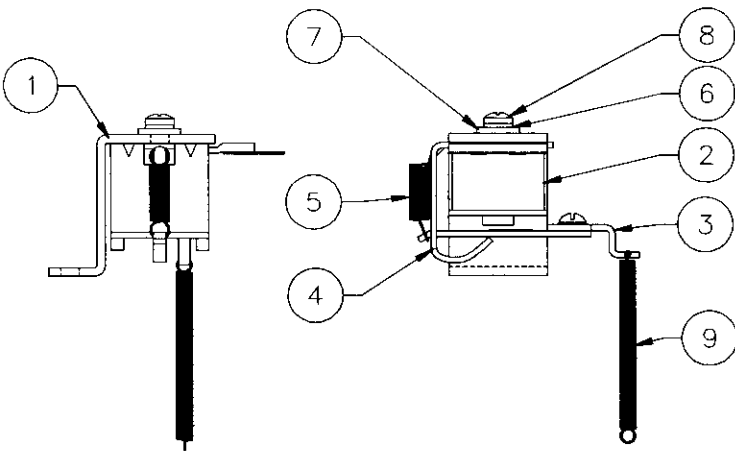
| Item | Part Number | Description |
|------|---------------|----------------------------------|
| 1 | 04-11146 | Motor Bracket |
| 2 | A-22404 | Motor & Gear Box Assembly |
| 3 | 04-11148 | Cam |
| 4 | A-22443 | Mine Dual Opto PCB Assy. |
| 5 | 03-9849 | Mine Assembly Collar |
| 6 | 4700-00023-00 | Flat Washer: 13/64 x 5/8 x 16ga. |
| 7 | 20-8712-18 | E-Ring |
| 8 | 4004-01003-05 | Mach. Screw: 4-40 x 5/16" |
| 9 | H-18600-8 | Cable |
| 10 | 4008-01227-06 | 8-32 x 3/8" |
| 11 | 4008-01083-04 | Set Screw: 8-32 x 1/4" |

A-22466 Mine Door Assembly



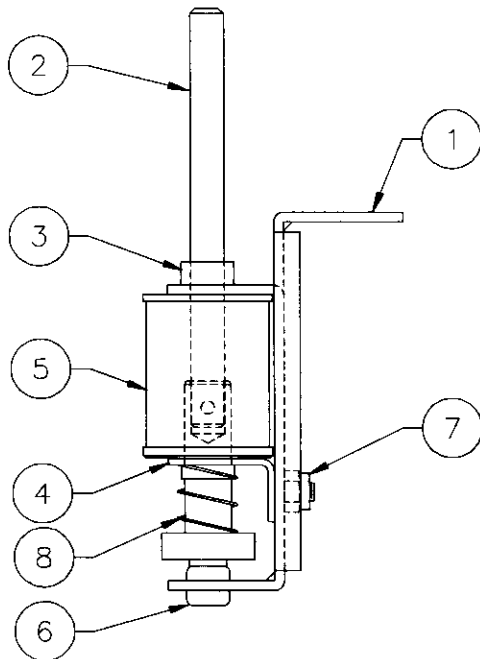
| Item | Part Number | Description |
|------|---------------|--------------------------------|
| 1 | 04-11147.4 | Mine Entrance |
| 2 | 31-3110.2 | Keep Out Sign |
| 3 | 4006-01017-06 | Mach. Screw: 6-32 x 3/8" |
| 4 | 4006-01017-04 | Mach. Screw: 6-32 x .25 P-PH-S |
| 5 | 04-12478-12 | Flasher & Cable Assembly 3-Pin |

A-22482 Ball Gate Actuator Assembly



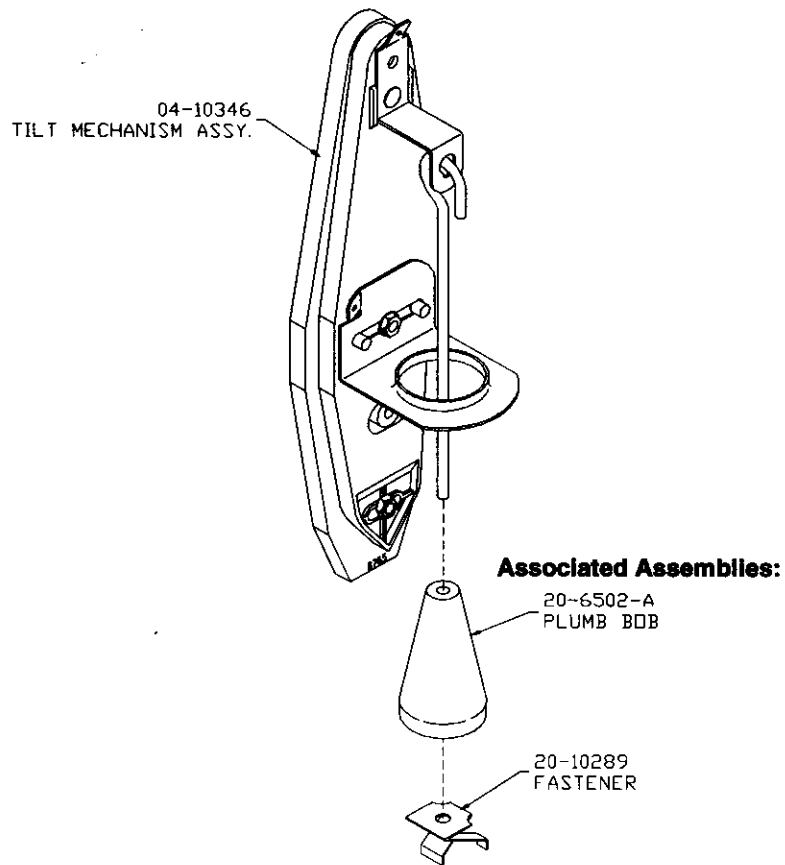
| Item | Part Number | Description |
|------|---------------|-----------------------------------|
| 1 | 01-14123 | Coil Bracket |
| 2 | A-14406 | Coil Assembly |
| 3 | A-20968 | Ball Gate Armature Assy. |
| 4 | A-6892 | Frame & Eyelet |
| 5 | 10-120 | Spring |
| 6 | 4701-00003-00 | Lock Washer #8 Split |
| 7 | 4700-00089-00 | Flat Washer: 11/64 x 7/16 x 16ga. |
| 8 | 4008-01021-07 | Mach. Screw: 8-32 x 7/16" |
| 9 | 10-194 | Extension Spring |

A-22465 Up/Down Post Assembly

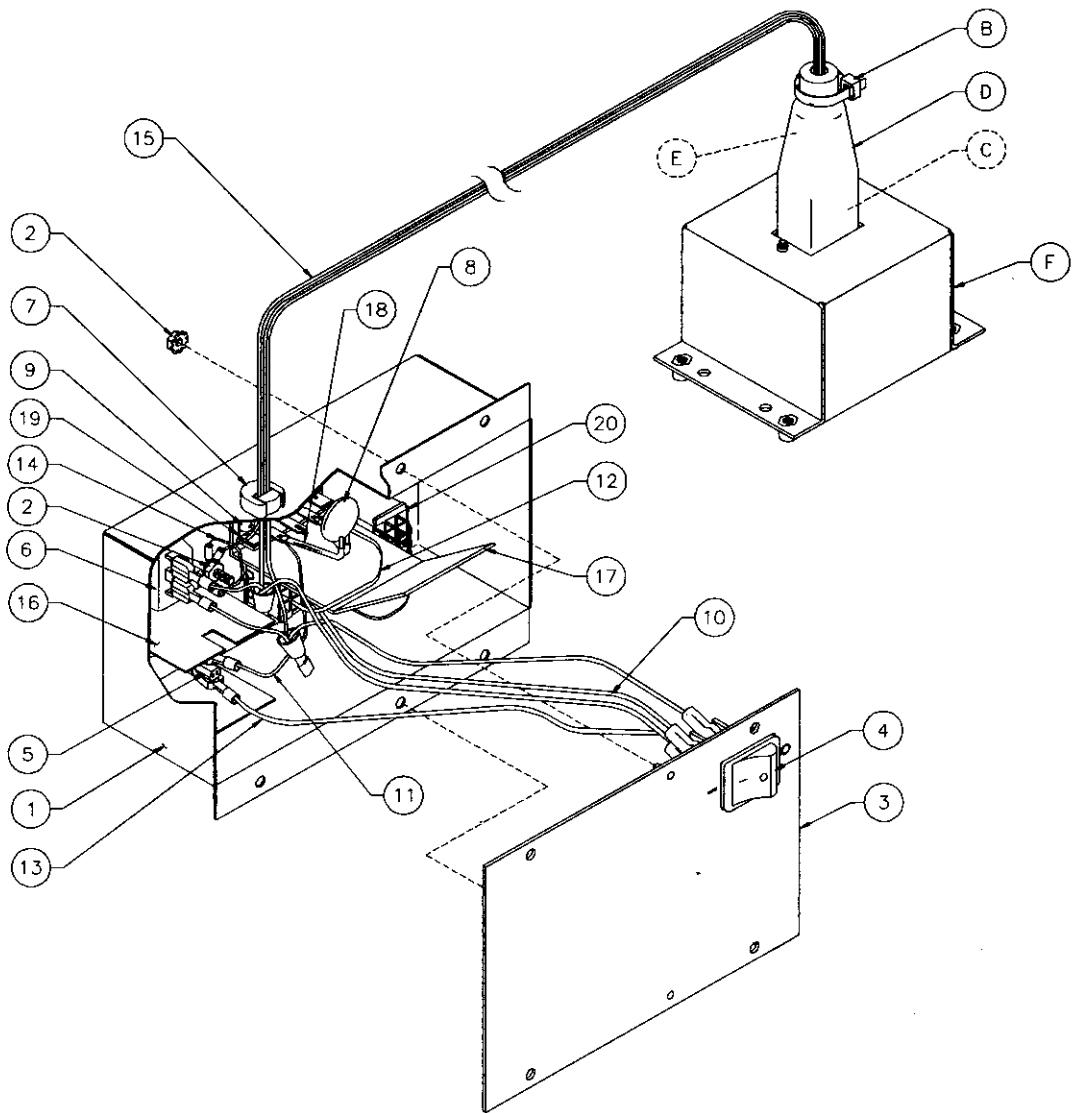


| Item | Part Number | Description |
|------|---------------|----------------------------|
| 1 | 01-15122 | Up/Down Post Assembly |
| 2 | A-17986 | Up/Down Post Plunger |
| 3 | 03-7067-5 | Coil tubing |
| 4 | 04-10910-1 | 5/8 Coil Centering Bracket |
| 5 | AE-26-1500 | Coil Sub-Assembly |
| 6 | 23-6420 | Rubber Grommet |
| 7 | 4408-01119-01 | Nut 8-32 ESN |
| 8 | 10-135 | Spring |

04-10346 Tilt Mechanism Assembly



A-20871 Power Interface Assembly



| Item | Part Number | Description | Item | Part Number | Description |
|------|----------------------|----------------------------------|------|----------------------|--------------------------------|
| A | A-20872 | Power Control Chassis Assembly | 14) | H-17542 | Ground Jumper Grn/Yel Cable |
| 1) | 04-10292 | Power Control Chassis Box | 15) | 5797-13940-02 | Jumper Cable |
| 2) | 4406-01128-00 | Nut #6-32 KEPS (3) | 16) | 01-10623 | Insulator, Thermistor |
| 3) | 01-12294 | Switch Mounting Plate Assembly | 17) | 01-12299 | Insulator, Terminal Strip |
| 4) | 5642-13935-00 | Power Switch | 18) | RM-21-06 | #18 Vinyl Fgls |
| 5) | 5733-14734-00 | Fuse Holder Panel (5x20mm) | 19) | 5822-13865-00 | Terminal Strip 3-CKT 2-Mtg. |
| 6) | 5851-13867-00 | Outlet-IEC Conn. 237 Socket | 20) | H-18050 | Jumper Cable, Transformer Prog |
| 7) | 03-8712 | Strain Relief Bushing | B | 03-7933 | Ty-Wrap Nylon |
| 8) | 5016-12978-00 | Thermistor 8A., 2.5R25 | C | 5045-14007-00 | Capacitor, 1 μ F 275v |
| 9) | 4006-01003-10 | Mach. Screw, #6-32 x 5/8" | D | 23-6776-4 | Heat Shrink |
| 10) | H-17992 | Jumper Cable Neutral Sw/1FC | E | RM-21-06 | #18 Vinyl Sleeving |
| 11) | H-17543 | Hot Jumper Black Cable | F | A-20873 | Line Filter Entry Chassis |
| 12) | H-17546 | Jumper Interface Hot Black Cable | | | |
| 13) | H-17545 | Jumper Switch/Fuse Black Cable | | | |

Upper Playfield Parts

| Item # | Part Number | Description |
|--------|-----------------------------------------------------------------------------|-----------------------------------------------------------------------------------------------------------------|
| 1 | A-14876-R 20-10110-5 | Right Flipper Assembly Flipper Bat w/ Shaft |
| 2 | A-22465 AE-26-1500 | Up/Down Post Assembly Coil |
| 3 | 31-3224 | Screened Flipper Guide |
| 4 | A-17811 A-17801 A-22206-2 | Slingshot Assembly Switch Assembly Coil Assembly |
| 5 | 12-7423-1 | Ball Guide |
| 6 | A-20499-12 | Standup Target |
| 7 | A-22296-2 5647-12693-21 AE-26-1500 | Right Drop Target Switch Coil |
| 8 | A-22296-1 5647-12693-21 AE-26-1500 | Right Center Drop Target Switch Coil |
| 9 | A-22285 A-14265-13 24-8802 5647-12693-21 | Skill Shot Ramp Assy Receptacle & Skirt Bulb Switch |
| 10 | 12-7431 | Wire Ramp |
| 11 | A-22727 12-7443 5647-12693-11 | Saloon Switch Gate Wire Ball Gate Switch |
| 12 | A-22258 | Opto Assembly |
| 13 | A-22289 A-22431 A-14265-13 24-8802 A-23028-4 | Center Ramp Switch Gate Assembly Receptacle & Skirt Bulb Switch Assembly |
| 14 | A-22432 AE-26-1500 5647-12693-58 04-11210.1 31-3231.1 | Bart Assembly Coil (2) Switch Bad Guy Hat Bad Guy |
| 15 | A-22288 A-23028-2 20-10293 | Right Ramp Switch Assembly Reed Switch |
| 16 | A-22482 A-14406 A-17797-2 | Right Gate Actuator Coil Ball Gate Special |
| 17 | A-22482 A-14406 A-17797-2 | Left Gate Actuator Coil Ball Gate Special |
| 18 | A-22205-2 B-12030-2 B-9414-4 | Jet Bumper Coil Assy Leaf Switch Assembly Jet Bumper Assembly |
| 19 | A-22205-2 B-12030-2 B-9414-4 | Jet Bumper Coil Assy Leaf Switch Assembly Jet Bumper Assembly |
| 20 | A-17811 A-23146 A-22206-2 | Slingshot Assembly Switch Assembly Coil Assembly |
| 21 | A-22255 A-22404 14-8015 A-22443 A-22466 31-3110.2 A-22467 | Mine Assembly Motor & Gear Box Assy Motor Dual Opto Board Mine Door Keep Out Sign Mine Popper |
| 22 | A-22258 | Opto Assembly |
| 23 | A-20783-7 | Pop Target |

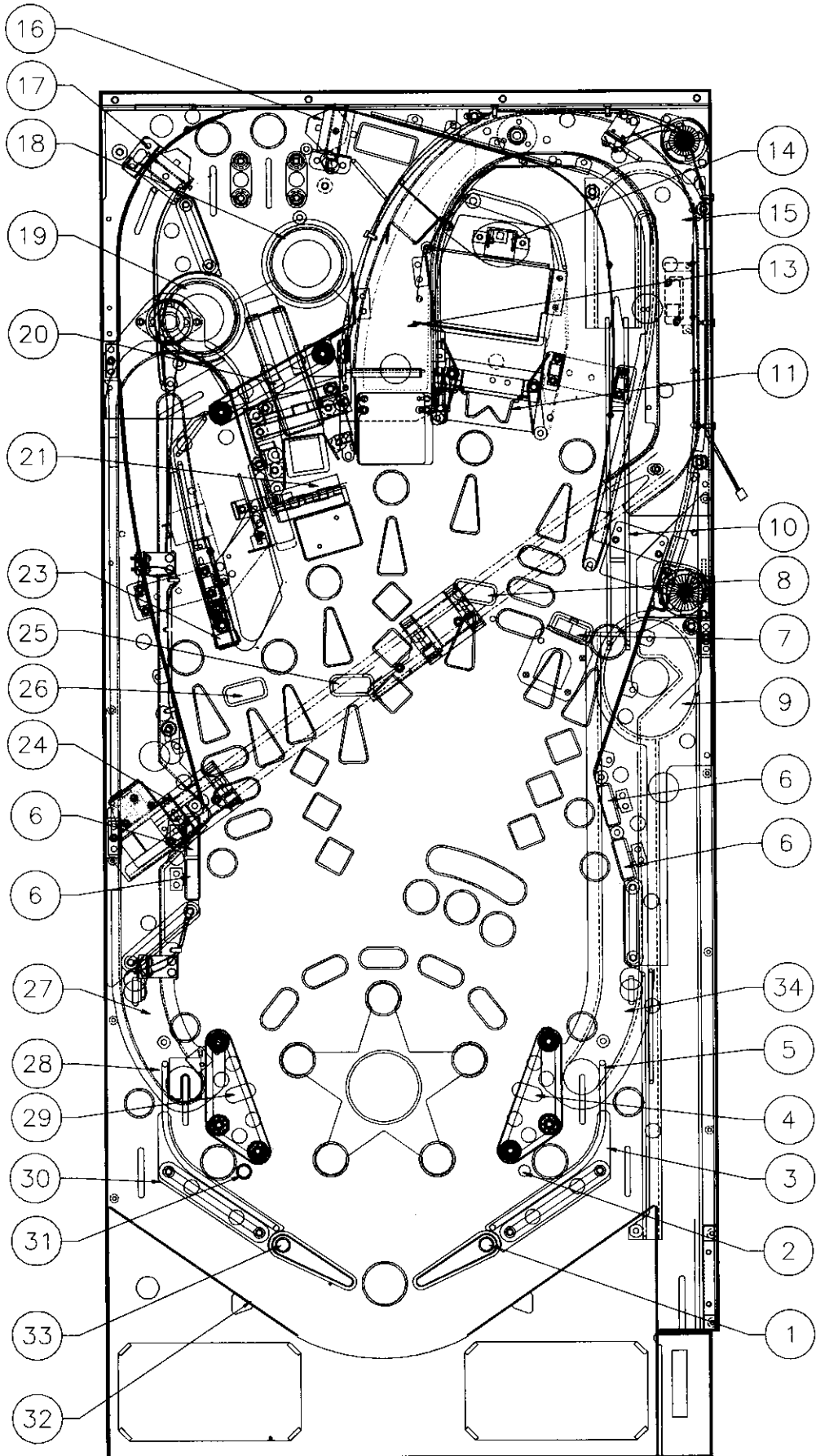
| Item # | Part Number | Description |
|--------|------------------------------------------------------------------------------------------------|-----------------------------------------------------------------------------------------------------------------------------|
| 24 | A-22271 A-22272 A-22407 02-5460 04-11223.1 14-8015 20-10570 5647-12693-66 | Train Assembly Train Car Schmitt Opto Interrupt Opto Wheel Shaft Rail Motor Cord Switch |
| 25 | A-22296-2 5647-12693-21 AE-26-1500 | Left Center Drop Target Switch Coil |
| 26 | A-22296-1 5647-12693-21 AE-26-1500 | Left Drop Target Switch Coil |
| 27 | A-22287 A-14265-13 24-8802 A-23028-3 | Left Ramp Receptacle & Skirt Bulb Switch Assembly |
| 28 | 12-7423-2 | Ball Guide |
| 29 | A-17811 A-17801 A-22207-2 | Slingshot Assembly Switch Assembly Coil Assembly |
| 30 | 31-3224 | Screened Flipper Guide |
| 31 | A-22465 AE-26-1500 | Up/Down Post Assembly Coil |
| 32 | A-13204-50066 03-9857-1 03-9857-2 03-9858-1 03-9858-2 04-11221-12 31-3220 | Bottom Arch Right Gun Left Gun Right Gun Handle Left Gun Handle Flasher & Cable Assy Screened Bottom Arch |
| 33 | A-15849-L 20-10110-5 | Left Flipper Assembly Flipper Bat w/ Shaft |
| 34 | A-22286 A-23028-4 | J Ramp Switch Assembly |

Not Shown:

| | |
|------------|---------------------|
| A-22301 | Back Panel Assembly |
| A-17826 | Socket & Bulb (7) |
| 01-14613 | Backboard Brace |
| 01-14959 | Playfield Brace |
| 04-10254 | Socket & Bulb (2) |
| A-22435 | Saloon Popper |
| A-16908 | LED Board |
| A-16909 | Photo Trans. Board |
| AE-26-1500 | Coil |
| 03-8633 | Level Mount |
| 04-12491 | Beer Mug |
| 31-3109.2 | Mountain |

*The *CACTUS CANYON* hardcoat playfield does not require a full Mylar. However, Mylars can be purchased through your local WILLIAMS Distributor.

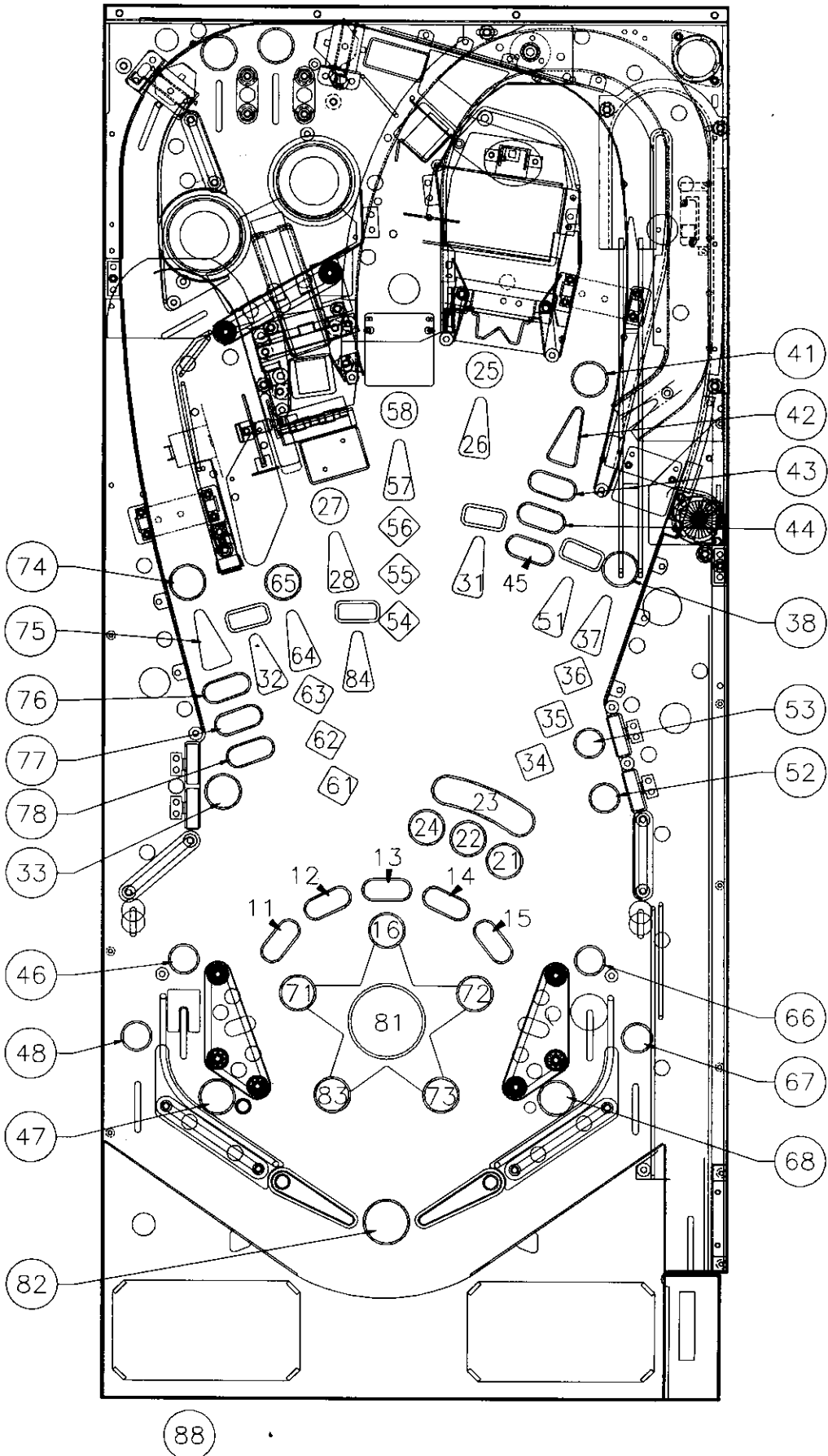
Upper Playfield Part



Lamp Locations

| Item Number | Lamp Assembly Part Number | Bulb Type | Bulb Part Number | Socket Part Number | Description |
|-------------|---------------------------|-------------------|-------------------|--------------------|------------------------------|
| 11 | 04-12351 | #555 | 24-8768 | 24-8767 | RANK: STRANGER |
| 12 | 04-12351 | #555 | 24-8768 | 24-8767 | RANK: PARTNER |
| 13 | 04-12351 | #555 | 24-8768 | 24-8767 | RANK: DEPUTY |
| 14 | 04-12351 | #555 | 24-8768 | 24-8767 | RANK: SHERIFF |
| 15 | 04-12351 | #555 | 24-8768 | 24-8767 | RANK: MARSHALL |
| 16 | 04-12351 | #555 | 24-8768 | 24-8767 | STAR: MOTHER LODE |
| 17 | 04-10254 | #44 | 24-6549 | Not Sold Separate | LEFT BONUS 'X' LANE |
| 18 | 04-10254 | #44 | 24-6549 | Not Sold Separate | RIGHT BONUS 'X' LANE |
| 21 | 04-12353 | #555 | 24-8768 | 24-8767 | BOUNTY BEACON |
| 22 | 04-12353 | #555 | 24-8768 | 24-8767 | JACKPOT BEACON |
| 23 | 04-12353 | #555 | 24-8768 | 24-8767 | SHOOT TO COLLECT |
| 24 | 04-12353 | #555 | 24-8768 | 24-8767 | EXTRA BALL LIT BEACON |
| 25 | A-17835 | #44 | 24-6549 | Not Sold Separate | BOUNTY (SALOON) |
| 26 | A-17835 | #44 | 24-6549 | Not Sold Separate | SALOON ARROW |
| 27 | A-17835 | #44 | 24-6549 | Not Sold Separate | EXTRA BALL |
| 28 | A-17807 | #44 | 24-6549 | Not Sold Separate | MINE LOCK |
| 31 | A-17807 | #44 | 24-6549 | Not Sold Separate | RIGHT CENTER DROP: BAD GUY 3 |
| 32 | A-17807 | #44 | 24-6549 | Not Sold Separate | LEFT DROP: BAD GUY 1 |
| 33 | A-17835 | #44 | 24-6549 | Not Sold Separate | LEFT STANDUP |
| 34 | 04-12354 | #555 | 24-8768 | 24-8767 | RIGHT RAMP: SOUND ALARM |
| 35 | 04-12354 | #555 | 24-8768 | 24-8767 | RIGHT RAMP: SHOOT OUT |
| 36 | 04-12354 | #555 | 24-8768 | 24-8767 | RIGHT RAMP: SAVE POLLY |
| 37 | 04-12354 | #555 | 24-8768 | 24-8767 | RIGHT RAMP: JACKPOT |
| 38 | 04-12354 | #555 | 24-8768 | 24-8767 | RIGHT RAMP: COMBO |
| 41 | 04-12352 | #555 | 24-8768 | 24-8767 | RIGHT LOOP: COMBO |
| 42 | 04-12352 | #555 | 24-8768 | 24-8767 | RIGHT LOOP: JACKPOT |
| 43 | 04-12352 | #555 | 24-8768 | 24-8767 | RIGHT LOOP: MARKSMAN |
| 44 | 04-12352 | #555 | 24-8768 | 24-8767 | RIGHT LOOP: GUNSLINGER |
| 45 | 04-12352 | #555 | 24-8768 | 24-8767 | RIGHT LOOP: GOOD SHOT |
| 46 | A-17835 | #44 | 24-6549 | Not Sold Separate | LEFT RETURN: QUICK DRAW |
| 47 | A-17807 | #44 | 24-6549 | Not Sold Separate | LEFT GUNFIGHT PIN |
| 48 | A-17835 | #44 | 24-6549 | Not Sold Separate | LEFT OUT: GUNFIGHT |
| 51 | A-17807 | #44 | 24-6549 | Not Sold Separate | RIGHT DROP: BAD GUY 4 |
| 52 | A-17835 | #44 | 24-6549 | Not Sold Separate | BOTTOM RIGHT STANDUP |
| 53 | A-17835 | #44 | 24-6549 | Not Sold Separate | TOP RIGHT STANDUP |
| 54 | 04-12354 | #555 | 24-8768 | 24-8767 | CENTER RAMP: CATCH TRAIN |
| 55 | 04-12354 | #555 | 24-8768 | 24-8767 | CENTER RAMP: STOP TRAIN |
| 56 | 04-12354 | #555 | 24-8768 | 24-8767 | CENTER RAMP: SAVE POLLY |
| 57 | 04-12354 | #555 | 24-8768 | 24-8767 | CENTER RAMP: JACKPOT |
| 58 | 04-12354 | #555 | 24-8768 | 24-8767 | CENTER RAMP: COMBO |
| 61 | 04-12354 | #555 | 24-8768 | 24-8767 | LEFT RAMP: WHITEWATER |
| 62 | 04-12354 | #555 | 24-8768 | 24-8767 | LEFT RAMP: WATERFALL |
| 63 | 04-12354 | #555 | 24-8768 | 24-8767 | LEFT RAMP: SAVE POLLY |
| 64 | 04-12354 | #555 | 24-8768 | 24-8767 | LEFT RAMP: JACKPOT |
| 65 | 04-12354 | #555 | 24-8768 | 24-8767 | LEFT RAMP: COMBO |
| 66 | A-17835 | #44 | 24-6549 | Not Sold Separate | RIGHT RETURN: QUICK DRAW |
| 67 | A-17807 | #44 | 24-6549 | Not Sold Separate | RIGHT OUT: SPECIAL |
| 68 | A-17807 | #44 | 24-6549 | Not Sold Separate | RIGHT GUNFIGHT PIN |
| 71 | A-17807 | #44 | 24-6549 | Not Sold Separate | STAR: STAMPEDE |
| 72 | A-17807 | #44 | 24-6549 | Not Sold Separate | STAR: COMBO |
| 73 | A-17835 | #44 | 24-6549 | Not Sold Separate | STAR: HIGH NOON |
| 74 | 04-12352 | #555 | 24-8768 | 24-8767 | LEFT LOOP: COMBO |
| 75 | 04-12352 | #555 | 24-8768 | 24-8767 | LEFT LOOP: JACKPOT |
| 76 | 04-12352 | #555 | 24-8768 | 24-8767 | LEFT LOOP: RIDE 'EM |
| 77 | 04-12352 | #555 | 24-8768 | 24-8767 | LEFT LOOP: WILD RIDE |
| 78 | 04-12352 | #555 | 24-8768 | 24-8767 | LEFT LOOP: BUCK'N BRONCO |
| 81 | A-17807 | #44 | 24-6549 | Not Sold Separate | STAR: BART BROTHERS |
| 82 | A-17807 | #44 | 24-6549 | Not Sold Separate | SHOOT AGAIN |
| 83 | A-17835 | #44 | 24-6549 | Not Sold Separate | STAR: SHOWDOWN |
| 84 | A-17807 | #44 | 24-6549 | Not Sold Separate | LEFT CENTER DROP: BAD GUY 2 |
| 85 | ---- | ---- | ---- | ---- | NOT USED |
| 86 | ---- | ---- | ---- | ---- | NOT USED |
| 87 | --- | ---- | ---- | ---- | NOT USED |
| 88 | 20-9663-16 | Not Sold Separate | Not Sold Separate | Not Sold Separate | START BUTTON |

Lamp Locations



Solenoid/Flasher Locations

| Item Number | Assembly Part Number | Coil or Flasher Part Number | Description |
|-------------|----------------------|-----------------------------|-----------------------------------|
| 01 | A-21022-1 | AE-23-800 | AUTOPLUNGER |
| 02 | A-22296-1 | AE-26-1500 | LEFT DROP TARGET |
| 03 | A-22296-2 | AE-26-1500 | LEFT CENTER DROP TARGET |
| 04 | A-22296-1 | AE-26-1500 | RIGHT CENTER DROP TARGET |
| 05 | A-22296-2 | AE-26-1500 | RIGHT DROP TARGET |
| 06 | A-22467 | AE-24-900 | MINE POPPER |
| 07 | ---- | ---- | NOT USED |
| 08 | A-22435 | AE-26-1500 | SALOON POPPER |
| 09 | A-19963 | AE-26-1500 | TROUGH EJECT |
| 10 | A-22207-2 | AE-26-1200 | LEFT SLINGSHOT |
| 11 | A-22206-2 | AE-26-1200 | RIGHT SLINGSHOT |
| 12 | A-22205-2 | AE-26-1200 | LEFT JET BUMPER |
| 13 | A-22205-2 | AE-26-1200 | RIGHT JET BUMPER |
| 14 | A-22465 | AE-26-1500 | LEFT GUNFIGHT POST |
| 15 | A-22465 | AE-26-1500 | RIGHT GUNFIGHT POST |
| 16 | A-22206-2 | AE-26-1200 | BOTTOM JET BUMPER |
| 17 | A-22404 | 14-8015 | MINE MOTOR |
| 18 | 04-12478-12 | 24-8802 | MINE FLASHER |
| 19 | 04-11221-12 | 24-8802 | FRONT LEFT FLASHER |
| 20 | 04-11221-12 | 24-8802 | FRONT RIGHT FLASHER |
| 21 | A-22482 | A-14406 | LEFT LOOP GATE |
| 22 | A-22482 | A-14406 | RIGHT LOOP GATE |
| 23 | ---- | ---- | NOT USED |
| 24 | A-17802 | 24-8802 | BEACON FLASHER – PLAYFIELD |
| 24 | ---- | 24-8802 | BEACON FLASHER – INSERT PANEL |
| 25 | ---- | 24-8802 | MIDDLE RIGHT FLASHER |
| 26 | ---- | 24-8802 | SALOON FLASHER – PLAYFIELD |
| 26 | ---- | 24-8802 | SALOON FLASHER – INSERT PANEL |
| 27 | ---- | 24-8802 | BACK RIGHT FLASHER – PLAYFIELD |
| 27 | ---- | 24-8802 | BACK RIGHT FLASHER – INSERT PANEL |
| 28 | ---- | 24-8802 | BACK LEFT FLASHER – PLAYFIELD |
| 28 | ---- | 24-8802 | BACK LEFT FLASHER – INSERT PANEL |

Flippers

| Item | Assembly Part Number | Coil Part Number | Description |
|-------|----------------------|------------------|---------------------|
| 29-30 | A-14876-R | FL-11630 | LOWER RIGHT FLIPPER |
| 31-32 | A-15849-L | FL-11630 | LOWER LEFT FLIPPER |
| 33 | A-22432 | AE-26-1500 | MOVE BART TOY |
| 34 | ---- | ---- | NOT USED |
| 35 | ---- | ---- | NOT USED |
| 36 | A-22432 | AE-26-1500 | BART TOY HAT |

Train Motor Circuits

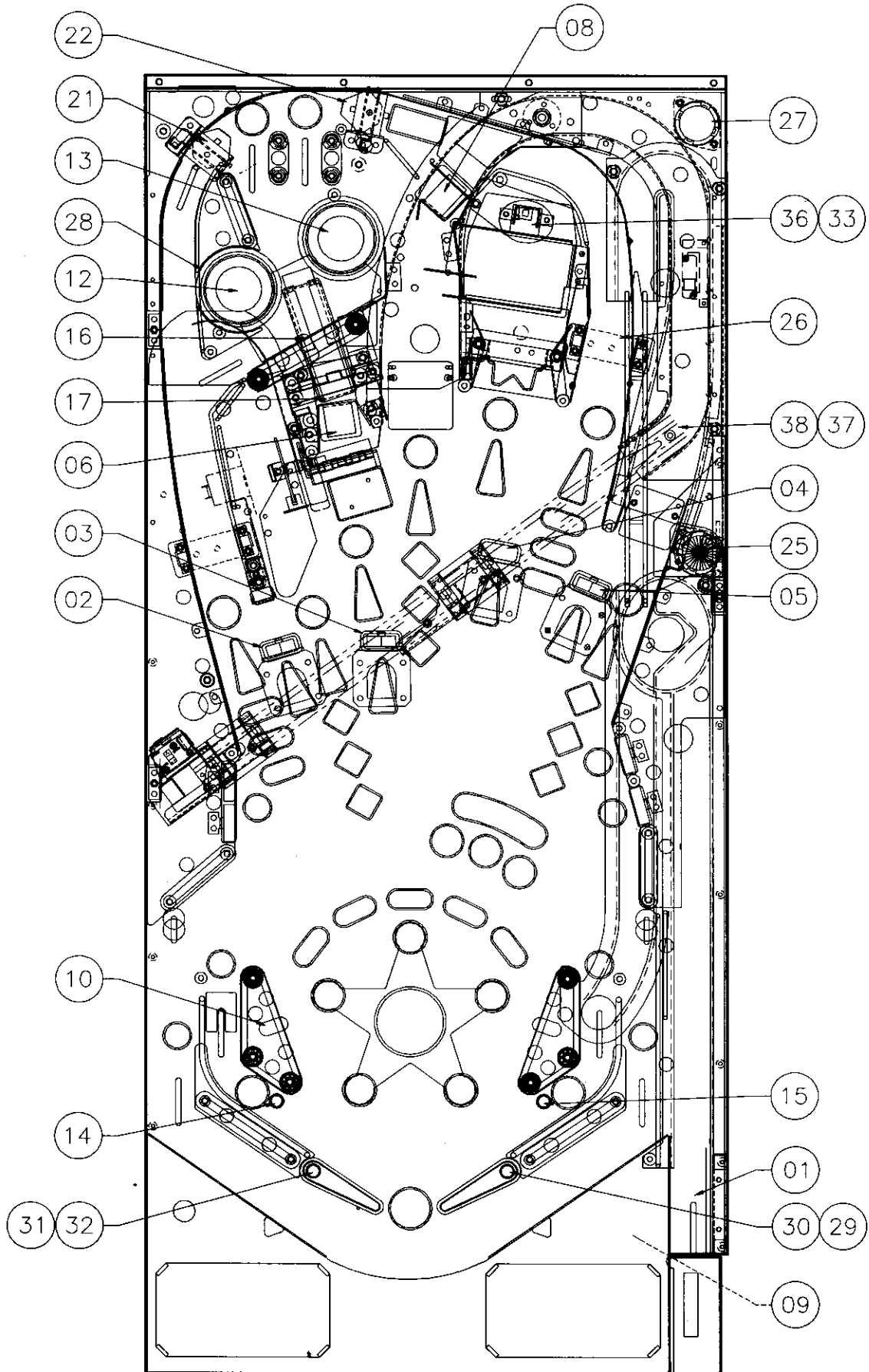
| Item | Assembly Part Number | Motor Number | Description |
|------|----------------------|--------------|---------------|
| 37 | A-22271 | 14-8015 | TRAIN REVERSE |
| 38 | | | TRAIN FORWARD |

General Illumination

| Item | Bulb Part Number | Bulb Type | Description |
|------|------------------|-----------|-----------------------|
| 01 | 24-6549 | #44 | ILLUMINATION STRING 1 |
| 02 | 24-6549 | #44 | ILLUMINATION STRING 2 |
| 03 | 24-6549 | #44 | ILLUMINATION STRING 3 |
| 04 | 24-8768 | #555 | ILLUMINATION STRING 4 |
| 05 | 24-8768 | #555 | ALL ILLUMINATION |

| | |
|--------------------|---------------------|
| 24-6549 = #44 bulb | 24-8768 = #555 bulb |
| 24-8704 = #89 bulb | 24-8802 = #906 bulb |

Solenoid/Flasher Locations



Switch Locations

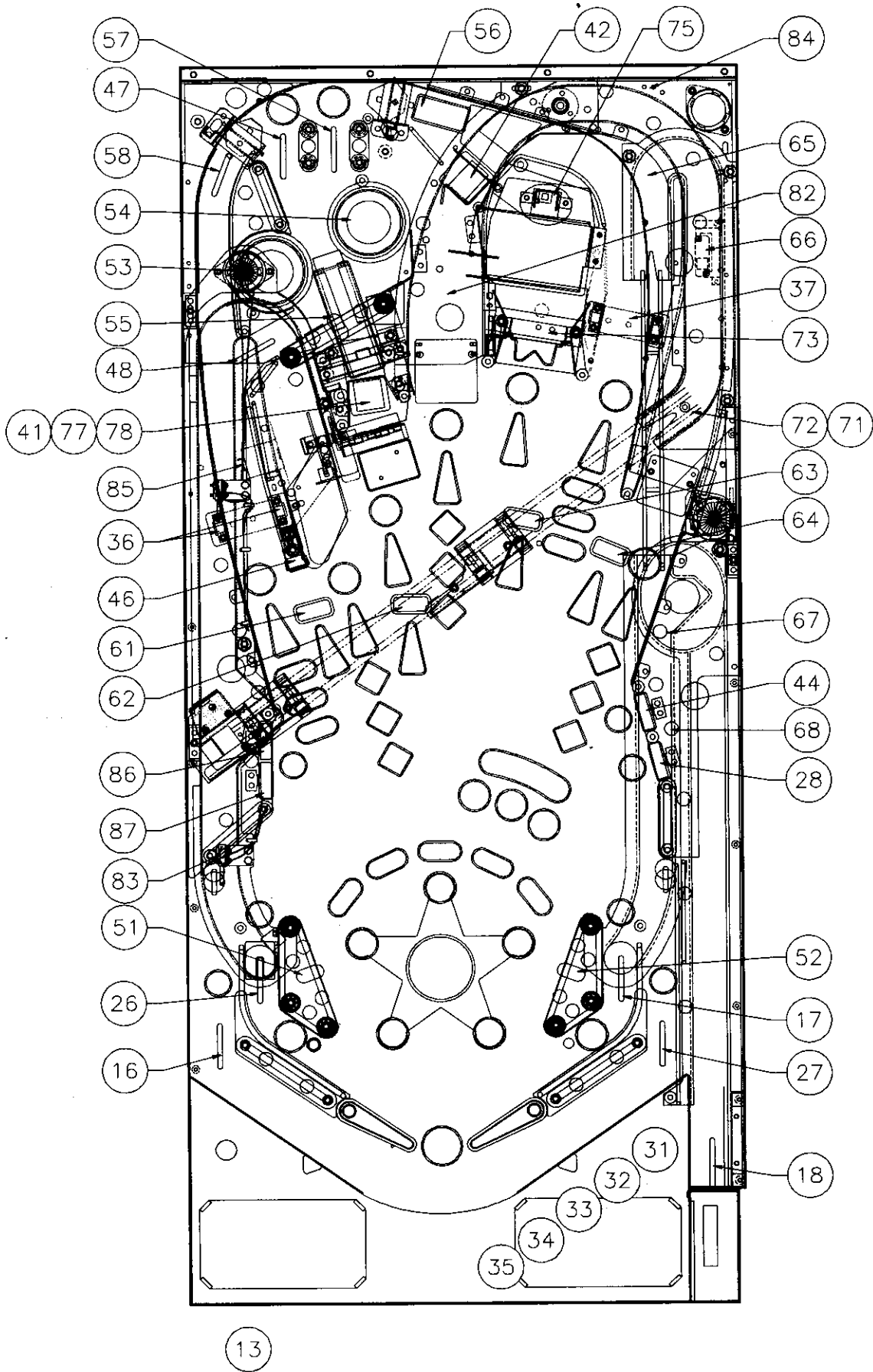
| Item Number | Switch Assembly Part Number <u>OR</u> Opto Assembly Part Number | Switch Part Number | Description |
|-------------|--------------------------------------------------------------------|-------------------------------------|------------------------------|
| F1 | ---- | SW-1A-194 | *LOWER RIGHT FLIPPER E.O.S. |
| F2 | A-17316 | ---- | *LOWER RIGHT FLIPPER CABINET |
| F3 | ---- | SW-1A-194 | *LOWER LEFT FLIPPER E.O.S. |
| F4 | A-17316 | ---- | *LOWER LEFT FLIPPER CABINET |
| F5 | NOT USED | NOT USED | UPPER RIGHT FLIPPER E.O.S. |
| F6 | NOT USED | NOT USED | UPPER RIGHT FLIPPER CABINET |
| F7 | NOT USED | NOT USED | UPPER LEFT FLIPPER E.O.S. |
| F8 | NOT USED | NOT USED | UPPER LEFT FLIPPER CABINET |
| 11 | NOT USED | NOT USED | NOT USED |
| 12 | NOT USED | NOT USED | NOT USED |
| 13 | 20-9663-16 | ---- | START BUTTON |
| 14 | ---- | 04-10346 | *PLUMB BOB TILT |
| 15 | ---- | 20-10293 (2) | MINE ENTRANCE |
| 16 | A-17813 | 5647-12693-19 | LEFT OUTLANE |
| 17 | A-17813 | 5647-12693-19 | RIGHT RETURN LANE |
| 18 | ---- | 5647-12693-68 | SHOOTER LANE |
| 21 | A-17238 | ---- | *SLAM TILT |
| 22 | ---- | 5643-09268-00 | *COIN DOOR CLOSED |
| 23 | NOT USED | NOT USED | NOT USED |
| 24 | ---- | 5643-15190-00 | *ALWAYS CLOSED |
| 25 | NOT USED | NOT USED | NOT USED |
| 26 | A-17813 | 5647-12693-19 | LEFT RETURN LANE |
| 27 | A-17813 | 5647-12693-19 | RIGHT OUTLANE |
| 28 | A-20499-12 | ---- | BOTTOM RIGHT STANDUP |
| 31 | A-18617-1 (LED) A-18618-1 (PHOTO TRANS) | ---- | TROUGH ELECT |
| 32 | A-18617-1 (LED) A-18618-1 (PHOTO TRANS) | ---- | TROUGH BALL 1 |
| 33 | A-18617-1 (LED) A-18618-1 (PHOTO TRANS) | ---- | TROUGH BALL 2 |
| 34 | A-18617-1 (LED) A-18618-1 (PHOTO TRANS) | ---- | TROUGH BALL 3 |
| 35 | A-18617-1 (LED) A-18618-1 (PHOTO TRANS) | ---- | TROUGH BALL 4 |
| 36 | A-16908 (LED) A-16909 (PHOTO TRANS) | ---- | LEFT LOOP BOTTOM |
| 37 | A-16908 (LED) A-16909 (PHOTO TRANS) | ---- | RIGHT LOOP BOTTOM |
| 38 | NOT USED | NOT USED | NOT USED |
| 41 | A-16908 (LED) A-16909 (PHOTO TRANS) | ---- | MINE POPPER |
| 42 | A-16908 (LED) A-16909 (PHOTO TRANS) | ---- | SALOON POPPER |
| 43 | NOT USED | NOT USED | NOT USED |
| 44 | A-20499-12 | ---- | TOP RIGHT STANDUP |
| 45 | NOT USED | NOT USED | NOT USED |
| 46 | A-20783-7 | ---- | BEER MUG SWITCH |
| 47 | A-17813 | 5647-12693-19 | LEFT BONUS 'X' LANE |
| 48 | A-17813-1 | 5647-12693-19 | JET EXIT |
| 51 | A-17801 | A-17800 (KICK) A-17794 (SCORE)** | LEFT SLINGSHOT |
| 52 | A-17801 | A-17800 (KICK) A-17794 (SCORE)** | RIGHT SLINGSHOT |
| 53 | B-12030-2 | A-16443 | LEFT JET BUMPER |
| 54 | B-12030-2 | A-16443 | RIGHT JET BUMPER |
| 55 | A-23146 | A-17800 (KICK) A-20979 (SCORE)** | BOTTOM JET BUMPER |
| 56 | ---- | 20-10293 | RIGHT LOOP TOP |
| 57 | A-17813 | 5647-12693-19 | RIGHT BONUS 'X' LANE |
| 58 | A-17813 | 5647-12693-19 | LEFT LOOP TOP |
| 61 | A-22296-1 | 5647-12693-21 | DROP #1 LEFT |
| 62 | A-22296-2 | 5647-12693-21 | DROP #2 LEFT CENTER |
| 63 | A-22296-1 | 5647-12693-21 | DROP #3 RIGHT CENTER |
| 64 | A-22296-2 | 5647-12693-21 | DROP #4 RIGHT |
| 65 | A-23028-2 | 5647-12693-21 | RIGHT RAMP MAKE |

*NOT SHOWN. **SCORE SWITCHES HAVE DIODES ATTACHED.

Switch Locations

| Item Number | Switch Assembly Part Number <i>OR</i> Opto Assembly Part Number | Switch Part Number | Description |
|-------------|--------------------------------------------------------------------|--------------------|---------------------|
| 66 | ----- | 20-10293 | RIGHT RAMP ENTER |
| 67 | ----- | 5647-12693-21 | SKILL BOWL |
| 68 | A-23028-4 | 5647-12693-21 | BOTTOM RIGHT RAMP |
| 71 | A-22407 | ----- | TRAIN ENCODER |
| 72 | ----- | 5647-12693-66 | TRAIN HOME |
| 73 | ----- | 5647-12693-11 | SALOON GATE |
| 74 | NOT USED | NOT USED | NOT USED |
| 75 | ----- | 5647-12693-58 | SALOON BART TOY |
| 76 | NOT USED | NOT USED | NOT USED |
| 77 | A-22443 | ----- | MINE HOME |
| 78 | A-22443 | ----- | MINE ENCODER |
| 81 | NOT USED | NOT USED | NOT USED |
| 82 | A-22431 | 5647-12693-11 | CENTER RAMP ENTER |
| 83 | A-23028-3 | 5647-12693-21 | LEFT RAMP MAKE |
| 84 | A-23028-4 | 5647-12693-21 | CENTER RAMP MAKE |
| 85 | A-23028-3 | 5647-12693-21 | LEFT RAMP ENTER |
| 86 | A-20499-12 | ----- | TOP LEFT STANDUP |
| 87 | A-20499-12 | ----- | BOTTOM LEFT STANDUP |
| 88 | NOT USED | NOT USED | NOT USED |

Switch Locations



LAMP MATRIX

Yellow (B+) 0 Red

| Column Row | 1 Yellow-Brown J121-1 Q96 | 2 Yellow-Red J121-2 Q100 | 3 Yellow-Orange J121-3 Q95 | 4 Yellow-Black J121-4 Q99 | 5 Yellow-Green J121-5 Q94 | 6 Yellow-Blue J121-6 Q98 | 7 Yellow-Violet J121-7 Q93 | 8 Yellow-Gray J121-9 Q97 |
|--------------------------------|------------------------------------|-----------------------------------|---------------------------------------|-------------------------------------|--------------------------------------|--------------------------------------|--------------------------------------|--------------------------------------|
| 1 Red-Brown J125-1 Q104 | RANK: STRANGER 11 | BOUNTY BEACON 21 | R. CENTER DROP: BAD GUY 3 31 | RIGHT LOOP: COMBO 41 | RIGHT DROP: BAD GUY 4 51 | LEFT RAMP: WHITEWATER 61 | STAR: STAMPEDE 71 | STAR: BART BROTHERS 81 |
| 2 Red-Black J125-2 Q108 | RANK: PARTNER 12 | JACKPOT BEACON 22 | LEFT DROP: BAD GUY 1 32 | RIGHT LOOP: JACKPOT 42 | BOTTOM RIGHT STANDUP 52 | LEFT RAMP: WATERFALL 62 | STAR: COMBO 72 | SHOOT AGAIN 82 |
| 3 Red-Orange J125-4 Q103 | RANK: DEPUTY 13 | SHOOT TO COLLECT 23 | LEFT STANDUP 33 | RIGHT LOOP: MARKSMAN 43 | TOP RIGHT STANDUP 53 | LEFT RAMP: SAVE POLLY 63 | STAR: HIGH NOON 73 | STAR: SHOWDOWN 83 |
| 4 Red-Yellow J125-5 Q107 | RANK: SHERIFF 14 | EXTRA BALL LIT BEACON 24 | R. RAMP: SOUND ALARM 34 | RIGHT LOOP: GUNSLINGER 44 | CENTER RAMP: CATCH TRAIN 54 | LEFT RAMP: JACKPOT 64 | LEFT LOOP: COMBO 74 | L CENTER DROP: BAD GUY 2 84 |
| 5 Red-Green J125-6 Q102 | RANK: MARSHALL 15 | BOUNTY (SALOON) 25 | RIGHT RAMP: SHOOT OUT 35 | RIGHT LOOP: GOOD SHOT 45 | CENTER RAMP: STOP TRAIN 55 | LEFT RAMP: COMBO 65 | LEFT LOOP: JACKPOT 75 | NOT USED 85 |
| 6 Red-Blue J125-7 Q106 | STAR: MOTHER- LODE 16 | SALOON ARROW 26 | RIGHT RAMP: SAVE POLLY 36 | LEFT RETURN: QUICK DRAW 46 | CENTER RAMP: SAVE POLLY 56 | RIGHT RETURN: QUICK DRAW 66 | LEFT LOOP: RIDE 'EM 76 | NOT USED 86 |
| 7 Red-Violet J125-8 Q101 | LEFT BONUS 'X' LANE 17 | EXTRA BALL 27 | RIGHT RAMP: JACKPOT 37 | LEFT GUNFIGHT PIN 47 | CENTER RAMP: JACKPOT 57 | RIGHT OUT: SPECIAL 67 | LEFT LOOP: WILD RIDE 77 | NOT USED 87 |
| 8 Red-Gray J125-9 Q105 | RIGHT BONUS 'X' LANE 18 | MINE LOCK 28 | RIGHT RAMP: COMBO 38 | LEFT OUT: GUNFIGHT 48 | CENTER RAMP: COMBO 58 | RIGHT GUNFIGHT PIN 68 | LEFT LOOP: BUCK'N BRONCO 78 | START BUTTON 88 |

J1XX = Power Driver Board

SOLENOID/FLASHER TABLE

| Sol. No. | Function | Solenoid Type | Voltage Connections | | | Drive Xistor | Drive Connections | | | Drive Wire Color | Solenoid Part Number | |
|----------------------|-------------------------|---------------|------------------------------|-----------|---------------------|--------------|-----------------------------|---------|-------------------|------------------|----------------------|-----------|
| | | | Playfield | Insert | Cabinet | | Playfield | Insert | Cabinet | | Flashlamp Type | Playfield |
| 01 | AUTO PLUNGER | High Power | J133-2 | | | Q72 | J116-1 | | | VIO-BRN | AE-23-800 | |
| 02 | LEFT DROP TARGET | High Power | J133-2 | | | Q68 | J116-2 | | | VIO-RED | AE-26-1500 | |
| 03 | LEFT CENTER DROP TARGET | High Power | J133-2 | | | Q71 | J116-4 | | | VIO-ORG | AE-26-1500 | |
| 04 | RT CENTER DROP TARGET | High Power | J133-2 | | | Q67 | J116-5 | | | VIO-YEL | AE-26-1500 | |
| 05 | RIGHT DROP TARGET | High Power | J133-2 | | | Q70 | J116-6 | | | VIO-GRN | AE-26-1500 | |
| 06 | MINE POPPER | High Power | J133-2 | | | Q66 | J116-7 | | | VIO-BLU | AE-24-900 | |
| 07 | NOT USED | High Power | | | | Q69 | | | | | | |
| 08 | SALOON POPPER | High Power | J133-2 | | | Q65 | J116-9 | | | VIO-GRY | AE-26-1500 | |
| 09 | TROUGH EJECT | Low Power | J133-3 | | | Q44 | J113-1 | | | BRN-BLK | AE-26-1500 | |
| 10 | LEFT SLINGSHOT | Low Power | J133-3 | | | Q48 | J113-3 | | | BRN-RED | AE-26-1200 | |
| 11 | RIGHT SLINGSHOT | Low Power | J133-3 | | | Q43 | J113-4 | | | BRN-ORG | AE-26-1200 | |
| 12 | LEFT JET BUMPER | Low Power | J133-3 | | | Q47 | J113-5 | | | BRN-YEL | AE-26-1200 | |
| 13 | RIGHT JET BUMPER | Low Power | J133-3 | | | Q42 | J113-6 | | | BRN-GRN | AE-26-1200 | |
| 14 | LEFT GUNFIGHT POST | Low Power | J133-3 | | | Q46 | J113-7 | | | BRN-BLU | AE-26-1500 | |
| 15 | RIGHT GUNFIGHT POST | Low Power | J133-3 | | | Q41 | J113-8 | | | BRN-VIO | AE-26-1500 | |
| 16 | BOTTOM JET BUMPER | Low Power | J133-3 | | | Q45 | J113-9 | | | BRN-GRY | AE-26-1200 | |
| 17 | MINE MOTOR | Flasher | J140-2 | | | Q28 | J111-1 | | | BLK-BRN | 14-8015 | |
| 18 | MINE FLASHER | Flasher | J133-6 | | | Q32 | J111-2 | | | BLK-RED | #906 | |
| 19 | FRONT LEFT FLASHER | Flasher | J133-6 | | | Q27 | J111-3 | | | BLK-ORG | #906 | |
| 20 | FRONT RIGHT FLASHER | Flasher | J133-6 | | | Q31 | J111-4 | | | BLK-YEL | #906 | |
| 21 | LEFT LOOP GATE | Flasher | J133-1 | | | Q26 | J111-5 | | | BLU-GRN | A-14406 | |
| 22 | RIGHT LOOP GATE | Flasher | J133-1 | | | Q30 | J111-6 | | | BLU-BLK | A-14406 | |
| 23 | NOT USED | Flasher | | | | Q25 | J111-7 | | | BLU-VIO | | |
| 24 | BEACON FLASHER | Flasher | J133-6 | J134-5 | | Q29 | J111-8 | J112-9 | | BLU-GRY | #906 | #906 |
| 25 | MIDDLE RIGHT FLASHER | Gen. Purpose | J133-6 | | | Q16 | J109-1 | | | BLU-BRN | #906 | |
| 26 | SALOON FLASHER | Gen. Purpose | J133-6 | J134-5 | | Q15 | J109-2 | J108-2 | | BLU-RED | #906 | #906 |
| 27 | BACK RIGHT FLASHER | Gen. Purpose | J133-6 | J134-5 | | Q14 | J109-3 | J108-3 | | BLU-ORG | #906 | #906 |
| 28 | BACK LEFT FLASHER | Gen. Purpose | J133-6 | J134-5 | | Q13 | J109-5 | J108-5 | | BLU-YEL | #906 | #906 |
| Flipper Circuits | | Solenoid Type | Playfield Voltage Connection | | Drive Xistors Power | Hold | Playfield Drive Connections | | Drive Wire Colors | | | |
| 29 | LOWER RIGHT FLIPPER | Power | J119-1 | (RED-GRN) | Q90 | | J120-13 | YEL-GRN | | | FL-11630 | |
| 30 | | Hold | J119-1 | (RED-GRN) | | Q92 | J120-11 | ORG-GRN | | | | |
| 31 | LOWER LEFT FLIPPER | Power | J119-4 | (RED-BLU) | Q87 | | J120-9 | YEL-BLU | | | FL-11630 | |
| 32 | | Hold | J119-4 | (RED-BLU) | | Q89 | J120-7 | ORG-BLU | | | | |
| 33 | MOVE BART TOY | Power | J119-6 | (RED-VIO) | Q84 | | J120-6 | YEL-VIO | | | AE-26-1500 | |
| 34 | NOT USED | Hold | J119-6 | (RED-VIO) | | Q86 | J120-4 | ORG-VIO | | | | |
| 35 | NOT USED | Power | J119-8 | (RED-GRY) | Q81 | | J120-3 | YEL-GRY | | | | |
| 36 | BART TOY HAT | Hold | J119-8 | (RED-GRY) | | Q83 | J120-1 | ORG-GRY | | | AE-26-1500 | |
| Train Motor | | Solenoid Type | Playfield Voltage Connection | | Drive Gates | | Playfield Drive Connections | | Drive Wire Colors | | Device Part Number | |
| 37 | TRAIN REVERSE | Low Power | J141-2 | | U3A, U3B | | J110-1 | | BRN-WHT | | 14-8015 | |
| 38 | TRAIN FORWARD | Low Power | J141-2 | | U3C, U3D | | J110-3 | | ORG-WHT | | | |
| General Illumination | | Solenoid Type | Voltage Connections | | | Drive Xistor | Drive Connections | | | Drive Wire | Bulb Type | |
| 01 | ILLUMINATION STRING 1 | G.I. | J105-1 | | | Q5 | J105-7 | | | WHT-BRN | #44 | |
| 02 | ILLUMINATION STRING 2 | G.I. | J105-2 | | | Q4 | J105-8 | | | WHT-ORG | #44 | |
| 03 | ILLUMINATION STRING 3 | G.I. | J105-3 | | | Q3 | J105-9 | | | WHT-YEL | #44 | |
| 04 | ILLUMINATION STRING 4 | G.I. | | J106-5 | | Q2 | | J106-10 | | WHT-GRN | | #555 |
| 05 | ALL ILLIMINATION | G.I. | | J106-6 | J104-3 | Q1 | | J106-11 | J104-1 | WHT-VIO | | #555 |

*These general illumination strings do not brighten and dim, they are always on.

| | |
|--------------------|---------------------|
| 24-6549 = #44 bulb | 24-8768 = #555 bulb |
| 24-8704 = #89 bulb | 24-8802 = #906 bulb |

SWITCH MATRIX

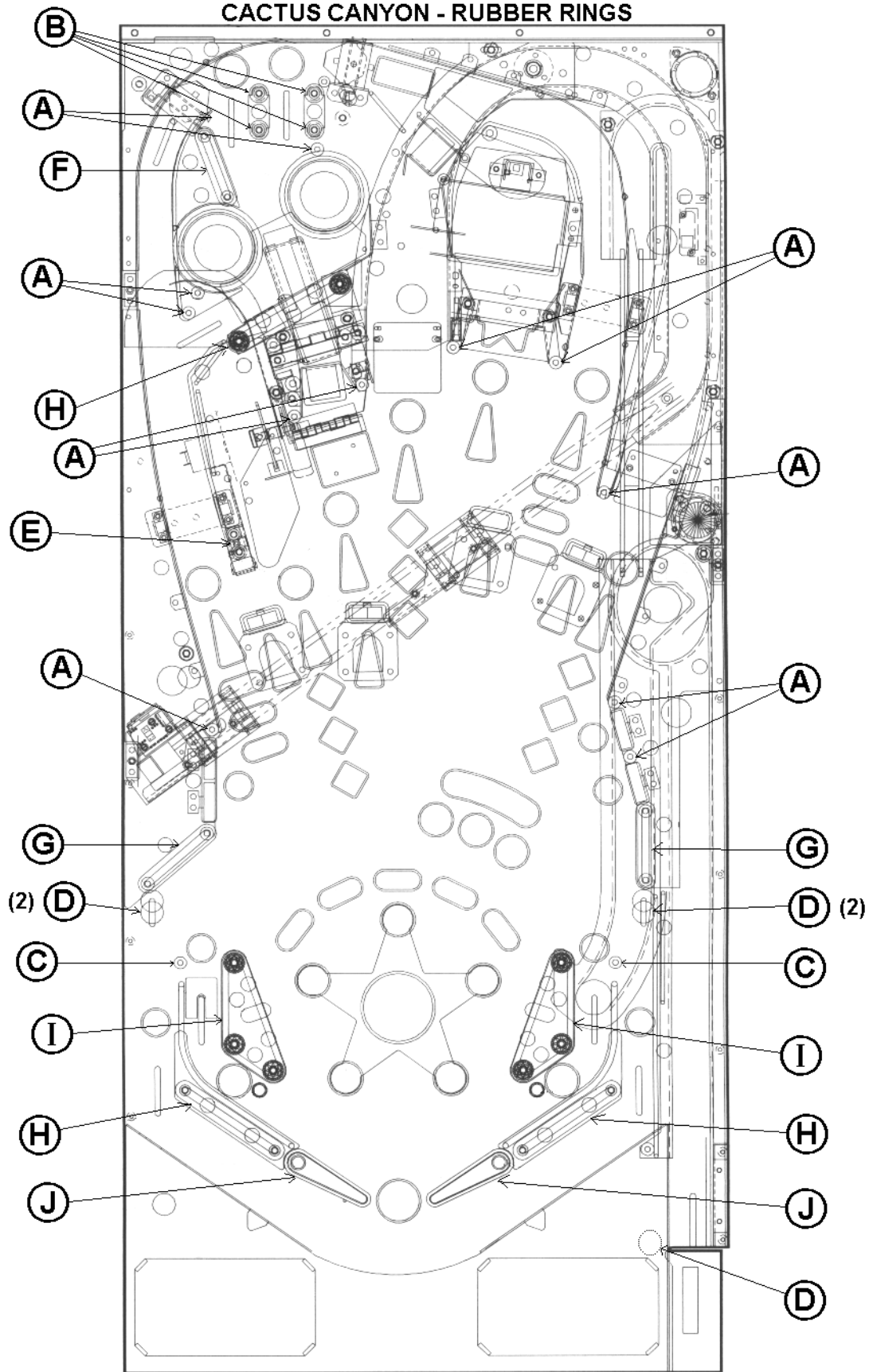


| DEDICATED GROUNDED SWITCHES | Column | 1 | 2 | 3 | 4 | 5 | 6 | 7 | 8 | FLIPPER GROUNDED SWITCHES |
|---------------------------------------------------------------|--------------------------------------|---------------------------------|-------------------------------|----------------------------------|---------------------------------|---------------------------------|--------------------------------|----------------------------------|--------------------------------|-------------------------------------------------------------|
| | Row | Green-Brown J206-1 U20-18 | Green-Red J206-2 U20-17 | Green-Orange J206-3 U20-16 | Green-White J206-4 U20-15 | Green-Black J206-5 U20-14 | Green-Blue J206-6 U20-13 | Green-Violet J206-7 U20-12 | Green-Gray J206-9 U20-11 | |
| Orange-Brown J205-1 LEFT COIN CHUTE U17-5 D1 | 1 White-Brown J208-1 U18-11 | NOT USED 11 | SLAM TILT 21 | TROUGH EJECT 31 | MINE POPPER 41 | LEFT SLINGSHOT 51 | DROP #1 LEFT 61 | TRAIN ENCODER 71 | NOT USED 81 | BLACK-GREEN J208-13 LOWER RIGHT FLIPPER E.O.S. F1 |
| Orange-Red J205-2 CENTER COIN CHUTE U17-7 D2 | 2 White-Red J208-2 U18-9 | NOT USED 12 | COIN DOOR CLOSED 22 | TROUGH BALL 1 32 | SALOON POPPER 42 | RIGHT SLINGSHOT 52 | DROP #2 LEFT CENTER 62 | TRAIN HOME 72 | CENTER RAMP ENTER 82 | BLUE-VIOLET J212-12 LOWER RIGHT FLIPPER OPTO F2 |
| Orange-Black J205-3 RIGHT COIN CHUTE U17-11 D3 | 3 White-Orange J208-3 U18-5 | START BUTTON 13 | NOT USED 23 | TROUGH BALL 2 33 | NOT USED 43 | LEFT JET BUMPER 53 | DROP #3 RIGHT CENTER 63 | SALOON GATE 73 | LEFT RAMP MAKE 83 | BLACK-BLUE J208-12 LOWER LEFT FLIPPER E.O.S. F3 |
| Orange-Yellow J205-4 4TH COIN CHUTE U17-9 D4 | 4 White-Yellow J208-4 U18-7 | PLUMB BOB TILT 14 | ALWAYS CLOSED 24 | TROUGH BALL 3 34 | TOP RIGHT STANDUP 44 | RIGHT JET BUMPER 54 | DROP #4 RIGHT 64 | NOT USED 74 | CENTER RAMP MAKE 84 | BLUE-GRAY J212-11 LOWER LEFT FLIPPER OPTO F4 |
| Orange-Green J205-6 Normal Function Srv Crdts D5 | 5 White-Green J208-5 U19-11 | MINE ENTRANCE 15 | NOT USED 25 | TROUGH BALL 4 35 | NOT USED 45 | BOTTOM JET BUMPER 55 | RIGHT RAMP MAKE 65 | SALOON BART TOY 75 | LEFT RAMP ENTER 85 | BLACK-VIOLET J208-11 UPPER RIGHT FLIPPER E.O.S. F5 |
| Orange-Blue J205-7 Normal Function Volume Dn D6 | 6 White-Blue J208-7 U19-9 | LEFT OUTLANE 16 | LEFT RETURN LANE 26 | LEFT LOOP BOTTOM 36 | BEER MUG SWITCH 46 | RIGHT LOOP TOP 56 | RIGHT RAMP ENTER 66 | NOT USED 76 | TOP LEFT STANDUP 86 | BLACK-YELLOW J212-10 UPPER RIGHT FLIPPER OPTO F6 |
| Orange-Violet J205-8 Normal Function Volume Up D7 | 7 White-Violet J208-8 U19-5 | RIGHT RETURN LANE 17 | RIGHT OUTLANE 27 | RIGHT LOOP BOTTOM 37 | LEFT BONUS "X" LANE 47 | RIGHT BONUS "X" LANE 57 | SKILL BOWL 67 | MINE HOME 77 | BOTTOM LEFT STANDUP 87 | BLACK-GRAY J208-10 UPPER LEFT FLIPPER E.O.S. F7 |
| Orange-Gray J205-9 Normal Function Begin Test D8 | 8 White-Gray J208-9 U19-7 | SHOOTER LANE 18 | BOTTOM RIGHT STANDUP 28 | NOT USED 38 | JET EXIT 48 | LEFT LOOP TOP 58 | BOTTOM RIGHT RAMP 68 | MINE ENCODER 78 | NOT USED 88 | BLACK-BLUE J212-9 UPPER LEFT FLIPPER OPTO F8 |

J2XX = CPU BOARD

[Shaded Box] = OPTO, TYPICALLY CLOSED

CACTUS CANYON - RUBBER RINGS



| Item | Part No. | Description | Qty. |
|------|-----------|----------------------|------|
| A | 23-6556 | Rubber Bumper Sleeve | 12 |
| B | 23-6641 | Rubber Bumper .64 od | 4 |
| C | 23-6694-1 | Rubber Grommet 3/32" | 2 |
| D | 23-6694-3 | Rubber Ring 5/16" | 5 |
| E | 23-6694-4 | Rubber Ring 7/16" | 1 |

| Item | Part No. | Description | Qty. |
|------|------------|------------------------|------|
| F | 23-6694-6 | Rubber Ring 1" | 1 |
| G | 23-6694-7 | Rubber Ring 1 1/4" | 2 |
| H | 23-6694-9 | Rubber Ring 2" | 3 |
| I | 23-6694-10 | Rubber Ring 2 1/2" | 2 |
| J | 23-6695 | Flipper Ring 1 1/2" id | 2 |

SECTION THREE

GAME WIRING AND SCHEMATICS

CONNECTOR & COMPONENT IDENTIFICATION

Each plug or jack receives a number that identifies the circuit board and the position on that board that it connects to. J-designations refer to a male connector. P-designations refer to a female connector. For example, J101 designates jack 1 of board 1 (a Power Driver board jack); P206 designates plug 6 of board 2 (a CPU board plug). Identifying the specific pin number of a connector involves a hyphen, which separates the pin number from the plug or jack designation. For example, J101-3 refers to pin 3 of jack 1 on board 1.

Other game components may also have similar numbers to clarify their locations or related circuits. For example, F501 is a fuse on the Audio Video board.

Prefix numbers for WPC circuit boards are listed below.

J1XX - Power Driver board jacks; F1XX - Power Driver board fuses

J2XX - CPU Board (There are no fuses on the CPU board.)

J5XX and J6XX - Audio Video board (AV board) jacks; F5XX and F6XX - Audio Video board fuses

Schematics for standard WPC backbox boards are found in the WPC Schematics Manual. Playfield, cabinet and all other backbox board schematics are found in this section.

SWITCH MATRIX

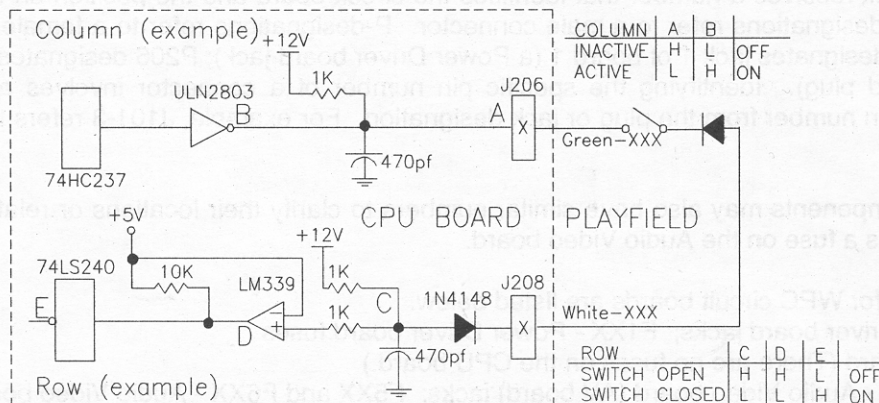
White Green

| DEDICATED GROUNDED SWITCHES | Column | 1 | 2 | 3 | 4 | 5 | 6 | 7 | 8 | FLIPPER GROUNDED SWITCHES |
|--------------------------------------------------------------------------------------------------|--------------------------------------|---------------------------------|-------------------------------|----------------------------------|---------------------------------|---------------------------------|--------------------------------|----------------------------------|--------------------------------|-------------------------------------------------------------|
| | Row | Green-Brown J206-1 U20-18 | Green-Red J206-2 U20-17 | Green-Orange J206-3 U20-16 | Green-White J206-4 U20-15 | Green-Black J206-5 U20-14 | Green-Blue J206-6 U20-13 | Green-Violet J206-7 U20-12 | Green-Gray J206-9 U20-11 | |
| Orange-Brown J205-1 LEFT COIN CHUTE U17-5 D1 | 1 White-Brown J208-1 U18-11 | NOT USED 11 | SLAM TILT 21 | TROUGH EJECT 31 | MINE POPPER 41 | LEFT SLINGSHOT 51 | DROP #1 LEFT 61 | TRAIN ENCODER 71 | NOT USED 81 | BLACK-GREEN J208-13 LOWER RIGHT FLIPPER E.O.S. F1 |
| Orange-Red J205-2 CENTER COIN CHUTE U17-7 D2 | 2 White-Red J208-2 U18-9 | NOT USED 12 | COIN DOOR CLOSED 22 | TROUGH BALL 1 32 | SALOON POPPER 42 | RIGHT SLINGSHOT 52 | DROP #2 LEFT CENTER 62 | TRAIN HOME 72 | CENTER RAMP ENTER 82 | BLUE-VIOLET J212-12 LOWER RIGHT FLIPPER OPTO F2 |
| Orange-Black J205-3 RIGHT COIN CHUTE U17-11 D3 | 3 White-Orange J208-3 U18-5 | START BUTTON 13 | NOT USED 23 | TROUGH BALL 2 33 | NOT USED 43 | LEFT JET BUMPER 53 | DROP #3 RIGHT CENTER 63 | SALOON GATE 73 | LEFT RAMP MAKE 83 | BLACK-BLUE J208-12 LOWER LEFT FLIPPER E.O.S. F3 |
| Orange-Yellow J205-4 4TH COIN CHUTE U17-9 D4 | 4 White-Yellow J208-4 U18-7 | PLUMB BOB TILT 14 | ALWAYS CLOSED 24 | TROUGH BALL 3 34 | TOP RIGHT STANDUP 44 | RIGHT JET BUMPER 54 | DROP #4 RIGHT 64 | NOT USED 74 | CENTER RAMP MAKE 84 | BLUE-GRAY J212-11 LOWER LEFT FLIPPER OPTO F4 |
| Orange-Green J205-6 U16-9 Normal Function Test Function Srv Crdts Escape D5 | 5 White-Green J208-5 U19-11 | MINE ENTRANCE 15 | NOT USED 25 | TROUGH BALL 4 35 | NOT USED 45 | BOTTOM JET BUMPER 55 | RIGHT RAMP MAKE 65 | SALOON BART TOY 75 | LEFT RAMP ENTER 85 | BLACK-VIOLET J208-11 UPPER RIGHT FLIPPER E.O.S. F5 |
| Orange-Blue J205-7 U16-11 Normal Function Test Function Volume Dn Down D6 | 6 White-Blue J208-7 U19-9 | LEFT OUTLANE 16 | LEFT RETURN LANE 26 | LEFT LOOP BOTTOM 36 | BEER MUG SWITCH 46 | RIGHT LOOP TOP 56 | RIGHT RAMP ENTER 66 | NOT USED 76 | TOP LEFT STANDUP 86 | BLACK-YELLOW J212-10 UPPER RIGHT FLIPPER OPTO F6 |
| Orange-Violet J205-8 U16-7 Normal Function Test Function Volume Up Up D7 | 7 White-Violet J208-8 U19-5 | RIGHT RETURN LANE 17 | RIGHT OUTLANE 27 | RIGHT LOOP BOTTOM 37 | LEFT BONUS "X" LANE 47 | RIGHT BONUS "X" LANE 57 | SKILL BOWL 67 | MINE HOME 77 | BOTTOM LEFT STANDUP 87 | BLACK-GRAY J208-10 UPPER LEFT FLIPPER E.O.S. F7 |
| Orange-Gray J205-9 U16-5 Normal Function Test Function Begin Test Enter D8 | 8 White-Gray J208-9 U19-7 | SHOOTER LANE 18 | BOTTOM RIGHT STANDUP 28 | NOT USED 38 | JET EXIT 48 | LEFT LOOP TOP 58 | BOTTOM RIGHT RAMP 68 | MINE ENCODER 78 | NOT USED 88 | BLACK-BLUE J212-9 UPPER LEFT FLIPPER OPTO F8 |

J2XX = CPU BOARD

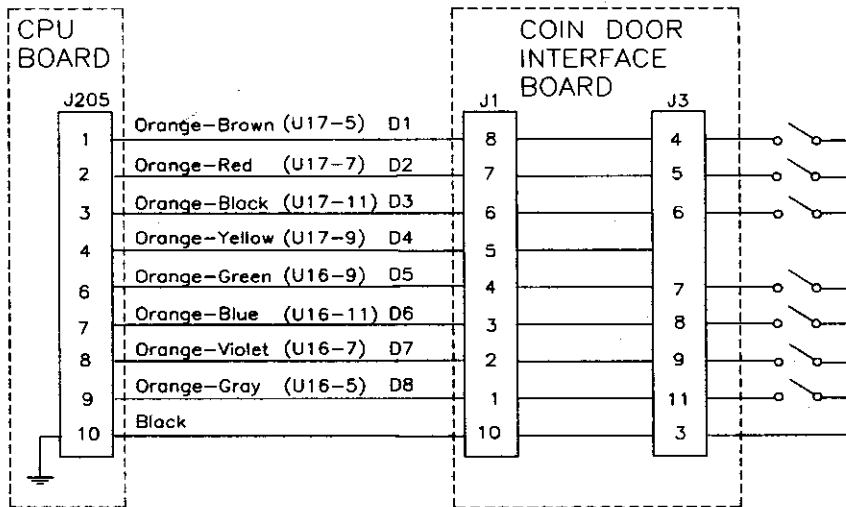
= OPTO, TYPICALLY CLOSED

SWITCH MATRIX CIRCUIT



The microprocessor is constantly strobing the column side of the switch. When point "A" on the column circuit toggles low, the column side is active. When a switch closes, the row side of the circuit activates. The "+" input to the LM339 drops below +5V, therefore, its output is low. Corresponding row and column switches must be low at the same time for the switch to be considered closed by the microprocessor. When the switch opens, the "+" input to the LM339 is above +5V, its output is high and the row is inactive.

DEDICATED SWITCHES



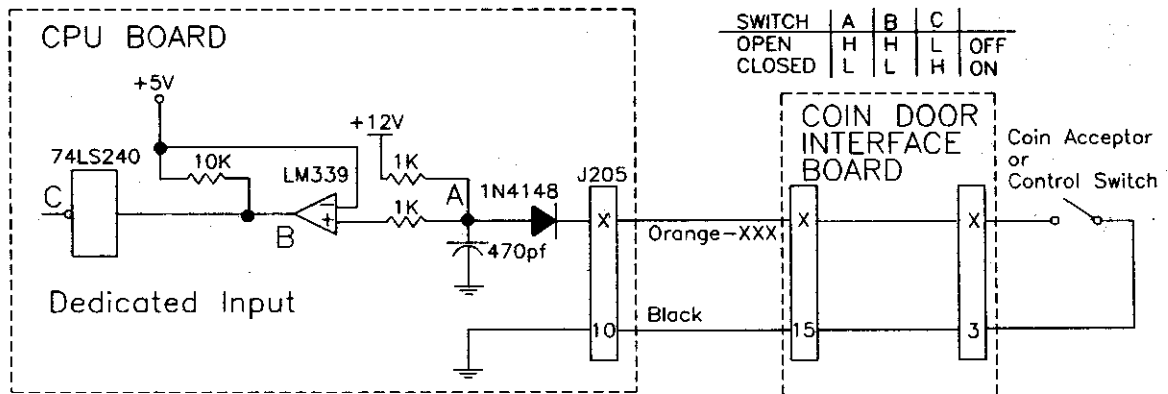
Coin Acceptor Switches

- D1 - Left Coin Chute
- D2 - Center Coin Chute
- D3 - Right Coin Chute
- D4 - Fourth Coin Chute

Control Switches

- D5 - Normal Function, Service Credits; Test Function, Escape
- D6 - Normal Function, Volume Down; Test Function, Down
- D7 - Normal Function, Volume Up; Test Function, Up
- D8 - Normal Function, Begin Test; Test Function, Enter


DEDICATED SWITCH CIRCUIT



The dedicated switches operate similar in the matrix, except that instead of a column circuit there is a direct tie to ground. Therefore, the column side is constantly active (low).

When a switch closes, the row side (dedicated input) of the circuit activates. The "+" input to the LM339 drops below +5V, therefore the output is low. Since the row circuit (dedicated input) is tied directly to ground through the switch, the switch is considered closed by the microprocessor. When the switch opens, the "+" input to the LM339 is above +5V, its output is high and the row is inactive.

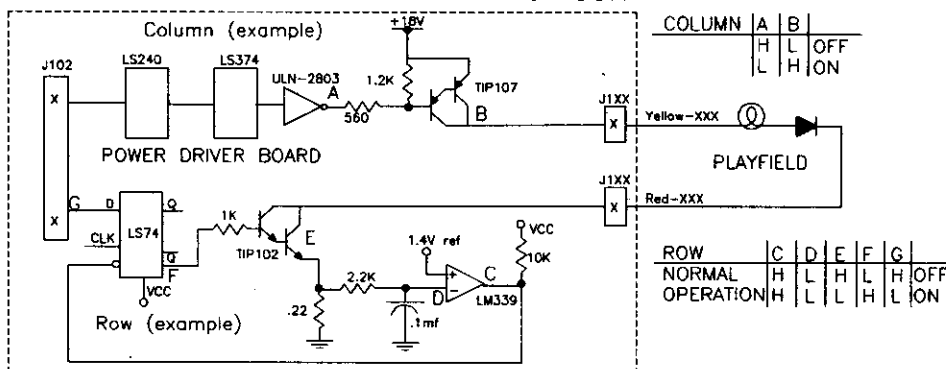
LAMP MATRIX

Yellow (B+)  Red

| Column \ Row | 1 Yellow-Brown J121-1 Q96 | 2 Yellow-Red J121-2 Q100 | 3 Yellow-Orange J121-3 Q95 | 4 Yellow-Black J121-4 Q99 | 5 Yellow-Green J121-5 Q94 | 6 Yellow-Blue J121-6 Q98 | 7 Yellow-Violet J121-7 Q93 | 8 Yellow-Gray J121-9 Q97 |
|--------------------------------|------------------------------------|-----------------------------------|-------------------------------------|------------------------------------|------------------------------------|-----------------------------------|-------------------------------------|-----------------------------------|
| 1 Red-Brown J125-1 Q104 | RANK: STRANGER 11 | BOUNTY BEACON 21 | R. CENTER DROP: BAD GUY 3 31 | RIGHT LOOP: COMBO 41 | RIGHT DROP: BAD GUY 4 51 | LEFT RAMP: WHITEWATER 61 | STAR: STAMPEDE 71 | STAR: BART BROTHERS 81 |
| 2 Red-Black J125-2 Q108 | RANK: PARTNER 12 | JACKPOT BEACON 22 | LEFT DROP: BAD GUY 1 32 | RIGHT LOOP: JACKPOT 42 | BOTTOM RIGHT STANDUP 52 | LEFT RAMP: WATERFALL 62 | STAR: COMBO 72 | SHOOT AGAIN 82 |
| 3 Red-Orange J125-4 Q103 | RANK: DEPUTY 13 | SHOOT TO COLLECT 23 | LEFT STANDUP 33 | RIGHT LOOP: MARKSMAN 43 | TOP RIGHT STANDUP 53 | LEFT RAMP: SAVE POLLY 63 | STAR: HIGH NOON 73 | STAR: SHOWDOWN 83 |
| 4 Red-Yellow J125-5 Q107 | RANK: SHERIFF 14 | EXTRA BALL LIT BEACON 24 | R. RAMP: SOUND ALARM 34 | RIGHT LOOP: GUNSLINGER 44 | CENTER RAMP: CATCH TRAIN 54 | LEFT RAMP: JACKPOT 64 | LEFT LOOP: COMBO 74 | L. CENTER DROP: BAD GUY 2 84 |
| 5 Red-Green J125-6 Q102 | RANK: MARSHALL 15 | BOUNTY (SALOON) 25 | RIGHT RAMP: SHOOT OUT 35 | RIGHT LOOP: GOOD SHOT 45 | CENTER RAMP: STOP TRAIN 55 | LEFT RAMP: COMBO 65 | LEFT LOOP: JACKPOT 75 | NOT USED 85 |
| 6 Red-Blue J125-7 Q106 | STAR: MOTHER-LODE 16 | SALOON ARROW 26 | RIGHT RAMP: SAVE POLLY 36 | LEFT RETURN: QUICK DRAW 46 | CENTER RAMP: SAVE POLLY 56 | RIGHT RETURN: QUICK DRAW 66 | LEFT LOOP: RIDE 'EM 76 | NOT USED 86 |
| 7 Red-Violet J125-8 Q101 | LEFT BONUS 'X' LANE 17 | EXTRA BALL 27 | RIGHT RAMP: JACKPOT 37 | LEFT GUNFIGHT PIN 47 | CENTER RAMP: JACKPOT 57 | RIGHT OUT: SPECIAL 67 | LEFT LOOP: WILD RIDE 77 | NOT USED 87 |
| 8 Red-Gray J125-9 Q105 | RIGHT BONUS 'X' LANE 18 | MINE LOCK 28 | RIGHT RAMP: COMBO 38 | LEFT OUT: GUNFIGHT 48 | CENTER RAMP: COMBO 58 | RIGHT GUNFIGHT PIN 68 | LEFT LOOP: BUCK'N BRONCO 78 | START BUTTON 88 |

J1XX = Power Driver Board

LAMP MATRIX CIRCUIT



The microprocessor sends a signal to the column circuit causing the output of the UNL-2803 to toggle. When point "A" drops low, the TIP107 transistor conducts and point "B" changes to a high state. At the same time, the microprocessor drives the input of the 74LS74 low, causing a high at output "F". A high state at the base of the TIP102 causes the transistor to conduct, bringing the row circuit to ground and turning the lamp on. The microprocessor changes the input of the 74LS74 to a high state to turn the lamp off. In overcurrent conditions, the lamp is shut off through the comparator. If the voltage at the negative input of the LM339 rises above 1.4V, the output changes to a low, which is fed back to the 74LS74 and shuts the circuit off.

SOLENOID/FLASHER TABLE

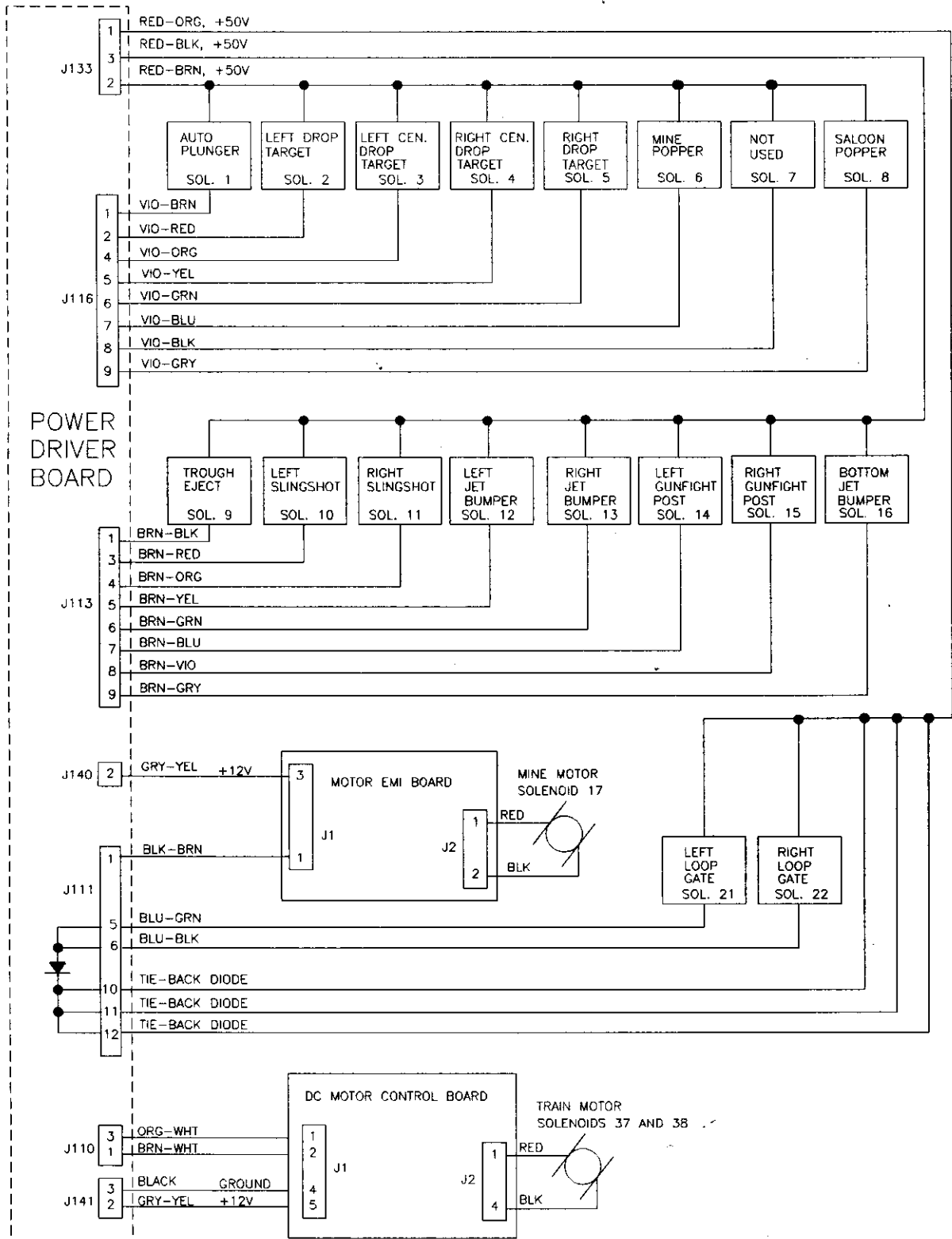
| Sol. No. | Function | Solenoid Type | Voltage Connections | | | Drive Xistor | Drive Connections | | | Drive Wire Color | Solenoid Part Number | | | |
|-----------------------------|-------------------------|----------------------|-------------------------------------|---------------|----------------------|---------------------|------------------------------------|------------------------------------|--------------------------|--------------------------|---------------------------|---------------|-------------|------------|
| | | | Playfield | Insert | Cabinet | | Playfield | Insert | Cabinet | | Flashlamp Type | Playfield | Insert | |
| 01 | AUTO PLUNGER | High Power | J133-2 | | | Q72 | J116-1 | | | VIO-BRN | AE-23-800 | | | |
| 02 | LEFT DROP TARGET | High Power | J133-2 | | | Q68 | J116-2 | | | VIO-RED | AE-26-1500 | | | |
| 03 | LEFT CENTER DROP TARGET | High Power | J133-2 | | | Q71 | J116-4 | | | VIO-ORG | AE-26-1500 | | | |
| 04 | RT CENTER DROP TARGET | High Power | J133-2 | | | Q67 | J116-5 | | | VIO-YEL | AE-26-1500 | | | |
| 05 | RIGHT DROP TARGET | High Power | J133-2 | | | Q70 | J116-6 | | | VIO-GRN | AE-26-1500 | | | |
| 06 | MINE POPPER | High Power | J133-2 | | | Q66 | J116-7 | | | VIO-BLU | AE-24-900 | | | |
| 07 | NOT USED | High Power | | | | Q69 | | | | | | | | |
| 08 | SALOON POPPER | High Power | J133-2 | | | Q65 | J116-9 | | | VIO-GRY | AE-26-1500 | | | |
| 09 | TROUGH EJECT | Low Power | J133-3 | | | Q44 | J113-1 | | | BRN-BLK | AE-26-1500 | | | |
| 10 | LEFT SLINGSHOT | Low Power | J133-3 | | | Q48 | J113-3 | | | BRN-RED | AE-26-1200 | | | |
| 11 | RIGHT SLINGSHOT | Low Power | J133-3 | | | Q43 | J113-4 | | | BRN-ORG | AE-26-1200 | | | |
| 12 | LEFT JET BUMPER | Low Power | J133-3 | | | Q47 | J113-5 | | | BRN-YEL | AE-26-1200 | | | |
| 13 | RIGHT JET BUMPER | Low Power | J133-3 | | | Q42 | J113-6 | | | BRN-GRN | AE-26-1200 | | | |
| 14 | LEFT GUNFIGHT POST | Low Power | J133-3 | | | Q46 | J113-7 | | | BRN-BLU | AE-26-1500 | | | |
| 15 | RIGHT GUNFIGHT POST | Low Power | J133-3 | | | Q41 | J113-8 | | | BRN-VIO | AE-26-1500 | | | |
| 16 | BOTTOM JET BUMPER | Low Power | J133-3 | | | Q45 | J113-9 | | | BRN-GRY | AE-26-1200 | | | |
| 17 | MINE MOTOR | Flasher | J140-2 | | | Q28 | J111-1 | | | BLK-BRN | 14-8015 | | | |
| 18 | MINE FLASHER | Flasher | J133-6 | | | Q32 | J111-2 | | | BLK-RED | #906 | | | |
| 19 | FRONT LEFT FLASHER | Flasher | J133-6 | | | Q27 | J111-3 | | | BLK-ORG | #906 | | | |
| 20 | FRONT RIGHT FLASHER | Flasher | J133-6 | | | Q31 | J111-4 | | | BLK-YEL | #906 | | | |
| 21 | LEFT LOOP GATE | Flasher | J133-1 | | | Q26 | J111-5 | | | BLU-GRN | A-14406 | | | |
| 22 | RIGHT LOOP GATE | Flasher | J133-1 | | | Q30 | J111-6 | | | BLU-BLK | A-14406 | | | |
| 23 | NOT USED | Flasher | | | | Q25 | J111-7 | | | BLU-VIO | | | | |
| 24 | BEACON FLASHER | Flasher | J133-6 | J134-5 | | Q29 | J111-8 | J112-9 | | BLU-GRY | #906 | #906 | | |
| 25 | MIDDLE RIGHT FLASHER | Gen. Purpose | J133-6 | | | Q16 | J109-1 | | | BLU-BRN | #906 | | | |
| 26 | SALOON FLASHER | Gen. Purpose | J133-6 | J134-5 | | Q15 | J109-2 | J108-2 | | BLU-RED | #906 | #906 | | |
| 27 | BACK RIGHT FLASHER | Gen. Purpose | J133-6 | J134-5 | | Q14 | J109-3 | J108-3 | | BLU-ORG | #906 | #906 | | |
| 28 | BACK LEFT FLASHER | Gen. Purpose | J133-6 | J134-5 | | Q13 | J109-5 | J108-5 | | BLU-YEL | #906 | #906 | | |
| Flipper Circuits | | Solenoid Type | Playfield Voltage Connection | | Drive Xistors | Power | Hold | Playfield Drive Connections | | Drive Wire Colors | | Power | Hold | |
| 29 | | Power | J119-1 (RED-GRN) | | Q90 | | | J120-13 | | YEL-GRN | | | | FL-11630 |
| 30 | LOWER RIGHT FLIPPER | Hold | J119-1 (RED-GRN) | | | Q92 | | J120-11 | | ORG-GRN | | | | |
| 31 | | Power | J119-4 (RED-BLU) | | Q87 | | | J120-9 | | YEL-BLU | | | | FL-11630 |
| 32 | LOWER LEFT FLIPPER | Hold | J119-4 (RED-BLU) | | | Q89 | | J120-7 | | ORG-BLU | | | | |
| 33 | MOVE BART TOY | Power | J119-6 (RED-VIO) | | Q84 | | | J120-6 | | YEL-VIO | | | | AE-26-1500 |
| 34 | NOT USED | Hold | J119-6 (RED-VIO) | | | Q86 | | J120-4 | | ORG-VIO | | | | |
| 35 | NOT USED | Power | J119-8 (RED-GRY) | | Q81 | | | J120-3 | | YEL-GRY | | | | |
| 36 | BART TOY HAT | Hold | J119-8 (RED-GRY) | | | Q83 | | J120-1 | | ORG-GRY | | | | AE-26-1500 |
| Train Motor | | Solenoid Type | Playfield Voltage Connection | | Drive Gates | | Playfield Drive Connections | | Drive Wire Colors | | Device Part Number | | | |
| 37 | TRAIN REVERSE | Low Power | J141-2 | | U3A, U3B | | J110-1 | | BRN-WHT | | 14-8015 | | | |
| 38 | TRAIN FORWARD | Low Power | J141-2 | | U3C, U3D | | J110-3 | | ORG-WHT | | | | | |
| General Illumination | | Solenoid Type | Voltage Connections | | | Drive Xistor | Drive Connections | | | Drive Wire | Bulb Type | | | |
| | | | Playfield | Insert | Cabinet | | Playfield | Insert | Cabinet | | Playfield | Insert | | |
| 01 | ILLUMINATION STRING 1 | G.I. | J105-1 | | | Q5 | J105-7 | | | WHT-BRN | #44 | | | |
| 02 | ILLUMINATION STRING 2 | G.I. | J105-2 | | | Q4 | J105-8 | | | WHT-ORG | #44 | | | |
| 03 | ILLUMINATION STRING 3 | G.I. | J105-3 | | | Q3 | J105-9 | | | WHT-YEL | #44 | | | |
| 04 | ILLUMINATION STRING 4 | G.I. | | J106-5 | | Q2 | | J106-10 | | WHT-GRN | | #555 | | |
| 05 | ALL ILLIMINATION | G.I. | J106-6 | J104-3 | | Q1 | | J106-11 | J104-1 | WHT-VIO | | #555 | | |

*These general illumination strings do not brighten and dim, they are always on.

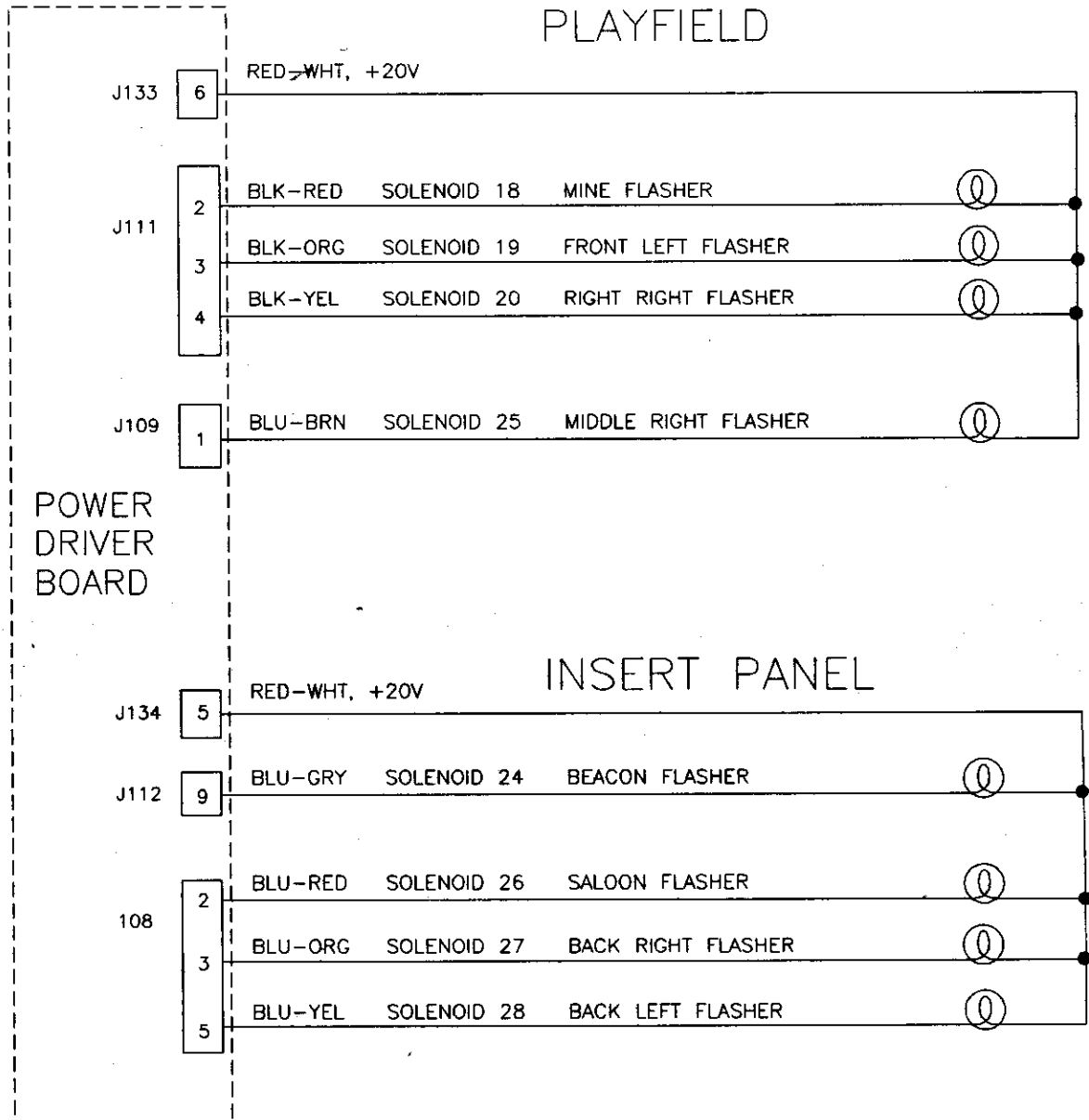
| | | | |
|-----------|----------|-----------|-----------|
| 24-6549 = | #44 bulb | 24-8768 = | #555 bulb |
| 24-8704 = | #89 bulb | 24-8802 = | #906 bulb |

SOLENOID WIRING

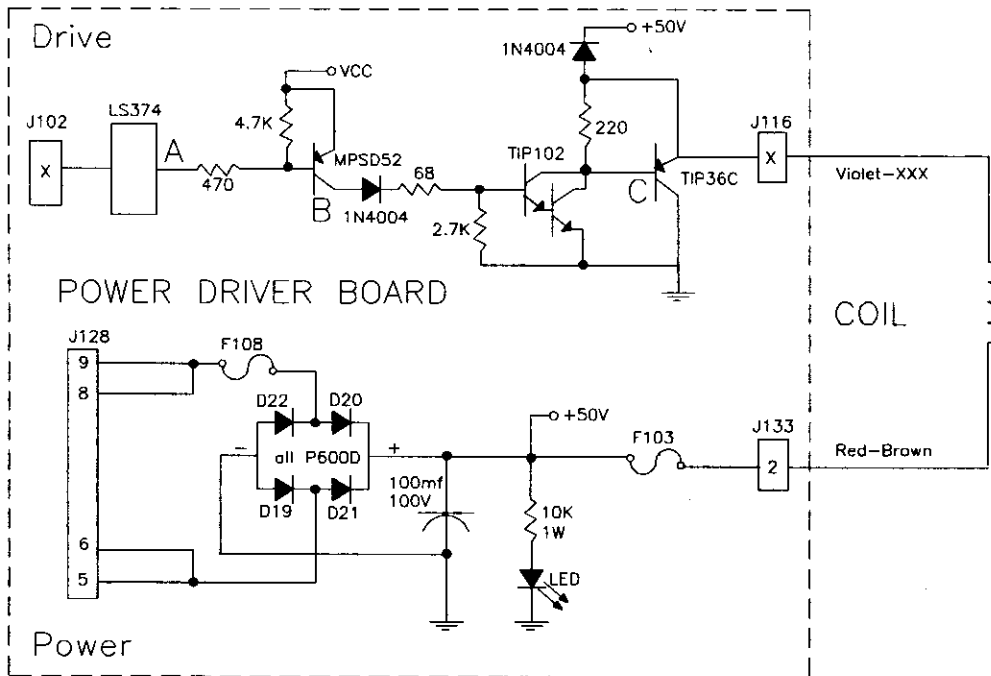
COILS



FLASHLAMPS

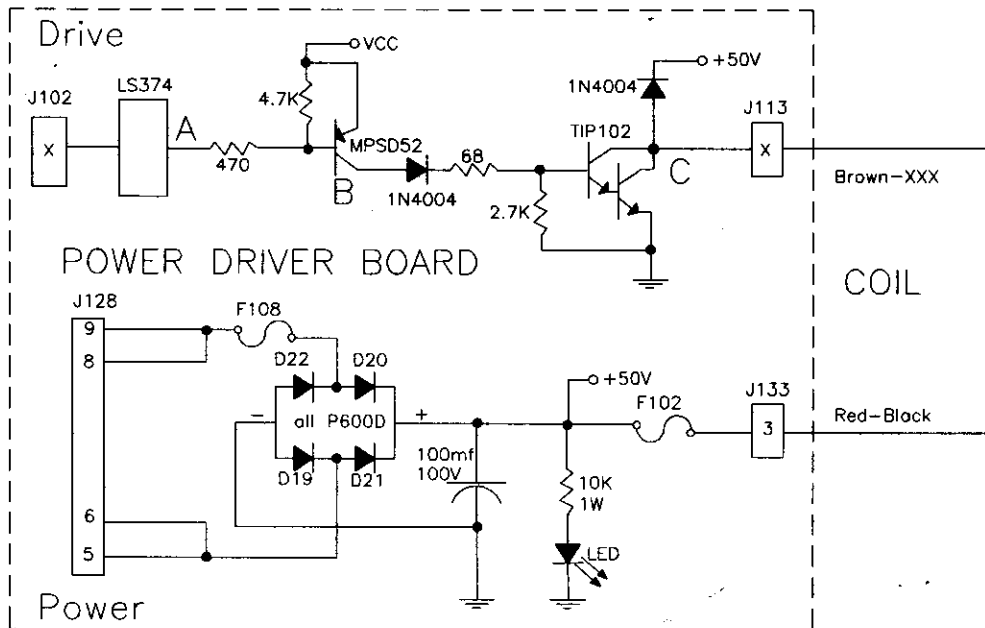


HIGH POWER SOLENOID CIRCUIT



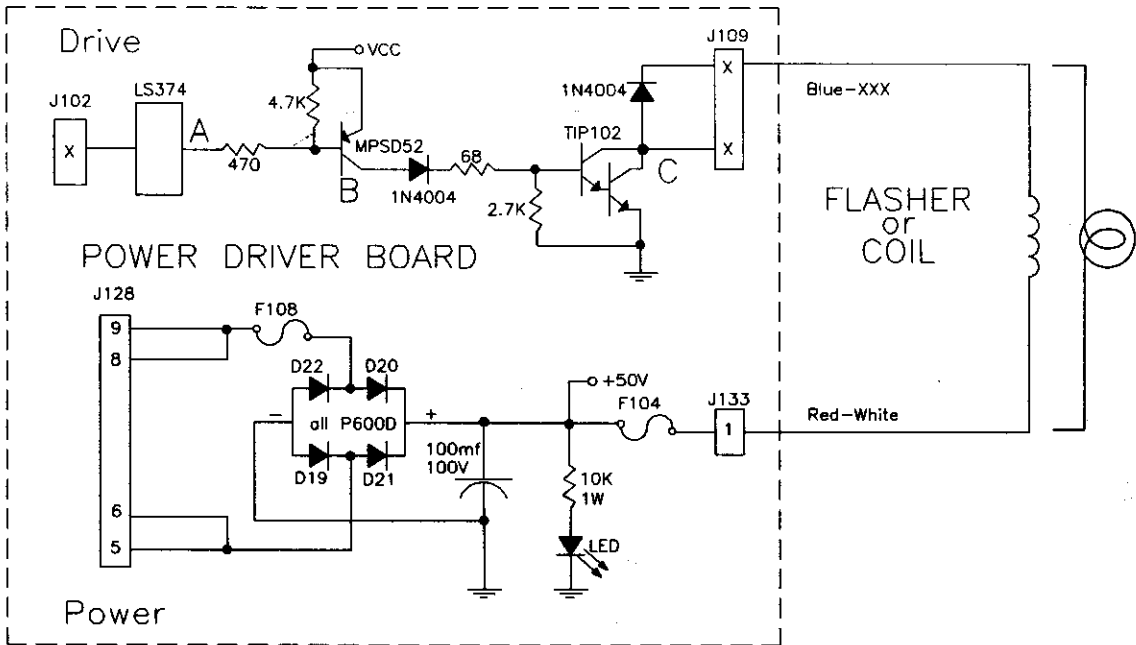
The microprocessor toggles the output of the 74LS374. When point "A" is low, point "B", the collector of the 2N5401 transistor, is high. A high at point "B" causes point "C", the collector of the TIP102 transistor and point "D", the emitter of the TIP36C transistor, to drop low. When point "D" is low, the coil is grounded through the transistor and turns on. The coil shuts off when point "A" toggles high.

LOW POWER SOLENOID CIRCUIT



The microprocessor toggles the output of the 74LS374. When point "A" is low, point "B", the collector of the 2N5401 transistor, is high. A high at point "B" turns on the TIP102 transistor and causes point "C" to drop low. When point "C" is low the coil is grounded through the transistor and turns on. The coil shuts off when point "A" toggles high.

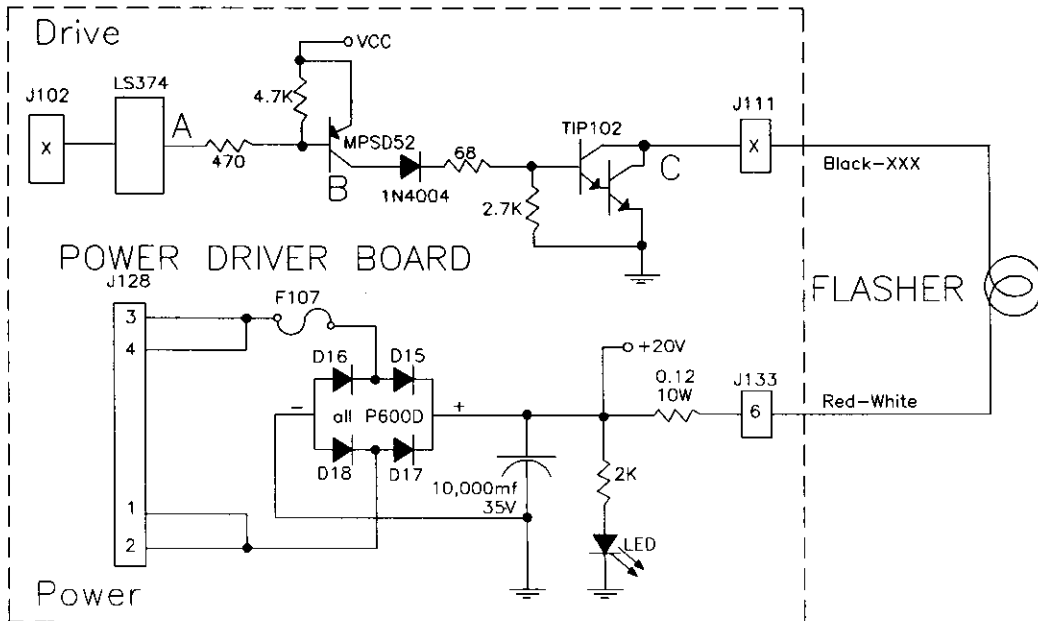
SPECIAL (GENERAL PURPOSE) SOLENOID CIRCUIT



The microprocessor toggles the output of the 74LS374. When point "A" is low, point "B" the collector of the 2N5401 transistor, is high. A high at point "B" causes a low at point "C". When point "C" is low, the coil/flashlamp is grounded through the transistor and turns on. When point "A" toggles high the coil/flashlamp turns off.

* Tieback diode is not used for flashlamp circuit.

FLASHLAMP CIRCUIT



The microprocessor toggles the output of the 74LS374. When point "A" is low, point "B" the collector of the 2N5401 transistor, is high. Once point "B" is high, point "C" the collector of the TIP102 transistor is low. When point "C" is low, the flashlamp is grounded through the transistor and turns on. When point "A" toggles high, the current shuts off.

GENERAL ILLUMINATION CIRCUIT

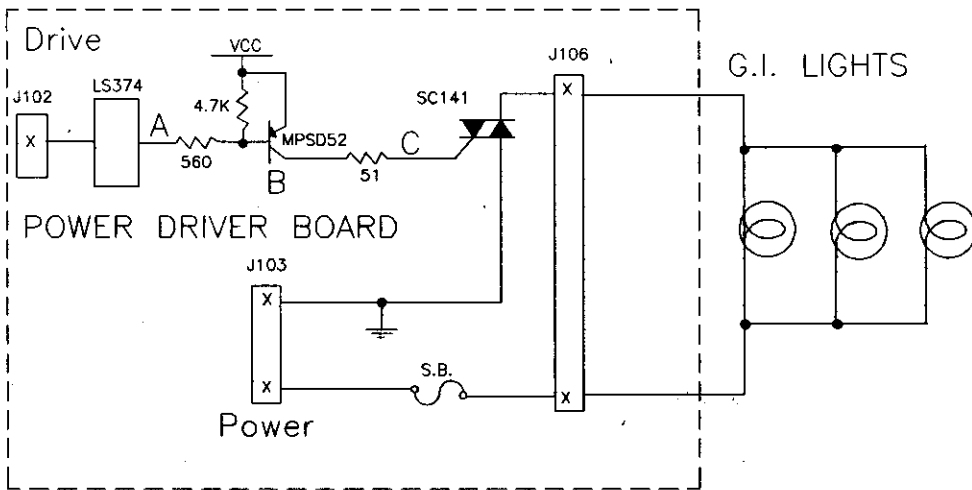


Figure #1

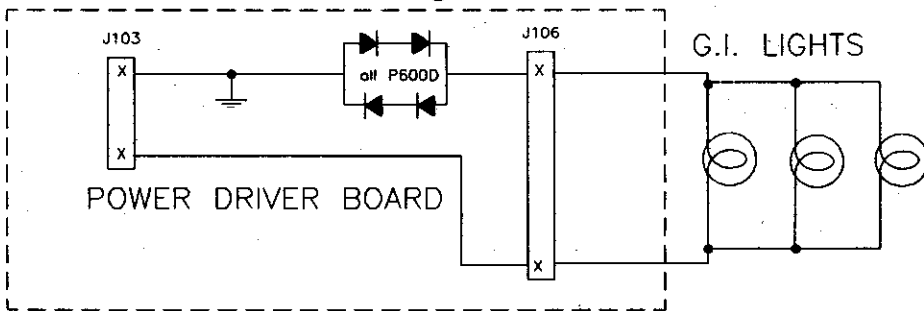
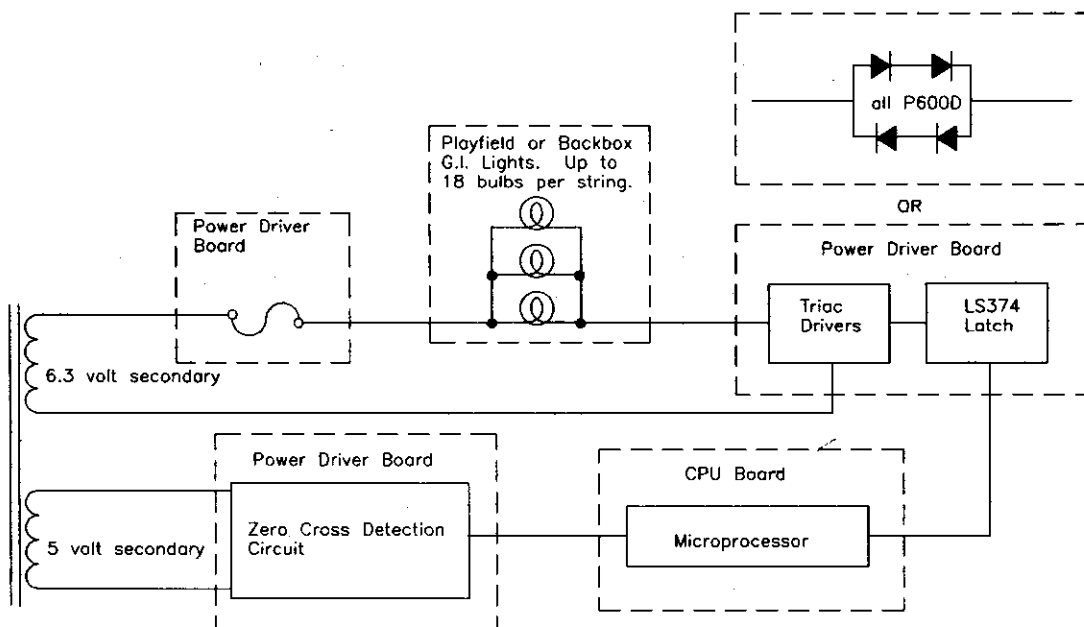


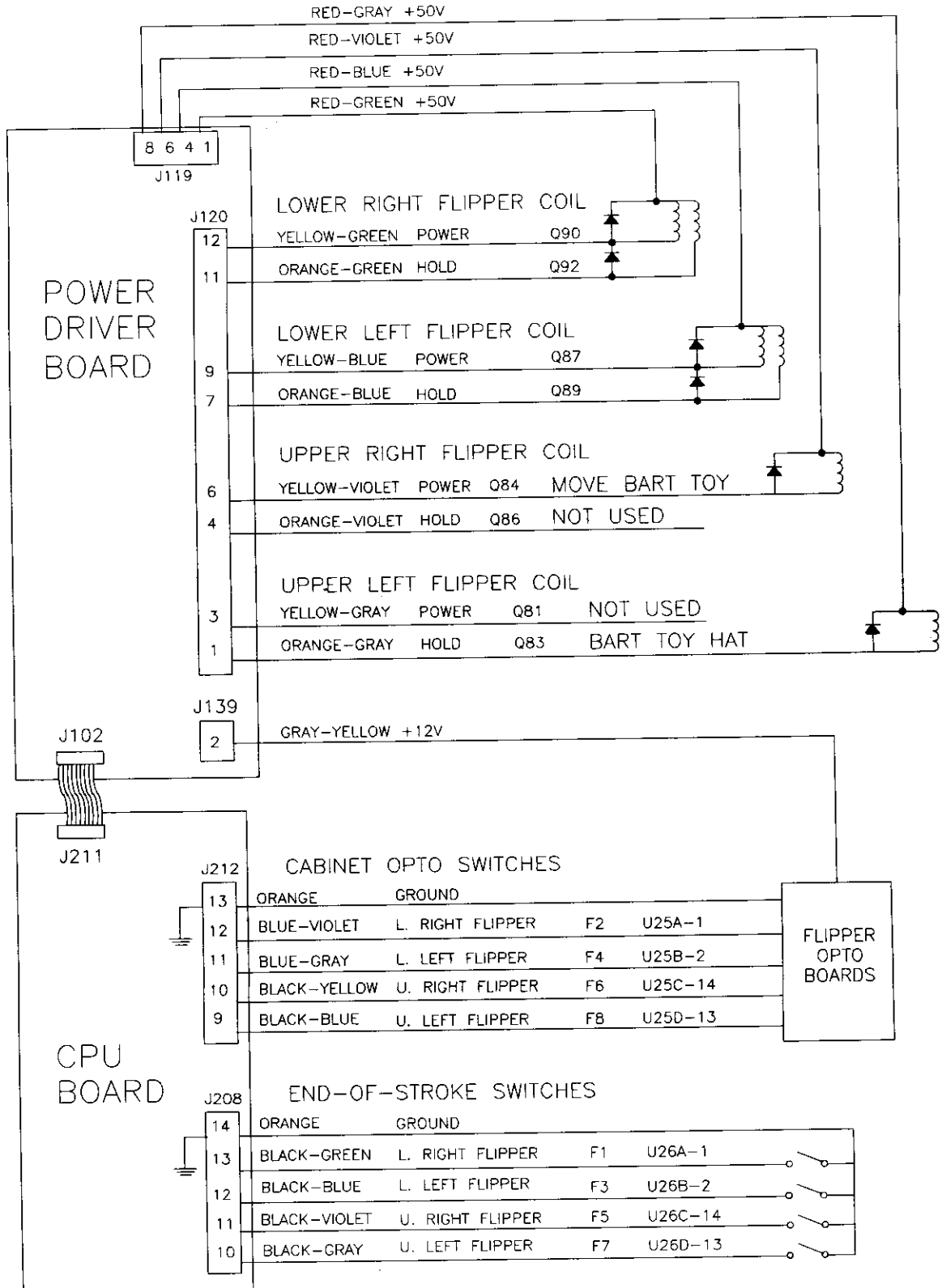
Figure #2

There are five general illumination strings; three like figure #1 and two like figure #2. When point "A" toggles low, points, "B" and "C" are high. This turns on the triac and the desired general illumination string of lights.

BLOCK DIAGRAM OF GENERAL ILLUMINATION CIRCUIT



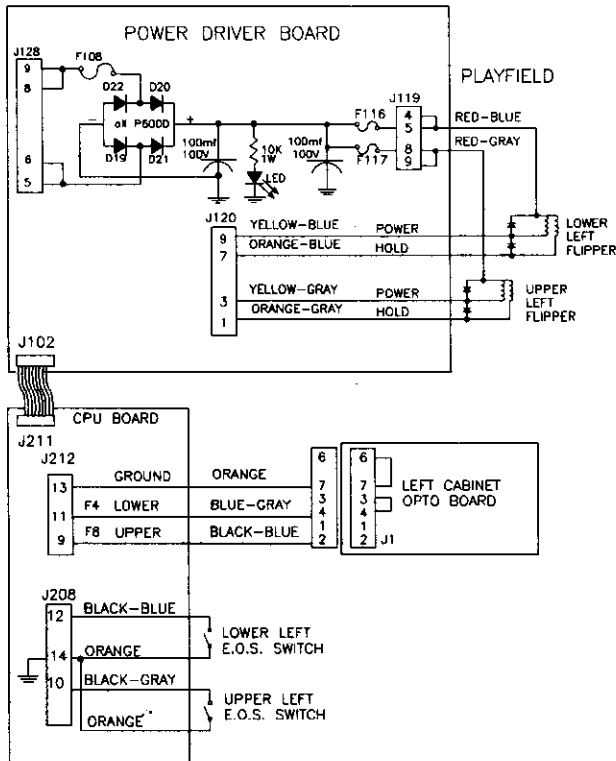
FLIPPER CIRCUIT DIAGRAM



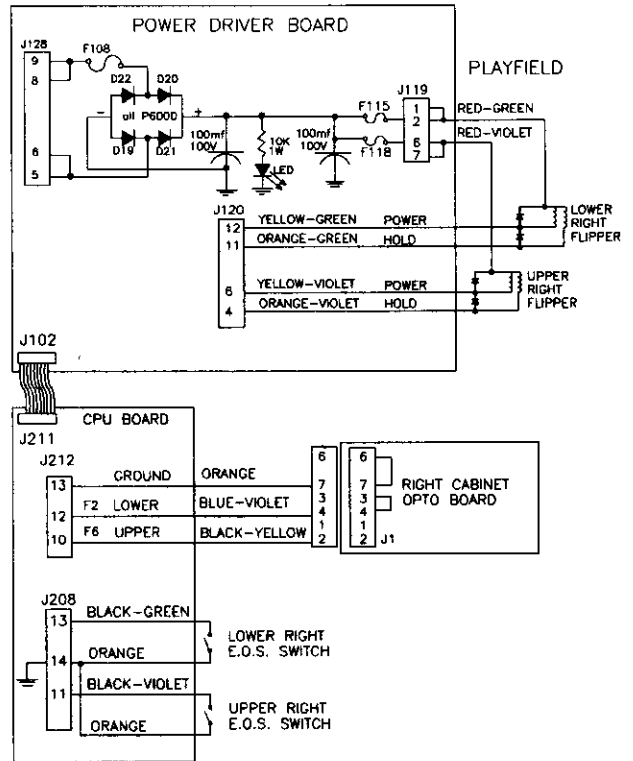
In this game solenoid #33, the upper right flipper power circuit is used as the Move Bart Toy circuit, and solenoid #36, the upper left flipper hold circuit is used as the Bart Toy Hat circuit.

FLIPPER COIL CIRCUITS

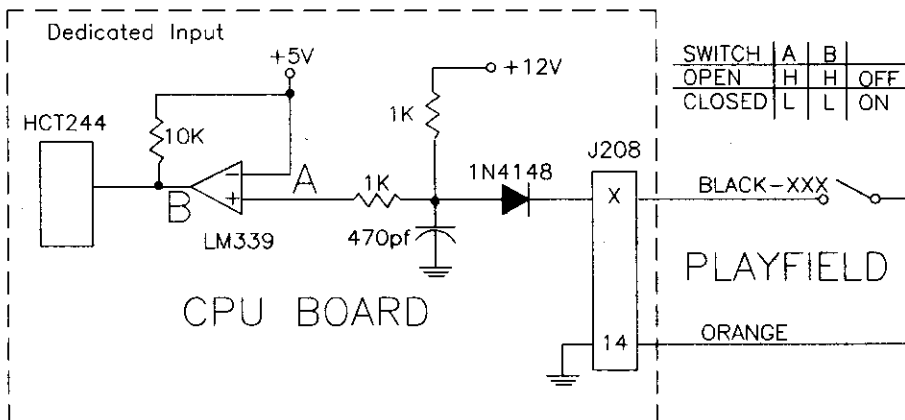
LEFT FLIPPER CIRCUIT



RIGHT FLIPPER CIRCUIT



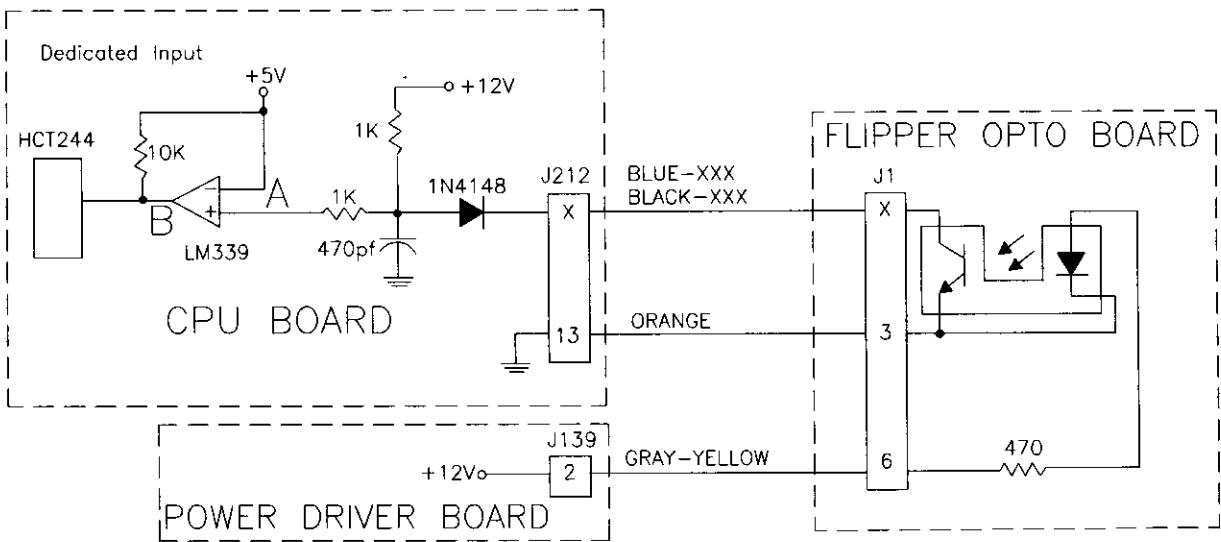
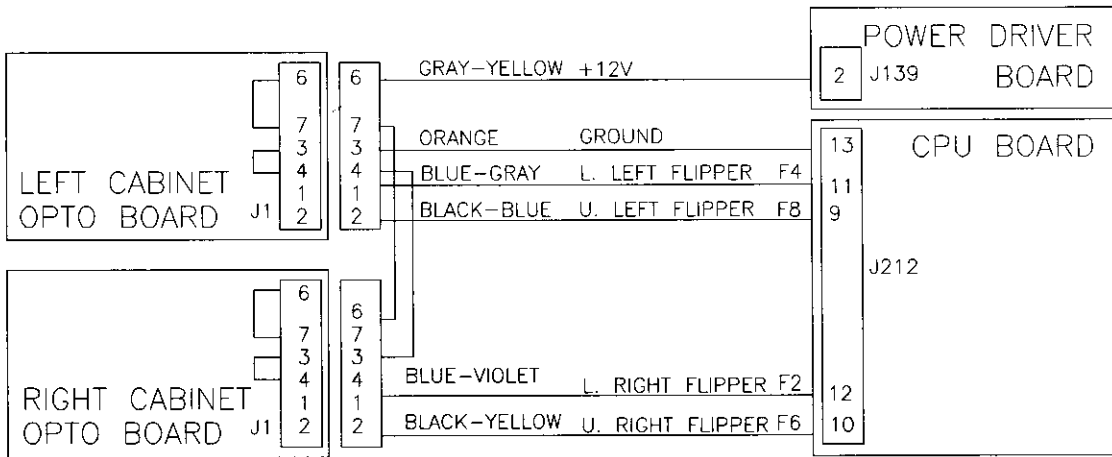
FLIPPER END-OF-STROKE SWITCH CIRCUIT



The flipper E.O.S. circuits operate similar to the dedicated switch circuit. The circuits are active low and tied to ground through the switch.

When a switch closes, the row side, (dedicated input), of the circuit activates. The "+" input of the LM339 drops below +5V therefore its output is low. Since the row (dedicated input), circuit is tied directly to ground through the switch, the switch is considered closed by the microprocessor. When the switch opens, the "+" input to the LM339 is above +5V, its output is high and the row (dedicated input) is inactive.

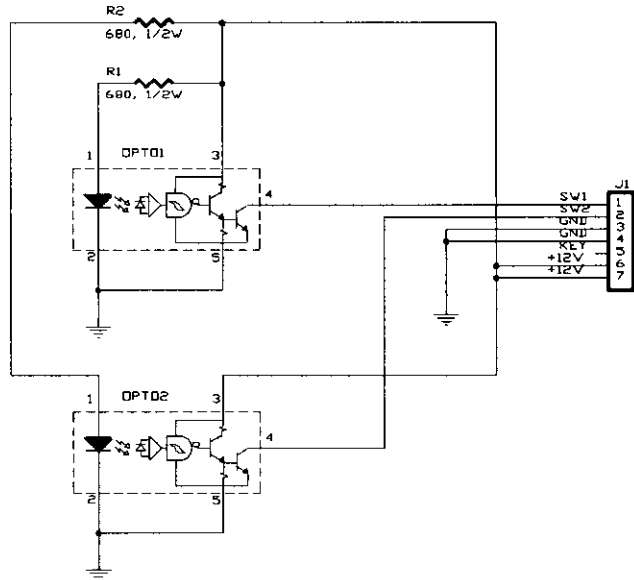
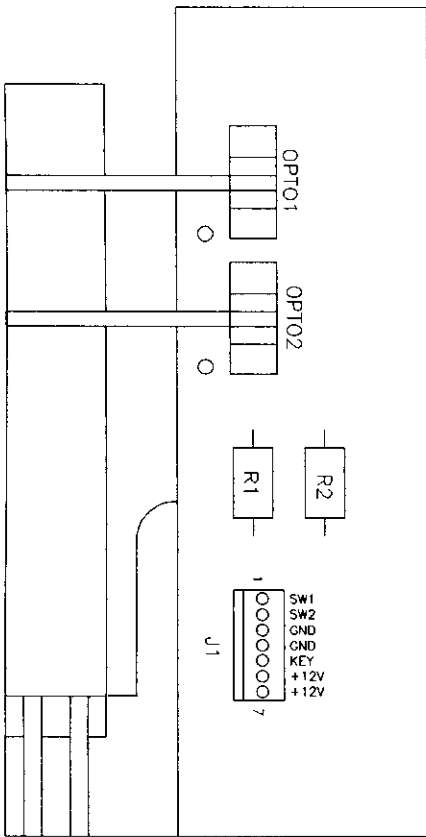
FLIPPER CABINET SWITCH CIRCUITS



The flipper switch circuits operate similar to the dedicated switch circuit. The circuits are active low and tied to ground through the switch circuit.

When a switch closes, the row side (dedicated input) of the circuit activates. The "+" input to the LM339 drops below +5V, therefore, its output is low. Since the row, (dedicated input) circuit is tied directly to ground through the switch, the switch is considered closed by the microprocessor. When the switch opens, the "+" input to the LM339 is above +5V, its output is high and the row, (dedicated Input) is inactive.

FLIPPER OPTO BOARD ASSEMBLY A-17316



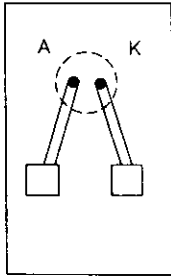
Left Flipper Opto Board Assembly

- J1-1 Black-Blue from CPU board J212-9
- J1-2 Blue-Gray from CPU board J212-11
- J1-3 N/C
- J1-4 Orange from CPU board J212-13
- J1-5 N/C
- J1-6 Gray-Yellow from Power Driver Board J139-2
- J1-7 Gray-Yellow from Power Driver Board J139-2

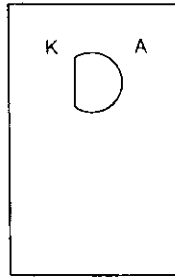
Right Flipper Opto Board Assembly

- J1-1 Black-Yellow from CPU board J212-10
- J1-2 Blue-Violet from CPU board J212-12
- J1-3 Orange from CPU board J212-13
- J1-4 Orange from Left Flipper Opto Board Assy J1-4
- J1-5 N/C
- J1-6 Gray-Yellow from Left Flipper Opto Board Assy J1-6
- J1-7 N/C

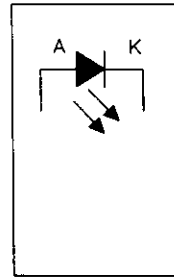
**LED BOARD ASSEMBLY
A-16908
(TRANSMITTER-GREEN BOARD)**



solder side

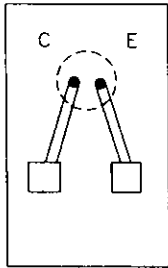


component side

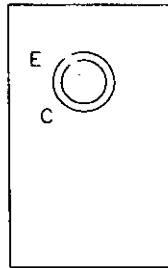


schematic

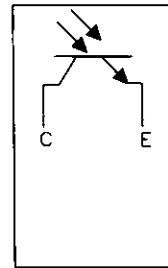
**PHOTO TRANSISTOR BOARD ASSEMBLY
A-16909
(RECEIVER-BLUE BOARD)**



solder side



component side



schematic

TYPICAL CIRCUIT DIAGRAM

LED BOARD
Transmitter
1.0-1.4 volts

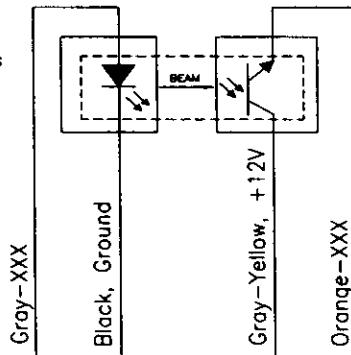
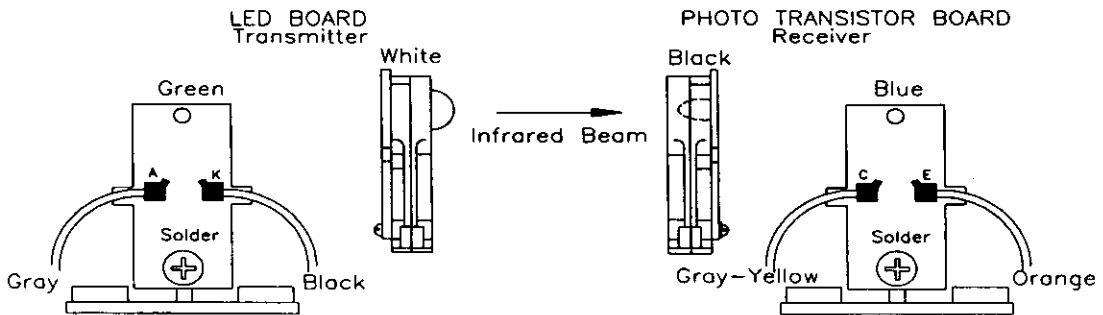
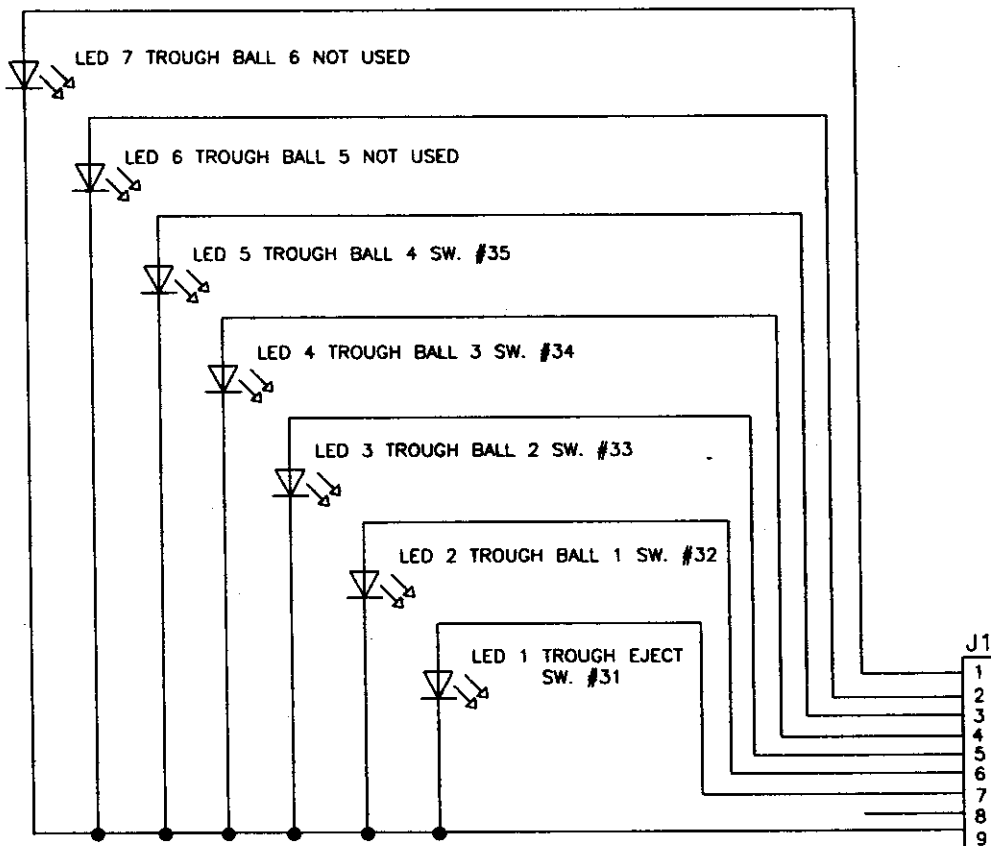
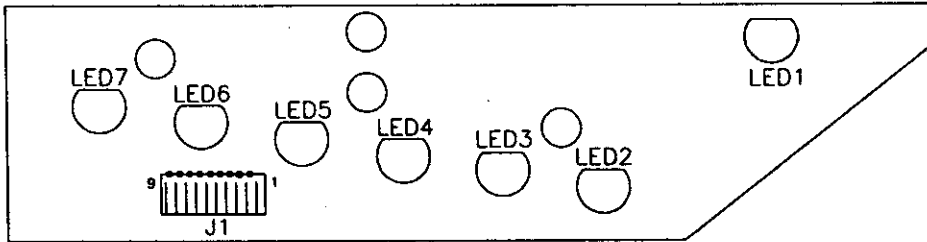


PHOTO TRANSISTOR BOARD
Receiver
0.1-0.7 volts unblocked
11-13 volts blocked

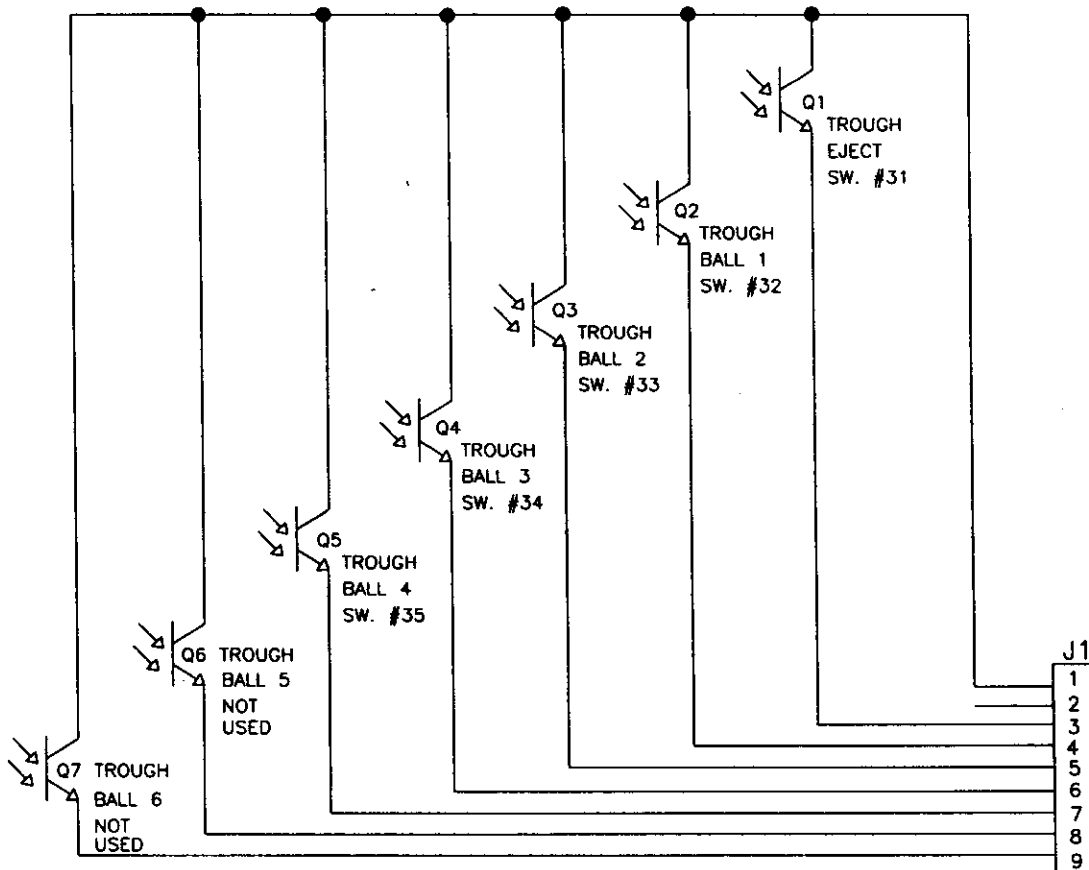
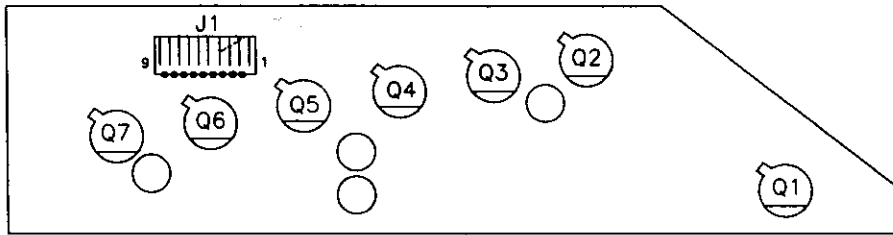


**Trough IR LED Board Assembly
(transmitter - green board)
A-18617-1**



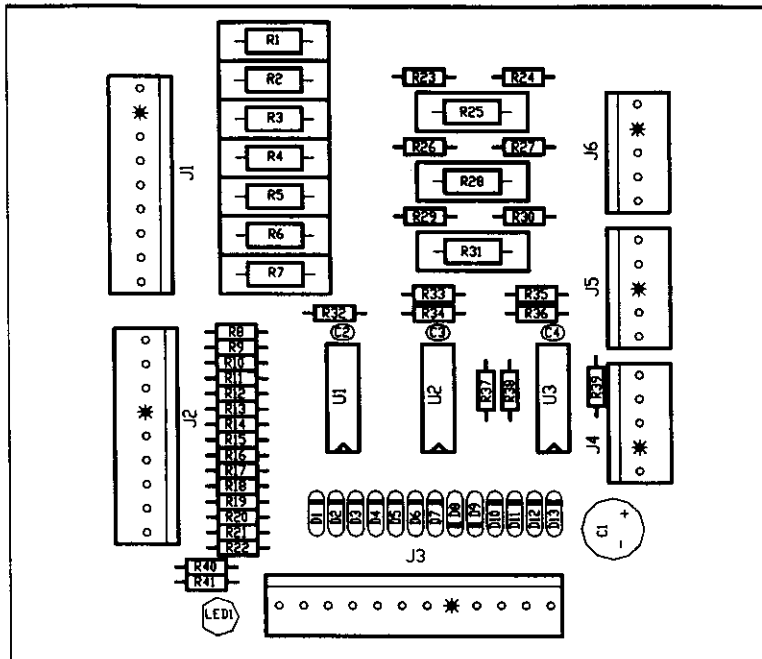
- | | | |
|-------------|----------|--------------------------------------------------------|
| J1-1 | N/C | |
| J1-2 | N/C | |
| J1-3 | GRY-GRN, | For TROUGH BALL 4 switch #35 from 10-Opto Switch Board |
| J1-4 | GRY-BLK, | For TROUGH BALL 3 switch #34 from 10-Opto Switch Board |
| J1-5 | GRY-ORG, | For TROUGH BALL 2 switch #33 from 10-Opto Switch Board |
| J1-6 | GRY-RED, | For TROUGH BALL 1 switch #32 from 10-Opto Switch Board |
| J1-7 | GRY-BRN, | For TROUGH EJECT switch #31 from 10-Opto Switch Board |
| J1-8 | KEY | |
| J1-9 | BLK, | Ground from 10-Opto Switch Board |

**Trough IR Photo Transistor Board Assembly
(receiver - blue board)
A-18618-1**



- | | | |
|-------------|-----------------|--------------------------------------------------------------------|
| J1-1 | GRY-YEL, | +12V from 10-Opto Switch Board J2-1 |
| J1-2 | KEY | |
| J1-3 | ORG-BRN, | For TROUGH EJECT switch #31 from 10-Opto Switch Board J2-8 |
| J1-4 | ORG-RED, | For TROUGH BALL 1 switch #32 from 10-Opto Switch Board J2-7 |
| J1-5 | ORG-BLK, | For TROUGH BALL 2 switch #33 from 10-Opto Switch Board J2-5 |
| J1-6 | ORG-YEL, | For TROUGH BALL 3 switch #34 from 10-Opto Switch Board J2-4 |
| J1-7 | ORG-GRN, | For TROUGH BALL 4 switch #35 from 10-Opto Switch Board J2-3 |
| J1-8 | N/C | |
| J1-9 | N/C | |

10-Opto Switch Board Assembly A-18159.1

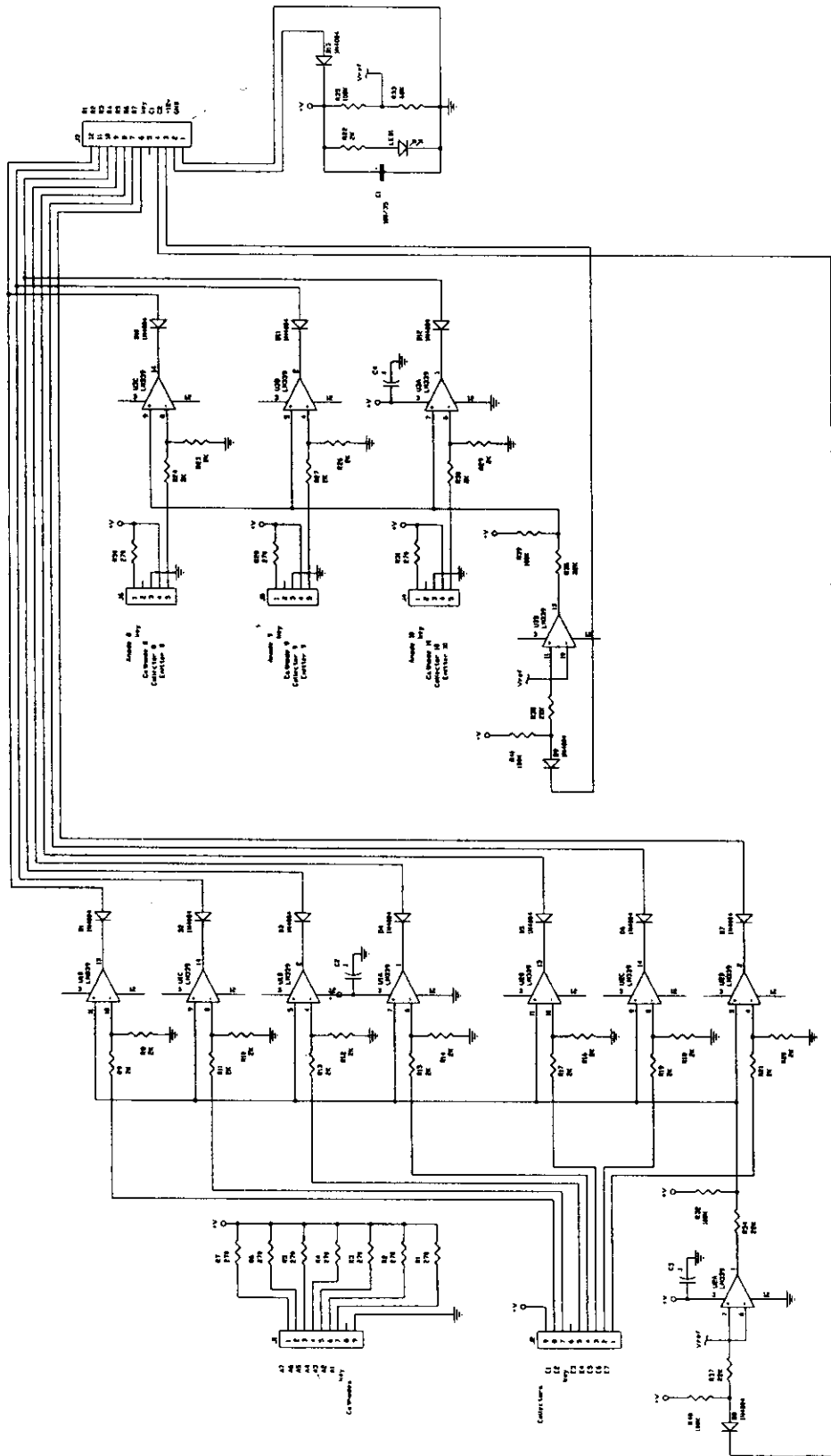


| | | |
|-------------|---------|----------------------------------|
| J1-1 | GRY-VIO | To switch #37 LED board |
| J1-2 | GRY-BLU | To switch #36 LED board |
| J1-3 | GRY-GRN | To switch #35 LED board |
| J1-4 | GRY-BLK | To switch #34 LED board |
| J1-5 | GRY-ORG | To switch #33 LED board |
| J1-6 | GRY-RED | To switch #32 LED board |
| J1-7 | GRY-BRN | To switch #31 LED board |
| J1-8 | KEY | |
| J1-9 | BLK | Ground to LED boards |
| | | |
| J2-1 | ORG-VIO | To switch #37 Photo Trans. board |
| J2-2 | ORG-BLU | To switch #36 Photo Trans. board |
| J2-3 | ORG-GRN | To switch #35 Photo Trans. board |
| J2-4 | ORG-YEL | To switch #34 Photo Trans. board |
| J2-5 | ORG-BLK | To switch #33 Photo Trans. board |
| J2-6 | KEY | |
| J2-7 | ORG-RED | To switch #32 Photo Trans. board |
| J2-8 | ORG-BRN | To switch #31 Photo Trans. board |
| J2-9 | GRY-YEL | +12V to Photo Trans. boards |

| | | |
|-------------|---------|-----------------------------------|
| J4-1 | GRN-BRN | To switch #41 LED board |
| J4-2 | BLK | Ground to switch #41 LED board |
| J4-3 | GRY-YEL | +12 to sw. #41 Photo Trans. board |
| J4-4 | KEY | |
| J4-5 | WHT-BRN | To switch #41 Photo Trans. board |
| | | |
| J5-1 | GRN-RED | To switch #42 LED board |
| J5-2 | BLK | Ground to switch #42 LED board |
| J5-3 | KEY | |
| J5-4 | GRY-YEL | +12V to sw. #42 Photo Trans board |
| J5-5 | WHT-RED | To switch #42 Photo Trans. board |

| | | |
|--------------|---------|---------------------------------|
| J3-1 | BLK | Ground from Power Driver J141-3 |
| J3-2 | GRY-YEL | +12V from Power Driver J141-2 |
| J3-3 | GRN-WHT | Switch Row #4 from CPU J206-4 |
| J3-4 | GRN-ORG | Switch Row #3 from CPU J206-3 |
| J3-5 | KEY | |
| J3-6 | WHT-VIO | Switch Col. #7 from CPU J208-8 |
| J3-7 | WHT-BLU | Switch Col. #6 from CPU J208-7 |
| J3-8 | WHT-GRN | Switch Col. #5 from CPU J208-5 |
| J3-9 | WHT-YEL | Switch Col. #4 from CPU J208-4 |
| J3-10 | WHT-ORG | Switch Col. #3 from CPU J208-3 |
| J3-11 | WHT-RED | Switch Col. #2 from CPU J208-2 |
| J3-12 | WHT-BRN | Switch Col. #1 from CPU J208-1 |

10-Opto Switch Board Schematic A-18159.1



Switch Individual Playfield Opto Switch Wiring Diagram

This diagram shows the wiring for individual playfield opto switches only. See the next page for the wiring diagram for the ball trough opto switches.

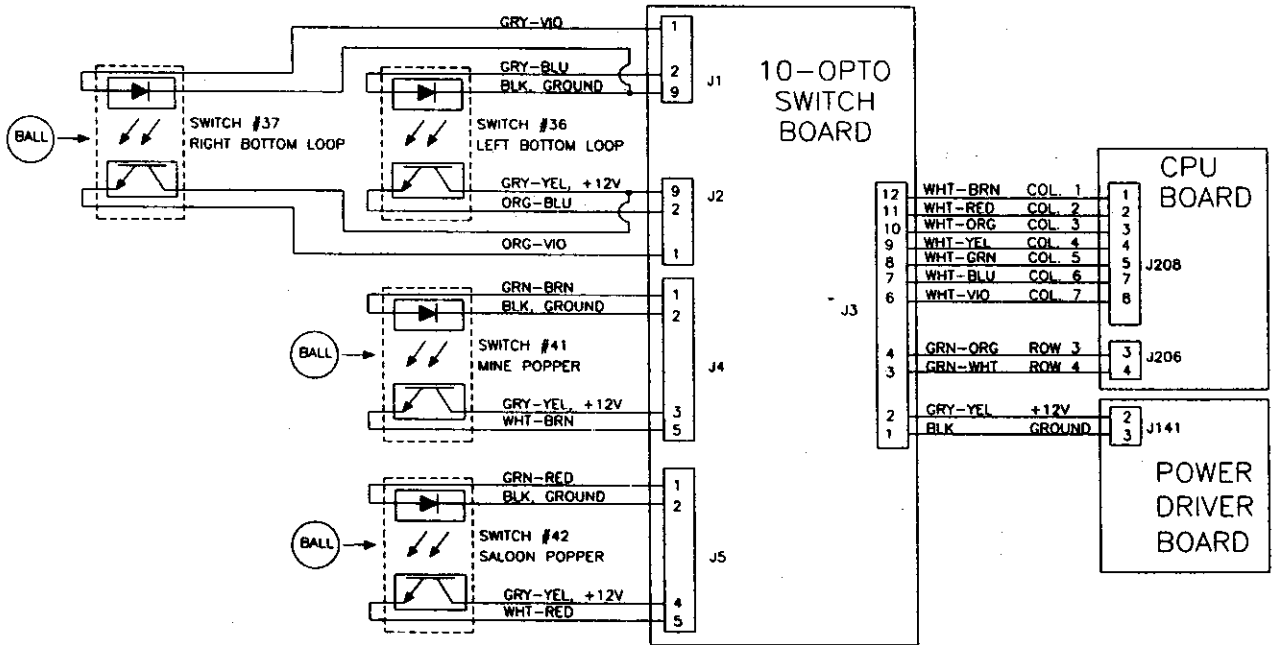
The individual playfield opto switches are:

- Switch 36 Left Bottom Loop
- Switch 37 Right Bottom Loop
- Switch 41 Mine Popper
- Switch 42 Saloon Popper

Each of these switches uses a green LED board (p/n A-16908), and a blue Photo Transistor board (p/n A-16909).

OPTO SWITCH OPERATION:

The ball rolls between the LED board and the Photo Transistor board and breaks the beam. The broken beam 'makes' the switch.



Ball Trough Opto Switches Wiring Diagram

This diagram shows the opto switches for the ball trough assembly only. See the previous page for the individual ballfield opto switches.

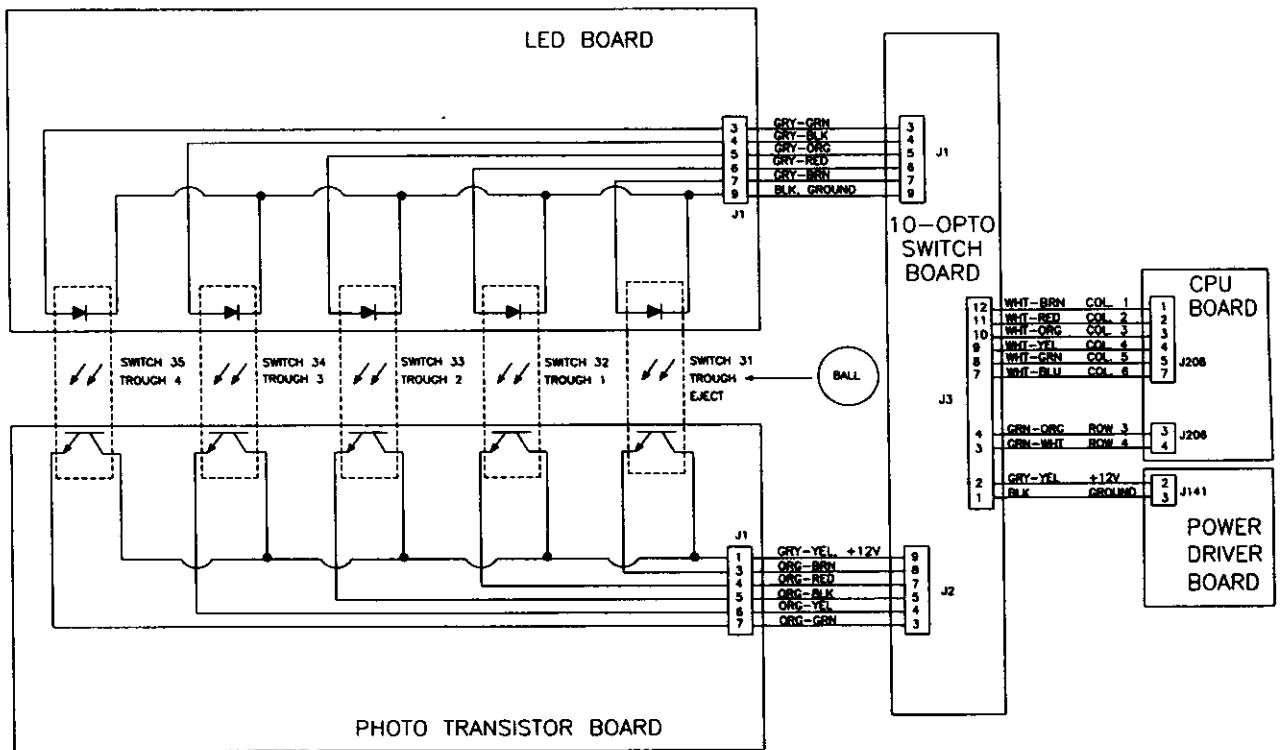
The ball trough opto switches are:

- Switch 31 Trough Eject
- Switch 32 Trough Ball 1
- Switch 33 Trough Ball 2
- Switch 34 Trough Ball 3
- Switch 35 Trough Ball 4

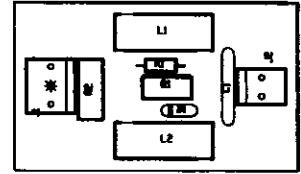
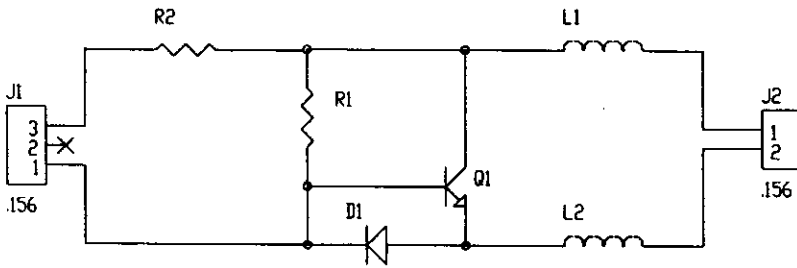
The ball trough switches use a green LED board (p/n A-18617-1), and a blue Photo Transistor board (p/n A-18618-1).

OPTO SWITCH OPERATION:

The ball rolls between the LED board and the Photo Transistor board and breaks the beam. The broken beam 'makes' the switch.



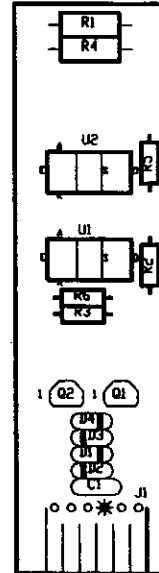
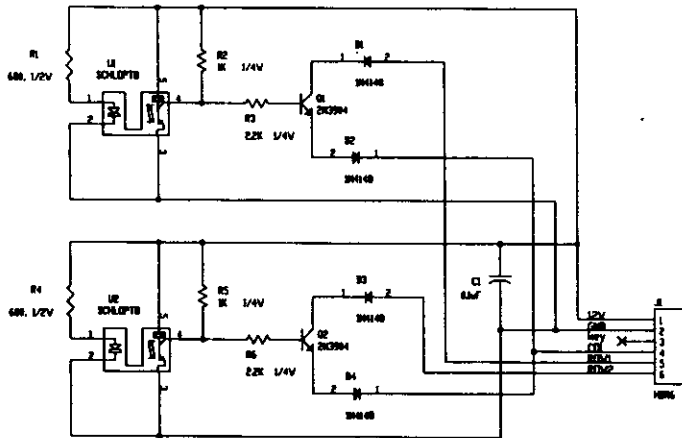
**Motor EMI Board
04-12330
(For Mine Motor)**



J1-1 BLK-BRN From Power Driver board J111-1
 J1-2 N/C
 J1-3 GRY-YEL +12V from Power Driver Board J140-2

J2-1 RED To Motor "+" Terminal
 J2-2 BLK To Motor "-" Terminal

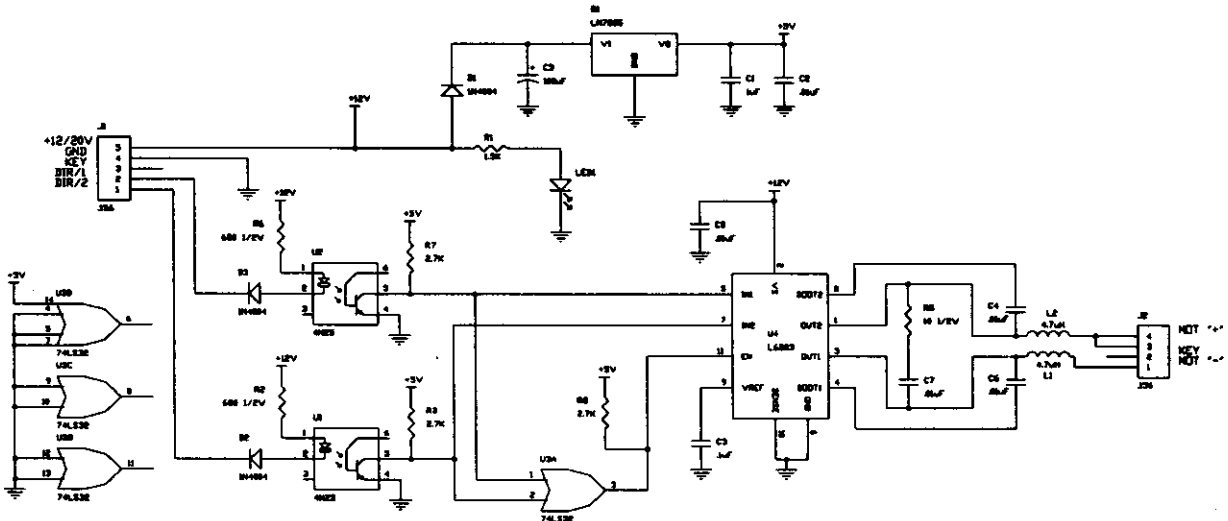
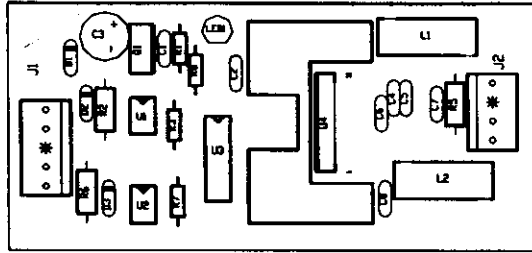
**Mine Dual Opto Board
A-22443
(For Mine Motor)**



J1-1 GRY-YEL +12V from Power Driver board J141-2
 J1-2 BLK Ground from Power Driver board J141-3
 J1-3 KEY

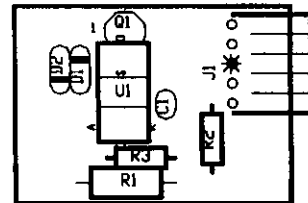
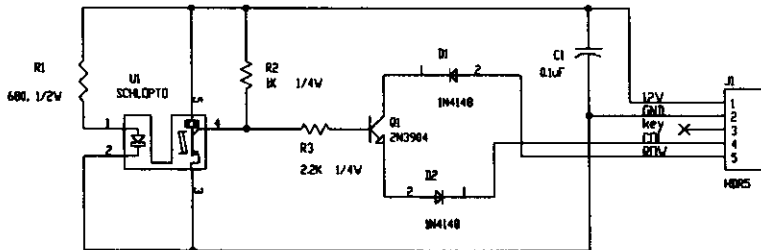
J1-4 GRN-VIO Sw. col. #7 from CPU board J206-7
 J1-5 WHT-VIO Sw. row #7 from CPU board J208-8
 J1-6 WHT-GRY Sw. col. #8 from CPU board J208-9

D.C. Motor Control Assembly A-16120 (For Train Motor)



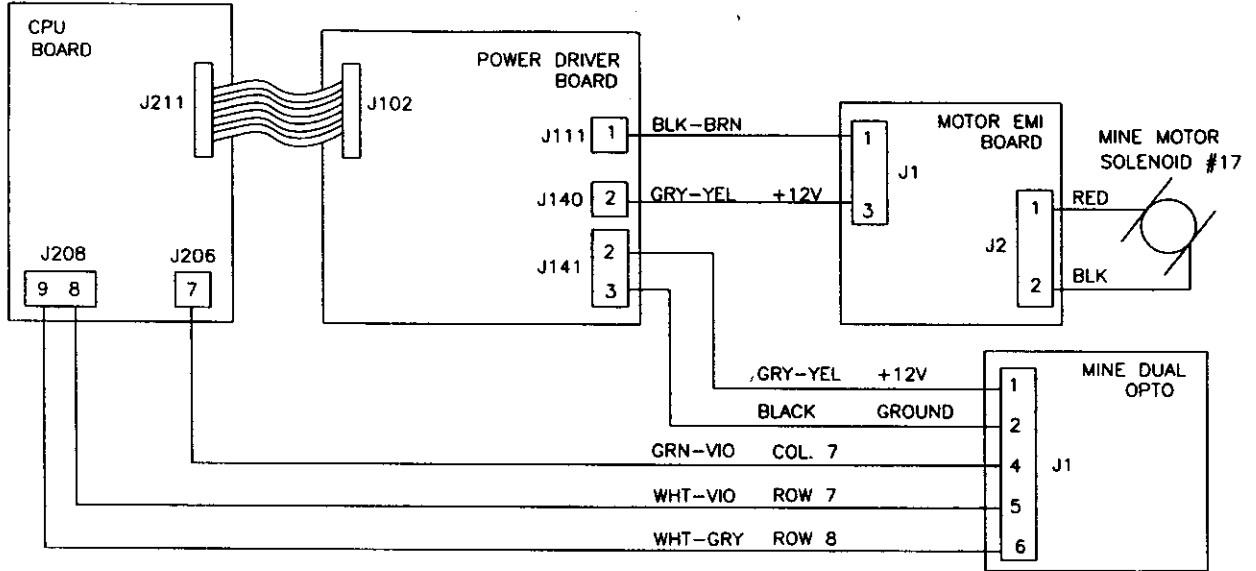
- | | |
|----------------------------------------------------------------------------------------------------------------------------------------------------------------------------------------------------------------------------------------------------------------|----------------------------------------------------------------------------------------------------------------------------------|
| <p>J1-1 BRN-WHT From Power Driver board J110-1 J1-2 ORG-WHT From Power Driver board J110-3 J1-3 KEY J1-4 BLK Ground from Power Driver board J141-3 J1-5 GRY-YEL +12V from Power Driver Board J141-2</p> | <p>J2-1 RED To Motor "+" Terminal J2-2 KEY J2-3 NC J2-4 BLK To Motor "-" Terminal</p> |
|----------------------------------------------------------------------------------------------------------------------------------------------------------------------------------------------------------------------------------------------------------------|----------------------------------------------------------------------------------------------------------------------------------|

Schmitt Opto Interrupt A-22407 (For Train Motor)

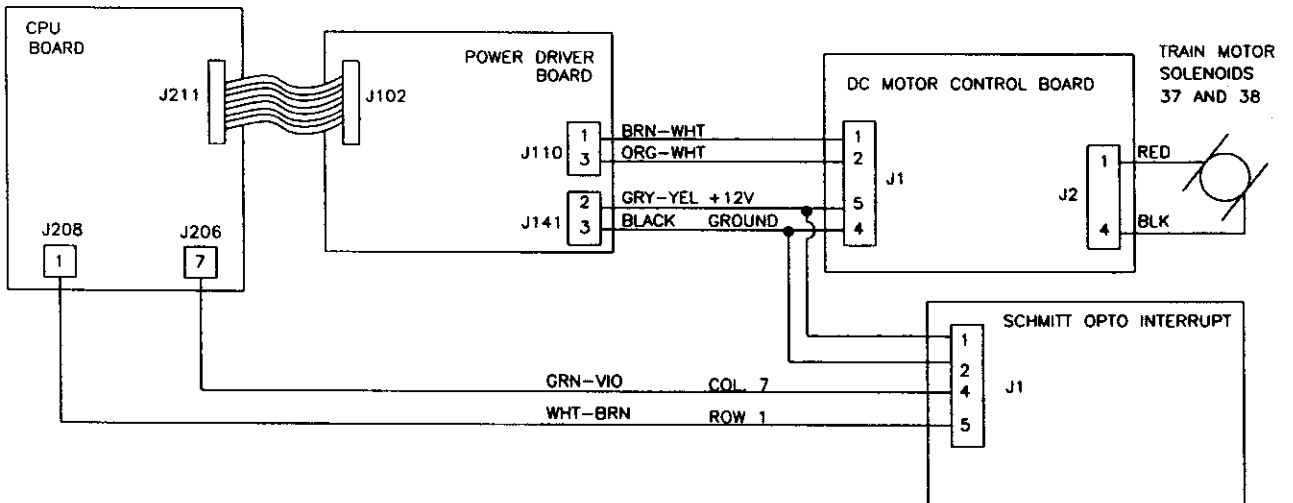


- J1-1** GRY-YEL +12V from Power Driver board J141-2
J1-2 BLK Ground from Power Driver board J141-3
J1-3 KEY
J1-4 GRN-VIO Sw. col. #7 from CPU board J206-7
J1-5 WHT-BRN Sw. row #1 from CPU board J208-1

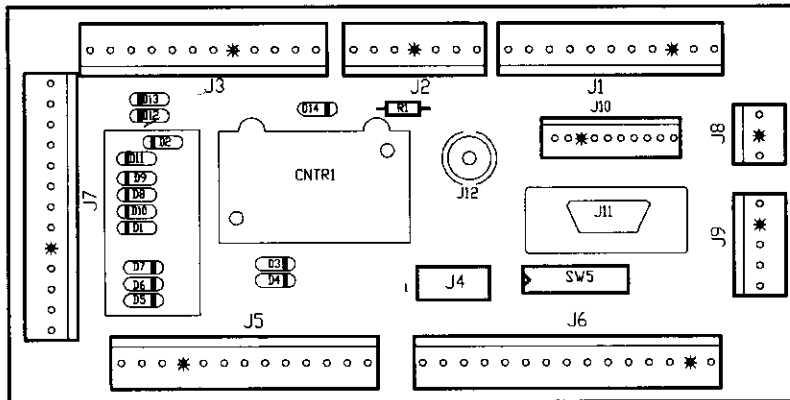
MINE MOTOR CIRCUIT



TRAIN MOTOR CIRCUIT

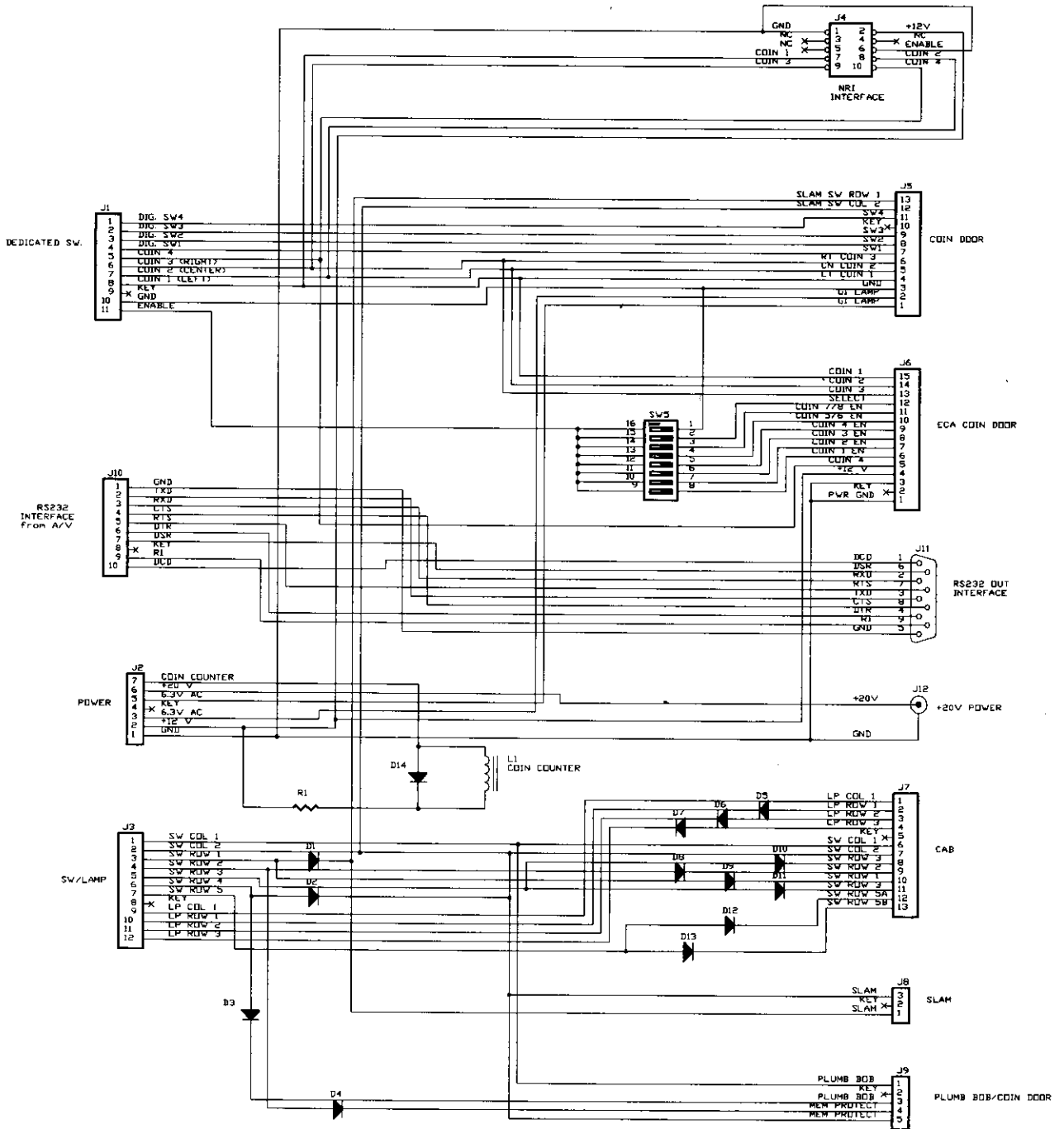


Coin Door Interface Board A-20580

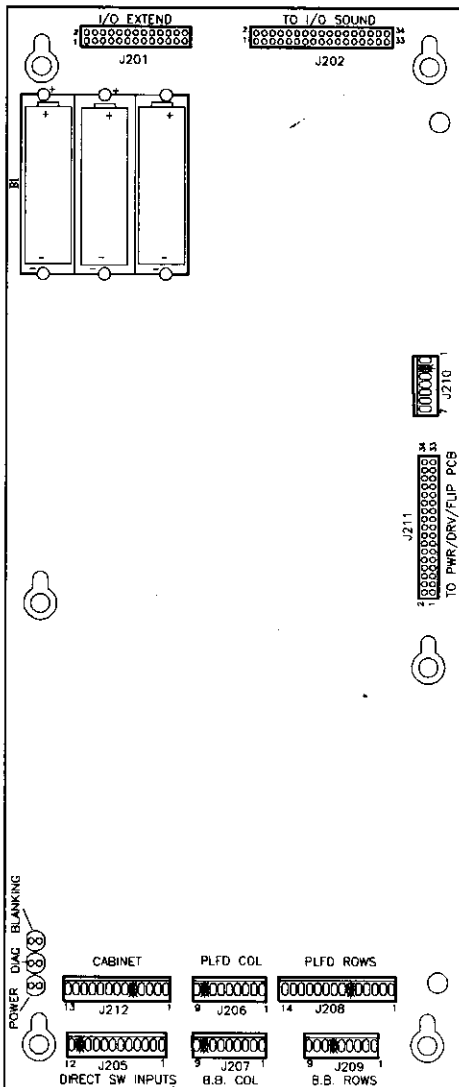


| | | | | | |
|-------|----------|-------------------------------------------------------|-------|--------------|-----------------------------------------|
| J1-1 | ORG-GRY | Dedicated sw row #8 from CPU J205-9. | J6 | NOT USED | |
| J1-2 | ORG-VIO | Dedicated sw row #7 from CPU J205-8. | J7-1 | YEL-GRY | Lamp column #8 to cabinet. |
| J1-3 | ORG-BLU | Dedicated sw row #6 from CPU J205-7. | J7-2 | N/C | |
| J1-4 | ORG-GRN | Dedicated sw row #5 from CPU J205-6. | J7-3 | N/C | |
| J1-5 | ORG-YEL | Dedicated sw row #4 from CPU J205-4. | J7-4 | RED-GRY | Lamp row #8 to cabinet. |
| J1-6 | ORG-BLK | Dedicated sw row #3 from CPU J205-3. | J7-5 | KEY | |
| J1-7 | ORG-RED | Dedicated sw row #2 from CPU J205-2. | J7-6 | GRN-BRN | Switch column #1 to cabinet. |
| J1-8 | ORG-BRN | Dedicated sw row #1 from CPU J205-1. | J7-7 | N/C | |
| J1-9 | KEY | | J7-8 | N/C | |
| J1-10 | BLK | Ground from CPU J205-10 | J7-9 | N/C | |
| J1-11 | ORG-WHT | Switch enable from CPU J205-12. | J7-10 | N/C | |
| J2-1 | BLK | Ground from Power Driver board J139-3. | J7-11 | WHT-ORG | Switch row #3 to cabinet. |
| J2-2 | GRY-YEL | +12VAC from Power Driver board J139-2. | J7-12 | N/C | |
| J2-3 | WHT-VIO | 6.8VAC from Power Driver board J104-1. | J7-13 | N/C | |
| J2-4 | KEY | | J8-1 | WHT | Switch row to cabinet for Slam Tilt. |
| J2-5 | VIO | For G.I. from Power Driver board J104-3. | J8-2 | KEY | |
| J2-6 | N/C | | J8-3 | GRN | Switch column to cabinet for Slam Tilt. |
| J2-7 | BLK-WHT | Signal for coin meter from Power Driver board J139-5. | J9-1 | WHT-YEL | Switch row #4 to Plumb Bob Tilt. |
| J3-1 | GRN-BRN | Switch column #1 from CPU J212-1. | J9-2 | KEY | |
| J3-2 | GRN-RED | Switch column #2 from CPU J212-2. | J9-3 | GRN-BRN | Switch column #1 to Plumb Bob Tilt. |
| J3-3 | WHT-BRN | Switch row #1 from CPU J212-4. | J9-4 | WHT-RED | Switch row #2 to Interlock Switch. |
| J3-4 | WHT-RED | Switch row #2 from CPU J212-5. | J9-5 | GRN-RED | Switch column #2 to Interlock Switch. |
| J3-5 | WHT-ORG | Switch row #3 from CPU J212-6. | J10 | Ribbon cable | To cash flow mechanism (if used). |
| J3-6 | WHT-YEL | Switch row #4 from CPU J212-7. | | | |
| J3-7 | KEY | | | | |
| J3-8 | YEL-GRY | Lamp col #8 from Pwr Drvr brd J122-3. | | | |
| J3-9 | RED-BLU | Lamp row #6 from Pwr Drvr brd J125-7. | | | |
| J3-10 | RED-VIO | Lamp row #7 from Pwr Drvr brd J125-8. | | | |
| J3-11 | RED-GRY | Lamp row #8 from Pwr Drvr brd J125-9. | | | |
| J4 | NOT USED | | | | |
| J5-1 | VIO | Return to coin door. | | | |
| J5-2 | WHT-VIO | 6.8VAC for G.I. to coin door. | | | |
| J5-3 | BLK | Ground to coin door. | | | |
| J5-4 | ORG-BRN | Dedicated switch row #1 to coin door. | | | |
| J5-5 | ORG-RED | Dedicated switch row #2 to coin door. | | | |
| J5-6 | ORG-BLK | Dedicated switch row #3 to coin door. | | | |
| J5-7 | ORG-GRN | Dedicated switch row #5 to coin door. | | | |
| J5-8 | ORG-BLU | Dedicated switch row #6 to coin door. | | | |
| J5-9 | ORG-VIO | Dedicated switch row #7 to coin door. | | | |
| J5-10 | KEY | | | | |
| J5-11 | ORG-GRY | Dedicated switch row #8 to coin door. | | | |
| J5-12 | GRN-RED | Switch column #2 to coin door Slam Tilt. | | | |
| J5-13 | WHT-BRN | Switch row #1 to coin door Slam Tilt. | | | |

Coin Door Interface Board Schematic A-20580



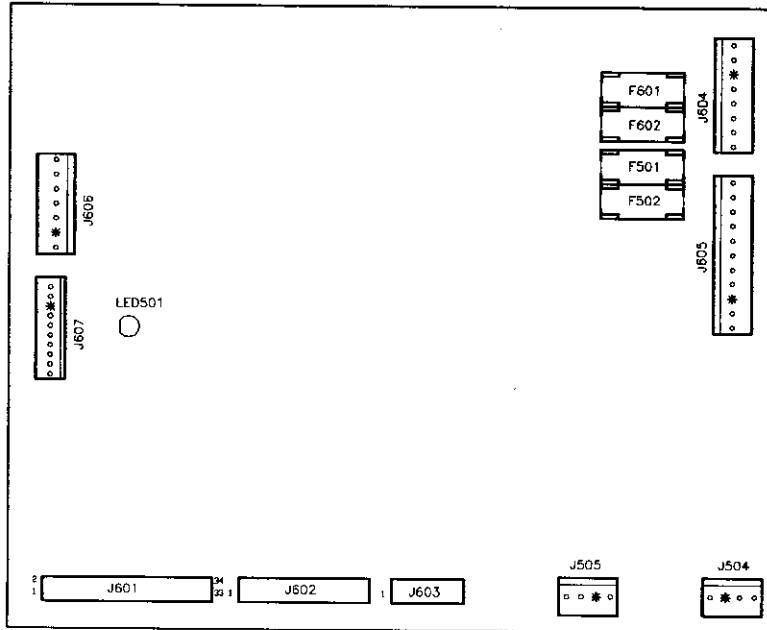
Security CPU Board Assembly A-21377-50066



- J201 26-pin ribbon cable Data to/from J602.
- J202 34-pin ribbon cable Data to/from J601.
- J203 & J204 NOT USED
- J205-1 ORG-BRN Dedicate sw row #1 to Coin Door brd J1-8.
- J205-2 ORG-RED Dedicate sw row #2 to Coin Door brd J1-7.
- J205-3 ORG-BLK Dedicate sw row #3 to Coin Door brd J1-6.
- J205-4 ORG-YEL Dedicate sw row #4 to Coin Door brd J1-5.
- J205-5 N/C
- J205-6 ORG-GRN Dedicate sw row #5 to Coin Door brd J1-4.
- J205-7 ORG-BLU Dedicate sw row #6 to Coin Door brd J1-3.
- J205-8 ORG-VIO Dedicate sw row #7 to Coin Door brd J1-2.
- J205-9 ORG-GRY Dedicate sw row #8 to Coin Door brd J1-1.
- J205-10 BLK Ground to Coin Door board J1-10.
- J205-11 KEY
- J205-12 ORG-WHT Switch enable to Coin Door brd J1-11.

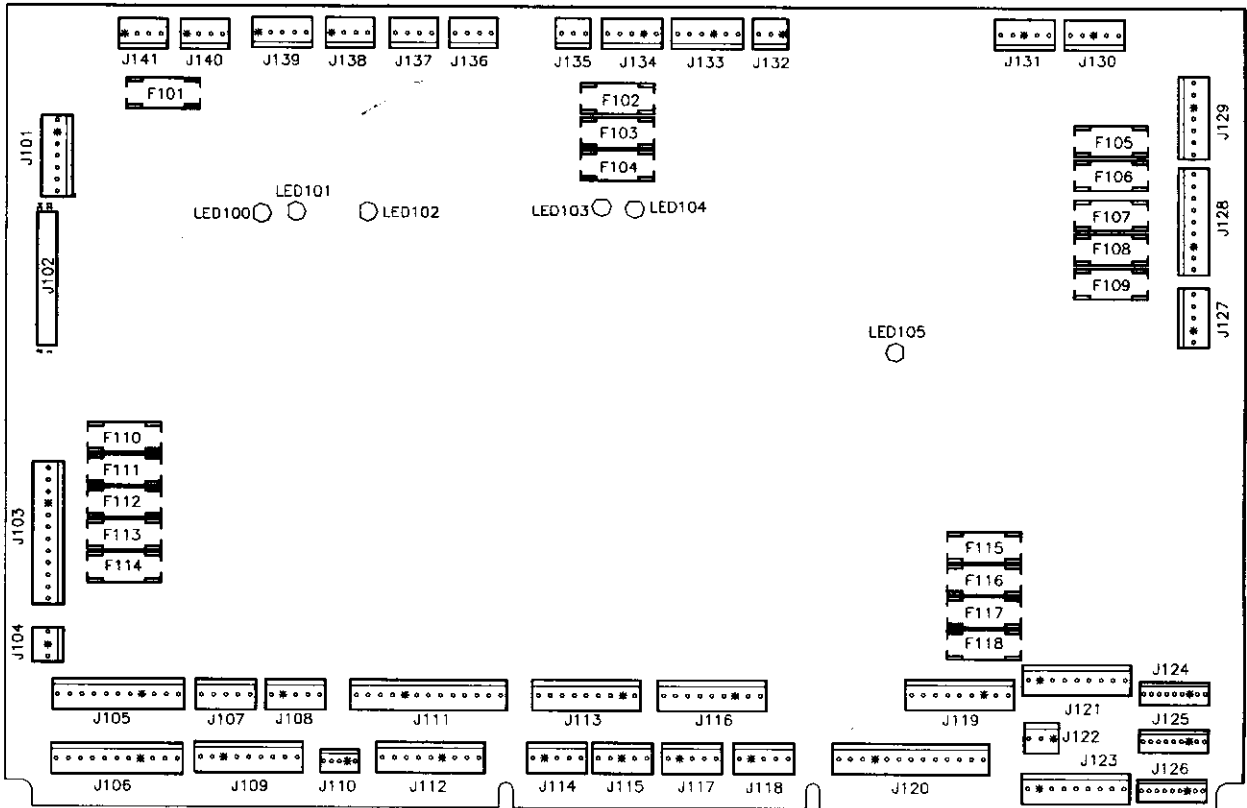
- J206-1 GRN-BRN Switch column #1 to playfield switches.
- J206-2 GRN-RED Switch column #2 to playfield switches.
- J206-3 GRN-ORG Switch column #3 to playfield switches.
- J206-4 GRN-WHT Switch column #4 to playfield switches.
- J206-5 GRN-BLK Switch column #5 to playfield switches.
- J206-6 GRN-BLU Switch column #6 to playfield switches.
- J206-7 GRN-VIO Switch column #7 to playfield switches.
- J206-8 KEY
- J206-9 GRN-GRY Switch Column #8 to playfield switches
- J207 NOT USED
- J208-1 WHT-BRN Switch row #1 to playfield switches.
- J208-2 WHT-RED Switch row #2 to playfield switches.
- J208-3 WHT-ORG Switch row #3 to playfield switches.
- J208-4 WHT-YEL Switch row #4 to playfield switches.
- J208-5 WHT-GRN Switch row #5 to playfield switches.
- J208-6 KEY
- J208-7 WHT-BLU Switch row #6 to playfield switches.
- J208-8 WHT-VIO Switch row #7 to playfield switches.
- J208-9 WHT-GRY Switch row #8 to playfield switches.
- J208-10 N/C
- J208-11 N/C
- J208-12 BLK-BLU To lower left E.O.S. switch #F3.
- J208-13 BLK-GRN To lower right E.O.S. switch #F1.
- J208-14 ORG E.O.S. switch ground.
- J209 NOT USED
- J210-1 BLK Ground from Power Driver brd J101-5, 7.
- J210-2 KEY
- J210-3 BLK Ground from Power Driver brd J101-5, 7.
- J210-4 GRY +5V from Power Driver board J101-3, 4.
- J210-5 GRY +5V from Power Driver board J101-3, 4.
- J210-6 GRY-GRN +12V from Power Driver board J101-1, 2.
- J210-7 GRY-GRN +12V from Power Driver board J101-1, 2.
- J211 34-pin ribbon cable Data to/from J102 Power Driver board
- J212-1 GRN-BRN Switch col. #1 to Coin Door board J3-1.
- J212-2 GRN-RED Switch col. #2 to Coin Door board J3-2.
- J212-3 N/C
- J212-4 WHT-BRN Switch row #1 to Coin Door board J3-3.
- J212-5 KEY
- J212-6 WHT-RED Switch row #2 to Coin Door board J3-4.
- J212-7 WHT-ORG Switch row #3 to Coin Door board J3-5.
- J212-8 WHT-YEL Switch row #4 to Coin Door board J3-6.
- J212-9 BLK-BLU To switch #F8 left flipper opto brd J1-1.
- J212-10 BLK-YEL To switch #F6 right flipper opto brd J1-1.
- J212-11 BLU-GRY To switch #F4 left flipper opto brd J1-2.
- J212-12 BLU-VIO To switch #F2 right flipper opto brd J1-2.
- J212-13 ORG Ground to left flipper opto board J1-4.

Audio Visual Board Assembly A-20516-50066



| | | | | | |
|---------|---------------------|-----------------------------------------------|--------|---------|--------------------|
| J601 | 34-pin ribbon cable | Data to/from CPU J202. | J504-1 | BLK-YEL | Signal to speaker. |
| J602 | 26-pin ribbon cable | Data to/from CPU J201. | J504-2 | KEY | |
| J603 | 14-pin ribbon cable | Data to/from Dot Matrix Display Driver board. | J504-3 | N/C | |
| | | | J504-4 | BLK | Signal to speaker. |
| J604-1 | ORG | +125V to Dot Matrix Display | J505-1 | BLK-YEL | Signal to speaker. |
| J604-2 | BLU | +113V to Dot Matrix Display | J505-2 | KEY | |
| J604-3 | KEY | | J505-3 | N/C | |
| J604-4 | BLK | Ground to Dot Matrix Display | J505-4 | BLK | Signal to speaker. |
| J604-5 | BLK | Ground to Dot Matrix Display | | | |
| J604-6 | GRY | +5V to Dot Matrix Display | | | |
| J604-7 | GRY-YEL | +12V to Dot Matrix Display | | | |
| J604-8 | BRN | +62V to Dot Matrix Display | | | |
| J605-1 | WHT | 80VAC from transformer secondary. | | | |
| J605-2 | WHT | 80VAC from transformer secondary. | | | |
| J605-3 | VIO | 100VAC from transformer secondary. | | | |
| J605-4 | VIO | 100VAC from transformer secondary. | | | |
| J605-5 | GRY-WHT | 18VAC from transformer secondary. | | | |
| J605-6 | GRY-WHT | Loop from J605-7. | | | |
| J605-7 | GRY | 18VAC from transformer secondary. | | | |
| J605-8 | GRY | Loop from J605-7. | | | |
| J605-9 | KEY | | | | |
| J605-10 | GRY-GRN | 18VAC from transformer secondary. | | | |
| J605-11 | GRY-GRN | Loop from J605-10. | | | |
| J606-1 | BLK | Ground form Power Driver brd J101-7. | | | |
| J606-2 | KEY | | | | |
| J606-3 | BLK | Ground from Power Driver brd J101-5. | | | |
| J606-4 | GRY | +5V from Power Driver board J101-4. | | | |
| J606-5 | GRY | +5V from Power Driver board J101-3. | | | |
| J606-6 | GRY-GRN | +12V from Power Driver board J101-2. | | | |
| J606-7 | GRY-GRN | +12V from Power Driver board J101-1. | | | |
| J607 | NOT USED | | | | |

Power Driver Board Assembly A-20028



| | | | | | |
|---------|---------------------|------------------------------------------|---------|----------|--------------------------------------|
| J101-1 | GRY-GRN | +12V to J210-6, 7; J606-1. | J105-1 | BRN | Return for G.I. to insert panel. |
| J101-2 | GRY-GRN | +12V to J210-6, 7; J606-2. | J105-2 | ORG | Return for G.I. to insert panel. |
| J101-3 | GRY | +5V to J210-4, 5; J3-1, 3; J606-3. | J105-3 | YEL | Return for G.I. to insert panel. |
| J101-4 | GRY | +5V to J210-4, 5; J3-1, 3; J606-4. | J105-4 | KEY | |
| J101-5 | BLK | Ground to J210-1, 3; J606-5. | J105-5 | N/C | |
| J101-6 | KEY | | J105-6 | N/C | |
| J101-7 | BLK | Ground to J210-1,3; J606-7. | J105-7 | WHT-BRN | 6.8VAC for G.I. to insert panel. |
| | | | J105-8 | WHT-ORG | 6.8VAC for G.I. to insert panel. |
| J102 | 34-pin ribbon cable | Data to/from CPU J211. | J105-9 | WHT-YEL | 6.8VAC for G.I. to insert panel. |
| | | | J105-10 | N/C | |
| J103-1 | YEL-WHT | 6.8Vac from transformer secondary. | J105-11 | N/C | |
| J103-2 | WHT-BRN | 6.8Vac from transformer secondary. | J106-1 | N/C | |
| J103-3 | WHT-BRN | 6.8Vac from transformer secondary. | J106-2 | N/C | |
| J103-4 | WHT-ORG | 6.8Vac from transformer secondary. | J106-3 | N/C | |
| J103-5 | WHT-YEL | 6.8Vac from transformer secondary. | J106-4 | KEY | |
| J103-6 | WHT-YEL | 6.8Vac from transformer secondary. | J106-5 | GRN | Return for G.I. to playfield. |
| J103-7 | ORG | 6.8Vac from transformer secondary. | J106-6 | VIO | Return for G.I. to playfield. |
| J103-8 | ORG | 6.8Vac from transformer secondary. | J106-7 | N/C | |
| J103-9 | KEY | | J106-8 | N/C | |
| J103-10 | GRN | 6.8Vac from transformer secondary. | J106-9 | N/C | |
| J103-11 | BRN | 6.8Vac from transformer secondary. | J106-10 | WHT-GRN | 6.8VAC for G.I. to playfield. |
| J103-12 | BRN | 6.8Vac from transformer secondary. | J106-11 | WHT-VIO | 6.8VAC for G.I. to playfield. |
| J104-1 | WHT-VIO | 6.8VAC for G.I. to Coin Door brd J2-5. | J107 | NOT USED | |
| J104-2 | KEY | | J108-1 | NC | |
| J104-3 | VIO | Return for G.I. to Coin Door board J2-3. | J108-2 | BLU-RED | Solenoid #26 drive to insert flasher |
| | | | J108-3 | BLU-ORG | Solenoid #27 drive to insert flasher |
| | | | J108-4 | KEY | |
| | | | J108-5 | BLU-YEL | Solenoid #28 drive to insert flasher |

Power Driver Board Continued...

| | | | | | |
|---------|----------|-----------------------------------------|---------|----------|-----------------------------------------------|
| J109-1 | BLU-BRN | Solenoid #25 drive to playfield flasher | J119-1 | RED-GRN | +50V to lower right flipper coil. |
| J109-2 | BLU-RED | Solenoid #26 drive to playfield flasher | J119-2 | RED-GRN | Loop from J119-1. |
| J109-3 | BLU-ORG | Solenoid #27 drive to playfield flasher | J119-3 | KEY | |
| J109-4 | BLU-YEL | Solenoid #28 drive to playfield flasher | J119-4 | RED-BLU | +50V to lower left flipper coil. |
| J109-5 | N/C | | J119-5 | RED-BLU | Loop from J119-4. |
| J109-6 | N/C | | J119-6 | RED-VIO | +50V to solenoids #33 & #34 |
| J109-7 | KEY | | J119-7 | RED-VIO | Loop from J119-6 |
| J109-8 | N/C | | J119-8 | RED-GRY | +50V to solenoids #35 & #36 |
| J109-9 | N/C | | J119-9 | RED-GRY | +Loop from J119-8 |
| J110-1 | BRN-WHT | Solenoid #37 drive to DC Motor Control | J120-1 | ORG-GRY | Solenoid #36 hold drive to Bart Toy Hat |
| J110-2 | KEY | | J120-2 | N/C | |
| J110-3 | ORG-WHT | Solenoid #38 drive to DC Motor Control | J120-3 | YEL-GRY | Solenoid #35 power drive not used |
| J110-4 | N/C | | J120-4 | N/C | |
| J110-5 | N/C | | J120-5 | N/C | |
| J111-1 | BLK-BRN | Solenoid #17 drive to playfield flasher | J120-6 | YEL-VIO | Solenoid #33 power drive to Move Bart Toy |
| J111-2 | BLK-RED | Solenoid #18 drive to playfield flasher | J120-7 | ORG-BLU | Solenoid #32 hold drive to low left flipper |
| J111-3 | BLK-ORG | Solenoid #19 drive to playfield flasher | J120-8 | N/C | |
| J111-4 | BLK-YEL | Solenoid #20 drive to playfield flasher | J120-9 | YEL-BLU | Solenoid #31 power drive to low left flipper |
| J111-5 | BLU-GRN | Solenoid #21 drive to playfield flasher | J120-10 | KEY | |
| J111-6 | BLU-BLK | Solenoid #22 drive to playfield flasher | J120-11 | ORG-GRN | Solenoid #30 hold drive to low right flipper |
| J111-7 | BLU-VIO | Solenoid #23 drive to playfield flasher | J120-12 | N/C | |
| J111-8 | BLU-GRY | Solenoid #24 drive to playfield flasher | J120-13 | YEL-GRN | Solenoid #29 power drive to low right flipper |
| J111-9 | KEY | | J121 | NOT USED | |
| J111-10 | RED-ORG | Tie-back for solenoids #21 & #22. | J122-1 | KEY | |
| J111-11 | RED-ORG | Tie-back for solenoids #21 & #22. | J122-2 | N/C | |
| J111-12 | N/C | | J122-3 | YEL-GRY | Lamp column #8 to cabinet |
| J111-13 | RED-ORG | Tie-back for solenoids #21 & #22. | J123-1 | YEL-BRN | Lamp column #1 to playfield |
| J112-1 | N/C | | J123-2 | YEL-RED | Lamp column #2 to playfield |
| J112-2 | N/C | | J123-3 | YEL-ORG | Lamp column #3 to playfield |
| J112-3 | N/C | | J123-4 | YEL-BLK | Lamp column #4 to playfield |
| J112-4 | KEY | | J123-5 | YEL-GRN | Lamp column #5 to playfield |
| J112-5 | N/C | | J123-6 | YEL-BLU | Lamp column #6 to playfield |
| J112-6 | N/C | | J123-7 | YEL-VIO | Lamp column #7 to playfield |
| J112-7 | N/C | | J123-8 | KEY | |
| J112-8 | N/C | | J123-3 | YEL-GRY | Lamp column #8 to playfield |
| J112-9 | BLU-GRY | Solenoid #24 drive to insert flasher | J124 | NOT USED | |
| J113-1 | BRN-BLK | Solenoid #9 drive to playfield coil | J125-1 | N/C | |
| J113-2 | KEY | | J125-2 | N/C | |
| J113-3 | BRN-RED | Solenoid #10 drive to playfield coil | J125-3 | KEY | |
| J113-4 | BRN-ORG | Solenoid #11 drive to playfield coil | J125-4 | N/C | |
| J113-5 | BRN-YEL | Solenoid #12 drive to playfield coil | J125-5 | N/C | |
| J113-6 | BRN-GRN | Solenoid #13 drive to playfield coil | J125-6 | N/C | |
| J113-7 | BRN-BLU | Solenoid #14 drive to playfield coil | J125-7 | RED-BLU | Lamp row #6 to coin door board J3-9 |
| J113-8 | BRN-VIO | Solenoid #15 drive to playfield coil | J125-8 | RED-VIO | Lamp row #7 to coin door board J3-10 |
| J113-9 | BRN-GRY | Solenoid #16 drive to playfield coil | J125-9 | RED-GRY | Lamp row #8 to coin door board J3-11 |
| J114 | NOT USED | | J126-1 | RED-BRN | Lamp row #1 to playfield. |
| J115 | NOT USED | | J126-2 | RED-BLK | Lamp row #2 to playfield. |
| J116-1 | VIO-BRN | Solenoid #1 drive to playfield coil | J126-3 | KEY | |
| J116-2 | VIO-RED | Solenoid #2 drive to playfield coil | J126-4 | RED-ORG | Lamp row #3 to playfield |
| J116-3 | KEY | | J126-5 | RED-YEL | Lamp row #4 to playfield |
| J116-4 | VIO-ORG | Solenoid #3 drive to playfield coil | J126-6 | RED-GRN | Lamp row #5 to playfield |
| J116-5 | N/C | | J126-7 | RED-BLU | Lamp row #6 to playfield |
| J116-6 | VIO-GRN | Solenoid #5 drive to playfield coil | J126-8 | RED-VIO | Lamp row #7 to playfield |
| J116-7 | VIO-BLU | Solenoid #6 drive to playfield coil | J126-9 | RED-GRY | Lamp row #8 to playfield |
| J116-8 | VIO-BLK | Solenoid #7 drive to playfield coil | J127-1 | WHT-GRN | 9.8VAC from transformer secondary. |
| J116-9 | VIO-GRY | Solenoid #8 drive to playfield coil | J127-2 | WHT-GRN | 9.8VAC loop from J127-1. |
| J117 | NOT USED | | J127-3 | WHT-GRN | 9.8VAC from transformer secondary. |
| J118 | NOT USED | | J127-4 | KEY | |
| | | | J127-5 | WHT-GRN | 9.8VAC loop from J127-3. |

Power Driver Board Continued...

| | | |
|--------|----------|-------------------------------------------------------------------------------------------------------------|
| J128-1 | WHT-RED | 16VAC loop from J128-2. |
| J128-2 | WHT-RED | 16VAC from transformer secondary. |
| J128-3 | WHT-RED | 16VAC loop from J128-4. |
| J128-4 | WHT-RED | 16VAC from transformer secondary. |
| J128-5 | BLK-YEL | 16VAC loop from J128-6. |
| J128-6 | BLK-YEL | 16VAC from transformer secondary. |
| J128-7 | KEY | |
| J128-8 | BLK-YEL | 16VAC loop from J128-9. |
| J128-9 | BLK-YEL | 16VAC from transformer secondary. |
| | | |
| J129-1 | RED | 9VAC from transformer secondary. |
| J129-2 | RED | 9VAC from transformer secondary. |
| J129-3 | KEY | |
| J129-4 | BLU-WHT | 13VAC from transformer secondary. |
| J129-5 | BLU-WHT | 13VAC loop from J129-4. |
| J129-6 | BLU-WHT | 13VAC from transformer secondary. |
| J129-7 | BLU-WHT | 13VAC loop from J129-6. |
| | | |
| J130 | NOT USED | |
| | | |
| J131 | NOT USED | |
| | | |
| J132 | NOT USED | |
| | | |
| J133-1 | RED-ORG | +50V to coils |
| J133-2 | RED-BRN | +50V to coils. |
| J133-3 | RED-BLK | +50V to coils. |
| J133-4 | KEY | |
| J133-5 | N/C | |
| J133-6 | RED-WHT | +20V to playfield flashers. |
| | | |
| J134-1 | N/C | |
| J134-2 | N/C | |
| J134-3 | N/C | |
| J134-4 | KEY | |
| J134-5 | RED-WHT | +20V to insert panel flashers. |
| | | |
| J135 | NOT USED | |
| | | |
| J136 | NOT USED | |
| | | |
| J137 | NOT USED | |
| | | |
| J138 | NOT USED | |
| | | |
| J139-1 | KEY | |
| J139-2 | GRY-YEL | +12V to Coin Door board J2-2. |
| J139-3 | BLK | Ground to Coin Door board J2-1. |
| J139-4 | N/C | |
| J139-5 | BLK-WHT | Signal for coin meter to coin door brd J2-7. |
| | | |
| J140-1 | KEY | |
| J140-2 | GRY-YEL | +Motor EMI Board |
| J140-3 | N/C | |
| J140-4 | N/C | |
| | | |
| J141-1 | KEY | |
| J141-2 | GRY-YEL | +12V to 10-Opto board, DC Motor Controller board, Schmitt Opto Interrupt board, Mine Dual Opto board. |
| J141-3 | BLK | +12V to 10-Opto board, DC Motor Controller board, Schmitt Opto Interrupt board, Mine Dual Opto board. |
| J141-4 | N/C | |

LAMP MATRIX

Yellow (B+) Red

| Column Row | 1 Yellow-Brown J121-1 Q96 | 2 Yellow-Red J121-2 Q100 | 3 Yellow-Orange J121-3 Q95 | 4 Yellow-Black J121-4 Q99 | 5 Yellow-Green J121-5 Q94 | 6 Yellow-Blue J121-6 Q98 | 7 Yellow-Violet J121-7 Q93 | 8 Yellow-Gray J121-9 Q97 |
|--------------------------------|------------------------------------|-----------------------------------|-------------------------------------|------------------------------------|------------------------------------|-----------------------------------|-------------------------------------|-----------------------------------|
| 1 Red-Brown J125-1 Q104 | RANK: STRANGER 11 | BOUNTY BEACON 21 | R. CENTER DROP: BAD GUY 3 31 | RIGHT LOOP: COMBO 41 | RIGHT DROP: BAD GUY 4 51 | LEFT RAMP: WHITEWATER 61 | STAR: STAMPEDE 71 | STAR: BART BROTHERS 81 |
| 2 Red-Black J125-2 Q108 | RANK: PARTNER 12 | JACKPOT BEACON 22 | LEFT DROP: BAD GUY 1 32 | RIGHT LOOP: JACKPOT 42 | BOTTOM RIGHT STANDUP 52 | LEFT RAMP: WATERFALL 62 | STAR: COMBO 72 | SHOOT AGAIN 82 |
| 3 Red-Orange J125-4 Q103 | RANK: DEPUTY 13 | SHOOT TO COLLECT 23 | LEFT STANDUP 33 | RIGHT LOOP: MARKSMAN 43 | TOP RIGHT STANDUP 53 | LEFT RAMP: SAVE POLLY 63 | STAR: HIGH NOON 73 | STAR: SHOWDOWN 83 |
| 4 Red-Yellow J125-5 Q107 | RANK: SHERIFF 14 | EXTRA BALL LIT BEACON 24 | R. RAMP: SOUND ALARM 34 | RIGHT LOOP: GUNSLINGER 44 | CENTER RAMP: CATCH TRAIN 54 | LEFT RAMP: JACKPOT 64 | LEFT LOOP: COMBO 74 | L. CENTER DROP: BAD GUY 2 84 |
| 5 Red-Green J125-6 Q102 | RANK: MARSHALL 15 | BOUNTY (SALOON) 25 | RIGHT RAMP: SHOOT OUT 35 | RIGHT LOOP: GOOD SHOT 45 | CENTER RAMP: STOP TRAIN 55 | LEFT RAMP: COMBO 65 | LEFT LOOP: JACKPOT 75 | NOT USED 85 |
| 6 Red-Blue J125-7 Q106 | STAR: MOTHER-LODE 16 | SALOON ARROW 26 | RIGHT RAMP: SAVE POLLY 36 | LEFT RETURN: QUICK DRAW 46 | CENTER RAMP: SAVE POLLY 56 | RIGHT RETURN: QUICK DRAW 66 | LEFT LOOP: RIDE 'EM 76 | NOT USED 86 |
| 7 Red-Violet J125-8 Q101 | LEFT BONUS 'X' LANE 17 | EXTRA BALL 27 | RIGHT RAMP: JACKPOT 37 | LEFT GUNFIGHT PIN 47 | CENTER RAMP: JACKPOT 57 | RIGHT OUT: SPECIAL 67 | LEFT LOOP: WILD RIDE 77 | NOT USED 87 |
| 8 Red-Gray J125-9 Q105 | RIGHT BONUS 'X' LANE 18 | MINE LOCK 28 | RIGHT RAMP: COMBO 38 | LEFT OUT: GUNFIGHT 48 | CENTER RAMP: COMBO 58 | RIGHT GUNFIGHT PIN 68 | LEFT LOOP: BUCK'N BRONCO 78 | START BUTTON 88 |

J1XX = Power Driver Board

SWITCH MATRIX

White Green

| DEDICATED GROUNDED SWITCHES | Column Row | 1 Green-Brown J206-1 U20-18 | 2 Green-Red J206-2 U20-17 | 3 Green-Orange J206-3 U20-16 | 4 Green-White J206-4 U20-15 | 5 Green-Black J206-5 U20-14 | 6 Green-Blue J206-6 U20-13 | 7 Green-Violet J206-7 U20-12 | 8 Green-Gray J206-9 U20-11 | FLIPPER GROUNDED SWITCHES |
|------------------------------------------------------------------------------------------|--------------------------------------|--------------------------------------|------------------------------------|---------------------------------------|--------------------------------------|--------------------------------------|-------------------------------------|---------------------------------------|-------------------------------------|-------------------------------------------------------------|
| Orange-Brown J205-1 LEFT COIN CHUTE U17-5 D1 | 1 White-Brown J208-1 U18-11 | NOT USED 11 | SLAM TILT 21 | TROUGH EJECT 31 | MINE POPPER 41 | LEFT SLINGSHOT 51 | DROP #1 LEFT 61 | TRAIN ENCODER 71 | NOT USED 81 | BLACK-GREEN J208-13 LOWER RIGHT FLIPPER E.O.S. F1 |
| Orange-Red J205-2 CENTER COIN CHUTE U17-7 D2 | 2 White-Red J208-2 U18-9 | NOT USED 12 | COIN DOOR CLOSED 22 | TROUGH BALL 1 32 | SALOON POPPER 42 | RIGHT SLINGSHOT 52 | DROP #2 LEFT CENTER 62 | TRAIN HOME 72 | CENTER RAMP ENTER 82 | BLUE-VIOLET J212-12 LOWER RIGHT FLIPPER OPTO F2 |
| Orange-Black J205-3 RIGHT COIN CHUTE U17-11 D3 | 3 White-Orange J208-3 U18-5 | START BUTTON 13 | NOT USED 23 | TROUGH BALL 2 33 | NOT USED 43 | LEFT JET BUMPER 53 | DROP #3 RIGHT CENTER 63 | SALOON GATE 73 | LEFT RAMP MAKE 83 | BLACK-BLUE J208-12 LOWER LEFT FLIPPER E.O.S. F3 |
| Orange-Yellow J205-4 4TH COIN CHUTE U17-9 D4 | 4 White-Yellow J208-4 U18-7 | PLUMB BOB TILT 14 | ALWAYS CLOSED 24 | TROUGH BALL 3 34 | TOP RIGHT STANDUP 44 | RIGHT JET BUMPER 54 | DROP #4 RIGHT 64 | NOT USED 74 | CENTER RAMP MAKE 84 | BLUE-GRAY J212-11 LOWER LEFT FLIPPER OPTO F4 |
| Orange-Green J205-6 U16-9 Normal Function Srv Crts Test Function Escape D5 | 5 White-Green J208-5 U19-11 | MINE ENTRANCE 15 | NOT USED 25 | TROUGH BALL 4 35 | NOT USED 45 | BOTTOM JET BUMPER 55 | RIGHT RAMP MAKE 65 | SALOON BART TOY 75 | LEFT RAMP ENTER 85 | BLACK-VIOLET J208-11 UPPER RIGHT FLIPPER E.O.S. F5 |
| Orange-Blue J205-7 U16-11 Normal Function Volume Dn Test Function Down D6 | 6 White-Blue J208-7 U19-9 | LEFT OUTLANE 16 | LEFT RETURN LANE 26 | LEFT LOOP BOTTOM 36 | BEER MUG SWITCH 46 | RIGHT LOOP TOP 56 | RIGHT RAMP ENTER 66 | NOT USED 76 | TOP LEFT STANDUP 86 | BLACK-YELLOW J212-10 UPPER RIGHT FLIPPER OPTO F6 |
| Orange-Violet J205-8 U16-7 Normal Function Volume Up Test Function Up D7 | 7 White-Violet J208-8 U19-5 | RIGHT RETURN LANE 17 | RIGHT OUTLANE 27 | RIGHT LOOP BOTTOM 37 | LEFT BONUS "X" LANE 47 | RIGHT BONUS "X" LANE 57 | SKILL BOWL 67 | MINE HOME 77 | BOTTOM LEFT STANDUP 87 | BLACK-GRAY J208-10 UPPER LEFT FLIPPER E.O.S. F7 |
| Orange-Gray J205-9 U16-5 Normal Function Begin Test Test Function Enter D8 | 8 White-Gray J208-9 U19-7 | SHOOTER LANE 18 | BOTTOM RIGHT STANDUP 28 | NOT USED 38 | JET EXIT 48 | LEFT LOOP TOP 58 | BOTTOM RIGHT RAMP 68 | MINE ENCODER 78 | NOT USED 88 | BLACK-BLUE J212-9 UPPER LEFT FLIPPER OPTO F8 |

J2XX = CPU BOARD

= OPTO, TYPICALLY CLOSED

WARNINGS & NOTICES

WARNING

FOR SAFETY AND RELIABILITY, substitute parts and equipment modifications are not recommended. Use of Non-WILLIAMS parts or modifications of game circuitry, may adversely affect game play, or may cause injuries.

SUBSTITUTE PART OR EQUIPMENT MODIFICATIONS may void FCC/CANADA Type Acceptance.

BECAUSE THIS GAME IS PROTECTED by Federal copyright, trademark, and patent laws, unauthorized game conversions may be illegal under Federal law.

THIS 'CONVERSION' PRINCIPLE ALSO APPLIES to unauthorized facsimiles of WILLIAMS equipment, logos, designs, publications, assemblies, and games (or game features not deemed to be public domain), whether manufactured with WILLIAMS components or not.

NOTICE

WILLIAMS, Lane-change and Multi-ball are trademarks of WILLIAMS ELECTRONICS GAMES, INC. Entire contents of this manual © 1999 WILLIAMS ELECTRONICS GAMES, INC.

WARNING

NOTE: This equipment has been tested and found to comply with the limits for a Class A digital device, pursuant to Part 15 of the FCC Rules. These limits are designed to provide reasonable protection against harmful interference when the equipment is operated in a commercial environment. This equipment generated, uses, and can radiate radio frequency energy and if not installed and used in accordance with the instruction manual, may cause harmful interference to radio communications. Operation of this equipment in a residential area is likely to cause harmful interference in which case the user will be required to correct the interference at his own expense.

This Class B digital apparatus meets all requirements of the Canadian Interference-Causing Equipment Regulations.

Cet appareil numérique de la classe B respecte toutes les exigences du Règlement sur le matériel brouilleur du Canada.

RF Interference Notice

CABLE HARNESS PLACEMENTS and ground strap routing on this game have been designed to keep RF radiation and conduction within levels accepted by the FCC Rules.

TO MAINTAIN THESE LEVELS, reposition harnesses and reconnect ground straps to their original placements, if they become disconnected during maintenance.

FCC/CANADA STICKER. Check the back of your game to verify that an FCC/CANADA certification sticker was attached to your game at the factory. All games that leave the WILLIAMS plant have been tested and found to comply with FCC/CANADA Rules. Because the sticker is proof of this fact, legal repercussions to the owner and distributor may result, if the sticker is missing. If you receive a game that has no FCC/CANADA sticker, call WILLIAMS for advice or write us a note on your Game Registration Card. Be sure that the card bears your game's serial number.

For Service...

Call your authorized Williams Distributor

Williams Electronics Games, Inc.

3401 N. California Avenue
Chicago, IL 60618

© 1999 Williams Electronics Games, Inc. All Rights Reserved.

***CAUTION: Transport this game ONLY
With the hinged backbox DOWN!***