

**GamePlan, inc.®**

GAME PLAN, INC.®  
1515 W. Fullerton Avenue  
Addison, Illinois 60101  
Telephone: (312) 628-8200  
TLX 20-6098

# *Andromeda*

**PARTS  
CATALOG**

**MODEL  
850**

## INTRODUCTION

THIS PARTS CATALOG HAS BEEN COMPILED TO HELP THE SERVICEMAN IN SELECTING THE PARTS NECESSARY FOR PROPER MAINTENANCE OF GAME PLAN, INC. GAMES.

ALL MOTORS IN NEW GAME PLAN GAMES CARRY A 6 MONTH WARRANTY FROM THE DATE OF PURCHASE OF THE MACHINE. ANY DEFECTIVE MOTOR WILL BE REPLACED FREE OF CHARGE BY YOUR GAME PLAN DISTRIBUTOR.

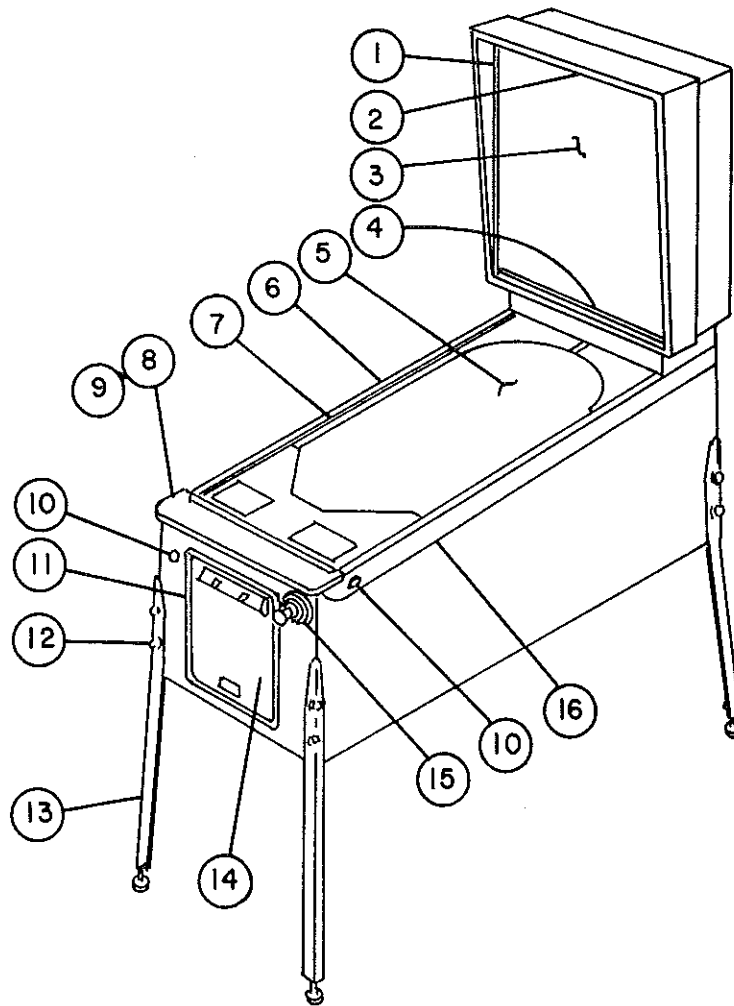
ALL P.C. BOARDS CARRY A 90 DAY WARRANTY. ANY DEFECTIVE P.C. BOARD WILL BE REPAIRED FREE OF CHARGE.

WHEN ORDERING PARTS. ALWAYS SPECIFY THE NAME OF THE UNIT, PART NUMBERS, AND DESCRIPTION OF THE PART AS SHOWN IN THIS CATALOG.

GAME PLAN, INC.

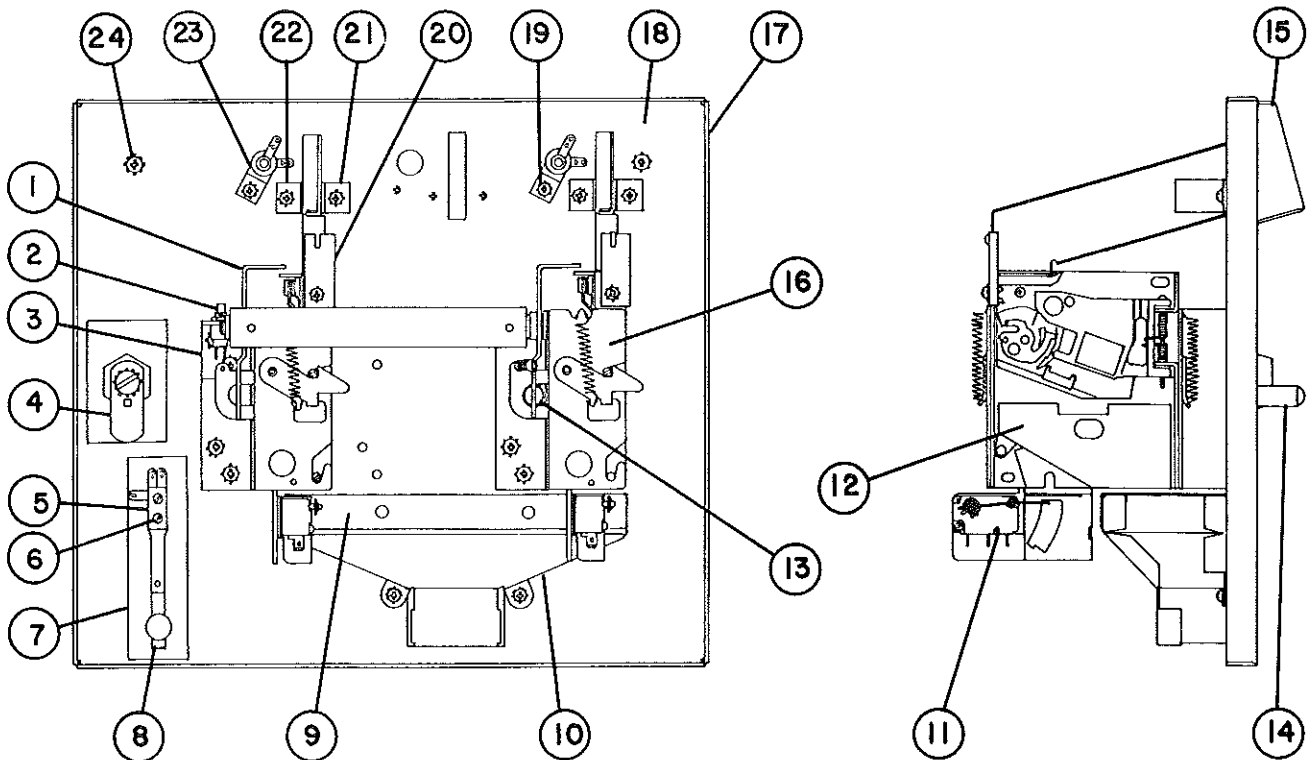
## INDEX

INTRODUCTION.....	1
INDEX.....	2
COMPLETE CABINET.....	3
FRONT DOOR ASS'Y.....	4
BALL SHOOTER ASS'Y.....	5
BALL KICKER ASS'Y.....	6
BALL EJECT ASSY.....	7
PLAYFIELD TOP.....	8
PLAYFIELD TOP PARTS LIST.....	9
PLAYFIELD BOTTOM.....	10
PLAYFIELD BOTTOM PARTS LIST.....	11
BANK TARGET ASS'Y.....	12
TILT BLOCK ASS'Y.....	13
FLIPPER BUTTON.....	14
BALL KICKOUT ASS'Y.....	15
POWER SUPPLY ASS'Y.....	16
POWER SUPPLY PARTS LIST.....	17
FLIPPER ASS'Y.....	18
SLING SHOT ASS'Y.....	19
POWER BUMPER ASS'Y.....	20
POWER BUMPER PARTS LIST ASS'Y.....	21
LDU-2 LAMP DRIVER UNIT.....	22
LDU-2 LAMP DRIVER PARTS LIST.....	23
SDU-1 SOLENOID DRIVER UNIT.....	24
SDU-1 SOLENOID DRIVER PARTS LIST.....	25
MPU-2 MICRO PROCESSOR UNIT.....	26
MPU-2 MICRO PROCESSOR UNIT PARTS LIST.....	27
MSU-3 SOUND SIMULATOR UNIT.....	28
MSU-3 SOUND SIMULATOR PARTS LIST.....	29
BDU-1 BACKGLASS DISPLAY UNIT.....	30
BDU-2 BACKGLASS DISPLAY UNIT.....	31
SOLENOID SPECIFICATION CHART.....	32

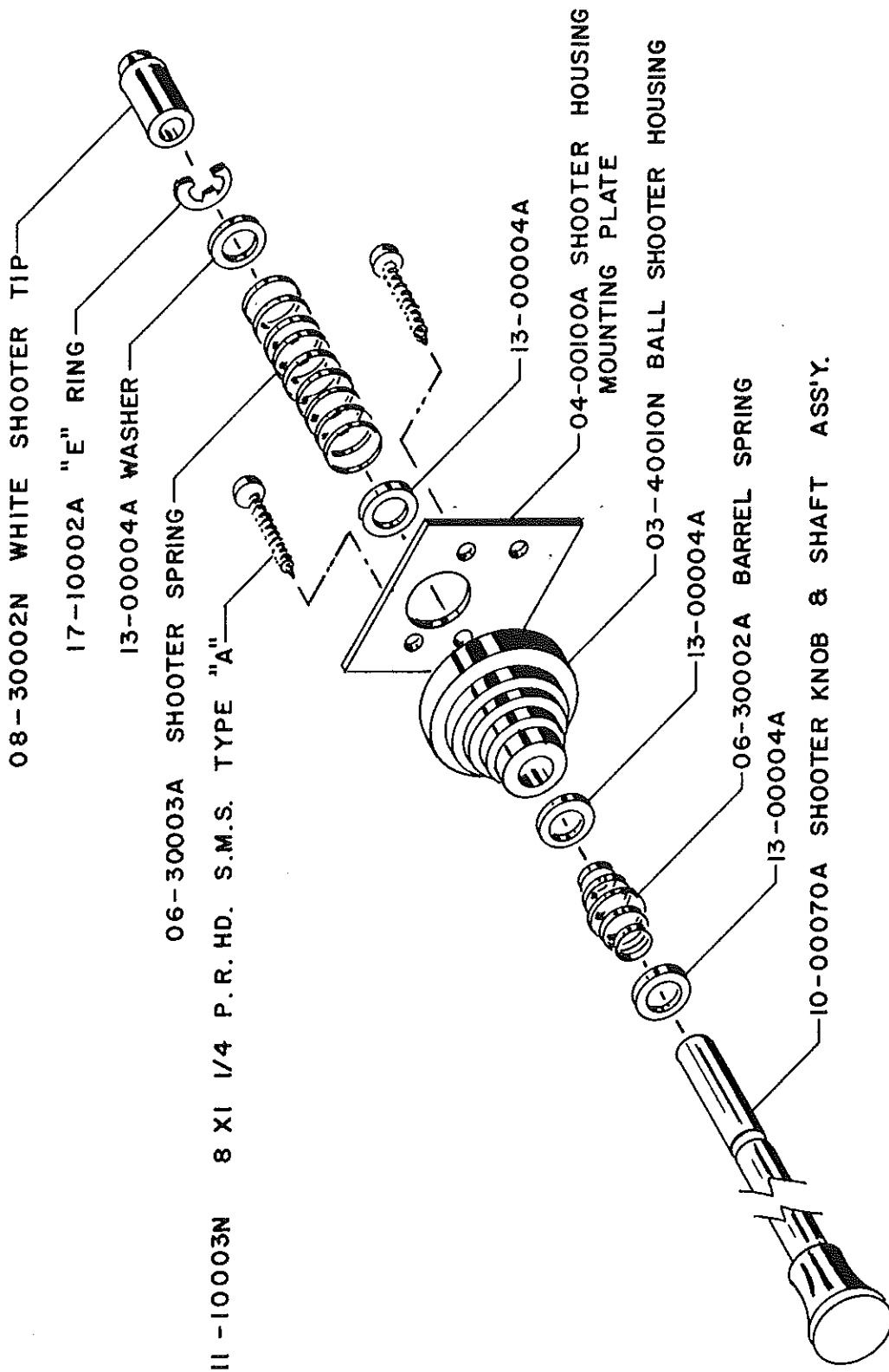


ITEM	PART NO.	DESCRIPTION
1	03-20003A	DISPLAY GLASS CHANNEL (2 SIDES)
2	03-20004A	DISPLAY GLASS CHANNEL (TOP)
3	08-10208	BACKRACK GLASS
4	04-00163A	GLASS LIFT CHANNEL
5	08-10003D	TOP GLASS
6	04-10004C	SIDE MOLDING-LEFT
7	03-20002A	TOP GLASS CHANNEL
8	10-00057C	FRONT MOLDING ASS'Y.
9	10-10056C	FRONT MOLDING LOCK ASS'Y.
10		FLIPPER BUTTON & CREDIT BUTTON ASSEMBLY (SEE PAGE 12)
11	10-00066C	DOOR FRAME ASS'Y.
12	11-50001N	3/8-16 X 2-3/8 HEX ACORN HD. BOLT
13	04-00156C	CABINET LEG
14	10-10060D	FRONT DOOR ASS'Y. (SEE PAGE 3)
15	10-10074A	BALL SHOOTER ASS'Y. (SEE PAGE 4)
16	04-10005C	SIDE MOLDING - RIGHT

## FRONT DOOR ASSEMBLY



ITEM	PART NO.	DESCRIPTION
1	10-00022 A	REJECT ARM ASS'Y.
2	22-10001N	TEST SWITCH
3	04-00175A	TEST SWITCH MTG. BRACKET
4	14-10002N	LOCK & OFFSET CAM ASSEMBLY
5	17-90001N	TENSION PLATE
6	11-40028N	5-40 X 1/2 P. R. HD. M. S.
7	08-60009A	TILT SWITCH INSULATOR
8	22-00011N	TILT SWITCH
9	04-00179B	COIN RETURN THROUGH COVER
10	10-00046B	COIN RETURN THROUGH ASS'Y.
11		COIN SWITCH-SPECIFY COIN DENOMINATION
12		COIN ACCEPTOR-SPECIFY COIN DENOMINATION
13	17-10004A	"C" RING
14	05-40004A	REJECT ROD
15	10-10061A	COIN ENTRY FRAME ASS'Y. (SPECIFY COIN & DESCRIPTION ON WINDOW)
16	10-00068B	CHANNEL SUPPORT BRKT. ASS'Y
17	04-00115C	FRONT DOOR
18	10-00050C	FRONT DOOR BACK MTG. PLATE ASS'Y.
19	11-40003N	6-32 X 1/4 P. R. HD. M. S. EXT. SEMS
20	04-00035A	CHUTE ALIGNMENT BRKT.
21	10-00047A	INSIDE COIN TRACK
22	10-00048A	OUTSIDE COIN TRACK
23	29-60006N	SOCKET
	31-00002N	44 LAMP
24	11-40002N	8-32 X 1/4 P. R. HD. M. S. EXT. SEMS

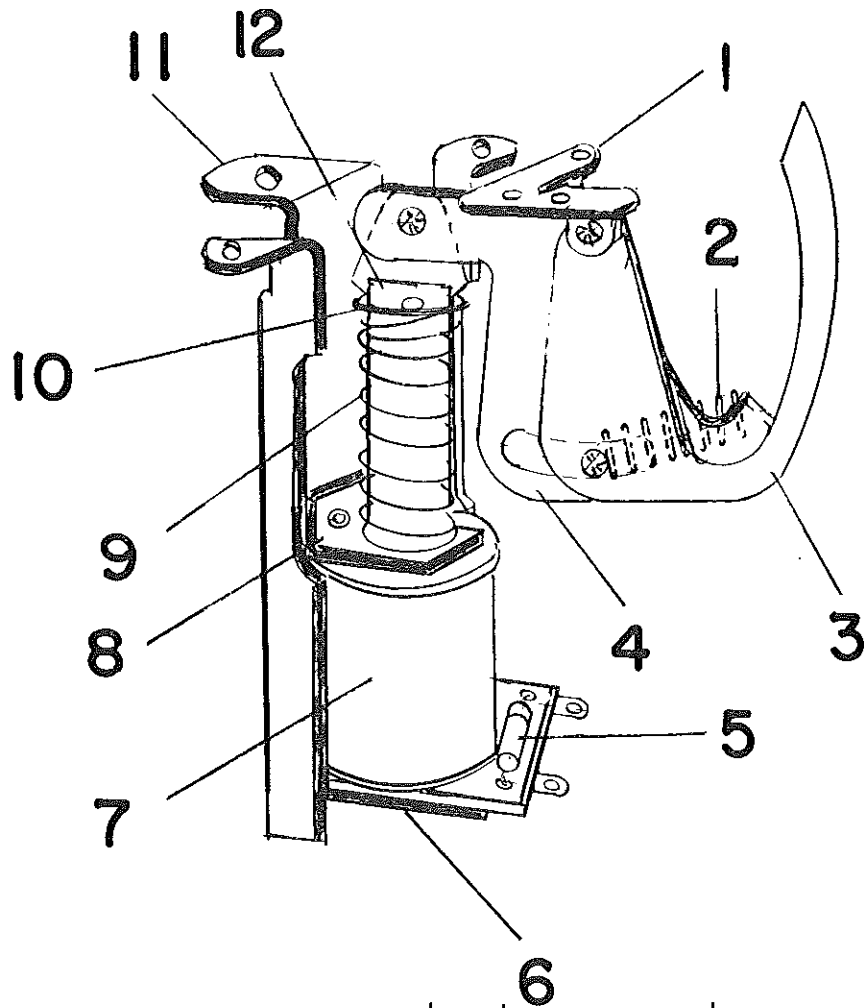


BALL SHOOTER ASSEMBLY

10-10074A

# BALL KICKOUT ASS'Y

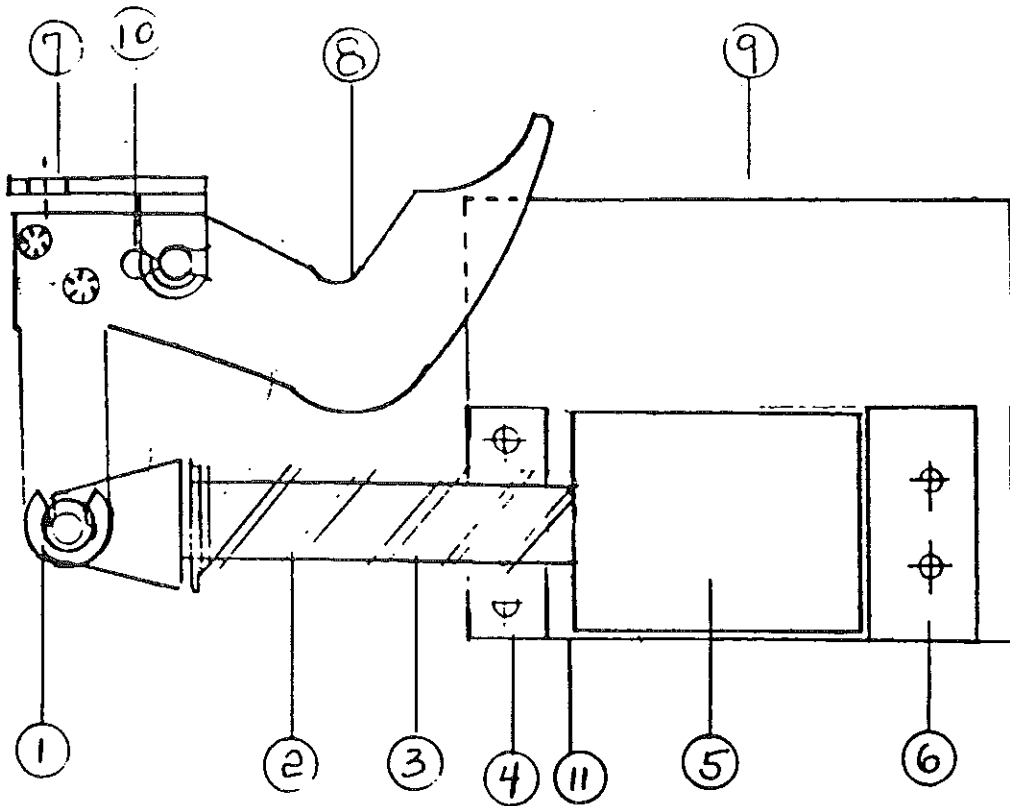
## 10-10184 B



NO.	PART NO.	DESCRIPTION	NO.	PART NO.	DESCRIPTION
1	10-00184A	KICKER BRK'T ASS'Y	8	04-00008	COIL SUPPORT BRK'T
2	06-20010 A	SPRING	11-40003	6-32X 1/4 P. RD. HD.	
3	10-00190A	KICKER ARM ASS'Y	9	06-30004	SPRING
4	10-00189A	CAM ARM ASS'Y	10	13-00003	STEEL WASHER
5	25-00001	IN 4004 DIODE	11	04-00026	COIL MTG. BRK'T.
6	10-00009A	PLUNGER STOP ASS'Y	12	10-10001A	PLUNGER LINK ASS'Y
	11-4004	6-32X 3/8 P.R. HD.		17-10003A	"E" RING
	12-00004	6-32 HEX HD. NUT		17-20001A	SPRING CLIP
7	10-10086	SOLENOID ASS'Y		13-00021	BRASS WASHER
	03-40008	" TUBE		09-10001	ROLL PIN
	25-00001	IN 4004 DIODE			
	21-50004	SOLENOID			

NO. 2 BALL EJECT ASS'Y

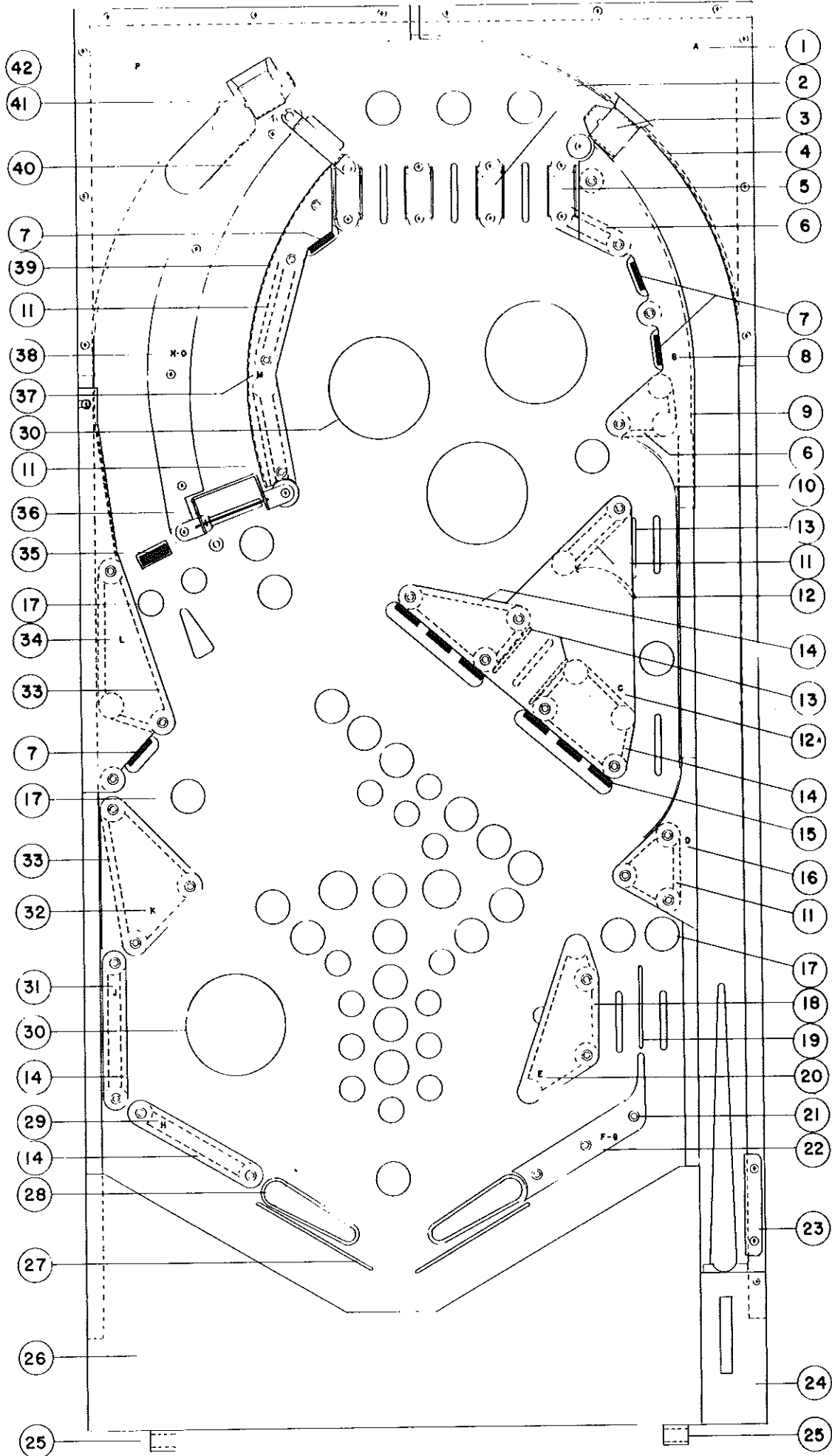
10-10570



- |    |          |                        |
|----|----------|------------------------|
| 1  | 17-10003 | "E" RING               |
| 2  | 06-30004 | PLUNGER RETURN SPRING  |
| 3  | 10-10001 | PLUNGER LINK ASSY      |
| 4  | 04-00008 | COIL SUPPORT           |
| 5  | 21-50005 | SOLENOID               |
| 6  | 10-00009 | PLUNGER                |
| 7  | 10-00005 | ARM MTG. BRK'T ASSY    |
| 8  | 10-10574 | BALL KICKER ASSY       |
| 9  | 04-01192 | BALL KICKOUT MTG BRK'T |
| 10 | 17-20001 | SPRING CLIP            |
| 11 | 11-40008 | SOLENOID TUBE          |



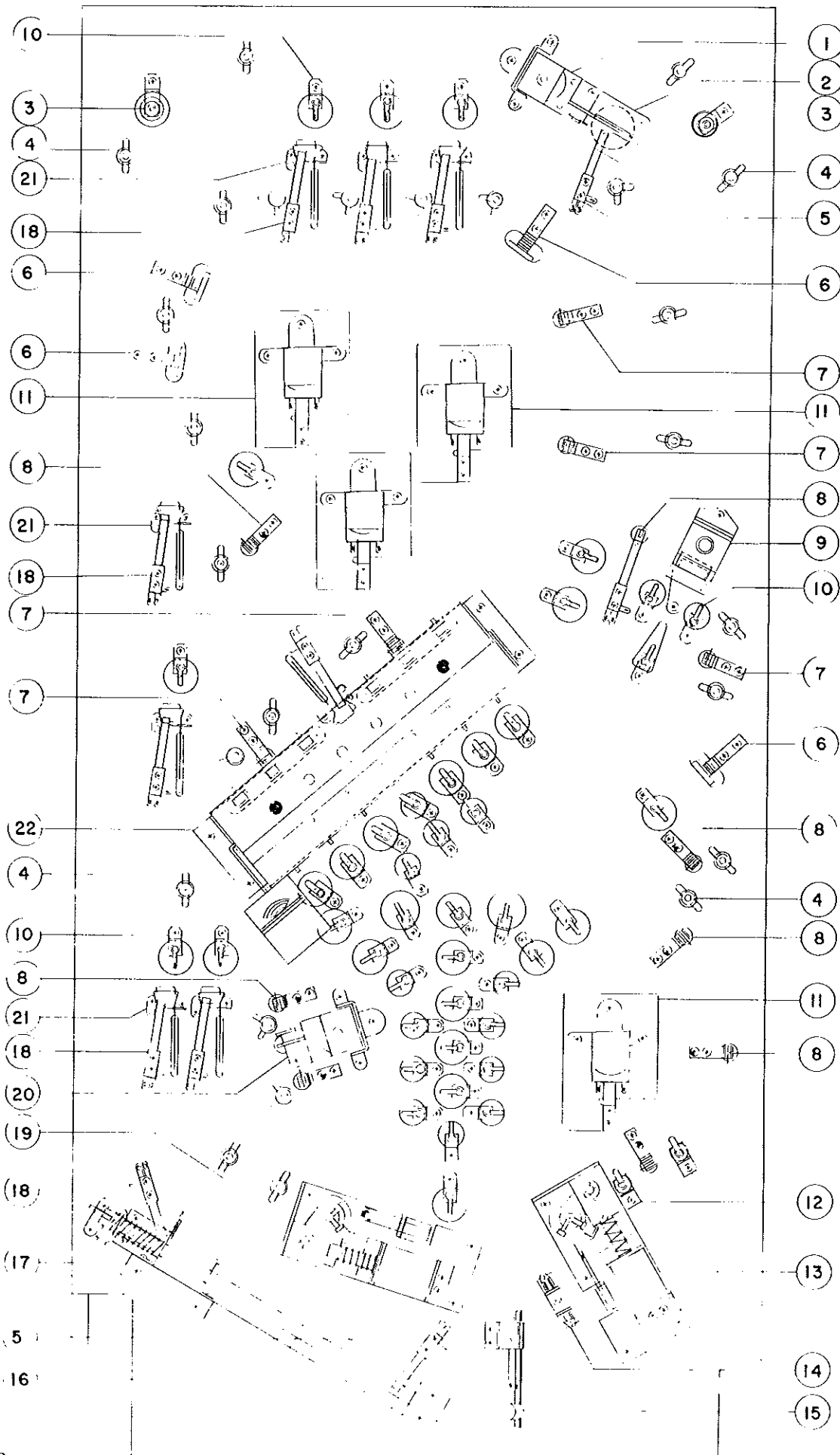
PLAYFIELD TOP



TOP PLAYFIELD

ITEM	PART NO.	DESCRIPTION	ITEM	PART NO.	DESCRIPTION
1	08-00179	OVERLAY (A)	20	08-00189	OVERLAY (E)
2	03-40042	1½" BALL GUIDE	21	08-30036	POST CAP
3	10-00003	BALL GATE	22	08-30191	OVERLAY (F)
4	04-01195	UPPER BALL RUN		08-30192	OVERLAY (G)
5	03-40017	1½" BALL GUIDE - 1 SIDED	23	04-00101	RAIL GUARD
6	08-30006	1¼ I.D. RUBBER RING	24	04-00365	SHOOTER INDICATOR
7	10-10056	TARGET SWITCH	25	04-00136A	PLAYFIELD SUPPORT BRK'T
8	08-00180	OVERLAY (B)	26	04-00364	BOTTOM ARCH
9	06-00036	BALL GUIDE WIRE	27	06-00010	BALL GUIDE WIRE
10	04-01198	BALL RUN	28	08-30001	FLIPPER RUBBER
11	08-30014	1½ I.D. RUBBER RING	29	08-00187	OVERLAY (H)
12	06-00081	BALL GUIDE WIRE	30	10-10004B	POWER BUMPER
12A	08-00190	OVERLAY (C)	31	08-00185	OVERLAY (K)
13	06-00017	BALL GUIDE WIRE	32	08-00186	OVERLAY (J)
14	08-30012	2" I.D. RUBBER RING	33	08-30009	2½ I.D. RUBBER RING
15	03-10011	TARGET (WHITE)	34	08-00184	OVERLAY (L)
16	08-00188	RITE LOWER BALL RUN (D)	35	10-10568	SINGLE DROP TARGET
17	03-40093	1 3/16 GREEN TRANS. INSERT	36	10-10550	SPINNER ASS'Y
	03-40092	1 3/16 RED TRANS. INSERT		04-00016A	SPINNER GATE
	03-40022	1" YELLOW INSERT		10-00014A	SPINNER ASS'Y
	03-40044	1" AMBER INSERT		06-00003A	SPINNER SWITCH WIRE
	03-40085	3/4" YELLOW INSERT		13-40001A	NYLON WASHER
	03-40046	3/4" BLUE INSERT	37	08-00183	OVERLAY (M)
	03-40084	3/4" ORANGE INSERT	38	08-00182	OVERLAY (N)
	03-40076	3/4" GREEN INSERT		08-00181	OVERLAY (CLEAR) (O)
	03-40018	3/4" WHITE INSERT	39	06-00088	BALL GUIDE WIRE
	03-40045	1" BLUE INSERT	40	04-00373	GATE BRACKET
	03-40086	1½ GREEN TRIANGLE INSERT		06-00047	WIRE GATE
	03-40020	1" WHITE INSERT	41	10-00004	BALL REBOUND ASS'Y
18	08-30013	3" I.D. RUBBER RING	42	08-00178	OVERLAY (P)
19	06-00022	BALL GUIDE WIRE			

PLAYFIELD BOTTOM



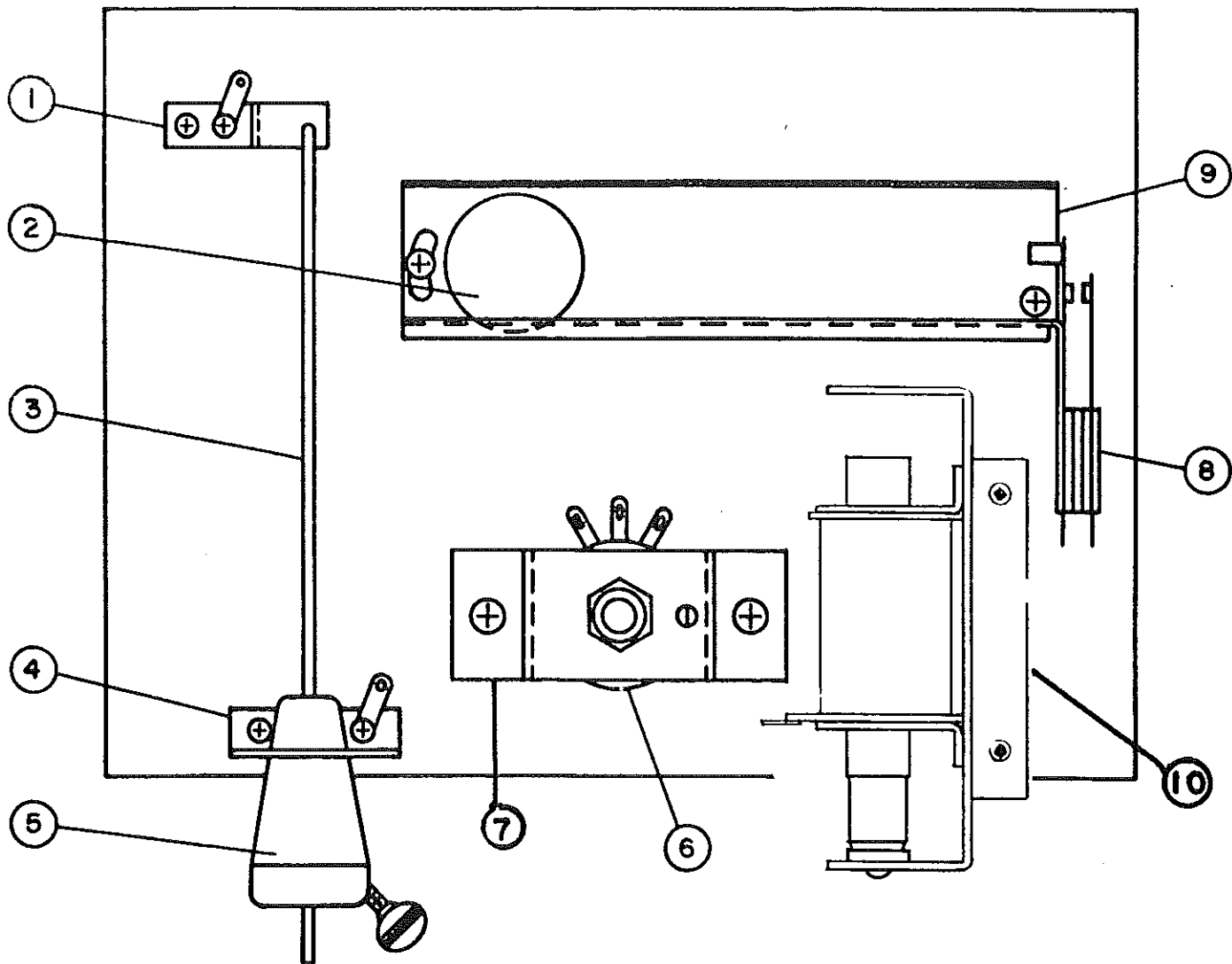
PLAYFIELD BOTTOM

<u>ITEM</u>	<u>PART NO.</u>	<u>DESCRIPTION</u>
1	10-10571	LOCK BALL KICKOUT ASSY
2	03-40024	KICKER HOLE COVER
3	29-60021	LAMP SOCKET
4	29-60005	LAMP SOCKET -STAPLE TYPE
5	22-00020	KICKOUT HOLE SWITCH
6	10-10564	TARGET SWITCH ASS'Y
7	10-00121	PLAYFIELD SWITCH ASS'Y
8	22-00006	SPINNER SWITCH
9	10-10568	SINGLE DROP TARGET ASS'Y
10	29-60002	LAMP SOCKET - LONG Z
11	10-10004	POWER BUMPER ASS'Y
12	29-60003	LAMP SOCKET - SHORT Z
13	10-10081	LEFT FLIPPER ASS'Y
14	30-10002	SINGLE FUSE HOLDER
15	10-00026	TILT SWITCH ASS'Y
16	10-000486	LOWER BALL RUN ASS'Y
17	10-10570	NO. 2 BALL KICKOUT ASS'Y
18	22-00007	ROLLOVER SWITCH
19	10-10561	RIGHT FLIPPER ASS'Y
20	10-10009	SLING SHOT ASS'Y
21	10-10016	ROLLOVER WIRE FORM ASS'Y



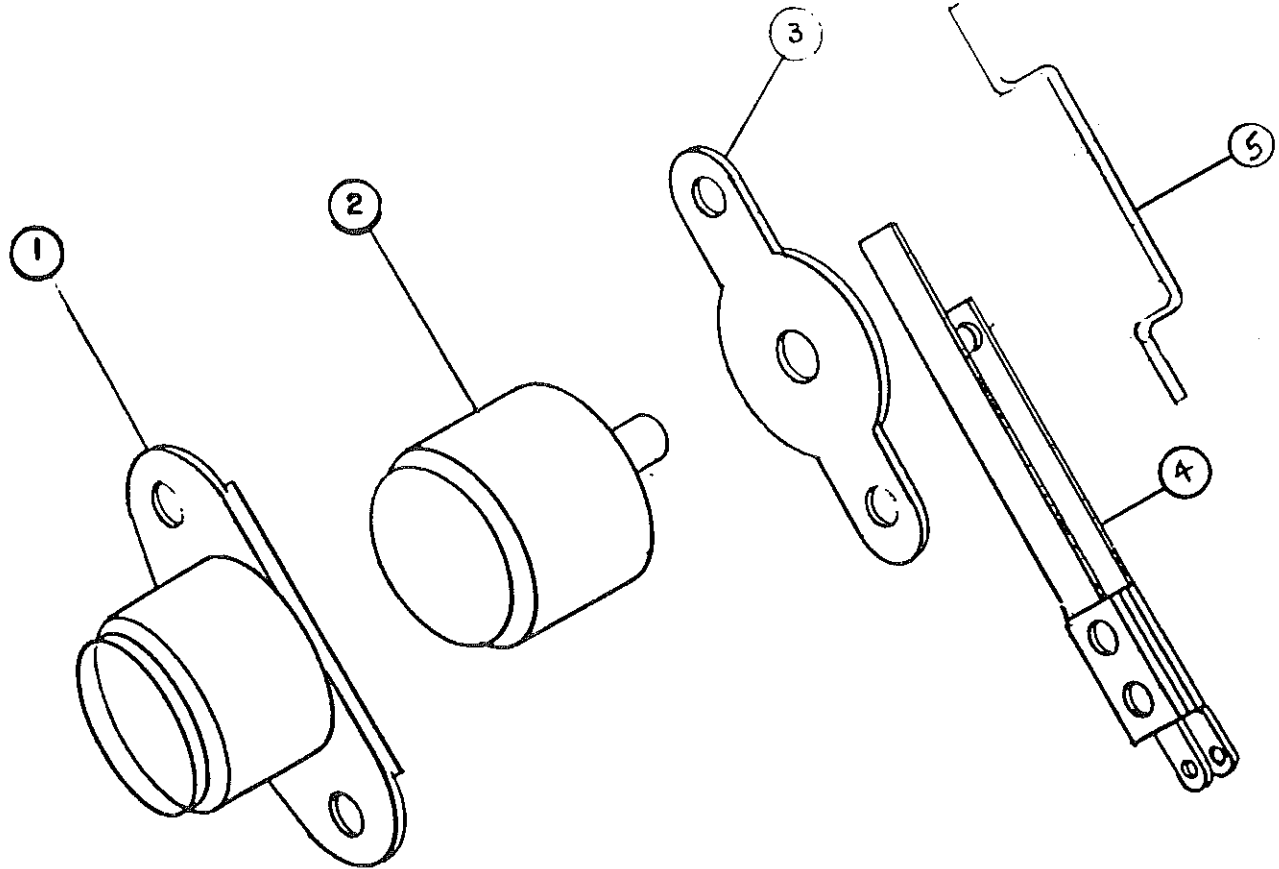
TILT BLOCK ASSEMBLY

10-10159A



<u>ITEM</u>	<u>PART NO.</u>	<u>DESCRIPTION</u>
1	04-40002A	TILT PLUMB BOB HANGER
2	07-40001N	STEEL BALL
3	06-00002A	TILT PLUMB BOB WIRE
4	04-40001A	TILT CONTACT PLATE
5	03-10001A	TILT PLUMB BOB
6	04-00438A	VOLUME CONTROL MTG. BRACKET
7	27-00004N	VOLUME CONTROL
8	22-00003N	SWITCH
9	04-00027B	ROLL TILT CAGE
10	10-10013	<b>KNOCKER ASSEM.</b>

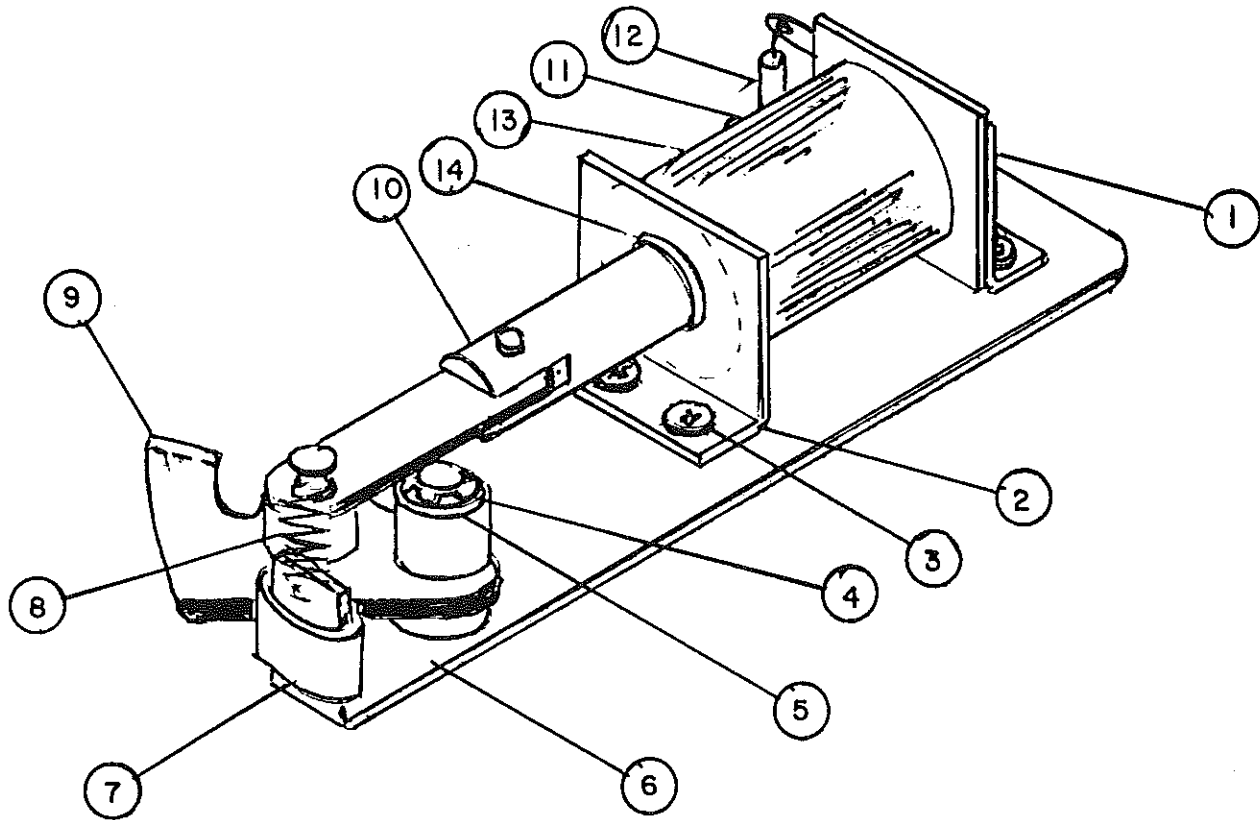
FLIPPER BUTTON  
CREDIT BUTTON  
ASSEM.



<u>ITEM</u>	<u>PART NO.</u>	<u>DESCRIPTION</u>
1	03-40014N	FLIPPER BUTTON HOUSING
2	03-40013N	FLIPPER BUTTON
3	04-00019A	FLIPPER BUTTON PLATE
4	22-00009N	FLIPPER SWITCH
	22-00012	CREDIT SWITCH
5	04-01188	SWITCH GUARD

BALL KICKOUT ASSEM.

10-10007B

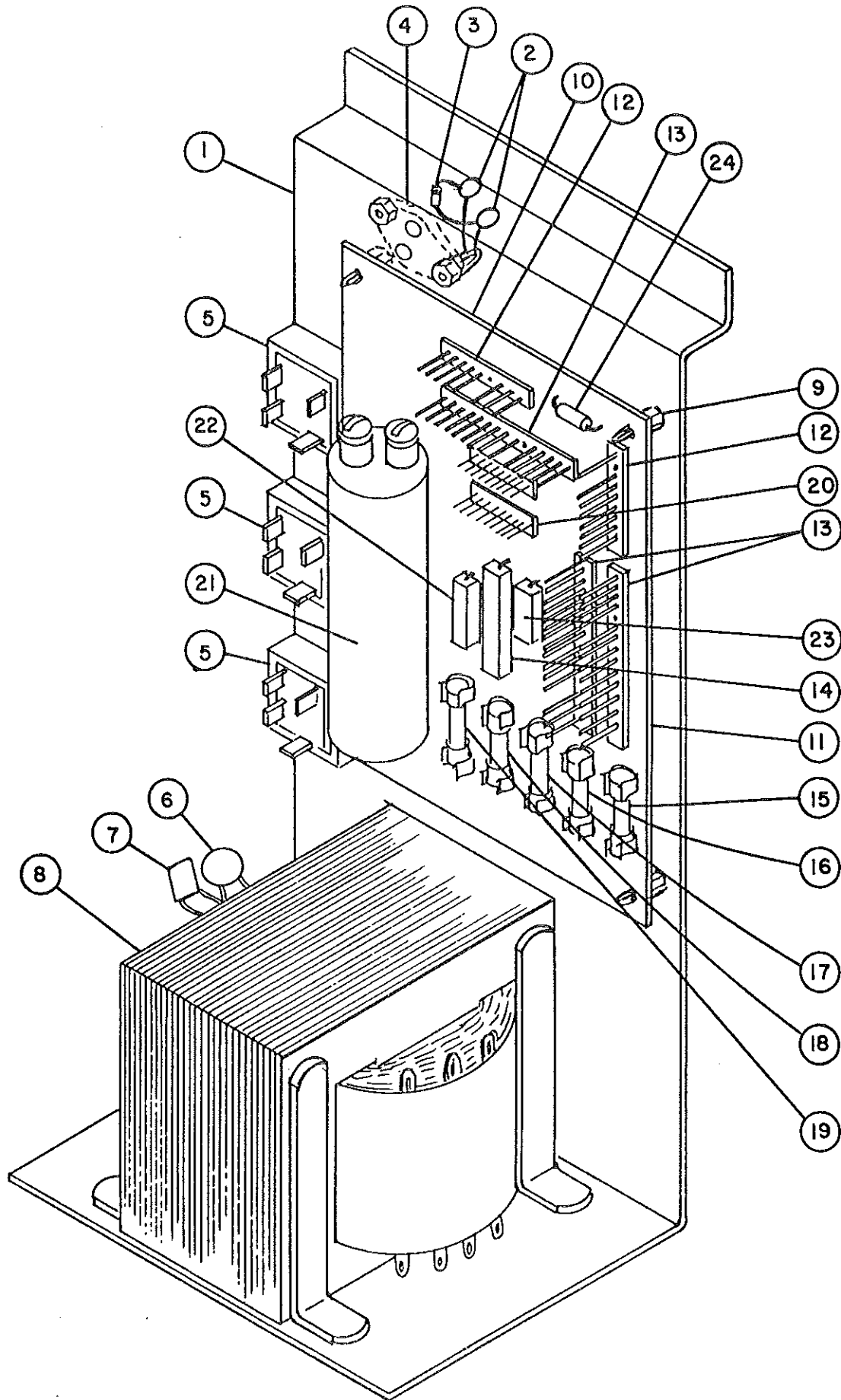


<u>ITEM</u>	<u>PART NO.</u>	<u>DESCRIPTION</u>
1	10-10013	PLUNGER STOP ASSEM.
2	04-00052A	FRONT COIL STOP
3	11-40003N	6-32 X 1-4 P.R.H.M.S. SEMS
4	17-10001A	"E" RING
5	13-00001A	BRASS WASHER
6	10-00001A	MTG. PLATE ASSEM.
7	32-10001A	BALL KICKOUT BUMPER
8	06-20002A	SPRING
9	10-00002A	CAM ARM ASSEM.
10	10-10008A	KICKOUT PLUNGER ASSEM.
11	21-50005B	SOLENOID
12	25-00001N	IN4004 DIODE
13	10-10045N	SOLENOID ASSEM. INCLUDES ITEMS 11,12,14
14	03-40008A	SOLENOID TUBE



PSU-I POWER SUPPLY UNIT

10-10075C



PSU-I POWER SUPPLY UNIT

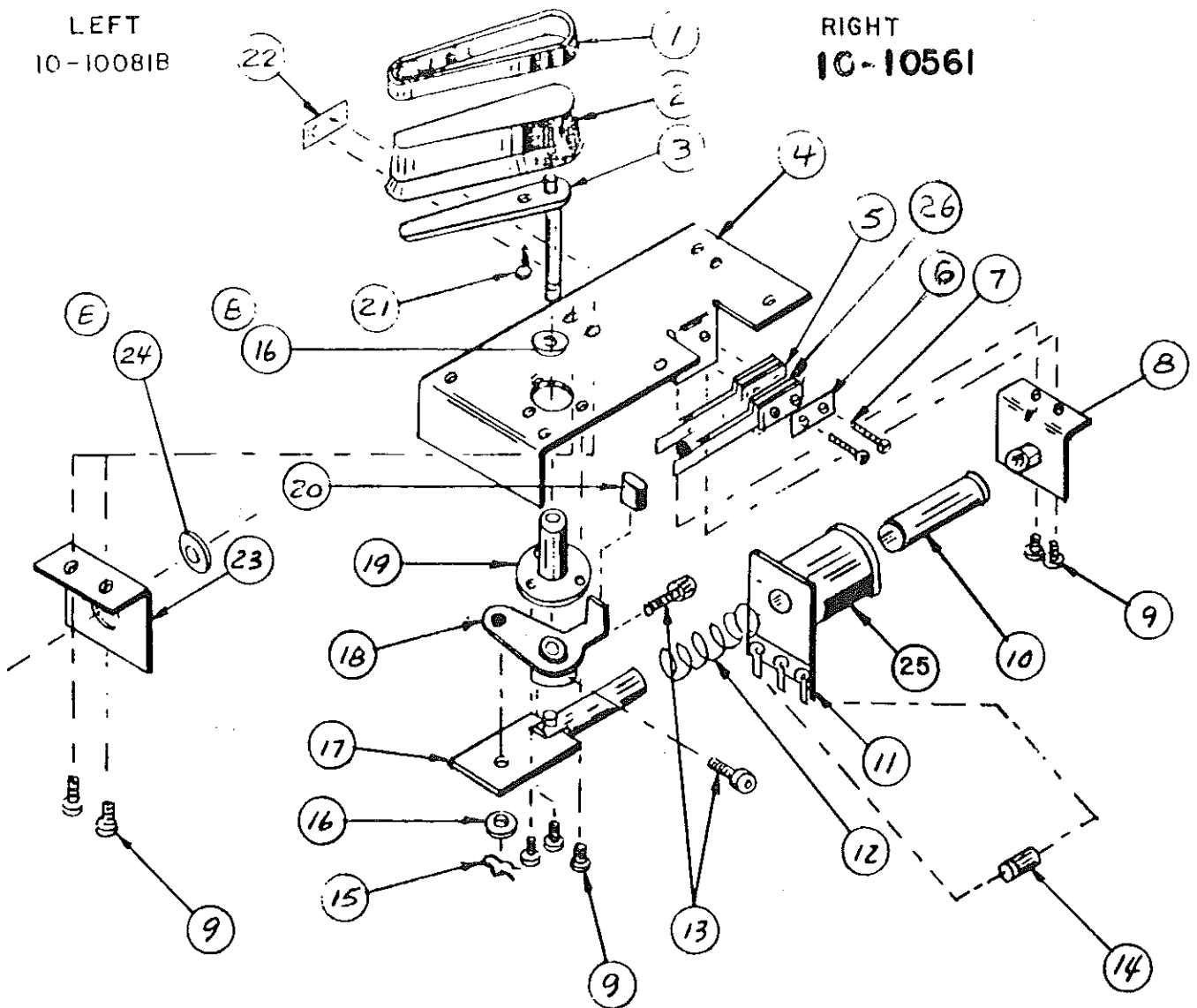
10-10075C

ITEM	PART NO.	DESCRIPTION
1	04-20020C	PSU MOUNTING BRACKET
2	24-30002N	10 MFD $\pm 10\%$ , 16 V DIPPED TANTALUM CAP
3	25-00001N	IN4004 DIODE
4	26-50001N	LM323K VOLTAGE REGULATOR
5	25-00003N	25 AMP, 200 PIV BRIDGE RECTIFIER
6	25-90002N	50 VAC VARISTOR
7	24-20001N	.1 MFD $\pm 10\%$ , 100 V MYLAR CAP
8	21-30003C	UNIVERSAL TRANSFORMER
9	17-30003N	BOARD SUPPORT
10	20-10013A	PSU-I P.C. BOARD ASS'Y. (INCLUDES ITEMS 11 THRU 24)
11	20-00011B	P.C. BOARD
12	29-00007N	SL-156 HEADER (9 PIN)
13	29-00004N	SL-156 HEADER (15 PIN)
14	23-50001N	5 OHM $\pm 10\%$ , 10 WATT RESISTOR
15	30-00006N	20 AMP, 32 V FUSE
16	30-00004N	10 AMP, 125 V FUSE
17	30-00005N	15 AMP, 32 V FUSE
18	30-00002N	5AMP, 125 V 3 AG FUSE
19	30-00003N	3 AMP, 125 V 3 AG SLO-BLO FUSE
20	29-00001N	CIS HEADER (9 PIN)
21	24-10005N	11,000 MFD, 25 V LYTIC
22	23-40001N	.47 OHM $\pm 10\%$ , 5 WATT RESISTOR
23	23-40002	700 OHM $\pm 10\%$ , 5 WATT RESISTOR
24	23-20002N	100 OHM, $\pm 5\%$ , 1 WATT RESISTOR

LEFT-RIGHT FLIPPER ASSEM.

LEFT  
10-10081B

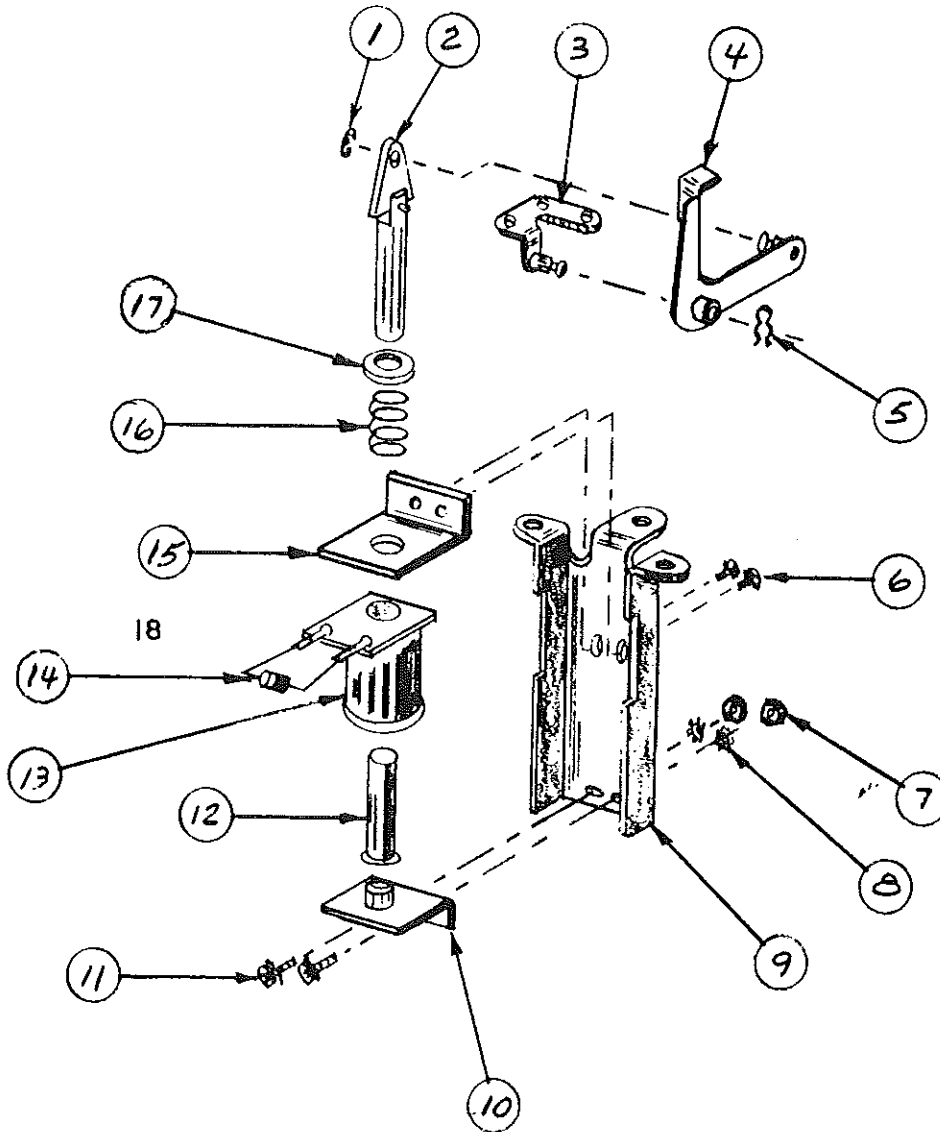
RIGHT  
10-10561



ITEM	PART NO.	DESCRIPTION	ITEM	PART NO.	DESCRIPTION
1	08-3000IN	FLIPPER RUBBER	13	11-2000IN	10/32 SOC.HD.SET SCREW
2	03-40009N	FLIPPER	14	25-0000IN	1N 4004 DIODE
3	10-00010A	FLIPPER SHOE ASS'Y	15	17-20001A	SPRING CLIP
* 4	04-00030C	LEFT FLIPPER MTG. PL.	16	13-00001A	BRASS WASHER
5	22-00002N	FLIPPER BREAK SW.	17	10-10002A	FLIPPER PLUNGER ASS'Y
6	17-90001N	TENSION PLATE	18	10-00011A	LEFT FLIPPER ARM ASS'Y
7	11-10019N	NO.4X5/8S.R.H.S.M.S.TYPE'B'	"	10-00012A	RIGHT " " "
8	10-10013	PLUNGER STOP ASS'Y	19	03-40001A	FLIPPER BUSHING
9	11-40003N	6/32X1/4PR.H.M.S.SEMS	20	32-10002A	INSULATOR
10	03-40022N	SOLENOID TUBE	21	11-10002N	6/32X1/2 P. TRUSS HD.
11	21-50008B	SOLENOID	22	12-20002N	SPEED NUT
12	06-30004A	PLUNGER RETURN SP.	23	04-00052A	FRONT COIL STOP
* 13	04-00031C	RIGHT FLIPPER PLATE	24	13-00009N	CURVED SPRING WASHER
25	10-10085N	SOLENOID ASS'Y. WITH DIODE PLUS ITEMS 10-11			
26	22-00005	SHIFT LANE SW.			

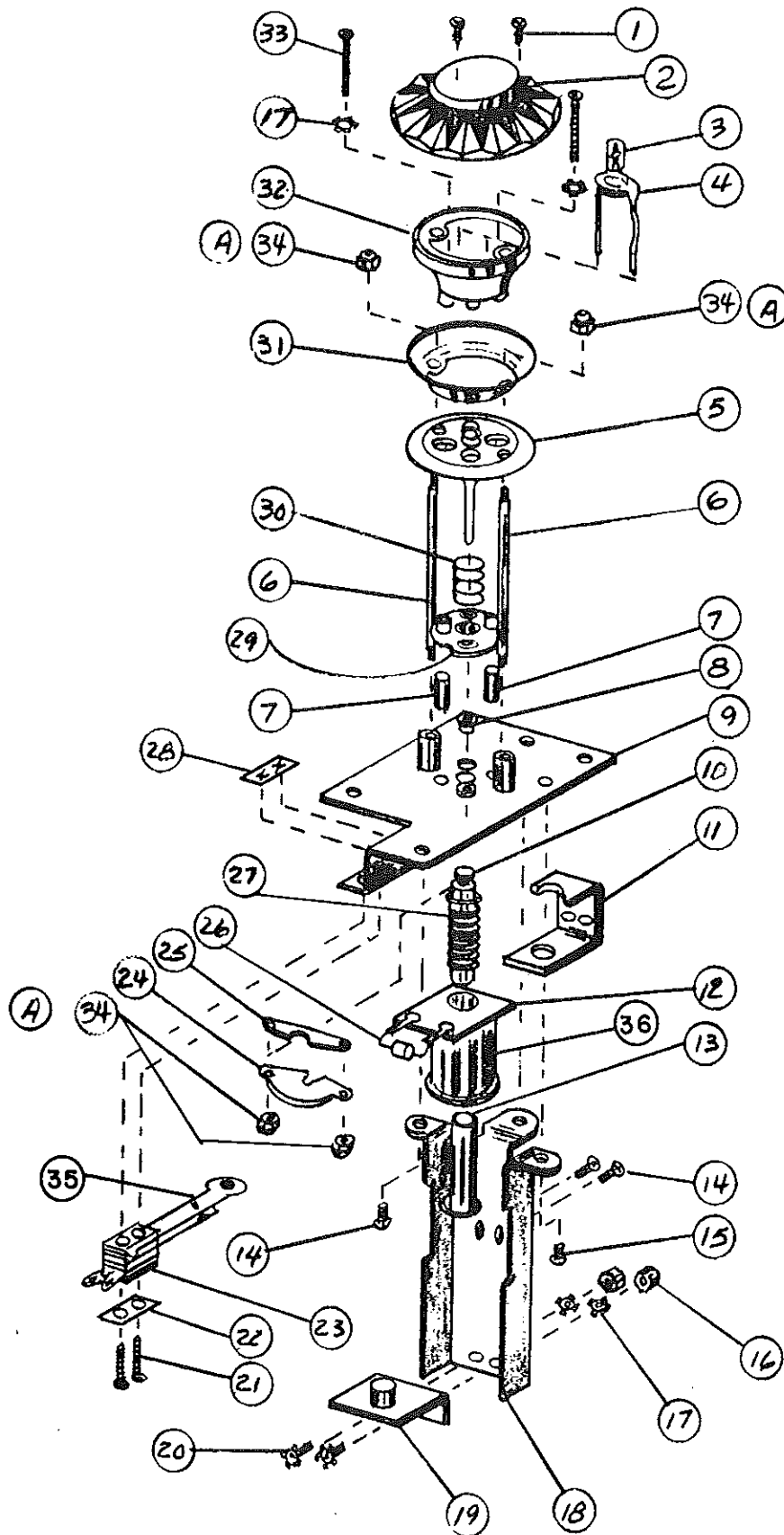
SLING SHOT ASSEM.

10-10009B



<u>ITEM</u>	<u>PART NO.</u>	<u>DESCRIPTION</u>	<u>ITEM</u>	<u>PART NO.</u>	<u>DESCRIPTION</u>
1	17-10003A	"E" RING	10	10-10013	PLUNGER STOP BRK'T
2	10-10001A	PLUNGER-LINK ASS'Y	11	11-40004N	6/32 x 3/8 P.R. HD. SEMS
3	10-00005A	ARM MTG. BRK'T ASS'Y	12	03-40008N	SOLENOID TUBE
4	10-00006A	SLING SHOT ARM ASS'Y	13	21-50001B	SOLENOID
5	17-20001A	SPRING CLIP	14	25-00001N	IN4004 DIODE
6	11-40003N	6/32 x 1/4 P.R. HD. SEMS	15	04-00008A	COIL SUPPORT BRK'T
7	12-00002N	6/32 HEX NUT	16	06-30004A	PLUNGER RETURN SPRING
8	13-10002N	NO. 6 EXT. T. LOCKWASHER	17	13-00003A	STEEL WASHER
9	04-00026B	COIL MTG. BRK'T	18	10-00196	SOLENOID ASS'Y INCL. ITEMS 12-12-14

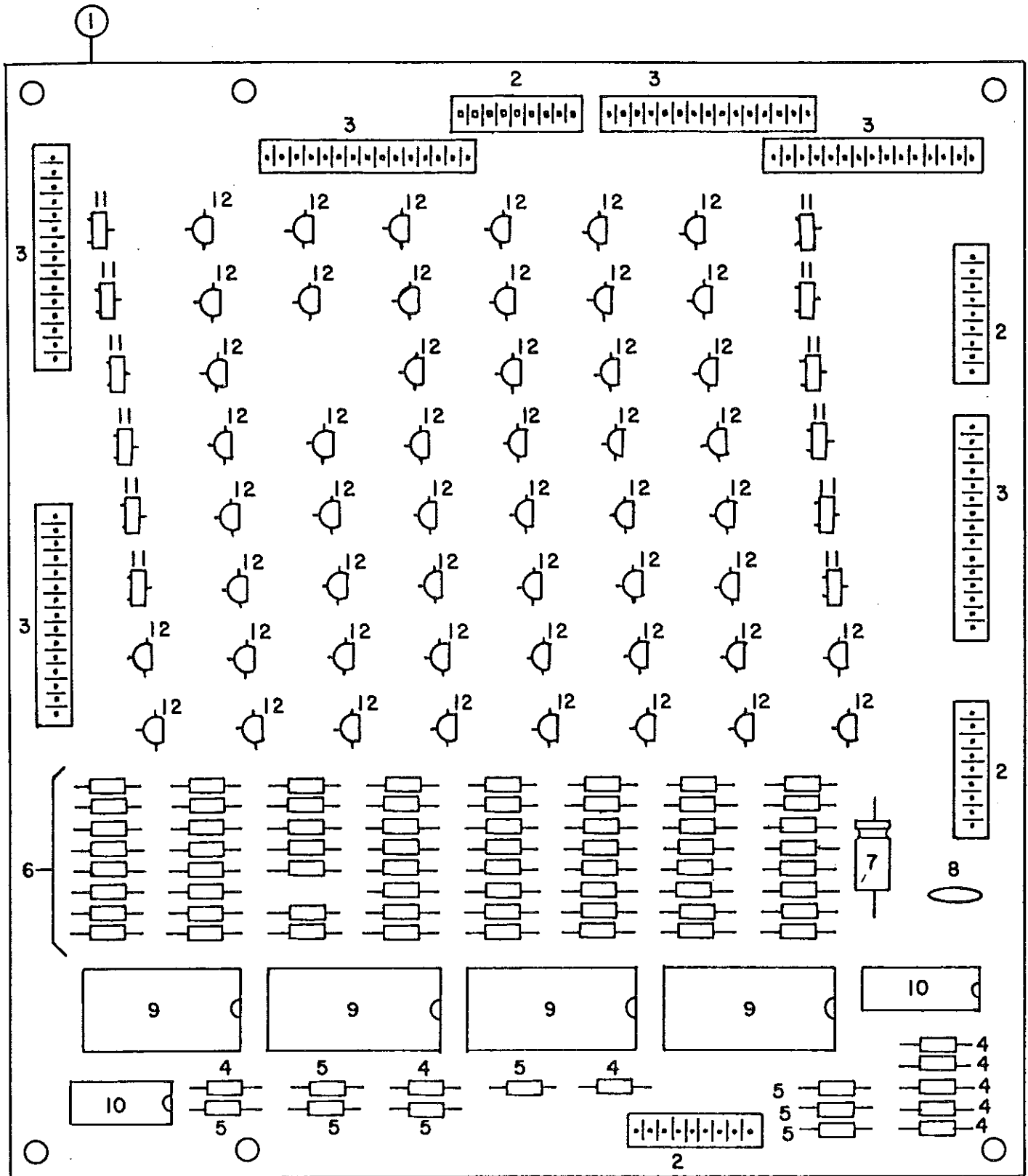
POWER BUMPER  
10-10004B



POWER BUMPER ASSEM.

<u>ITEM</u>	<u>PART NO.</u>	<u>DESCRIPTION</u>
1	11-10001N	NO.4X1/2 P.R.HD. S.M.S.
2	03-40003N	SUNBURST CAP
3	31-00002N	NO. 44 LAMP
4	29-60001N	BUMPER LAMP SOCKET
5	03-40005N	WAFER
6	05-40001A	POWER BUMPER ROD
7	32-40002A	" " SPACER
8	32-40003A	SNAP BUSHING
9	10-00008A	BUMPER MTG. PLATE ASS'Y
10	05-70002A	POWER BUMPER PLUNGER
11	04-00011A	" " COIL STOP
12	21-50001B	SOLENOID
13	03-40008N	" TUBE
14	11-40003N	6/32X1/4 P.R.HD. M.S. SEMS
15	11-40002N	8/32X1/4 P.R.HD. M.S. SEMS
16	12-00002N	6/32 HEX NUT
17	13-10002N	NO.6 EXT. TOOTH LOCKWASHER
18	04-00026B	COIL MTG. BRK'T
19	10-10013	PLUNGER STOP ASS'Y
20	11-40004A	6/32X3/8 P.R.HD. M.S. SEMS
22	17-90001A	TENSION PLATE
23	22-00001N	POWER BUMPER SWITCH
24	04-30003A	FIBER PLUNGER ARM
25	04-10002A	STAINLESS PLUNGER ARM
26	25-00001N	1N4004 DIODE
27	06-30005A	BUMPER PLUNGER RETURN SPRING
28	12-20002N	SPEED NUT
29	03-40006N	BUMPER BASE
30	06-30001A	POWER BUMPER SPRING
31	04-10001A	" " RING
32	03-40004N	" " BODY
33	11-40001N	6/32 X 1 1/4 P.R.HD. M.S.
34	12-10001N	6/32 ELASTIC STOP NUT
35	03-40007N	BUMPER SWITCH ACTUATOR
36	10-10046N	SOLENOID ASS'Y. INCLUDES ITEMS 12,13,26

# LDU-2 LAMP DRIVER UNIT

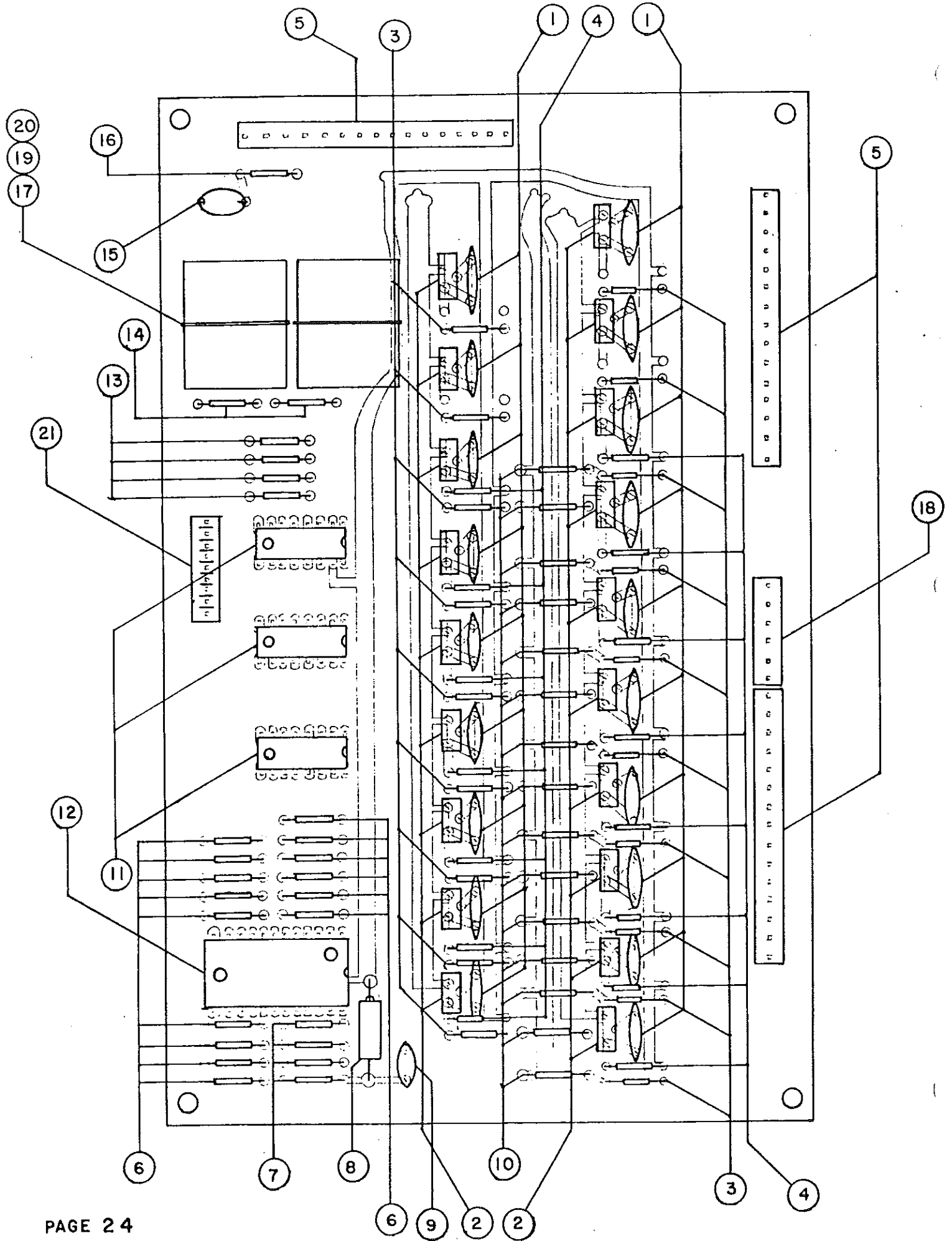


LDU-2 LAMP DRIVER UNIT  
20-10012C

<u>ITEM</u>	<u>PART NO.</u>	<u>DESCRIPTION</u>
1	20-00010C	LDU-2 P.C. BOARD
2	29-00001N	CIS HEADER (9 PIN)
3	29-00002N	CIS HEADER (15 PIN)
4	23-00009N	2.2 M OHM $\pm$ 5%, 1/4 WATT RESISTOR
5	23-00007N	22 K OHM $\pm$ 5%, 1/4 WATT RESISTOR
6	23-00004N	2.2 K OHM $\pm$ 5%, 1/4 WATT RESISTOR
7	24-10001N	10 MFD, 16 VOLT AXIAL LYTIC CAP
8	24-00001N	.01 MFD $\pm$ 10% CERAMIC DISC CAP
9	26-10001N	4514 INTEGRATED CIRCUIT
10	26-10002N	4050 INTEGRATED CIRCUIT
11	25-20002N	MCR 106-1 SCR
12	25-20001N	2N5060 SCR



SDU-1- SOLENOID DRIVER

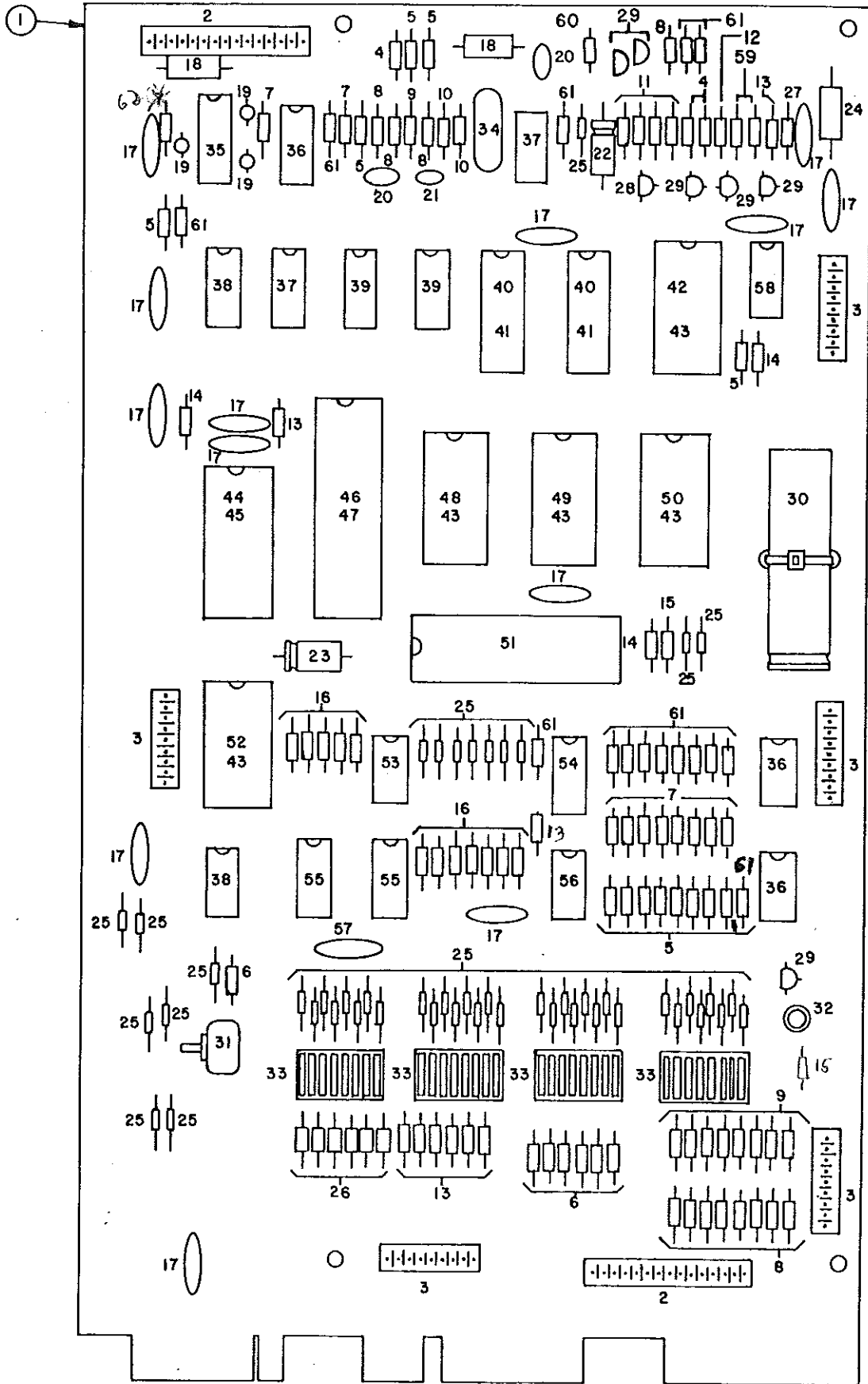


SDU - 1 — SOLENOID DRIVER

20-10002B

<u>ITEM</u>	<u>PART NO.</u>	<u>DESCRIPTION</u>
1	24-00002N	.002 mfd. $\pm 10\%$ , 1K V. CERAMIC DISC CAP
2	25-10002N	RCA 121 OR SE 9301 TRANSISTOR <i>TIP 102</i>
3	25-00001N	1N4004 DIODE
4	23-00002N	330 ohm $\pm 5\%$ , 1/4 WATT RESISTOR
5	29-00004N	15 PIN HEADER
6	23-00003N	1.2K ohm $\pm 5\%$ , 1/4 WATT RESISTOR
7	23-00008N	100K ohm $\pm 5\%$ , 1/4 WATT RESISTOR
8	24-10001N	10 mfd. 16 VOLT AXIAL LYTIC CAP
9	24-00001N	.01 mfd. $\pm 10\%$ , 50 VOLT CERAMIC DISC CAP
10	23-10001N	470 ohm $\pm 5\%$ , 1/2 WATT RESISTOR
11	26-00005N	CA3081 OR ULN2081 I.C.
12	26-00004N	74154 INTEGRATED CIRCUIT
13	23-00005N	4.7K ohm $\pm 5\%$ , 1/4 WATT RESISTOR <i>3.3k</i>
14	SEE 3	
15	24-20001N	.1 mfd. $\pm 10\%$ , 100 VOLT MYLAR CAP
16	23-00006N	100 ohm $\pm 5\%$ , 1/4 WATT RESISTOR
17	21-00001N	4 PDT 24 VDC RELAY
18	29-00003N	6 PIN HEADER
19	29-50001N	RELAY SOCKET
20	06-90001N	RELAY HOLD DOWN SPRING
21	29-00001N	9 PIN HEADER

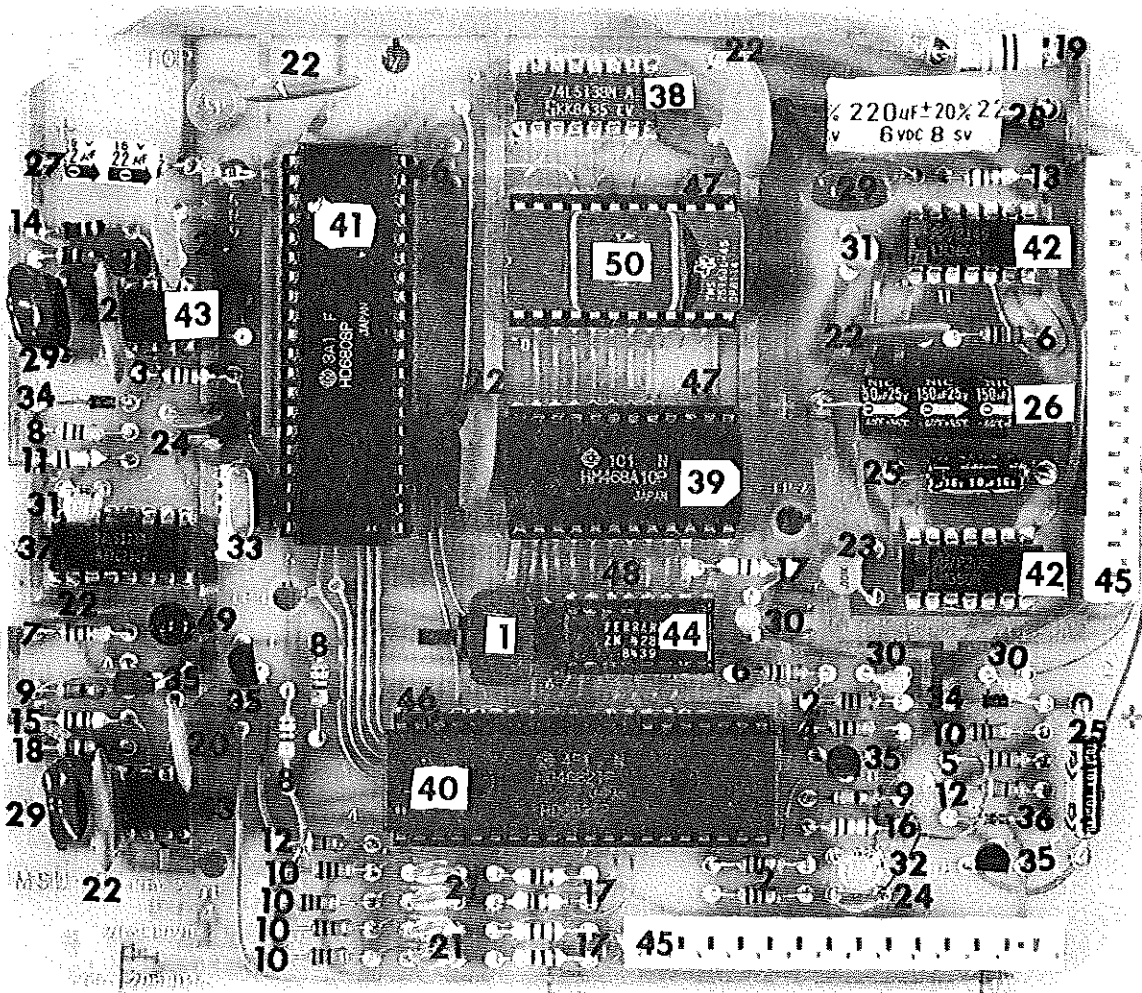
MPU-2 MICRO PROCESSOR UNIT  
20-10016C



MPU-2 MICRO PROCESSOR UNIT

<u>ITEM</u>	<u>PART NO.</u>	<u>DESCRIPTION</u>	<u>ITEM</u>	<u>PART NO.</u>	<u>DESCRIPTION</u>
1	20-00029C	MPU-2 P.C. BOARD	31	22-10003N	PUSHBUTTON SWITCH
2	29-00002N	15 PIN HEADER	32	31-10001N	LED
3	29-00001N	9 PIN HEADER	33	22-50001N	DIP SLIDE SWITCH
4	23-00020N	47K OHM 1/4 W. RES.	34	21-90001N	CRYSTAL (2.4567 MHZ)
5	23-00008N	100K OHM 1/4 W. RES.	35	26-00011N	74LS123 I.C.
6	23-00006N	100 OHM 1/4 W. RES.	36	26-60001N	LM339 I.C.
7	23-00016N	220K OHM 1/4 W. RES.	37	26-00007N	74LS04 I.C.
8	23-00004N	2.2K OHM 1/4 W. RES.	38	26-00006N	74LS00 I.C.
9	23-00013N	3.3 OHM 1/4 W. RES.	39	26-00010N	74LS32 I.C.
10	23-00002N	330 OHM 1/4 W. RES.	40	26-30001N	HM 6551-9 CMOS I.C.
11	23-00007N	22K OHM 1/4 W. RES.	41	29-50005N	22 PIN I.C. SOCKET
12	23-00021N	120K OHM 1/4 W. RES.	42	26-30010N	N CHANNEL RAM, 6810
13	23-00011N	1K OHM 1/4 W. RES.	43	29-50004N	24 PIN I.C. SOCKET
14	23-00005N	4.7K OHM 1/4 W. RES.	44	26-40002N	Z-80 CTC
15	23-00010N	270 OHM 1/4 W. RES.	45	29-50003N	28 PIN I.C. SOCKET
16	23-00012N	1.5K OHM 1/4 W. RES.	46	26-40001N	Z-80 CPU
17	24-00005N	.1 MFD 25V CER. CAP	47	29-50002N	40 PIN I.C. SOCKET
18	21-40002N	RF CHOKE	48		NOT USED
19	24-30001N	1 MFD 35V DIP. TAN. CAP	49	26-30272	MODEL 850 "A" ROM
20	24-00003N	.001 MFD 100V CER. CAP	50	26-30273	MODEL 850 "B" ROM
21	24-00001N	220 PFD 100V CER. CAP	51	26-40003N	8255 PIA
22	24-10001N	10 MFD. 16V AX. LYTIC CAP	52	26-00004N	74154 I.C.
23	24-10004N	22 MFD, 16V AX. LYTIC CAP	53	26-00009N	7417 I.C.
24	23-20002N	100 OHM 1 W. RES.	54	26-00012N	74LS138 I.C.
25	25-00002N	1N4148 DIODE	55	26-00002N	74LS379 I.C.
26	25-00001N	1N4004 DIODE	56	26-00008N	7416 I.C.
27	25-30003N	1N959B ZENER DIODE	57	24-00001N	.01 MFD 50V CER. CAP
28	25-10003N	2N4403 TRANSISTOR	58	26-10004N	74C32 I.C.
29	25-10004N	2N3904 TRANSISTOR	59	23-00019N	8.2K OHM RES.
30	21-90002N	BATTERY (3.6V NI CAD)	60	23-00024N	56K OHM RES.
			61		10K ohm 1/4 w
			62		89K ohm 1/4 w resistor

MSU-3  
MICRO SOUND UNIT  
20-10144



## MSU-3

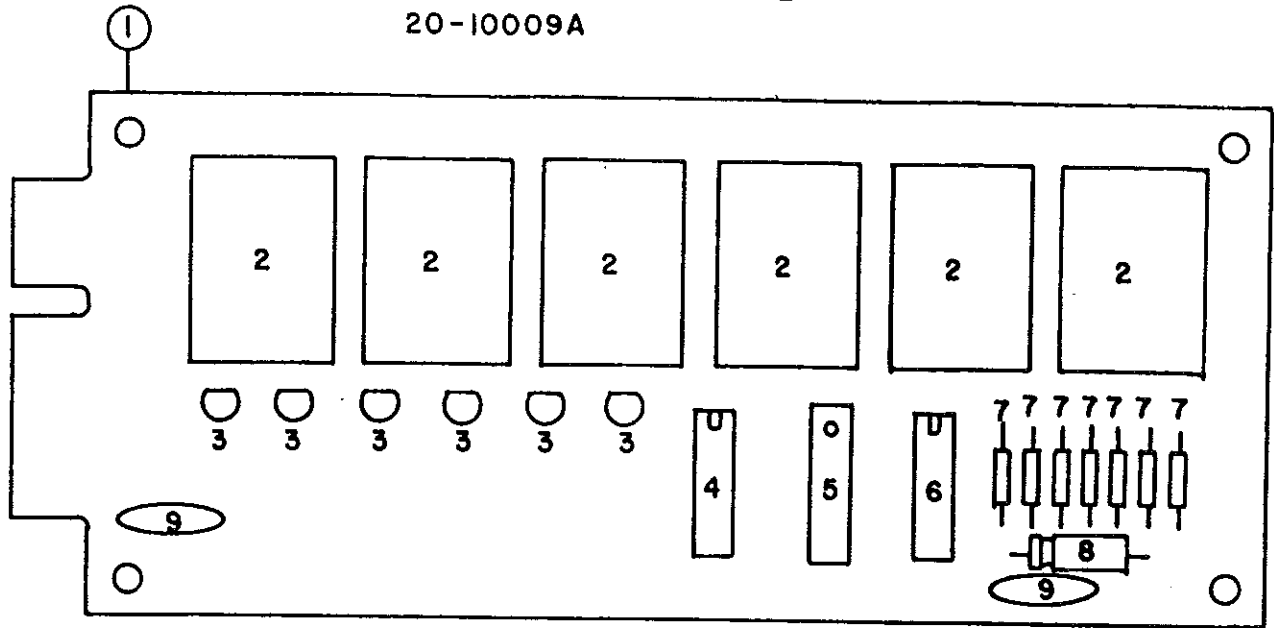
## MICRO SOUND UNIT

20-10144

<u>ITEM</u>	<u>PART NO.</u>	<u>DESCRIPTION</u>	<u>ITEM</u>	<u>PART NO.</u>	<u>DESCRIPTION</u>
1	22-10002N	PUSHBUTTON SWITCH	27	24-10004N	22MFD 16V AXIAL LYTIC CAP
2	23-00011N	1K OHM $\pm 5\%$ , $\frac{1}{4}$ WATT RESISTOR	28	24-10006N	250MFD, 15V NP " " "
3	23-00004N	2.2K OHM " " "	29	24-20001N	.1 MFD $\pm 10\%$ , 100V MYLAR CAP
4	23-00006N	100 OHM " " "	30	24-30001N	1 MFD $\pm 10\%$ 35V DIPPED TANTALUM
5	23-00007N	22K OHM " " "	31	24-30002N	10MFD $\pm 10\%$ 16V " "
6	23-00008N	100K OHM " " "	32	24-30003N	22 MFD $\pm 10\%$ , 10V" "
7	23-00010N	270 OHM " " "	33	21-90004N	3.579 MHZ. CRYSTAL
8	23-00013N	3.3K OHM " " "	34	25-00002N	IN4148 DIODE
9	23-00014N	6.8K OHM " " "	35	25-10004N	2N3904 TRANSISTOR
10	23-00015N	10K OHM " " "	36	25-30003N	IN959B ZENER DIODE
11	23-00016N	220K OHM " " "	37	26-00011N	74LS123 I.C.
12	23-00020N	47K OHM " " "	38	26-00012N	74LS138 I.C.
13	23-00022N	2.7 OHM " " "	39	26-30010N	6810 NMOS RAM
14	23-00025N	1M OHM " " "	40	26-40004N	6821 PIA
15	23-00026N	27K OHM " " "	41	26-40005N	6808 CPU
16	23-00027N	3.3M OHM " " "	42	26-60003N	LM380 I.C.
17	23-00035N	470 OHM " " "	43	26-60004N	555 I.C.
18	23-00047N	3.9K OHM " " "	44	26-60022N	ZN428E-8 I.C.
19	21-40002N	.22 UH 2A RF CHOKE	45	29-00004N	SL-156 15 PIN HEADER
20	24-00001N	.01 MFD $\pm 10\%$ 50V CERAMIC DISC	46	29-50002N	40 PIN I.C. SOCKET
21	24-00004N	680 PF $\pm 10\%$ , 100V	47	29-50004N	24 PIN I.C. SOCKET
22	24-00005N	.1 MFD $\pm 80/20\%$ , 25V " "	48	29-50009N	16 PIN I.C. SOCKET
23	24-00003N	.001 MFD $\pm 10\%$ , 100V " "	49	31-10001N	LED
24	24-00016N	39PF $\pm 10\%$ , 50V " "	50	26-30271	MOD 850 SOUND PROM
25	24-10001N	10MFD, 26V AXIAL LYTIC CAP	51	20-00098B	P.C. BOARD
26	24-10003N	150 MFD, 25V " " "			

BDU-1 BACKGLASS DISPLAY UNIT

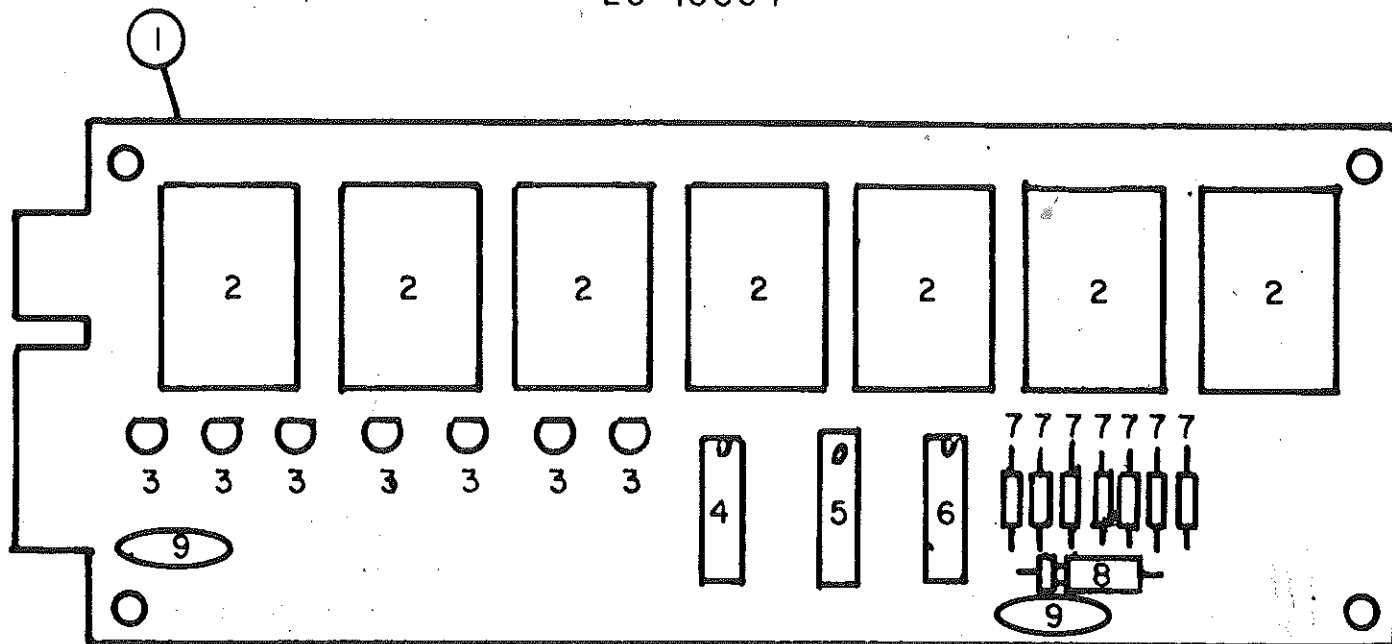
20-10009A



<u>ITEM</u>	<u>PART NO.</u>	<u>DESCRIPTION</u>
1	20-00008B	BDU-1 P.C. BOARD
2	31-20002N	.8" 7 SEGMENT DISPLAY
3	25-10006N	MPSA13 DARLINGTON TRANSISTOR
4	26-00002N	74LS379 INTEGRATED CIRCUIT
5	26-00001N	74LS48 INTEGRATED CIRCUIT
6	26-00003N	2003 INTEGRATED CIRCUIT
7	23-00001N	22 OHM $\pm$ 5%, 1/4 WATT RESISTOR
8	24-10001N	10 MFD, 16 VOLT AXIAL LYTIC CAP
9	24-00001N	.01 MFD $\pm$ 10%, 50 VOLT CERAMIC DISC CAP

BDU-2 BACKGLASS DISPLAY UNIT

20-10064



<u>ITEM</u>	<u>PART NO.</u>	<u>DESCRIPTION</u>
1.	20-00057B	BDU-2 P.C. BOARD
2	31-20002N	.8" 7 SEGMENT DISPLAY
3	25-10006N	MPSA13 DARLINGTON TRANSISTOR
4	26-00002N	74LS379 INTEGRATED CIRCUIT
5	26-00001N	74LS48 " "
6	26-00003N	2003 " "
7	23-00001N	22 OHM 5%, 1/4 WATT RESISTOR
8	24-10001N	10MFD, 16 VOLT AXIAL LYTIC CAP.
9	24-00001N	.01 MFD 10%, 50 VOLT CERAMIC DISC CAP.



# SOLE NOID SPECIFICATION CHART

	A	B	C	D	E	F
COIL NUMBER	BOBBIN	TUBE	WIRE GAGE-TYPE	NUMBER TURNS	RESISTANCE	DESIGN VOLTAGE
21-50001B	03-40002N 1.562	03-40008N 1.686	No. 24 MAGNET	850	4.75 $\Omega$	24 V.D.C.
21-50002B	03-40002N 1.562	03-40008N 1.686	No. 25 No. 27	400 1000	2.8 $\Omega$ 13.4 $\Omega$	24 V.D.C.
21-50003B	03-40002N 1.562	03-40008N 1.686	No. 25	1050	7.45 $\Omega$	24 V.D.C.
21-50004B	03-40002N 1.562	03-40027N	No. 29	2000	33.8 $\Omega$	24 V.D.C.
21-50005B	03-40002N 1.562	03-40008N 1.686	No. 27	1400	15.4 $\Omega$	24 V.D.C.
21-50006B	"	"	No. 28	1800	25.8 $\Omega$	24 V.D.C.
21-50007B	03-40037B	03-40038A	No. 24	1000	8 $\Omega$	24 V.D.C.
21-50008B	03-40002N	03-40008N	No. 22 No. 30	375 800	1.2 $\Omega$ 21.5 $\Omega$	24 V.D.C. 24 V.D.C.
21-50009B	03-40037B	03-40038A	No. 23	1100	6.2 $\Omega$	24 V.D.C.